



15 in. Oscillating Mini Tower Fan

OWNER'S MANUAL
Model # FC1-15-30



PLEASE READ AND SAVE THESE INSTRUCTIONS

15 IN. OSCILLATING MINI TOWER FAN

Thank you for choosing a Soleus Air fan. This owner's manual will provide you with valuable information necessary for the proper care and maintenance of your new product. Please take a few moments to thoroughly read the instructions and familiarize yourself with all the operational aspects of your new fan.

For your own records, please attach a copy of your sales receipt to this manual. Also, write the store name/location and date purchased below:

Store Name: _____

Location: _____

Date Purchased: _____

IMPORTANT SAFETY INSTRUCTIONS

When using this electric unit, basic safety precautions should always be followed to reduce the risk of fire, electric shock and personal injury, including the following:

- 1) Read all instructions before using this unit.
- 2) Use only for intended household use as described in this manual.
- 3) Plug the fan directly into a 120 V A/C electrical outlet.
- 4) Never insert your fingers, pencils, or other objects through the fan grill during operation.
- 5) The fan should be used on a stable and level surface.
- 6) Do not expose the fan to excessive heat or humidity. This could cause damage to the electrical components.
- 7) Do not immerse in any type of liquid. Do not use near water.
- 8) The fan should be kept out of the reach of children. Close supervision is necessary when the fan is used by or near children.
- 9) To reduce the risk of fire or explosion, do not store or use gasoline or other flammable vapors or liquids in the vicinity of the fan.
- 10) Do not operate this or any appliance with a damaged cord, if the unit malfunctions, or if it has been dropped or damaged in any manner. Connect to properly polarized outlets only.

- 11) Do not cover the cord or place near heat sources. Keep the cord away from high traffic areas, and do not submerge in water.
- 12) Unplug the fan before moving, cleaning or making repairs. NOTE: If for any reason this unit requires service, return appliance to manufacturer or a similarly qualified service agent to ensure safety.
- 13) To reduce the risk of fire or electric shock, do not use this fan with any solid-state speed control device.
- 14) To disconnect, grip plug and pull from wall outlet. Never pull on the cord to unplug.
- 15) For indoor use only.

WARNING: This fan is equipped with a polarized plug (one blade is wider than the other). The plug is intended to fit into a power outlet only one way, with the wide blade in the wide slot. This is a safety feature; if you are unable to insert the plug fully into the outlet, try reversing the plug. If the plug still does not fit, contact a qualified electrician.

DO NOT DEFEAT THE SAFETY PURPOSE OF THE POLARIZED PLUG.

TECHNICAL SPECIFICATIONS

Voltage Rating	120V, 60Hz
Power Consumption	35W (Max.)
Unit Size	6.3 in. (W) x 6.3 in. (D) x 15.3 in. (H)
Unit Weight	3.75 lbs

OPERATING INSTRUCTIONS

Set the fan on a stable, level surface. Plug the cord into a standard 120V A/C outlet.

POWERING ON THE FAN

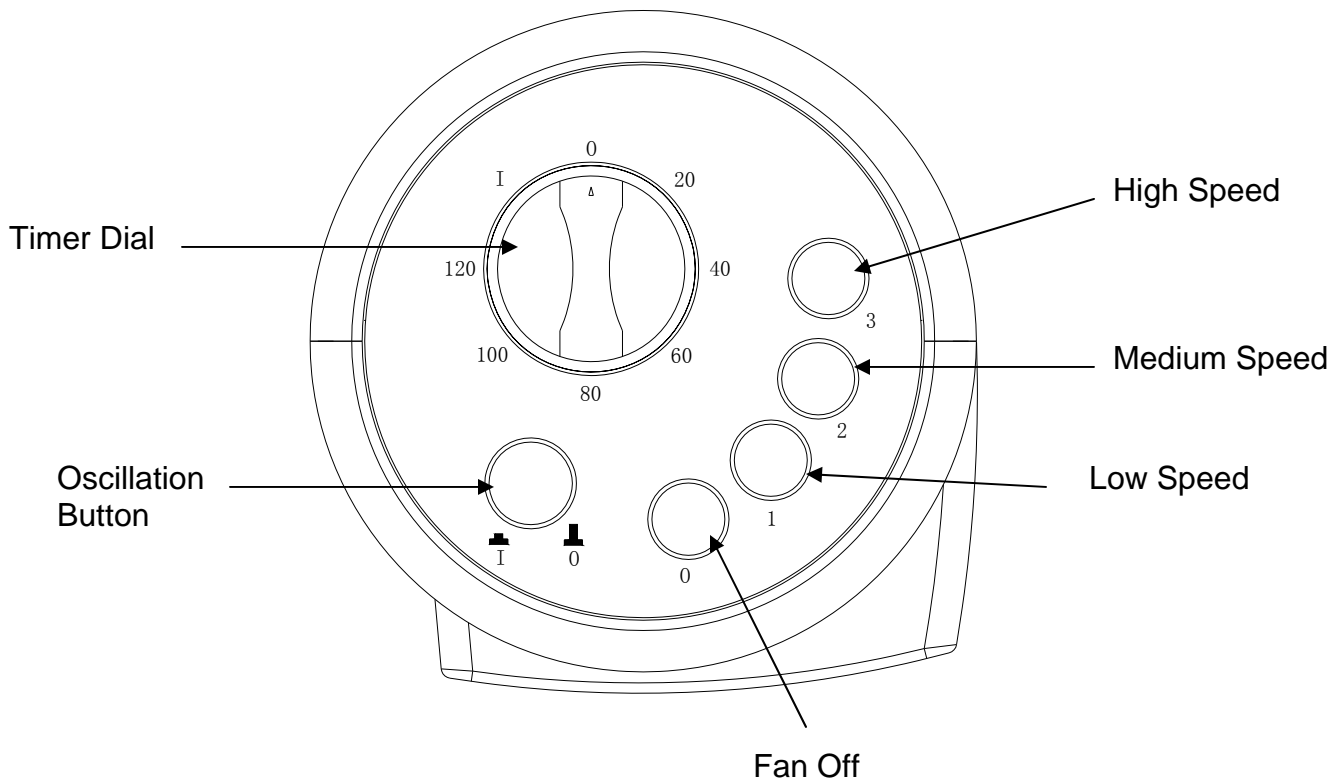
The fan can be turned on by setting the timer dial to "I" and pressing any of the "Speed Buttons". "1" is low, "2" is medium, and "3" is high speed. Pressing the "0" button will turn the fan off.

OSCILLATION BUTTON

The fan can operate in oscillation or stationary mode. Press the oscillation button down to start oscillation. To turn off oscillation, press the oscillation button again, and the button will pop-up.

TIMER DIAL

The fan can be programmed to automatically shut-off after a set period of time. The timer dial can be set for 20 minute increments. The maximum programmed time is 2 hours. Once the timer dial reaches "0", the fan will automatically shut-off.



CLEANING/MAINTENANCE

- Turn the fan off and unplug the unit.
- Clean the tower fan and base using a dry cloth.
- Never use abrasive cleaning agents or solvents. This may cause damage or deterioration to the surface of the unit.
- Do not immerse the fan in any form of liquid. Do not allow water to drip on or into the fan motor housing.

STORAGE

When not in use, store the fan in a cool, dry location. To prevent dust and dirt build-up, use the original packaging to repack the unit.

WARRANTY

One Year Limited Warranty

Soleus International Inc. warrants the accompanying Soleus Air FC1-15-30 to be free from defects in material and workmanship for the applications specified in its operation instruction for a period of ONE (1) year from the date of original retail purchase in the United States.

If the unit exhibits a defect in normal use, Soleus International, Inc. will, at its option, either repair or replace it, free of charge within a reasonable time after the unit is returned during the warranty period.

As a condition to any warranty service obligation, the consumer must present this Warranty Certificate along with a copy of the original purchase invoice.

This Warranty Does Not Cover

- 1) Damage, accidental or otherwise, to the unit while in the possession of a consumer not caused by a defect in material or workmanship.
- 2) Damage caused by consumer misuse, tampering, or failure to follow the care and special handling provisions in the instructions.
- 3) Damage to the finish of the case, or other appearance parts caused by wear.
- 4) Damage caused by repairs or alterations of the unit by anyone other than those authorized by Soleus International Inc.
- 5) Freight and Insurance cost for the warranty service.

ALL WARRANTIES, INCLUDING ANY IMPLIED WARRANTY OF MERCHANTABILITY ARE LIMITED TO A ONE-YEAR DURATION OF THIS EXPRESS LIMITED WARRANTY. **SOLEUS INTERNATIONAL, INC.** DISCLAIMS ANY LIABILITY FOR CONSEQUENTIAL OR INCIDENTAL DAMAGES AND IN NO EVENT SHALL SOLEUS INTERNATIONAL INC'S LIABILITY EXCEED THE RETAIL VALUE OF THE UNIT FOR BREACH OF ANY WRITTEN OR IMPLIED WARRANTY WITH RESPECT TO THIS UNIT.

This warranty covers only new products purchased from our authorized dealers or retailers. It does not cover used, salvaged, or refurbished products.

As some states do not allow the limitation or exclusion of incidental or consequential damages, or do not allow limitation on implied warranties, the above limitations and exclusions may not apply to you. This warranty gives you specific legal rights, and you may also have other rights that vary from state to state.

For Technical Support and Warranty Service, call 1-888-8-SOLEUS, or go to www.soleusair.com

Or Write To:

Soleus International Inc.
20035 E. Walnut Dr. North
City of Industry, CA, 91789
www.soleusair.com

Free Manuals Download Website

<http://myh66.com>

<http://usermanuals.us>

<http://www.somanuals.com>

<http://www.4manuals.cc>

<http://www.manual-lib.com>

<http://www.404manual.com>

<http://www.luxmanual.com>

<http://aubethermostatmanual.com>

Golf course search by state

<http://golfingnear.com>

Email search by domain

<http://emailbydomain.com>

Auto manuals search

<http://auto.somanuals.com>

TV manuals search

<http://tv.somanuals.com>