



Dual Column Reflective Heater

OWNER'S MANUAL
Model # MS-23S



PLEASE SAVE THESE INSTRUCTIONS
WARNING: READ THIS OWNER'S MANUAL CAREFULLY BEFORE USE.

DUAL COLUMN REFLECTIVE HEATER

Thank you for choosing a Soleus Air heater. This owner's manual will provide you with valuable information necessary for the proper care and maintenance of your new product. Please take a few moments to thoroughly read the instructions and familiarize yourself with all the operational aspects of your new heater.

For your own records, please attach a copy of your sales receipt to this manual. Also, write the store name/location, date purchased, and serial number below:

Store Name: _____

Location: _____

Date Purchased: _____

Serial Number (located on back of unit): _____

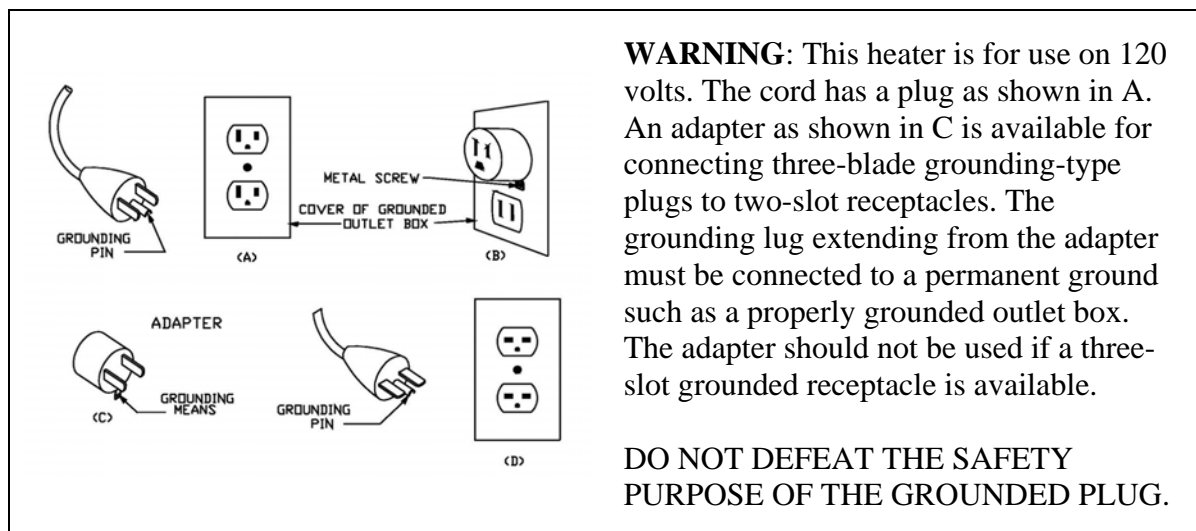
WARNINGS

When using this electric unit, basic safety precautions should always be followed to reduce the risk of fire, electric shock, and injury to persons, including the following:

1. Read ALL instructions before using this unit.
2. Keep the heater at least 6.5 ft (2 meters) away from televisions, radios, and other electronic appliances.
3. CAUTION: Risk of Electric Shock. DO NOT open or try to repair the heater yourself.
4. This heater is hot when in use. To avoid burns, DO NOT let bare skin touch hot surfaces. If provided, use handles when moving this heater.
5. Keep combustible materials, such as furniture, pillows, bedding, paper, clothes, and curtains at least 3 ft from the front of the heater and keep them away from the sides and rear. In oscillation mode, keep combustible materials at least 3 ft from the front, sides, and rear of the heater. DO NOT place towels or other objects on the heater.
6. Extreme caution is necessary when any heater is used by or near children or the disabled, or when the heater is left operating and unattended.
7. DO NOT operate any heater with a damaged cord or after the heater malfunctions, has been dropped or damaged in any manner. Return heater to authorized service facility for examination, electrical or mechanical adjustment, or repair.
8. This heater is not intended for use in bathrooms, laundry areas and similar indoor locations. NEVER locate heater where it may fall into a bathtub or other water container. To protect against electrical hazards, DO NOT immerse in water or other liquids.
9. DO NOT touch the control panel or plug with a wet hand.
10. DO NOT run cord under carpeting. DO NOT cover cord with throw rugs, runners, or

similar coverings. Arrange cord away from traffic area and where it will not be tripped over.

11. DO NOT insert or allow foreign objects to enter any ventilation or exhaust opening as this may cause an electric shock or fire, or damage the heater.
12. To prevent a possible fire, DO NOT block air intakes or exhaust in any manner. DO NOT use on soft surfaces, like a bed, where openings may become blocked.
13. A heater has hot and arcing or sparking parts inside. DO NOT use in areas where gasoline, paint, explosive and/or flammable liquids are used or stored. Keep unit away from heated surfaces and open flames.
14. Avoid the use of an extension cord because the extension cord may overheat and cause a risk of fire.
15. To avoid fire or shock hazard, plug the unit directly into a 115 V AC electrical outlet.
16. To disconnect heater, turn controls to OFF, then remove plug from outlet. Pull firmly on the plug, DO NOT unplug by pulling on the cord.
17. Always unplug the unit before moving or cleaning, or whenever the heater is not in use.
18. Use only for intended household use as described in this manual. Any other use not recommended by the manufacturer may cause fire, electric shock, or injury to persons. The use of attachments not recommended or sold by unauthorized dealers may cause hazards.
19. Always use on a dry, level surface.
20. DO NOT use outdoors.
21. **WARNING:** To reduce the risk of fire or electric shock, DO NOT use this unit with any solid-state speed control device.
22. DO NOT attempt to repair or adjust any electrical or mechanical functions on this unit. Doing so will void your warranty. The inside of the unit contains no user serviceable parts. Qualified personnel should perform all servicing only.



PRODUCT INFORMATION

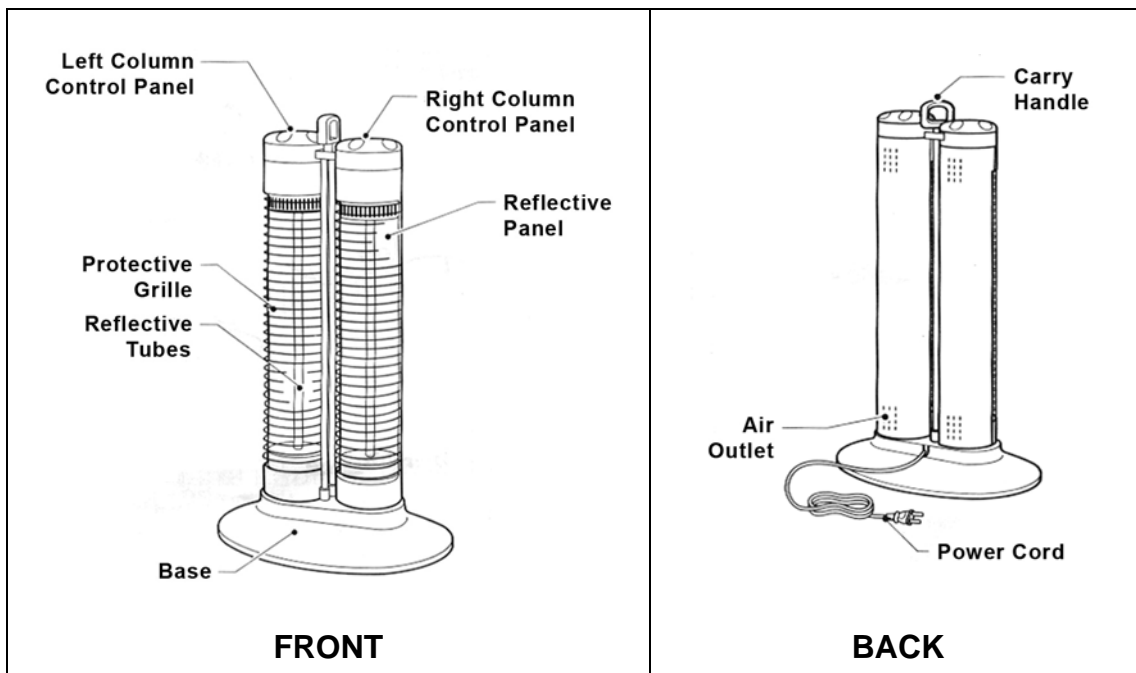
Reflective heating technology replicates the sun's healthy rays, directly warming the object or person in front of the heater. As the temperature of the heated surface rises, the warming effect is felt throughout the air and surrounding areas. Reflective heaters are great for open or large rooms, and actually save you energy by warming objects and not the entire room.

Reflective heating is both safe and healthy— it produces no odors, chemicals, or fumes, and doesn't stir up dust. As a safety feature, the heater's exterior does not get as warm to reduce the risk of burns from anyone or anything touching the heater while in use. Remarkably efficient, our heater uses less power to create the same amount of heat as traditional heaters. Equipped with safety tip-over switch and overheat auto-off, our heater is safe and reliable.

SPECIFICATIONS

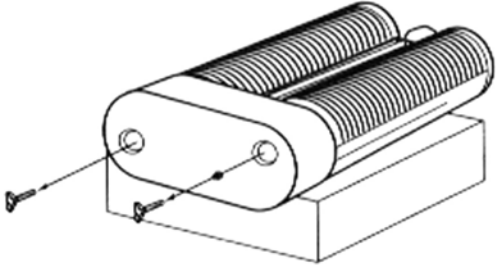
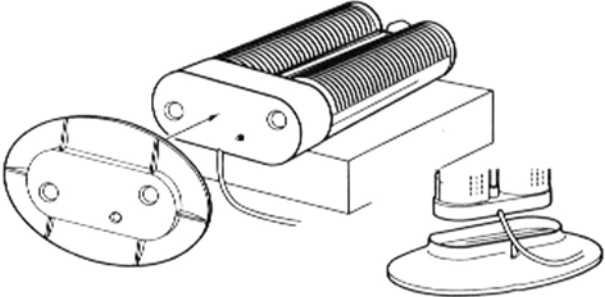
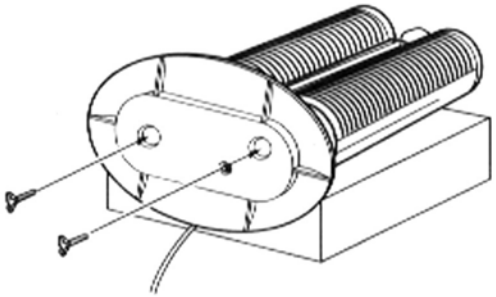
Voltage Rating	120 V (60Hz)
Power Consumption	1000W on High, 500W on Low
Unit Size	15.8“(W) x 11”(D) x 27.5“(H)
Unit Weight	9 lbs

PRODUCT DIAGRAM



* Diagram may differ slightly from actual product.

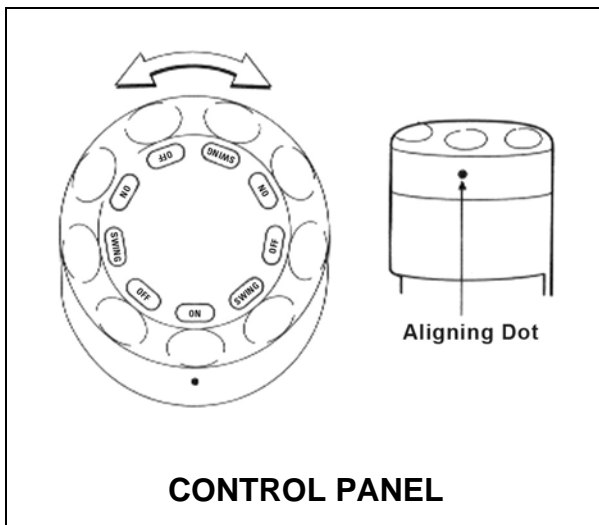
ASSEMBLY

	<ol style="list-style-type: none">1. Remove the heater body and base from the box. Remove the packaging materials and keep for future storage.2. Lay the heater body on a level surface, with the bottom overhanging the edge. Remove the screws from the bottom of the heater body.
	<ol style="list-style-type: none">3. Slide the base over the bottom of the heater body, aligning the cord with the slot in the back of the base. The tip-over safety switch should protrude out the bottom of the base.
	<ol style="list-style-type: none">4. Attach the base to the heater body with the screws.

OPERATING INSTRUCTIONS (See diagram below)

1. Place the heater on a firm, level surface and plug into a grounded 115V 60Hz power outlet.
2. Each column has a separate control panel at the top. To turn a column on, rotate the respective control panel to the right or left so ON aligns with the dot on the front of the unit. Each column produces 600W of heat.
3. To operate the oscillation function, rotate the control panel so SWING aligns with the dot on the front. Each tower can oscillate independently. The unit can heat in one direction by rotating the control panel to swing, then rotating the control panel back to ON when the heater is facing the desired direction. **WARNING: DO NOT** stop the oscillation function of the heater by force. **DO NOT** change the direction by force when the heater is off.

4. To turn heater off, rotate each control panel so OFF aligns with the dot on the front. Unplug the heater when not in use.



NOTE: For safety, if the heater's internal temperature rises above a certain point, the heater is designed to automatically shut off. To restart the heater in this situation:

1. Rotate both control panels to OFF.
2. Unplug the power cord from the outlet and allow the heater to cool for at least 10 minutes.
3. Plug the power cord back into the outlet. Rotate the control panel to the desired setting.

WARNING: It is normal for the power cord to feel warm to the touch; however, a loose fit between the outlet and the plug may cause overheating of the plug. If this occurs, try inserting the plug into a different outlet. Contact a qualified electrician to inspect the original outlet for damage.

MAINTENANCE

1. Unplug the unit and let it cool completely.
2. To keep the heater clean, the outer shell may be cleaned with a soft, damp cloth. You may use a mild detergent if necessary. After cleaning, dry the unit with a soft cloth.
CAUTION: DO NOT let liquid enter the heater.
3. **DO NOT** use alcohol, gasoline, abrasive powders, furniture polish, or rough brushes to clean the heater. This may cause damage or deterioration to the surface of the heater.
4. **DO NOT** immerse the heater in water.
5. Wait until the unit is completely dry before use.

STORAGE

Store the heater in a cool, dry location when not in use. Preferably, to prevent dust and dirt build-up, use the old packaging to repack the unit.

TROUBLESHOOTING

If the heater will not operate, please check the following before seeking repair of service:

1. Check if the power cord is plugged into an electrical outlet, if not, plug in.
2. Check if electricity to the main fuse is working.
3. Check if the heater is set to ON or SWING by confirming the text on the control panel is aligned with the dot on the front of the unit. If not, rotate the control panel to ON or SWING to turn on.
4. Check if the heater is on a level surface. If the tip-over safety switch is not pushed in, the heater will not run.

WARRANTY

One Year Limited Warranty

Soleus International Inc. warrants the accompanying Soleus Air MS-23S to be free of defects in material and workmanship for the applications specified in its operation instruction for a period of ONE (1) year from the date of original retail purchase in the United States or Canada.

If the unit exhibits a defect in normal use, Soleus International Inc. will, at its option, either repair or replace it, free of charge within a reasonable time after the unit is returned during the warranty period.

As a condition to any warranty service obligation, the consumer must present this Warranty Certificate along with a copy of the original purchase invoice.

THIS WARRANTY DOES NOT COVER:

- 1) Damage, accidental or otherwise, to the unit while in the possession of a consumer not caused by a defect in material or workmanship.
- 2) Damage caused by consumer misuse, tampering, or failure to follow the care and special handling provisions in the instructions.
- 3) Damage to the finish of the case, or other appearance parts caused by wear.
- 4) Damage caused by repairs or alterations of the unit by anyone other than those authorized by Soleus International Inc.
- 5) Freight and Insurance cost for the warranty service.

ALL WARRANTIES, INCLUDING ANY IMPLIED WARRANTY OF MERCHANT ABILITY ARE LIMITED TO ONE-YEAR DURATION OF THIS EXPRESS LIMITED WARRANTY. **SOLEUS INTERNATIONAL INC. DISCLAIMS ANY LIABILITY FOR CONSEQUENTIAL OR INCIDENTAL DAMAGES AND IN NO EVENT SHALL SOLEUS INTERNATIONAL INC'S LIABILITY EXCEED THE RETAIL VALUE OF THE UNIT FOR BREACH OF ANY WRITTEN OR IMPLIED WARRANTY WITH RESPECT TO THIS UNIT.**

As some states do not allow the limitation or exclusion of incidental or consequential damages, or do not allow limitation on implied warranties, the above limitations and exclusions may not apply to you. This warranty gives you specific legal rights, and you may also have other rights that vary from state to state.

For Warranty, Technical Support, Customer Service, Missing or Defective Parts

Please Call (888) 876-5387

Or Write To:

Soleus International Inc.
9451 Telstar Ave.
El Monte, CA 91731 USA
www.soleusair.com

Free Manuals Download Website

<http://myh66.com>

<http://usermanuals.us>

<http://www.somanuals.com>

<http://www.4manuals.cc>

<http://www.manual-lib.com>

<http://www.404manual.com>

<http://www.luxmanual.com>

<http://aubethermostatmanual.com>

Golf course search by state

<http://golfingnear.com>

Email search by domain

<http://emailbydomain.com>

Auto manuals search

<http://auto.somanuals.com>

TV manuals search

<http://tv.somanuals.com>