



**MC-88
MC-88M
MC-88S
MC-88SB**

Party Fridge

Indoor / Outdoor Refrigerator

Owner's Manual



Please read these instructions carefully before operating this appliance. When using this appliance, always exercise basic safety precautions.

This easy-to-use manual will guide you in getting the best use of your Party Fridge.

Please complete the following information for future reference. You will need it to obtain warranty service.

Model Number
MC-88/ MC-88M/ MC-88S/MC-88SB

Serial Number*: _____

Date of Purchase: _____

Place of Purchase: _____

*The Serial number is located on the back of the unit. Retain this Owner's Manual with your sales receipt as a permanent record of your purchase.

Customer Service:
1-888-876-5387
9451 Telstar Avenue
El Monte, California 91731
www.soleusair.com

TABLE OF CONTENTS

	PAGE
Table of Contents	2
Important Safeguards	3
Package Contents	4
Product Diagram	5
Installing Your Party Fridge	6
How to Operate	6
Fridge Maintenance & Cleaning	7
Technical Specifications	8
Contact Information	8
Warranty	9

Thank you for purchasing the Soleus Air MC-88/MC-88M/MC-88S/MC-88SB Party Fridge. This unit is designed to improve your comfort. With its whisper quiet operation and attractive design, you will enjoy the convenience and comfort that this unit provides for many years to come.

IMPORTANT SAFEGUARDS

Before you use your Party Fridge, please read this owner's manual carefully.

This appliance is for HOUSEHOLD use only. It is not designed for commercial or rental purposes.

This device must be properly installed in accordance with the installation instructions before it is used.

Never unplug your Party Fridge by pulling on the power cord. Always grasp the plug firmly and pull straight out from the outlet.

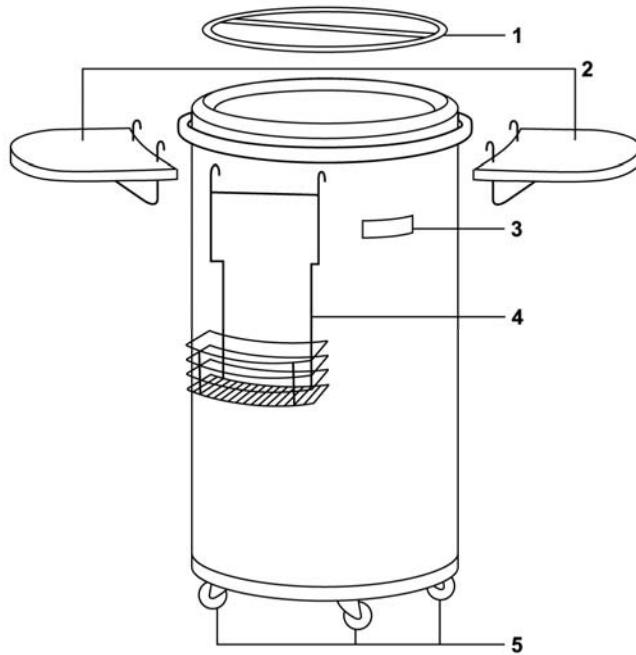
- 1) Repair or replace immediately, all electric service cords that have become frayed or otherwise damaged. Do not use a cord that shows cracks or abrasion damage along its length, the plug or the connector end.
- 2) Unplug your Party Fridge before cleaning or before making any repairs. **NOTE:** *If for any reason this product requires service, we strongly recommend that a certified technician perform the service.*
- 3) Do not operate your Party Fridge in the presence of explosive fumes.
- 4) The power supply must be properly grounded.
- 5) If it is necessary to use an extension code, be sure that the cord is (1)No. 14 AWG minimum size and rated no less than 1500 W; (2)UL listed, (3)As short as possible and connecting nor more than 1 extension code.
- 6) Do not use the unit in the immediate surroundings of a bath, shower or swimming pool.
- 7) Before discarding or storing, we recommend that you remove the door and leave the shelves in place. This will reduce the possibility of danger to children.

- 8) Do not expose this appliance directly under the sun or rain. Do not use the unit at outdoor for a prolonged time. Store the unit indoor when not in use.
- 9) Please do not place heavy objects near the center of the serving table to avoid unbalancing.

PACKAGE CONTAINS:

Mobile Party Fridge
Transparent tip-up Lid
Two Interior Baskets
Two Side Caddies
Two serving tables
User's Manual

PARTS AND FEATURES



1. Transparent Lift-Off Lid
2. Detachable Polymer Serving Tables
3. Digital Temperature Control
4. Hanging, Detachable Bottle Caddy (includes 2)
5. Ball Bearing Casters

INSTALLATION BEFORE USE

It is advisable to clean the inside of the Party Fridge with lukewarm water using a mild detergent, and then to dry it thoroughly prior to use.

The temperature in the fridge will depend on:

- The temperature in the surrounding area
- The frequency and duration when the lid is open.
- Contents in the fridge

Therefore length of the time may vary for the unit to reach the desired temperature set by a user.

The refrigeration system of the cabinet is designed to operate with the cabinet located on a flat surface. Avoid tilting the cabinet side.

If the cabinet must be tilted on an angle for handling or moving purposes, allow it to sit in an upright position 20 to 30 minutes prior to plugging it in and starting the cooling of the storage compartment.

HOW TO OPERATE PARTY FRIDGE

1. Insert power plug into wall outlet
2. Press power button on front (right of digital display) to turn on Fridge
3. Press the thermostat button on front (left of digital display) to adjust the desired temperature for the Fridge. The display will flash during the adjustment. The thermostat ranges from 39 – 59 degrees F. During normal use, the display will show the average temperature inside of fridge.

Suggested temperature control:

Beer and Soda: 39 degrees F, White Wine: 45 - 50 degrees F, Red Wine: 55 – 60 Degrees F.

Proper Party Fridge Care and Cleaning

Warning: To avoid electric shock always unplug you party fridge before cleaning and moving. Ignoring this warning may result in injury.

General: Do not use harsh chemicals, abrasives, ammonia, chlorine bleach, concentrated detergents, solvents or metal scouring pads. SOME of these chemicals may dissolve, damage and/or discolor your party fridge.

- 1) Remove the contents of the appliance
- 2) Wipe the inside and outside with surfaces with a damp cloth. The addition of vinegar to the water is good for the prevention of mold and fungus.
- 3) Take the lid apart as shown on the drawing and clean it.
- 4) Clean the detachable bottom and the lid parts with lukewarm water and detergent.
- 5) Wipe all parts thoroughly after the cleaning.
- 6) Turn the slits in the sealing ring and in the hinge rubber strip downward when assembling the lid.

IMPORTANT:

When the Party Fridge is not in use it must be completely dry inside to avoid mold growth (if possible have the lid open).

TECHNICAL SPECIFICATIONS

MODEL	MC-88, MC-88M, MC-88S
POWER SUPPLY	115V - 60Hz
RATED CURRENT	1.7A
TEMPERATURE	39 - 61F
STANDBY COOLING TIME	5-10 HOURS
DIMENSIONS	20" ROUND / 32.5" TALL
WEIGHT	51.5 LBS.

ALL INFORMATION AND THE TECHNICAL SPECIFICATIONS PRESENTED IN THIS USER'S MANUAL ARE THE PRESENTATION OF THE MANUFACTURER. SOLEUS INTERNATIONAL HAS NOT CONDUCTED INDEPENDENT TESTS ON THE INFORMATION AND THE SPECIFICATIONS PRESENTED HEREWITHIN.

CONTACT INFORMATION

Contact For: Replacement Parts
Technical Support
Warranty Claim
Customer Service

Soleus International Inc.
9451 Telstar Ave.
El Monte, CA 91731 USA
(888) 876-5387
www.soleusair.com

ONE YEAR LIMITED WARRANTY

Soleus International Inc. warrants the accompanying Soleus Air MC-88/MC-88M/MC-88S Party Fridge to be free of defects in material and workmanship for the applications specified in its operation instruction for a period of ONE (1) year from the date of original retail purchase in the United States.

If the Party Fridge exhibits a defect in normal use, Soleus International Inc. will, at its option, either repair or replace it, free of charge within a reasonable time after the party fridge is returned during the warranty period.

As a condition to any warranty service obligation, the consumer must present this Warranty Certificate along with a copy of the original purchase invoice.

THIS WARRANTY DOES NOT COVER:

- 1) Damage, accidental or other wise, to the party fridge while in the possession of a consumer not caused by a defect in material or workmanship;
- 2) Damage caused by consumer misuse, tampering, or failure to follow the care and special handling provisions in the instructions.
- 3) Damage to the finish of the case, or other appearance parts caused by wear.
- 4) Damage caused by repairs or alterations of the party fridge by anyone other than authorized by Soleus International Inc.
- 5) Freight and Insurance cost for the warranty service.

ALL WARRANTIES, INCLUDING ANY IMPLIED WARRANTY OF MERCHANTABILITY ARE LIMITED TO ONE-YEAR DURATION OF THIS EXPRESS LIMITED WARRANTY. SOLEUS INTERNATIONAL INC. DISCLAIMS ANY LIABILITY FOR CONSEQUENTIAL OR INCIDENTAL DAMAGES AND IN NO EVENT SHALL SOLEUS INTERNATIONAL INC.'S LIABILITY THAT EXCEEDS THE RETAIL VALUE OF PARTY FRIDGE FOR BREACH OF ANY WRITTEN OR IMPLIED WARRANTY WITH RESPECT TO THIS PARTY FRIDGE.

Free Manuals Download Website

<http://myh66.com>

<http://usermanuals.us>

<http://www.somanuals.com>

<http://www.4manuals.cc>

<http://www.manual-lib.com>

<http://www.404manual.com>

<http://www.luxmanual.com>

<http://aubethermostatmanual.com>

Golf course search by state

<http://golfingnear.com>

Email search by domain

<http://emailbydomain.com>

Auto manuals search

<http://auto.somanuals.com>

TV manuals search

<http://tv.somanuals.com>