

INSTRUCTION MANUAL

SM SERIES MOUNTING PLATE



Introduction

Thank you for purchasing Sonance SM-Series Mounting Plates. This innovative mounting system eases installation by attaching directly to a J-Box in the ceiling, eliminating the need to cut a mounting hole for the speaker.

Box Contents

Item	Quantity (SM55 Plate)	Quantity (SM55SST Plate)
SM Mounting Plates	2	1
Plastic terminal covers (attached to the Mounting Plates)	2	1
1½" x 6-32 flat-head screws	4	2

Before Installation

1. Determine the location for the speaker (refer to the speaker instruction manual for details).
2. The Mounting Plate installs onto a single or double J-box that has already been mounted on the wall or ceiling.
 - The Mounting Plate allows the speaker to be installed after the wall or ceiling has been finished.

Installation

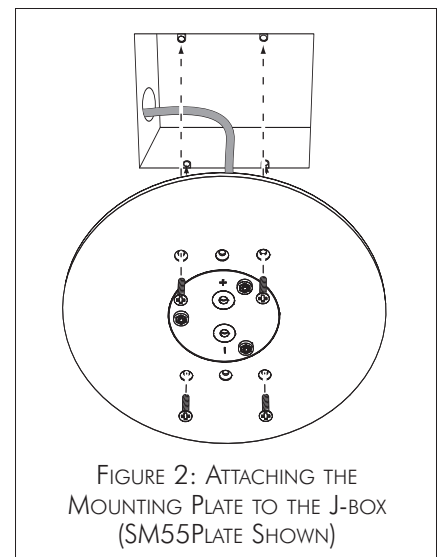
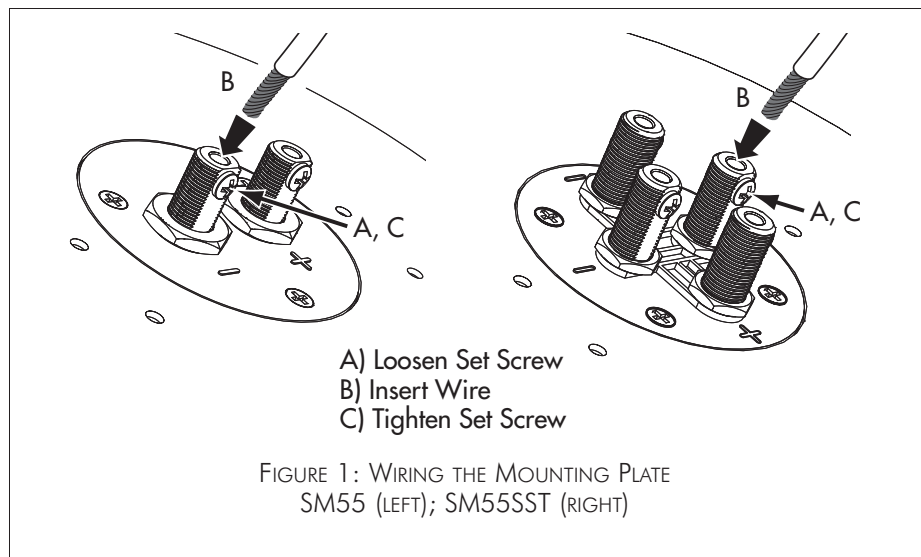
1. Run speaker wires through the wall, ceiling or conduit, from the amplifier into the J-Box. Mark the wire's "+" and "-" leads.
 - Consult local building codes before running speaker wires through walls or ceilings.
2. Bring the speaker wires through the J-Box and attach them to the binding posts on the back of the Mounting Plate. The SM55 Mounting Plates have two binding posts; the SM55SST Mounting Plates have four binding posts (see Figure 1). The binding posts will accept banana plugs or bare wire.

Be sure to connect amplifier "+" to the Mounting Plate's "+" terminal, and amplifier "-" to the Mounting Plate's "-" terminal.

- Loosen the set screw on the binding post, insert the plug or wire, then tighten the set screw to secure the wire.

IMPORTANT: When using bare wire, be sure that no stray "+" and "-" strands touch each other. (Stray strands that touch each other can cause a short-circuit that can damage the amplifier.)

3. Use the included 1½" x 6-32 flat head screws to attach the Mounting Plate to the J-Box. (See Figure 2.)
 - Use two screws for a single-gang J-Box; use four screws for a double-gang J-Box.
4. The Mounting Plate is fitted with a paint plug that protects the speaker terminals if the ceiling is painted after the Plate is installed. Remove the paint plug before installing the speaker.
5. To install the speaker, refer to the speaker's instruction manual.



Technical Assistance and Service

If you any have questions about the operation or installation of this product, please call our Technical Assistance Department on any business day at (800) 582-0772 or (949) 492-7777; from 7 a.m. to 5 p.m., PST.

If your speakers should need repair or service, contact your Sonance Authorized Dealer for help, or use the following procedure:

1. Prior to calling, note the product's model number, serial number, purchase date, and the name and address of the dealer where you purchased the product.
2. Contact our Technical Assistance Department at the above number(s) and describe the problem the unit is experiencing. If applicable, they will issue a Return Authorization Number.

IMPORTANT: YOU MUST HAVE PRIOR AUTHORIZATION TO RETURN YOUR SPEAKER TO SONANCE!

3. If you're directed to return the unit to Sonance for repair, pack the unit in its original shipping carton. If needed, you can obtain replacement packaging from us for a small charge. Note: it is best if you place the box into an additional outer "overcarton" before shipment to minimize a chance of theft in shipment. Please include a copy of the original bill of sale inside the package.
4. Contact a package delivery company such as United Parcel Service or Federal Express to arrange prepaid (not collect) shipping. Do not use the U.S. Postal Service.

IMPORTANT: Freight collect shipments will be refused.

5. Write the Return Authorization Number on the outside of the shipping carton.

6. Ship the packaged unit to:

**Quality Assurance Department
Sonance
212 Avenida Fabricante
San Clemente, CA 92672-7531**

Limited Lifetime Warranty Coverage (U.S. Only)

Sonance warrants to the original retail purchaser only that this Sonance product will be free from defects in materials and workmanship, provided the speaker was purchased from a Sonance Authorized Dealer.

Defective products must be shipped, together with proof of purchase, prepaid insured to the Authorized Sonance Dealer from whom they were purchased, or to the Sonance factory at the address listed on this instruction manual. Freight collect shipments will be refused. It is preferable to ship this product in the original shipping container to lessen the chance of transit damage. In any case, the risk or loss or

damage in transit is to be borne by the purchaser. If upon examination at the factory or Authorized Sonance Dealer it is determined that the unit was defective in materials or workmanship at any time during this warranty period, Sonance or the Authorized Sonance Dealer will, at its option, repair or replace this product at no additional charge, except as set forth below. If this model is no longer available and can not be repaired effectively, Sonance, at its sole option, may replace the unit with a current model of equal or greater value. In some cases where a new model is substituted, a modification to the mounting surface may be required. If mounting surface modification is required, Sonance assumes no responsibility or liability for such modification. All replaced parts and product become the property of Sonance. Products replaced or repaired under this warranty will be returned to the original retail purchaser, within a reasonable time, freight prepaid.

This Warranty does not include service or parts to repair damage caused by accident, disaster, misuse, abuse, negligence, inadequate packing or shipping procedures, commercial use, voltage inputs in excess of the rated maximum of the unit, or service, repair or modification of the product which has not been authorized or approved by Sonance. This Warranty also excludes normal cosmetic deterioration caused by environmental conditions. This Warranty will be void if the Serial Number on the product has been removed, tampered-with or defaced. This Warranty is in lieu of all other expressed warranties. If the product is defective in materials or workmanship as warranted above, the purchaser's sole remedy shall be repair or replacement as provided above. In no event will Sonance be liable for any incidental or consequential damages arising out of the use or inability to use the product, even if Sonance or an Authorized Sonance Dealer has been advised of the possibility of such damages, or for any claim by any other party.

Some states do not allow the exclusion or limitation of consequential damages, so the above limitation and exclusion may not apply. All implied warranties on the product are limited to the duration of this expressed Warranty. Some states do not allow limitation on the length of an implied warranty. If the original retail purchaser resides in such a state, this limitation does not apply.

Exclusions And Limitations

The warranty set forth above is in lieu of all other warranties, express or implied, of merchantability, fitness for a particular purpose, or otherwise. The warranty is limited to Sonance products registered herein and specifically excludes any damage to loudspeakers and other allied or associated equipment which may result for any reason from use with this product. Sonance shall, in no event, be liable for incidental or consequential damages arising from any breach of this warranty or otherwise. This warranty gives you specific legal rights, and you may have other rights which vary from state to state.



©2008 Sonance. All rights reserved. Sonance is a registered trademark of Dana Innovations.

Due to continuous product improvement, all features and specifications are subject to change without notice.

For the latest Sonance product specification information visit our website: www.sonance.com

SONANCE • 212 Avenida Fabricante • San Clemente, CA 92672-7531 USA

(800) 582-7777 or (949) 492-7777 • FAX: (949) 361-5151 • Technical Support: (800) 582-0772

www.sonance.com

Free Manuals Download Website

<http://myh66.com>

<http://usermanuals.us>

<http://www.somanuals.com>

<http://www.4manuals.cc>

<http://www.manual-lib.com>

<http://www.404manual.com>

<http://www.luxmanual.com>

<http://aubethermostatmanual.com>

Golf course search by state

<http://golfingnear.com>

Email search by domain

<http://emailbydomain.com>

Auto manuals search

<http://auto.somanuals.com>

TV manuals search

<http://tv.somanuals.com>