



Sonance Symphony®
S623SSTR Speaker



Sonance Symphony® Series

Single-StereoTechnology® and SRS1

Sonance Symphony SSTR® speakers feature Single-Stereo Technology® that combines the outputs of your amplifier's left and right stereo channels to play both signals from just one speaker. The Single-Stereo Technology line now includes a rectangular model (S623SST) that expands installation opportunities.

Symphony SST/SSTR speakers are ideal for use in hallways, bathrooms, closets, or any location where a pair of stereo speakers would be impractical. Their innovative fully-pivoting design delivers outstanding musical performance from a wide variety of challenging installation locations.

The SRS1 is designed to create a diffuse, enveloping soundfield that is ideal for home theater surround channel applications.

Features:

- **SSTR/SST models feature Single Stereo Technology® — reproducing left & right stereo channels from a single speaker — ideal for use in areas where space is limited.**
- **Round (-SSTR) and rectangular (-SST) foot-prints provide installation flexibility to compliment a wide variety of décor.**
- **Fully-pivoting woofers (SSTR/SRS1) direct the sound at listeners for clear sound even when speaker placement options are limited.**
- **A 3-position tweeter adjustment switch lets you balance the speaker's high-frequency energy to better compliment your room's setup and acoustics (S623SSTR).**
- **SRS1 creates a diffuse, enveloping soundfield that is ideal for home theater surround channel use.**
- **The RotoLock® mounting system makes installation quick and easy.**
- **Exclusive new FastMount® tabs hold speaker in the mounting hole during installation, allowing installer to let go of the speaker to pick-up tools or other items.**

Specifications:

S623SSTR

| | |
|----------------------------|---|
| Tweeter: | Two 1" (25mm) Silk domes, Ferrofluid-cooled |
| Woofers: | 6½" (165mm) Carbon fiber cone, dual voice coil, rubber surround, pivoting |
| Frequency Response: | 43Hz – 20kHz ±3dB |
| Impedance: | 8 Ohms nominal; 6 Ohms minimum |
| Power Handling: | 5 watts minimum; 135 Watts maximum |
| Sensitivity: | 90dB SPL (2.83V 1 meter) |
| Grille Material: | Perforated aluminum |
| Adjustments: | ±3dB Tweeter level |
| Dimensions (Dia. x Depth): | 9¾" x 5 ³ / ₁₆ " (248mm x 132mm) |
| Cutout Diameter: | 8 ⁵ / ₃₂ " (207mm) |
| Shipping Weight: | 5 lbs. (2.3kg) Each |

S621SSTR

| | |
|----------------------------|--|
| Tweeter: | Two ¾" (19mm) Silk domes, Ferrofluid-cooled |
| Woofers: | 6½" (165mm) Polypropylene cone, dual voice coil, rubber surround, pivoting |
| Frequency Response: | 50Hz – 20kHz ±3dB |
| Impedance: | 8 Ohms nominal; 6 Ohms minimum |
| Power Handling: | 5 watts minimum; 100 Watts maximum |
| Sensitivity: | 88dB SPL (2.83V 1 meter) |
| Grille Material: | Perforated aluminum |
| Adjustments: | None |
| Dimensions (Dia. x Depth): | 9¾" x 5 ³ / ₁₆ " (248mm x 132mm) |
| Cutout Diameter: | 8 ⁵ / ₃₂ " (207mm) |
| Shipping Weight: | 4.5 lbs. (2.0kg) Pair |

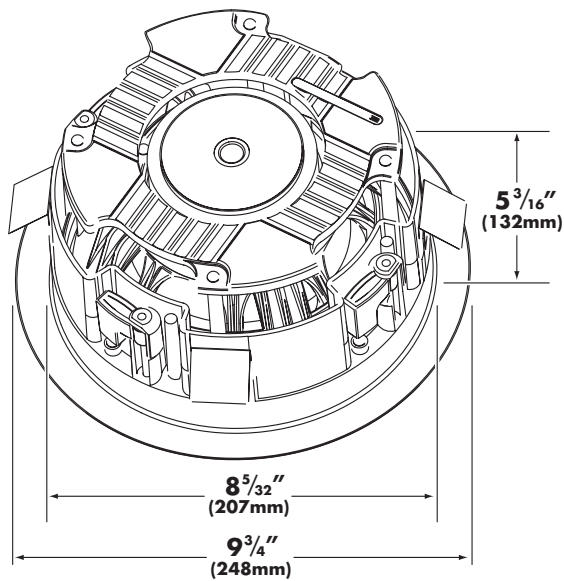
(continued on rear)

Sonance Symphony® Series

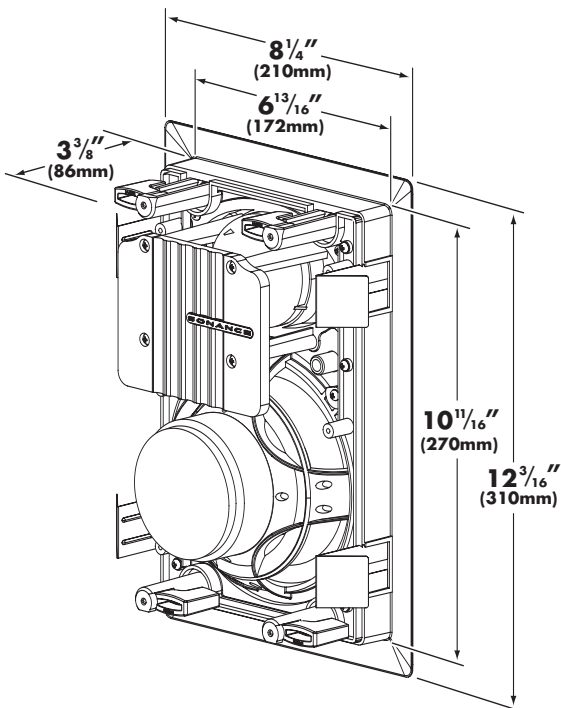
Single-StereoTechnology® and SRS1

Dimensions

Symphony SSTR/SRS1 Speakers:



Symphony S623SST:



Specifications (continued from front):

S623SST

| | |
|-------------------------|---|
| Tweeter: | Two 1" (25mm) Silk domes, Ferrofluid-cooled |
| Woofer: | 6½" (165mm) Carbon fiber cone, dual voice coil, rubber surround |
| Frequency Response: | 43Hz – 20kHz ±3dB |
| Impedance: | 8 Ohms nominal; 6 Ohms minimum |
| Power Handling: | 5 watts minimum; 135 Watts maximum |
| Sensitivity: | 90dB SPL (2.83V 1 meter) |
| Grille Material: | Perforated aluminum |
| Adjustments: | None |
| Dimensions (W x H x D): | 8¼" x 12¾" x 3⅜" (210mm x 310mm x 86mm) |
| Cutout Dim. (W x H): | 6⅓" x 10Ⅰ" (172mm x 270mm) |
| Shipping Weight: | 5 lbs. (2.3kg) Each |

SRS1

| | |
|----------------------------|--|
| Tweeter: | Two 1" (25mm) Silk domes, Ferrofluid-cooled |
| Woofer: | 6½" (165mm) Carbon fiber cone, rubber surround, pivoting |
| Frequency Response: | 55Hz – 20kHz ±3dB |
| Impedance: | 8 Ohms nominal; 6 Ohms minimum |
| Power Handling: | 5 watts minimum; 150 Watts maximum |
| Sensitivity: | 90dB SPL (2.83V 1 meter) |
| Grille Material: | Perforated aluminum |
| Adjustments: | None |
| Dimensions (Dia. x Depth): | 9¾" x 5⅓" (248mm x 132mm) |
| Cutout Diameter: | 8Ⅴ" (207mm) |
| Shipping Weight: | 11 lbs. (5.0 KG) Pair |

SONANCE®

212 Avenida Fabricante
San Clemente, CA 92672-7531 USA
(800) 582-7777 or (949) 492-7777
FAX: (949) 361-5151
Technical Support: (800) 582-0772
WWW.SONANCE.COM

©2007 Sonance, All Rights Reserved. Sonance, Sonance Symphony, FastMount and RotoLock are trademarks or registered trademarks of Dana Innovations. Due to continuous product improvement, all features and specifications are subject to change without notice.

For the latest Sonance product information go to:

www.sonance.com

Download from Www.Somanuals.com. All Manuals Search And Download.

06/07

Free Manuals Download Website

<http://myh66.com>

<http://usermanuals.us>

<http://www.somanuals.com>

<http://www.4manuals.cc>

<http://www.manual-lib.com>

<http://www.404manual.com>

<http://www.luxmanual.com>

<http://aubethermostatmanual.com>

Golf course search by state

<http://golfingnear.com>

Email search by domain

<http://emailbydomain.com>

Auto manuals search

<http://auto.somanuals.com>

TV manuals search

<http://tv.somanuals.com>