



A800D (left);  
A800DR (right)



## Sonance Virtuoso® Series

# 8" Woofers

Sonance Virtuoso® Series woofers can enhance the bass performance of any home theater or 2-channel audio system. These woofers are available in both in-wall and in-ceiling configurations, and in amplified and passive versions, allowing them to be used with practically any type of audio system.

Eight-inch diameter carbon fiber cones deliver the kind of deep, powerful bass more commonly found in audiophile free-standing speakers. Amplified versions include a Sonamp® amplifier that delivers 150 watts of power and provides flexible controls, allowing the installer or listener to fine-tune the woofer and optimize its performance for a wide variety of audio systems and listening situations.

Exclusive new FastMount® tabs and RotoLock® mounting system make installing these woofers easier than ever before.

### Features:

- **Three models available: Amplified in-wall (A800D), amplified in-ceiling (A800DR) and passive in-wall (P800D).**
- **8" Diameter woofers deliver deep, powerful bass.**
- **Cast aluminum woofer baskets.**
- **Included Sonamp® amplifier (A800D/A800DR) features 150 watt power output, adjustable front-panel phase, crossover frequency and output level controls.**
- **Exclusive new FastMount® tabs hold speaker in the mounting hole during installation, allowing installer to let go of the speaker to pick-up tools or other items.**
- **RotoLock® mounting system simplifies installation.**
- **Paintable aluminum grilles.**
- **Optional Wood Acoustic Enclosures optimize bass performance and reduce sound spillover from rear of speaker into adjacent spaces (for new construction only).**

## Specifications

### A800D

Woofer:	8" (203mm) Long throw carbon fiber cone, with a rubber surround
Frequency Response:	35Hz – 250Hz
Amplifier Power:	150 watts
Controls:	Crossover frequency (80Hz ~ 250Hz), output level, phase
Dimensions (W x H x D):	9 <sup>7</sup> / <sub>8</sub> " x 15 <sup>15</sup> / <sub>16</sub> " x 3 <sup>7</sup> / <sub>8</sub> " (251mm x 405mm x 99mm)
Cutout Dimensions (W x H):	8 <sup>7</sup> / <sub>16</sub> " x 14 <sup>1</sup> / <sub>2</sub> " (214mm x 368mm)
Amplifier Dimensions: (W x H x D)	16 <sup>3</sup> / <sub>4</sub> " x 4" x 13 <sup>1</sup> / <sub>2</sub> " (425mm x 102mm x 343mm)
Shipping Weight:	29 lbs (13 kg) system

### A800DR

Woofer:	8" (203mm) Long throw carbon fiber cone, with a rubber surround
Frequency Response:	35Hz – 250Hz
Amplifier Power:	150 watts
Controls:	Crossover frequency (80Hz ~ 250Hz), output level, phase
Dimensions (Dia x D):	11 <sup>1</sup> / <sub>4</sub> " x 6" (286mm x 152mm)
Cutout Diameter:	10 <sup>1</sup> / <sub>8</sub> " (257mm)
Amplifier Dimensions: (W x H x D)	16 <sup>3</sup> / <sub>4</sub> " x 4" x 13 <sup>1</sup> / <sub>2</sub> " (425mm x 102mm x 343mm)
Shipping Weight:	29 lbs (13 kg) system

### P800D

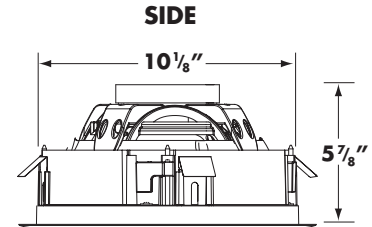
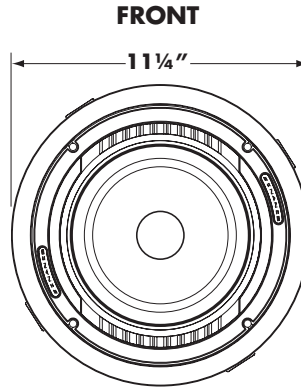
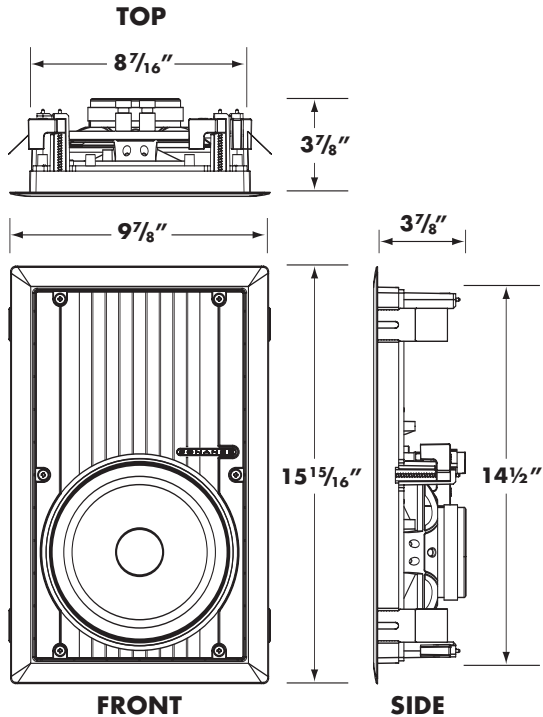
Woofer:	8" (203mm) Long throw carbon fiber cone, dual voice coil, with a rubber surround
Frequency Response:	35Hz – 250Hz
Power Handling:	150 watts
Sensitivity:	90dB SPL (2.83V/1 meter)
Crossover Frequency:	150 Hz
Dimensions (W x H x D):	9 <sup>7</sup> / <sub>8</sub> " x 15 <sup>15</sup> / <sub>16</sub> " x 3 <sup>7</sup> / <sub>8</sub> " (251mm x 405mm x 99mm)
Cutout Dimensions (W x H):	8 <sup>7</sup> / <sub>16</sub> " x 14 <sup>1</sup> / <sub>2</sub> " (214mm x 368mm)
Amplifier Dimensions: (W x H x D)	16 <sup>3</sup> / <sub>4</sub> " x 4" x 13 <sup>1</sup> / <sub>2</sub> " (425mm x 102mm x 343mm)
Shipping Weight:	13 lbs (5.8 kg) each

Sonance Virtuoso® Series

# 8" Woofers

Dimensions: A800D and P800D

Dimensions: A800DR



## Optional Accessories:

**Virtuoso Acoustic Enclosure (A800D/P800D, part #91708; A800DR, part #91900):**  $\frac{1}{2}$ " MDF enclosure that provides ideal acoustic performance and maximum reduction of sound transmission into adjacent spaces. Designed for use only in new construction.

**Virtuoso FlexBracket (A800D/P800D, part #92246; A800DR, part #92247):** Plastic template to reserve a mounting hole for the speaker in new construction. Designed to be used with the RotoLock® mounting system.

**Virtuoso Coverplate (A800D/P800D, part #92244; A800DR, part #92245):** Covers the hole made by the FlexBracket during construction until the speaker is installed.

**Virtuoso Fire-Rated Back Can (A800DR only, part #91908):** Meets ASTM E 119 and UL2043 criteria for commercial installations.

**Virtuoso Metal Grille (A800D/P800D, part #92289; A800DR, part #92290):** Metal replacement for included grilles.

**Virtuoso Cloth Grille (A800D/P800D, part #92284; A800DR, part #92285):** Cloth-covered replacement for included grilles.

**Sonafill® System (A800D/P800D, part #91698; A800DR, part #91928):** Retrofittable acoustical treatment for in-wall and in-ceiling speakers consisting of two pillows and four tiles that virtually eliminates noise produced by resonating drywall. Dramatically improves midbass sound quality and reduces sound transmission into adjacent rooms.

## SONANCE

212 Avenida Fabricante  
 San Clemente, CA 92672-7531 USA  
 (800) 582-7777 or (949) 492-7777  
 FAX: (949) 361-5151  
 Technical Support: (800) 582-0772  
 WWW.SONANCE.COM

©2006 Sonance. All rights reserved. Sonance, Sonance Virtuoso, FastMount and RotoLock are trademarks or registered trademarks of Dana Innovations. Due to continuous product improvement, all features and specifications are subject to change without notice. For the latest Sonance product specification information visit our website:

[www.sonance.com](http://www.sonance.com)

## Free Manuals Download Website

<http://myh66.com>

<http://usermanuals.us>

<http://www.somanuals.com>

<http://www.4manuals.cc>

<http://www.manual-lib.com>

<http://www.404manual.com>

<http://www.luxmanual.com>

<http://aubethermostatmanual.com>

Golf course search by state

<http://golfingnear.com>

Email search by domain

<http://emailbydomain.com>

Auto manuals search

<http://auto.somanuals.com>

TV manuals search

<http://tv.somanuals.com>