

Sonance Cinema® Series Cinema Select® LCR Cabinet



Sonance Cinema Select® LCR Cabinet Speakers

Sonance Cinema Select® LCR Cabinet speakers bring true cinema performance to those who have smaller theater rooms and can't use Sonance in-wall speakers. In fact, earning THX® Select certification guarantees that in rooms up to 2,000 cubic feet, Cinema Select LCR Cabinet speakers will reproduce film soundtracks just as their filmmakers intended them to sound.

The new enclosure is a key to the Cinema Select LCR Cabinet speaker's superior performance. The 1"-thick MDF baffle and back panels maintain ultra-high rigidity and banish resonances. An exclusive laminate made-up of ½" MDF and ½" particle board maximizes stiffness and reduces resonances in the top, bottom and side panels.

Sonance Cinema Select LCR Cabinet speakers establish a formidable standard of home entertainment performance that makes them ideal for both multi-channel home theater and music applications.

Features:

- Cabinet design offers legendary Sonance quality and performance to listeners who can't use in-wall speakers.
- THX® Select certification guarantees cinema-quality performance in rooms up to 2,000 ft³.
- Same drivers and voicing as Cinema Select in-wall speakers allows mix-and-match between in-wall and cabinet versions while maintaining character and quality of 'Sonance sound'.
- Tweeter acoustic back chamber widens and smoothes high-frequency performance.
- Ultra-rigid 1" MDF baffle and back panels minimize resonances.
- Cabinet top, bottom & sides made from an exclusive laminate of ½" MDF and ½" particle board, for superior stiffness and resonance damping.
- Tweeter level control and boundary compensation control maximize performance in a variety of installations.
- Large connection terminals accept up to 12AWG speaker wire.
- Compact size increases installation options.

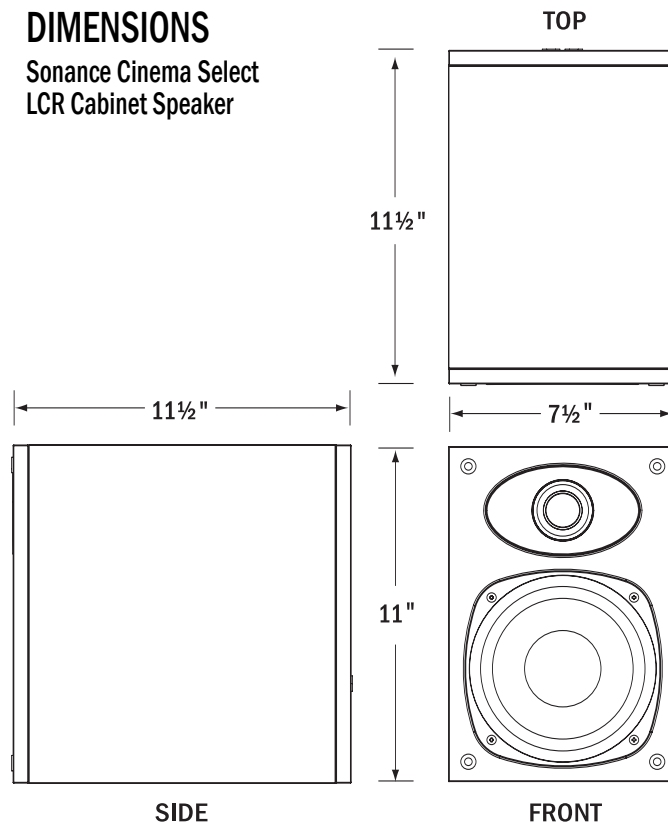
SPECIFICATIONS

Cinema Select LCR Cabinet

Tweeter	1" (25mm) Silk dome, Ferrofluid-cooled, shielded magnet
Woofer	6½" (165mm) Carbon fiber cone, rubber surround, shielded magnet
Frequency Response	80Hz – 20kHz ±3dB
Impedance	8 Ohms nominal; 5 Ohms minimum
Power Handling	5 watts minimum; 135 Watts maximum
Sensitivity	90dB SPL (2.83V 1 meter)
Baffle & Back Panel Material	1" MDF
Top, Bottom & Side Panel Material	Laminate (½" MDF / ½" particle board)
Grille Material	Black cloth
Adjustments	±3dB Tweeter level, boundary compensation
Dimensions (W x H x D)	7½" (190mm) x 11" (279mm) x 11½" (292mm)
Shipping Weight	18 lbs. (8.2 KG) each

DIMENSIONS

Sonance Cinema Select LCR Cabinet Speaker



www.sonance.com

212 Avenida Fabricante
San Clemente, CA 92672-7531 USA
(800) 582-7777 or (949) 492-7777
FAX: (949) 361-5151
Technical Support: (800) 582-0772

Free Manuals Download Website

<http://myh66.com>

<http://usermanuals.us>

<http://www.somanuals.com>

<http://www.4manuals.cc>

<http://www.manual-lib.com>

<http://www.404manual.com>

<http://www.luxmanual.com>

<http://aubethermostatmanual.com>

Golf course search by state

<http://golfingnear.com>

Email search by domain

<http://emailbydomain.com>

Auto manuals search

<http://auto.somanuals.com>

TV manuals search

<http://tv.somanuals.com>