



## Industry Upgrade Components

# LS2 and LR2 Balanced Audio Sender/Receiver

The Sonance LS2 and LR2 form a system designed to send low-level audio signals long distances and in close proximity to sources of noise interference without inducing noise or high-frequency roll-off. As a general rule of thumb, a balanced signal should be used for anything but short lengths of audio cable (under 20 feet) and wherever the possibility of signal interference is likely (i.e. where the audio signal passes near dimmers, transformers, fluorescent or neon lights, or along the same pathways as house current). The active LS2 circuitry converts the unbalanced signal to a balanced configuration and sends the balanced signal to the LR2, which converts it back into an

unbalanced signal. This virtually eliminates any noise picked up over the length of the wire, leaving only the original signal.

The LS2 and LR2 are always used in conjunction with each other, except when used in conjunction with equipment with balanced inputs or outputs (such as professional sound or recording equipment). In this type of system the LS2 serves as an unbalanced-to-balanced converter and the LR2 serves as a balanced-to-unbalanced converter. The LS2 can also be used with the 275 SE and ASAP2 SAT amplifiers fitted with an LR1 SAT module (part# 91815).

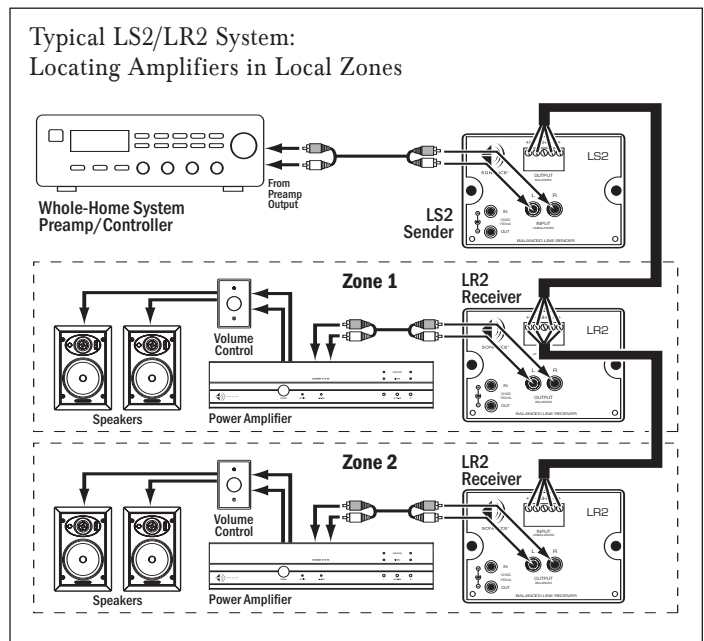
### Features:

- The LS2 unbalanced input and LR2 unbalanced output connectors are high-quality gold-plated RCA connectors.
- The LR2 balanced input and LS2 balanced output connectors are removable quick-toggle RIA connectors.
- The LS2 and LR2 operate on a single-output 12V DC power supply (included with both units), and can also be powered directly by 12V sources. The power inputs have reverse-polarity protection.
- DC In and DC Out connections on both units allow the installer to power multiple units from a single power supply.
- Recessed mounting holes allow wall mounting.
- Compatible with 3" TK-series SnapTrak® from Augat.

### Specifications:

(0dB ref = 0.775V)

THD + Noise:	<01%, 20Hz – 20kHz
Signal-to-Noise Ratio:	>-100dB (IHF-A wtd)
CMRR (LR2):	>98dB (20Hz – 5kHz); >75dB (5kHz – 20kHz)
Frequency Response:	20Hz – 20kHz ±0.2dB
Input Impedance:	47k ohms (LS2 unbalanced inputs)
Output Impedance:	600 ohms (LR2 unbalanced outputs)
Power Consumption:	55mA ±5% @ 12VDC (LS2); 30mA ±5% @ 12VDC (LR2)
Dimensions (WxHxD):	4" x 2" x 3" (102mm x 51mm x 76mm)



SONANCE®

212 Avenida Fabricante  
San Clemente, CA 92672-7531 USA  
(800) 582-7777 or (949) 492-7777

FAX:(949) 361-5151

Technical Support: (800)582-0772

WWW.SONANCE.COM

©2007 Sonance. All rights reserved. Sonance is a registered trademark of Dana Innovations.  
Due to continuous product improvement, all features and specifications are subject to change without notice.  
For the latest Sonance product specification information visit our website:

## Free Manuals Download Website

<http://myh66.com>

<http://usermanuals.us>

<http://www.somanuals.com>

<http://www.4manuals.cc>

<http://www.manual-lib.com>

<http://www.404manual.com>

<http://www.luxmanual.com>

<http://aubethermostatmanual.com>

Golf course search by state

<http://golfingnear.com>

Email search by domain

<http://emailbydomain.com>

Auto manuals search

<http://auto.somanuals.com>

TV manuals search

<http://tv.somanuals.com>