

## Table of contents

### Product introduction

Points requiring attention during use

### Introduction of main parts

- 1 Packing list
- 2 Introduction of host functional interface
- 3 Remote control
- 4 Connection to other equipment
- 5 Use of battery

### Basic operation

- 1 Turn it on
- 2 Play video/audio files

### Advanced operation

- 1 Display brightness adjustment
- 2 Display contrast adjustment
- 3 Display sharpness adjustment
- 4 Display color saturation adjustment
- 5 Display language
- 6 Select video/audio signal source

### System parameters

- 1 Interface
- 2 Specifications

### Troubleshooting

## Product introduction

Video-55 is a video/audio player used along with iPod ® 5G 30G/60G. It is equipped with a 7" high-definition LCD unit, a high-performance audio speaker system, a fully functional IR remote control, USB interface, and video/audio input/output interfaces.

This system can be used to view movies, pictures, or other video files played by iPod ® 5G and to listen to the music files stored in "iPod ® 5G."

### Points requiring attention during use

1. Please read the Video-55 operating instructions carefully before operating this device.
2. Please keep these operating instructions for later use.
3. Please heed all warnings printed on the device and in the operating instructions.
4. Please follow all of the operating and use instructions.
5. Please do not use this device near a bathtub, washbasin, kitchen sink, laundry sink, damp basement, or swimming pool.

**Warning:** In order to reduce the risk of fire or electrical shock, please do not place this device in a rainy or damp environment.

6. Find a flat and stable place to use this device near the system to be connected. Do not place this device on the top of a TV or color display unit. Please use this device in an environment away from magnetic fields.

7. Do not place the device on a bed, sofa, carpet, or a similar surface that will block the ventilation port. Do not place this device in a sealed environment, such as an unventilated closed bookcase or cabinet.
8. Please keep the device away from electric heaters, radiators, ovens, or other heating equipment (including power amplifier)
9. Power supply - The power supply to which this device is connected should match the type described in the operating instructions or on the device label.
10. Protection of power cord - The power cord should be arranged properly to keep it from being stepped on or crushed by other objects. Please pay special attention to the power input line and the connection input ports coming out of the side of the video player.
11. Grounding and polarization - Preventive measures should be taken to ensure proper grounding and polarization.
12. Please use a soft cloth for routine cleaning. If there are persistent stains, you can apply a small amount of a neutral cleaning agent to the cloth, dilute it in 5-6 times the same amount of water, squeeze the water out of the cloth, and wipe off the persistent stains, followed by wiping with a piece of dry cloth.

**ATTENTION:** Please be careful when using alcohol, solvent, benzene, bug repellent, etc., since these chemical products will leave marks on the body of the device or cause the housing to detach. Similarly, please do not keep rubber or plastic articles in contact with this device over long periods since they will damage

the body of the device. When using a cleaning cloth containing a chemical, please carefully read the use instructions for the cleaning cloth. Please unplug the power cord when cleaning the device.

When cleaning the liquid crystal display unit, please use a piece of soft, dry cloth (such as lens cleaning cloth). Water left on the display unit for a long time will cause discoloration of the screen or leave stains. Please use special liquid crystal display cleaner to clean persistent stains.

13. Storage period - Please unplug the device if it is not used for a long time.
14. Thunderstorms - Please unplug the special adapter during thunderstorms.
15. Penetration of foreign matter or liquid - Please be careful not to let foreign matter or liquids enter the housing through the gap.
16. Auxiliary parts - Use only the auxiliary parts specified by Sonic Impact.
17. Do not place any article on the body of this device.
18. When using this device in a hospital, airplane, or other special environment, please follow hospital administrative regulations, aviation law, and other special regulations.
19. Repair is required when the following types of damage occur - In these cases, the device should be repaired by an authorized service agent:
  - a. Power cord or plug is damaged.
  - b. Foreign matter or liquid enters the device.
  - c. The device is exposed to rain.
  - d. The device works abnormally or the performance changes significantly.

e. The device falls to the ground or the housing has been damaged.

20. Repair - The user should not try to repair the device. Repair should be conducted by a qualified technician or the retailer. It is also possible to call the SI hotline to get help.

### One year warranty

SI warranties to the final user that all of the sourced audio, PC audio, portable audio, TV or game speaker systems are free of defective materials or workmanship in the course of reasonable and regular use for a term of one year from the purchase date.

This warranty is the only warranty in effect relative to SI sourced audio, PC audio, portable audio, TV or game speaker systems, and no other expressed or implied warranties are valid. Neither SI nor any retailer authorized by SI is responsible for any indirect damage occurring during use of the speakers. (The limitation with regard to indirect damage may be inapplicable in some areas where such limitation is prohibited.)

Under this warranty, SI is not responsible for any problem, defect, or malfunction under the following circumstances: misuse, abuse, incorrect installation, use with defective or improper equipment, or use of the speakers with any equipment for which they were not intended.

The terms of this warranty are applicable only when the source audio, PC audio, portable audio, TV or game speaker system is returned to the authorized SI retailer that sold said products.

## CUSTOMER SERVICE

For service or warranty of the electronics please contact:

[service@si-technologies.com](mailto:service@si-technologies.com)

**THIS CLASS B DIGITAL APPARATUS COMPLIES WITH CANADIAN ICES-003.**

Sonic Impact Technologies LLC  
2555 State Street  
San Diego, California 92101  
USA

[www.si-technologies.com](http://www.si-technologies.com)

©Sonic Impact Technologies LLC  
Video-55 is a trademark of Sonic  
Impact Technologies LLC  
iPod® is trademark of Apple  
Computer, Inc., registered in the  
U.S. and other countries

## Introduction of main parts

### 1 Packing list



One main unit



One power adapter



One car charger



One video cable

One bag



One remote control



Insert adapter



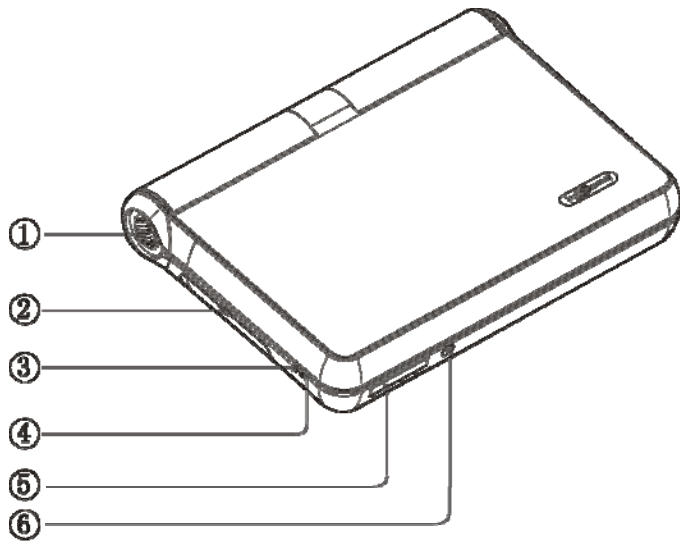
Operating Manual



Quick Set Up

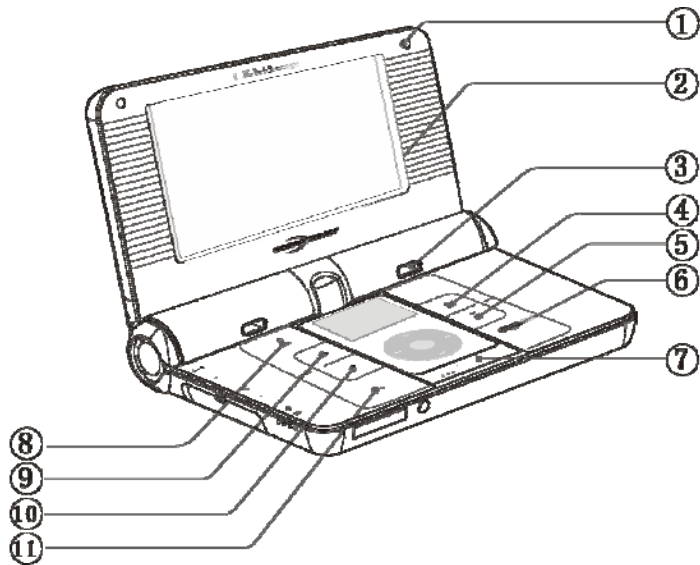
Cleaning cloth

## 2 Introduction to host functional interface



① Speaker, The device is equipped with two 1.25" full-frequency titanium alloy cone speakers, one at each end, to provide high-quality audio performance.

- ② Functional interface gate, with video output, video input, audio input, external power interface and "USB" interface
- ③ Operating status indicator light indicates the current operational status of the device. The indicator light has the following four statuses.
  - a. Turned on: Green light is on
  - b. Standby: Red light is on
  - c. Muted: Green light flashes
  - d. Turned off: Lights are off
- ④ Battery status indicator light indicates only the current operating status of the battery. This light has the following four indicators:
  - a. Sufficient electric power: Green light is on
  - b. Insufficient electric power: Red light flashes
  - c. Charging: Green light flashes
  - d. Turned off: Light is off
- ⑤ Remote control storage compartment. Ejection-type remote control storage compartment, which further facilitates storage and removal of the remote.
- ⑥ Remote control signal receiving window: Used to receive the remote control signal



① Rubber anti-wear pad: Protect the device from wear

② Liquid crystal display screen: 7-inch, 16:9

③ Speaker port holes

④ + Key: 1. Total volume-up control key: the volume of the device will gradually increase when "+" is pressed; 2. After entering the "MENU" parameter-adjusting menu, the analog parameter on the screen will gradually increase when the "+" key is pressed.

⑤ - Key: 1. Total volume-up control key: the volume of the device will gradually decrease when "-" is pressed; 2. After entering the "MENU" parameter-adjusting menu, the analog parameter on the

screen will gradually decrease when the "-" key is pressed.

⑥ HOLD Key: Panel locking key: 1. If the device is switched to "HOLD" after it is turned on, all of the keys on the panel of the device are locked. The remote control will remain active. 2. If the device is switched to "HOLD" after it is turned off, the device cannot be turned on using either the remote control or the "POWER" key on the panel.

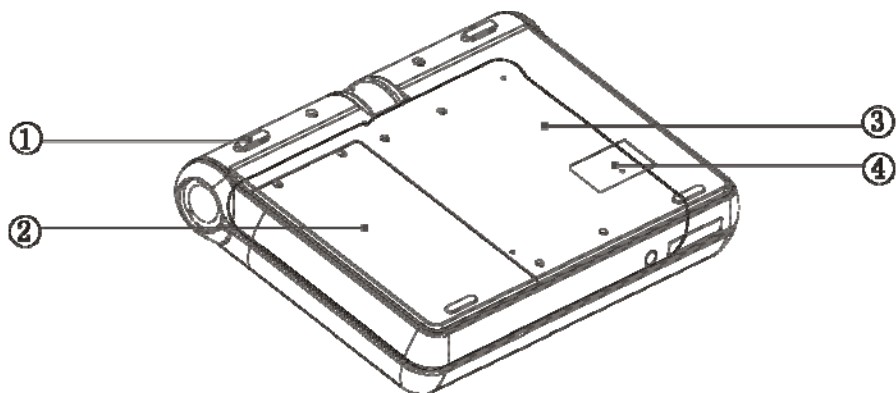
⑦ iPod® "30pin" interface jack: Used to connect this device to "iPod® VIDEO"

⑧ POWER key: Turns the device on/off

⑨ key: Menu navigate up key: After entering the "MENU" menu for adjusting the parameters of the device, this key is used for navigating up to select items from the device MENU-up parameter menu.

⑩ key: Menu navigate down key: After entering the "MENU" menu for adjusting the parameters of the device, this key is used for navigating down to select items from the device MENU-up parameter menu.

11 MENU key: MENU up parameter-adjusting menu key: Press "MENU" key once to enter the MENU up parameter adjustment menu. Press "MENU" key again to exit the device MENU up parameter adjustment menu.



① Bottom rubber pads: Protect the device from wear

② Rechargeable battery compartment gate

③ Main unit label sticker

④ Main unit label

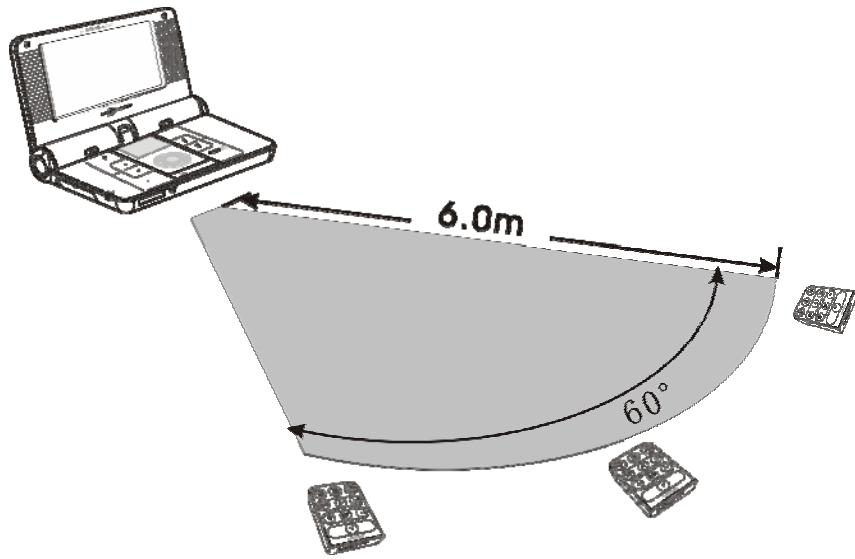
### 3 Remote control

**ATTENTION:** To avoid damage, please do not throw, step on, or hit the remote control.

1) The remote control may not work if there is an obstacle between the main unit and the remote control.

2) Please do not expose the remote control to strong light sources. Otherwise, the remote control may not be able to operate.

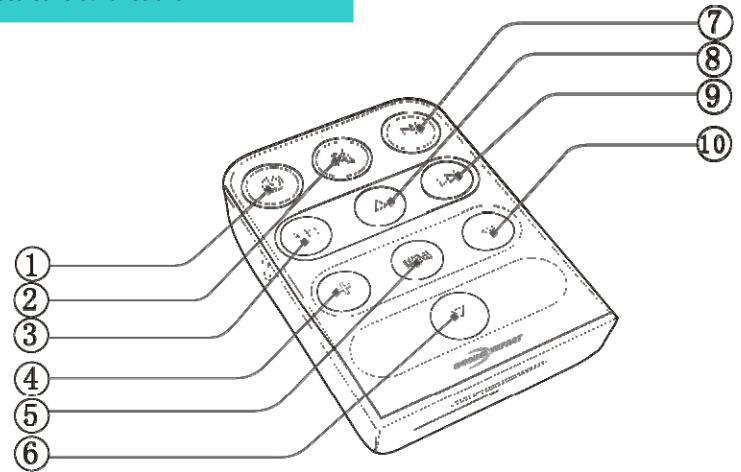
3) Please use the remote control within the effective receiving range. The effective receiving range is shown below.



4) Please remove the plastic film between the remote control battery and the metal spring contacts before using the remote control.

**ATTENTION:** In order to prevent the remote control lithium-ion battery from leaking, please remove the battery from the remote control if the remote control will not be used for a long period (for example, one month or longer). If there is liquid leaking from the remote, please wipe away the liquid and install a new battery.

5) Remote control functions



- ① POWER key: Same as that on the main unit
- ② Mute key: Lightly press this key once to mute the sound. Press it again to restore the sound.
- ③ ⏮ key: Rewind key for "iPod® VIDEO" player: When playing songs, press the "⏮" key once to jump to the previous song. Hold down the "⏮" key for more than 2 seconds to rewind the song that is being played. When browsing slides, press "⏮" once to jump to the previous slide. Hold down the "⏮" key for more than 2 seconds to enter the upward browsing state.
- ④ + key: Same as that on the main unit
- ⑤ MENU key: Same as that on the main unit
- ⑦ [Button with icon]
- ⑧ [Button with icon]
- ⑨ [Button with icon]
- ⑩ [Button with icon]



ⓐ key: Same as that on the main unit

ⓑ ▶ || key: Video-55 pause key/play key: Press " ▶ || " once to play. Press the " ▶ || " again to pause

ⓒ key: Same as that on the main unit

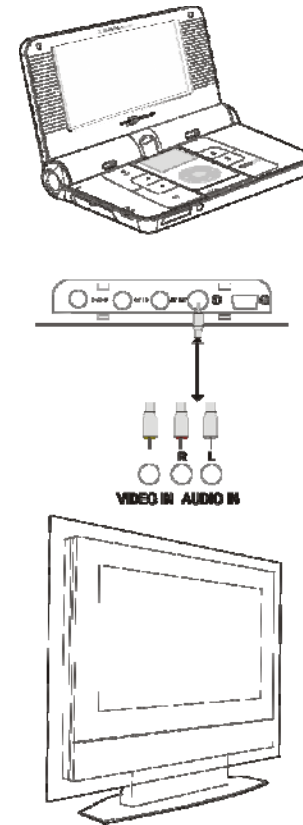
ⓓ ▶▶ key: Fast-forward key for iPod ® 5G player: When playing songs, press "▶▶" key once to jump to the next song. Hold down the "▶▶" key for more than 2 seconds to fast-forward the song that is being played. When browsing slides, press "▶▶" once to jump to the next slide. Hold down the "▶▶" key for more than 2 seconds to enter the downward browsing state.

ⓔ - key: Same as that on the main unit

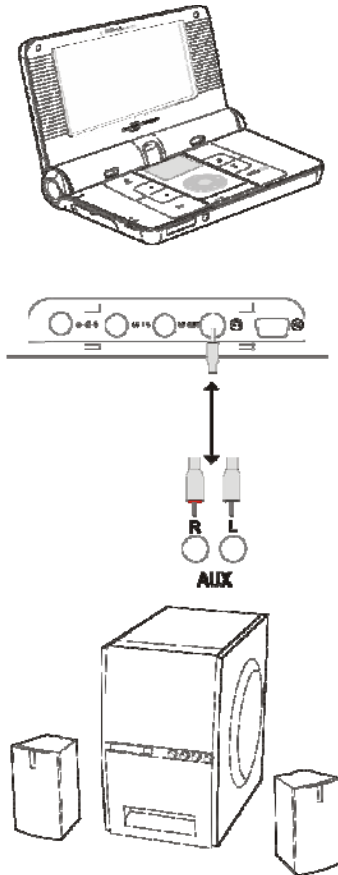
#### 4 Connection to other equipment

**ATTENTION:** Please turn off the power of the main unit before connecting to other equipment.

#### 1) Diagram illustrating connection to TV

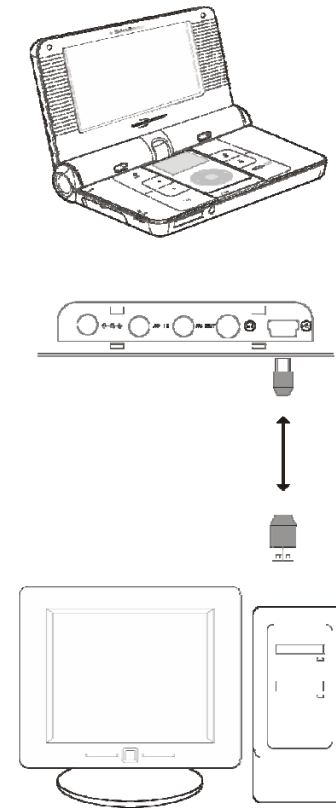


2) . Diagram illustrating connection to external speaker

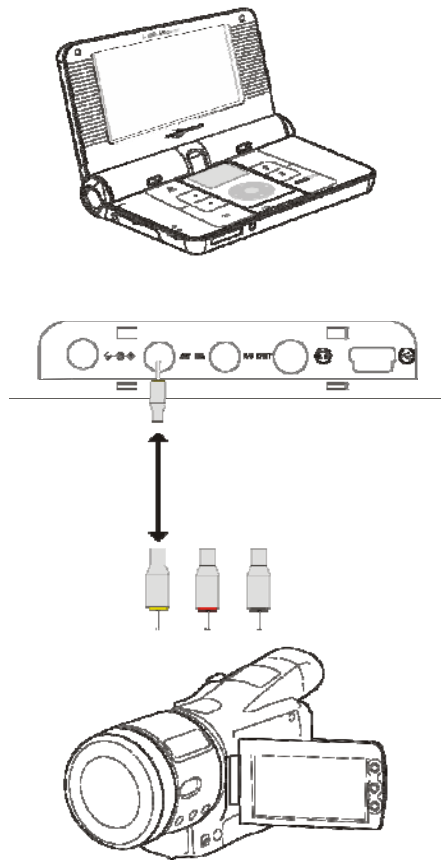


3) Diagram illustrating connection to PC

Data communication between "PC" and iPod ® 5G can be realized through the "USB" interface.



4) Diagram illustrating connection to video input equipment

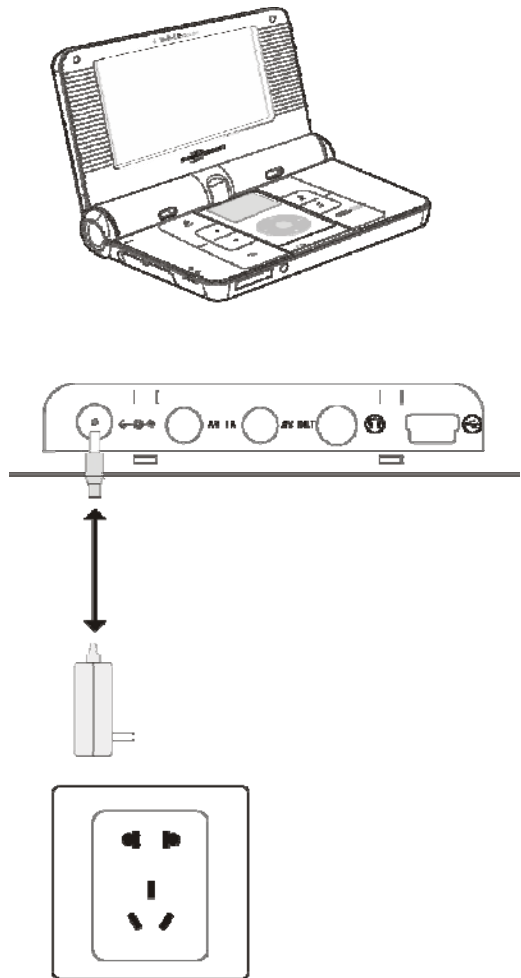


5) Diagram illustrating connection between power adapter and external power supply

**ATTENTION:** Please place the device in a stable location when making the electrical connection. Avoid short-circuits at the charging terminals of the device and the adapter.

**ATTENTION:** The battery adapter is suitable for 100-240 V. It is globally applicable.

**ATTENTION:** Please make sure that the power of the device is already turned off when plugging in or unplugging.



## 5 Use of battery

A rechargeable lithium-ion battery is used in this device. Please operate as described below.

### 1) Charge the battery

- a. Connect adapter to the "DC IN" socket of this device.
- b. Plug the power adapter into an AC power outlet.
  - When charging starts the charging indicator light glows red.
  - When charging is finished, the indicator light turns green.
  - Charging usually takes 4-6 hours depending on the operating environment.

### 2) Important points

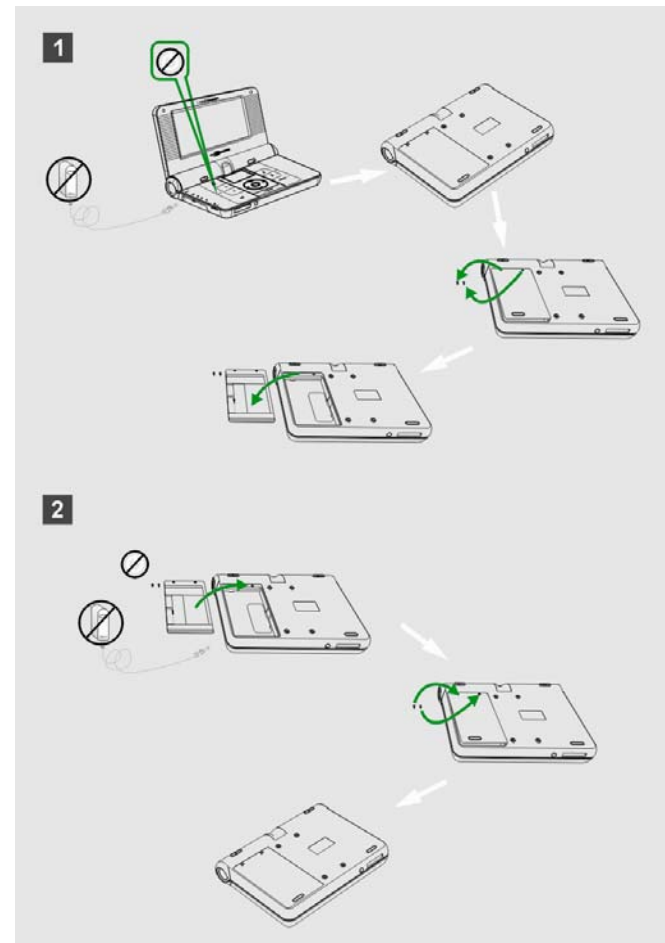
- a. The charging time should not be shorter than 12 hours before the first use. This can help to extend the average life of the battery.
- b. If the ambient temperature is too high, the battery may not be able to work since the device has protective safety features.
- c. Please remove the battery from the main unit if this device will not be used for an extended time. Avoid keeping the battery in the main unit for a long time since a weak current will flow out continuously, leading to excess battery discharge. In some cases, the battery may be unusable even when it is recharged.
- d. If the battery is not fully charged, the picture may become unstable. Please make sure that the battery is fully charged before using the device.

- e. The battery should be stored at a temperature of 15-25°C. Please do not expose the battery to excessively low or high temperatures. Please do not store the battery in a dusty environment.
- f. If the battery is to be stored for a long time, it is recommended to charge/discharge the battery once every year. Use the battery in the main unit until it is discharged. Then, recharge the battery and store it.
- g. If the battery cannot be charged or the playing time is very short, it means that the service life of the battery has expired. It is necessary to replace it with a new battery. (Please follow the battery replacement instructions.)

**ATTENTION: Only a battery with the same specifications designated by SI can be used. To do otherwise can be dangerous.**

### 3) Replacing the lithium-ion battery

To replace the lithium-ion battery, please disassemble and install the parts as shown below.



#### 4) Special reminders:

Because of the intrinsic properties of lithium-ion batteries, please note the following:

- a. When disposing of a defective or old battery, please apply adhesive tape to the terminals and dispose of the battery according to local regulations.
- b. In order to prolong the service life of the battery, please do not charge the battery frequently in an intermittent way. The number of charging cycles has significant influence on the service life of the battery.
- c. Charging will cause slight heating, which is considered normal.
- d. If the temperature in the charging environment is too high, the battery will not become fully charged. Please do not charge the battery at an excessively high ambient temperature. It is preferred to charge the battery at an ambient temperature of 10-30°C.
- e. In normal storage, the capacity of the lithium-ion battery will decrease naturally over time. As a result, the playing time will be shortened.
- f. The capacity of the lithium-ion battery will decrease gradually as the number of charging cycles increases. As a result, the playing time will be shortened.
- g. The capacity of the lithium-ion battery will decrease gradually along with a drop in ambient temperature. As a result, the playing time will be shortened.

The aforementioned consumptions are normal consumptions of the lithium-ion battery. It is recommended that the user charge the battery when it is nearly discharged in order to extend the service life of the lithium-ion battery.

#### 5) Battery specifications

Nominal Voltage:7.0V

Nominal Capacity:4000mAh

Max.Charging Voltage:8.4V

GB/T 18287-2000



#### 6) Use power adapter to supply power

- a. Connect the DC output plug on the power adapter to the "DC IN" socket on the device.
- b. Insert the AC plug of the power adapter into a power outlet. The device will enter standby status.

## Basic operation

### 1 Turning it on

- a. Insert the power plug of the adapter into a power outlet.
- b. Insert the DC output plug of the adapter into the "DC" input socket of the main unit.

- c. If the "HOLD" key on the keypad is in the locked position, please release the "HOLD" key and press the "POWER" key. If the "HOLD" key is in the released state, press the "POWER" key directly to turn on the device.
- d. The power indicator light will turn on, indicating that the device can be used.
- e. In the standby mode (when the power indicator light is red), it is also possible to turn on the device by pressing the standby key on the remote control.

## 2 Play video/audio files

### 1) Identify the program source equipment

Make sure that the Video-55 "30pin" interface has been correctly connected to "iPod ® 5G," or that the "AV IN" socket has been correctly connected to another video/audio player.

If the Video-55 is not connected correctly to as iPod ® or other video/audio player, the device will show a blue screen after it is turned on, and will automatically enter standby status after 30 seconds.

If the Video-55 is correctly connected to an iPod ® and another video/audio player at the same time, the video/audio signal output from the iPod ® will be given priority.

**ATTENTION: Be careful when connecting equipment. The interface on the device can be damaged by improper use.**

### 2) Play the program source signal

#### a. iPod ®

- ① If the Video-55 is opened and turned on and the "30pin" interface is correctly connected to an "iPod ®," the device will play the video/audio signals output from the "iPod ®."
- ② The Video-55 will turn on the display screen when it detects a video signal output from an "iPod ®."
- ③ Two minutes after the iPod ® ceases output of a video signal, the display screen of the Video-55 will turn off automatically and will enter the audio play mode.
- ④ If the display screen is closed while the Video-55 is playing video/audio, the display screen will turn off instantly, while the audio continues to play.
- ⑤ If the iPod ® connected to the Video-55 is in the off status, the "POWER" key on the operating panel of the Video-55 or on the remote control can be used to turn on the "iPod ®."

#### b. Other video/audio players

- ① If the Video-55 is opened and turned on and the "AV IN" interface is correctly connected to another video/audio player, the device will play the current video/audio signal.
- ② The Video-55 will turn on the display screen when it detects a video signal output from an "iPod ®."
- ③ Two minutes after the iPod ® stops outputting a video signal, the display screen of Video-55 will turn off automatically and will enter the audio play mode.
- ④ If the display screen is closed when the Video-55 is playing video/audio, the display screen will turn off instantly, while the audio continues to play.

**ATTENTION:** When the "30pin" interface of the Video-55 is corrected to an iPod ® that is on, the Video-55 cannot play signals output from the video/audio player connected to the "AV IN" interface. It is necessary to select and confirm "VIDEO" in the "iPod ®/VIDEO" program source section in the "MENU" menu in order to play other video/audio equipment. When the device is turned off and turned on again, the device will automatically give higher priority to the iPod ® program source.

### 3) Playing and pausing the Video-55

#### a. iPod ®

If the "HOLD" key on the iPod ® control panel is in the released state, Press " || " once to play. Press it again to pause. When the "HOLD" key is in the locked state, operation from the iPod ® control panel is ineffective. The remote control of the Video-55 is not limited by locking the "HOLD" key on the iPod ® control panel.

#### b. Other video/audio players

The remote control of the Video-55 cannot play/pause other video/audio players connected to the "AV IN" interface. It is necessary to play/pause by means of the video/audio equipment connected to the "AV IN" interface.

### 4) Video fast-forward navigate down, rewind navigate up

#### a. iPod ®

When the device plays songs, if the "HOLD" key on the iPod ® control panel is in the released state, press the "▶▶" key once to jump to the next song. Hold down the "▶▶" key for more than 2 seconds to fast-forward the song that is being played. When browsing slides, press "▶▶" once to jump to the next slide. Hold down "▶▶" key for more than 2 seconds to enter the downward browsing state. When playing songs, press "◀◀" key once to jump to the previous song. Hold down "◀◀" key for more than 2 seconds to rewind the song that is being played. When browsing slides, press "◀◀" once to jump to the previous slide. Hold down "◀◀" key for more than 2 seconds to enter the upward browsing state. If the "HOLD" key is in the locked state, operation from the iPod ® control panel is ineffective. The remote control of the Video-55 is not limited by locking the "HOLD" key on the iPod ® control panel.

#### b. Other video/audio players

A video/audio player connected to the "AV IN" interface cannot be fast-forwarded, navigated up and down, or rewound by the remote control of the Video-55. It is necessary to fast-forward or navigate down, rewind or navigate up by means of the video/audio equipment connected to the "AV IN" interface.

### 5) Volume adjustment

#### a. iPod ®

When the Video-55 is playing, the volume is adjusted using the "+," "-" keys. The volume key



on the iPod ® control panel cannot control the volume of this device.

#### b. Other video/audio players

When this device is playing, the volume is adjusted using "+," "-" keys. The volume keys on the video/audio equipment connected to this device have the same functions.

### 3 Turning it off

#### 1) Standby status

If the "POWER" key is pressed to enter standby status when the Video-55 is operating and the "HOLD" key is in the released state, the status light of this device will be lit red. If the "HOLD" key is in the released state, pressing the "POWER" key on the remote control of the Video-55 is the same as that operation on the operation panel.

**ATTENTION: If the "HOLD" key of the Video-55 is in the locked state, pressing the "POWER" key on the remote control will turn off the power.**

#### 2) Turning off the power

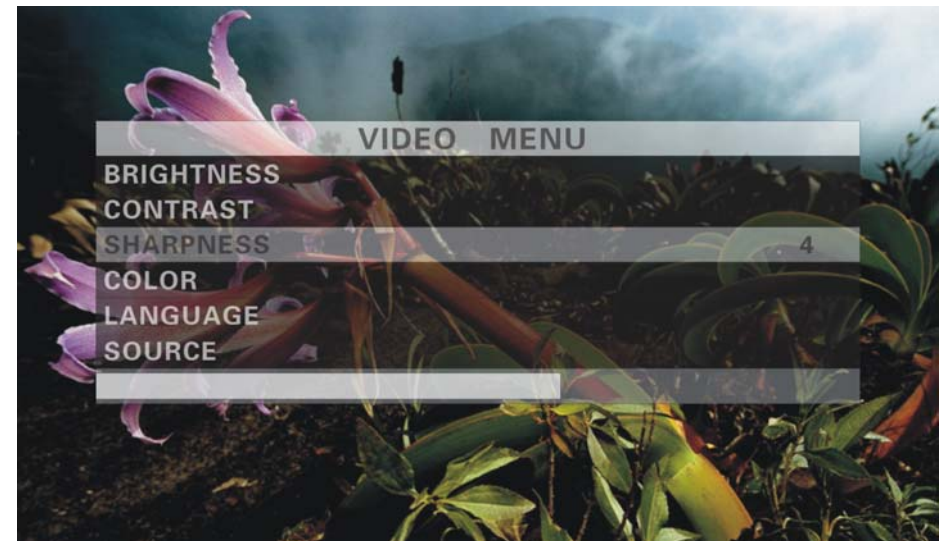
If the "HOLD" key is locked when the Video-55 is in standby status, the power will be turned off, and the status light will be off.

**ATTENTION: If the "HOLD" key of the Video-55 is in the released state, pressing the "POWER" key on the remote control of the Video-55 will cause it**

**to enter standby status instead of turning off the power of the Video-55.**

## Advanced operations

Advanced Video-55 operations are realized through the "Video-55 MENU" displayed by pressing the "MENU" key. When the MENU key on the control panel or the remote control is pressed once, the Video-55 MENU will be displayed in a semi-transparent state on the display screen. The user can select items from the Video-55 MENU using the "◀, ▶" keys and adjust the parameter using the "+, -" keys.



## 1 Display brightness adjustment

- a. Press the "MENU" key on the control panel or the remote control to display the VIDEO MENU."
- b. Select "BRIGHTNESS" using the "◀, ▶" keys on the control panel or the remote control. The selected item will have a different color from the unselected items. In the meantime, the numeric level describing the current status of the selected item will appear to the right of the selected item. A corresponding display in graphic form will also be shown at the bottom of the "VIDEO MENU."
- c. Use the "+, -" keys on the control panel or the remote control to adjust to an appropriate number. The larger the number, the higher the brightness and vice versa. The adjustment range is 1-100.
- d. Press the "MENU" key on the control panel or the remote control again to exit the "VIDEO MENU."

VIDEO MENU	
BRIGHTNESS	75
CONTRAST	
SHARPNESS	
COLOR	
LANGUAGE	
SOURCE	

## 2 Display contrast adjustment

- a. Press the "MENU" key on the Video-55 control panel or remote control to display the VIDEO MENU."
- b. Select "CONTRAST" using the "◀, ▶" keys on the Video-55 control panel or remote control. The selected item will have a different color from the unselected items. In the meantime, the numeric level describing the current status of the selected item will appear to the right of the selected item. A corresponding display in graphic form will also be shown at the bottom of the "VIDEO MENU."
- c. Use the "+, -" keys on the Video-55 control panel or the remote control to adjust to an appropriate number. The larger the number, the higher the contrast and vice versa. The adjustment range is 1-100.
- d. Press the "MENU" key on the Video-55 control panel or remote control again to exit the "VIDEO MENU."

VIDEO MENU	
BRIGHTNESS	
CONTRAST	60
SHARPNESS	
COLOR	
LANGUAGE	
SOURCE	

### 3 Display sharpness adjustment

- Press the "MENU" key on the Video-55 control panel or remote control to display the VIDEO MENU."
- Select "SHARPNESS" using the "◀, ▶" keys on the Video-55 control panel or remote control. The selected item will have a different color from the unselected items. In the meantime, the numeric level describing the current status of the selected item will appear to the right of the selected item. A corresponding display in graphic form will also be shown at the bottom of the "VIDEO MENU."
- Use the "+, -" keys on the Video-55 control panel or remote control to adjust to an appropriate number. The larger the number, the higher the sharpness and vice versa. The adjustment range is 1-6.
- Press the "MENU" key on the Video-55 control panel or the remote control again to exit the "VIDEO MENU."

VIDEO MENU	
BRIGHTNESS	
CONTRAST	
SHARPNESS	4
COLOR	
LANGUAGE	
SOURCE	
<input type="text"/>	

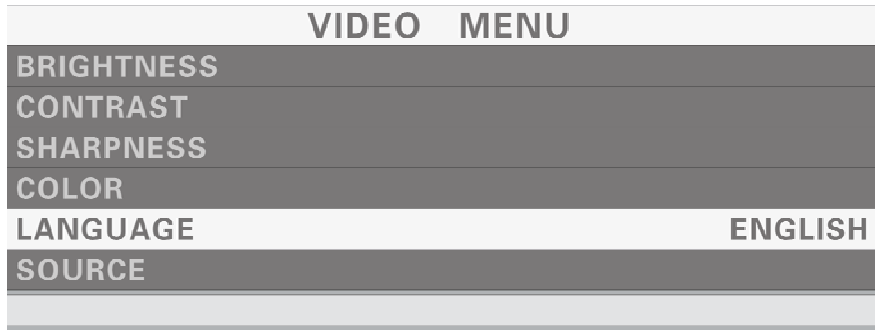
### 4 Display color saturation adjustment

- Press the "MENU" key on the control panel or remote control to display the "VIDEO MENU."
- Select "COLOR" using the "◀, ▶" keys on the control panel or remote control. The selected item will have a different color from the unselected items. In the meantime, the numeric level describing the current status of the selected item will appear to the right of the selected item. A corresponding display in graphic form will also be shown at the bottom of the "VIDEO MENU."
- Use the "+, -" keys on the control panel or remote control to adjust to an appropriate number. The larger the number, the higher the degree of color saturation and vice versa. The adjustment range is 1-100.
- Press the "MENU" key on the control panel or remote control again to exit the "VIDEO MENU."

VIDEO MENU	
BRIGHTNESS	
CONTRAST	
SHARPNESS	
COLOR	45
LANGUAGE	
SOURCE	
<input type="text"/>	

## 5 Display language

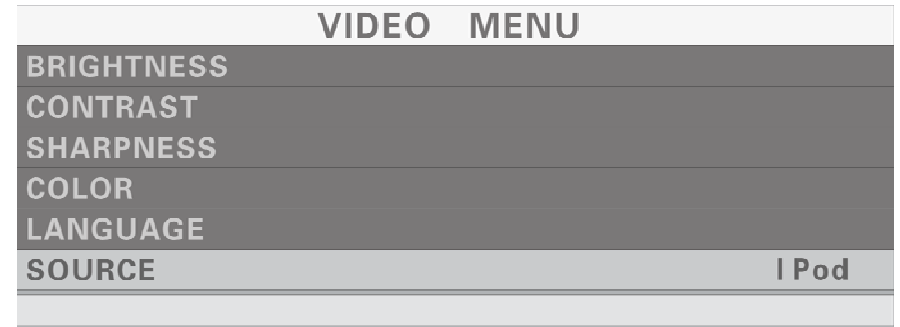
- Press the "MENU" key on the Video-55 control panel or the remote control to display the VIDEO MENU."
- Select "LANGUAGE" using the "◀, ▶" keys on the Video-55 control panel or remote control. The selected item will have a different color from the unselected items. In the meantime, the current language status will appear to the right of the selected item.
- Press the "MENU" key on the Video-55 control panel or remote control again to exit the "VIDEO MENU."



## 6 Select video/audio signal source

- Press the "MENU" key on the control panel or remote control to display the "VIDEO MENU."
- Select "SOURCE" using the "◀, ▶" keys on the control panel or remote control. In the meantime, the current signal source will appear to the right of the selected item.
- Select iPod ® or another video/audio player as the current video/audio signal source with higher priority using "+, -" keys.

- Press the "MENU" key on the control panel or remote control again to exit the "VIDEO MENU."



**ATTENTION:** When VIDEO is MENU through the VIDEO MENU, another video/audio signal source connected to the AV IN interface will be selected. When this device is turned off and then turned on again, the device will automatically give higher priority to the iPod ® program source.

## System parameters

### 1 Interface

- 1) DC IN: 9V 2A DC power input terminal
- 2) AV IN: AV input
- 3) AV OUT: AV output
- 4) Earphone output
- 5) Data terminal: Mini USB socket

### 2 Specifications

- |                       |                           |
|-----------------------|---------------------------|
| 1) Audio system mode  | 2-channel                 |
| 2) Power (PMPO)       | 20 W x 2                  |
| 3) Frequency response | 200-18 kHz                |
| 4) Display screen     | 7-inch 16:9               |
| 5) Resolution         | 480 x RGB x 234           |
| 6) Power supply       | Input AC110V-260V/50/60Hz |

## Troubleshooting

Symptom	Possible problem	Solution
The status light is not on (when AC power is used)	Power is not turned on.	Release HOLD to turn on the power.
	The power cord is not connected to the wall outlet, and/or the power connector is not plugged into the power socket on the back.	Insert the power plug into a wall outlet and plug the power connector into the power socket.
	The power for the voltage stabilizer (if one is used) is not turned on.	If the power cable has been plugged into the voltage stabilizer, please make sure that the voltage stabilizer power has been turned on
	The outlet on the wall is inoperable.	Plug another device into the (same) wall outlet to make sure that the outlet works properly.
The remote control does not work	The remote control is out of its effective range	Move the remote control into the effective range
	There is an obstacle between the device and the remote control	Move the obstacle or move the remote control into the effective range without the obstacle

Symptom		Possible problem	Solution
		The battery of the remote control is discharged	Replace the battery (see the quick-reference card for details of the procedure)
There is radio wave interference		Too close to the radio transmission tower	Move the speaker to see if the interference disappears. You can buy a shielded cable at the local electronics store.
The display screen has problems	A black screen is displayed when the device is turned on	The power is not turned on when using an external power supply.	Release HOLD to turn on the power switch
		When using an external power supply, the power cord is not connected to the wall outlet.	Insert the power plug into a outlet wall
		When using an external power supply, the power connector is not connected to the power socket on the back of the Video-55 system.	Plug the power connector into the DC socket.

Symptom		Possible problem	Solution
		The rechargeable battery is discharged	Charge the device [sic; battery] or use an external power supply
		The rechargeable battery is making poor contact	Establish close contact between the rechargeable battery and the device
A black screen is displayed when video/audio files are played		The video/audio file has no video signal output, and the device has entered screensaver status	Normal, play video signal
		The power supply comes loose when using an external power supply	Fasten the power supply outlet
		The rechargeable battery is discharged	Charge the device or use an external power supply
A blue screen is displayed when the device is turned on		The video/audio player is not connected correctly	Correctly connect iPod ® or other video/audio player
		The video/audio signal input interface is not MENU correctly	Make sure that iPod ® or VIDEO is selected for video/audio signal input in the VIDEO MENU
		The video/audio player is in blue screen status	Operate the video/audio player to start playing

Symptom		Possible problem	Solution
	A blue screen is displayed when a video/audio file is played	The video/audio file has no video signal output. The device enters blue screen status within the next two minutes. The device then enters the screensaver mode.	Normal, play video signal
		The video/audio signal input interface comes loose	Fasten the video/audio signal input terminal
	There is noise on the screen	There is strong magnetic field interference near the display screen	Select an appropriate place to position the device
		The output signal of the video/audio equipment has quality problems	Change to a video/audio program source with better quality
		The video/audio signal input interface is making poor contact	Check whether the plug is inserted all the way
	Speaker has problems	Speaker outputs no sound	Power is not turned on

Symptom		Possible problem	Solution
			Check whether the power switch is in the "on" position and whether the indicator light is on.
		The volume is too low	Press "+" key to increase the volume
		iPod ® 30pin interface is not in the correct connection position	Check the volume of the backup audio equipment and MENU the volume to medium.  Remove the iPod ® and reinsert it.
		3.5 mm stereo cable is not connected to the audio source.	Connect the 3.5 mm stereo cable to the audio source. Make sure that these signal cables are firmly inserted into the correct sockets.
		3.5 mm stereo cable is connected to an incorrect audio source output terminal.	Unplug the 3.5 mm stereo cable from the audio source and connect it to the line out, audio-out or earphone jack of another audio source (such as a portable CD player, casMENUte player, or FM radio) in order to test the speaker with another audio source.

Symptom		Possible problem	Solution
		The audio source has problems.	Check whether the iPod ® is connected at the correct position. Check whether the 3.5 mm stereo cable is connected properly. Make sure that it is connected to the line-out, audio-out or earphone jack instead of to the speaker-out of the sound card or other audio source.
	Speaker makes crackling noises	Bad connection	Remove the stereo cable from the audio source equipment and plug it into the earphone jack of another audio source (such as a Walkman, Discman, or FM radio).
	Speaker makes crackling sounds (when connected to a PC)	The volume of the operating system is too high	Lower the volume
	Sound distortion	The volume of the Video-55 system is too high	WAV and .MID files often have relatively poor sound quality. Therefore, distortion and noise tend

Symptom		Possible problem	Solution
			to occur when using high-power speakers. Try other audio sources, such as a music CD.
		The audio source is distorted	Check the volume of the operating system and lower it if necessary
	Sound is distorted (when connected to a PC)	The volume of the operating system is too high	



## Free Manuals Download Website

<http://myh66.com>

<http://usermanuals.us>

<http://www.somanuals.com>

<http://www.4manuals.cc>

<http://www.manual-lib.com>

<http://www.404manual.com>

<http://www.luxmanual.com>

<http://aubethermostatmanual.com>

Golf course search by state

<http://golfingnear.com>

Email search by domain

<http://emailbydomain.com>

Auto manuals search

<http://auto.somanuals.com>

TV manuals search

<http://tv.somanuals.com>