

Digital Color Printer

Instructions for Use

CE

UP-D23MD

Owner's Record

The model and serial numbers are located at the rear. Record these numbers in the space provided below. Refer to these numbers whenever you call upon your Sony dealer regarding this product.

Model No. _____



Serial No. _____

WARNING

To prevent fire or shock hazard, do not expose the unit to rain or moisture.

To avoid electrical shock, do not open the cabinet. Refer servicing to qualified personnel only.

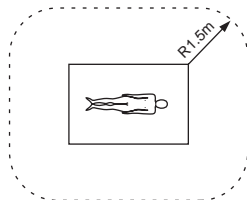
THIS APPARATUS MUST BE EARTHED.

	<p>This symbol indicates the equipotential terminal which brings the various parts of a system to the same potential.</p>
	<p>This symbol is intended to alert the user to the presence of important operating and maintenance (servicing) instructions in the literature accompanying the appliance.</p>

Important safeguards/notices for use in the medical environments

1. All the equipments connected to this unit shall be certified according to Standard IEC60601-1, IEC60950, IEC60065 or other IEC/ISO Standards applicable to the equipments.
2. When this unit is used together with other equipment in the patient area*, the equipment shall be either powered by an isolation transformer or connected via an additional protective earth terminal to system ground unless it is certified according to Standard IEC60601-1.

* Patient Area



3. The leakage current could increase when connected to other equipment.
4. This equipment generates, uses, and can radiate frequency energy. If it is not installed and used in accordance with the instruction manual, it may cause interference to other equipment. If this unit causes interference (which can be determined by

unplugging the power cord from the unit), try these measures: Relocate the unit with respect to the susceptible equipment. Plug this unit and the susceptible equipment into different branch circuit. Consult your dealer. (According to standard EN60601-1-2 and CISPR11, Class B, Group 1)

Caution

When you dispose of the unit or accessories, you must obey the law in the relative area or country and the regulation in the relative hospital.

Warning on power connection

Use a proper power cord for your local power supply.

Warning on power connection for medical use

Please use the following power supply cord. With connectors (plug or female) and cord types other than those indicated in this table, use the power supply cord that is approved for use in your area.

	United States	Canada
Plug Type	HOSPITAL GRADE*	HOSPITAL GRADE*
Female end	E62405, E35708	LR53182, LL022442, LL088408
Cord type	E159216, E35496 Min.Type SJT Min.18 AWG	LL112007-1, LL20262, LL32121, LL84494 Min.Type SJT Min.18AWG
Minimum cord set rating	10A/125V	10A/125V
Safety approval	UL Listed	CSA

*Note: Grounding reliability can only be achieved when the equipment is connected to an equivalent receptacle marked 'Hospital Only' or 'Hospital Grade'.

For the customers in the U.S.A.

This equipment has been tested and found to comply with the limits for a Class A digital device, pursuant to Part 15 of the FCC Rules. These limits are designed to provide reasonable protection against harmful interference when the equipment is operated in a commercial environment. This equipment generates, uses, and can radiate radio frequency energy and, if not installed and used in accordance with the instruction manual, may cause harmful interference to radio communications. Operation of this equipment in a residential area is likely to cause harmful interference in which case the user will be required to correct the interference at his own expense.

You are cautioned that any changes or modifications not expressly approved in this manual could void your authority to operate this equipment.

This device requires shielded interface cables to comply with FCC emission limits.

For the customers in Canada

This unit has been certified according to Standard CSA C22.2 NO.601.1.

Table of Contents

Getting Started

System Overview	5
System Configuration	5
Location and Function of Parts and Controls	5
Front Panel	5
Rear Panel	6
Supplied Accessories	6
Assembly	7
Connections	7
USB Port Connection	7
Installing the Printer Driver	8

Operation

Before Printing	9
Loading an Ink Ribbon	9
Loading Paper	11
Printing	12

Miscellaneous

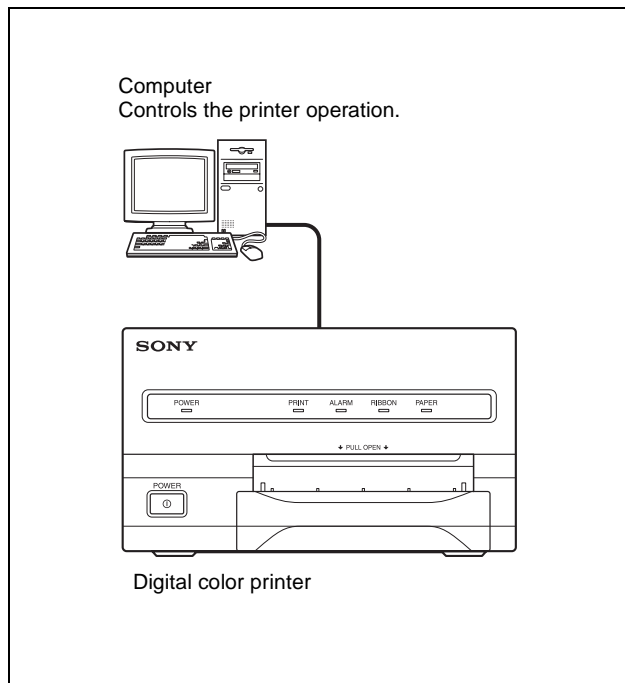
Precaution	14
Safety	14
Installation	14
Before Transporting the Printer	14
Cleaning	15
Ink Ribbon and Paper	15
Specifications	16
Troubleshooting	17
Indicators on the Front Panel	17
If the Paper Jams	18
Index	21

System Overview

The UP-D23MD digital color printer is designed to reproduce computer images on A-6 size paper. You can print out computer image data in full color (with 256 shades per color, a total of more than 16,700,000 colors in all) in high resolution print mode (approximately 403 dpi).

System Configuration

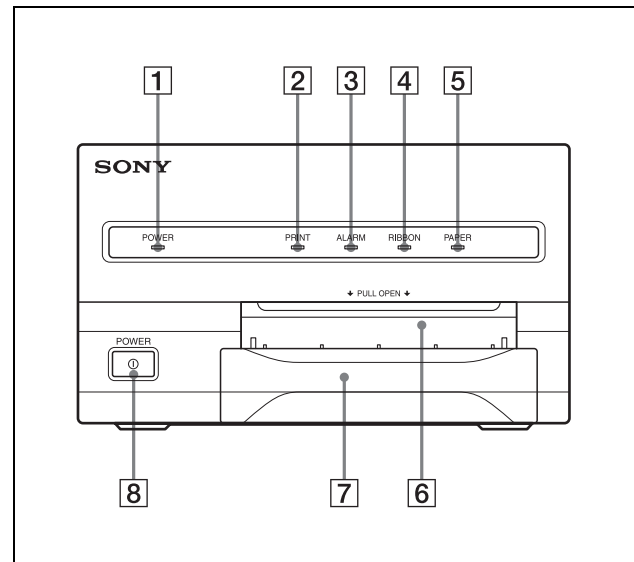
The following shows an example of a printer system configuration.



Location and Function of Parts and Controls

For details, refer to the pages given in parentheses.

Front Panel

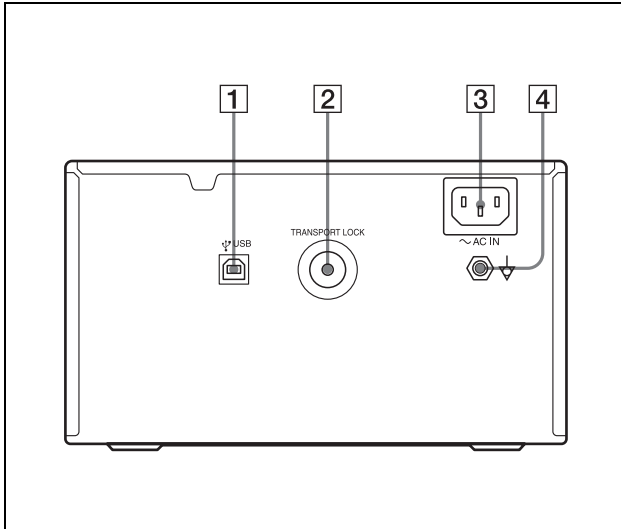


- 1 POWER indicator**
Lights when the POWER switch of the printer is set to ON.
- 2 PRINT indicator (17)**
Lights while the printer is printing.
- 3 ALARM indicator (17)**
Lights in orange in case of paper jamming or occurrence of any other problem.
- 4 RIBBON indicator (17)**
Lights when a problem for ink ribbon occurs.
- 5 PAPER indicator (17)**
Lights when a problem for paper occurs.

The printer allows you to check the printer operating condition according to the lighting conditions of the PRINT indicator, ALARM indicator, PAPER indicator and RIBBON indicator. For details, see "Indicators on the Front Panel" on page 17.

- 6 **Paper output slot**
Printed pages are ejected here.
- 7 **Paper tray (7)**
Load paper into this tray.
- 8 **Ⓛ POWER switch (12)**
Press this switch to turn the printer on or off.

Rear Panel

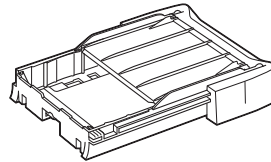


- 1 **Ⓛ (USB) connector (7)**
Connects to a computer or another USB peripheral device with a USB cable (supplied).
- 2 **TRANSPORT LOCK button (14)**
Press this button to secure the internal thermal head when transporting the printer.
- 3 **~ AC IN connector**
Use a proper power cord for your local power supply (not supplied).
Refer to “Warning on power connection” and “Warning on power connection for medical use” on page 2.
- 4 **Ⓛ Equipotential ground terminal connector**
Used to connect to the equipotential plug to bring the various parts of a system to the same potential.
Refer to “Important safeguards/notices for use in the medical environments” on page 2.

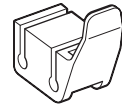
Supplied Accessories

The printer is packed together with the following accessories. Check that nothing is missing from your package.

Paper Tray (1)



Stopper (1)



USB connecting cable (1)
Software Licence Agreement (1)
CD-ROM (1)
Thermal head cleaning cartridge (1)
Before Using this Printer (1)

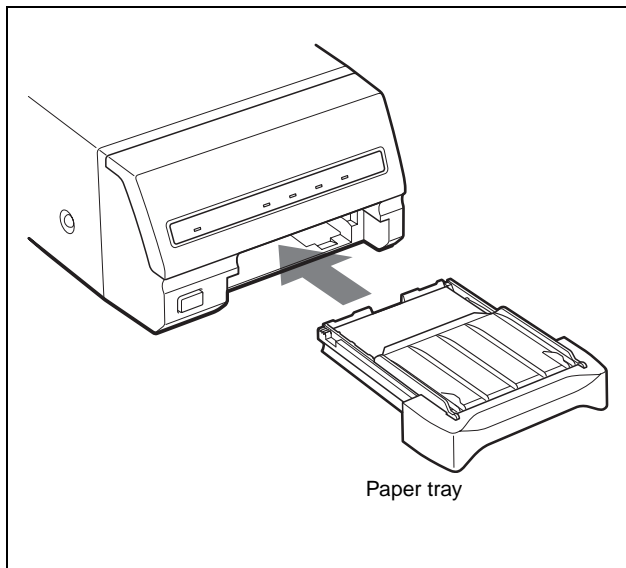
Notes

- Retain the original carton and packing materials in case you have to transport the unit in the future.
- Remove the ink ribbon cartridge and paper tray when transporting the printer.
- When transporting the printer, secure the thermal head. (For detailed information on how to secure it, see “Before Transporting the Printer” on page 14.)

Assembly

To attach the paper tray

For details of how to load the ink ribbon and paper, see “Loading an Ink Ribbon” on page 9 and “Loading Paper” on page 11.



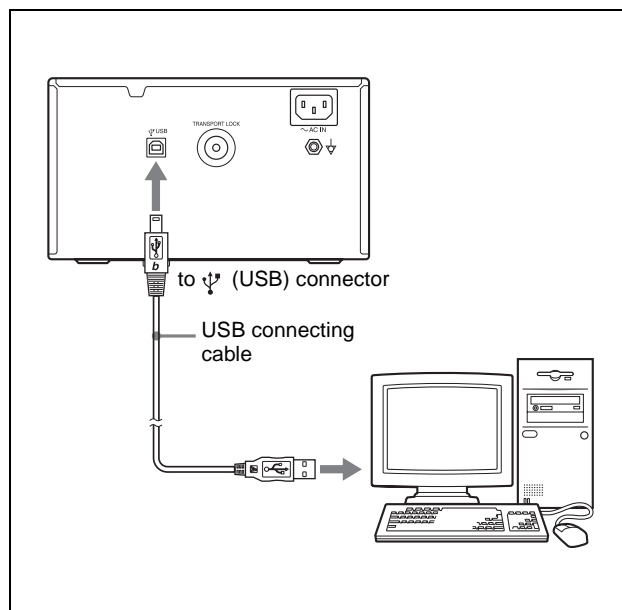
Connections

After connecting the USB connecting cable (supplied) to the printer and the computer, connect the power cord. For details about the printer connection, refer to the manuals for the computer or other peripheral devices.

Notes

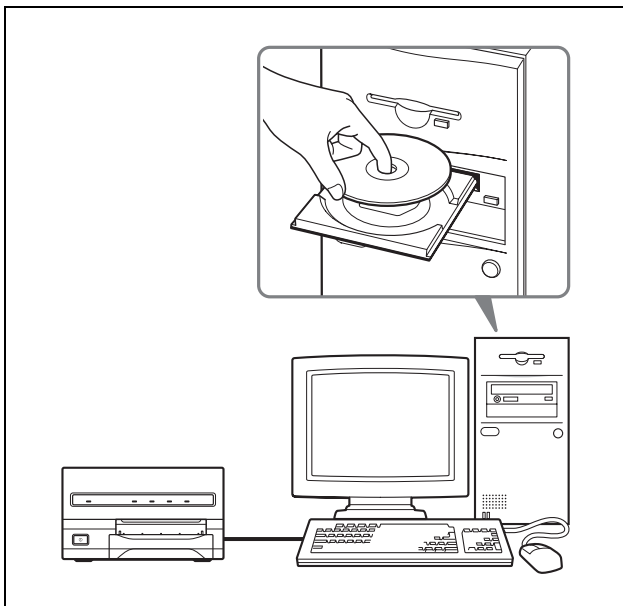
- Before connecting the printer to the computer, turn off the printer, computer, monitor, and all peripheral devices connected to the computer.
- Before connecting the printer to the computer, disconnect the power cord from the printer. Connect the power cord to the printer only after connecting the printer and the computer.
- The printer is provided with a USB interface that can be connected to any computer equipped with a USB interface.
- Follow the connection procedures described in the computer manual.
- Make sure that the interface cable is connected securely at both ends.
- The printer drive software provided with the printer is not suitable for using the printer connected to a network.
- Operation of the printer is not guaranteed for connection to a USB hub.

USB Port Connection



Installing the Printer Driver

Install the printer driver provided with the printer. For detailed instructions on how to install the printer driver, refer to the Readme.txt file on the printer driver installer disc.



About USB (Universal Serial Bus) Specification Revision 2.0

- The UP-D23MD complies with the USB 2.0 specification.
- USB 2.0 is a newer standard than USB 1.1, but provides backward compatibility.
- USB 2.0 supports Hi-speed USB, in addition to the existing Full (Low) speed.
- The UP-D23MD can be connected as Full-speed in a USB 1.1 environment. However, to use the UP-D23MD with Hi-speed USB functions in a USB 1.1 environment, the following requirements must be met.
 - Computer
 - A computer which supports Hi-speed USB (conforming to the USB 2.0 specification) ^{a)}
 - OS
 - Windows2000/XP ^{b)}
 - USB 2.0 device driver
 - USB 2.0 device driver produced by Microsoft Corporation. (Operation using USB 2.0 drivers other than ones produced by Microsoft Corporation is not guaranteed.)
 - USB 2.0 cable
 - Use the 2-m cable supplied with the UP-D23MD.

^{a)} Operations of all of devices which conform to USB 2.0, or all USB 2.0 extension boards/extension cards cannot be guaranteed.

^{b)} If your OS is Windows98/ME, up to Full-speed USB is supported.

Note

When the UP-D23MD is connected to the computer with the power turned on, do not turn your computer to standby mode (suspend status) or in pause mode. Doing so may cause a malfunction of the operation.

Before Printing

This section describes the operations below that must be made before printing, but after mounting the paper tray on the printer (see “Assembly” on page 7) and after making the necessary connections (see “Connections” on page 7).

- Loading an ink ribbon (See below.)
- Loading paper (See page 11.)

Once the above operations have been completed, there should be no need to repeat them during routine printing. Perform them only as necessary.

Notes

- You can replace the ink ribbon or load paper regardless of whether the power is on or off. However, turning off the power will cause the image stored in the memory to be lost.
- Use the ink ribbon and paper contained in the same package as a pair. Before attempting to load an ink ribbon or paper, make sure that the combination of the ink ribbon and paper is compatible. When either an ink ribbon or paper has been exhausted, replace both the ink ribbon and paper at the same time.
- Use only ink ribbon and paper designed for use with this printer. Failing to do so is likely to result in malfunctions. (See “Ink Ribbon and Paper” on page 15.)

Loading an Ink Ribbon

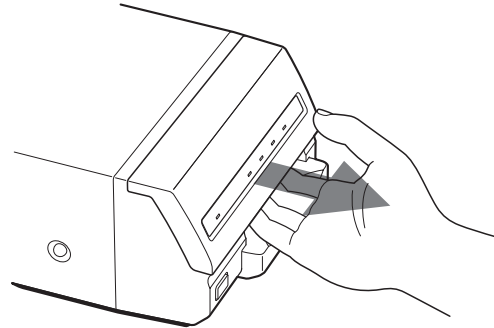
Load an ink ribbon into the printer’s ink ribbon compartment.

Notes

- **When you use the printer for the first time, the thermal head may be out of position. Before attempting to use the ink ribbon, turn on the power under the condition where the front panel is closed so that the thermal head is placed at the correct position.**
- When transporting the printer, remove the ink ribbon and secure the thermal head.
- If a blank sheet of paper is ejected, and the RIBBON indicator lights, the ink ribbon has been exhausted. Replace the paper together with the ink ribbon. Do not reuse the ejected blank paper.
- Once an ink ribbon has been completely used up, replace it. An ink ribbon is not reusable.
- Do not rewind the ink ribbon for reuse.

- Do not touch the ink ribbon or place it in a dusty location. Finger prints or dust on the ink ribbon will result in imperfect printing or malfunction of the head.
- **Use the ink ribbon and paper supplied with the printer for the initial operation check of the printer.**

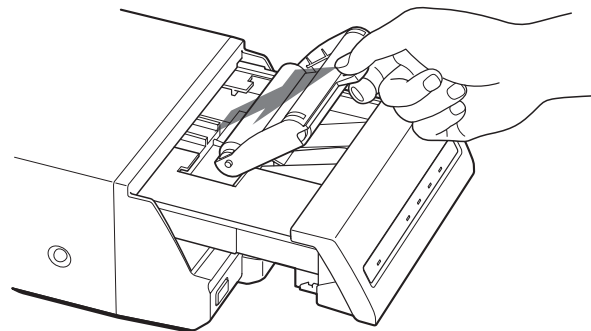
- 1 Open the front panel by pulling the front panel toward you.



Note

Be sure not to open the front panel when printing.

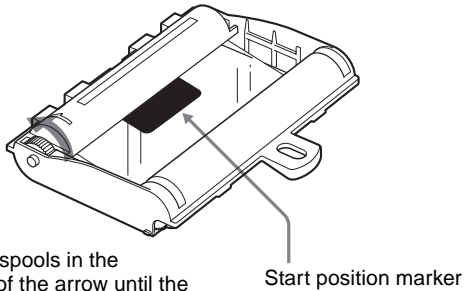
- 2 Remove the spent ink ribbon. When you use the printer for the first time, this operation is not required.



3 Remove any slack from the ink ribbon.

Note

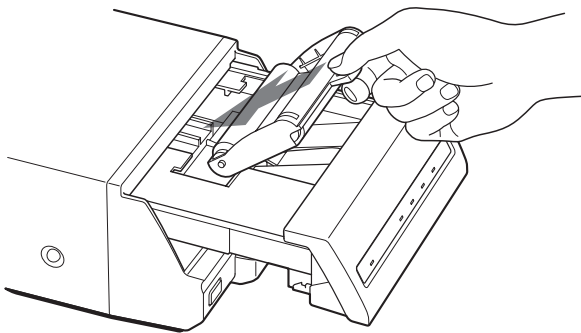
If the ribbon is left slack, it may be damaged when inserted.



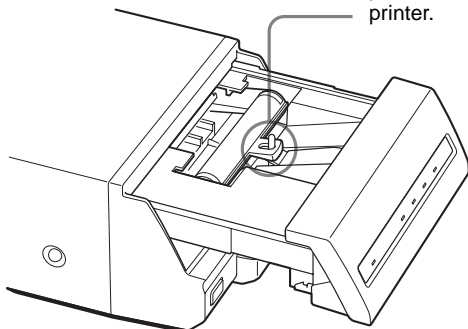
Wind the spools in the direction of the arrow until the start position marker appears as illustrated.

Start position marker

4 Load the new ink ribbon into the ink ribbon compartment.



Insert the hole of the handle of the ink ribbon over the protruberance of the printer.

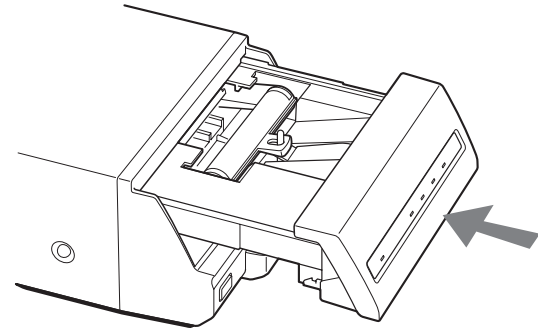


5 Close the front panel by pushing the point marked with "PULL OPEN".

Note

Be sure to close the front panel completely. If you do not, a paper jam or a malfunction may occur

while you are printing or cleaning the internal thermal head.



Push the point marked "PULL OPEN".

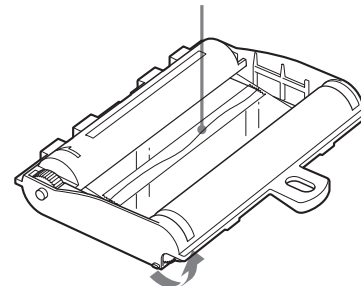
When storing ink ribbon cartridge:

- Avoid placing the ink ribbon in a location subject to:
 - high temperatures
 - high humidity
 - excessive dust
 - direct sunlight
- Store a partially used ink ribbon in its original packaging.

If your ink ribbon should tear

Repair the tear with transparent tape. There should be no problem with using the remaining portion of the ribbon.

Transparent tape



Turn the spools in the direction of the arrow to remove any slack until the transparent tape cannot be seen.

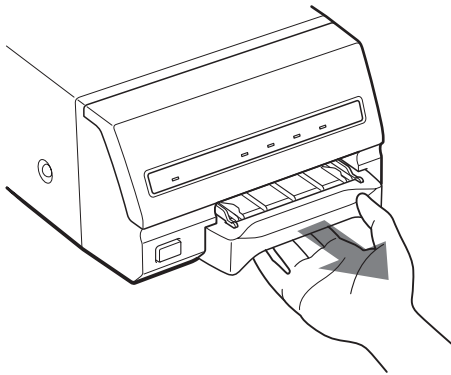
Loading Paper

To load paper, follow the procedure below. Be careful not to touch the printing surface.

Notes

- Use only paper recommended. Failing to do so is likely to result in malfunctions such as paper jams. (See “Ink Ribbon and Paper” on page 15.)
- When a blank sheet of paper is ejected and the RIBBON indicator lights, the ink ribbon has been exhausted. Replace the paper together with the ink ribbon. Do not use the ejected blank paper.

1 Remove the paper tray.

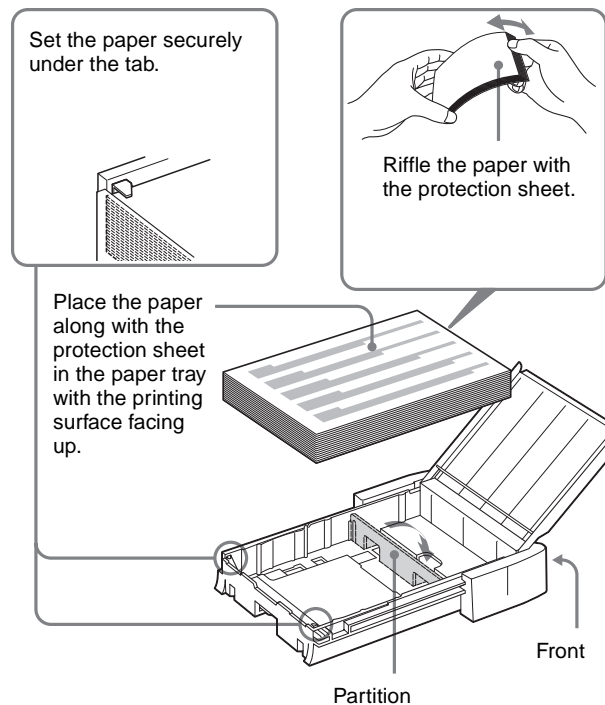


- ### 2 Place the paper in the paper tray so that the printing surface faces up with the protection sheet on top.
- When the UPC-21L printing pack is used:** Lay the partition down.
- When the UPC-21S printing pack is used:** Raise the partition.

Notes

- The paper tray holds up to 50 sheets of paper when the UPC-21L printing pack is used and 80 sheets of paper when the UPC-21S printing pack is used.
- When handling the paper, do not touch the printing surface. Dust or finger prints are likely to cause unsatisfactory printing or malfunction of the head. Grasp the paper by the printing surface protection sheet.
- When loading the paper, load the paper so that it lays flat in the paper tray. If the paper is curled, it will overflow from the paper tray and paper may not be fed properly. Be sure to riffle the paper along with the protection sheets before attempting to place the paper in the paper tray.

- Do not place different types of paper in the tray at the same time.



- ### 3 Remove the protection sheet placed on the top of the paper.
- ### 4 Slide the paper tray back into the printer until it clicks into place.

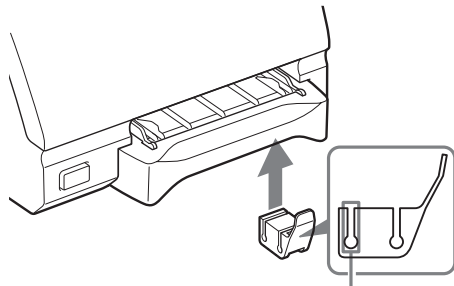
When storing the paper

- Avoid storing the paper in a location subject to:
 - high temperatures
 - high humidity
 - excessive dust
 - direct sunlight
- Use the original package for storing unused paper.

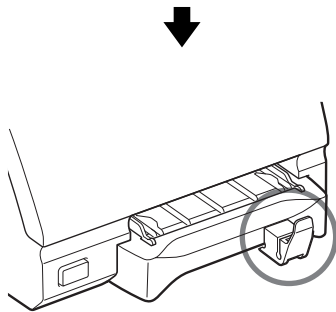
Attaching the stopper

When multiple printouts are being ejected, printouts accumulated on the paper tray may be pushed out of the paper tray when a new printout is ejected.

To prevent them from being pushed, attach the supplied stopper as illustrated.



Insert the edge of the paper tray into this groove.



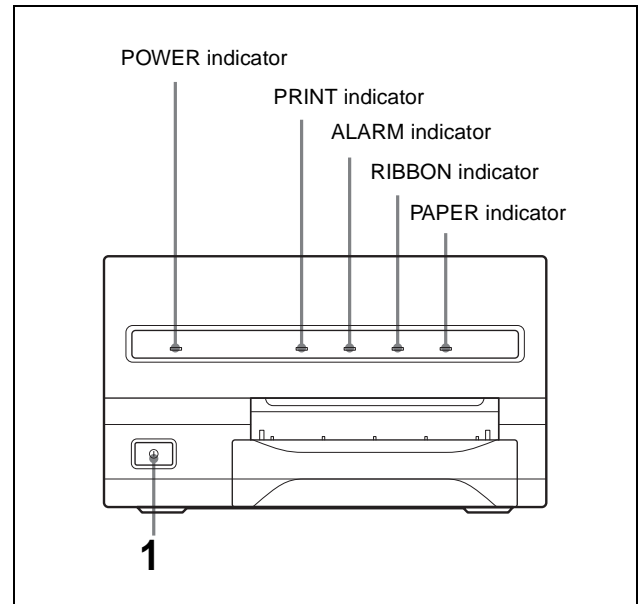
Note

Do not leave more than 10 sheets of ejected printouts on the paper tray. Doing so may cause a paper jam.

Printing

Before printing

- Ensure that the printer is properly connected to the computer.
- Ensure that the ink ribbon and paper are properly loaded.
- Ensure that the printer driver has been installed.



- 1 Press the POWER switch to turn the printer on. The POWER indicator lights. PRINT, ALARM, RIBBON and PAPER indicators light at the same time, then all of them go out.

Notes

- Turn the printer on first.
- Do not turn the computer off and on while it is accessing a hard or floppy disk.

- 2 Turn on the power of the computer.
- 3 Execute the print job with software application. While the printer is receiving the image data from the computer, the PRINT indicator blinks. While the printer is printing, the PRINT indicator lights.

Note

- Do not turn off the power during printing. If you do so, paper may not be ejected and may jam in the printer.
- Do not pull the paper out till the printer finishes printing.
- You can make multiple copies of identical printouts. However, the printer may stop printing for various reasons. In such a case, remove the printouts

accumulated on the paper tray. The printer will start automatically to print the remaining copies.

If the printer does not print

The printer will fail to print when the ALARM, PAPER, and/or RIBBON indicator light.

For details, see “Indicators on the Front Panel” on page 17.

If the paper or ink ribbon runs out during printing

The printer stops the printing operation.

Load the paper into the paper tray and the ink ribbon.

Printing of remaining copies is automatically started.

When storing your printouts

- Avoid storing the printout in a location subject to high temperatures, high humidity, excessive dust and direct sunlight.
- Do not stick tape on a printout. Also, avoid leaving a plastic eraser on a printout or placing a printout in contact with materials which contain plasticizer (under a desk mat, for example).

Precaution

Safety

- Operate the printer using the power source specified in “Specifications” on page 16.
- Be careful not to damage the AC power cord by placing or dropping heavy objects on it; it is dangerous to use the unit with a damaged AC power cord.
- If you do not intend to use the unit for a long time, disconnect the AC power cord.
- Unplug the AC power cord by grasping the plug, not the cable itself.
- Do not disassemble the unit.
- Do not remove the cover. There is a danger of electric shock from the internal parts.
- Be careful not to spill water or other liquids on the unit, or to allow combustible or metallic material to enter the cabinet. If used with foreign matter in the cabinet, the unit is liable to fail, or present a risk of fire or electric shock.
- Ventilation holes are provided to prevent the unit from overheating. Be careful not to obstruct them with other units or by covering the unit with a cloth, etc.
- If the unit malfunctions or if a foreign body falls into the cabinet, disconnect the AC power cord immediately and consult your Sony service facility or your Sony dealer.

Installation

- Avoid placing the unit in a location subject to:
 - mechanical vibration
 - high humidity
 - excessive dust
 - direct or excessive sunlight
 - extremely high or low temperatures
- Do not use other electronic equipment near the unit. The unit will not work properly in strong electromagnetic fields.
- Do not place a heavy object such as a monitor on the printer.

Condensation

- If the printer is subject to wide or sudden changes in temperature, such as when it is moved from a cold room to a warm room or when it is left in a room with a heater that tends to produce large amounts of moisture, condensation may form inside the printer. In such cases the printer will probably not work properly,

and may even develop a fault if you persist in using it. If condensation forms, turn off the power and leave the printer to stand for at least one hour.

- If the printing pack is subjected to wide or sudden changes in temperature, condensation may form on the ink ribbon or paper. This will cause the printer to malfunction. Also, if the printing pack is used in this state, spots are likely to appear on the printout. Therefore, avoid storing the printing pack in locations subject to wide or sudden changes of temperature.
- To store a half-used printing pack, replace it in its original packing and reseal the package. If possible, keep the sealed printing pack in a cool, dark location. To subsequently use the printing pack, place it, in its sealed package, in a warm room for several hours. Doing so prevents condensation from forming when the printing pack is removed from its package.

Location

To prevent internal heat built-up, leave enough room around the printer for air to circulate through the vents on the left hand side and top of the cabinet.

Before Transporting the Printer

Before transporting the printer, use the following procedure to remove the supplied accessories and then put them back into their original packing. Transporting the printer with the supplied accessories still installed may cause malfunctions.

- 1 Remove the ink ribbon and the paper tray.
- 2 Secure the internal thermal head, as follows:
 - ① Turn on the printer.
 - ② Press the TRANSPORT LOCK button on the rear panel of the printer. The PRINT, ALARM, RIBBON and PAPER indicators are blinking and the printer operation tone keeps sounding for about two seconds.
 - ③ When the printer operation tone stops sounding, turn off the power of the printer.

The thermal head is now secured.

To release the thermal head

Turn on the printer again. The thermal head moves so that you can now install the ink ribbon again.

Cleaning

Note

Be sure to turn off the power of the printer before cleaning.

Cleaning the cabinet

Clean the cabinet, panel and controls with a soft dry cloth, or a soft cloth lightly moistened with a mild detergent solution. Do not use any type of solvent, such as alcohol or benzine, which may damage the finish.

Cleaning the thermal head

Clean the thermal head with the thermal head cleaning cartridge (supplied) if the printout quality deteriorates, for example, when the white stripes begin to appear on the printout.

It is recommended that you clean the thermal head after every 10 packs of paper to keep the printout quality at its best.

- 1 Remove the paper tray and remove the paper.
- 2 Place the cleaning sheet in the paper tray so that the shiny surface faces down.

Notes

- Be sure to use the cleaning sheet supplied with the UPC-21L/21S color printing pack.
- Do not reuse the old cleaning sheet.

- 3 Load the cleaning cartridge into the ribbon compartment.
Immediately after you load the paper tray with the cleaning sheet and cleaning cartridge, the RIBBON indicator goes off and the printer starts cleaning the thermal head automatically.
When the printer has completed cleaning the thermal head, the RIBBON indicator goes on again.

Note

When you load the cleaning cartridge into the ink ribbon compartment with the printer's power on, the printer starts cleaning.
If the printer is not turned on, even though you turn on the power after loading the cleaning cartridge, the printer will not start cleaning.

Ink Ribbon and Paper

Both paper and an ink ribbon are necessary for printing. Use the ink ribbon with the paper contained in the same package.

UPC-21S Color Printing Pack

Contains color ink ribbon cartridge and paper.

Color ink ribbon, 3 rolls

90 × 100 mm (3 5/8 × 4 inches) size paper, 1 package (80 sheets) × 3

UPC-21L Color Printing Pack

Contains color ink ribbon cartridge and paper.

Color ink ribbon, 4 rolls

100 × 144 mm (4 × 5 3/4 inches) size paper, 1 package (50 sheets) × 4

Note

If the paper has been exhausted, replace the ink ribbon together with the paper.



Specifications

Power requirements

100 to 120 V AC, 50/60 Hz
(for 100 to 120 V AC users)

220 to 240 V AC, 50/60 Hz
(for 220 to 240 V AC users)

Input Current 1.8 A max. at 25°C
(for 100 to 120 V AC users)

1.0 A max. at 25°C
(for 220 to 240 V AC users)

Operating temperature

5°C to 35°C (41°F to 95°F)

Operating humidity

20% to 80% (no condensation allowed)

Storage and transport temperature

-20°C to 60°C (-4°F to 140°F)

Storage and transport humidity

20% to 90% (no condensation allowed)

Dimensions Approx. 212 × 125 × 395 mm (w/h/d)
(8 3/8 × 5 × 15 5/8 inches)

Mass Approx. 6.5 kg (14 lb 5 oz)

Printing system Sublimation heat transfer printing

Printable pixels When using the UPC-21S and printing
the full-image: 1520 × 1144 dots
When using the UPC-21L and printing
the full-image: 2000 × 1520 dots

Total gradation 256 levels each for yellow, magenta,
and cyan

Printing time When using the UPC-21S:
When the printer is set to high
speed: Approximately 19 seconds
When using the UPC-21L:
When the printer is set to high
speed: Approximately 29 seconds

Thermal head 15.87 dots/mm

⚡ (USB) connector

Universal Serial Bus (USB)
Specification Revision 2.0

Input connector AC IN (for power input)

Supplied accessories

Paper tray (1)
USB connecting cable (1)
Thermal head cleaning cartridge (1)
Stopper (1)
Software License Agreement (1)
Before Using this Printer (1)
CD-ROM (1)

Optional accessories

UPC-21L Color Printing Pack
UPC-21S Color Printing Pack

Medical Specifications

Protection against electric shock:
Class I

Protection against harmful ingress of
water:

Ordinary

Degree of safety in the presence of
flammable anesthetics or oxygen:
Not suitable for use in the presence
of flammable anesthetics or oxygen

Mode of operation:

Continuous

Design and specifications are subject to change without
notice.

Troubleshooting

The following troubleshooting checks will help you correct the most common problems you may encounter with your unit. Before proceeding with these trouble checks, first check that the power cord is firmly connected. Should the problem persist after you have applied the remedy, unplug the unit and contact your Sony dealer or local authorized Sony service facility.

Symptoms	Possible causes and remedies
The printer does not print, even if the command is sent from the computer.	<ul style="list-style-type: none"> The POWER switch of the printer is not set to ON. →Set the POWER switch of the printer to ON. Connections may not be correct. →Check connections and rectify, if necessary. (See page 7.)
The printer does not print.	The problem is indicated by the indicators on the front panel. →See "Indicators on the Front Panel" on page 17.
The printout color is very pale.	The paper is not loaded correctly. →Check which side of the paper is the printing side, then load the paper again. (See page 11.)
The ink ribbon cannot be loaded.	<ul style="list-style-type: none"> You may be trying to load an ink ribbon that can not be used with this printer has been loaded. →Load the appropriate ink ribbon. (See page 15.) The thermal is secured. →Turn on the printer. The thermal head moves so that you can now install the ink ribbon. (See page 14.)
The blank paper is ejected and the RIBBON indicator lights.	The ink ribbon has been exhausted. Do not reuse the ejected blank paper. →Replace the ink ribbon. (See pages 9 and 11.)

Indicators on the Front Panel

If a problem occurs, the indicators on the front panel such as PRINT, ALARM, RIBBON and/or PAPER light or blink to indicate the problem condition. the following table shows the relation between lighting or blinking condition of each indicator and possible cause and remedies.

Indicators		Possible cause and remedies
Lighting	Blinking	
PRINT		Printing
	PRINT	Data receiving
	PRINT (In this case, it blinks slowly.)	The thermal head is being heated so that the printer is ready to start.
RIBBON		<ul style="list-style-type: none"> The ink ribbon has been exhausted. →Replace the old one with a new ink ribbon. (See page 9.) (The ink ribbon cannot be reused.) In this case, if the white paper is ejected. Discard this paper. The ink ribbon has torn. →Repair the torn ink ribbon. (See page 10.)
PAPER		<ul style="list-style-type: none"> Paper has been exhausted. →Load the paper. (See page 11.) Also, replace the ink ribbon. The paper tray is not installed. →Install the paper tray. (See page 7)
ALARM and PAPER		The ink ribbon and paper are not compatible. →Use the ink ribbon and paper contained in the same package. (See page 15.)
ALARM and RIBBON		The wrong ink ribbon and the paper are loaded when replacing them because the ink ribbon and/or paper run out during printing. →Load the same ink ribbon and paper as ones used before replacing with new ones.

Indicators		Possible cause and remedies
Lighting	Blinking	
ALARM		<ul style="list-style-type: none"> The front panel is open. →Close the front door surely. Paper has jammed inside the printer. →Remove any jammed paper from the printer. (See page 18.) The maximum number of printouts has accumulated on the paper tray. →Remove the printouts. Printing starts again.

If the Paper Jams

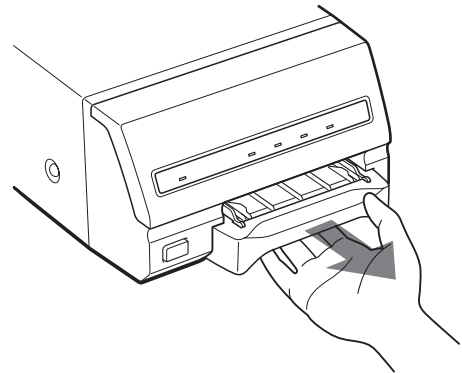
If the ALARM indicator lights on the front panel, or the message “Paper jam. Printing is aborted. Please remove the jammed paper and print again.” or “Motor or sensor trouble. Printing is aborted after you press the PRINT button and during printing. Please turn off the printer, then turn it back on and print again.” appears on a monitor of a computer during printing after you press the PRINT button, the paper may have jammed inside the printer.

Remove the jammed paper according to the process described below.

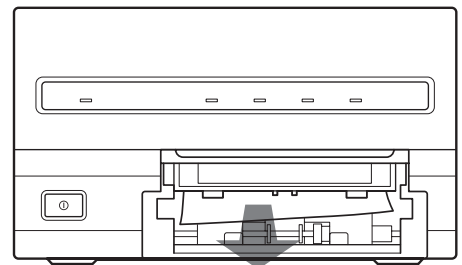
Note

If you turn off the power of the printer, any images stored in memory will be lost. After you finishing the following operations and turning on the printer on again, recapture the image into memory,

- 1 Remove the paper tray.
If any printouts have been ejected onto the paper tray and have accumulated on the paper tray, remove them before removing the paper tray.



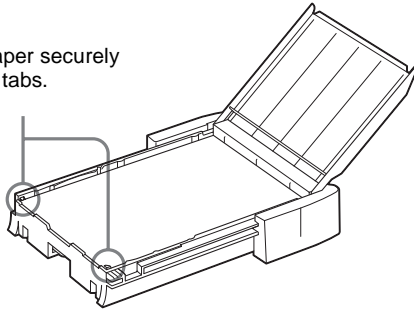
- 2 Check whether any paper is jammed inside the printer. If you find a jammed sheet, slowly pull it straight out.



If you cannot remove the jammed paper even if you perform the operation in step 2, remove the jammed paper according to instructions described in the following "If you can not remove the jammed paper yet".

- 3 Load the paper into the paper tray correctly.

Set the paper securely under the tabs.



Notes

- Do not reuse the jammed paper. Discard that paper.
- Use only paper recommended in this manual.

- 4 Re-insert the removed paper tray.

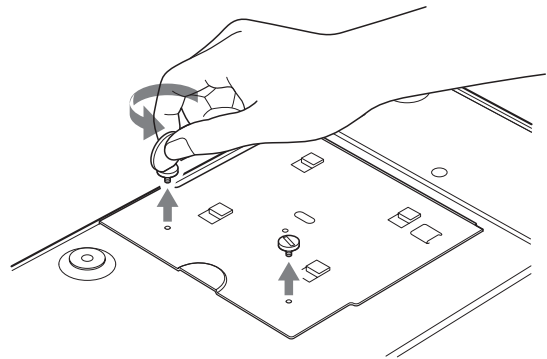
If you can not remove the jammed paper yet

Precautions

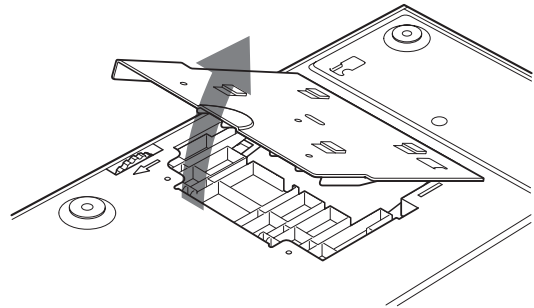
- Turn the printer power off and remove the power cable from the printer. However, any images stored in memory will be lost when you turn the printer off. After finishing the following operations and turning the printer on again, recapture the image into memory.
- When you turn the printer over, remove any connecting cables. If cables are broken or bent, this may cause fire or electrical shock.
- When you remove the jammed paper, be careful not to injure your fingers when touching the parts inside the printer.

- 1 Be sure to set the power switch of the printer to off and remove the power cable and other connecting cables.
- 2 Remove the paper tray from the printer.
- 3 Turn the printer over.

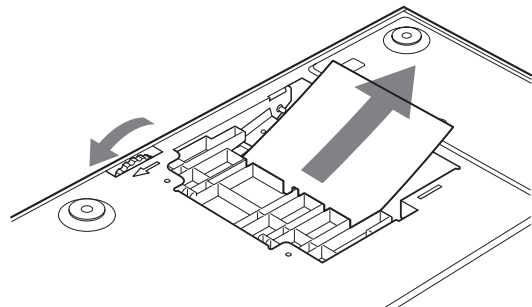
- 4 Remove the two screws with which the back cover plate is secured, using a coin.



- 5 Pull the back cover plate up and remove it from the printer.



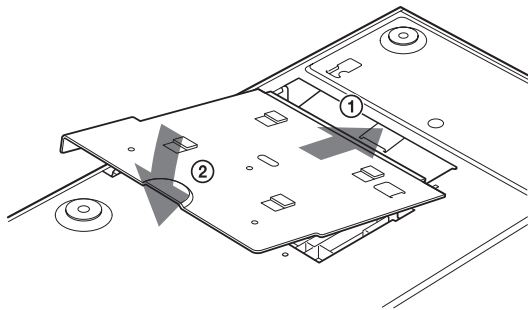
- 6 Remove the jammed paper slowly, turning the gear slowly in the direction of the arrow.



If you still cannot remove the paper

Do not try to remove it forcibly. Contact your nearest Sony dealer.

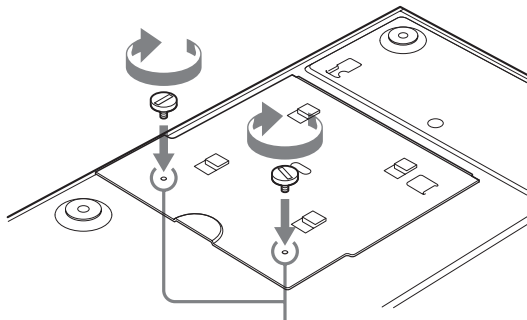
7 Replace the back cover plate.



Note

When you put it back, be careful not to catch your fingers or any other object in the back cover plate.

8 Secure the back cover plate using the screws removed in step 4.



Confirm that the screw holes of the back side of the printer and the back cover plate match before securing them.

When using the printer again

Confirm the following before using the printer again.

- Confirm that connecting cables and the power cable are securely connected.
- Reset the paper tray in the printer.
- When you are removing the jammed paper according to the instruction, the printer power is turned off. Thus, the image to be printed has been lost. Capture the image again.

Index

A

- Accessories
 - assembly 7
 - paper tray 6
 - thermal head cleaning cartridge 6
 - USB connecting cable 6
- Alarm
 - indicating the problem using the indicators 17

C

- Cleaning
 - cabinet 15
 - thermal head 15
- Connections 7

G

- Getting Started 5

I

- Ink ribbon
 - loading 9
 - notes on storing 10

L

- Location and function of parts and controls
 - front panel 5

O

- Operation 9

P

- Paper
 - loading 11
 - notes on storing 11
- Paper jams 18
- Precaution
 - before transporting the printer 14
 - condensation 14
 - installation 14
 - safety 14
- Printer driver
 - installing 8
- Printing 12
- Printing pack
 - available printing pack 15

S

- Specification 16
- Stopper 11
- System configuration 5
- System overview 5

T

- Thermal head
 - cleaning 15
 - releasing 14
 - securing 14
- Troubleshooting 17

U

- USB 2.0 8
- USB port connection 7



Free Manuals Download Website

<http://myh66.com>

<http://usermanuals.us>

<http://www.somanuals.com>

<http://www.4manuals.cc>

<http://www.manual-lib.com>

<http://www.404manual.com>

<http://www.luxmanual.com>

<http://aubethermostatmanual.com>

Golf course search by state

<http://golfingnear.com>

Email search by domain

<http://emailbydomain.com>

Auto manuals search

<http://auto.somanuals.com>

TV manuals search

<http://tv.somanuals.com>