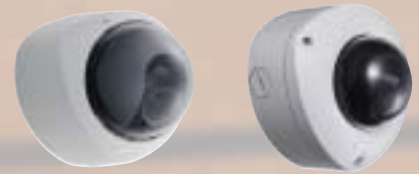


SONY

SNC-DF40P
SNC-DF70P

Network Mini Fixed Dome Cameras



High performance surveillance. 24/7.



You make it a Sony



- ▶ High performance surveillance, indoor or out. Day-time, night-time or round the clock.

Sony introduces two new additions to its line-up of mini fixed dome cameras – the SNC-DF40P and SNC-DF70P. These network cameras have a compact dome design, making them highly discreet - ideal for use in building entrances, schools, offices, retail stores and shopping malls. The SNC-DF Series incorporates a built-in web server and network interface, enabling users to control the cameras and monitor images over a network.

These cameras utilise both MPEG-4 and JPEG compression formats, allowing for smooth video/audio streaming and providing high-quality still images over a wide range of network bandwidths.

What's more, audio input and line output for active speakers permit audio monitoring and audible warnings at the monitoring site.

To meet an even wider range of monitoring needs, the SNC-DF70P also offers a Day/Night capability. Along with its IP-66 rated aluminium diecast construction, this makes it ideal for 24-hour outdoor surveillance applications.



All-in-one Network Mini Fixed Dome Camera

The SNC-DF Series incorporates a built-in web server and a 100Base-TX/10Base-T network interface in a compact dome design, allowing users to monitor live images and control cameras from a PC running a standard web browser; additional software or plug-ins are not needed. Its compact, discreet appearance is ideal where less noticeable video cameras are preferred.

► Features

Superior Picture Quality

The SNC-DF Series incorporates a 1/4-type Super HAD™ CCD that achieves high horizontal resolution of 480 TV lines and high sensitivity. The CCD imager provides a minimum illumination of 0.8 lx at F1.0 (SNC-DF40P)/0.9 lx at F1.0 (SNC-DF70P), enabling capture of clear images even under low light conditions.

MPEG-4 and JPEG Compression Formats

The SNC-DF Series supports both the MPEG-4 and JPEG compression formats. The high compression ratio of MPEG-4 provides smooth moving images over networks even when bandwidth is limited. If higher quality, still images are preferred, then the industry standard JPEG compression format is selectable from the setup menu. The SNC-DF Series also supports variable bit rates up to 2 Mb/s.

Image size can be selected from six modes: 640 x 480, 480 x 360, 384 x 288, 320 x 240, 256 x 192, and 160 x 120.

High Frame Rate

The SNC-DF Series produces images at a maximum frame rate of 25fps¹ when the image size is 320 x 240 in both MPEG-4 and JPEG modes, producing clear and smooth-moving images.

¹ In order to view images at the maximum frame rate, adequate PC processing power and network bandwidth are required.

Audio Monitoring

Incorporating an external microphone input, the SNC-DF Series is capable of picking up sound from the camera site clearly. The unit is also equipped with an audio line output for active speakers. This allows users to communicate with the remote site, expanding the capability of remote monitoring applications.

Day/Night Function (SNC-DF70P)

The SNC-DF70P features a 'Day/Night' capability, which provides optimised sensitivity in both day and night shooting applications.

As the scene darkens, an infrared filter is automatically replaced with a clear filter and the camera switches to B&W mode, allowing for operation at a minimum illumination of 0.2 lx at F1.0, or 0 lx² using an IR Illuminator from 3rd party vendors.

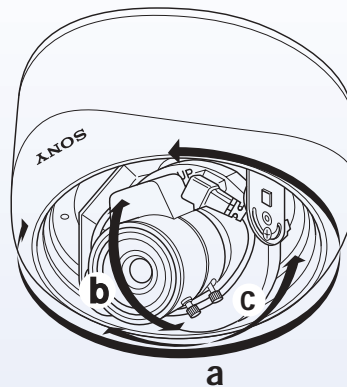
² 0 lux means absence of visible light to the naked eye.

Compatible with RealShot Manager

RealShot™ Manager is a powerful, easy-to-use management platform that provides total control over a complete network of cameras and video file servers. Recordings can be searched by time/date, alarm events or inserted comments. Camera settings can be adjusted according to user needs and Pan-Tilt-Zoom control of Sony cameras is afforded by the intuitive interface. On-screen layouts can be readily customized to give the user convenient access to multiple cameras.

Easy Mounting and Flexible Installation

The SNC-DF Series can be wall- or ceiling-mounted with the supplied ceiling mount bracket. An optional bracket is available for a flush in-ceiling mount. For even greater flexibility, the 2.7x varifocal lens incorporated into these cameras can be freely rotated, allowing for easy adjustment of the camera's viewing angle after installation.



Adjustment range of lens angle

- a (Panning): $\pm 150^\circ$
- b (Tilting): $\pm 75^\circ$
- c (Rotating): $\pm 150^\circ$



Ceiling Surface Mount (SNC-DF40P)



Ceiling Flush Mount (SNC-DF40P)

* Optional YT-ICB40 Ceiling-mount bracket is required.

► Features

Network Security Features

Adaptive Rate Control

To meet Quality of Service (QoS) requirements over a network, the SNC-DF Series provides an adaptive rate control function. This automatically varies the bit rate of audio and video data to meet changing network conditions and selects the most appropriate frame rates while also helping to prevent audio and video breakup.

Multicasting Capability

The SNC-DF Series has a built-in multicasting capability that enables efficient video and audio streaming to a large number of users.

Simultaneous Access

Up to 20 (JPEG mode)/10 (MPEG-4 mode) users can simultaneously access any of the SNC-DF Series cameras and monitor images separately.

Network Security Features

Access to the SNC-DF Series can be restricted to one or more groups of selected users. Up to ten different groups can be established by defining an IP address range for each group. In addition, user names and passwords can be assigned to allow three levels of access. The administrator has complete access/control of the cameras while the other two levels of access can be set to limit user privileges to functions such as viewing, trigger control, etc.

Alarm Functions

Motion Detection/Alarm Trigger

The SNC-DF Series is equipped with a built-in motion detection function that can generate an alarm through its alarm-output port or trigger another device to perform a variety of actions. The motion detection function uses vector information to detect motion so that unwanted noise components do not accidentally trigger the alarm. In addition, the SNC-DF Series is equipped with a sensor-input port that can receive a trigger from an external sensor.

Pre-/Post-Alarm Image Storage

With a built-in buffer memory, the SNC-DF Series can store several seconds of pre-alarm and post-alarm still images when an alarm is triggered by the motion detection function, the alarm input, or both.

Image storage capacity

MPEG-4 image: Approx. 15 s* (pre-/post- 7.5 s)

* when the image size is 320 x 240 at a frame rate of 30 fps and a bit rate of 512 kbps

JPEG image: Approx. 10 s* (pre-/post- 5 s)

* when the image size is 320 x 240 at a frame rate of 15 fps and the image quality is set to Level 3

Image Transfer Using FTP/SMTP

All of the pre-/post-alarm images stored at the time of an alarm event can be transferred to an FTP server for later viewing. In addition, the still image captured at the time of an alarm event can be sent to a designated e-mail address.

Analogue Composite Video Output

The SNC-DF Series is equipped with an analogue composite video output, allowing camera images to be directly recorded or monitored by connecting video equipment such as time-lapse recorders, hard disk recorders, and monitors.

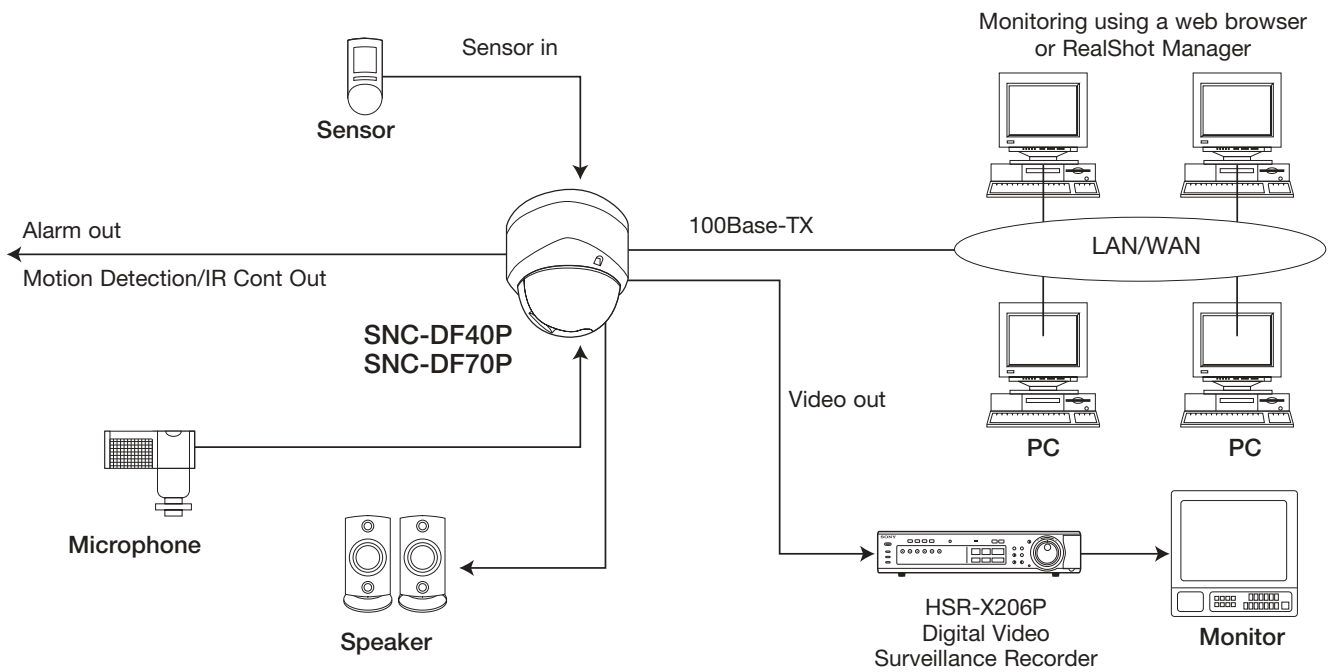
Rugged Design (SNC-DF70P)

The SNC-DF70P is specially designed to be used for outdoor surveillance or indoors for vandal resistant applications. The cameras are housed in a heavy-duty aluminium die-cast enclosure with a durable polycarbonate viewing window. These cameras comply with the IP66^{**4} standard for protection against water and dust.

^{**4} Ingress Protection (IP) standard is a system for numerically classifying the degree of protection provided by enclosures of electrical equipment against solid objects and liquids. IP66 means there is no ingress of dust and the equipment is protected against powerful water jets.



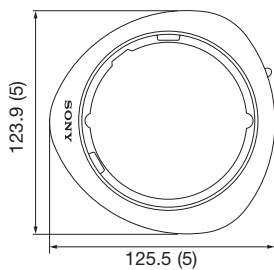
System Configuration



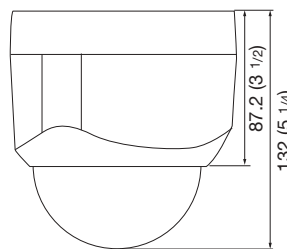
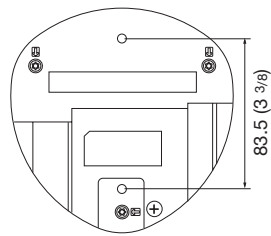
Dimensions

SNC-DF40P

Top view

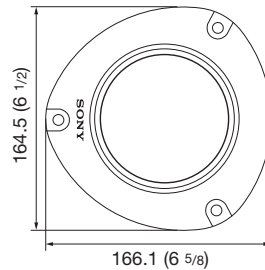


Rear view

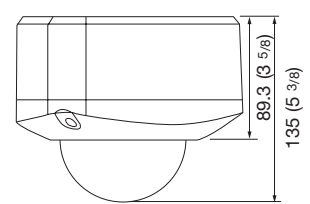
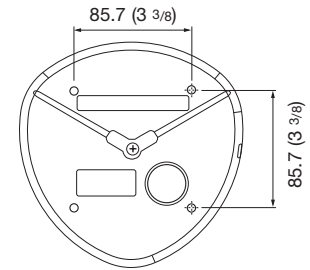


SNC-DF70P

Top view



Rear view



Unit: mm (inches)

Optional accessories



YT-ICB40
In-Ceiling bracket
for SNC-DF40P

YT-ICB70
In-Ceiling bracket
for SNC-DF70P

Rear panel layout



SNC-DF40P

Specifications

	SNC-DF40P	SNC-DF70P
Camera		
Image device	1/4-type Super HAD CCD	
Number of effective pixels (H x V)	752 x 582	
Electronic shutter	1/50 to 1/100,000 s	
Gain control	Auto:ON/OFF switchable (up to 18 dB)	
Exposure control	Auto, Back-Light-Compensation(BLC)	
White balance mode	ATW	
Lens mount	CS mount	
Lens type	x2.7 Vari-focal auto iris lens	
Horizontal viewing angle	66.6 to 26.9 degrees	
Focal length	f=3.0 to 8.0 mm	
F number	F=1.0	
Iris	CCD iris	
Minimum object distance	200 mm	
Motion Detection	Yes	
Day/Night function	No	Yes
Image		
Image size (H x V)	640 x 480, 480 x 360, 384 x 288, 320 x 240, 256 x 192, 160 x 120	
Compression format	MPEG-4/JPEG selectable	
Maximum frame rate (MPEG-4 mode)	Max. 25 fps (320 x 240)	
(JPEG mode)	Max. 25 fps (320 x 240)	
Audio		
Compression format	G.711 (64 Kbps) / G.726 (40, 32, 24, 16 Kbps)	
Network		
Protocols	TCP/IP, UDP, RTP, RTCP, ARP, ICMP, DHCP, DNS, HTTP, FTP, SMTP	
Number of clients	JPEG: 20 users, MPEG-4: 10 users	
Interface		
Ethernet	100Base-TX/10Base-T (RJ-45)	
Analogue video output	Composite video (1.0 Vp-p)	
Monitor output	2-Pin connector	
I/O port	Sensor in (1), Alarm out (2)	
External microphone input	Mini-jack, 2.4 V DC plug-in power, 4.7 kΩ	
Audio line output	Mini-jack (Monoaural), max output level: 1 Vrms	
Analogue video output		
Signal system	PAL (Composite)	
Horizontal resolution	480 TV lines	
S/N ratio	50 dB	
Minimum illumination (Colour)	0.8 lx (AGC On, F1.0, 50 IRE)	0.9 lx (AGC On, F1.0, 50 IRE)
(Black and White)	–	0.2 lx (AGC On, F1.0)
General		
Mass	Approx. 750 g (1 lb 10 oz)	Approx. 1,500 g (3 lb 5 oz)
Dimensions (W x H x D)	124 x 132 x 126 mm (5 x 5 1/4 x 5 inches) without projection ports	165 x 135 x 166 mm (6 1/2 x 5 3/8 x 6 5/8 inches) without projection ports
Power requirements	AC 24 V 50/60 Hz, DC 12 V, POE	
Power consumption	7.5 W	8.0 W
Operating temperature	-10 to +50 °C (14 to 122 °F)	
Storage temperature	-20 to +60 °C (-4 to +140 °F)	
Operating humidity	20 to 80%, non-condensing	
Storage humidity	20 to 95%, non-condensing	
Supplied accessories		
	CD-ROM (setup program, users guide), Monitor cables (2), AC power code, Wire rope, Screws (2), Installation manual	CD-ROM (setup program, users guide), Monitor cables (2), AC power code, Wire rope, Screws (2), Dome cover screw, Installation manual
System requirements		
Operating system	Microsoft® Windows® 2000/XP	
Processor	Intel® Pentium® III, 1 GHz or higher (Recommendation: Pentium IV, 2GHz or higher)	
Memory	256 MB RAM minimum	
Web browser	Microsoft Internet Explorer® version 5.5 or 6.0	

© 2004 Sony Corporation. All rights reserved. Reproduction in whole or in part without written permission is prohibited. Features and specifications are subject to change without notice. All non-metric weights and measurements are approximate. Sony is a registered trademark of Sony Corporation, Japan. Super HAD is a trademark of Sony Corporation. All other trademarks are the property of their respective owners.
CA SNC-DF40P/GB- / /2004

SONY

SONY EUROPE

www.sonybiz.net

Download from www.Somanuals.com. All Manuals Search And Download.

Free Manuals Download Website

<http://myh66.com>

<http://usermanuals.us>

<http://www.somanuals.com>

<http://www.4manuals.cc>

<http://www.manual-lib.com>

<http://www.404manual.com>

<http://www.luxmanual.com>

<http://aubethermostatmanual.com>

Golf course search by state

<http://golfingnear.com>

Email search by domain

<http://emailbydomain.com>

Auto manuals search

<http://auto.somanuals.com>

TV manuals search

<http://tv.somanuals.com>