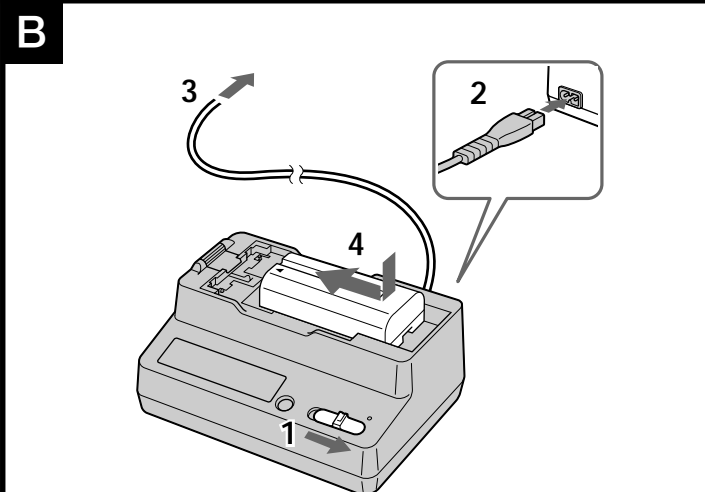
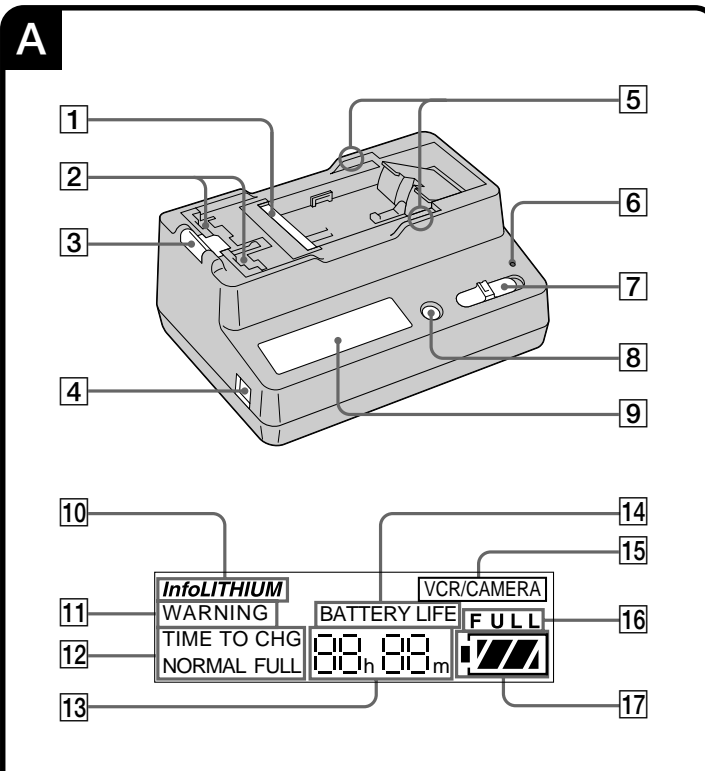


AC Adaptor/Charger

Operating Instructions
Manual de instrucciones
Mode d'emploi
CS



AC-V700

Sony Corporation © 1998 Printed in Japan

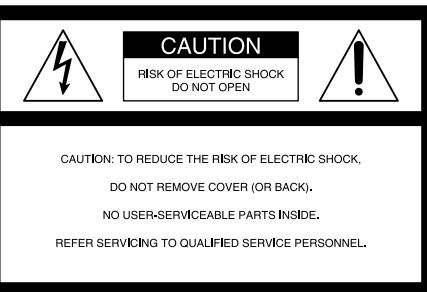
Owner's Record

The model and serial numbers are located on the bottom of the unit. Record the serial number in the space provided below. Refer to these numbers whenever you call upon your Sony dealer regarding this product.

Model No. AC-V700 Serial No.

WARNING

To prevent fire or shock hazard, do not expose the unit to rain or moisture.



This symbol is intended to alert the user to the presence of uninsulated "Dangerous voltage" within the product's enclosure that may be of sufficient magnitude to constitute a risk of electric shock to persons.

This symbol is intended to alert the user to the presence of important operating and maintenance (servicing) instructions in the literature accompanying the appliance.

CAUTION

You are cautioned that any changes or modifications not expressly approved in this manual could void your authority to operate this equipment.

The Graphical Symbols with Supplemental Marking is located on the bottom of the unit.

Note:

This equipment has been tested and found to comply with the limits for a Class B digital device, pursuant to Part 15 of the FCC Rules. These limits are designed to provide reasonable protection against harmful interference in a residential installation. This equipment generates, uses, and can radiate radio frequency energy and, if not installed and used in accordance with the instructions, may cause harmful interference to radio communications.

However, there is no guarantee that interference will not occur in a particular installation. If this equipment does cause harmful interference to radio or television reception, which can be determined by turning the equipment off and on, the user is encouraged to try to correct the interference by one or more of the following measures:

- Reorient or relocate the receiving antenna.
- Increase the separation between the equipment and receiver.
- Connect the equipment into an outlet on a circuit different from that to which the receiver is connected.
- Consult the dealer or an experienced radio/TV technician for help.

NOTICE FOR THE CUSTOMERS IN THE UNITED KINGDOM

A moulded plug complying with BS 1363 is fitted to this equipment for your safety and convenience.

Should the fuse in the plug supplied need to be replaced, a 5 AMP fuse approved by ASTA or BSI to BS 1362, (i.e., marked with or) mark) must be used.

If the plug supplied with this equipment has a detachable fuse cover, be sure to attach the fuse cover after you change the fuse. Never use the plug without the fuse cover. If you should lose the fuse cover, please contact your nearest Sony service station.

Sony line <http://www.world.sony.com/>

Printed on recycled paper

Before operating the unit, please read this manual thoroughly and retain it for future reference.

The AC-V700 AC adaptor/charger can be used as follows:

- To charge a lithium ion type battery pack. Ni-Cd/Nickel hydrogen type batteries are not rechargeable.
- The following functions are available with the "InfoLITHIUM" battery pack:
 - Quickly charging
 - Remaining charge time display
- To enable the power supply to the video equipment with the house current, connection cords are included with this unit. However, these cords may not be used depending on the video equipment. Before using, check your video equipment.

What is the "InfoLITHIUM"

The "InfoLITHIUM" is a lithium ion battery pack which can exchange data with compatible video equipment about its battery consumption. Sony recommends that you use the "InfoLITHIUM" battery pack with video equipment having the mark.

WARNING

To prevent fire or shock hazard, do not expose the unit to rain or moisture. To avoid electrical shock, do not open the cabinet. Refer servicing to qualified personnel only.

AC power cord must be changed only at the qualified service shop.

For the customers in Canada

CAUTION

TO PREVENT ELECTRIC SHOCK, MATCH WIDE BLADE OF PLUG TO WIDE SLOT, FULLY INSERT.

Notes on Use

About the AC power cord plug

The AC-V700 comes in two models, differentiated by the shape of the AC power cord plug.

Model	Shape of the plug
Model for USA/Canada	Polarized
Model for other countries	Non polarized

- The model for USA and Canada: One blade of the plug is wider than the other for the purpose of safety and will fit into the power outlet only one way. If you are unable to insert the plug fully into the outlet, contact your dealer.

About the remaining battery time

While charging the battery pack, this unit will show the remaining battery time with your video equipment, etc. on the following conditions.

- Using the "InfoLITHIUM" battery pack
- Using the video equipment having the mark

Make sure that you use the battery pack having the mark. Consult the operating instructions supplied with your video equipment if it is applied to "InfoLITHIUM".

Though the following models are applied to "InfoLITHIUM", the remaining battery time is not displayed on this unit.

DCR-PC7/PCTE/PC10/PC10E/SC100/SC100E/TRV7/TRV7E
CCD-TR555/TR555E/TR610E/TR710/TR710E/TR760E/TR790E/TR810E/TR820E/TR825E/TR910/TR910E/TR920E/TR930/TR100E/TR2200E/TR2300/TR2300E/TR3100E/TR3300E/TR3300E/TR3400/TRV31/TRV31E/TR41E/TR41E/TRV41E/TRV41E/TRV51E/TRV54E/TRV56E/TRV61E/TRV62E/TRV64E/TRV72/TRV81/TRV81E/TRV82/TRV91E/TRV94/TRV94E/TRV101/TRV101E/SC55/SC55E/SC65/SC65E

GV-A500/A500E

If you use the video equipment having the mark, the remaining battery time display of the battery pack being charged corresponds to the video equipment having the mark which is last attached to the battery pack.

Charging

- Use only a lithium ion type battery pack. This unit cannot be used to charge a Ni-Cd/Nickel hydrogen type battery pack.
- Attach the battery pack firmly.
- Charge the battery pack on a flat surface without vibration.

Charging temperature

The temperature range for charging is 0°C to 40°C (32°F to 104°F). However, to provide maximum battery efficiency, the recommended temperature range when charging is 10°C to 30°C (50°F to 86°F).

Others

- The nameplate indicating operating voltage, power consumption, etc. is located on the bottom.
- The negligible amount of electric current will flow into the AC adaptor/charger as long as the AC adaptor/charger is plugged into the wall outlet.
- Unplug the unit from the wall outlet if it will not be used for extended period of time. To disconnect the cord, pull it out by the plug. Never pull the cord itself.
- Do not operate the unit with a damaged cord or if it has been dropped or damaged.
- Be sure that nothing metallic comes into contact with the metal parts of the unit or connecting plate. If it does, a short may occur and the unit may be damaged.
- Always keep the metal contacts clean.
- Do not disassemble or convert the unit.
- Do not apply mechanical shock or drop the unit.
- While the unit is in use, it gets warm. But this is normal.
- Keep the unit away from AM receivers, because it will disturb AM reception.
- Do not place the unit in a location where it is:
 - Extremely hot or cold
 - Dusty or dirty
 - Very humid
 - Vibrating

If any difficulty should arise, unplug the unit and contact your nearest Sony dealer.

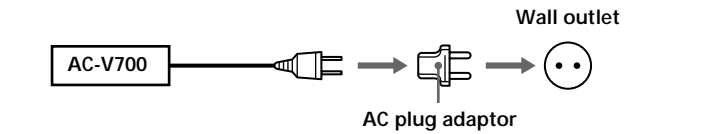
Specifications

Power requirements	100 - 240 V AC, 50/60 Hz
Power consumption	25 W
Charge mode:	35 VA (100 V AC), 46 VA (240 V AC)
Operating mode:	39 VA (100 V AC), 50 VA (240 V AC)

Output voltage	DC OUT: 8.4 V, 2.0 A in operating mode Battery charge terminal: 8.4 V, 1.4 A in charge mode
Application	Sony battery pack NP-F100/F200/F300/F330/F350/CF540/F550/F730/F750/F930/F950
Operating temperature	0°C to 40°C (32°F to 104°F)
Storage temperature	-20°C to 60°C (-4°F to 140°F)
Dimensions	Approx. 127 x 55 x 95 mm (w/h/d) (5 x 2 1/4 x 3 7/8 inches)
Mass	Approx. 255 g (9 oz)
Supplied accessory	Connecting cord DK-415 (1), AC power cord (1)

Design and specifications are subject to change without notice.

Use a commercially available AC plug adaptor, if necessary, depending on the design of the wall outlet.



This mark indicates that this product is a genuine accessory for Sony video products. When purchasing Sony video products, Sony recommends that you purchase accessories with this "GENUINE VIDEO ACCESSORIES" mark.

Identifying the parts

- Terminal shutter
- Charging polarity
- Battery release lever
- DC OUT connector
- Guide
- CHARGE lamp
- Mode change switch
- DISPLAY CHANGE button
- Display window
- Display window
- "InfoLITHIUM" indicator
- Lights up when the "InfoLITHIUM" battery pack is attached.
- WARNING indicator
- TIME TO CHG (charge) indicator
- Time indicator
- BATTERY LIFE (battery remaining time) indicator
- VCR/CAMERA indicator
- Full charge indicator
- Remaining battery indicator

To Charge the Battery Pack

- Set the mode change switch to CHARGE.
- Connect the power cord to this unit.
- Connect the power cord to a wall outlet. The beep sounds and the display window lights up.

4. Install the battery pack.

Charging begins. When the remaining battery indicator becomes and the CHARGE lamp lights up, normal charge is completed. For full charge, which allows you to use the battery slightly longer than "normal charge", leave the battery pack attached until the CHARGE lamp goes out.

Remove the battery pack when required. It can be used even if the charging is not completed.

Remaining battery indicator

Normal charge	Full charge

To Install the battery pack

- NP-F550, etc. (III. 1) Place the battery pack on . Align the end of the battery pack having the mark with the edge of the terminal shutter of this unit.
- Slide the battery pack in the direction of the arrow.
- Press the battery pack until the terminal shutter is completely covered.

NP-F100, etc. (III. 2)

- Slide the battery pack along the guide to .
- Press the battery pack down until it clicks.

Note

Do not apply shock to the charging polarity. When you install the battery pack, be sure to not strike it.

Charging time

The following table shows the charging time for the battery pack which is discharged completely.

Battery pack	Charging time	Battery pack	Charging time
NP-CF540	110 (50)	NP-F100	100 (40)
NP-F550	115 (55)	NP-F200	115 (55)
NP-F750	170 (110)	NP-F300	160 (100)
NP-F950	225 (165)		

- Approximate minutes to charge an empty battery pack fully (Full charge).
- Approximate minutes in parentheses indicate the time when you charge normally (Normal charge).
- To ascertain the battery life, refer to the instruction manual of the video equipment which you use.
- The charging time may differ depending on the condition of the battery pack or the temperature of the environment.

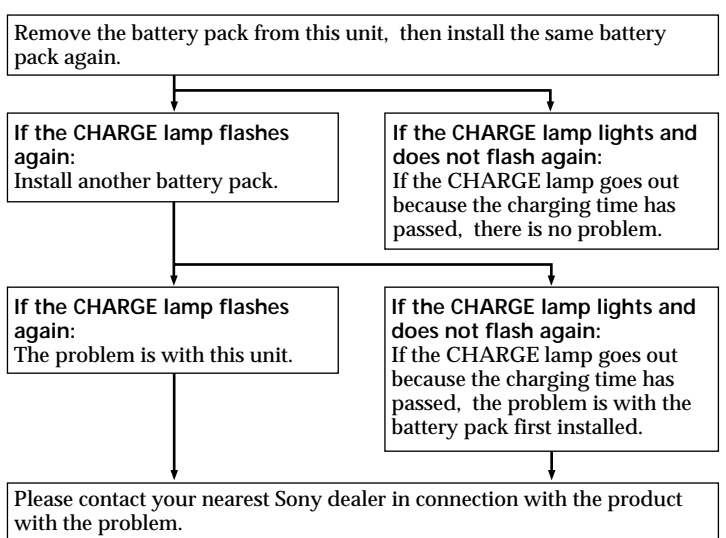
Notes

- When the mode change switch is set to VCR/CAMERA during charging, charging stops.
- When a fully charged battery pack is installed, the CHARGE lamp will once light, then go out.

If the CHARGE lamp does not light or flash, check that the battery pack is correctly attached to the AC adaptor/charger. If it is not attached it will not be charged.

When the CHARGE lamp flashes

If a problem occurs during charging, the CHARGE lamp flashes and WARNING appears on the display. Check through the following chart.



To remove the battery pack

NP-F550, etc. (III. 1)

Slide the battery pack in the direction of the arrow, then lift it straight out.

NP-F100, etc. (III. 2)

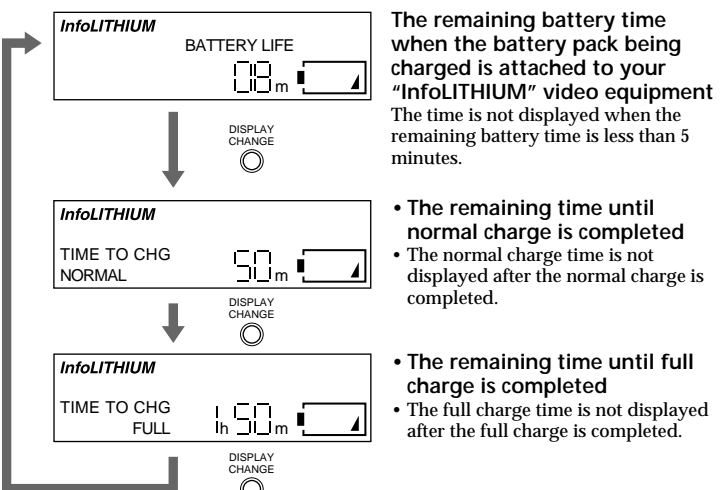
Remove the battery pack while sliding the battery release lever.

To Check Charging

While charging, you can check the charging time on the display. After starting charging in a minute, BATTERY LIFE lights up on the display.

Press DISPLAY CHANGE while charging.

Each time you press DISPLAY CHANGE, the display changes as follows.



Notes

- The time display shows the approximate time when charging at 10°C - 30°C. The time display may differ from the actual charging time depending on using conditions and circumstances.
- The time display may show "-----" in the following cases. However, the unit is not malfunctioning.
 - The remaining battery time is less than 5 minutes.
 - There is a difference between the displayed time and actual charging time. Even if this happens, continue charging.
- Full charge requires about 1 hour after normal charge is completed. If you remove the battery pack between normal charge and full charge, the charging time may not be displayed properly in the next charging.
- If the charging time is not displayed properly, fully charge the battery pack. The charging time will be displayed properly.
- When you attach a fully charged battery pack to this unit, "TIME TO CHG FULL th" may appear on the display. However, the unit is not malfunctioning.
- BATTERY LIFE may not be displayed depending on using conditions and circumstances.
- If the charging time is not displayed properly, fully charge the battery pack. The charging time will be displayed properly.
- When you attach a fully charged battery pack to this unit, "TIME TO CHG FULL th" may appear on the display. However, the unit is not malfunctioning.
- BATTERY LIFE may not be displayed depending on using conditions and circumstances.
- If the charging time is not displayed properly, fully charge the battery pack. The charging time will be displayed properly.
- When you attach a fully charged battery pack to this unit, "TIME TO CHG FULL th" may appear on the display. However, the unit is not malfunctioning.

To Operate Video Equipment

For the DCR-TRV9 video camera, etc. use the supplied DK-415 connecting cord. For the DCR-PC10 video camera, etc. use the DK-626 connecting cord (not supplied).

For details of the connection, refer to the instruction manual of the video equipment.

- Set the mode change switch to VCR/CAMERA.
- Connect the power cord to a wall outlet.
- Connect the connecting cord to the DC OUT connector of this unit.
- Connect the connecting cord to the video equipment.

DCR-TRV9, etc. (III. 1)

While pressing the connecting plate , slide it down. To remove the connecting plate, slide it up while pressing the battery release lever .

DCR-PC10, etc. (III. 2)

Open the cover, and insert the connecting plug . To remove the connecting plug, pull it while pressing the button .

Notes

- If you set the mode change switch to CHARGE while operating the video equipment, the power supply to the video equipment stops.
- You cannot charge the battery pack attached to this unit while supplying the power to the video equipment.
- Keep this unit away from the video equipment if the picture is disturbed.

Antes de utilizar la unidad, lea detenidamente este manual, y consérvelo para futuras referencias.

El adaptador de CA/cargador AC-V700 podrá utilizarse de la forma siguiente:

- Para cargar una batería de tipo iones de litio. Las pilas de tipo níquel-cadmio/níquel-hidrógeno no podrán recargarse.
- Cuando utilice una batería "InfoLITHIUM", estarán disponibles las siguientes funciones:
 - Carga rápida
 - Visualización del tiempo de carga restante
- Con esta unidad se incluyen cables conectores para poder alimentar equipos de video con la corriente de la red. Sin embargo, quizás no pueda utilizar estos cables dependiendo del equipo de video. Antes de utilizarlos, compruebe su equipo de video.

Qué es "InfoLITHIUM"

La batería "InfoLITHIUM" es una batería que puede intercambiar datos con un equipo de video compatible en cuanto a su consumo de batería. Sony recomienda que utilice la batería "InfoLITHIUM" con equipos de video que posean la marca .

ADVERTENCIA

Para evitar incendios o el riesgo de electrocución, no exponga la unidad a la lluvia ni a la humedad.

Para evitar descargas eléctricas, no abra la unidad. En caso de avería, solicite los servicios de personal cualificado solamente. El cable de alimentación de CA solamente deberá ser cambiado en un taller de reparaciones cualificado.

Notas sobre la utilización

Sobre el enchufe del cable de alimentación de CA

Existen dos modelos de AC-V700, que se diferencian por la forma del enchufe del cable de alimentación de CA.

Modelo	Forma del enchufe
Modelo para EE.UU./Canadá	Polarizado
Modelo para otros países	No polarizado

- Modelo para EE.UU. y Canadá: Por motivos de seguridad, una cuchilla del enchufe es más ancha que la otra, y solamente encajará en el tomacorriente de una sola forma. Si no puede insertar firmemente el enchufe en el tomacorriente, póngase en contacto con su proveedor.

Sobre el tiempo restante de la batería

Durante la carga de la batería, esta unidad mostrará el tiempo restante de la batería con su equipo de video, etc. en las condiciones siguientes.

- Utilización de una batería "InfoLITHIUM"
 - Utilización de un equipo de video que posea la marca mark
- Córrase de utilizar una batería que posea la marca mark. Si su equipo de video puede utilizar baterías "InfoLITHIUM", consulte el manual de instrucciones del mismo.

Aunque los modelos siguientes son compatibles con "InfoLITHIUM", en esta unidad no se visualizará el tiempo restante de la batería.

DCR-PC7/PCTE/PC10/PC10E/SC100/SC100E/TRV7/TRV7E
CCD-TR555/TR555E/TR610E/TR710/TR710E/TR760E/TR790E/TR810E/TR820E/TR825E/TR910/TR910E/TR920E/TR930/TR100E/TR2200E/TR2300E/TR2300E/TR3100E/TR3300E/TR3300E/TR3400/TRV31/TRV31E/TR41E/TR41E/TRV41E/TRV41E/TRV51E/TRV54E/TRV56E/TRV61E/TRV62E/TRV64E/TRV72/TRV81/TRV81E/TRV82/TRV91E/TRV94/TRV94E/TRV101/TRV101E/SC55/SC55E/SC65/SC65E

GV-A500/A500E

Si utiliza un equipo de video que posea la marca mark, la visualización del tiempo restante de la batería que esté cargando a corresponderá a un equipo de video que posea la marca mark a la que haya fijado por última vez la batería.

Carga

- Utilice solamente una batería de tipo de iones de litio. Esta unidad no podrá utilizarse para cargar una batería de tipo níquel-cadmio/níquel-hidrógeno.
- Fije firmemente la batería.
- Cargue la batería sobre una superficie plana exenta de vibraciones.

Temperatura de carga

La gama de temperaturas para carga es de 0 a 40°C. Sin embargo, para obtener la máxima eficacia de la batería, la gama de temperaturas recomendada para la carga es de 10 a 30°C (de temperatura range when charging is 10°C to 30°C (50°F to 86°F)).

Otros

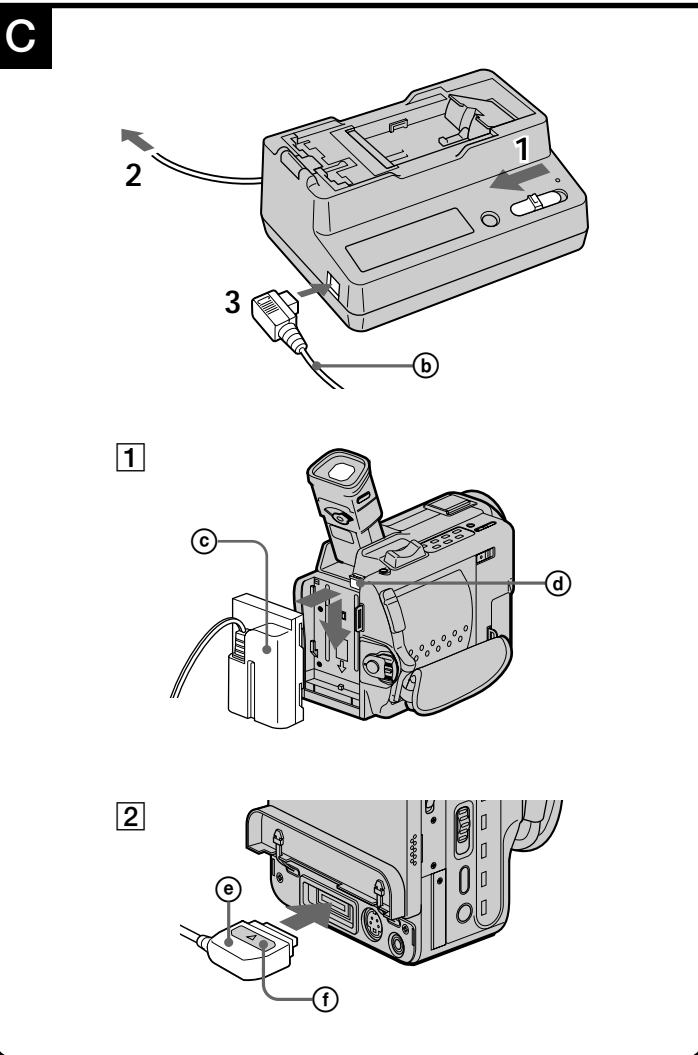
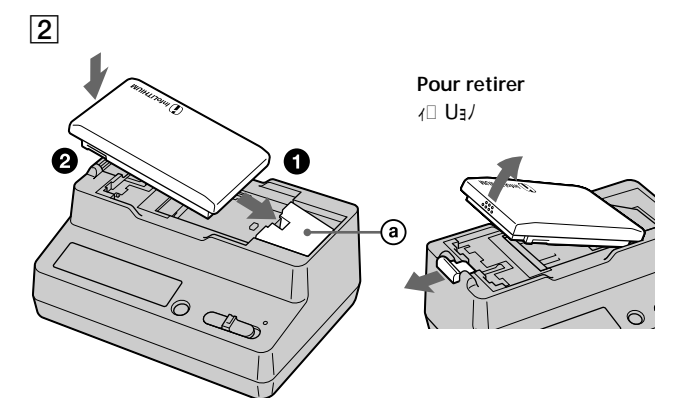
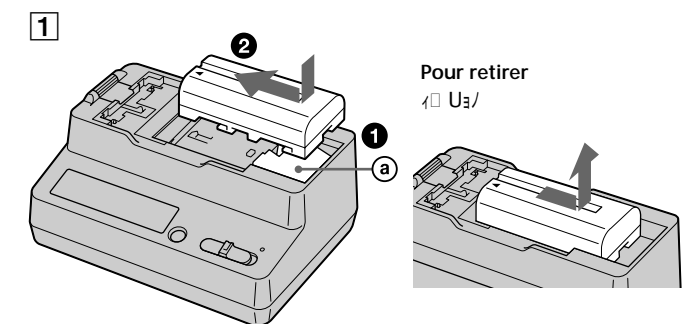
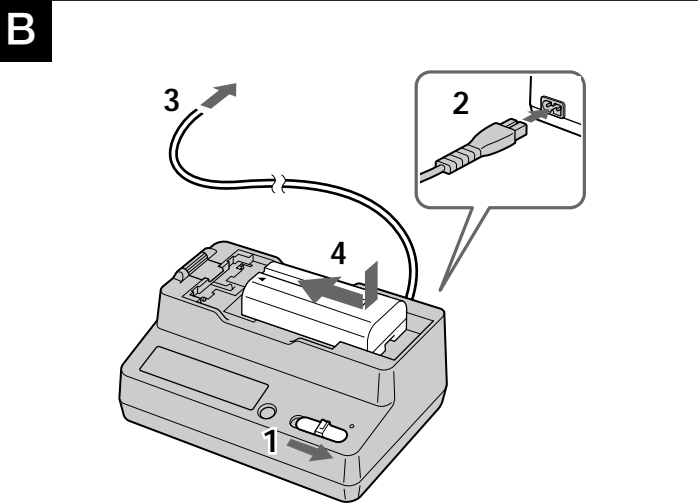
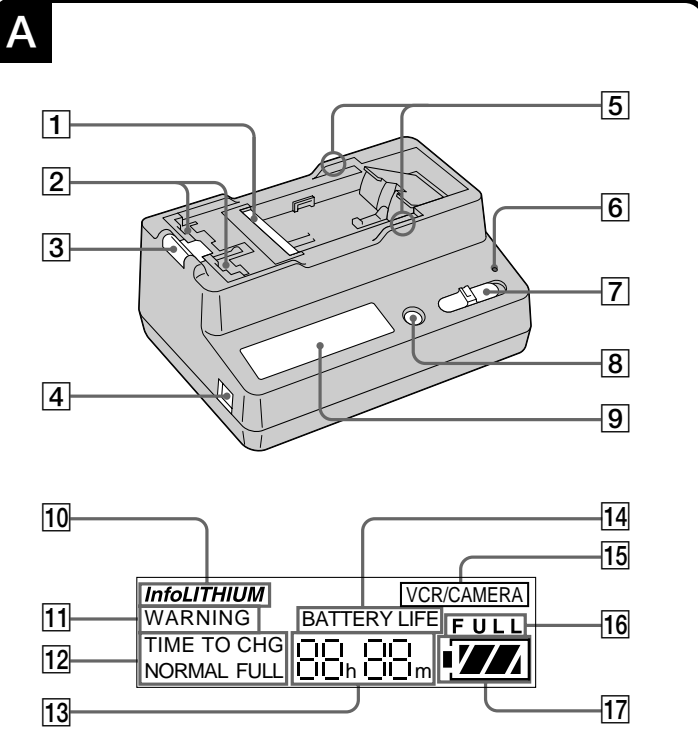
- La placa de características en la que se indica la tensión de alimentación, el consumo, etc., se encuentra en la parte inferior.
- Mientras el adaptador de CA/cargador esté enchufado en un tomacorriente, a través del mismo circulará cierta cantidad de corriente.
- Cuando no vaya a utilizar la unidad durante mucho tiempo, desenchufe del tomacorriente. Para desconectar el cable de alimentación, tire del enchufe. No tire nunca del propio cable.
- No utilice la unidad con un cable dañado, cuando se haya caído, ni cuando esté dañado.
- Cerciórese de que ningún objeto metálico entre en contacto con las partes metálicas de la unidad ni de la placa conectora. En caso contrario podría producirse un cortocircuito y la unidad se dañaría.
- Mantenga siempre limpios los contactos metálicos.
- No desarme ni modifique la unidad.
- No golpee ni deje caer la unidad.
- Cuando utilice la unidad, se calentará. Sin embargo, esto es normal.
- Mantenga la unidad alejada de receptores de AM, porque podría perturbarse la recepción de AM.
- No coloque la unidad en un lugar:
 - Extremadamente cálido o frío
 - Polvoriento o sucio
 - Muy húmedo
 - Sometido a vibraciones
- Si tiene alguna dificultad, desenchufe la unidad y póngase en contacto con su proveedor Sony.

Especificaciones

Alimentación	100 - 240 V CA, 50/60 Hz
Consumo	25 W
Modo de carga:	35 VA (100 V CA), 46 VA (240 V CA)
Modo de operación:	39 VA (100 V CA), 50 VA (240 V CA)

Tensión de salida	DC OUT: 8.4 V, 2.0 A en el modo de operación Terminales de carga de la batería: 8.4 V, 1.4 A en el modo de carga
Aplicación	Batería NP-F100/F200/F300/F330/F350/CF540/F550/F730/F750/F930/F950
Temperatura de funcionamiento	0 a 40°C
Temperatura de almacenamiento	-20 a 60°C
Dimensiones	Aprox. 127 x 55 x 95 mm (an/al/pr)
Masa	Aprox. 225 g
Accesorios suministrados	Cable conector DK-415 (1), Cable de alimentación de CA (1)

El diseño y las especificaciones están sujetos a cambio sin previo aviso. Dependiendo del diseño del tomacorriente



Avant d'utiliser l'appareil, veuillez lire attentivement ce manuel et le conserver pour toute référence future.

L'adaptateur-chargeur AC-V700 peut être utilisé pour:

- Pour charger une batterie rechargeable au lithium-ion. Les piles de type Ni-Cd/Nickel-hydrogène ne sont pas rechargeables. Les batteries rechargeables "InfoLITHIUM" offrent les fonctions suivantes:
 - Recharge rapide
 - Indication du temps de charge restant
- Pour alimenter un appareil vidéo sur le courant secteur, des cordons de liaison sont fournis avec cet appareil. Cependant, ils ne pourront peut-être pas être utilisés avec certains appareils vidéo. Avant de les utiliser, vérifiez votre appareil vidéo.

Signification de "InfoLITHIUM"

La batterie "InfoLITHIUM" est une batterie rechargeable au lithium-ion qui peut échanger des informations sur la consommation d'énergie avec les appareils vidéo compatibles. Sony conseille d'utiliser une batterie rechargeable "InfoLITHIUM" avec les appareils vidéo portant le logo .

AVERTISSEMENT

Afin d'éviter tout risque d'incendie ou d'électrocution, ne pas exposer cet appareil à la pluie ou à l'humidité.

Afin d'écarter tout risque d'électrocution, garder le coffret fermé. Ne confier l'entretien de l'appareil qu'à un technicien qualifié.

Le cordon d'alimentation secteur de l'appareil doit être changé par un professionnel uniquement.

Pour les utilisateurs au Canada

ATTENTION

POUR ÉVITER LES CHOCs ÉLECTRIQUES, INTRODUIRE LA LAME LA PLUS LARGE DE LA FICHE DANS LA BORNE CORRESPONDANTE DE LA PRISE ET POUSSER JUSQU' AU FOND.

Remarques sur l'utilisation

A propos de la fiche du cordon d'alimentation secteur

Le modèle AC-V700 existe en deux versions, dont la différence est la fiche du cordon d'alimentation secteur.

Modèle	Configuration de la fiche
Modèle pour les Etats-unis et le Canada	Polarisée
Modèle pour les autres pays	Non polarisée

Modèle pour les Etats-Unis ou le Canada: Une des lames de la fiche est plus large que l'autre pour des raisons de sécurité et ne peut s'insérer que dans un sens. Si vous ne parvenez pas à insérer complètement la fiche dans la prise, contactez votre revendeur.

A propos de l'indication du temps restant

Pendant la recharge de la batterie rechargeable, cet appareil indiquera le temps restant pour un appareil vidéo, par exemple, dans les cas suivants:

- Vous utilisez une batterie rechargeable "InfoLITHIUM"
- Vous utilisez un appareil vidéo portant la marque . Assurez-vous que la batterie rechargeable que vous utilisez porte la marque . Consultez le mode d'emploi fourni avec votre appareil vidéo s'il s'agit d'un appareil "InfoLITHIUM".

Bien que les modèles suivants soient de type "InfoLITHIUM", le temps restant ne peut pas être affiché sur cet appareil.

DCR-PC7/PC7E/PC10/PC10E/SC100/SC100E/TRV7/TRV7E
CCD-TR55/TR55E/TR810E/TR710/TR710E/TR802E/TR802E/TR810E/TR810E/TR820E/TR820E/TR830E/TR830E/TR840E/TR840E/TR850E/TR850E/TR860E/TR860E/TR870E/TR870E/TR880E/TR880E/TR890E/TR890E/TR900E/TR900E/TR910E/TR910E/TR920E/TR920E/TR930E/TR930E/TR940E/TR940E/TR950E/TR950E/TR960E/TR960E/TR970E/TR970E/TR980E/TR980E/TR990E/TR990E/TR100E/TR100E/TR101E/TR101E/TR102E/TR102E/TR103E/TR103E/TR104E/TR104E/TR105E/TR105E/TR106E/TR106E/TR107E/TR107E/TR108E/TR108E/TR109E/TR109E/TR110E/TR110E/TR111E/TR111E/TR112E/TR112E/TR113E/TR113E/TR114E/TR114E/TR115E/TR115E/TR116E/TR116E/TR117E/TR117E/TR118E/TR118E/TR119E/TR119E/TR120E/TR120E/TR121E/TR121E/TR122E/TR122E/TR123E/TR123E/TR124E/TR124E/TR125E/TR125E/TR126E/TR126E/TR127E/TR127E/TR128E/TR128E/TR129E/TR129E/TR130E/TR130E/TR131E/TR131E/TR132E/TR132E/TR133E/TR133E/TR134E/TR134E/TR135E/TR135E/TR136E/TR136E/TR137E/TR137E/TR138E/TR138E/TR139E/TR139E/TR140E/TR140E/TR141E/TR141E/TR142E/TR142E/TR143E/TR143E/TR144E/TR144E/TR145E/TR145E/TR146E/TR146E/TR147E/TR147E/TR148E/TR148E/TR149E/TR149E/TR150E/TR150E/TR151E/TR151E/TR152E/TR152E/TR153E/TR153E/TR154E/TR154E/TR155E/TR155E/TR156E/TR156E/TR157E/TR157E/TR158E/TR158E/TR159E/TR159E/TR160E/TR160E/TR161E/TR161E/TR162E/TR162E/TR163E/TR163E/TR164E/TR164E/TR165E/TR165E/TR166E/TR166E/TR167E/TR167E/TR168E/TR168E/TR169E/TR169E/TR170E/TR170E/TR171E/TR171E/TR172E/TR172E/TR173E/TR173E/TR174E/TR174E/TR175E/TR175E/TR176E/TR176E/TR177E/TR177E/TR178E/TR178E/TR179E/TR179E/TR180E/TR180E/TR181E/TR181E/TR182E/TR182E/TR183E/TR183E/TR184E/TR184E/TR185E/TR185E/TR186E/TR186E/TR187E/TR187E/TR188E/TR188E/TR189E/TR189E/TR190E/TR190E/TR191E/TR191E/TR192E/TR192E/TR193E/TR193E/TR194E/TR194E/TR195E/TR195E/TR196E/TR196E/TR197E/TR197E/TR198E/TR198E/TR199E/TR199E/TR200E/TR200E/TR201E/TR201E/TR202E/TR202E/TR203E/TR203E/TR204E/TR204E/TR205E/TR205E/TR206E/TR206E/TR207E/TR207E/TR208E/TR208E/TR209E/TR209E/TR210E/TR210E/TR211E/TR211E/TR212E/TR212E/TR213E/TR213E/TR214E/TR214E/TR215E/TR215E/TR216E/TR216E/TR217E/TR217E/TR218E/TR218E/TR219E/TR219E/TR220E/TR220E/TR221E/TR221E/TR222E/TR222E/TR223E/TR223E/TR224E/TR224E/TR225E/TR225E/TR226E/TR226E/TR227E/TR227E/TR228E/TR228E/TR229E/TR229E/TR230E/TR230E/TR231E/TR231E/TR232E/TR232E/TR233E/TR233E/TR234E/TR234E/TR235E/TR235E/TR236E/TR236E/TR237E/TR237E/TR238E/TR238E/TR239E/TR239E/TR240E/TR240E/TR241E/TR241E/TR242E/TR242E/TR243E/TR243E/TR244E/TR244E/TR245E/TR245E/TR246E/TR246E/TR247E/TR247E/TR248E/TR248E/TR249E/TR249E/TR250E/TR250E/TR251E/TR251E/TR252E/TR252E/TR253E/TR253E/TR254E/TR254E/TR255E/TR255E/TR256E/TR256E/TR257E/TR257E/TR258E/TR258E/TR259E/TR259E/TR260E/TR260E/TR261E/TR261E/TR262E/TR262E/TR263E/TR263E/TR264E/TR264E/TR265E/TR265E/TR266E/TR266E/TR267E/TR267E/TR268E/TR268E/TR269E/TR269E/TR270E/TR270E/TR271E/TR271E/TR272E/TR272E/TR273E/TR273E/TR274E/TR274E/TR275E/TR275E/TR276E/TR276E/TR277E/TR277E/TR278E/TR278E/TR279E/TR279E/TR280E/TR280E/TR281E/TR281E/TR282E/TR282E/TR283E/TR283E/TR284E/TR284E/TR285E/TR285E/TR286E/TR286E/TR287E/TR287E/TR288E/TR288E/TR289E/TR289E/TR290E/TR290E/TR291E/TR291E/TR292E/TR292E/TR293E/TR293E/TR294E/TR294E/TR295E/TR295E/TR296E/TR296E/TR297E/TR297E/TR298E/TR298E/TR299E/TR299E/TR300E/TR300E/TR301E/TR301E/TR302E/TR302E/TR303E/TR303E/TR304E/TR304E/TR305E/TR305E/TR306E/TR306E/TR307E/TR307E/TR308E/TR308E/TR309E/TR309E/TR310E/TR310E/TR311E/TR311E/TR312E/TR312E/TR313E/TR313E/TR314E/TR314E/TR315E/TR315E/TR316E/TR316E/TR317E/TR317E/TR318E/TR318E/TR319E/TR319E/TR320E/TR320E/TR321E/TR321E/TR322E/TR322E/TR323E/TR323E/TR324E/TR324E/TR325E/TR325E/TR326E/TR326E/TR327E/TR327E/TR328E/TR328E/TR329E/TR329E/TR330E/TR330E/TR331E/TR331E/TR332E/TR332E/TR333E/TR333E/TR334E/TR334E/TR335E/TR335E/TR336E/TR336E/TR337E/TR337E/TR338E/TR338E/TR339E/TR339E/TR340E/TR340E/TR341E/TR341E/TR342E/TR342E/TR343E/TR343E/TR344E/TR344E/TR345E/TR345E/TR346E/TR346E/TR347E/TR347E/TR348E/TR348E/TR349E/TR349E/TR350E/TR350E/TR351E/TR351E/TR352E/TR352E/TR353E/TR353E/TR354E/TR354E/TR355E/TR355E/TR356E/TR356E/TR357E/TR357E/TR358E/TR358E/TR359E/TR359E/TR360E/TR360E/TR361E/TR361E/TR362E/TR362E/TR363E/TR363E/TR364E/TR364E/TR365E/TR365E/TR366E/TR366E/TR367E/TR367E/TR368E/TR368E/TR369E/TR369E/TR370E/TR370E/TR371E/TR371E/TR372E/TR372E/TR373E/TR373E/TR374E/TR374E/TR375E/TR375E/TR376E/TR376E/TR377E/TR377E/TR378E/TR378E/TR379E/TR379E/TR380E/TR380E/TR381E/TR381E/TR382E/TR382E/TR383E/TR383E/TR384E/TR384E/TR385E/TR385E/TR386E/TR386E/TR387E/TR387E/TR388E/TR388E/TR389E/TR389E/TR390E/TR390E/TR391E/TR391E/TR392E/TR392E/TR393E/TR393E/TR394E/TR394E/TR395E/TR395E/TR396E/TR396E/TR397E/TR397E/TR398E/TR398E/TR399E/TR399E/TR400E/TR400E/TR401E/TR401E/TR402E/TR402E/TR403E/TR403E/TR404E/TR404E/TR405E/TR405E/TR406E/TR406E/TR407E/TR407E/TR408E/TR408E/TR409E/TR409E/TR410E/TR410E/TR411E/TR411E/TR412E/TR412E/TR413E/TR413E/TR414E/TR414E/TR415E/TR415E/TR416E/TR416E/TR417E/TR417E/TR418E/TR418E/TR419E/TR419E/TR420E/TR420E/TR421E/TR421E/TR422E/TR422E/TR423E/TR423E/TR424E/TR424E/TR425E/TR425E/TR426E/TR426E/TR427E/TR427E/TR428E/TR428E/TR429E/TR429E/TR430E/TR430E/TR431E/TR431E/TR432E/TR432E/TR433E/TR433E/TR434E/TR434E/TR435E/TR435E/TR436E/TR436E/TR437E/TR437E/TR438E/TR438E/TR439E/TR439E/TR440E/TR440E/TR441E/TR441E/TR442E/TR442E/TR443E/TR443E/TR444E/TR444E/TR445E/TR445E/TR446E/TR446E/TR447E/TR447E/TR448E/TR448E/TR449E/TR449E/TR450E/TR450E/TR451E/TR451E/TR452E/TR452E/TR453E/TR453E/TR454E/TR454E/TR455E/TR455E/TR456E/TR456E/TR457E/TR457E/TR458E/TR458E/TR459E/TR459E/TR460E/TR460E/TR461E/TR461E/TR462E/TR462E/TR463E/TR463E/TR464E/TR464E/TR465E/TR465E/TR466E/TR466E/TR467E/TR467E/TR468E/TR468E/TR469E/TR469E/TR470E/TR470E/TR471E/TR471E/TR472E/TR472E/TR473E/TR473E/TR474E/TR474E/TR475E/TR475E/TR476E/TR476E/TR477E/TR477E/TR478E/TR478E/TR479E/TR479E/TR480E/TR480E/TR481E/TR481E/TR482E/TR482E/TR483E/TR483E/TR484E/TR484E/TR485E/TR485E/TR486E/TR486E/TR487E/TR487E/TR488E/TR488E/TR489E/TR489E/TR490E/TR490E/TR491E/TR491E/TR492E/TR492E/TR493E/TR493E/TR494E/TR494E/TR495E/TR495E/TR496E/TR496E/TR497E/TR497E/TR498E/TR498E/TR499E/TR499E/TR500E/TR500E/TR501E/TR501E/TR502E/TR502E/TR503E/TR503E/TR504E/TR504E/TR505E/TR505E/TR506E/TR506E/TR507E/TR507E/TR508E/TR508E/TR509E/TR509E/TR510E/TR510E/TR511E/TR511E/TR512E/TR512E/TR513E/TR513E/TR514E/TR514E/TR515E/TR515E/TR516E/TR516E/TR517E/TR517E/TR518E/TR518E/TR519E/TR519E/TR520E/TR520E/TR521E/TR521E/TR522E/TR522E/TR523E/TR523E/TR524E/TR524E/TR525E/TR525E/TR526E/TR526E/TR527E/TR527E/TR528E/TR528E/TR529E/TR529E/TR530E/TR530E/TR531E/TR531E/TR532E/TR532E/TR533E/TR533E/TR534E/TR534E/TR535E/TR535E/TR536E/TR536E/TR537E/TR537E/TR538E/TR538E/TR539E/TR539E/TR540E/TR540E/TR541E/TR541E/TR542E/TR542E/TR543E/TR543E/TR544E/TR544E/TR545E/TR545E/TR546E/TR546E/TR547E/TR547E/TR548E/TR548E/TR549E/TR549E/TR550E/TR550E/TR551E/TR551E/TR552E/TR552E/TR553E/TR553E/TR554E/TR554E/TR555E/TR555E/TR556E/TR556E/TR557E/TR557E/TR558E/TR558E/TR559E/TR559E/TR560E/TR560E/TR561E/TR561E/TR562E/TR562E/TR563E/TR563E/TR564E/TR564E/TR565E/TR565E/TR566E/TR566E/TR567E/TR567E/TR568E/TR568E/TR569E/TR569E/TR570E/TR570E/TR571E/TR571E/TR572E/TR572E/TR573E/TR573E/TR574E/TR574E/TR575E/TR575E/TR576E/TR576E/TR577E/TR577E/TR578E/TR578E/TR579E/TR579E/TR580E/TR580E/TR581E/TR581E/TR582E/TR582E/TR583E/TR583E/TR584E/TR584E/TR585E/TR585E/TR586E/TR586E/TR587E/TR587E/TR588E/TR588E/TR589E/TR589E/TR590E/TR590E/TR591E/TR591E/TR592E/TR592E/TR593E/TR593E/TR594E/TR594E/TR595E/TR595E/TR596E/TR596E/TR597E/TR597E/TR598E/TR598E/TR599E/TR599E/TR600E/TR600E/TR601E/TR601E/TR602E/TR602E/TR603E/TR603E/TR604E/TR604E/TR605E/TR605E/TR606E/TR606E/TR607E/TR607E/TR608E/TR608E/TR609E/TR609E/TR610E/TR610E/TR611E/TR611E/TR612E/TR612E/TR613E/TR613E/TR614E/TR614E/TR615E/TR615E/TR616E/TR616E/TR617E/TR617E/TR618E/TR618E/TR619E/TR619E/TR620E/TR620E/TR621E/TR621E/TR622E/TR622E/TR623E/TR623E/TR624E/TR624E/TR625E/TR625E/TR626E/TR626E/TR627E/TR627E/TR628E/TR628E/TR629E/TR629E/TR630E/TR630E/TR631E/TR631E/TR632E/TR632E/TR633E/TR633E/TR634E/TR634E/TR635E/TR635E/TR636E/TR636E/TR637E/TR637E/TR638E/TR638E/TR639E/TR639E/TR640E/TR640E/TR641E/TR641E/TR642E/TR642E/TR643E/TR643E/TR644E/TR644E/TR645E/TR645E/TR646E/TR646E/TR647E/TR647E/TR648E/TR648E/TR649E/TR649E/TR650E/TR650E/TR651E/TR651E/TR652E/TR652E/TR653E/TR653E/TR654E/TR654E/TR655E/TR655E/TR656E/TR656E/TR657E/TR657E/TR658E/TR658E/TR659E/TR659E/TR660E/TR660E/TR661E/TR661E/TR662E/TR662E/TR663E/TR663E/TR664E/TR664E/TR665E/TR665E/TR666E/TR666E/TR667E/TR667E/TR668E/TR668E/TR669E/TR669E/TR670E/TR670E/TR671E/TR671E/TR672E/TR672E/TR673E/TR673E/TR674E/TR674E/TR675E/TR675E/TR676E/TR676E/TR677E/TR677E/TR678E/TR678E/TR679E/TR679E/TR680E/TR680E/TR681E/TR681E/TR682E/TR682E/TR683E/TR683E/TR684E/TR684E/TR685E/TR685E/TR686E/TR686E/TR687E/TR687E/TR688E/TR688E/TR689E/TR689E/TR690E/TR690E/TR691E/TR691E/TR692E/TR692E/TR693E/TR693E/TR694E/TR694E/TR695E/TR695E/TR696E/TR696E/TR697E/TR697E/TR698E/TR698E/TR699E/TR699E/TR700E/TR700E/TR701E/TR701E/TR702E/TR702E/TR703E/TR703E/TR704E/TR704E/TR705E/TR705E/TR706E/TR706E/TR707E/TR707E/TR708E/TR708E/TR709E/TR709E/TR710E/TR710E/TR711E/TR711E/TR712E/TR712E/TR713E/TR713E/TR714E/TR714E/TR715E/TR715E/TR716E/TR716E/TR717E/TR717E/TR718E/TR718E/TR719E/TR719E/TR720E/TR720E/TR721E/TR721E/TR722E/TR722E/TR723E/TR723E/TR724E/TR724E/TR725E/TR725E/TR726E/TR726E/TR727E/TR727E/TR728E/TR728E/TR729E/TR729E/TR730E/TR730E/TR731E/TR731E/TR732E/TR732E/TR733E/TR733E/TR734E/TR734E/TR735E/TR735E/TR736E/TR736E/TR737E/TR737E/TR738E/TR738E/TR739E/TR739E/TR740E/TR740E/TR741E/TR741E/TR742E/TR742E/TR743E/TR743E/TR744E/TR744E/TR745E/TR745E/TR746E/TR746E/TR747E/TR747E/TR748E/TR748E/TR749E/TR749E/TR750E/TR750E/TR751E/TR751E/TR752E/TR752E/TR753E/TR753E/TR754E/TR754E/TR755E/TR755E/TR756E/TR756E/TR757E/TR757E/TR758E/TR758E/TR759E/TR759E/TR760E/TR760E/TR761E/TR761E/TR762E/TR762E/TR763E/TR763E/TR764E/TR764E/TR765E/TR765E/TR766E/TR766E/TR767E/TR767E/TR768E/TR768E/TR769E/TR769E/TR770E/TR770E/TR771E/TR771E/TR772E/TR772E/TR773E/TR773E/TR774E/TR774E/TR775E/TR775E/TR776E/TR776E/TR777E/TR777E/TR778E/TR778E/TR779E/TR779E/TR780E/TR780E/TR781E/TR781E/TR782E/TR782E/TR783E/TR783E/TR784E/TR784E/TR785E/TR785E/TR786E/TR786E/TR787E/TR787E/TR788E/TR788E/TR789E/TR789E/TR790E/TR790E/TR791E/TR791E/TR792E/TR792E/TR793E/TR793E/TR794E/TR794E/TR795E/TR795E/TR796E/TR796E/TR797E/TR797E/TR798E/TR798E/TR799E/TR799E/TR800E/TR800E/TR801E/TR801E/TR802E/TR802E/TR803E/TR803E/TR804E/TR804E/TR805E/TR805E/TR806E/TR806E/TR807E/TR807E/TR808E/TR808E/TR809E/TR809E/TR810E/TR810E/TR811E/TR811E/TR812E/TR812E/TR813E/TR813E/TR814E/TR814E/TR815E/TR815E/TR816E/TR816E/TR817E/TR817E/TR818E/TR818E/TR819E/TR819E/TR820E/TR820E/TR821E/TR821E/TR822E/TR822E/TR823E/TR823E/TR824E/TR824E/TR825E/TR825E/TR826E/TR826E/TR827E/TR827E/TR828E/TR828E/TR829E/TR829E/TR830E/TR830E/TR831E/TR831E/TR832E/TR832E/TR833E/TR833E/TR834E/TR834E/TR835E/TR835E/TR836E/TR836E/TR837E/TR837E/TR838E/TR838E/TR839E/TR839E/TR840E/TR840E/TR841E/TR841E/TR842E/TR842E/TR843E/TR843E/TR844E/TR844E/TR845E/TR845E/TR846E/TR846E/TR847E/TR847E/TR848E/TR848E/TR849E/TR849E/TR850E/TR850E/TR851E/TR851E/TR852E/TR852E/TR853E/TR853E/TR854E/TR854E/TR855E/TR855E/TR856E/TR856E/TR857E/TR857E/TR858E/TR858E/TR859E/TR859E/TR860E/TR860E/TR861E/TR861E/TR862E/TR862E/TR863E/TR863E/TR864E/TR864E/TR865E/TR865E/TR866E/TR866E/TR867E/TR867E/TR868E/TR868E/TR869E/TR869E/TR870E/TR870E/TR871E/TR871E/TR872E/TR872E/TR873E/TR873E/TR874E/TR874E/TR875E/TR875E/TR876E/TR876E/TR877E/TR877E/TR878E/TR878E/TR879E/TR879E/TR880E/TR880E/TR881E/TR881E/TR882E/TR882E/TR883E/TR883E/TR884E/TR884E/TR885E/TR885E/TR886E/TR886E/TR887E/TR887E/TR888E/TR888E/TR889E/TR889E/TR890E/TR890E/TR891E/TR891E/TR892E/TR892E/TR893E/TR893E/TR894E/TR894E/TR895E/TR895E/TR896E/TR896E/TR897E/TR897E/TR898E/TR898E/TR899E/TR899E/TR900E/TR900E/TR901E/TR901E/TR902E/TR902E/TR903E/TR903E/TR904E/TR904E/TR905E/TR905E/TR906E/TR906E/TR907E/TR907E/TR908E/TR908E/TR909E/TR909E/TR910E/TR910E/TR911E/TR911E/TR912E/TR912E/TR913E/TR913E/TR914E/TR914E/TR915E/TR915E/TR916E/TR916E/TR917E/TR917E/TR918E/TR918E/TR919E/TR919E/TR920E/TR920E/TR921E/TR921E/TR922E/TR922E/TR923E/TR923E/TR924E/TR924E/TR925E/TR925E/TR926E/TR926E/TR927E/TR927E/TR928E/TR928E/TR929E/TR929E/TR930E/TR930E/TR931E/TR931E/TR932E/TR932E/TR933E/TR933E/TR934E/TR934E/TR935E/TR935E/TR936E/TR936E/TR937E/TR937E/TR938E/TR938E/TR939E/TR939E/TR940E/TR940E/TR941E/TR941E/TR942E/TR942E/TR943E/TR943E/TR944E/TR944E/TR945E/TR945E/TR946E/TR946E/TR947E/TR947E/TR948E/TR948E/TR949E/TR949E/TR950E/TR950E/TR951E/TR951E/TR952E/TR952E/TR953E/TR953E/TR954E/TR954E/TR955E/TR955E/TR956E/TR956E/TR957E/TR957E/TR958E/TR958E/TR959E/TR959E/TR960E/TR960E/TR961E/TR961E/TR962E/TR962E/TR963E/TR963E/TR964E/TR964E/TR965E/TR965E/TR966E/TR966E/TR967E/TR967E/TR968E/TR968E/TR969E/TR969E/TR970E/TR970E/TR971E/TR971E/TR972E/TR972E/TR973E/TR973E/TR974E/TR974E/TR975E/TR975E/TR976E/TR976E/TR977E/TR977E/TR978E/TR978E/TR979E/TR979E/TR980E/TR980E/TR981E/TR981E/TR982E/TR982E/TR983E/TR983E/TR984E/TR984E/TR985E/TR985E/TR986E/TR986E/TR987E/TR987E/TR988E/TR988E/TR989E/TR989E/TR990E/TR990E/TR991E/TR991E/TR992E/TR992E/TR993E/TR993E/TR994E/TR994E/TR995E/TR995E/TR996E/TR996E/TR997E/TR997E/TR998E/TR998E/TR999E/TR999E/TR1000E/TR1000E/TR1001E/TR1001E/TR1002E/TR1002E/TR1003E/TR1003E/TR1004E/TR1004E/TR1005E/TR1005E/TR1006E/TR1006E/TR1007E/TR1007E/TR1008E/TR1008E/TR1009E/TR1009E/TR1010E/TR1010E/TR1011E/TR1011E/TR1012E/TR1012E/TR1013E/TR1013E/TR1014E/TR1014E/TR1015E/TR1015E/TR1016E/TR1016E/TR1017E/TR1017E/TR1018E/TR1018E/TR1019E/TR1019E/TR1020E/TR1020E/TR1021E/TR1021E/TR1022E/TR1022E/TR1023E/TR1023E/TR1024E/TR1024E/TR1025E/TR1025E/TR1026E/TR1026E/TR1027E/TR1027E/TR1028E/TR1028E/TR1029E/TR1029E/TR1030E/TR1030E/TR1031E/TR1031E/TR1032E/TR1032E/TR1033E/TR1033E/TR1034E/TR1034E/TR1035E/TR1035E/TR1036E/TR1036E/TR1037E/TR1037E/TR1038E/TR1038E/TR1039E/TR1039E/TR1040E/TR1040E/TR1041E/TR1041E/TR1042E/TR1042E/TR1043E/TR1043E/TR1044E/TR1044E/TR1045E/TR1045E/TR1046E/TR1046E/TR1047E/TR1047E/TR1048E/TR1048E/TR1049E/TR1049E/TR1050E/TR1050E/TR1051E/TR1051E/TR1052E/TR1052E/TR1053E/TR1053E/TR1054E/TR1054E/TR1055E/TR1055E/TR1056E/TR1056E/TR1057E/TR1057E/TR1058E/TR1058E/TR1059E/TR1059E/TR1060E/TR1060E/TR1061E/TR1061E/TR1062E/TR1062E/TR1063E/TR1063E/TR1064E/TR1064E/TR1065E/TR1065E/TR1066E/TR1066E/TR1067E/TR1067E/TR1068E/TR1068E/TR1069E/TR1069E/TR1070E/TR1070E/TR1071E/TR1071E/TR1072E/TR1072E/TR1073E/TR1073E/TR1074E/TR1074E/TR1075E/TR1075E/TR1076E/TR1076E/TR1077E/TR1077E/TR1078E/TR1078E/TR1079E/TR1079E/TR10

Free Manuals Download Website

<http://myh66.com>

<http://usermanuals.us>

<http://www.somanuals.com>

<http://www.4manuals.cc>

<http://www.manual-lib.com>

<http://www.404manual.com>

<http://www.luxmanual.com>

<http://aubethermostatmanual.com>

Golf course search by state

<http://golfingnear.com>

Email search by domain

<http://emailbydomain.com>

Auto manuals search

<http://auto.somanuals.com>

TV manuals search

<http://tv.somanuals.com>