

# AC Adaptor/Charger Adaptateur/Chargeur CA

Operating Instructions  
Mode d'emploi

**ActiFORCE™**



## AC-VQH10

© 2007 Sony Corporation Printed in Japan

### Owner's Record

The model and serial numbers are located on the bottom of the unit. Record the serial number in the space provided below. Refer to these numbers whenever you call upon your Sony dealer regarding this product.

Model No. AC- \_\_\_\_\_ Serial No. \_\_\_\_\_

## WARNING

To reduce fire or shock hazard, do not expose the unit to rain or moisture.



CAUTION: TO REDUCE THE RISK OF ELECTRIC SHOCK, DO NOT REMOVE COVER (OR BACK). NO USER-SERVICEABLE PARTS INSIDE. REFER SERVICING TO QUALIFIED SERVICE PERSONNEL.



This symbol is intended to alert the user to the presence of uninsulated "Dangerous voltage" within the product's enclosure that may be of sufficient magnitude to constitute a risk of electric shock to persons.



This symbol is intended to alert the user to the presence of important operating and maintenance (servicing) instructions in the literature accompanying the appliance.

### NOTICE FOR THE CUSTOMERS IN THE U.S.A. AND CANADA

The Graphical Symbols with Supplemental Marking is located on the bottom of the unit.

### CAUTION

You are cautioned that any changes or modifications not expressly approved in this manual could void your authority to operate this equipment.

### Note:

This equipment has been tested and found to comply with the limits for a Class B digital device, pursuant to Part 15 of the FCC Rules. These limits are designed to provide reasonable protection against harmful interference in a residential installation. This equipment generates, uses, and can radiate radio frequency energy and, if not installed and used in accordance with the instructions, may cause harmful interference to radio communications.

However, there is no guarantee that interference will not occur in a particular installation. If this equipment does cause harmful interference to radio or television reception, which can be determined by turning the equipment off and on, the user is encouraged to try to correct the interference by one or more of the following measures:

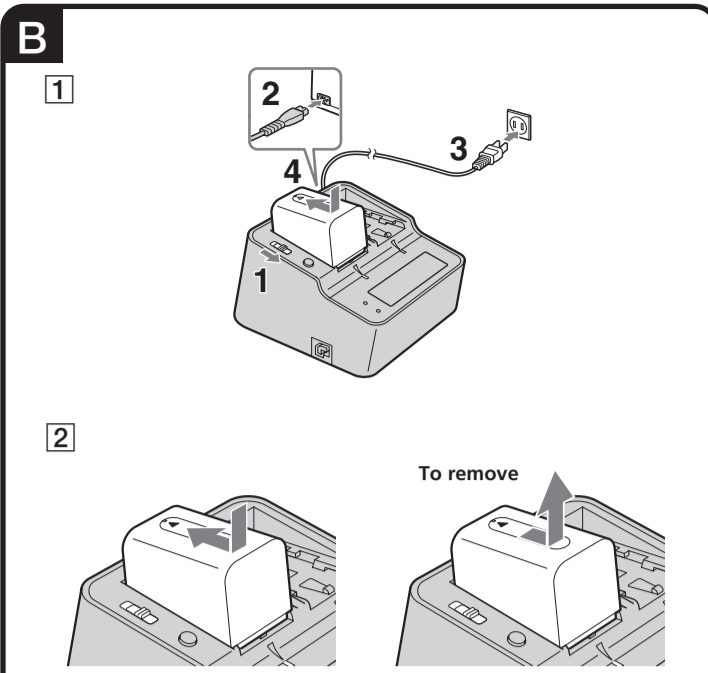
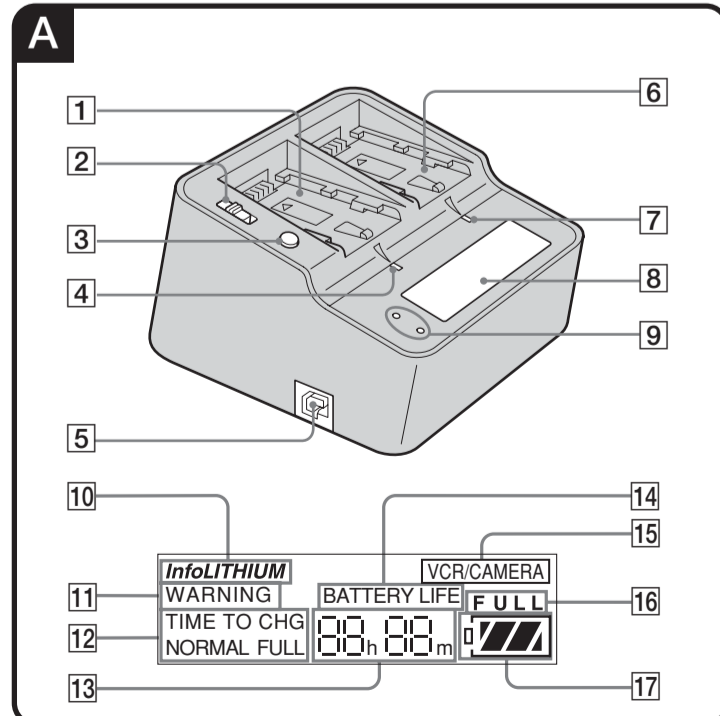
- Reorient or relocate the receiving antenna.
- Increase the separation between the equipment and receiver.
- Connect the equipment into an outlet on a circuit different from that to which the receiver is connected.
- Consult the dealer or an experienced radio/TV technician for help.

### NOTICE FOR THE CUSTOMERS IN THE UNITED KINGDOM

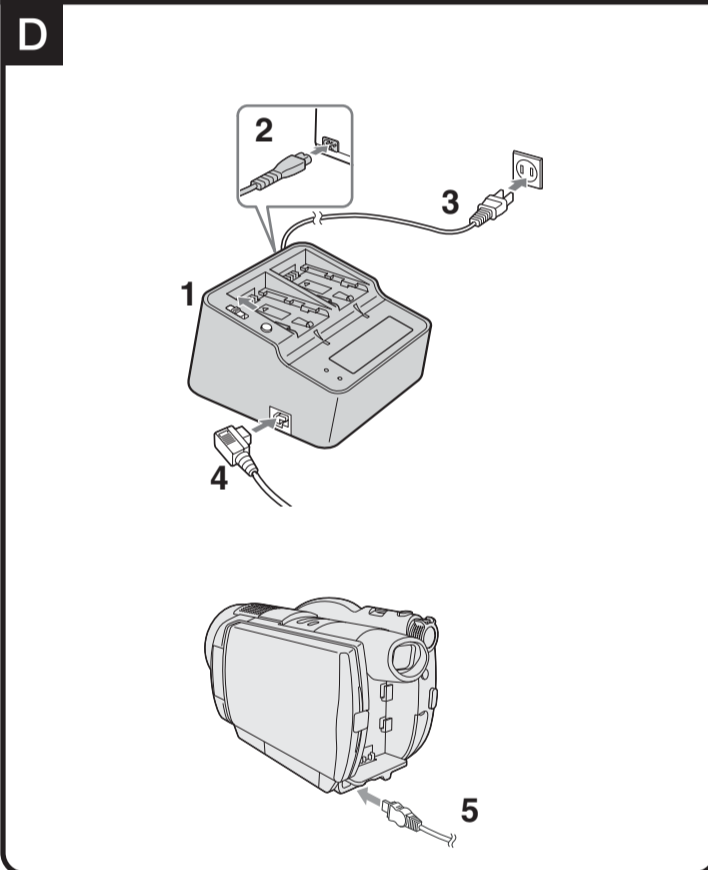
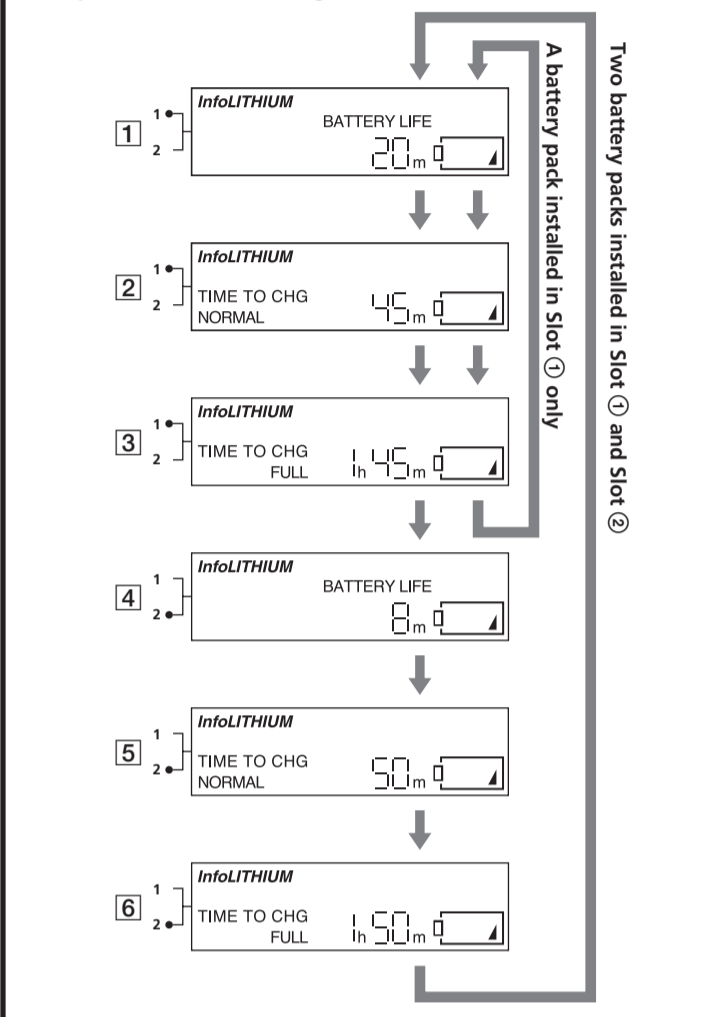
A moulded plug complying with BS 1363 is fitted to this equipment for your safety and convenience.

Should the fuse in the plug supplied need to be replaced, a fuse of the same rating as the supplied one and approved by ASTA or BSI to BS1362 (i.e., marked with or ) must be used.

If the plug supplied with this equipment has a detachable fuse cover, be sure to attach the fuse cover after you change the fuse. Never use the plug without the fuse cover. If you should lose the fuse cover, please contact your nearest Sony service station.



**C** The contents of the display window change each time you press the DISPLAY change button.



### English

Thank you for purchasing the Sony AC Adaptor/Charger.

Before operating the unit, please read this manual thoroughly and retain it for future reference.

The AC-VQH10 AC Adaptor/Charger can be used as follows:

- Connection cords are included with this unit to operate Sony equipment (video camera, etc.).
- For charging Sony rechargeable battery packs (H series, P series). The following functions are available when charging "InfoLITHIUM" battery packs. Being an "InfoLITHIUM" battery pack, it works with the following functions.

If an "ActiFORCE" is used, an even higher current is possible.

- Quick charging (Faster than charging with your video camera, etc.)
- Approximate charging time and battery life can be displayed.

- For charging lithium ion type battery packs. Cannot be used to recharge Ni-Cd or Ni-MH type batteries.
- Cannot be used with some models of equipment (camcorder, etc.). Confirm the compatibility of your equipment before use.

### What is "InfoLITHIUM" ?

"InfoLITHIUM" is a lithium ion battery pack which can exchange data with compatible electronic equipment about its battery consumption. We recommend that you use an "InfoLITHIUM" battery pack (H series, P series) with electronic equipment that has the mark.

"InfoLITHIUM" is a trademark of Sony Corporation.

### What is "ActiFORCE" ?

"ActiFORCE" is the functional name for the next generation power system. "ActiFORCE" has a higher capacity, quicker recharge, and faster and more accurate calculation of remaining battery capacity compared to our existing "InfoLITHIUM" battery pack P series power system.

"ActiFORCE" is a trademark of Sony Corporation.

## WARNING

To reduce fire or shock hazard, do not expose the unit to rain or moisture. To avoid electrical shock, do not open the cabinet. Refer servicing to qualified personnel only.

The AC Power cord must only be changed at a qualified service shop.

### CAUTION

Replace the battery with the specified type only. Otherwise, fire or injury may result.

### PRECAUTION

The set is not disconnected from the AC power source (mains) as long as it is connected to the wall outlet, even if the set itself has been turned off.



**Disposal of Old Electrical & Electronic Equipment (Applicable in the European Union and other European countries with separate collection systems)**  
This symbol on the product or on its packaging indicates that this product shall not be treated as household waste. Instead it shall be handed over to the applicable collection point for the recycling of electrical and electronic equipment. By ensuring this product is disposed of correctly, you will help prevent potential negative consequences for the environment and human health, which could otherwise be caused by inappropriate waste handling of this product. The recycling of materials will help to conserve natural resources. For more detailed information about recycling of this product, please contact your local Civic Office, your household waste disposal service or the shop where you purchased the product.

### Notes on Use

This unit does not have dust-proof, splash-proof or water-proof specifications.

### Notes on the battery life indicator (Read carefully before use.)

While charging the battery pack, this unit shows the battery life if used with your video equipment, etc. so long as the following conditions are met.

- Using the "InfoLITHIUM" battery pack
  - Using electronic equipment with the mark
- Make sure that you use a battery pack with the mark. Check in the operating instructions supplied with your video equipment whether it is "InfoLITHIUM" compatible.

If you use a battery pack with electronic equipment that does not have the mark, the battery life will not be indicated in minutes.\*

\*The indication may not be accurate due to the conditions and environment of use.

### Compensation for Recorded Content

We will not provide compensation for a failure to record or play back images, sound or other content due to a malfunction of the battery pack, AC adapter/charger.

### Charging

- Designed for use with compatible Sony battery packs.
- Only charge recommended battery packs with this unit.
- Attach the battery pack firmly.

### Charging temperature

- To provide maximum battery efficiency, the recommended temperature range when charging is 10 °C to 30 °C (50 °F to 86 °F).
- This unit complies with quick charging, but charging outside the recommended temperature range will lead to longer charging times in order to protect the battery pack. Once the charging time has been extended, it will not return to quick charging even if the temperature is brought within the recommended temperature range. Reattach the battery pack and then recharge it.

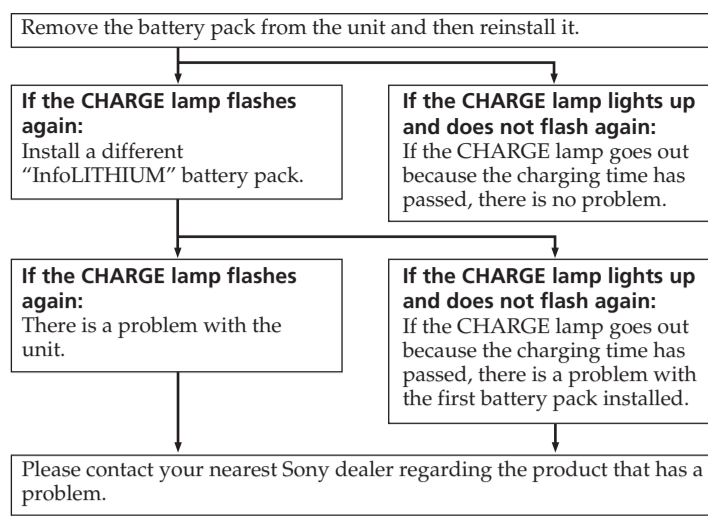
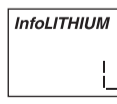
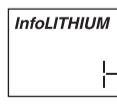
### Others

- Do not place the unit in a location where it is:
    - Extremely hot or cold
  - Placing this unit in locations subject to the direct sunlight such as on dashboards or near heating apparatus may cause this unit to deform or malfunction.
  - Dusty or dirty
  - In locations such as the seashore and other sandy areas or where dust clouds occur, protect the unit from sand and dust. There is risk of break down.
  - Very humid
  - Vibrating
- Charge the battery pack on a flat surface without vibration.
- Do not use the unit placed in a narrow space, such as between a wall and furniture.
  - Attach the battery pack firmly. The battery terminal may be damaged if the battery pack is not attached correctly.
  - Do not use this unit in a place with strong radio waves or radiation. Video cameras etc. may not be able to record or play back correctly.
  - To protect the battery pack, remove the battery pack from the unit as soon as the charging is completed.
  - Do not apply mechanical shock or drop the unit.
  - Keep the unit away from a TV or AM receivers. In particular, noise from the device may enter a TV or radio if it is placed nearby.
  - Use this unit near to a wall outlet. This is to ensure that the power plug can be immediately unplugged from the wall outlet to turn the power off if some abnormality occurs during use.
  - Be sure that nothing metallic comes into contact with the metal parts of the unit or connecting plate. If it does, a short may occur and the unit may be damaged.
  - Do not connect this unit to a voltage adaptor (travel converter) for overseas travel. This may result in overheating or other malfunction.
  - While the unit is in use, it gets warm. But this is normal.
  - Unplug the unit from the wall outlet after use. To disconnect the cord, pull it out by the plug. Never pull the cord itself.
  - Connect this unit to an available wall socket. Even though the CHARGE lamp of this unit is off, it is not disconnected from the power source. If any trouble occurs while the unit is in use, unplug it from the wall socket to disconnect the power source.
  - The negligible amount of electric current will flow into the AC adaptor/charger as long as the AC adaptor/charger is plugged into the wall outlet.
  - Unplug the unit from the wall outlet if it will not be used for extended period of time. To disconnect the cord, pull it out by the plug. Never pull the cord itself.
  - Do not operate the unit with a damaged cord or if it has been dropped or damaged.
  - The nameplate indicating operating voltage, power consumption, etc. is located on the bottom.
  - Always keep the metal contacts clean.
  - Do not disassemble or convert the unit.

If any difficulty should arise, unplug the unit and contact your nearest Sony dealer.

## Troubleshooting

Symptom	Cause/Solution
Video equipment does not work.	<ul style="list-style-type: none"> <li>• The power plug is disconnected from the wall outlet. <ul style="list-style-type: none"> <li>→ Insert into a wall outlet.</li> </ul> </li> <li>• The connector cable is not properly connected. <ul style="list-style-type: none"> <li>→ Connect properly.</li> </ul> </li> <li>• The mode change switch is set to CHARGE. <ul style="list-style-type: none"> <li>→ Set the mode change switch to VCR/CAMERA.</li> </ul> </li> </ul>
The battery pack is not charged.	<ul style="list-style-type: none"> <li>• The mode change switch is set to VCR/CAMERA. <ul style="list-style-type: none"> <li>→ Set the mode change switch to CHARGE.</li> </ul> </li> </ul>
Power immediately turns off even though the battery pack is sufficient battery life, or the displayed battery life differs from the actual battery life.	<ul style="list-style-type: none"> <li>• Run down the battery pack and then fully charge it again. <ul style="list-style-type: none"> <li>→ The battery life will be correctly displayed.</li> </ul> </li> </ul>
The display is not changed.	<ul style="list-style-type: none"> <li>→ Refer to "Notes on the battery life indicator (Read carefully before use)".</li> </ul>
Quick charging is not performed.	<ul style="list-style-type: none"> <li>• The temperature of the battery pack is too high or too low. <ul style="list-style-type: none"> <li>→ The display shown below may appear if a battery pack with a high or low temperature is attached, or if charging is performed outside the recommended charging temperature range of 10 °C to 30 °C (50 °F to 86 °F). Although charging can still be performed in these cases, quick charging is not performed in order to protect the battery pack.</li> </ul> </li> </ul>
The CHARGE lamp blinks and "WARNING" is displayed in the display window.	<ul style="list-style-type: none"> <li>• When charging a battery pack after a long period of non-use. <ul style="list-style-type: none"> <li>→ A battery that has not been used for a long time may lack the minimum required remaining capacity for the unit and battery pack to recognize each another. In this case, remove the battery pack from the unit and then install and charge it again. If "WARNING" is still displayed, check according to the following procedure.</li> </ul> </li> </ul>



## Specifications

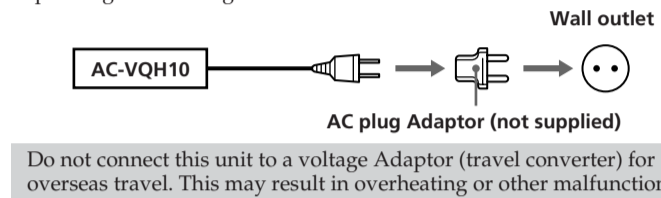
AC-VQH10	
Input	100 - 240 V AC 50/60 Hz
Output	8.4 V DC 1.7 A (VCR) 8.4 V DC 2.2 A (BATT) 0 °C to 40 °C (32 °F to 104 °F) -20 °C to +60 °C (-4 °F to +140 °F)
Operating temperature	
Storage temperature	
Dimensions (excluding the projecting parts)	Approx. 100 × 67 × 111 mm (w/h/d)
Mass	Approx. 330 g (11.70 oz.)

Included items	AC Adaptor/Charger (AC-VQH10)..... (1)
	AC Power cord ..... (1)
	Connecting cord (DK-225) ..... (1)
	Set of printed documentation

Design and specifications are subject to change without notice.

### Note

Use a commercially available AC plug Adaptor (not supplied), if necessary, depending on the design of the wall outlet.



## Identifying the parts

Part Number	Part Name	Display Window
1	Slot ①	10 "InfoLITHIUM" indicator
2	Mode change switch	11 WARNING indicator
3	DISPLAY change button	12 TIME TO CHG (charge) indicator
4	CHARGE lamp ①	13 Time indicator
5	DC OUT connector	14 BATTERY LIFE indicator
6	Slot ②	15 VCR/CAMERA indicator
7	CHARGE lamp ②	16 Full charge indicator
8	Display window	17 Battery life indicator
9	Slot indicator lamp	

## To Charge the Battery Pack

See illustration B-1.

Also refer to the operating instructions of your device (video camera etc.) and battery pack.

- Set the mode change switch to CHARGE.
- Connect the AC Power cord to this unit.
- Connect the AC Power cord to a wall outlet. There is a beep and the display window comes on.
- Install the battery pack. Refer to "To install the battery pack" when installing the battery pack. When charging starts, the battery mark in the display window blinks in order, and the charging lamp lights.
- When charging is complete, remove the battery pack. There are two levels of charge completion: "Normal charge" and "Full charge."
  - Normal charge

When charge is completed, the battery mark will be displayed as illustrated to the right.	
---	--

- Full charge

If you continue to charge after normal charging is complete until the battery mark shows "FULL", the battery pack can be used slightly longer than when in the normal charged state.	
--	--

Refer to "To remove the battery pack" when removing the battery pack.

### Installing two battery packs simultaneously

This unit allows installation of two battery packs simultaneously. Charging starts with the battery pack installed in Slot ①. When two battery packs are installed but not simultaneously, charging starts with the battery pack installed first regardless of whether it is in Slot ① or ②.

### Note

This unit cannot charge two battery packs simultaneously.

### To install the battery pack

See illustration B-2.

- Place the battery pack on this unit with the mark facing the terminal.
- Slide the battery pack in the direction of the arrow.

### To remove the battery pack

See illustration B-3.

Slide the battery pack in the direction of the arrow and lift it straight out.

### Notes

- Do not lift the unit by holding the battery pack.
- Be particularly careful not to hit it when installing the battery pack etc.
- Be careful not to pinch your fingers while installing or removing the battery pack.

### Charging time

The following tables show the charging time for a main battery pack that has been completely discharged.

#### Quick Charge

	NP-FH100	NP-FH70	NP-FH50
Normal charge	125 min	60 min	55 min
Full charge	185 min	120 min	115 min

#### "InfoLITHIUM" battery pack P series

	NP-PP90	NP-PP71	NP-PP50
Normal charge	115 min	80 min	65 min
Full charge	175 min	140 min	125 min

- The charging time may differ depending on the condition of the battery pack or the ambient temperature.
- The times shown are for charging an empty battery pack which has been run down with a video camera etc., using this unit at an ambient temperature of 25 °C (77 °F).

### Using the battery pack quickly

If necessary, you can remove the battery pack and use it before charging is complete. However, the available battery time differs depending on the charging time.

### Charging time and "10-minute charging/65-minute (approx.) recording"

The times shown are the approximate continuous recording times at an ambient temperature of 25 °C (77 °F) when using an NP-FH70 rechargeable battery pack (not supplied) and a video camera that has a power consumption of 1.8 W when used without its LCD display. When using a battery pack immediately after running it down with a video camera. Except a battery pack that has deteriorated, for example because it has not been used for a long time. There are two kinds of charging, normal charge and full charge. The approximately 25% increase compared to existing products means the rate of improvement in complete normal charging time compared to our existing AC adaptor/charger AC-VQP10. Generally, the charging time and available recording time depend on the battery pack and the conditions of use.

### Notes

- If the mode change switch is set to VCR/CAMERA during charging, charging stops.
- If the CHARGE lamp does not light up or flash, check that the battery pack is correctly attached to the AC Adaptor/Charger. If it is not attached correctly, it will not be charged.
- If anything goes wrong during charging, the charge lamp blinks and "WARNING" appears on the display. For details, see "Troubleshooting".

### To Check Charging

See illustration G.

You can check the charging time on the display during charging. When charging starts, BATTERY LIFE lights up in the display window. The battery life displayed is the approximate time remaining for taking photographs using the viewfinder. The battery life is shorter if the LCD display is used.

The battery life may not be displayed with certain video equipment. For details, refer to "Notes on the battery life indicator (Read carefully before use)".

### Press DISPLAY during charging.

During charging, the contents of the display window change each time you press the DISPLAY change button. The slot indicator lamp shows the slot number for the battery information displayed. When two battery packs are installed simultaneously, the time display of the battery pack not being charged returns automatically after about 10 seconds to the time display of the battery pack being charged.

Here is an example of installing a battery pack in Slot ① followed by another in Slot ②. The slot indicator lamp corresponds to the slot number.

- Battery life if the first installed battery pack is installed in your "InfoLITHIUM" electronic equipment.
- Remaining time until normal charging of the first installed battery pack is complete. The normal charge time is not displayed after normal charging is complete.
- Remaining time until full charging of the first installed battery pack is complete. The full charge time is not displayed after full charging is complete.
- Battery life if the last installed battery pack is installed in your "InfoLITHIUM" electronic equipment.
- Remaining time until normal charging of the last installed battery pack is complete. The normal charge time is not displayed after normal charging is complete.
- Remaining time until full charging of the last installed battery pack is complete.

### Notes

- The time display shows the approximate time when charging at 25 °C (77 °F). The time display may differ from the actual charging time due to the environment of use.
- The time display of the battery pack on the side not being charged may take some time to appear.
- The time display may show "----" in the following cases. This is not a malfunction.
  - There is a difference between the displayed time and actual charging time. Even if this happens, continue charging.
  - When charging a battery other than an "InfoLITHIUM" battery pack (Battery life display and other functions are not available.)
- Full charging requires about one hour after normal charging is complete. If you remove the battery pack between normal charge and full charge, the charging time may not be displayed properly in the next charging.
- When charging a battery that has not been used for a long time, the displayed battery life and full charge time sometimes differ from the actual times. This is not a malfunction. If this happens, fully charge the battery pack. The correct times can then be displayed.
- If you install a fully charged battery pack in this unit, "TIME TO CHG FULL 1h" may appear on the display. This is not a malfunction.
- It may take some time after pressing DISPLAY for the time to be displayed.
- To display the battery life of a new battery pack, first install it in your video camera recorder and use it for about 20 seconds, and then charge it with this unit.
- It may take some time for the time to be displayed for the battery pack that is not being charged. Sometimes the time may not be displayed at all due to the condition of the battery pack. Neither case is a malfunction.
- In the following cases, some deviance may occur in the time displayed. This is not due to any malfunction.
  - If the battery pack is removed from this unit after normal charge is finished but before full charge is finished. (It takes about one hour from when normal charge is complete to when full charge is complete.)
  - When charging a battery pack that has not been used for a long time. (Fully charge once first.)
  - When charging a P series "InfoLITHIUM" battery pack, it may take about one minute after installing the battery pack for the time to appear in the display window.

## To Operate Video Equipment

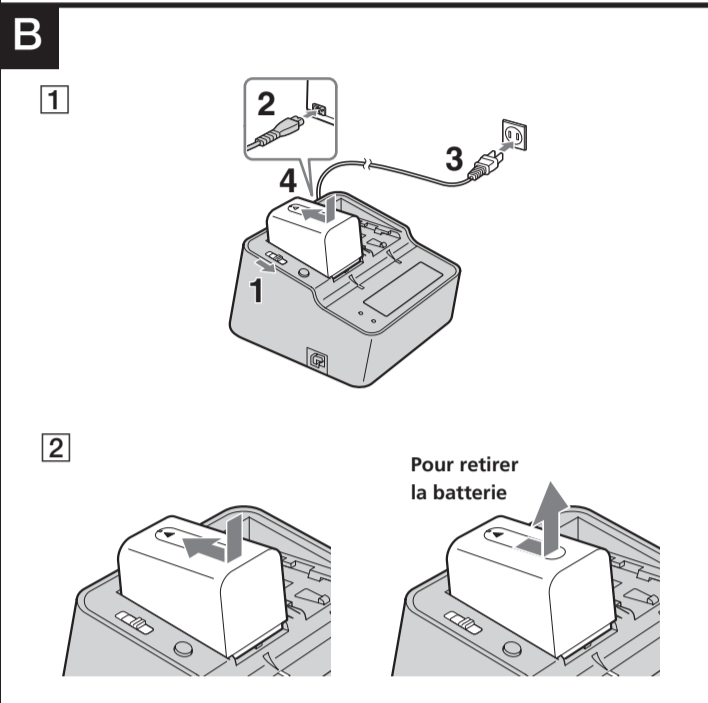
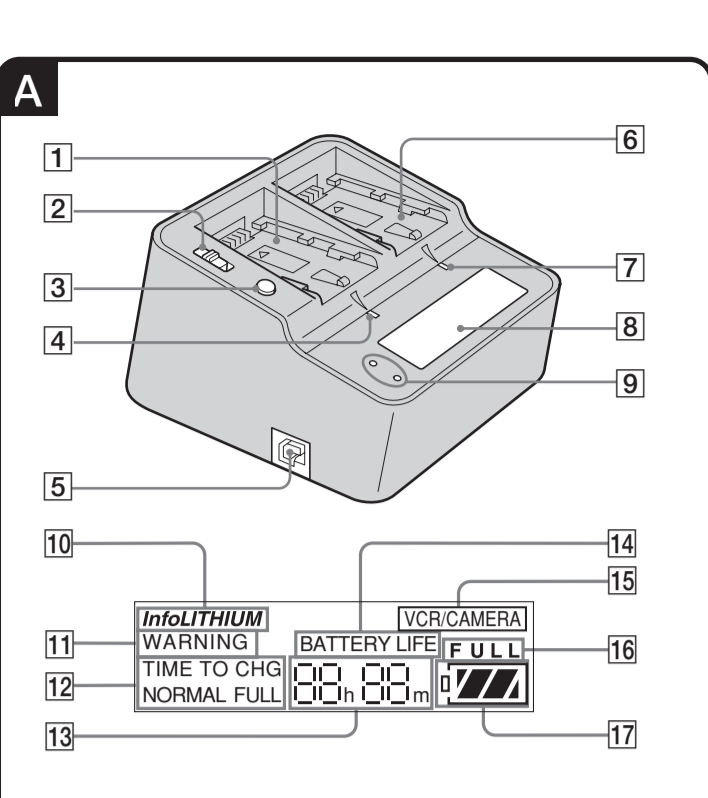
See illustration D.

For details of connection, refer to the operating instructions of the video equipment.

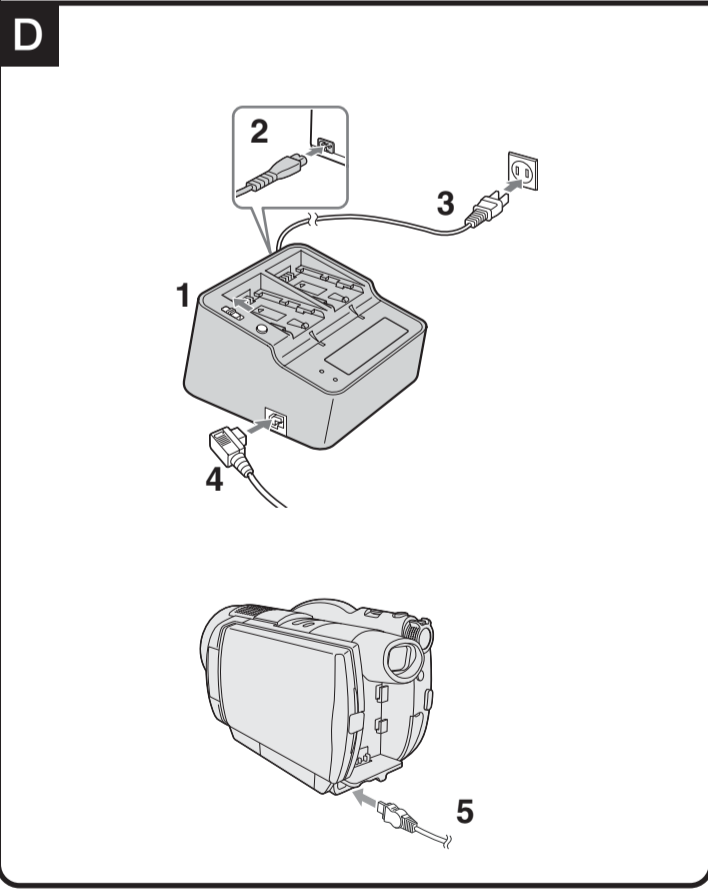
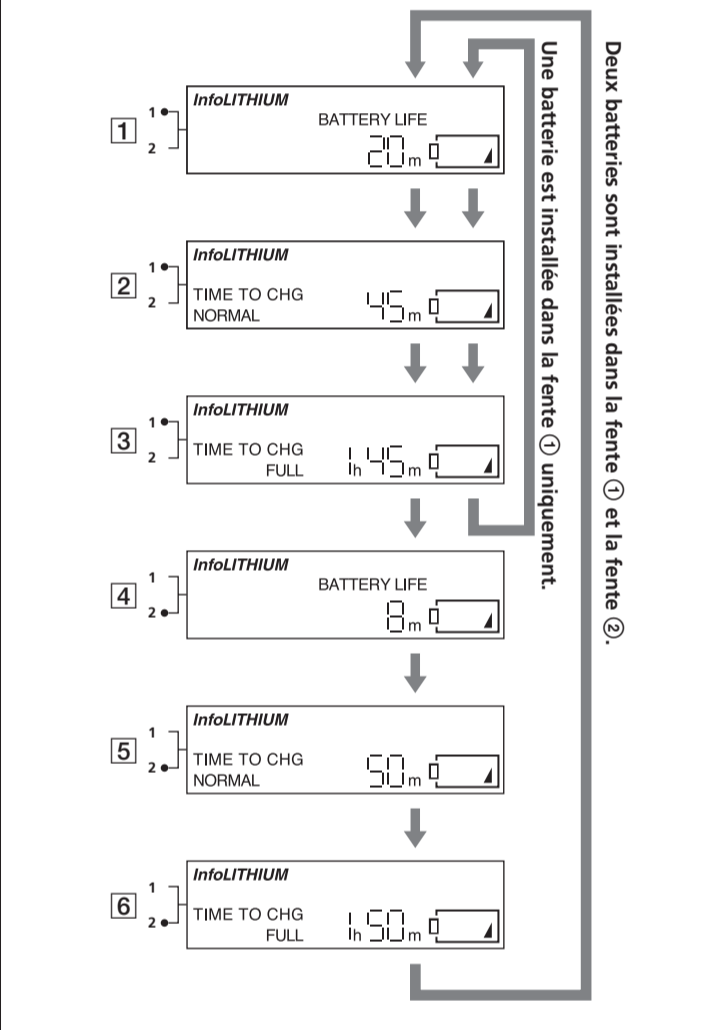
- Set the mode change switch to VCR/CAMERA.
- Connect the AC Power cord to this unit.
- Connect the AC Power cord to a wall outlet. There is a beep and the display window comes on.
- Connect the connecting cord to the DC OUT connector of this unit.
- Connect the connecting cord to the video equipment. For the direction in which to fit the connecting cord, refer to the operating instructions of video camera etc.

### Notes

- Setting the mode change switch to CHARGE while operating the video equipment cuts the power supply to the video equipment.
- You cannot charge a battery pack installed in this unit when in VCR/CAMERA mode.
- Keep this unit away from your video equipment if the image is distorted.
- The connecting cord supplied with this unit may be unusable with your video camera. In this case, use the connecting cord supplied with your video camera.
- The illustrated example is of connection to an HDR-UX7 digital HD video camera recorder.



**C Le contenu de la fenêtre d'affichage change chaque fois que vous appuyez sur la touche de réglage DISPLAY.**



## Français

Nous vous remercions d'avoir fait l'acquisition de cet adaptateur secteur / chargeur Sony.

Avant d'utiliser l'appareil, veuillez lire attentivement ce manuel et le conserver pour toute référence future.

L'adaptateur secteur / chargeur AC-VQH10 peut être utilisé comme suit :

- Pour faire fonctionner les appareils Sony (caméra vidéo, etc.) à l'aide des cordons de raccordement fournis.
- Pour charger les batteries Sony (série H, série P).
- Les fonctions suivantes sont disponibles lorsque vous chargez des batteries « InfoLITHIUM ». Cette batterie étant une batterie « InfoLITHIUM », les fonctions suivantes sont donc disponibles.
- L'utilisation d'une batterie « ActiFORCE » offre des possibilités de contrôle plus étendues.
  - Charge rapide (Plus rapide que la charge avec votre caméra vidéo, etc.)
  - L'autonomie et le temps de charge approximatifs peuvent être affichés.
- Pour charger des batteries au lithium-ion. Les batteries au Ni-Cd ou Ni-MH ne peuvent pas être chargées.
- Certains modèles d'appareils ne sont pas compatibles (caméscope, etc.). Vérifiez la compatibilité de votre appareil avant toute utilisation.

**Que signifie « InfoLITHIUM » ?**  
Les batteries « InfoLITHIUM » sont des batteries au lithium-ion qui peuvent échanger des informations sur leur consommation avec des appareils électroniques compatibles. Nous vous recommandons d'utiliser une batterie « InfoLITHIUM » (série H, série P) avec les appareils électroniques portant la marque **InfoLITHIUM**.

« InfoLITHIUM » est une marque commerciale de Sony Corporation.  
**Qu'est-ce que « ActiFORCE » ?**  
« ActiFORCE » est le nom fonctionnel de la prochaine génération de systèmes d'alimentation. Les batteries « ActiFORCE » possèdent une capacité supérieure, se rechargent plus rapidement et calculent plus rapidement et plus précisément l'autonomie restante de la batterie que le système d'alimentation par batteries « InfoLITHIUM » série P existant.

« ActiFORCE » est une marque commerciale de Sony Corporation.

## AVERTISSEMENT

Afin de réduire les risques d'incendie ou de décharge électrique, n'exposez pas cet appareil à la pluie ou à l'humidité.

Pour prévenir les risques d'électrocution, ne pas ouvrir le boîtier. Ne confier l'entretien de l'appareil qu'à un technicien qualifié.

**Le cordon d'alimentation secteur doit être remplacé dans un centre de réparations agréé uniquement.**

## ATTENTION

Remplacer la pile par une pile du type spécifiée uniquement. Sinon, cela peut provoquer un incendie ou des blessures.

## PRECAUTION

L'appareil n'est pas déconnecté de la source d'alimentation secteur tant qu'il reste branché sur la prise murale, même s'il a été mis hors tension.

**Traitement des appareils électriques et électroniques en fin de vie (Applicable dans les pays de l'Union Européenne et aux autres pays européens disposant de systèmes de collecte sélective)**  
Ce symbole, apposé sur le produit ou sur son emballage, indique que ce produit ne doit pas être traité avec les déchets ménagers. Il doit être remis à un point de collecte approprié pour le recyclage des équipements électriques et électroniques. En s'assurant que ce produit est bien mis au rebut de manière appropriée, vous aiderez à prévenir les conséquences négatives potentielles pour l'environnement et la santé humaine. Le recyclage des matériaux aidera à préserver les ressources naturelles. Pour toute information supplémentaire au sujet du recyclage de ce produit, vous pouvez contacter votre municipalité, votre déchetterie ou le magasin où vous avez acheté le produit.

Une batterie est installée dans la fente 1 et la fente 2.

Si vous utilisez une batterie avec un appareil électronique ne portant pas la marque **InfoLITHIUM**, l'autonomie de la batterie n'est pas indiquée en minutes.\*  
\* Il se peut que l'indication ne soit pas précise, en fonction de l'environnement et de la situation dans lesquels l'appareil est utilisé.

## Remarques sur l'utilisation

**Cet appareil n'est pas étanche à la poussière, aux projections d'eau et à l'eau en général.**

## Remarques sur l'indicateur d'autonomie de la batterie (à lire attentivement avant utilisation)

- Pendant la charge de la batterie, cet appareil indique l'autonomie de celle-ci pour une utilisation avec votre appareil vidéo, etc. si les conditions suivantes sont remplies.
- Vous utilisez une batterie « InfoLITHIUM »
- Vous utilisez un appareil électrique portant la marque **InfoLITHIUM**. Assurez-vous que la batterie que vous utilisez porte bien la marque **InfoLITHIUM**. Consultez le mode d'emploi fourni avec votre appareil vidéo pour savoir s'il s'agit d'un appareil « InfoLITHIUM ».

Si vous utilisez une batterie avec un appareil électronique ne portant pas la marque **InfoLITHIUM**, l'autonomie de la batterie n'est pas indiquée en minutes.\*  
\* Il se peut que l'indication ne soit pas précise, en fonction de l'environnement et de la situation dans lesquels l'appareil est utilisé.

**Compensation concernant l'enregistrement**  
Aucune compensation ne sera octroyée en cas de problème d'enregistrement ou de lecture d'images, de son ou autre, suite à un problème de fonctionnement de la batterie rechargeable ou de l'adaptateur / chargeur secteur.

## Mise en charge

- Conçu pour une utilisation avec des batteries compatibles Sony.
- Ne chargez que des batteries rechargeables recommandées avec cet appareil.
- Installez la batterie rechargeable correctement.

**Température de charge**  

- Pour que l'efficacité de la batterie soit optimale, la plage de température recommandée pendant la charge est comprise entre 10 °C et 30 °C (50 °F et 86 °F).
- Cet appareil est compatible avec la charge rapide mais si la plage de température recommandée n'est pas respectée, le temps de charge sera plus long, afin de protéger la batterie. Si le temps de charge est prolongé, une charge rapide n'est plus possible, même si la température revient dans la plage de température recommandée. Remettez la batterie en place, puis rechargez-la.

## Autres

- Ne placez pas l'appareil dans un endroit :
  - extrêmement chaud ou froid
- Placer cet appareil dans des endroits soumis à la lumière directe du soleil comme sur un tableau de bord ou à proximité d'un chauffage peut entraîner sa déformation ou un dysfonctionnement.
- poussiéreux ou sale
- Dans les endroits tels qu'au bord de la mer ou dans d'autres endroits sablonneux ou dans lesquels des nuages de poussière se produisent, protégez l'appareil contre le sable et la poussière. Il y a une risque de panne.
- très humides
- soumis à des vibrations
- Chargez la batterie rechargeable sur une surface plane exempte de vibrations.
- N'utilisez pas l'appareil dans un endroit exigü, notamment entre un mur et un meuble.
- Installez la batterie rechargeable correctement.
- Le connecteur de la batterie peut être endommagé si la batterie rechargeable n'est pas placée correctement.
- Cet appareil ne doit pas être utilisé dans un endroit soumis à des radiations ou à des ondes radio fortes.
- Les caméscopes, etc. risquent de ne pas enregistrer ou lire correctement.
- Pour protéger la batterie, retirez-la de l'appareil dès que la charge est terminée.
- N'exposez pas cet appareil à des chocs mécaniques ou à des chutes.
- Eloignez cet appareil des téléviseurs et récepteurs AM. Les parasites de l'appareil risquent d'être reçus par un téléviseur ou une radio placé(e) à proximité.
- Utilisez cet appareil à proximité d'une prise murale. Ainsi, la fiche d'alimentation pourra être débranchée immédiatement de la prise murale pour couper l'alimentation en cas d'anomalie en cours d'utilisation.
- Veuillez à ce qu'aucun objet métallique ne touche les pièces métalliques de l'appareil ou la plaque de connexion. Sinon un court circuit pourrait se produire et endommager l'appareil.
- Ne raccordez pas cet appareil à un adaptateur de tension (convertisseur) pour les voyages à l'étranger. Ceci risque d'entraîner une surcharge de l'appareil ou un autre problème de fonctionnement.
- Pendant son fonctionnement, la température de cet appareil peut augmenter. Ceci est toutefois normal.
- Débranchez l'appareil de la prise murale après utilisation. Pour débrancher le cordon, tirez-le par la fiche et jamais directement par le cordon.
- Raccordez cet appareil à une prise murale disponible. Même si le voyant CHARGE de cet appareil est éteint, ce dernier n'est pas débranché de la source d'alimentation. En cas de problème lorsque l'appareil est en cours d'utilisation, débranchez-le de la prise murale pour couper l'alimentation.
- Une quantité négligeable de courant électrique circule dans l'adaptateur / chargeur secteur tant que ce dernier est branché sur la prise murale.
- En cas de non utilisation prolongée du lecteur, débranchez l'appareil de la prise murale. Pour débrancher le cordon, tirez-le par la fiche et jamais directement sur le cordon.
- N'utilisez pas l'appareil lorsque le cordon est endommagé ou si l'appareil est tombé ou a été endommagé.

- La plaque signalétique indiquant la tension de fonctionnement, la consommation électrique, etc., se trouve sous l'appareil.
- Gardez toujours les contacts métalliques bien propres.
- Né démontez pas et ne modifiez pas l'appareil.

En cas de difficulté, débranchez l'appareil et contactez votre revendeur Sony.

## Dépannage

Symptôme	Cause/Remède
L'appareil vidéo ne fonctionne pas.	<ul style="list-style-type: none"> <li>La fiche d'alimentation est débranchée de la prise murale.</li> <li>→ Raccordez-la à une prise murale.</li> <li>Le câble du connecteur n'est pas raccordé correctement.</li> <li>→ Raccordez-le correctement.</li> <li>Le sélecteur de réglage du mode est réglé sur CHARGE.</li> <li>→ Réglez le sélecteur de mode sur VCR/CAMERA.</li> </ul>
La batterie n'est pas chargée.	<ul style="list-style-type: none"> <li>Le sélecteur de réglage du mode est réglé sur VCR/CAMERA.</li> <li>→ Réglez le sélecteur de mode sur CHARGE.</li> </ul>

L'alimentation est tout de suite coupée, bien que l'autonomie de la batterie soit suffisante ou le temps restant affiché soit différent du temps réel.	<ul style="list-style-type: none"> <li>Déchargez complètement la batterie, puis rechargez-la complètement.</li> <li>→ L'autonomie de la batterie s'affichera correctement.</li> </ul>
L'affichage ne change pas.	<ul style="list-style-type: none"> <li>Reportez-vous à la section «<span> </span>Remarques sur l'indicateur d'autonomie de la batterie (à lire attentivement avant utilisation)<span> </span>».</li> </ul>

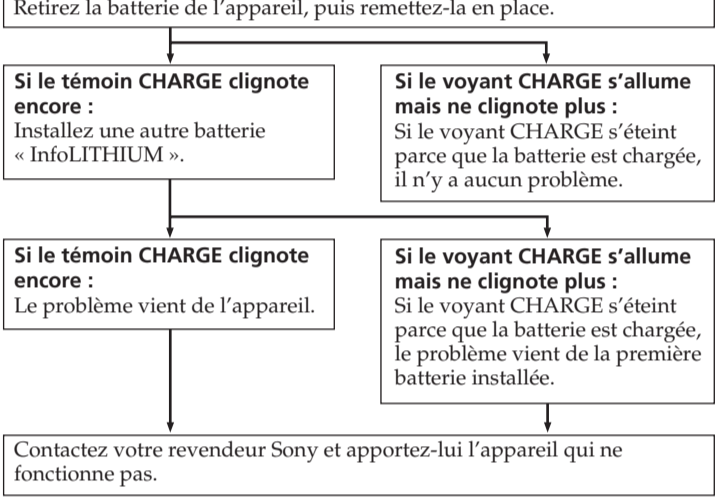
La charge rapide n'est pas effectuée.

- La température de la batterie est trop élevée ou trop basse.
- L'affichage illustré ci-dessous peut apparaître si une batterie avec une température élevée ou basse est installée ou si la charge est effectuée en dehors de la plage de température recommandée (10 °C à 30 °C (50 °F à 86 °F)). Même si la charge peut toujours être effectuée en dehors de ces températures, l'appareil bloque la charge rapide afin de protéger la batterie.



Le voyant CHARGE clignote et « WARNING » apparaît dans la fenêtre d'affichage.

- Lorsque vous chargez une batterie qui n'a pas été utilisée pendant longtemps.
- Une batterie qui n'a pas été utilisée depuis longtemps peut plus avoir l'autonomie minimale requise pour que l'appareil et la batterie se reconnaissent. Dans ce cas, retirez la batterie de l'appareil, puis chargez-la de nouveau.
- Si l'indication « WARNING » reste affichée, effectuez la vérification suivante.



## Spécifications

AC-VQH10	
Entrée	100 V – 240 V CA 50/60 Hz
Sortie	8,4 V CC 1,7 A (VCR) 8,4 V CC 2,2 A (BATT)
Température de fonctionnement	0 <span> </span> °C à +40 <span> </span> °C (+32 <span> </span> °F à +104 <span> </span> °F)
Température d'entreposage	–20 <span> </span> °C à +60 <span> </span> °C (–4 <span> </span> °F à +140 <span> </span> °F)
Dimensions (parties saillantes non comprises)	environ 100 x 67 x 111 mm (l/h/p) (4 x 2 7/8 x 4 3/8 po.)
Poids	environ 330 g (11,70 oz.)
Articles inclus	Adaptateur secteur / chargeur (AC-VQH10) ..... (1) Cordon d'alimentation secteur ..... (1) Cordon de raccordement (DK-225) ..... (1) Jeu de documents imprimés

La conception et les spécifications peuvent être modifiées sans préavis.

**Remarque**  
Ne pas raccorder cet appareil à un adaptateur de tension (convertisseur) prévu pour les voyages à l'étranger. Il pourrait chauffer et être endommagé.

## Nomenclature

<b>1</b> Fente 1	<b>Voir l'illustration A.</b>
<b>2</b> Sélecteur de réglage du mode	
<b>3</b> Touche de réglage DISPLAY (affichage)	
<b>4</b> Voyant CHARGE 1	
<b>5</b> Connecteur DC OUT	
<b>6</b> Fente 2	
<b>7</b> Voyant CHARGE 2	
<b>8</b> Fenêtre d'affichage	
<b>9</b> Témoin de fente	
<b>10</b> Indicateur « <span> </span> InfoLITHIUM <span> </span> »	
<b>11</b> Indicateur WARNING (avertissement)	
<b>12</b> Indicateur TIME TO CHG (charge)	
<b>13</b> Indicateur de durée	
<b>14</b> Indicateur BATTERY LIFE (autonomie de la batterie)	
<b>15</b> Indicateur VCR/CAMERA	
<b>16</b> Indicateur de charge complète	
<b>17</b> Indicateur d'autonomie de la batterie	

## Pour charger la batterie

Reportez-vous également au mode d'emploi de votre appareil (caméra vidéo etc.) et de la batterie.

- Réglez le sélecteur de réglage du mode sur CHARGE.
- Raccordez le cordon d'alimentation secteur ou le cordon allume-cigares à cet appareil.
- Raccordez le cordon d'alimentation secteur à une prise murale ou une douille allume-cigares. Un bip est émis et la fenêtre d'affichage est activée.
- Installez la batterie. Pour installer la batterie, reportez-vous à la section « Pour installer la batterie ». Lorsque la charge démarre, l'indicateur de la batterie dans la fenêtre d'affichage clignote dans l'ordre et le témoin de charge s'allume.
- Lorsque la charge est terminée, retirez la batterie. Il existe deux niveaux de charge : « charge normale » et « charge complète ».
  - Charge normale

Lorsque la charge est terminée, l'indicateur de la batterie s'affiche comme illustré à droite.	
Charge complète	
Si, une fois la charge normale terminée, vous continuez à charger la batterie jusqu'à ce que l'indicateur de la batterie affiche « <span> </span> FULL <span> </span> », la batterie peut être utilisée un peu plus longtemps qu'en état de charge normale.	

Pour retirer la batterie, reportez-vous à la section « Pour retirer la batterie ».

## Installation simultanée de deux batteries

Cet appareil permet d'installer deux batteries simultanément. La batterie qui se trouve dans la fente 1 est chargée en premier. Si les deux batteries sont installées une après l'autre, la charge commence par la première batterie installée, qu'elle se trouve dans la fente 1 ou 2.

## Remarque

Cet appareil ne permet pas de charger deux batteries simultanément.

## Pour installer la batterie

- Voir l'illustration B-2.
- Placez la batterie sur cet appareil avec le repère « orienté vers le connecteur.
- Faites glisser la batterie dans le sens de la flèche.
- Appuyez sur la batterie jusqu'à ce que l'obturateur de borne soit complètement introduit dans l'appareil.

## Pour retirer la batterie

Voir l'illustration B-2.

Faites glisser la batterie dans le sens de la flèche, puis tirez-la tout droit.

## Remarques

- Ne soulevez pas l'appareil en saisissant la batterie.
- Faites particulièrement soin de ne pas heurter la batterie lors de son installation, etc.
- Faites attention à ne pas vous pincer les doigts lorsque vous installez ou retirez la batterie.

## Temps de charge

Les tableaux suivants indiquent le temps de charge pour une batterie principale complètement déchargée.

**Charge rapide**

Batterie « <span> </span> InfoLITHIUM <span> </span> » série H			
	NP-FH100	NP-FH70	NP-FH50
Charge normale	125 min	60 min	55 min
Charge complète	185 min	120 min	115 min

**Batterie « InfoLITHIUM » série P**

	NP-FP90	NP-FP71	NP-FP50
Charge normale	115 min	80 min	65 min
Charge complète	175 min	140 min	125 min

- Le temps de charge peut varier selon l'état de la batterie ou la température ambiante.
- Les temps indiqués correspondent à la charge d'une batterie vide déchargée avec une caméra vidéo etc., à l'aide de cet appareil à une température ambiante de 25 °C (77 °F).

## Utilisation rapide de la batterie

Si nécessaire, vous pouvez retirer la batterie et l'utiliser avant la fin de la charge. Toutefois, l'autonomie disponible varie selon le temps de charge.

## Temps de charge et « 10 minutes de charge/65 minutes d'enregistrement (environ) »

Les temps indiqués correspondent aux durées d'enregistrement continu à une température ambiante de 25 °C (77 °F) avec une batterie rechargeable NP-FH70 (non fournie) et un caméscope d'une puissance de 1,8 W utilisé sans son écran LCD.

Lorsque vous utilisez une batterie immédiatement après l'avoir déchargée avec un caméscope. Sauf pour une batterie qui s'est détériorée, par exemple en cas d'inutilisation prolongée. On distingue deux types de charge, la charge normale et la charge complète. L'augmentation approximative de 25 % par rapport aux produits existants correspond à l'augmentation du temps de charge complet comparée à notre adaptateur / chargeur AC-VQ10 existant.

En général, le temps de charge et la durée d'enregistrement disponibles dépendent de la batterie et des conditions d'utilisation.

**Remarques**  

- Si le sélecteur de réglage du mode est réglé sur VCR/CAMERA pendant la charge, celle-ci s'arrête.
- Si le voyant CHARGE ne s'allume pas ou clignote, vérifiez que la batterie est installée correctement sur l'adaptateur secteur / chargeur. Si elle n'est pas installée correctement, elle ne charge pas.
- En cas de problème pendant la mise en charge, le voyant de charge clignote et « WARNING » apparaît dans la fenêtre d'affichage. Pour plus de détails, reportez-vous à la section « Dépannage ».

## Pour vérifier la charge

Voir l'illustration C.

Pendant la mise en charge, vous pouvez vérifier le temps de charge sur la fenêtre d'affichage. Lorsque la charge démarre, le voyant BATTERY LIFE s'allume dans la fenêtre d'affichage. L'autonomie indiquée correspond à l'autonomie restante approximative lorsque vous prenez des photos avec le viseur. L'autonomie est plus courte si vous utilisez l'écran LCD. Il est possible que l'autonomie de la batterie ne s'affiche pas avec certains appareils vidéo. Pour plus de détails, reportez-vous à la section « Remarques sur l'indicateur d'autonomie de la batterie (à lire attentivement avant utilisation) ».

**Appuyez sur DISPLAY pendant la mise en charge.**

Pendant la charge, le contenu de la fenêtre d'affichage change chaque fois que vous appuyez sur la touche DISPLAY. Le témoin de fente indique le numéro de la fente correspondant aux informations sur la batterie affichées. Lorsque deux batteries sont installées simultanément, l'indication de la batterie qui n'est pas chargée est automatiquement remplacée par l'indication du temps de la batterie chargée dans les 10 secondes qui suivent.

L'exemple suivant montre l'installation d'une batterie dans la fente 1 puis d'une autre batterie dans la fente 2. Le témoin de fente correspond au numéro de fente.

- Autonomie si la première batterie installée est placée dans votre appareil électronique « InfoLITHIUM ».
- Temps restant jusqu'à la fin d'une charge normale de la première batterie installée. Le temps de charge normal n'est pas affiché lorsque la charge est terminée.
- Temps restant jusqu'à la fin d'une charge complète de la première batterie installée. Le temps de charge complète n'est pas affiché lorsque la charge complète est terminée.
- Autonomie de la batterie si la dernière batterie installée est placée dans votre appareil électronique « InfoLITHIUM ».
- Temps restant jusqu'à la fin d'une charge normale de la dernière batterie installée. Le temps de charge normale n'est pas affiché lorsque la charge est terminée.
- Temps restant jusqu'à la fin d'une charge complète de la dernière batterie installée. Le temps de charge complète n'est pas affiché lorsque la charge complète est terminée.

**Remarques**  

- Le temps indiqué est approximatif lorsque la mise en charge est effectuée à 25 °C (77 °F). Il peut varier par rapport au temps de charge réel selon l'environnement d'utilisation.
- L'affichage du temps de la batterie non chargée peut prendre un moment.
- « -- » peut apparaître dans la fenêtre d'affichage dans les cas suivants.

- Il ne s'agit pas d'un problème de fonctionnement.
  - Il y a une différence entre le temps affiché et le temps de charge réel. Continuez quand même la mise en charge si cela se produit.
  - Si vous chargez une batterie autre qu'une batterie « InfoLITHIUM » (l'affichage de l'autonomie ainsi que d'autres fonctions ne sont pas disponibles).
- Une charge complète prend environ une heure après la fin de la charge normale. Si vous retirez la batterie entre la charge normale et la charge complète, le temps de charge risque de ne pas être indiqué correctement lors de la mise en charge suivante.
- Lorsque vous chargez une batterie qui n'a pas été utilisée depuis longtemps, l'autonomie indiquée et le temps de charge complète peuvent être inexacts. Il ne s'agit pas d'un problème de fonctionnement. Dans ce cas, chargez de nouveau la batterie. Les temps seront alors affichés correctement.
- Si vous installez une batterie entièrement chargée sur cet appareil, « TIME TO CHG FULL 1h » peut apparaître dans la fenêtre d'affichage. Il ne s'agit pas d'un problème de fonctionnement.
- L'affichage du temps peut prendre un moment après avoir appuyé sur DISPLAY.
- Pour afficher l'autonomie d'une nouvelle batterie, installez-la d'abord dans votre caméscope, utilisez-le pendant environ 20 secondes, puis chargez la batterie avec cet appareil.
- Il faut attendre un moment pour que le temps de la batterie qui n'est pas chargée soit indiqué. En outre, dans certains cas, le temps n'est pas indiqué du tout en raison de l'état de la batterie. Il ne s'agit absolument pas d'un problème de fonctionnement.
- Dans les cas suivants, le temps affiché peut être légèrement décalé :
  - Toutefois, ceci n'a rien d'anormal.
  - Si vous retirez la batterie de cet appareil à la fin d'une mise en charge normale mais avant la fin d'une charge complète. (Une charge complète prend environ une heure à partir du moment où la charge normale est terminée.)
  - Lorsque vous chargez une batterie qui n'a pas été utilisée pendant longtemps. (Chargez-la d'abord complètement.)
  - Lors de la charge d'une batterie « InfoLITHIUM » série P, l'indicateur apparaît dans la fenêtre d'affichage environ une minute après l'installation de la batterie.

## Pour utiliser un appareil vidéo

Voir l'illustration D.

Pour plus d'informations sur le raccordement, reportez-vous au mode d'emploi de l'appareil vidéo.

- Réglez le sélecteur de réglage du mode sur VCR/CAMERA.
- Raccordez le cordon d'alimentation secteur à cet appareil.
- Raccordez le cordon d'alimentation secteur à une prise murale. Un bip est émis et la fenêtre d'affichage est activée.
- Raccordez le cordon de raccordement au connecteur DC OUT de cet appareil.
- Raccordez le cordon de raccordement à l'appareil vidéo. Pour plus de détails sur le sens d'insertion du cordon de raccordement, reportez-vous au mode d'emploi fourni avec le caméscope, etc.

**Remarques**  

- Si vous réglez le sélecteur de réglage du mode sur CHARGE pendant l'utilisation de l'appareil vidéo, l'alimentation de ce dernier est coupée.
- Vous ne pouvez pas charger une batterie lorsqu'elle est installée sur cet appareil en mode VCR/CAMERA.
- Eloignez cet appareil de votre appareil vidéo s'il perturbe l'image.
- Il est possible que le cordon de raccordement fourni avec cet appareil ne puisse pas être utilisé avec votre caméscope. Dans ce cas, utilisez le cordon de raccordement fourni avec votre caméscope.
- L'exemple de l'illustration représente le raccordement à un caméscope vidéo HD numérique HDR-UX7.

## Free Manuals Download Website

<http://myh66.com>

<http://usermanuals.us>

<http://www.somanuals.com>

<http://www.4manuals.cc>

<http://www.manual-lib.com>

<http://www.404manual.com>

<http://www.luxmanual.com>

<http://aubethermostatmanual.com>

Golf course search by state

<http://golfingnear.com>

Email search by domain

<http://emailbydomain.com>

Auto manuals search

<http://auto.somanuals.com>

TV manuals search

<http://tv.somanuals.com>