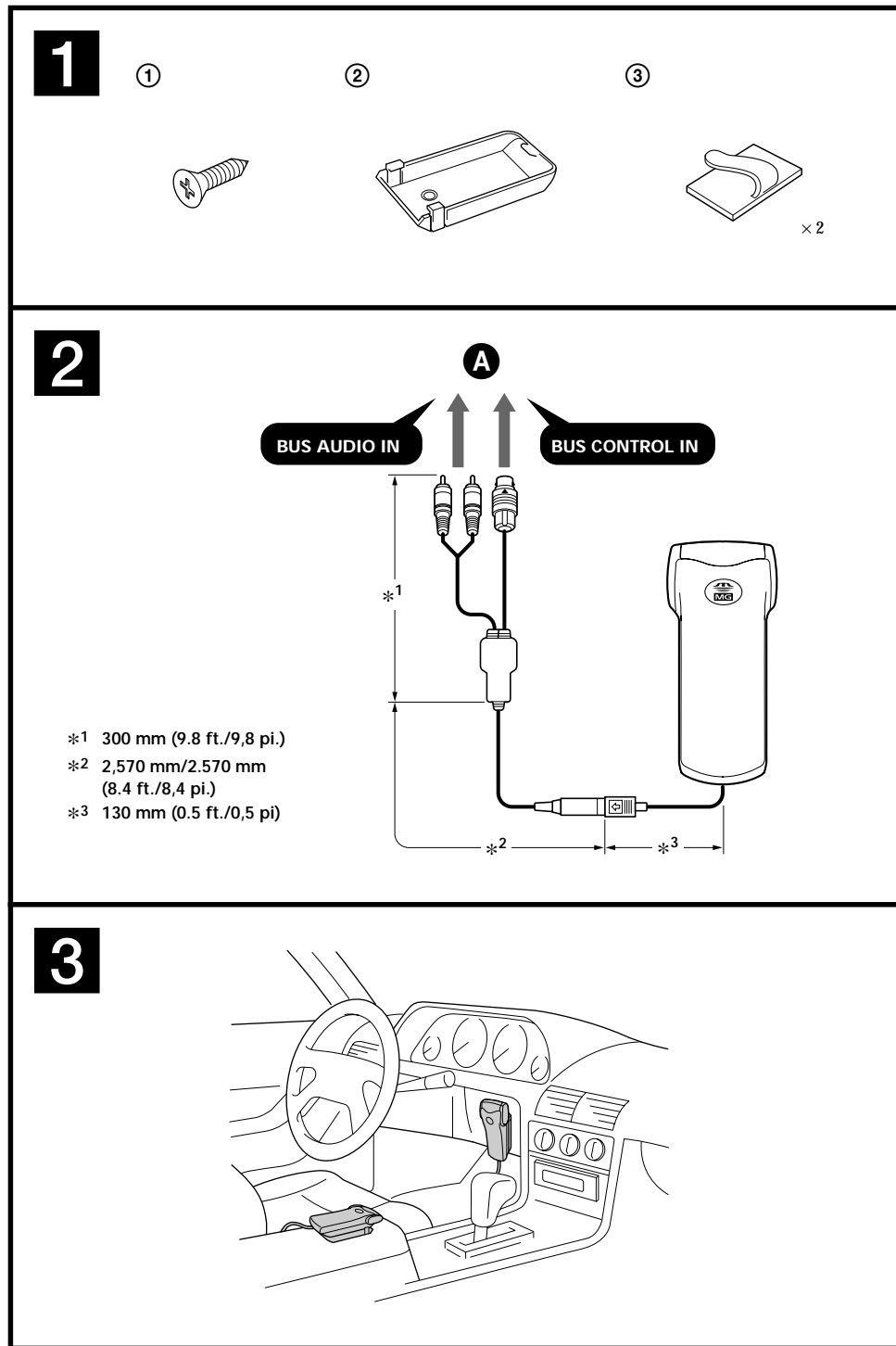


MG Memory Stick System-up Player

Installation/Connections
 Installation/Connexions
 Instalación/Conexiones
 Installation/Anschluß
 Montage/Aansluitingen
 Installazione/Collegamenti

MGS-X1

Sony Corporation © 2001 Printed in Japan



Parts list (1)

The numbers in the list are keyed to those in the instructions.

Connection (2)

For details, refer to the Installation/Connections manual of each product. For specifications of optional accessories, consult your dealer.

- ➊ To the car audio (the master unit) or the source selector compatible with the Sony Bus.

Notes

- You can only connect one MGS-X1 to the source selector (optional).
- Be sure to insert each connector securely, as vibration through driving may cause a poor connection.
- To connect this unit to the CD/MD changer, the source selector XA-C30 (optional) is necessary.

Mounting example (3)

Installing the unit in the centre console etc. for easy operation.

Liste des composants (1)

Les numéros de la liste correspondent à ceux des instructions.

Connection (2)

Pour plus de détails, consulter le manuel d'installation/connexions de chaque produit. ##<FR-1>##

- ➊ Vers le système audio voiture (appareil principal) compatible avec le bus Sony ou le sélecteur de source.

Remarques

- ##<FR-2>##
- ##
- ##

Exemple de montage (3)

##<FR-3>##

Lista de componentes (1)

Los números de la lista corresponden a los de las instrucciones.

Connection (2)

Con respecto a los detalles, consulte el manual de instalación/conexiones de cada producto. ##<ES-1>##

- ➊ Al sistema de audio del automóvil (unidad principal) compatible con el Bus de Sony o con el selector de fuente.

Notas

- ##<ES-2>##
- ##
- ##

Ejemplo de montaje (3)

##<ES-3>##

Teilleiste (1)

Die Nummern in der Liste sind dieselben wie im Erläuterungstext.

Connection (2)

Einzelheiten entnehmen Sie der Installations-/Anschlußanleitung des betreffenden Geräts. ##<DE-1>##

- ➊ an Autoanlage (Hauptgerät), die mit dem Sony-Bus oder dem Signalquellenwähler kompatibel ist.

Hinweis

- ##<DE-2>##
- ##
- ##

Anschlußbeispiel (3)

##<DE-3>##

Onderdelenlijst (1)

De nummers in de afbeelding verwijzen naar die in de montage-aanwijzingen.

Connection (2)

Zie voor nadere bijzonderheden de gebruiksaanwijzing voor installatie en aansluitingen van de aan te sluiten apparatuur. ##<NL-1>##

- ➊ Op het car audiosysteem (hoofdtoestel) dat compatibel is met Sony Bus of de bronkeuzeschakelaar

Opmerkingen

- ##<NL-2>##
- ##
- ##

Voorbeeldaansluitingen (3)

##<NL-3>##

Elenco dei componenti (1)

I numeri nell'elenco corrispondono a quelli riportati nelle istruzioni.

Connection (2)

Per i dettagli, fare riferimento al manuale di installazione/collegamenti dell'autoradio. ##<IT-1>##

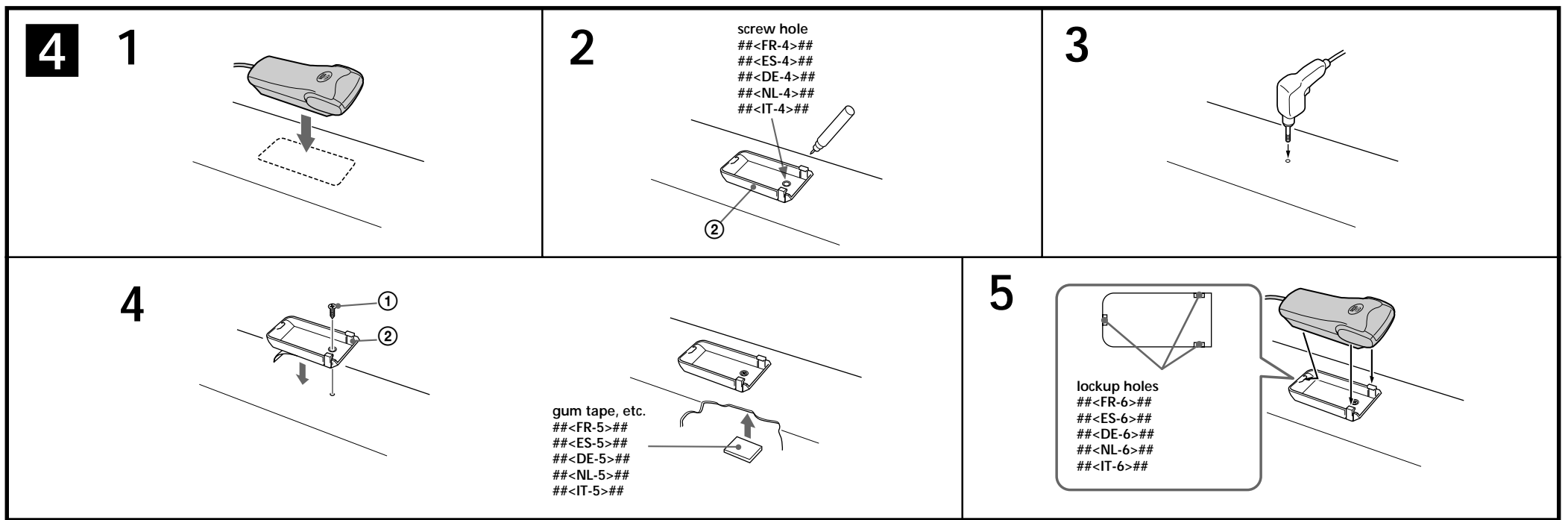
- ➊ All'autoradio (unità principale) compatibile con bus Sony o con il selettore di sorgente.

Notas

- ##<IT-2>##
- ##
- ##

Esempi di collegamento (3)

##<IT-3>##



Precautions

- Choose the mounting location carefully, observing the following:
 - Do not install the unit where;
 - it will interfere with normal driving operations.
 - it will injure driver or passengers.
 - the ambient temperature exceeds 55 °C (131 F°).
 - it will be exposed to direct sunlight or hot air from a heater.
 - it will be exposed to rain, water, or high humidity.
 - it will be exposed to a lot of dust.
 - it will become magnetized.
 - it will be subject to excessive vibration.
 - there are wire harnesses or pipelines under the place.
 - it will jam any working parts of the car.
 - it will get the wires under a screw, or caught in moving parts.
- Use only the supplied mounting hardware for a safe and secure installation.
- If the unit is installed at an angle, when inserting and removing the “MG Memory stick,” take care not to drop it.

Installation (4)

- 1 Deciding installation position, and cleaning the installation area.
Clean the installation area of any dirt or oil before applying installed tape on the holder ② (see above illustration 4-4).
Note
Be sure nothing obstructs the handle, lever, etc.
- 2 Mark the position of screw holes in the installation position.
Use the screw hole of the holder ② as a template.
- 3 Make a hole of 2 mm at the marked position.
- 4 Warm up the surface of the installation position and installed tape on the holder ② to between 20 °C and 30 °C. Adjust the holder to the desired position, press down firmly, and install the supplied screw ①.
After installing the screw, cover the protruding end of the screw to avoid damage to cords. Gum tape may be used for this purpose.
- 5 To install, align the 3 lockup holes on the bottom of the unit with the 3 holder catches.
Secure the long cord with the supplied cord clamp ③ so that it does not interfere with driving. Take extra care that the cord does not become twisted around the gear lever as an accident may occur.

Précautions

- ##<FR-7>##

Installation (4)

##<FR-8>##

Precauciones

- ##<ES-7>##

Instalación (4)

##<ES-8>##

Vorsichtsmaßnahmen

- ##<DE-7>##

Installation (4)

##<DE-8>##

Voorzorgsmaatregelen

- ##<NL-7>##

Installeren (4)

##<NL-8>##

Precauzioni

- ##<IT-7>##

Installazione (4)

##<IT-8>##

Free Manuals Download Website

<http://myh66.com>

<http://usermanuals.us>

<http://www.somanuals.com>

<http://www.4manuals.cc>

<http://www.manual-lib.com>

<http://www.404manual.com>

<http://www.luxmanual.com>

<http://aubethermostatmanual.com>

Golf course search by state

<http://golfingnear.com>

Email search by domain

<http://emailbydomain.com>

Auto manuals search

<http://auto.somanuals.com>

TV manuals search

<http://tv.somanuals.com>