

OUTDOOR HOUSING MOUNTING BRACKET

Installation and Operation Instructions for the following models:

UNI-PMA1, SNCAPM3

- (1) Supplied Parts
 - (1) Mount bracket
 - (4) Hex head bolts (3/8" - 16 x 1")
 - (4) Lockwasher (3/8")
 - (4) Flat washers (3/8")

UNI-CMA1, SNCACA2

- (1) Supplied Parts
 - (1) Wall mount bracket
 - (4) Hex head bolts (3/8" - 16 x 1")
 - (4) Lockwasher (3/8")
 - (4) Flat washers (3/8")

- (1) Operation Instruction Manual

PRECAUTIONS ON INSTALLATION

- 1 Both the pole mount adapter and the corner mount adapter are designed for outdoor use in conjunction with a wall mount bracket.
- 2 The combined weight of camera, lens, housing, pan/tilt, and the wall mount bracket must not exceed 75 lbs. (34 kg).
- 3 Select a location where the combined weight of the bracket, housing, pan/tilt and the wall mount bracket can be properly supported.

INSTALLING THE POLE MOUNT ADAPTER

(UNI-PMA1 or SNCAPM3)

GENERAL INSTRUCTIONS:

Tools Required: .100" Flat Head Screwdriver
Phillips Head Screwdriver

- 1 Mount the bracket assembly to the pole using metal straps (not provided). Place the straps through the slots on the UNI-PMA1 or SNCAPM3 and then around the pole. Tighten straps.
- 2 Combine the wall mount bracket with the pole mount adapter and securely attach the four hex head bolts, lock washers, and flat washers provided into the 3/8" inserts on the adapter.

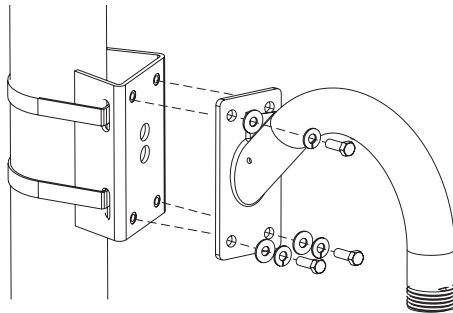
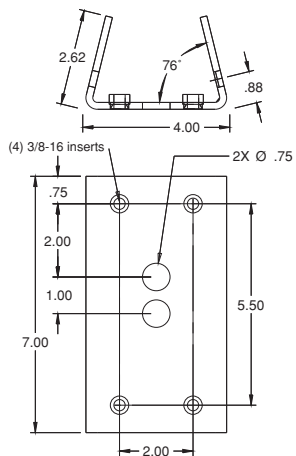


Figure 1



UNI-PMA1/SNCAPM3 Dimensions

INSTALLING THE CORNER MOUNT ADAPTER

(UNI-CMA1 or SNCACA2)

- 1 Mount the bracket assembly to the selected corner location using appropriate hardware (not provided).
- 2 Combine the wall mount bracket with the corner mount adapter and securely attach the four hex head bolts, lock washers, and flat washers provided into the 3/8" inserts on the adapter.

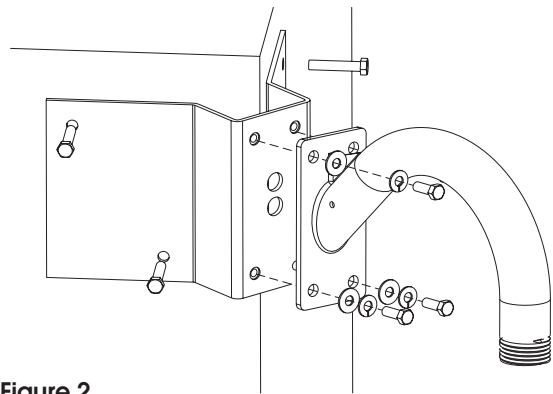
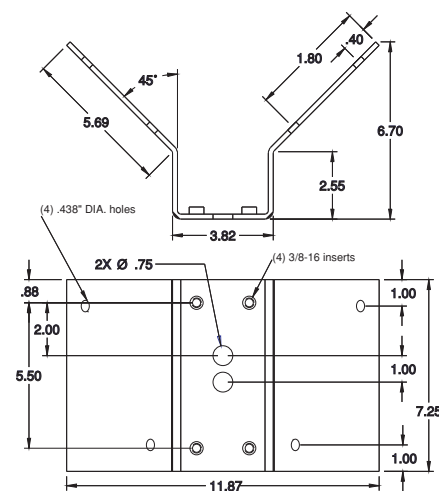


Figure 2



UNI-CMA1/SNCACA2 Dimensions

IMPORTANT SAFEGUARDS

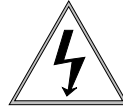
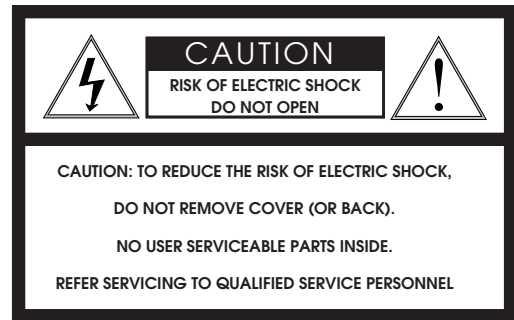
- 1 Read Instructions - All the safety and operating instructions should be read before the unit is operated.
- 2 Retain Instructions - The safety and operating instructions should be retained for future reference.
- 3 Heed Warnings - All warnings on the unit and in the operating instructions should be adhered to.
- 4 Follow Instructions - All operating and user instructions should be followed.
- 5 Electrical Connections - Only a qualified electrician should make electrical connections..
- 6 Attachments - Do not use attachments not recommended by the product manufacturer as they may cause hazards.
- 7 Cable Runs - All cable runs must be within permissible distance
- 8 Mounting - This unit must be properly and securely mounted to a supporting structure capable of sustaining the weight of the unit.

Accordingly:

- a. The installation should be made by a qualified installer.
- b. The installation should be in compliance with local codes.
- c. Care should be exercised to select suitable hardware to install the unit, taking into account both the composition of the mounting surface and the weight of the unit.

Be sure to periodically examine the unit and the supporting structure to make sure that the integrity of the installation is intact. Failure to comply with the foregoing could result in the unit separating from the support structure and falling, with resultant damages or injury to anyone or anything struck by the falling unit.

SAFETY PRECAUTIONS



The lightning flash with an arrowhead symbol, within an equilateral triangle, is intended to alert the user to the presence of non-insulated "dangerous voltage" within the product's enclosure that may be of sufficient magnitude to constitute a risk of electric shock to persons.



The exclamation point within an equilateral triangle is intended to alert the user to presence of important operating and maintenance (servicing) instructions in the literature accompanying the appliance.

UNPACKING

Unpack carefully. Electronic components can be damaged if improperly handled or dropped. If an item appears to have been damaged in shipment, replace it properly in its carton and notify the shipper.

Be sure to save:

- 1 The shipping carton and packaging material. They are the safest material in which to make future shipments of the equipment.
- 2 These Installation and Operating Instructions.

SERVICE

If technical support or service is needed, contact Sony at the following number:

TECHNICAL SUPPORT
8:15AM to 7:30PM (Eastern Time)
1-800-883-6817

CAUTION

This unit must be properly and securely mounted to a supporting structure capable of sustaining the weight of the bracket and camera assembly. Accordingly,

1. The installation should be made by a qualified installer.
2. The installation should be in compliance with local codes.
3. Care should be exercised to select suitable hardware to install the unit, taking into account both the composition of the mounting surface and the weight the hardware will be required to sustain.

Be sure to periodically examine the unit and the supporting structure to make sure that the integrity of the installation is intact.

Failure to comply with the foregoing could result in the unit coming loose from the support structure and falling, with resultant damages or injury to anyone or anything struck by the falling unit.

Free Manuals Download Website

<http://myh66.com>

<http://usermanuals.us>

<http://www.somanuals.com>

<http://www.4manuals.cc>

<http://www.manual-lib.com>

<http://www.404manual.com>

<http://www.luxmanual.com>

<http://aubethermostatmanual.com>

Golf course search by state

<http://golfingnear.com>

Email search by domain

<http://emailbydomain.com>

Auto manuals search

<http://auto.somanuals.com>

TV manuals search

<http://tv.somanuals.com>