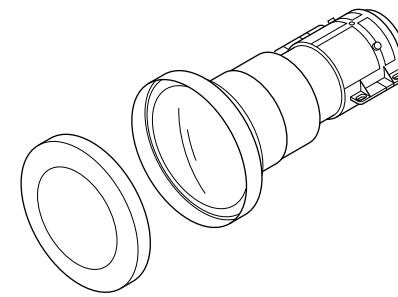
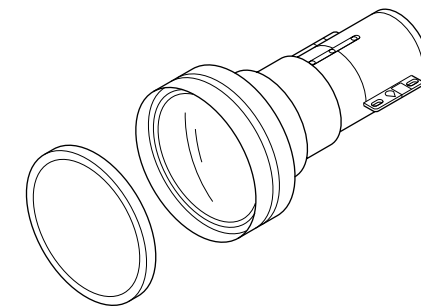


SERVICE MANUAL

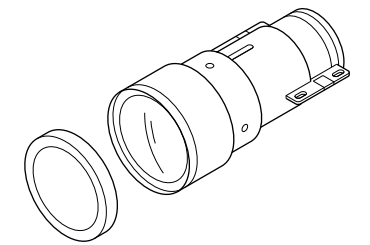
<u>MODEL</u>	<u>DEST.</u>
VPLL-FM21	WORLD
VPLL-ZM31	WORLD
VPLL-ZM101	WORLD



VPLL-FM21



VPLL-ZM31



VPLL-ZM101

WARNING

This manual is intended for qualified service personnel only.

To reduce the risk of electric shock, fire or injury, do not perform any servicing other than that contained in the operating instructions unless you are qualified to do so. Refer all servicing to qualified service personnel.

WARNUNG

Die Anleitung ist nur für qualifiziertes Fachpersonal bestimmt.

Alle Wartungsarbeiten dürfen nur von qualifiziertem Fachpersonal ausgeführt werden. Um die Gefahr eines elektrischen Schlages, Feuergefahr und Verletzungen zu vermeiden, sind bei Wartungsarbeiten strikt die Angaben in der Anleitung zu befolgen. Andere als die angegebenen Wartungsarbeiten dürfen nur von Personen ausgeführt werden, die eine spezielle Befähigung dazu besitzen.

AVERTISSEMENT

Ce manuel est destiné uniquement aux personnes compétentes en charge de l'entretien. Afin de réduire les risques de décharge électrique, d'incendie ou de blessure n'effectuer que les réparations indiquées dans le mode d'emploi à moins d'être qualifié pour en effectuer d'autres. Pour toute réparation faire appel à une personne compétente uniquement.

SONY[®]

3-868-232-01 (1)

Projection Lens

Operating Instructions
Mode d'emploi
Bedienungsanleitung

Manual de instrucciones
Istruzioni per l'uso
使用说明书

VPLL-FM21

Sony Corporation © 1999 Printed in Japan

Sony  line <http://www.world.sony.com/>

Printed on recycled paper

1-1. VPLL-FM21

Section 1 Operating Instructions

English

The VPLL-FM21 Projection Lens is a fixed short focus zoom lens designed for use with the Sony VPL-PX20/PX30, etc LCD Data Projector.

About lens attachment

Attaching the lens may cause fire or injury to the person. Users should request qualified Sony representative to attach the lens.

Notes on lens attachment

- Lenses scratch easily. When handling lenses, always place them gently on a stable, level surface in a horizontal position.
- Avoid touching the lens surface.

Specifications

Fixed short focus zoom lens	F=2.0 f=24.5 mmlens (³¹ / ₃₂ inches)
Projection picture size	Manual focus 40 to 300 inches
Throwing distance (when using VPL-PX20/PX30)	100 inches: 1800 mm (70 ⁷ / ₈ inches) 200 inches: 3690 mm (145 ³ / ₈ inches) 300 inches: 5580 mm (219 ³ / ₄ inches)
Dimensions	140 × 140 × 233 mm (5 ⁵ / ₈ × 5 ⁵ / ₈ × 9 ¹ / ₄ inches) (w/h/d)
Mass	1850 g (4 lb 1 oz)
Supplied accessories	Operating Instructions (1)

Design and specifications are subject to change without notice.

This section is extracted
from operation manual.

Projection Lens

Operating Instructions
Mode d'emploi
Bedienungsanleitung

Manual de instrucciones
Istruzioni per l'uso
使用说明书

VPLL-ZM31

Sony Corporation © 1999 Printed in Japan

Sony  line <http://www.world.sony.com/>

Printed on recycled paper

English

The VPLL-ZM31 Projection Lens is a short focus zoom lens designed for use with the Sony VPL-PX20/PX30, etc LCD Data Projector.

About lens attachment

Attaching the lens may cause fire or injury to the person. Users should request qualified Sony representative to attach the lens.

Notes on lens attachment

- Lenses scratch easily. When handling lenses, always place them gently on a stable, level surface in a horizontal position.
- Avoid touching the lens surface.

Specifications

Short focus zoom lens	F=1.9 f=41.4 to 45.6 mm (1 ¹¹ / ₁₆ to 1 ¹³ / ₁₆ inches) Manual focus/zoom
Projection picture size	40 to 300 inches
Throwing distance (when using VPL-PX20/ PX30)	100 inches: 3150 to 3300 mm (124 ¹ / ₈ to 130 inches) 200 inches: 6410 to 6710 mm (252 ³ / ₈ to 264 ¹ / ₄ inches) 300 inches: 9680 to 10120 mm (381 ¹ / ₈ to 398 ¹ / ₂ inches)
Dimensions	154 × 154 × 252 mm (6 ¹ / ₈ × 6 ¹ / ₈ × 10 inches) (w/h/d) Length: 252 mm (10 inches)
Mass	3140 g (6 lb 15 oz)
Supplied accessories	Operating Instructions (1)

Design and specifications are subject to change without notice.

SONY[®]

3-868-229-01 (1)

Projection Lens

Operating Instructions
Mode d'emploi
Bedienungsanleitung

Manual de instrucciones
Istruzioni per l'uso
使用说明书

VPLL-ZM101

Sony Corporation © 1999 Printed in Japan

Sony  line <http://www.world.sony.com/>

Printed on recycled paper

English

The VPLL-ZM101 Projection Lens is a long focus zoom lens designed for use with the Sony VPL-PX20/PX30, etc LCD Data Projector.

About lens attachment

Attaching the lens may cause fire or injury to the person. Users should request qualified Sony representative to attach the lens.

Notes on lens attachment

- Lenses scratch easily. When handling lenses, always place them gently on a stable, level surface in a horizontal position.
- Avoid touching the lens surface.

Specifications

Long focus zoom lens	F=2.0 f=89.0 to 133.5 mm (3 ⁵ / ₈ to 5 ³ / ₈ inches) Manual focus/zoom
Projection picture size	40 to 300 inches
Throwing distance (when using VPL-PX20/ PX30)	100 inches: 6810 to 10030 mm (268 ¹ / ₈ to 395 inches) 200 inches: 13840 to 20270 mm (545 to 798 ¹ / ₈ inches) 300 inches: 20870 to 30500 mm (821 ³ / ₄ to 1200 ⁷ / ₈ inches)
Dimensions	Diameter: ø 100 mm (4 inches) Length: 221.9 mm (8 ³ / ₄ inches)
Mass	1810 g (3 lb 16 oz)
Supplied accessories	Operating Instructions (1)

Design and specifications are subject to change without notice.

Section 2

Parts List

- Due to standardization, replacements in the parts list may be different from the parts specified in the diagrams or the components used on the set.

Ref.No.	Part No.	Description	Remark
	3-868-232-01	OPERATING INSTRUCTIONS (FM21) (JAPANESE / ENGLISH / FRENCH / SPANISH / GERMAN / ITALIAN / CHINESE)	
	3-868-230-01	OPERATING INSTRUCTIONS (ZM31) (JAPANESE / ENGLISH / FRENCH / SPANISH / GERMAN / ITALIAN / CHINESE)	
	3-868-229-01	OPERATING INSTRUCTIONS (ZM101) (JAPANESE / ENGLISH / FRENCH / SPANISH / GERMAN / ITALIAN / CHINESE)	
	4-075-026-01	CAP, LENS (FM21)	
	4-074-908-01	CAP, LENS (ZM31)	
	4-074-403-01	CAP, LENS (ZM101)	

Free Manuals Download Website

<http://myh66.com>

<http://usermanuals.us>

<http://www.somanuals.com>

<http://www.4manuals.cc>

<http://www.manual-lib.com>

<http://www.404manual.com>

<http://www.luxmanual.com>

<http://aubethermostatmanual.com>

Golf course search by state

<http://golfingnear.com>

Email search by domain

<http://emailbydomain.com>

Auto manuals search

<http://auto.somanuals.com>

TV manuals search

<http://tv.somanuals.com>