

CDX-GT21W/GT210/ GT260/GT260S

SERVICE MANUAL

Ver. 1.2 2007.03

US Model
Canadian Model
CDX-GT21W/GT210
E Model
CDX-GT260/GT260S
Chinese Model
CDX-GT260



- The tuner and CD sections have no adjustments.

AUDIO POWER SPECIFICATIONS (US, CND MODEL)
POWER OUTPUT AND TOTAL HARMONIC DISTORTION
23 watts per channel minimum continuous average power into 4 ohms, 4 channels driven from 20 Hz to 20 kHz with no more than 5% total harmonic distortion.

Model Name Using Similar Mechanism	CDX-GT11W/GT110/ GT160/GT160S
CD Drive Mechanism Type	MG-101TA-188//Q
Optical Pick-up Name	DAX-25A

SPECIFICATIONS

CD player section

Signal-to-noise ratio 95 dB
Frequency response 10 – 20,000 Hz
Wow and flutter Below measurable limit

Tuner section

FM

Tuning range 87.5 – 107.9 MHz (US, CND model)
87.5 – 108 MHz (at 50 kHz step) (E, CH model)
87.5 – 107.9 MHz (at 200 kHz step) (E, CH model)
FM tuning interval 50 kHz/200 kHz switchable (E, CH model)
Antenna terminal External antenna connector
Intermediate frequency 10.7 MHz/450 kHz
Usable sensitivity 9 dBf
Selectivity 75 dB at 400 kHz
Signal-to-noise ratio 67 dB (stereo), 69 dB (mono)
Harmonic distortion at 1 kHz 0.5% (stereo), 0.3% (mono)
Separation 35 dB at 1 kHz
Frequency response 30 – 15,000 Hz

AM/MW

Tuning range 530 – 1,710 kHz (US, CND model)
531 – 1,602 kHz (at 9 kHz step) (E, CH model)
530 – 1,710 kHz (at 10 kHz step) (E, CH model)
AM tuning interval 9 kHz/10 kHz switchable (E, CH model)
Antenna terminal External antenna connector
Intermediate frequency 10.7 MHz/450 kHz
Sensitivity 30 μ V

SW (E, CH model)

Tuning range SW1: 2,940 – 7,735 kHz
SW2: 9,500 – 18,135 kHz
(except for 10,140 – 11,575 kHz)
Antenna (aerial) terminal External antenna (aerial) connector
Intermediate frequency 10.7 MHz/450 kHz
Sensitivity 30 μ V

– Continued on next page –

FM/AM COMPACT DISC PLAYER
CDX-GT21W/GT210

FM/MW/SW COMPACT DISC PLAYER
CDX-GT260/GT260S

9-887-375-03
2007C04-1
© 2007.03

Sony Corporation
eVehicle Division
Published by Sony Techno Create Corporation

SONY®

CDX-GT21W/GT210/GT260/GT260S

Power amplifier section

Outputs	Speaker outputs (sure seal connectors)
Speaker impedance	4 – 8 ohms
Maximum power output	50 W × 4 (at 4 ohms)

General

Output	Power antenna (aerial) relay control terminal
Inputs	Antenna (aerial) input terminal AUX input jack (stereo mini jack)
Tone controls	Low: ±10 dB at 100 Hz High: ±10 dB at 10 kHz
Loudness	+9 dB at 100 Hz +5 dB at 10 kHz
Power requirements	12 V DC car battery (negative ground)
Dimensions	Approx. 178 × 50 × 179 mm (7 1/8 × 2 × 7 1/8 in.) (w/h/d)
Mounting dimensions	Approx. 182 × 53 × 162 mm (7 1/4 × 2 1/8 × 6 1/2 in.) (w/h/d)
Mass	Approx. 1.2 kg (2 lb. 11 oz.)
Supplied accessories	Parts for installation and connections (1 set)

Design and specifications are subject to change without notice.

- Abbreviation
CND : Canadian model
CH : Chinese model

SERVICE NOTES

NOTES ON HANDLING THE OPTICAL PICK-UP BLOCK OR BASE UNIT

The laser diode in the optical pick-up block may suffer electrostatic breakdown because of the potential difference generated by the charged electrostatic load, etc. on clothing and the human body. During repair, pay attention to electrostatic breakdown and also use the procedure in the printed matter which is included in the repair parts. The flexible board is easily damaged and should be handled with care.

NOTES ON LASER DIODE EMISSION CHECK

The laser beam on this model is concentrated so as to be focused on the disc reflective surface by the objective lens in the optical pick-up block. Therefore, when checking the laser diode emission, observe from more than 30 cm away from the objective lens.

Notes on Chip Component Replacement

- Never reuse a disconnected chip component.
- Notice that the minus side of a tantalum capacitor may be damaged by heat.

TEST DISCS

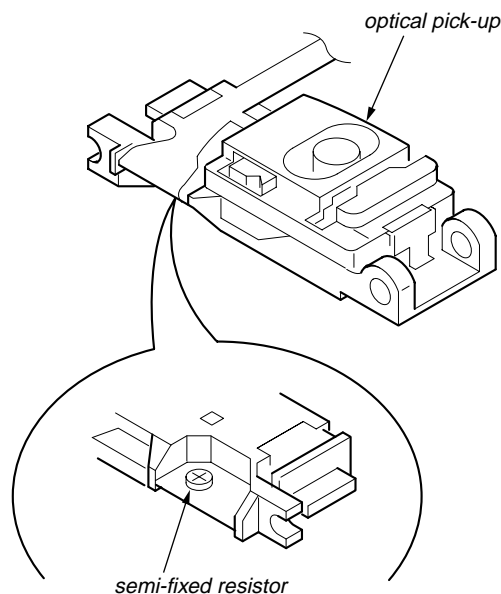
Please use the following test discs for the check on the CD section.

YDES-18 (Part No. 3-702-101-01)
PATD-012 (Part No. 4-225-203-01)

CAUTION

Use of controls or adjustments or performance of procedures other than those specified herein may result in hazardous radiation exposure.

If the optical pick-up block is defective, please replace the whole optical pick-up block. Never turn the semi-fixed resistor located at the side of optical pick-up block.



SAFETY-RELATED COMPONENT WARNING!!







COMPONENTS IDENTIFIED BY MARK \triangle OR DOTTED LINE WITH MARK \triangle ON THE SCHEMATIC DIAGRAMS AND IN THE PARTS LIST ARE CRITICAL TO SAFE OPERATION. REPLACE THESE COMPONENTS WITH SONY PARTS WHOSE PART NUMBERS APPEAR AS SHOWN IN THIS MANUAL OR IN SUPPLEMENTS PUBLISHED BY SONY.

ATTENTION AU COMPOSANT AYANT RAPPORT À LA SÉCURITÉ!!

LES COMPOSANTS IDENTIFIÉS PAR UNE MARQUE \triangle SUR LES DIAGRAMMES SCHÉMATIQUES ET LA LISTE DES PIÈCES SONT CRITIQUES POUR LA SÉCURITÉ DE FONCTIONNEMENT. NE REMPLACER CES COMPOSANTS QUE PAR DES PIÈCES SONY DONT LES NUMÉROS SONT DONNÉS DANS CE MANUEL OU DANS LES SUPPLÉMENTS PUBLIÉS PAR SONY.

• **CD Playback**

You can play CD-DA (also containing CD TEXT*) and CD-R/CD-RW (MP3/WMA files also containing Multi Session).

Type of discs	Label on the disc
CD-DA	 
MP3 WMA	   

* A CD TEXT disc is a CD-DA that includes information such as disc, artist and track name.

● **UNLEADED SOLDER**

Boards requiring use of unleaded solder are printed with the lead-free mark (LF) indicating the solder contains no lead. (Caution: Some printed circuit boards may not come printed with the lead free mark due to their particular size.)

LF : LEAD FREE MARK

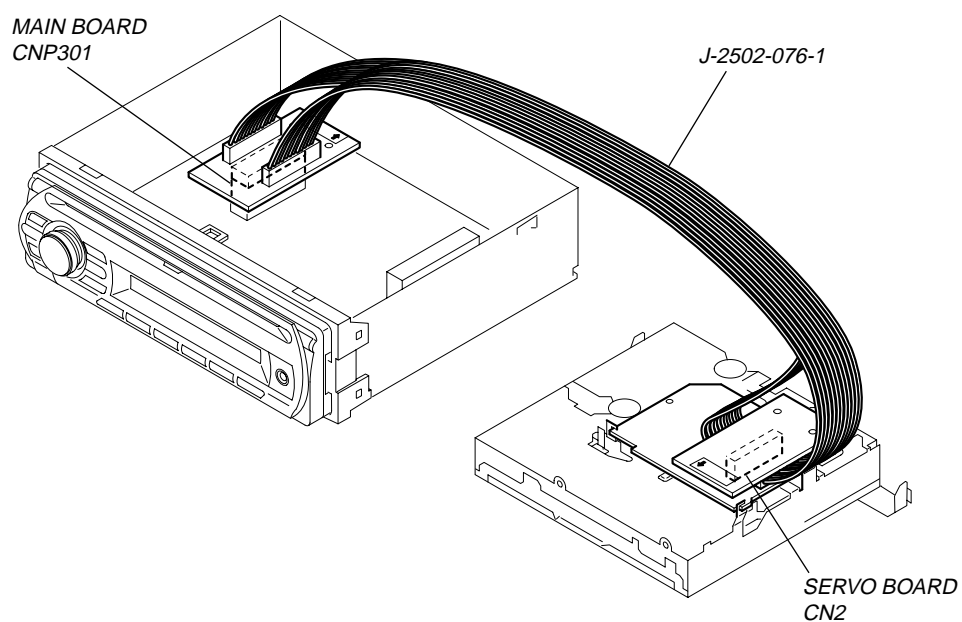
Unleaded solder has the following characteristics.

- Unleaded solder melts at a temperature about 40°C higher than ordinary solder.
Ordinary soldering irons can be used but the iron tip has to be applied to the solder joint for a slightly longer time. Soldering irons using a temperature regulator should be set to about 350°C.
Caution: The printed pattern (copper foil) may peel away if the heated tip is applied for too long, so be careful!
- Strong viscosity
Unleaded solder is more viscous (sticky, less prone to flow) than ordinary solder so use caution not to let solder bridges occur such as on IC pins, etc.
- Usable with ordinary solder
It is best to use only unleaded solder but unleaded solder may also be added to ordinary solder.

EXTENSION CABLE AND SERVICE POSITION

When repairing or servicing this set, connect the jig (extension cable) as shown below.

- Connect the MAIN board (CNP301) and the SERVO board (CN2) with the extension cable (Part No. J-2502-076-1).



• E model



This label is located on the bottom of the chassis.

• Chinese model



此标签位于机壳的底部。

NOTE FOR REPLACEMENT OF THE SERVO BOARD

When repairing, the complete SERVO board (A-1177-201-A) should be replaced since any parts in the SERVO board cannot be repaired.

NOTE FOR REPLACEMENT OF THE AUX JACK (J901)

To replace the AUX jack requires alignment.

1. Insert the AUX jack into the KEY board.
2. Place the KEY board on the front panel.
3. Solder the three terminals of the jack.

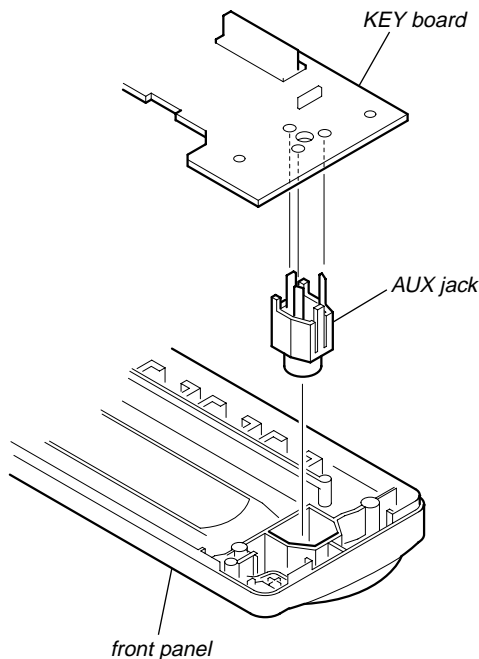


TABLE OF CONTENTS

1. GENERAL	
Location of Controls (CDX-GT21W: US)	5
Connections (CDX-GT21W: US)	5
Location of Controls (CDX-GT21W: CND/GT210)	7
Connections (CDX-GT21W: CND/GT210)	7
Location of Controls (CDX-GT260/GT260S)	9
Connections (CDX-GT260/GT260S)	9
2. DISASSEMBLY	
2-1. Sub Panel (LCD) Assy	12
2-2. CD Mechanism Block	12
2-3. Main Board	13
2-4. Servo Board	13
2-5. Chassis (T) Sub Assy	14
2-6. Roller Arm Assy	14
2-7. Chassis (OP) Assy	15
3. DIAGNOSIS FUNCTION	16
4. DIAGRAMS	
4-1. Block Diagram –Main Section–	19
4-2. Block Diagram –Display Section–	20
4-3. Printed Wiring Board –Main Section–	21
4-4. Schematic Diagram –Main Section (1/3)–	22
4-5. Schematic Diagram –Main Section (2/3)–	23
4-6. Schematic Diagram –Main Section (3/3)–	24
4-7. Printed Wiring Board –Key Section–	25
4-8. Schematic Diagram –Key Section–	26
5. EXPLODED VIEWS	
5-1. Main Section	31
5-2. Front Panel Section	32
5-3. CD Mechanism Section (MG-101TA-188//Q)	33
6. ELECTRICAL PARTS LIST	34

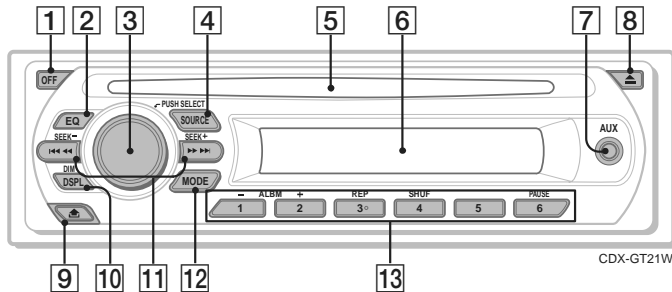
**SECTION 1
GENERAL**

This section is extracted from instruction manual.

• **LOCATION OF CONTROL (CDX-GT21W: US)**

Location of controls and basic operations

Main unit



Refer to the pages listed for details.

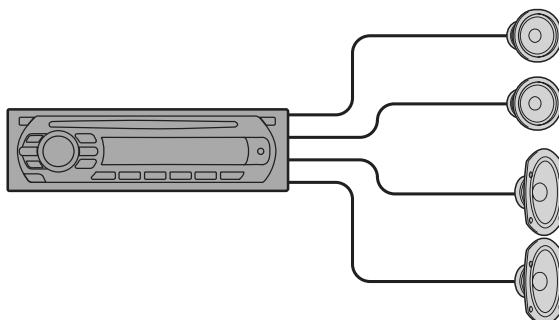
- 1 OFF button**
To power off; stop the source.
- 2 EQ (equalizer) button 8**
To select an equalizer type (XPLD, NATURAL, HARD, UPBEAT, VOCAL, CUSTOM or OFF).
- 3 Volume control dial/select button 8**
To adjust volume (rotate); select setup items (press and rotate).
- 4 SOURCE button**
To power on; change the source (Radio/CD/AUX).
- 5 Disc slot**
To insert the disc (label side up). Playback starts automatically.
- 6 Display window**
- 7 AUX input jack 9**
To connect a portable audio device.
- 8 ▲ (eject) button**
To eject the disc.
- 9 🚪 (front panel release) button 4**
- 10 DSPL (display)/DIM (dimmer) button 7**
To change display items (press); change the display brightness (press and hold).

- 11 SEEK -/+ buttons**
CD:
To skip tracks (press); skip tracks continuously (press, then press again within about 1 second and hold); reverse/fast-forward a track (press and hold).
Radio:
To tune in stations automatically (press); find a station manually (press and hold).
- 12 MODE button 7**
To select the radio band (FM/AM).
- 13 Number buttons**
CD:
①/②: **ALBM -/+***
To skip albums (press); skip albums continuously (press and hold).
③: **REP 7**
④: **SHUF 7**
⑥: **PAUSE**
To pause playback. To cancel, press again.
Radio:
To receive stored stations (press); store stations (press and hold).

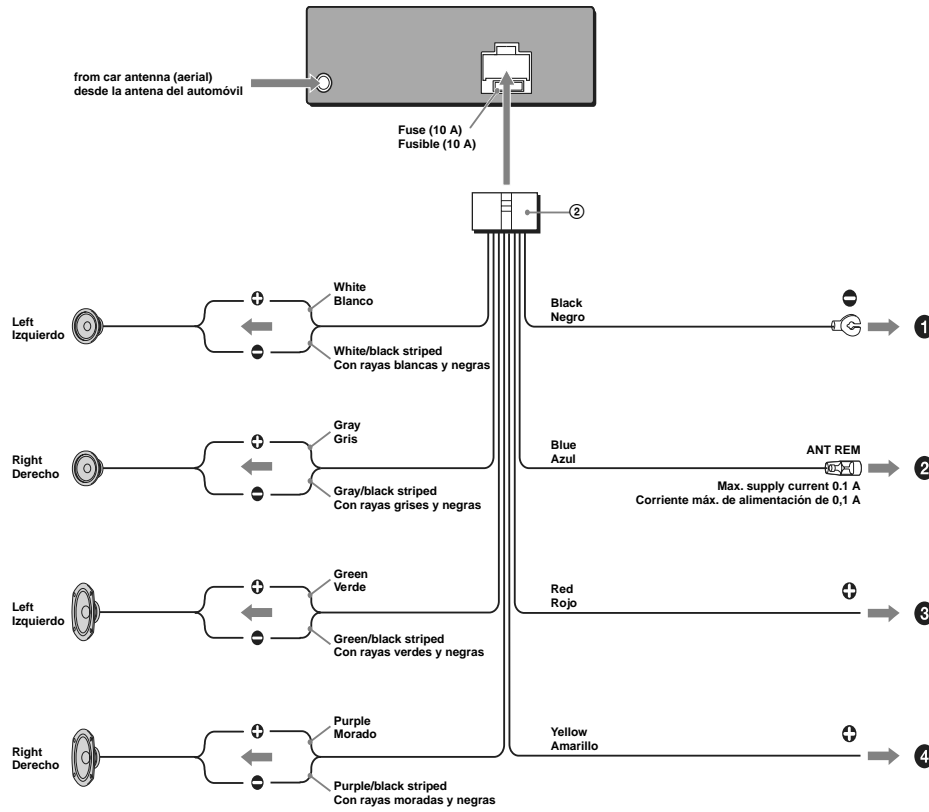
* When an MP3/WMA is played.

• **CONNECTIONS (CDX-GT21W: US)**

**Connection example
Ejemplo de conexiones**



2



Connection diagram 2

Diagrama de conexión 2

- 1 To a metal surface of the car
First connect the black ground (earth) lead, then connect the yellow and red power supply leads.
- 2 To the power antenna (aerial) control lead or power supply lead of antenna (aerial) booster
Notes
 - It is not necessary to connect this lead if there is no power antenna (aerial) or antenna (aerial) booster, or with a manually-operated telescopic antenna (aerial).
 - When your car has a built-in FM/AM antenna (aerial) in the rear/side glass, see "Notes on the control and power supply leads."
- 3 To the +12 V power terminal which is energized in the accessory position of the ignition switch
Notes
 - If there is no accessory position, connect to the +12 V power (battery) terminal which is energized at all times. Be sure to connect the black ground (earth) lead to a metal surface of the car first.
 - When your car has a built-in FM/AM antenna (aerial) in the rear/side glass, see "Notes on the control and power supply leads."
- 4 To the +12 V power terminal which is energized at all times
Be sure to connect the black ground (earth) lead to a metal surface of the car first.

- Notes on the control and power supply leads**
- The power antenna (aerial) control lead (blue) supplies +12 V DC when you turn on the tuner.
 - When your car has built-in FM/AM antenna (aerial) in the rear/side glass, connect the power antenna (aerial) control lead (blue) or the accessory power supply lead (red) to the power terminal of the existing antenna (aerial) booster. For details, consult your dealer.
 - A power antenna (aerial) without a relay box cannot be used with this unit.

Memory hold connection
When the yellow power supply lead is connected, power will always be supplied to the memory circuit even when the ignition switch is turned off.

- Notes on speaker connection**
- Before connecting the speakers, turn the unit off.
 - Use speakers with an impedance of 4 to 8 ohms, and with adequate power handling capacities to avoid its damage.
 - Do not connect the speaker terminals to the car chassis, or connect the terminals of the right speakers with those of the left speaker.
 - Do not connect the ground (earth) lead of this unit to the negative (-) terminal of the speaker.
 - Do not attempt to connect the speakers in parallel.
 - Connect only passive speakers. Connecting active speakers (with built-in amplifiers) to the speaker terminals may damage the unit.
 - To avoid a malfunction, do not use the built-in speaker leads installed in your car if the unit shares a common negative (-) lead for the right and left speakers.
 - Do not connect the unit's speaker leads to each other.

Note on connection
If speaker is not connected correctly, "FAILURE" appears in the display. In this case, make sure the speaker is connected correctly.

- 1 A una superficie metálica del automóvil
Conecte primero el cable de conexión a masa negro, y después los cables amarillo y rojo de fuente de alimentación.
- 2 Al cable de control de la antena motorizada o al cable de fuente de alimentación del amplificador de señal de la antena
Notes
 - Si no se dispone de antena motorizada ni de amplificador de señal de la antena, o se utiliza una antena telescópica accionada manualmente, no será necesario conectar este cable.
 - Si el automóvil incorpora una antena de FM/AM en el cristal trasero o lateral, consulte "Notas sobre los cables de control y de fuente de alimentación."
- 3 Al terminal de alimentación de +12 V que recibe energía en la posición de accesorio del interruptor de la llave de encendido
Notes
 - Si no hay posición de accesorio, conéctelo al terminal de alimentación (batería) de +12 V que recibe energía sin interrupción. Asegúrese de conectar primero el cable de conexión a masa negro a una superficie metálica del automóvil.
 - Si el automóvil incorpora una antena de FM/AM en el cristal trasero o lateral, consulte "Notas sobre los cables de control y de fuente de alimentación."
- 4 Al terminal de alimentación de +12 V que recibe energía sin interrupción
Asegúrese de conectar primero el cable de conexión a masa negro a una superficie metálica del automóvil.

- Notes sobre los cables de control y de fuente de alimentación**
- El cable de control de la antena motorizada (azul) suministrará de +12 V cuando conecte la alimentación del sintonizador.
 - Si el automóvil dispone de una antena de FM/AM incorporada en el cristal trasero o lateral, conecte el cable de control de antena motorizada (azul) o el cable de fuente de alimentación auxiliar (rojo) al terminal de alimentación del amplificador de señal de la antena existente. Para obtener más información, consulte a su distribuidor.
 - Con esta unidad no es posible utilizar una antena motorizada sin caja de relé.

Conexión para protección de la memoria
Si conecta el cable de fuente de alimentación amarillo, el circuito de la memoria recibirá siempre alimentación, aunque apague el interruptor de encendido.

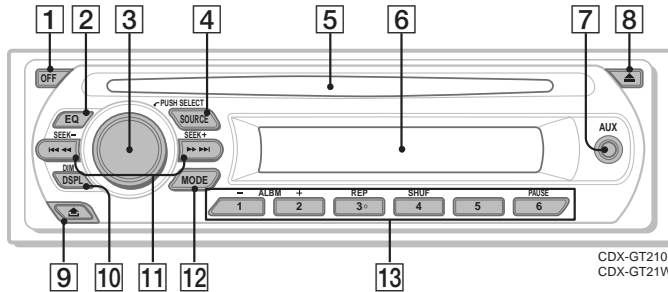
- Notes sobre la conexión de los altavoces**
- Antes de conectar los altavoces, desconecte la alimentación de la unidad.
 - Utilice altavoces con una impedancia de 4 a 8 Ω con la capacidad de potencia adecuada para evitar que se dañen.
 - No conecte los terminales de altavoz al chasis del automóvil, ni conecte los terminales del altavoz derecho con los del izquierdo.
 - No conecte el cable de conexión a masa de esta unidad al terminal negativo (-) del altavoz.
 - No intente conectar los altavoces en paralelo.
 - Conecte solamente altavoces pasivos. Si conecta altavoces activos (con amplificadores incorporados) a los terminales de altavoz, puede dañar la unidad.
 - Para evitar fallas de funcionamiento, no utilice los cables de altavoz incorporados instalados en el automóvil si su unidad comparte un cable negativo común (-) para los altavoces derecho e izquierdo.
 - No conecte los cables de altavoz de la unidad entre sí.

Nota sobre la conexión
Si el altavoz no está conectado correctamente, aparecerá "FAILURE" en la pantalla. Si es así, compruebe la conexión del altavoz.

• LOCATION OF CONTROL (CDX-GT21W: CND/GT210)

Location of controls and basic operations

Main unit



Refer to the pages listed for details.

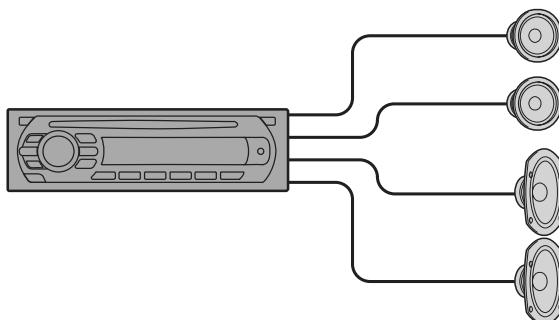
- 1 OFF button**
To power off; stop the source.
- 2 EQ (equalizer) button 8**
To select an equalizer type (XPLD, NATURAL, HARD, UPBEAT, VOCAL, CUSTOM or OFF).
- 3 Volume control dial/select button 8**
To adjust volume (rotate); select setup items (press and rotate).
- 4 SOURCE button**
To power on; change the source (Radio/CD/AUX).
- 5 Disc slot**
To insert the disc (label side up). Playback starts automatically.
- 6 Display window**
- 7 AUX input jack 9**
To connect a portable audio device.
- 8 ▲ (eject) button**
To eject the disc.
- 9 🚪 (front panel release) button 4**
- 10 DSPL (display)/DIM (dimmer) button 7**
To change display items (press); change the display brightness (press and hold).

- 11 SEEK -/+ buttons**
CD:
To skip tracks (press); skip tracks continuously (press, then press again within about 1 second and hold); reverse/fast-forward a track (press and hold).
Radio:
To tune in stations automatically (press); find a station manually (press and hold).
- 12 MODE button 7**
To select the radio band (FM/AM).
- 13 Number buttons**
CD:
①/②: **ALBM -/+***
To skip albums (press); skip albums continuously (press and hold).
③: **REP 7**
④: **SHUF 7**
⑥: **PAUSE**
To pause playback. To cancel, press again.
Radio:
To receive stored stations (press); store stations (press and hold).

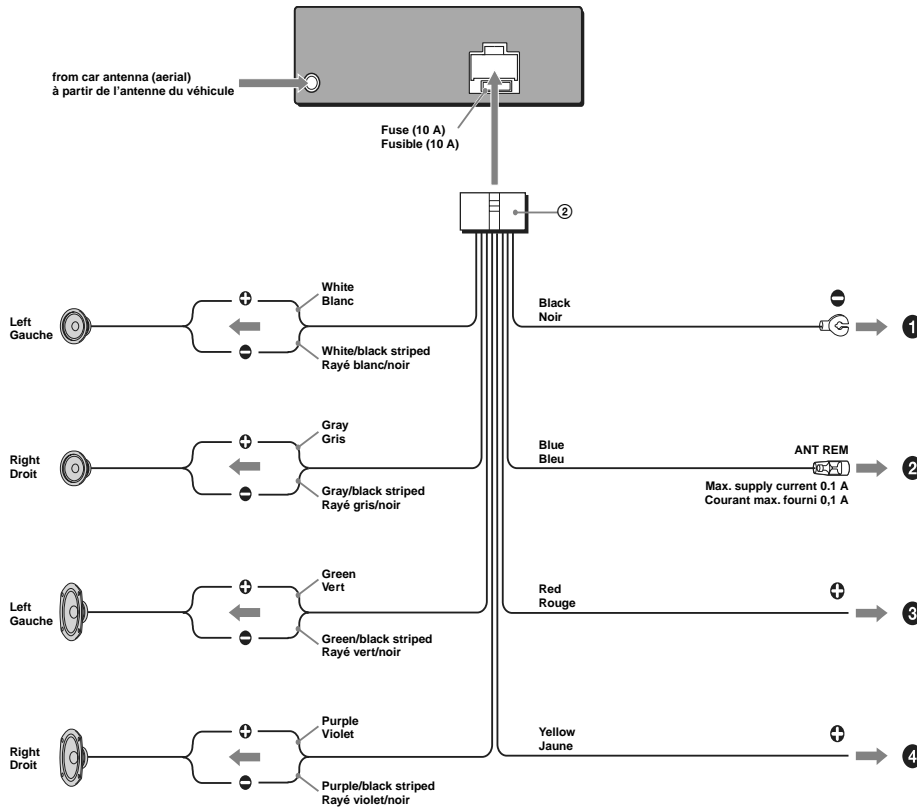
* When an MP3/WMA is played.

• CONNECTIONS (CDX-GT21W: CND/GT210)

Connection example
Exemple de raccordement



2



Connection diagram 2

Schéma de raccordement 2

- To a metal surface of the car**
First connect the black ground (earth) lead, then connect the yellow and red power supply leads.
- To the power antenna (aerial) control lead or power supply lead of antenna (aerial) booster**
Notes
 - It is not necessary to connect this lead if there is no power antenna (aerial) or antenna (aerial) booster, or with a manually-operated telescopic antenna (aerial).
 - When your car has a built-in FM/AM antenna (aerial) in the rear/side glass, see "Notes on the control and power supply leads."
- To the +12 V power terminal which is energized in the accessory position of the ignition switch**
Notes
 - If there is no accessory position, connect to the +12 V power (battery) terminal which is energized at all times. Be sure to connect the black ground (earth) lead to a metal surface of the car first.
 - When your car has a built-in FM/AM antenna (aerial) in the rear/side glass, see "Notes on the control and power supply leads."
- To the +12 V power terminal which is energized at all times**
Be sure to connect the black ground (earth) lead to a metal surface of the car first.

- Notes on the control and power supply leads**
- The power antenna (aerial) control lead (blue) supplies +12 V DC when you turn on the tuner.
 - When your car has built-in FM/AM antenna (aerial) in the rear/side glass, connect the power antenna (aerial) control lead (blue) or the accessory power supply lead (red) to the power terminal of the existing antenna (aerial) booster. For details, consult your dealer.
 - A power antenna (aerial) without a relay box cannot be used with this unit.

Memory hold connection
When the yellow power supply lead is connected, power will always be supplied to the memory circuit even when the ignition switch is turned off.

- Notes on speaker connection**
- Before connecting the speakers, turn the unit off.
 - Use speakers with an impedance of 4 to 8 ohms, and with adequate power handling capacities to avoid its damage.
 - Do not connect the speaker terminals to the car chassis, or connect the terminals of the right speakers with those of the left speaker.
 - Do not connect the ground (earth) lead of this unit to the negative (-) terminal of the speaker.
 - Do not attempt to connect the speakers in parallel.
 - Connect only passive speakers. Connecting active speakers (with built-in amplifiers) to the speaker terminals may damage the unit.
 - To avoid a malfunction, do not use the built-in speaker leads installed in your car if the unit shares a common negative (-) lead for the right and left speakers.
 - Do not connect the unit's speaker leads to each other.

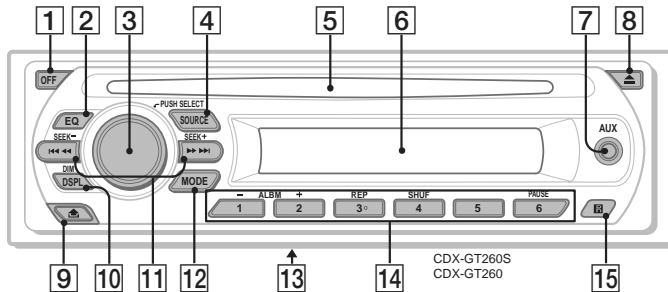
Note on connection
If speaker is not connected correctly, "FAILURE" appears in the display. In this case, make sure the speaker is connected correctly.

- À un point métallique de la voiture**
Branchez d'abord le câble de mise à la masse noir et, ensuite, les câbles d'alimentation jaune et rouge.
 - Vers le câble de commande d'antenne électrique ou le câble d'alimentation de l'amplificateur d'antenne**
Remarques
 - Il n'est pas nécessaire de raccorder ce câble s'il n'y a pas d'antenne électrique ni d'amplificateur d'antenne, ou avec une antenne télescopique manuelle.
 - Si votre voiture est équipée d'une antenne FM/AM intégrée dans la vitre arrière/latérale, voir « Remarques sur les câbles de commande et d'alimentation ».
 - À la borne +12 V qui est alimentée quand la clé de contact est sur la position accessoires**
Remarques
 - S'il n'y a pas de position accessoires, raccordez la borne d'alimentation (batterie) +12 V qui est alimentée en permanence. Raccordez d'abord le câble de mise à la masse noir à un point métallique du véhicule.
 - Si votre voiture est équipée d'une antenne FM/AM intégrée dans la vitre arrière/latérale, voir « Remarques sur les câbles de commande et d'alimentation ».
 - À la borne +12 V qui est alimentée en permanence**
Raccordez d'abord le câble de mise à la masse noir à un point métallique du véhicule.
- Remarques sur les câbles de commande et d'alimentation**
- Le câble de commande d'antenne électrique (bleu) fournit une alimentation de +12 V CC lorsque vous mettez la radio sous tension.
 - Lorsque votre voiture est équipée d'une antenne FM/AM intégrée dans la vitre arrière/latérale, raccordez le câble de commande d'antenne électrique (bleu) ou le câble d'alimentation des accessoires (rouge) à la borne d'alimentation de l'amplificateur d'antenne existant. Pour plus de détails, consultez votre détaillant.
 - Une antenne électrique sans boîtier de relais ne peut pas être utilisée avec cet appareil.
- Raccordement pour la conservation de la mémoire**
Lorsque le câble d'alimentation jaune est raccordé, le circuit de la mémoire est alimenté en permanence même si la clé de contact est sur la position d'arrêt.
- Remarques sur le raccordement des haut-parleurs**
- Avant de raccorder les haut-parleurs, mettez l'appareil hors tension.
 - Utilisez des haut-parleurs ayant une impédance de 4 à 8 ohms avec une capacité électrique adéquate pour éviter de les endommager.
 - Ne raccordez pas les bornes du système de haut-parleurs au châssis de la voiture et ne raccordez pas les bornes du haut-parleur droit à celles du haut-parleur gauche.
 - Ne raccordez pas le câble de mise à la masse de cet appareil à la borne négative (-) du haut-parleur.
 - N'essayez pas de raccorder les haut-parleurs en parallèle.
 - Raccordez uniquement des haut-parleurs passifs. Le raccordement de haut-parleurs actifs (avec amplificateurs intégrés) aux bornes des haut-parleurs peut endommager l'appareil.
 - Pour éviter tout dysfonctionnement, n'utilisez pas les câbles des haut-parleurs intégrés installés dans votre voiture si l'appareil partage un câble négatif commun (-) pour les haut-parleurs droit et gauche.
 - Ne raccordez pas entre eux les cordons des haut-parleurs de l'appareil.
- Remarque sur le raccordement**
Si les haut-parleurs ne sont pas raccordés correctement, le message « FAILURE » s'affiche. Dans ce cas, assurez-vous que les haut-parleurs sont bien raccordés.

• LOCATION OF CONTROL (CDX-GT260/GT260S)

Location of controls and basic operations

Main unit



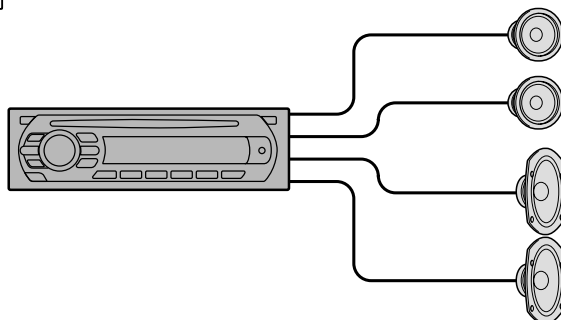
Refer to the pages listed for details.

- 1 OFF button**
To power off; stop the source.
- 2 EQ (equalizer) button 8**
To select an equalizer type (XPLOD, NATURAL, HARD, UPBEAT, VOCAL, CUSTOM or OFF).
- 3 Volume control dial/select button 8**
To adjust volume (rotate); select setup items (press and rotate).
- 4 SOURCE button**
To power on; change the source (Radio/CD/AUX).
- 5 Disc slot**
To insert the disc (label side up). Playback starts automatically.
- 6 Display window**
- 7 AUX input jack 9**
To connect a portable audio device.
- 8 ▲ (eject) button**
To eject the disc.
- 9 🗑️ (front panel release) button 4**
- 10 DSPL (display)/DIM (dimmer) button 7**
To change display items (press); change the display brightness (press and hold).
- 11 SEEK -/+ buttons**
CD:
To skip tracks (press); skip tracks continuously (press, then press again within about 1 second and hold); reverse/fast-forward a track (press and hold).
Radio:
To tune in stations automatically (press); find a station manually (press and hold).
- 12 MODE button 7**
To select the radio band (FM/MW/SW).
- 13 Frequency select switch** (located on the bottom of the unit)
See "Frequency select switch" in the supplied installation/connections manual.
- 14 Number buttons**
CD:
①/②: **ALBM -/+***
To skip albums (press); skip albums continuously (press and hold).
③: **REP 7**
④: **SHUF 7**
⑥: **PAUSE**
To pause playback. To cancel, press again.
Radio:
To receive stored stations (press); store stations (press and hold).
- 15 Receptor for the card remote commander**

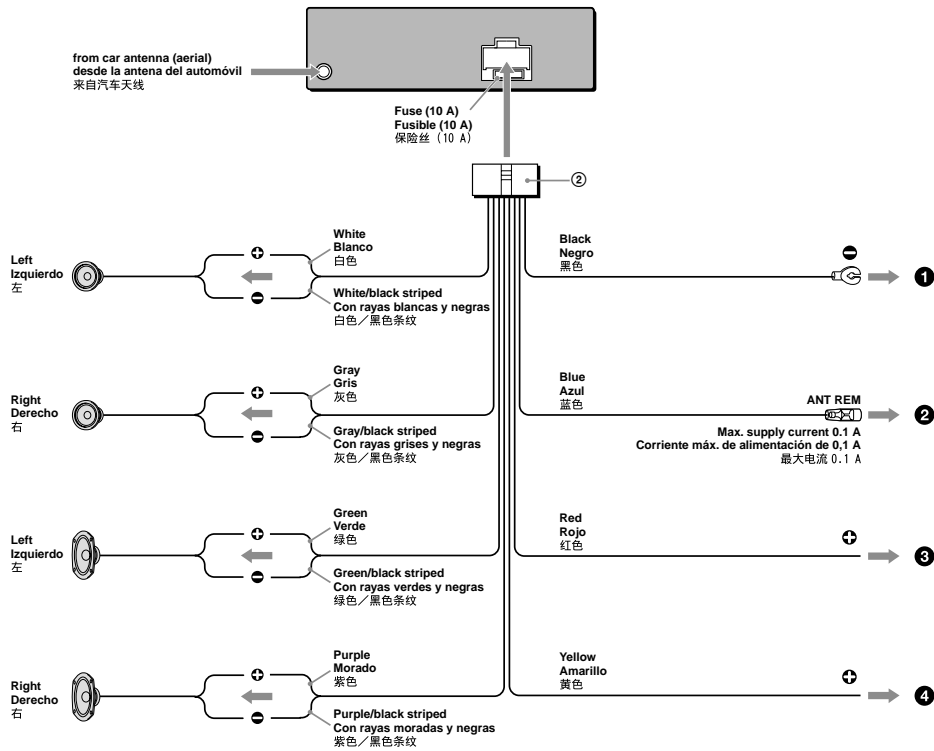
* When an MP3/WMA is played.

• CONNECTIONS (CDX-GT260/GT260S)

Connection example
Ejemplo de conexiones
线路连接图例



2



Connection diagram 2

- To a metal surface of the car**
First connect the black ground (earth) lead, then connect the yellow and red power supply leads.
- To the power antenna (aerial) control lead or power supply lead of antenna (aerial) booster**
Notes
 - It is not necessary to connect this lead if there is no power antenna (aerial) or antenna (aerial) booster, or with a manually-operated telescopic antenna (aerial).
 - When your car has a built-in FM/MW/SW antenna (aerial) in the rear/side glass, see "Notes on the control and power supply leads."
- To the + 12 V power terminal which is energized in the accessory position of the ignition switch**
Notes
 - If there is no accessory position, connect to the + 12 V power (battery) terminal which is energized at all times. Be sure to connect the black ground (earth) lead to a metal surface of the car first.
 - When your car has a built-in FM/MW/SW antenna (aerial) in the rear/side glass, see "Notes on the control and power supply leads."
- To the + 12 V power terminal which is energized at all times**
Be sure to connect the black ground (earth) lead to a metal surface of the car first.

Notes on the control and power supply leads

- The power antenna (aerial) control lead (blue) supplies + 12 V DC when you turn on the tuner.
- When your car has built-in FM/MW/SW antenna (aerial) in the rear/side glass, connect the power antenna (aerial) control lead (blue) or the accessory power supply lead (red) to the power terminal of the existing antenna (aerial) booster. For details, consult your dealer.
- A power antenna (aerial) without a relay box cannot be used with this unit.

Memory hold connection
When the yellow power supply lead is connected, power will always be supplied to the memory circuit even when the ignition switch is turned off.

- Notes on speaker connection**
- Before connecting the speakers, turn the unit off.
 - Use speakers with an impedance of 4 to 8 ohms, and with adequate power handling capacities to avoid its damage.
 - Do not connect the speaker terminals to the car chassis, or connect the terminals of the right speakers with those of the left speaker.
 - Do not connect the ground (earth) lead of this unit to the negative (-) terminal of the speaker.
 - Do not attempt to connect the speakers in parallel.
 - Connect only passive speakers. Connecting active speakers (with built-in amplifiers) to the speaker terminals may damage the unit.
 - To avoid a malfunction, do not use the built-in speaker leads installed in your car if the unit shares a common negative (-) lead for the right and left speakers.
 - Do not connect the unit's speaker leads to each other.

Note on connection
If speaker is not connected correctly, "FAILURE" appears in the display. In this case, make sure the speaker is connected correctly.

Diagrama de conexión 2

- A una superficie metálica del automóvil**
Conecte primero el cable de conexión a masa negro, y después los cables amarillo y rojo de fuente de alimentación.
- Al cable de control de la antena motorizada o al cable de fuente de alimentación del amplificador de señal de la antena**
Notes
 - Si no se dispone de antena motorizada ni de amplificador de señal de la antena, o se utiliza una antena telescópica accionada manualmente, no será necesario conectar este cable.
 - Si el automóvil incorpora una antena de FM/MW/SW en el cristal trasero o lateral, consulte "Notas sobre los cables de control y de fuente de alimentación."
- Al terminal de alimentación de + 12 V que recibe energía en la posición de accesorio del interruptor de la llave de encendido**
Notes
 - Si no hay posición de accesorio, conéctelo al terminal de alimentación (batería) de + 12 V que recibe energía sin interrupción. Asegúrese de conectar primero el cable de conexión a masa negro a una superficie metálica del automóvil.
 - Si el automóvil incorpora una antena de FM/MW/SW en el cristal trasero o lateral, consulte "Notas sobre los cables de control y de fuente de alimentación."
- Al terminal de alimentación de + 12 V que recibe energía sin interrupción**
Asegúrese de conectar primero el cable de conexión a masa negro a una superficie metálica del automóvil.

Notes sobre los cables de control y de fuente de alimentación

- El cable de control de la antena motorizada (azul) suministrará cc de + 12 V cuando conecte la alimentación del sintonizador.
- Si el automóvil dispone de una antena de FM/MW/SW incorporada en el cristal trasero o lateral, conecte el cable de control de antena motorizada (azul) o el cable de fuente de alimentación auxiliar (rojo) al terminal de alimentación del amplificador de señal de la antena existente. Para obtener más información, consulte a su distribuidor.
- Con esta unidad no es posible utilizar una antena motorizada sin caja de relé.

Conexión para protección de la memoria
Si conecta el cable de fuente de alimentación amarillo, el circuito de la memoria recibirá siempre alimentación, aunque apague el interruptor de encendido.

- Notes sobre la conexión de los altavoces**
- Antes de conectar los altavoces, desconecte la alimentación de la unidad.
 - Utilice altavoces con una impedancia de 4 a 8 Ω con la capacidad de potencia adecuada para evitar que se dañen.
 - No conecte los terminales de altavoz al chasis del automóvil, ni conecte los terminales del altavoz derecho con los del izquierdo.
 - No conecte el cable de conexión a masa de esta unidad al terminal negativo (-) del altavoz.
 - No intente conectar los altavoces en paralelo.
 - Conecte solamente altavoces pasivos. Si conecta altavoces activos (con amplificadores incorporados) a los terminales de altavoz, puede dañar la unidad.
 - Para evitar fallos de funcionamiento, no utilice los cables de altavoz incorporados instalados en el automóvil si su unidad comparte un cable negativo común (-) para los altavoces derecho e izquierdo.
 - No conecte los cables de altavoz de la unidad entre sí.

Nota sobre la conexión
Si el altavoz no está conectado correctamente, aparecerá "FAILURE" en la pantalla. Si es así, compruebe la conexión del altavoz.

线路连接图 2

- 至汽车金属表面**
首先连接黑色地线，然后连接黄色和红色电源线。
- 至电动天线控制导线或天线升降器的电源导线**
注
 - 如果没有电动天线或天线升降器，或有手动伸缩式天线，则无需连接此导线。
 - 若汽车的后/侧玻璃内有内置 FM/MW/SW 天线，请参阅“关于控制导线和电源导线的注意事项”。
- 至 + 12 V 电源端子，该端子在点火开关附件位置通电**
注
 - 如果没有附件位置，则连接至 + 12 V 电源（蓄电池）端子。该端子随时处于通电状态。确保首先将黑色地线连接至汽车金属表面。
 - 若汽车的后/侧玻璃内有内置 FM/MW/SW 天线，请参阅“关于控制导线和电源导线的注意事项”。
- 至 + 12 V 电源端子，该端子随时处于通电状态**
确保首先将黑色地线连接至汽车金属表面。

关于控制导线和电源导线的注意事项

- 接通调谐器电源时，电动天线的控制导线（蓝色）便能提供 + 12 V 直流电。
- 当汽车的后/侧玻璃上有内置 FM/MW/SW 天线时，请将电动天线控制线（蓝色）或辅助电源线（红色）连接至现有天线升降器上的电源端子上。详细说明，请与您的经销商联系。
- 本机不能使用不具备继电器盒的电动天线。

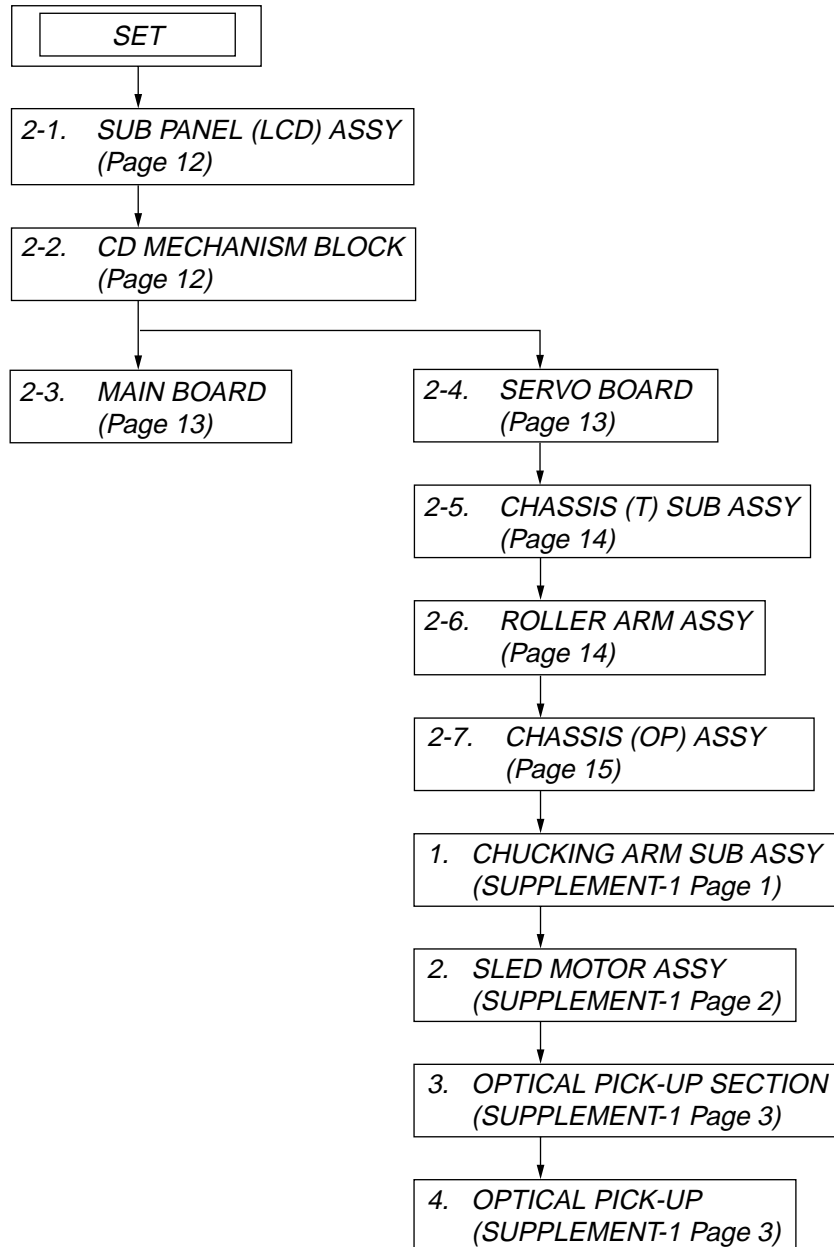
保持记忆的线路连接法
当连接了黄色的电源线时，即使点火开关关闭，电源仍将对该电路供电。

- 关于扬声器连接的注意事项**
- 连接扬声器之前，请关闭本机电源。
 - 请使用阻抗为 4-8 欧姆且有足够功率处理能力的扬声器，以免损坏。
 - 勿将扬声器端子连接到汽车底盘上，或将右扬声器的端子与左扬声器的端子连接。
 - 勿将本机的地线连接到扬声器的负载（-）端子上。
 - 扬声器不可并联连接。
 - 请勿连接无源扬声器。将有源扬声器（具有内置放大器）连接到扬声器端子可能会损坏本机。
 - 若本机使用左、右扬声器的共用负载（-）导线，为了避免故障，切勿使用安装在汽车内的内置扬声器导线。
 - 请勿将本机扬声器导线相互连接。

连接的注意事项
如果未正确连接扬声器，则显示屏上会出现 "FAILURE"。这时，请确保扬声器连接正确。

SECTION 2 DISASSEMBLY

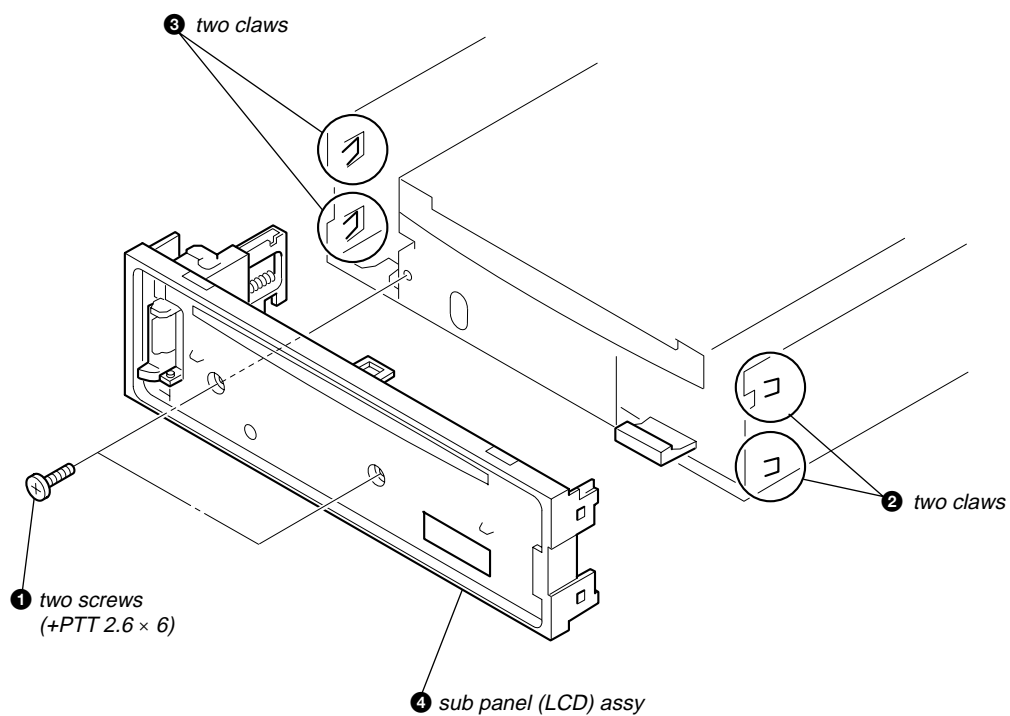
Note: This set can be disassemble according to the following sequence.



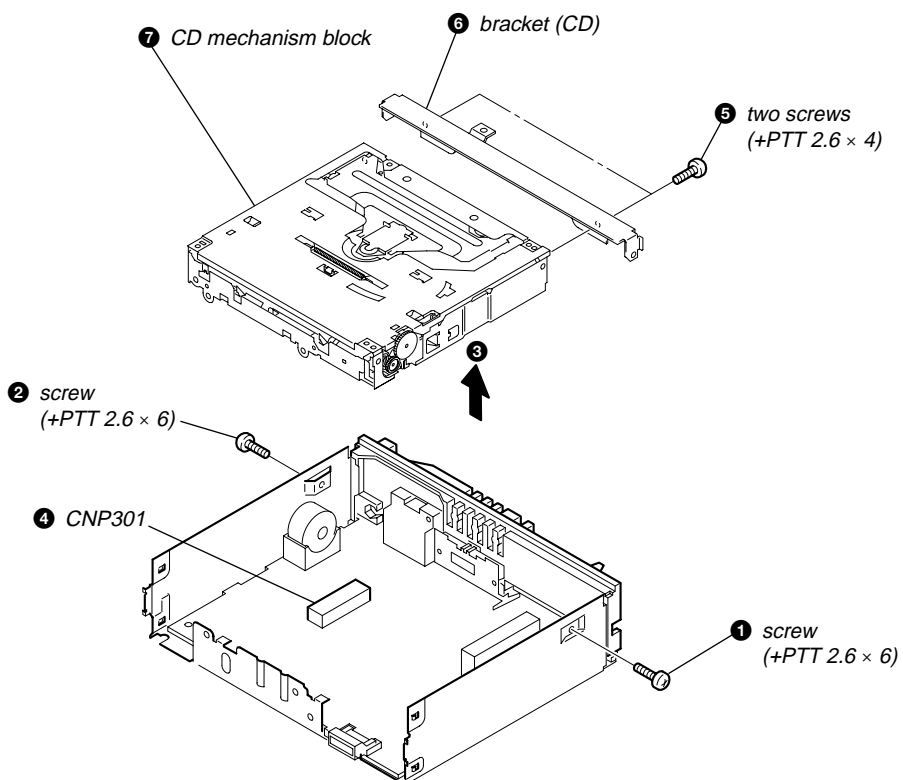
CDX-GT21W/GT210/GT260/GT260S

Note: Follow the disassembly procedure in the numerical order given.

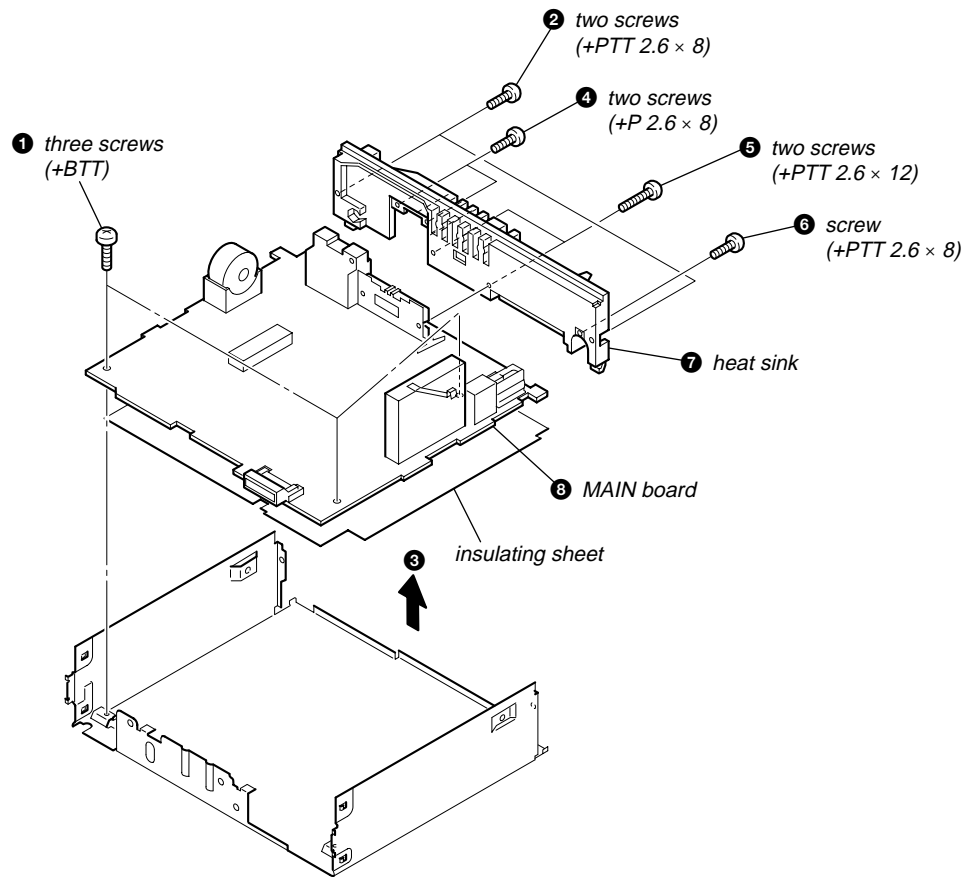
2-1. SUB PANEL (LCD) ASSY



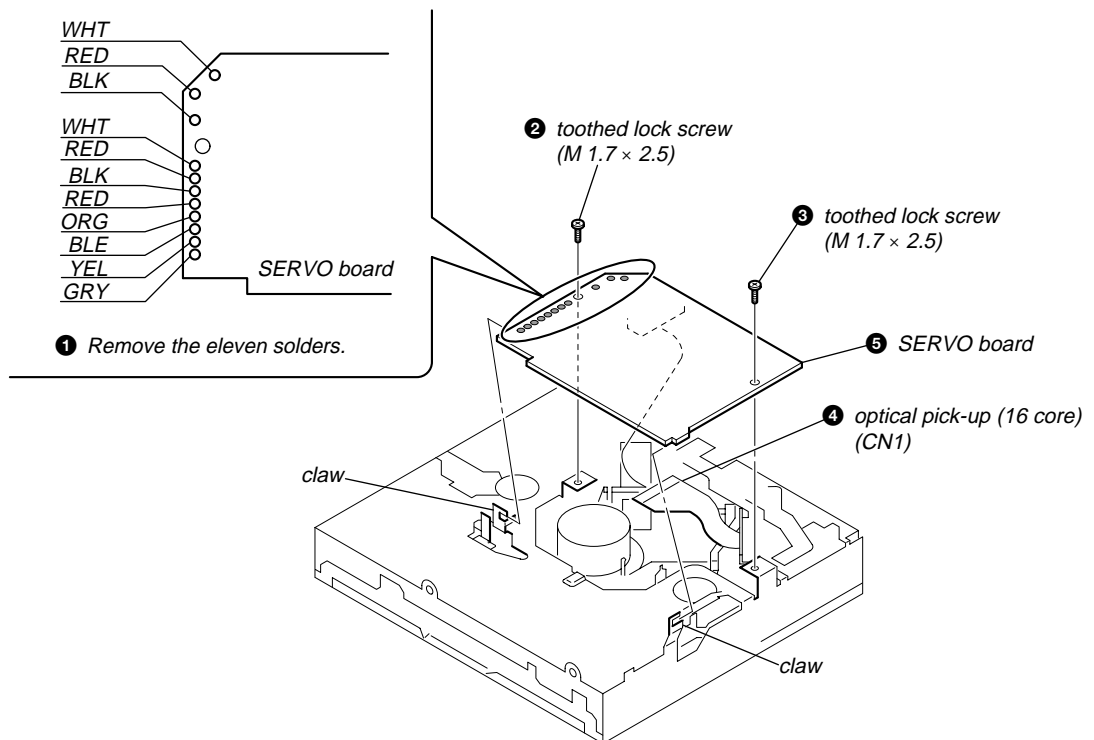
2-2. CD MECHANISM BLOCK



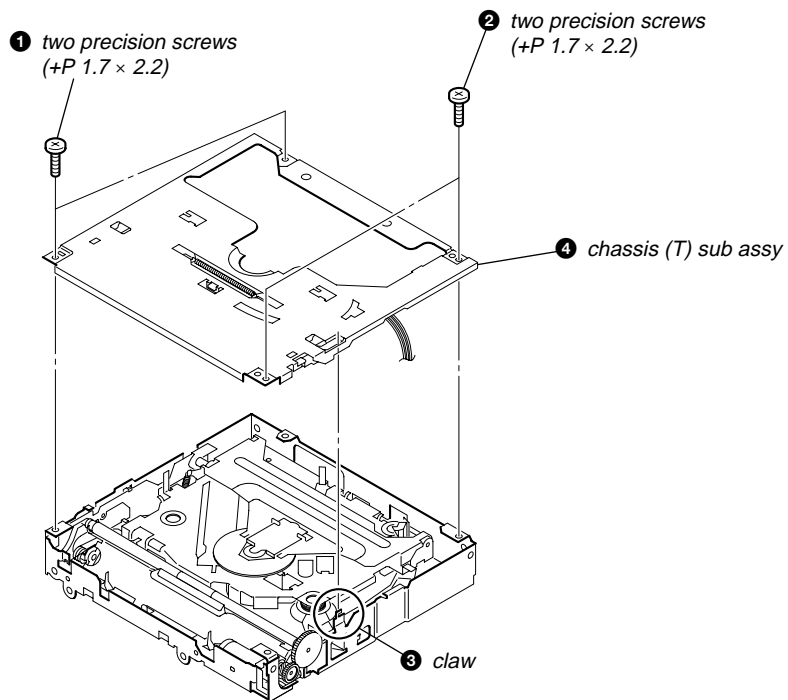
2-3. MAIN BOARD



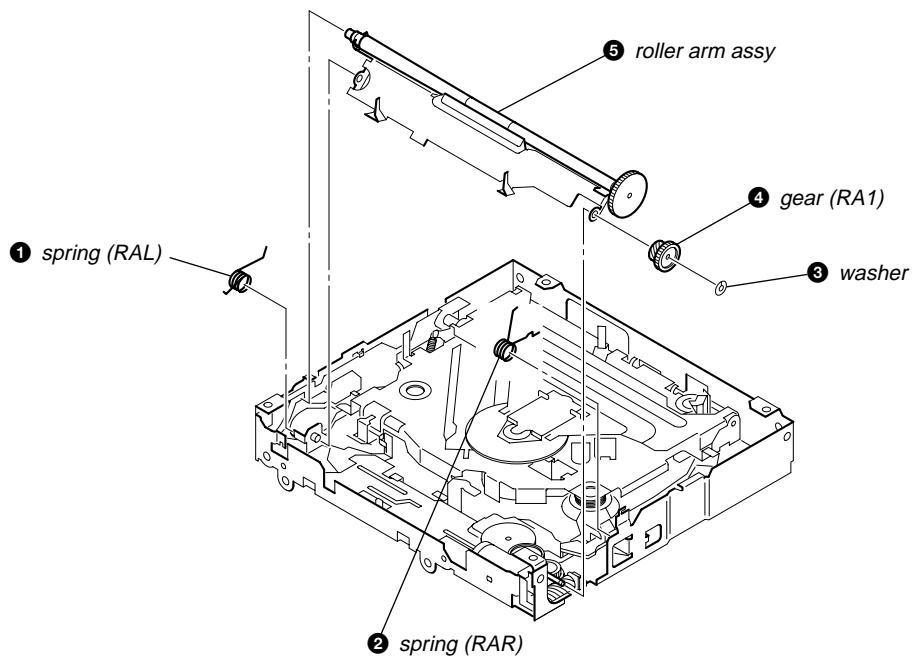
2-4. SERVO BOARD



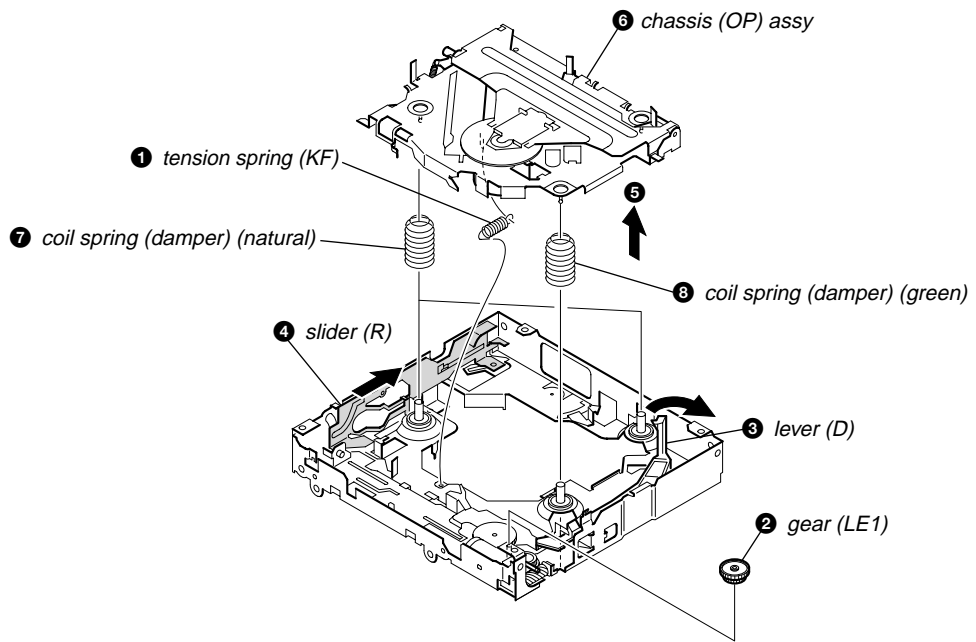
2-5. CHASSIS (T) SUB ASSY



2-6. ROLLER ARM ASSY



2-7. CHASSIS (OP) ASSY



SECTION 3 DIAGNOSIS FUNCTION

Description of the Diagnostics function:

1. Setting the Diag display mode

With the power off, press the [4] button, [5] button, and [4] button on the set body or the remote control (for more than 2 seconds) in turn.

2. Canceling the Diag display mode

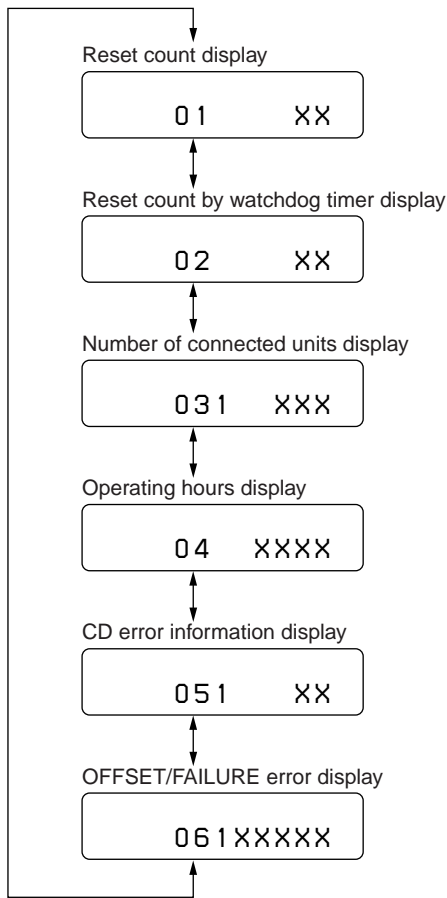
During the Diag function mode, press the [OFF] button.

3. Initial display in the Diag display mode.

Just when the Diag mode is entered, "reset count" is displayed.

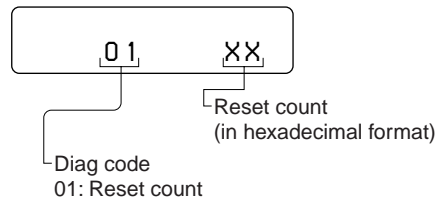
The display mode is switched by each rotation of

[▶▶▶▶/SEEK +] or [◀◀◀◀/SEEK -] keys.

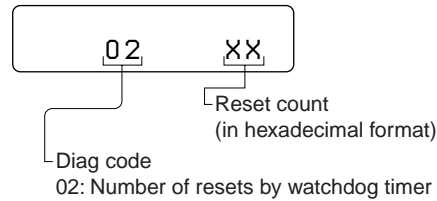


4. Contents of each display mode

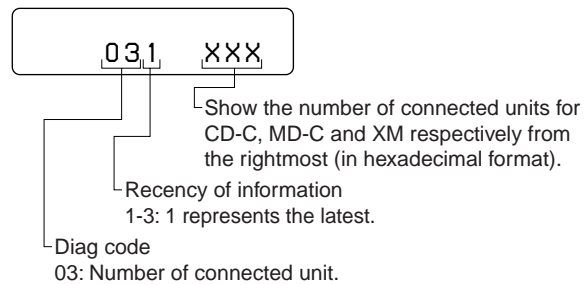
4-1. Reset count display mode



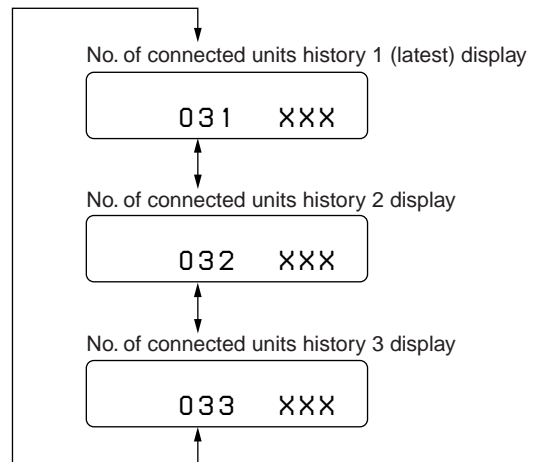
4-2. Reset count by watchdog timer display mode



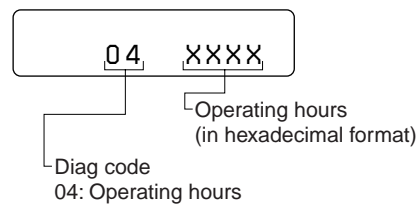
4-3. Number of connected units display mode



The display mode is switched by each rotation of [2] or [1] keys during the number of connected units display mode.

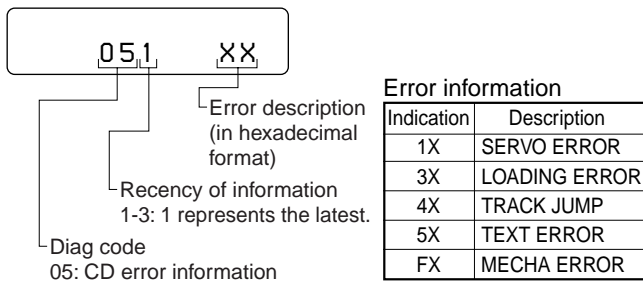


4-4. Operating hours display mode

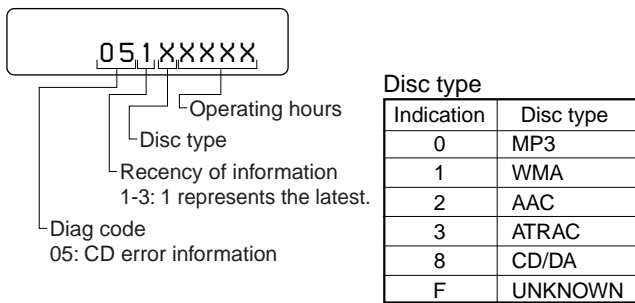


4-5. CD error information display mode

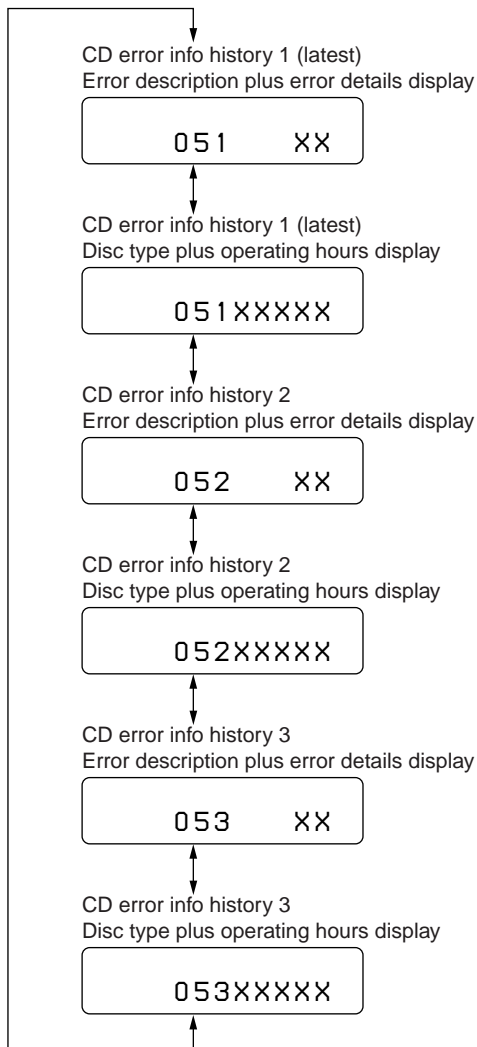
4-5-1. Error description



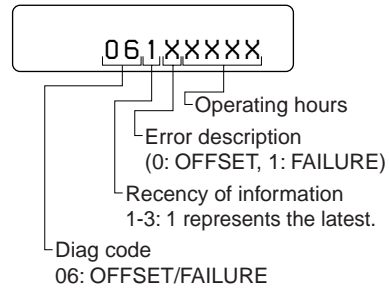
4-5-2. Disc type and operating hours



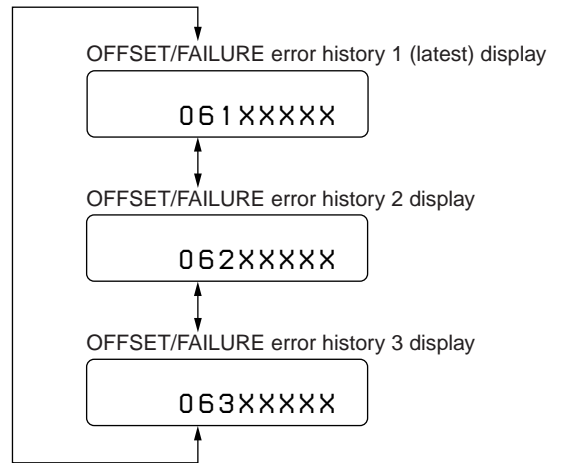
The display mode is switched by each rotation of [2] or [1] keys during the CD error information display mode.



4-6. OFFSET/FAILURE error display mode



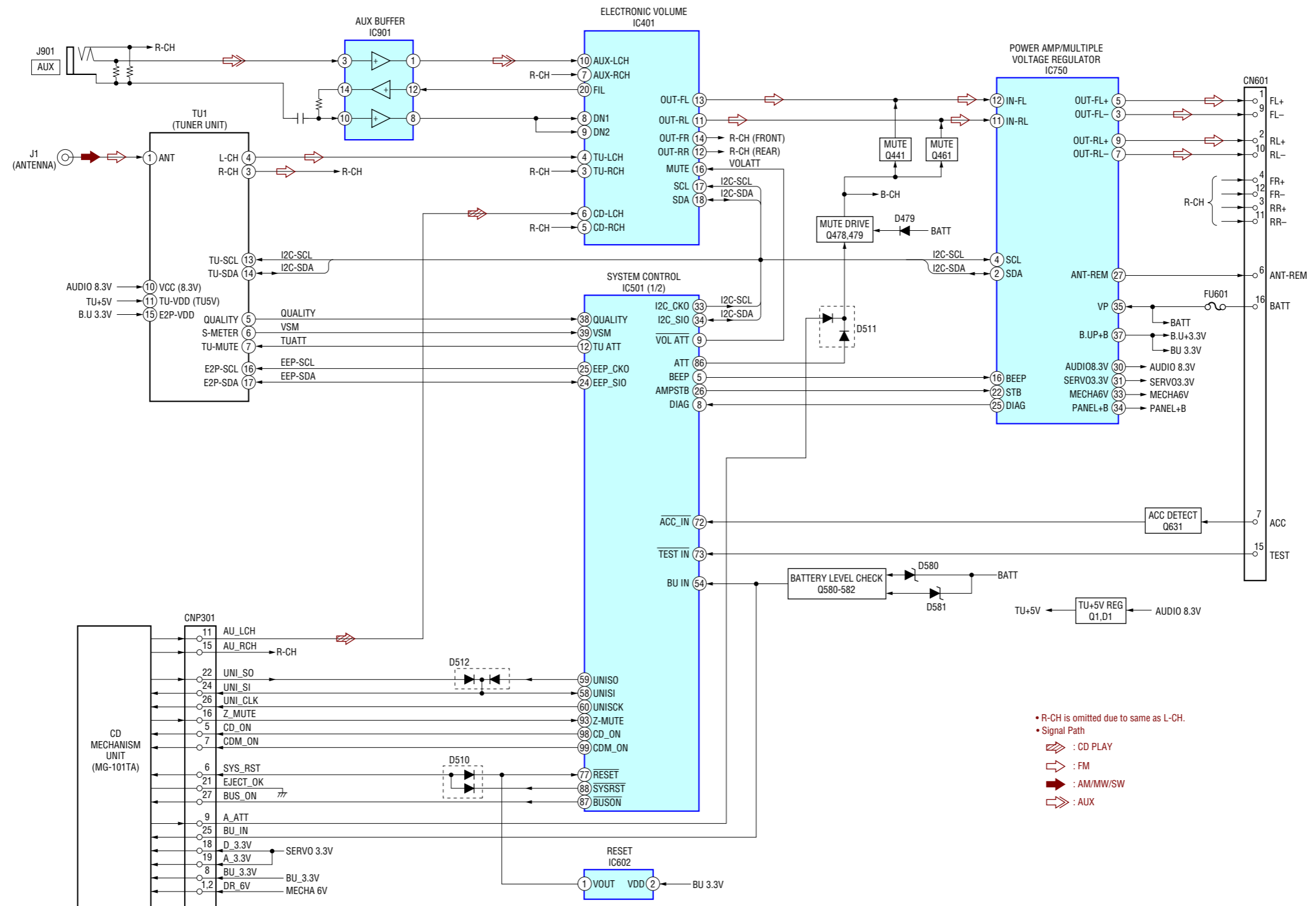
The display mode is switched by each rotation of [2] or [1] keys during the OFFSET/FAILURE error display mode.



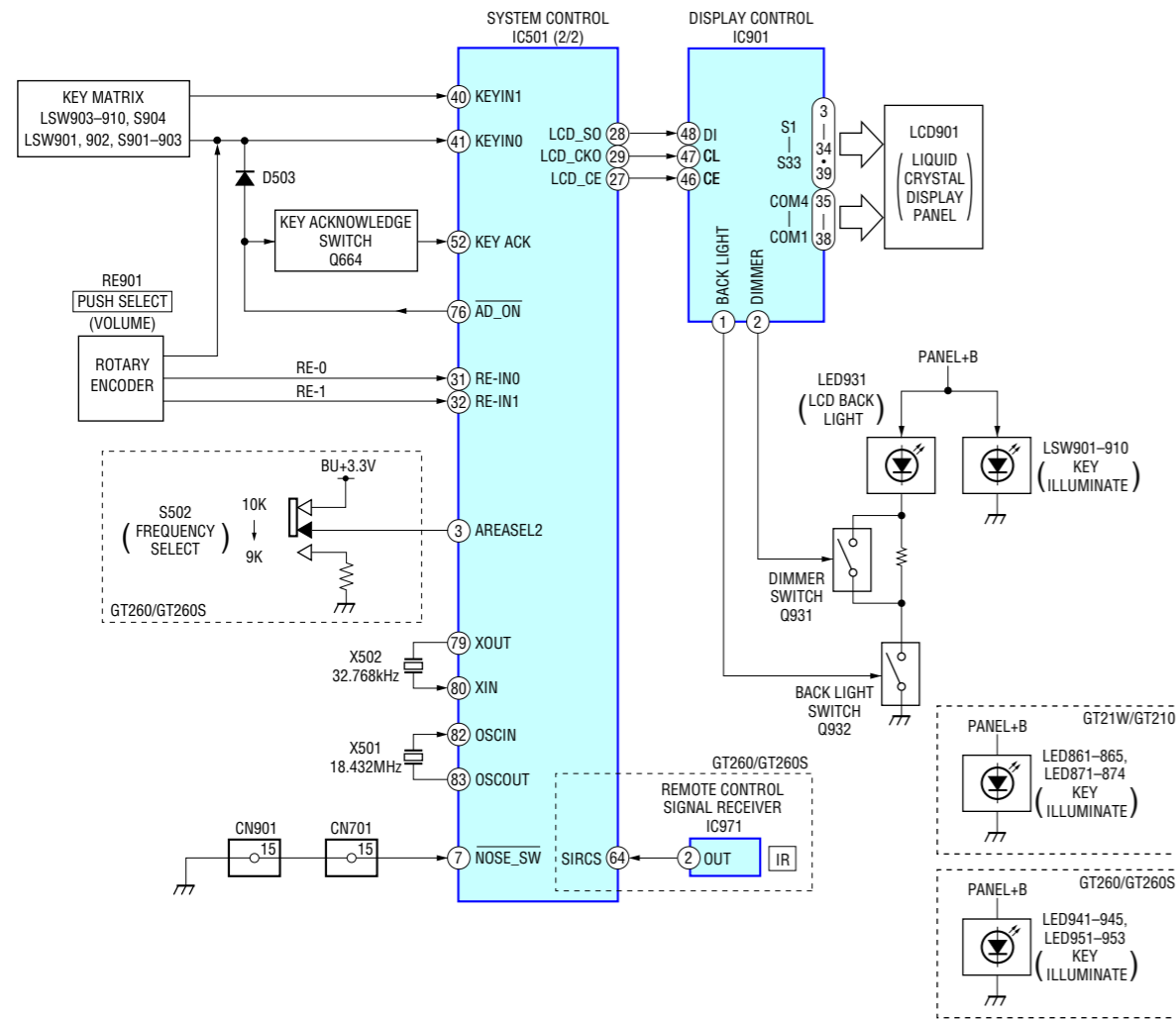
MEMO

SECTION 4 DIAGRAMS

4-1. BLOCK DIAGRAM — MAIN SECTION —



4-2. BLOCK DIAGRAM — DISPLAY SECTION —



• NOTE FOR PRINTED WIRING BOARDS AND SCHEMATIC DIAGRAMS

THIS NOTE IS COMMON FOR PRINTED WIRING BOARDS AND SCHEMATIC DIAGRAMS.
(In addition to this, the necessary note is printed in each block.)

For schematic diagrams.

Note:

- All capacitors are in μF unless otherwise noted. (p: pF) 50 WV or less are not indicated except for electrolytics and tantalums.
- All resistors are in Ω and $1/4\text{ W}$ or less unless otherwise specified.
- Δ : internal component.
- \square : panel designation.

Note:

The components identified by mark Δ or dotted line with mark Δ are critical for safety. Replace only with part number specified.

Note:

Les composants identifiés par une marque Δ sont critiques pour la sécurité. Ne les remplacer que par une pièce portant le numéro spécifié.

- --- : B+ Line.
- - - - : B- Line.
- \square : adjustment for repair.
- Voltages and waveforms are dc with respect to ground under no-signal (detuned) conditions.
no mark : FM
() : AM/MW/SW
< > : CD PLAY
* : impossible to measure
- Voltages are taken with a VOM (Input impedance $10\text{ M}\Omega$). Voltage variations may be noted due to normal production tolerances.
- Waveforms are taken with an oscilloscope. Voltage variations may be noted due to normal production tolerances.
- Circled numbers refer to waveforms.
- Signal path.
 \Rightarrow : CD PLAY
 \Rightarrow : FM
 \Rightarrow : AM/MW/SW
 \Rightarrow : AUX

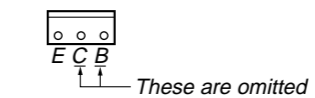
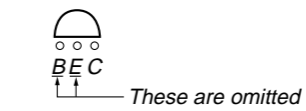
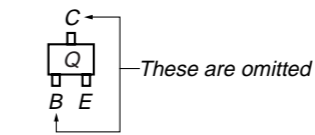
For printed wiring boards.

Note:

- \circ : parts extracted from the component side.
- --- : parts extracted from the conductor side.
- \circ : Through hole.
- \square : Pattern from the side which enables seeing. (The other layers' patterns are not indicated.)

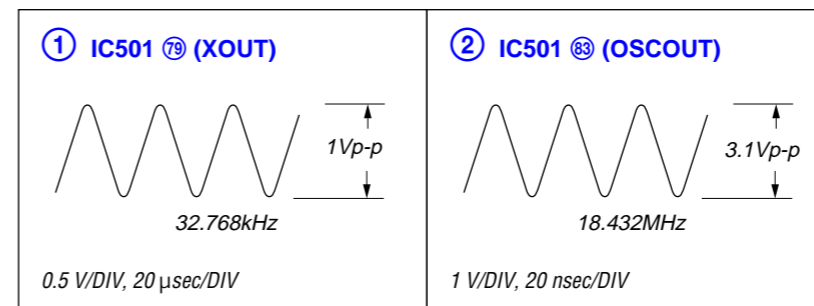
Caution:

Pattern face side: Parts on the pattern face side seen from the (Side B) pattern face are indicated.
Parts face side: Parts on the parts face side seen from the (Side A) parts face are indicated.

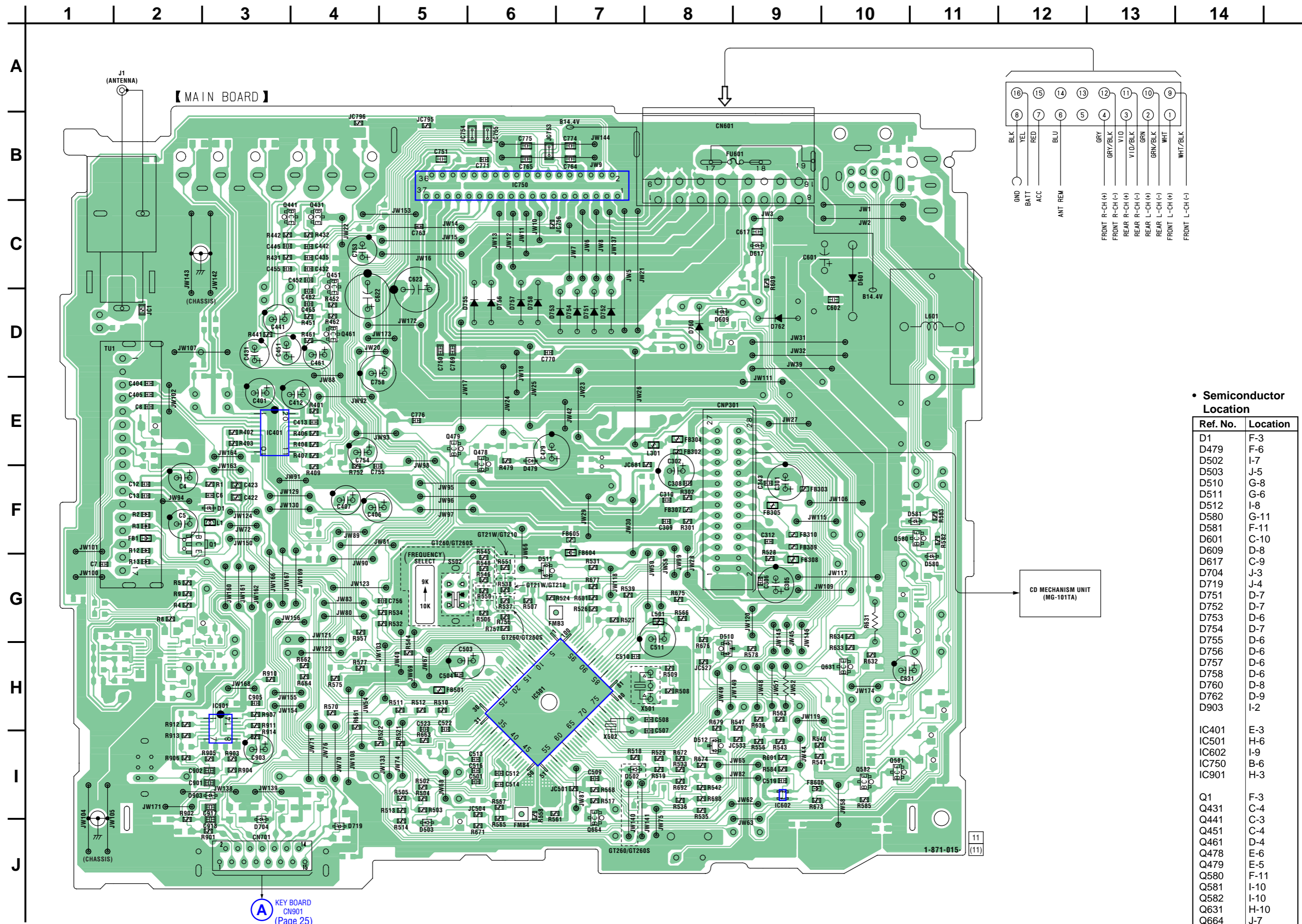


• Waveforms

— MAIN Board —



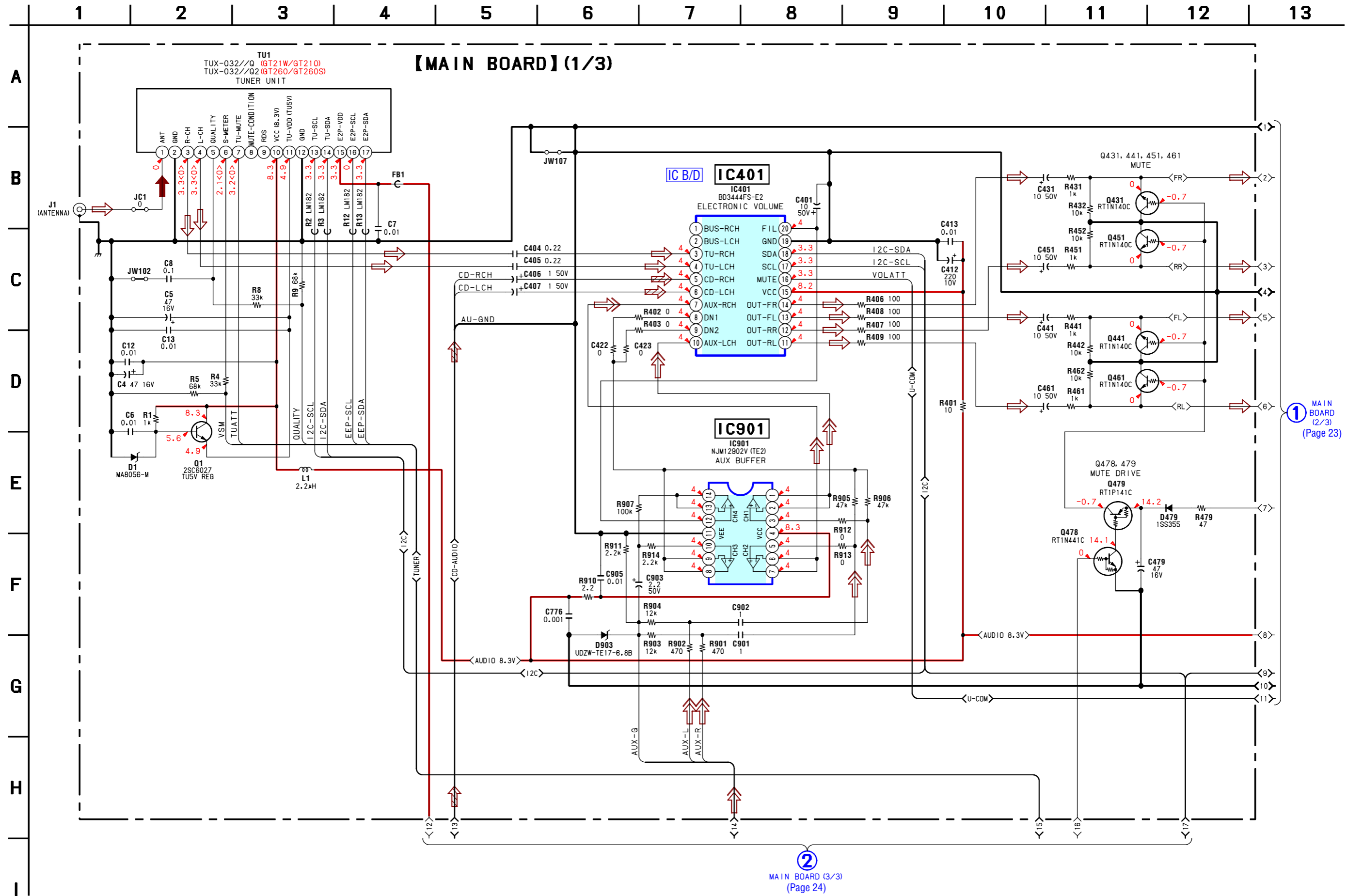
4-3. PRINTED WIRING BOARD — MAIN SECTION —  : Uses unleaded solder.



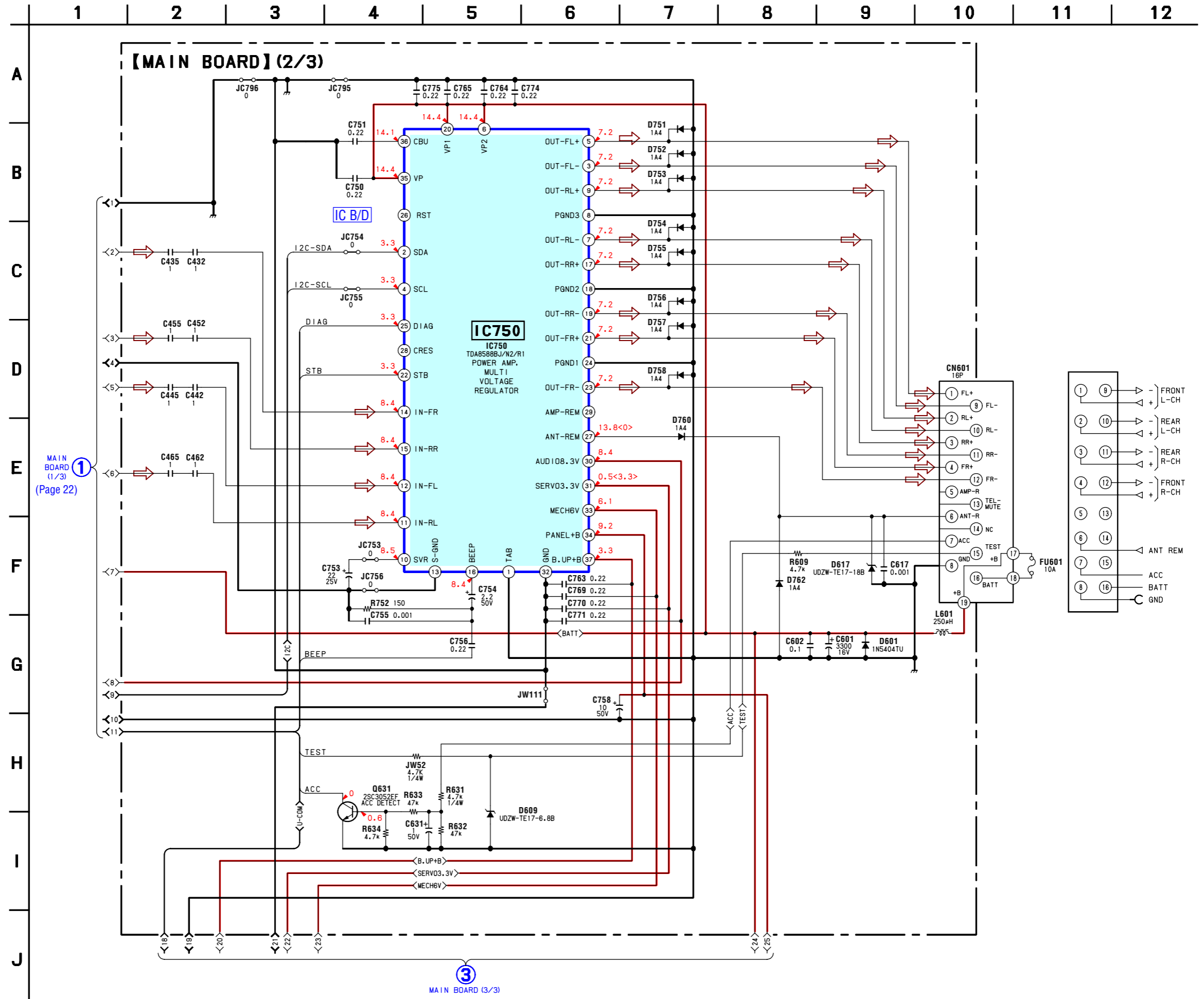
• Semiconductor Location

Ref. No.	Location
D1	F-3
D479	F-6
D502	I-7
D503	J-5
D510	G-8
D511	G-6
D512	I-8
D580	G-11
D581	F-11
D601	C-10
D609	D-8
D617	C-9
D704	J-3
D719	J-4
D751	D-7
D752	D-7
D753	D-6
D754	D-7
D755	D-6
D756	D-6
D757	D-6
D758	D-6
D760	D-8
D762	D-9
D903	I-2
IC401	E-3
IC501	H-6
IC602	I-9
IC750	B-6
IC901	H-3
Q1	F-3
Q431	C-4
Q441	C-3
Q451	C-4
Q461	D-4
Q478	E-6
Q479	E-5
Q580	F-11
Q581	I-10
Q582	I-10
Q631	H-10
Q664	J-7

4-4. SCHEMATIC DIAGRAM — MAIN SECTION (1/3) — • Refer to page 27 for IC Block Diagram.

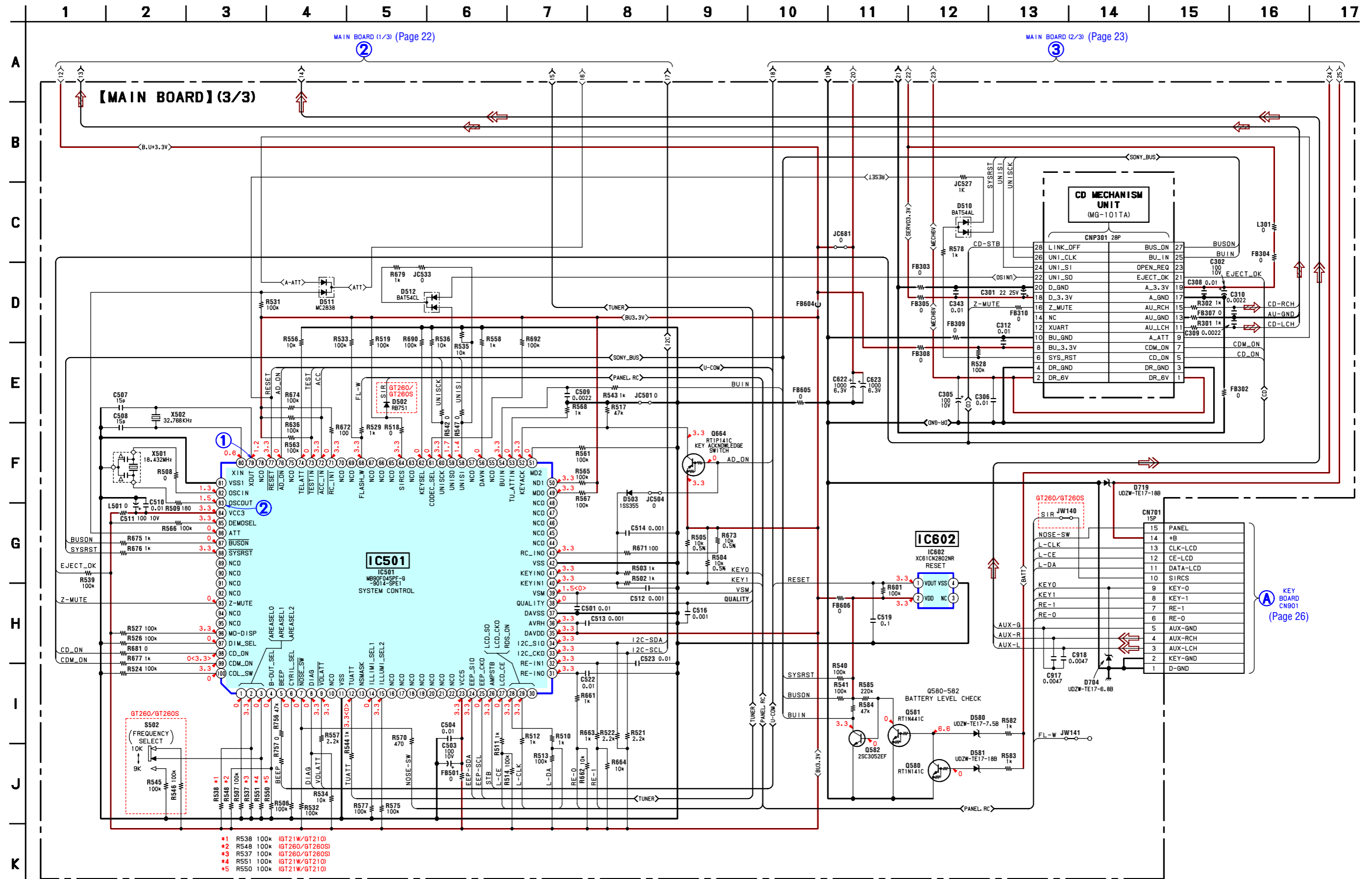


4-5. SCHEMATIC DIAGRAM — MAIN SECTION (2/3) — • Refer to page 28 for IC Block Diagram.

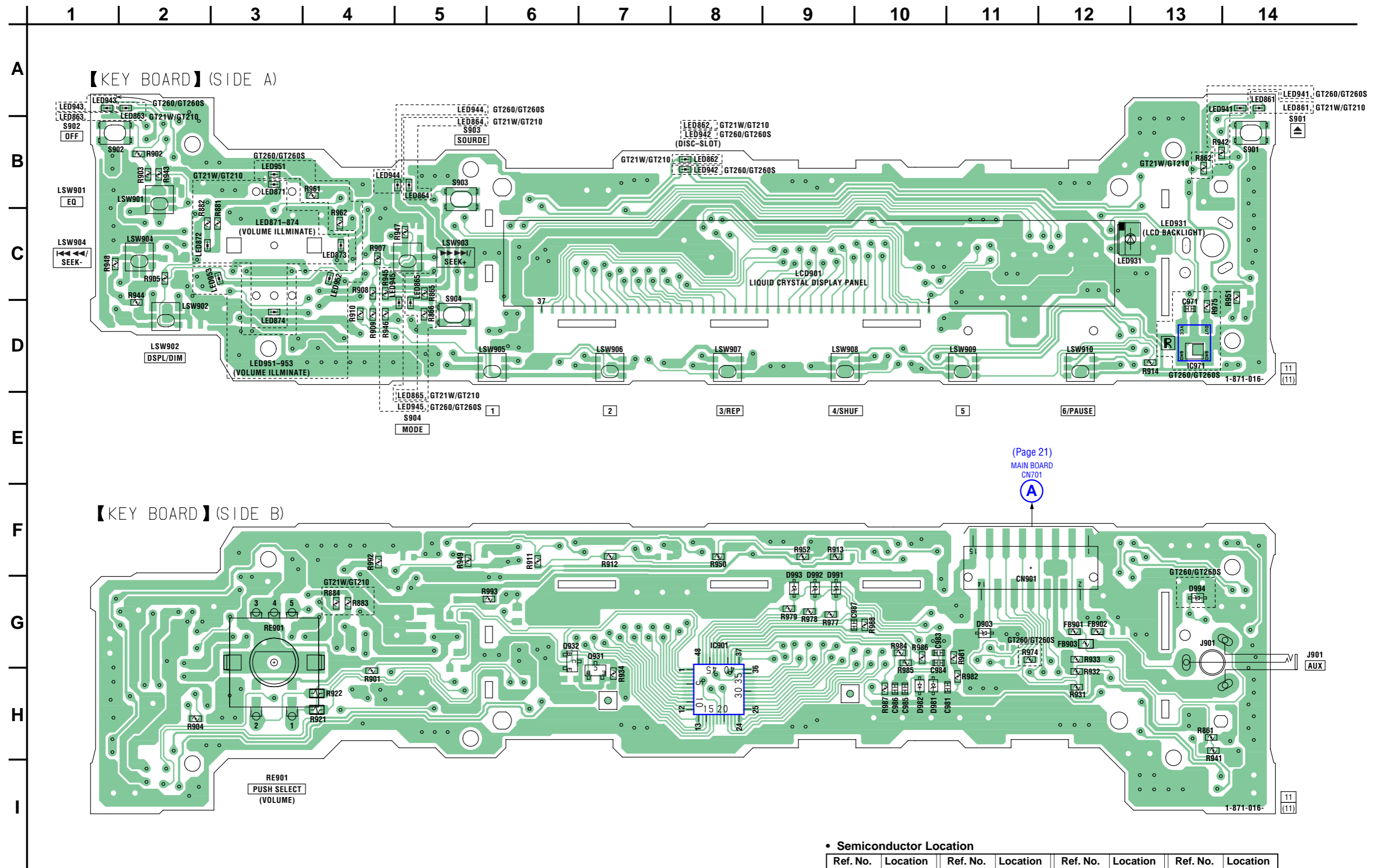


4-6. SCHEMATIC DIAGRAM — MAIN SECTION (3/3) —

• Refer to page 20 for Waveforms.
 • Refer to page 29 for IC Pin Descriptions.



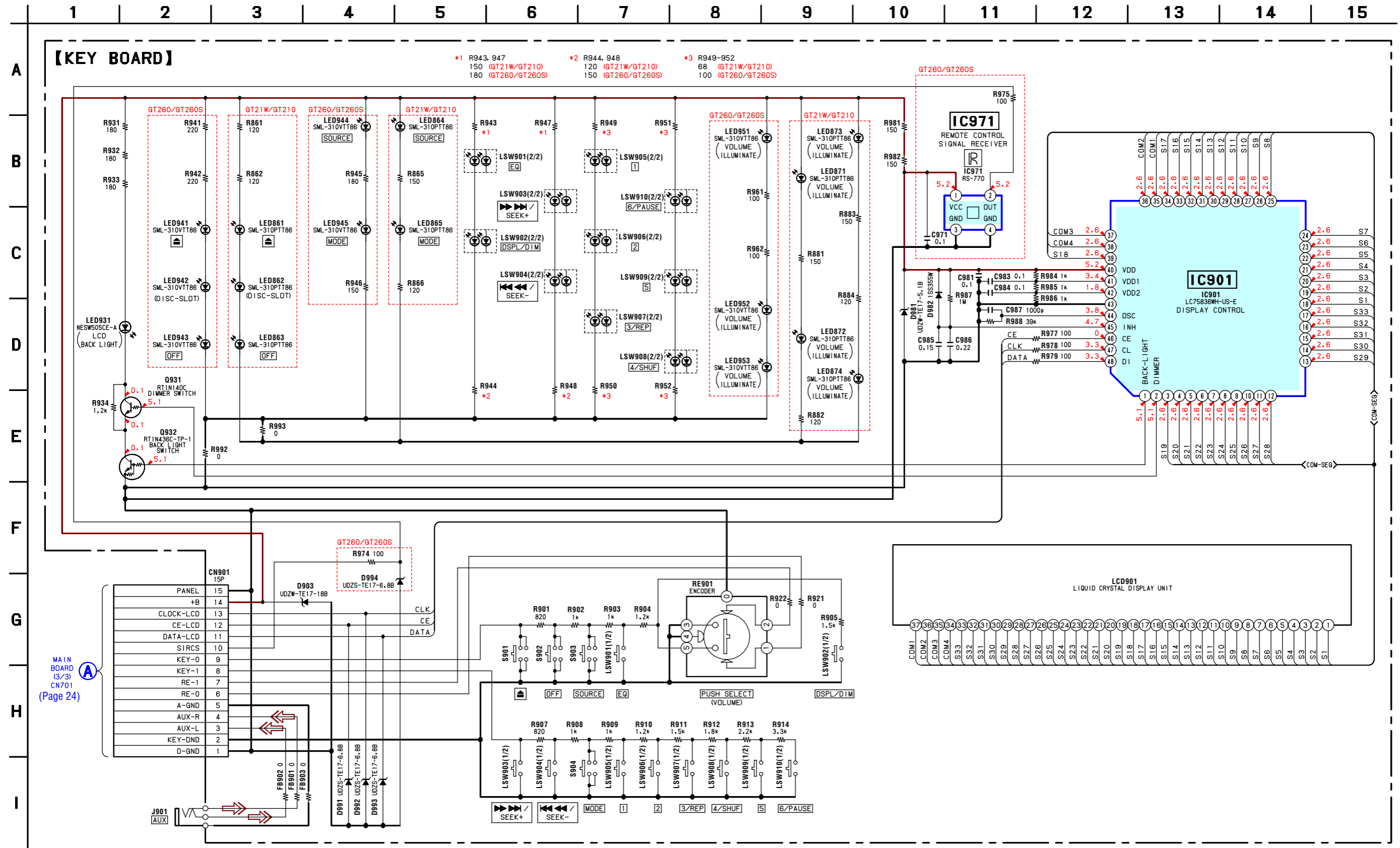
4-7. PRINTED WIRING BOARD — KEY SECTION —  : Uses unleaded solder.



• Semiconductor Location

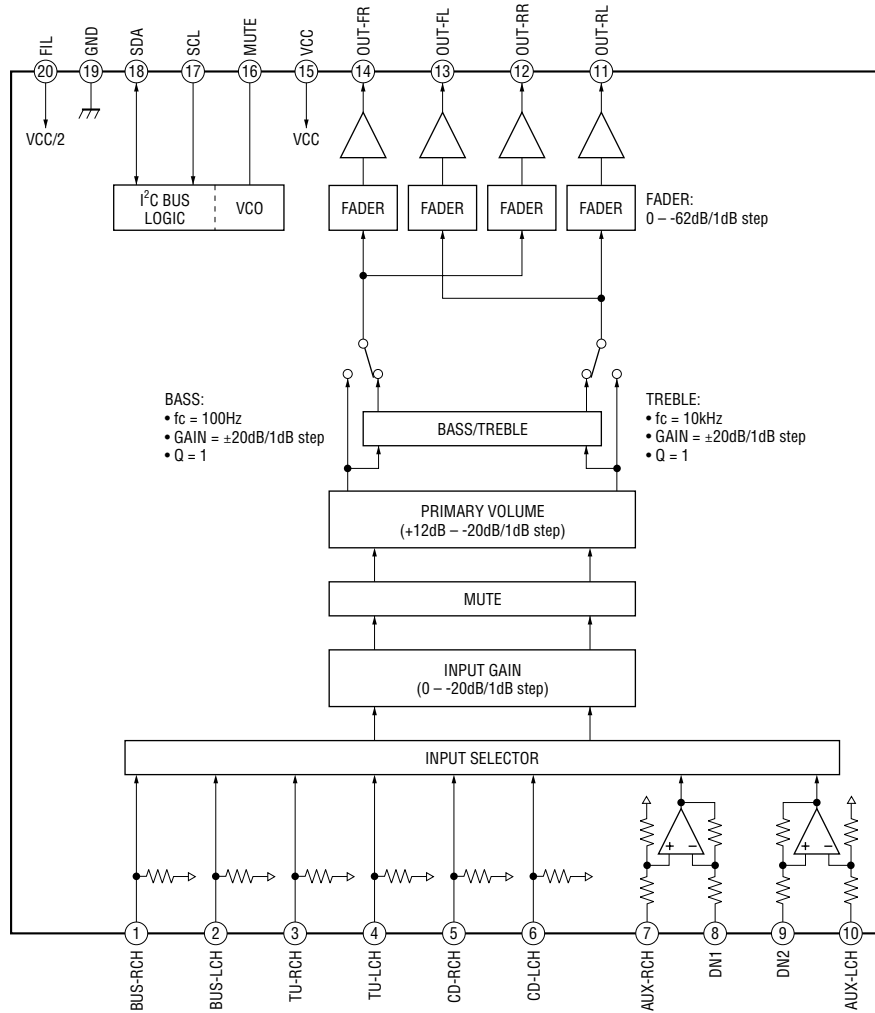
Ref. No.	Location	Ref. No.	Location	Ref. No.	Location	Ref. No.	Location
D903	G-11	IC901	G-8	LED871	B-3	LED944	B-4
D981	H-10	IC971	D-13	LED872	C-2	LED945	C-4
D982	H-10			LED873	C-4	LED951	B-3
D991	G-9	LED861	A-14	LED874	D-3	LED952	C-4
D992	G-9	LED862	B-8	LED931	C-13	LED953	C-3
D993	G-9	LED863	A-2	LED941	A-14		
D994	G-13	LED864	B-5	LED942	B-8	Q931	G-7
		LED865	C-5	LED943	A-1	Q932	G-6

4-8. SCHEMATIC DIAGRAM — KEY SECTION —

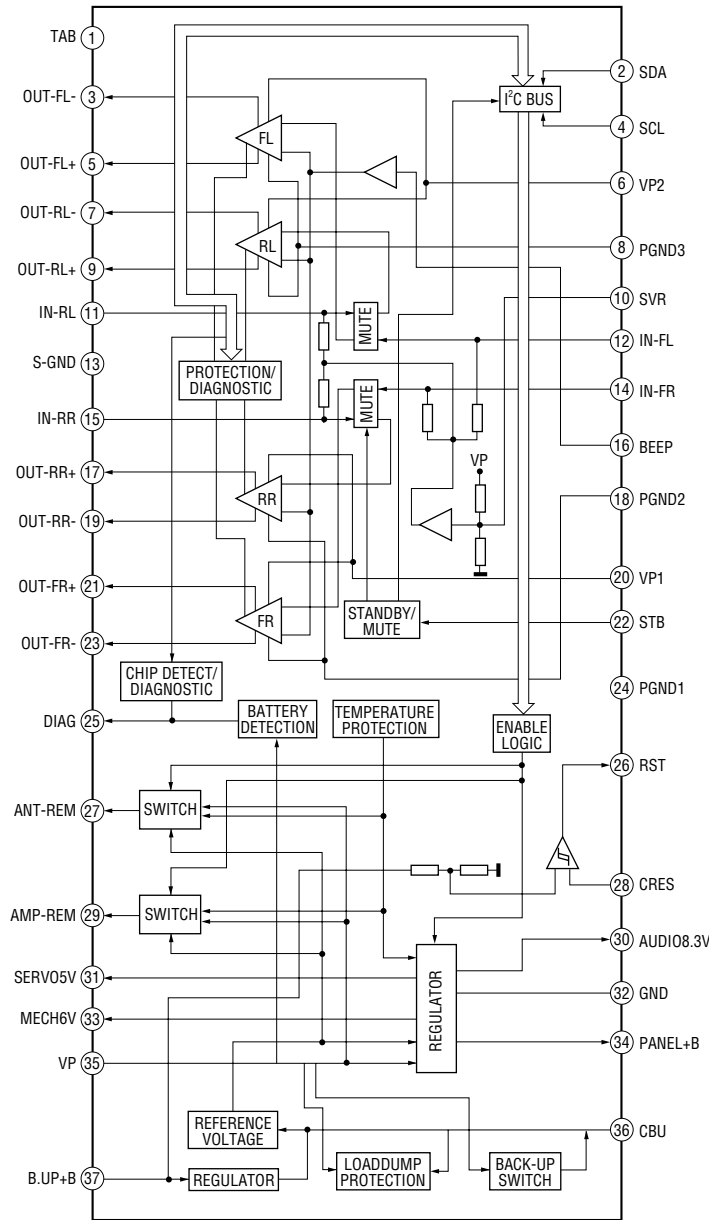


• IC BLOCK DIAGRAMS

IC401 BD3444FS-E2 (MAIN Board (1/3))



IC750 TDA8588BJ/N2/R1 (MAIN Board (2/3))



• IC PIN DESCRIPTIONS

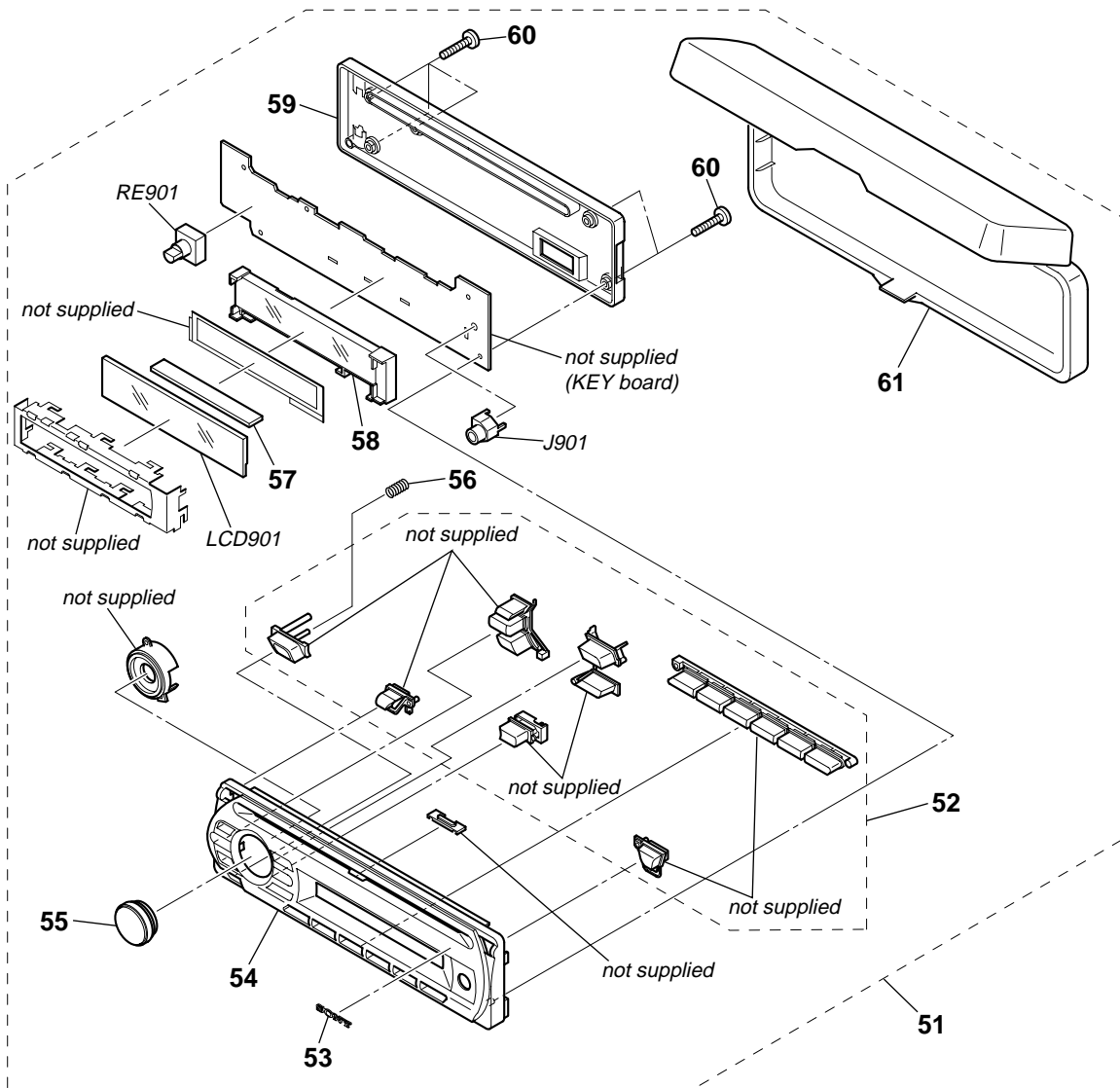
• IC501 MB90F045PF-G-9014-SPE1 (SYSTEM CONTROL) (MAIN BOARD (3/3))

Pin No.	Pin Name	I/O	Pin Description
1	AREASEL0	I	Destination setting pin
2	AREASEL1	I	Destination setting pin
3	AREASEL2	I	Frequency select signal input
4	B-OUT SEL	I	Blackout existence distinction signal input (L: blackout none, H: blackout)
5	BEEP	O	BEEP signal output
6	CYRIL_SEL	I	Distinction pin for Cyril word. (L: not for the Kiril word, H: for the Kiril word)
7	NOSE_SW	I	Front panel detaching detection signal input (L: Panel on, H: Panel off)
8	DIAG	I	Status signal input from power amplifier.
9	VOLATT	O	Electronic volume attenuate control signal output.
10	NCO	O	Not used. (Open)
11	VSS	—	Ground
12	TUATT	O	Tuner mute control signal output
13	NSMASK	O	Noise mask signal output Not used in this set. (Open)
14	ILLUMI_SEL1	I	Illumination voltage setting pin
15	ILLUMI_SEL2	I	Illumination voltage setting pin
16, 17	NCO	O	Not used. (Open)
18 to 20	NCO	O	Not used. (Open)
21, 22	NCO	O	Not used. (Open)
23	VCC5	—	Power supply (+3.3V)
24	EEP_SIO	I/O	EEPROM bus serial data input/output
25	EEP_CKO	O	EEPROM bus serial clock output
26	AMPSTB	O	Power AMP standby signal output
27	LCD_CE	O	LCD driver chip enable signal output
28	LCD_SO	O	LCD driver serial data signal output
29	LCD_SCK	O	LCD driver serial clock signal output
30	RDS ON	O	RDS ON signal output Not used in this set. (Open)
31	RE-IN0	I	Rotary encoder signal input 0
32	RE-IN1	I	Rotary encoder signal input 1
33	I2C_CKO	O	I2C bus serial clock signal output
34	I2C_SIO	I/O	I2C bus serial data signal input/output
35	DAVDD	—	A/D converter power supply (+3.3V)
36	AVRH	—	A/D converter external reference power supply (+3.3V)
37	DAVSS	—	A/D converter Ground
38	QUALITY	I	Noise detect signal input
39	VSM	I	S-meter voltage detect signal input
40	KEYIN1	I	Key signal input 1
41	KEYIN0	I	Key signal input 0
42	VSS	—	Ground
43	RC_IN0	I	Rotary commander key signal input Not used in this set. (Pull up)
44 to 48	NCO	O	Not used. (Open)
49	MD0	I	Operation mode setting pin (Pull up)
50	MD1	I	Operation mode setting pin (Pull up)
51	MD2	I	Operation mode setting pin (Pull down)
52	KEYACK	I	Key acknowledgment detect signal input
53	TU_ATTIN	I	Tuner mute zero cross detect signal input Not used in this set. (Pull down)
54	BUIN	I	Back-up power supply detect signal input
55	NCO	O	Not used. (Open)
56	DAVN	I	RDS data block synchronized detect signal input Not used in this set. (Pull down)

CDX-GT21W/GT210/GT260/GT260S

Pin No.	Pin Name	I/O	Pin Description
57	NCO	O	Not used. (Open)
58	UNISI	I	S-BUS data signal input
59	UNISO	O	S-BUS data signal output
60	UNISCK	O	S-BUS clock signal output
61	CODEC_SEL	I	Codec select signal input (H: MP3, L: non-MP3)
62	KEYSEL	I	6key/8key distinction signal input (H: 8key, L: 6key)
63	NCO	O	Not used. (Open)
64	SIRCS	I	Remote control signal input
65 to 67	NCO	O	Not used. (Open)
68	FLASH_W	I	Memory mode select signal input Not used in this set. (Pull up)
69, 70	NCO	O	Not used. (Open)
71	RC_IN1	I	Rotary commander shift key signal input Not used in this set. (Pull up)
72	ACC_IN	I	Accessory power supply detect signal input
73	TESTIN	I	Test mode detect signal input
74	TELATT	I	Telephone attenuate detect signal input Not used in this set. (Pull down)
75	NCO	O	Not used. (Open)
76	AD_ON	O	A/D converter power supply control signal output
77	RESET	I	System reset signal input
78	NCO	O	Not used. (Open)
79	XOUT	O	Sub clock signal output (32.768kHz)
80	XIN	I	Sub clock signal input (32.768kHz)
81	VSS1	—	Ground
82	OSCIN	I	Main clock signal input (18.432kHz)
83	OSCOU	O	Main clock signal output (18.432kHz)
84	VCC3	—	Power supply (+3.3 V)
85	DEMOSEL	I	DEMO select signal input (H: DEMO on, L: DEMO off)
86	ATT	O	Audio mute control signal output
87	BUSON	O	BUS ON signal output
88	SYSRST	O	System reset signal output
89	NCO	O	Not used. (Open)
90, 91	NCO	O	Not used. (Open)
92	NCO	O	Not used. (Open)
93	Z-MUTE	I	CD zero cross mute detect signal input
94, 95	NCO	O	Not used. (Open)
96	MO-DISP	I	Motion display select signal input (H: Motion display on, L: Motion display off)
97	DIM_SEL	I	Dimmer select signal input Not used in this set. (Pull down)
98	CD_ON	I	CD mechanism servo power control request signal input
99	CDM_ON	I	CD mechanism deck power control request signal input
100	COL_SW	I	Illumination color select signal input Not used in this set. (Pull down)

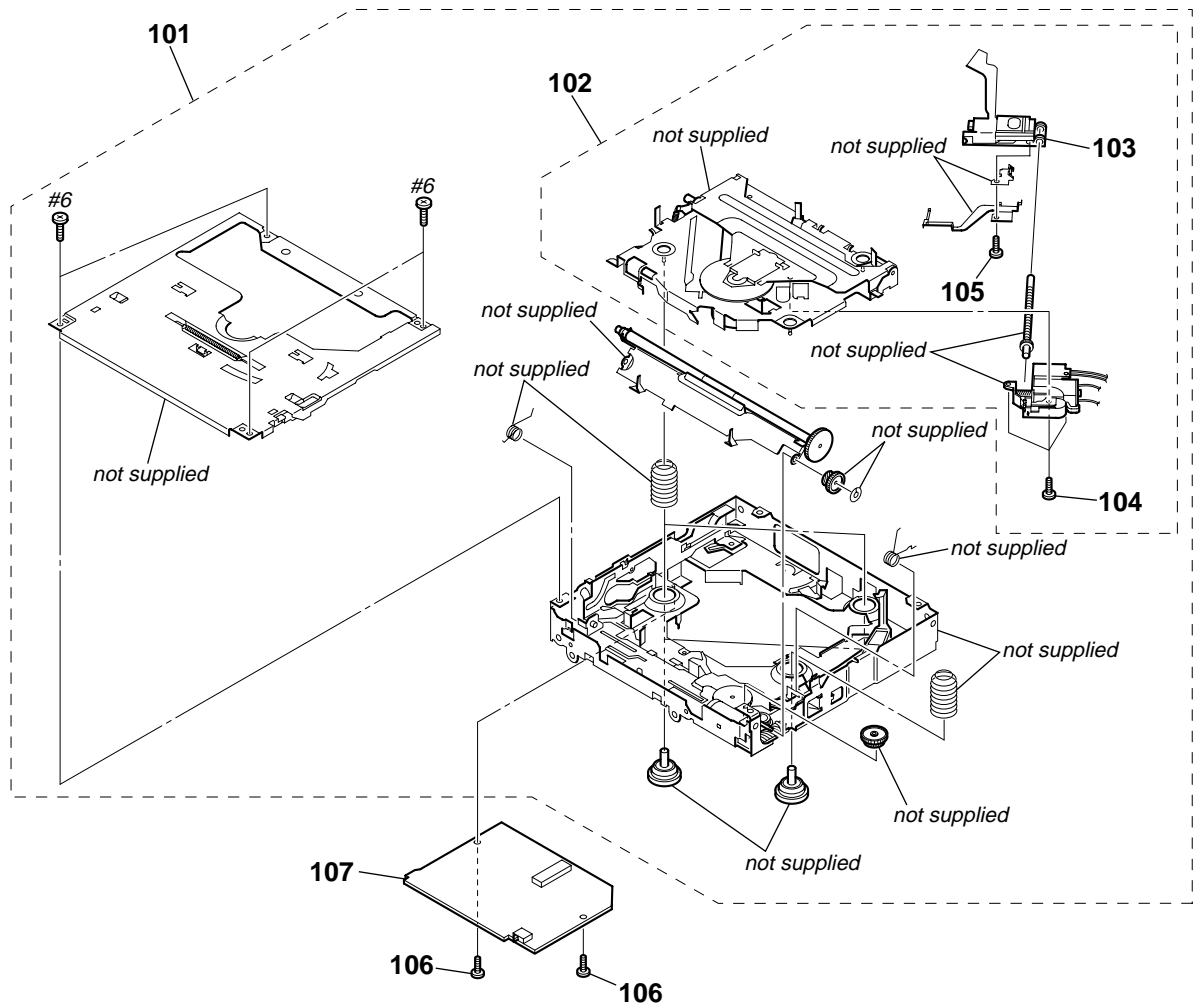
5-2. FRONT PANEL SECTION



Ref. No.	Part No.	Description	Remark	Ref. No.	Part No.	Description	Remark
51	A-1202-240-A	PANEL COMPLETE ASSY, FRONT (GT21W:US)		55	X-2148-893-1	KNOB (VOL) (SV) ASSY	
51	A-1202-248-A	PANEL COMPLETE ASSY, FRONT (GT210:US)		56	2-693-726-01	SPRING (RELEASE)	
51	A-1202-282-A	PANEL COMPLETE ASSY, FRONT (GT260)		57	1-780-433-21	CONDUCTIVE BOARD, CONNECTION	
51	A-1202-297-A	PANEL COMPLETE ASSY, FRONT (GT260S)		58	X-2148-892-1	HOLDER (LCD) ASSY	
51	A-1211-686-A	PANEL COMPLETE ASSY, FRONT (GT21W:CND)		59	2-683-832-01	PANEL (LCD), BACK	
51	A-1211-689-A	PANEL COMPLETE ASSY, FRONT (GT210:CND)		60	3-250-543-91	SCREW (+B P-TITE M2)	
52	X-2148-894-1	BUTTON ASSY (S) (GT21W/GT210/GT260)		61	X-2148-896-1	CASE ASSY (for FRONT PANEL) (EXCEPT US)	
52	X-2148-897-1	BUTTON ASSY (S) (GT260S)		J901	1-820-624-11	JACK (SMALL TYPE) (VERTICAL) (AUX)	
53	3-251-320-01	EMBLEM (NO. 2.5), SONY		LCD901	1-802-231-11	DISPLAY PANEL, LIQUID CRYSTAL	(GT260/GT260S)
54	X-2148-871-1	PANEL SUB ASSY, FRONT (GT21W)		LCD901	1-802-232-11	DISPLAY PANEL, LIQUID CRYSTAL	(GT21W/GT210)
54	X-2148-873-1	PANEL SUB ASSY, FRONT (GT210)		RE901	1-479-902-11	ENCODER, ROTARY (PUSH SELECT (VOLUME))	
54	X-2148-876-1	PANEL SUB ASSY, FRONT (GT260)					
54	X-2148-877-1	PANEL SUB ASSY, FRONT (GT260S)					

5-3. CD MECHANISM SECTION
(MG-101TA-188//Q)

NOTE: Refer to SUPPLEMENT-1 for disassembly of OPTICAL PICK-UP.



Ref. No.	Part No.	Description	Remark	Ref. No.	Part No.	Description	Remark
101	A-1177-168-A	MECHANICAL BLOCK ASSY		105	3-348-998-31	SCREW (M1.4X2.5), TAPPING, PAN	
102	A-1177-169-A	DAXEV//Q		106	3-352-758-31	SCREW (M1.7X2.5), TOOTHED LOCK	
△103	X-2149-672-1	SERVICE ASSY, OP (DAX-25A)		107	A-1177-201-A	SERVO BOARD, COMPLETE	
104	2-626-869-01	SCREW (M2X3), SERRATION		#6	7-627-000-08	SCREW, PRECISION +P 1.7X2.2 TYPE3	

SECTION 6
ELECTRICAL PARTS LIST

KEY

NOTE:

- Due to standardization, replacements in the parts list may be different from the parts specified in the diagrams or the components used on the set.
- -XX and -X mean standardized parts, so they may have some difference from the original one.
- RESISTORS
All resistors are in ohms.
METAL: Metal-film resistor.
METAL OXIDE: Metal oxide-film resistor.
F: nonflammable
- Abbreviation
CND : Canadian model
- Items marked “*” are not stocked since they are seldom required for routine service. Some delay should be anticipated when ordering these items.
- SEMICONDUCTORS
In each case, u : μ , for example:
uA.. : μ A.. uPA.. : μ PA..
uPB.. : μ PB.. uPC.. : μ PC.. uPD.. : μ PD..
- CAPACITORS
uF : μ F
- COILS
uH : μ H

The components identified by mark Δ or dotted line with mark Δ are critical for safety. Replace only with part number specified.

Les composants identifiés par une marque Δ sont critiques pour la sécurité. Ne les remplacer que par une pièce portant le numéro spécifié.

When indicating parts by reference number, please include the board.

Ref. No.	Part No.	Description	Remark
		KEY BOARD *****	
	1-780-433-21	CONDUCTIVE BOARD, CONNECTION < CAPACITOR >	
C971	1-107-826-11	CERAMIC CHIP 0.1uF 10% 16V (GT260/GT260S)	
C981	1-107-826-11	CERAMIC CHIP 0.1uF 10% 16V	
C983	1-107-826-11	CERAMIC CHIP 0.1uF 10% 16V	
C984	1-107-826-11	CERAMIC CHIP 0.1uF 10% 16V	
C985	1-131-664-11	CERAMIC CHIP 0.15uF 10% 10V	
C986	1-127-715-11	CERAMIC CHIP 0.22uF 10% 16V	
C987	1-162-964-11	CERAMIC CHIP 0.001uF 10% 50V	
		< CONNECTOR >	
CN901	1-819-758-12	PLUG, CONNECTOR 15P < DIODE >	
D903	6-501-180-01	DIODE UDZW-TE17-18B	
D981	6-501-167-01	DIODE UDZW-TE17-5.1B	
D982	6-501-193-01	DIODE 1SS355WTE-17	
D991	8-719-978-33	DIODE DTZ-TT11-6.8B	
D992	8-719-978-33	DIODE DTZ-TT11-6.8B	
D993	8-719-978-33	DIODE DTZ-TT11-6.8B	
D994	8-719-978-33	DIODE DTZ-TT11-6.8B (GT260/GT260S)	
		< JUMPER RESISTOR >	
FB901	1-216-864-11	SHORT CHIP 0	
FB902	1-216-864-11	SHORT CHIP 0	
FB903	1-216-295-11	SHORT CHIP 0	
		< IC >	
IC901	6-710-047-01	IC LC75836WH-US-E	
IC971	6-600-163-01	IC RS-770 (IR) (GT260/GT260S)	
		< LIQUID CRYSTAL DISPLAY >	
LCD901	1-802-231-11	DISPLAY PANEL, LIQUID CRYSTAL (GT260/GT260S)	
LCD901	1-802-232-11	DISPLAY PANEL, LIQUID CRYSTAL (GT21W/GT210)	
		< LED >	
LED861	8-719-078-21	LED SML-310PTT86 (Δ) (GT21W/GT210)	
LED862	8-719-078-21	LED SML-310PTT86 (DISC-SLOT) (GT21W/GT210)	

Ref. No.	Part No.	Description	Remark
LED863	8-719-078-21	LED SML-310PTT86 (OFF) (GT21W/GT210)	
LED864	8-719-078-21	LED SML-310PTT86 (SOURCE) (GT21W/GT210)	
LED865	8-719-078-21	LED SML-310PTT86 (MODE) (GT21W/GT210)	
LED871	8-719-078-21	LED SML-310PTT86 (VOLUME ILLUMINATE) (GT21W/GT210)	
LED872	8-719-078-21	LED SML-310PTT86 (VOLUME ILLUMINATE) (GT21W/GT210)	
LED873	8-719-078-21	LED SML-310PTT86 (VOLUME ILLUMINATE) (GT21W/GT210)	
LED874	8-719-078-21	LED SML-310PTT86 (VOLUME ILLUMINATE) (GT21W/GT210)	
LED931	6-501-339-01	LED NESW505CT-AST (LCD BACK LIGHT)	
LED941	8-719-053-09	LED SML-310VTT86 (Δ) (GT260/GT260S)	
LED942	8-719-053-09	LED SML-310VTT86 (DISC-SLOT) (GT260/GT260S)	
LED943	8-719-053-09	LED SML-310VTT86 (OFF) (GT260/GT260S)	
LED944	8-719-053-09	LED SML-310VTT86 (SOURCE) (GT260/GT260S)	
LED945	8-719-053-09	LED SML-310VTT86 (MODE) (GT260/GT260S)	
LED951	8-719-053-09	LED SML-310VTT86 (VOLUME ILLUMINATE) (GT260/GT260S)	
LED952	8-719-053-09	LED SML-310VTT86 (VOLUME ILLUMINATE) (GT260/GT260S)	
LED953	8-719-053-09	LED SML-310VTT86 (VOLUME ILLUMINATE) (GT260/GT260S)	
		< SWITCH >	
LSW901	1-786-805-12	SWITCH, TACTILE (WITH LED) (EQ) (GT260/GT260S)	
LSW901	1-786-806-12	SWITCH, TACTILE (WITH LED) (EQ) (GT21W/GT210)	
LSW902	1-786-805-12	SWITCH, TACTILE (WITH LED) (DSPL/DIM) (GT260/GT260S)	
LSW902	1-786-806-12	SWITCH, TACTILE (WITH LED) (DSPL/DIM) (GT21W/GT210)	
LSW903	1-786-805-12	SWITCH, TACTILE (WITH LED) ($\blacktriangleright\blacktriangleright\blacktriangleright$ /SEEK+) (GT260/GT260S)	
LSW903	1-786-806-12	SWITCH, TACTILE (WITH LED) ($\blacktriangleright\blacktriangleright\blacktriangleright$ /SEEK+) (GT21W/GT210)	
LSW904	1-786-805-12	SWITCH, TACTILE (WITH LED) ($\blacktriangleleft\blacktriangleleft\blacktriangleleft$ /SEEK-) (GT260/GT260S)	
LSW904	1-786-806-12	SWITCH, TACTILE (WITH LED) ($\blacktriangleleft\blacktriangleleft\blacktriangleleft$ /SEEK-) (GT21W/GT210)	
LSW905	1-786-805-12	SWITCH, TACTILE (WITH LED) (1/ALBM -) (GT260/GT260S)	
LSW905	1-786-806-12	SWITCH, TACTILE (WITH LED) (1/ALBM -) (GT21W/GT210)	

Ref. No.	Part No.	Description	Remark	Ref. No.	Part No.	Description	Remark
LSW906	1-786-805-12	SWITCH, TACTILE (WITH LED) (2/ALBM +) (GT260/GT260S)		R941	1-216-813-11	METAL CHIP 220	5% 1/10W (GT260/GT260S)
LSW906	1-786-806-12	SWITCH, TACTILE (WITH LED) (2/ALBM +) (GT21W/GT210)		R942	1-216-813-11	METAL CHIP 220	5% 1/10W (GT260/GT260S)
LSW907	1-786-805-12	SWITCH, TACTILE (WITH LED) (3/REP) (GT260/GT260S)		R943	1-216-811-11	METAL CHIP 150	5% 1/10W (GT21W/GT210)
LSW907	1-786-806-12	SWITCH, TACTILE (WITH LED) (3/REP) (GT21W/GT210)		R943	1-216-812-11	METAL CHIP 180	5% 1/10W (GT260/GT260S)
LSW908	1-786-805-12	SWITCH, TACTILE (WITH LED) (4/SHUF) (GT260/GT260S)		R944	1-216-810-11	METAL CHIP 120	5% 1/10W (GT21W/GT210)
LSW908	1-786-806-12	SWITCH, TACTILE (WITH LED) (4/SHUF) (GT21W/GT210)		R944	1-216-811-11	METAL CHIP 150	5% 1/10W (GT260/GT260S)
LSW909	1-786-805-12	SWITCH, TACTILE (WITH LED) (5) (GT260/GT260S)		R945	1-216-812-11	METAL CHIP 180	5% 1/10W (GT260/GT260S)
LSW909	1-786-806-12	SWITCH, TACTILE (WITH LED) (5) (GT21W/GT210)		R946	1-216-811-11	METAL CHIP 150	5% 1/10W (GT260/GT260S)
LSW910	1-786-805-12	SWITCH, TACTILE (WITH LED) (6/PAUSE) (GT260/GT260S)		R947	1-216-811-11	METAL CHIP 150	5% 1/10W (GT21W/GT210)
LSW910	1-786-806-12	SWITCH, TACTILE (WITH LED) (6/PAUSE) (GT21W/GT210)		R947	1-216-812-11	METAL CHIP 180	5% 1/10W (GT260/GT260S)
< TRANSISTOR >				R948	1-216-810-11	METAL CHIP 120	5% 1/10W (GT21W/GT210)
Q931	8-729-027-44	TRANSISTOR DTC114TKA-T146		R948	1-216-811-11	METAL CHIP 150	5% 1/10W (GT260/GT260S)
Q932	6-551-444-01	TRANSISTOR RT1N436C-TP-1		R949	1-216-807-11	METAL CHIP 68	5% 1/10W (GT21W/GT210)
< RESISTOR >				R949	1-216-809-11	METAL CHIP 100	5% 1/10W (GT260/GT260S)
R861	1-216-810-11	METAL CHIP 120	5% 1/10W (GT21W/GT210)	R950	1-216-807-11	METAL CHIP 68	5% 1/10W (GT21W/GT210)
R862	1-216-810-11	METAL CHIP 120	5% 1/10W (GT21W/GT210)	R950	1-216-809-11	METAL CHIP 100	5% 1/10W (GT260/GT260S)
R865	1-216-811-11	METAL CHIP 150	5% 1/10W (GT21W/GT210)	R951	1-216-807-11	METAL CHIP 68	5% 1/10W (GT21W/GT210)
R866	1-216-810-11	METAL CHIP 120	5% 1/10W (GT21W/GT210)	R951	1-216-809-11	METAL CHIP 100	5% 1/10W (GT260/GT260S)
R881	1-216-811-11	METAL CHIP 150	5% 1/10W (GT21W/GT210)	R952	1-216-807-11	METAL CHIP 68	5% 1/10W (GT21W/GT210)
R882	1-216-810-11	METAL CHIP 120	5% 1/10W (GT21W/GT210)	R952	1-216-809-11	METAL CHIP 100	5% 1/10W (GT260/GT260S)
R883	1-216-811-11	METAL CHIP 150	5% 1/10W (GT21W/GT210)	R961	1-216-809-11	METAL CHIP 100	5% 1/10W (GT260/GT260S)
R884	1-216-810-11	METAL CHIP 120	5% 1/10W (GT21W/GT210)	R962	1-216-809-11	METAL CHIP 100	5% 1/10W (GT260/GT260S)
R901	1-216-820-11	METAL CHIP 820	5% 1/10W	R974	1-216-809-11	METAL CHIP 100	5% 1/10W (GT260/GT260S)
R902	1-216-821-11	METAL CHIP 1K	5% 1/10W	R975	1-216-809-11	METAL CHIP 100	5% 1/10W (GT260/GT260S)
R903	1-216-821-11	METAL CHIP 1K	5% 1/10W	R977	1-216-809-11	METAL CHIP 100	5% 1/10W (GT260/GT260S)
R904	1-216-822-11	METAL CHIP 1.2K	5% 1/10W	R978	1-216-809-11	METAL CHIP 100	5% 1/10W
R905	1-216-823-11	METAL CHIP 1.5K	5% 1/10W	R979	1-216-809-11	METAL CHIP 100	5% 1/10W
R907	1-216-820-11	METAL CHIP 820	5% 1/10W	R981	1-216-811-11	METAL CHIP 150	5% 1/10W
R908	1-216-821-11	METAL CHIP 1K	5% 1/10W	R982	1-216-811-11	METAL CHIP 150	5% 1/10W
R909	1-216-821-11	METAL CHIP 1K	5% 1/10W	R984	1-216-821-11	METAL CHIP 1K	5% 1/10W
R910	1-216-822-11	METAL CHIP 1.2K	5% 1/10W	R985	1-216-821-11	METAL CHIP 1K	5% 1/10W
R911	1-216-823-11	METAL CHIP 1.5K	5% 1/10W	R986	1-216-821-11	METAL CHIP 1K	5% 1/10W
R912	1-216-824-11	METAL CHIP 1.8K	5% 1/10W	R987	1-216-857-11	METAL CHIP 1M	5% 1/10W
R913	1-216-825-11	METAL CHIP 2.2K	5% 1/10W	R988	1-216-840-11	METAL CHIP 39K	5% 1/10W
R914	1-216-827-11	METAL CHIP 3.3K	5% 1/10W	R992	1-216-864-11	SHORT CHIP 0	
R921	1-216-295-11	SHORT CHIP 0		R993	1-216-864-11	SHORT CHIP 0	
R922	1-216-295-11	SHORT CHIP 0					
R931	1-216-812-11	METAL CHIP 180	5% 1/10W				
R932	1-216-812-11	METAL CHIP 180	5% 1/10W				
R933	1-216-812-11	METAL CHIP 180	5% 1/10W				
R934	1-216-822-11	METAL CHIP 1.2K	5% 1/10W				

CDX-GT21W/GT210/GT260/GT260S

KEY **MAIN**

Ref. No.	Part No.	Description	Remark
		< ROTARY ENCODER >	
RE901	1-479-902-11	ENCODER, ROTARY (PUSH SELECT (VOLUME))	
		< SWITCH >	
S901	1-786-653-11	SWITCH, TACTILE (▲)	
S902	1-786-653-11	SWITCH, TACTILE (OFF)	
S903	1-786-653-11	SWITCH, TACTILE (SOURCE)	
S904	1-786-653-11	SWITCH, TACTILE (MODE)	

	A-1202-238-A	MAIN BOARD, COMPLETE (GT21W/GT210)	
	A-1202-280-A	MAIN BOARD, COMPLETE (GT260/GT260S)	

	7-685-134-19	SCREW +P 2.6X8 TYPE2 NON-SLIT	
	7-685-793-09	SCREW +PTT 2.6X8 (S)	
	7-685-795-09	SCREW +PTT 2.6X12 (S)	
		< CAPACITOR >	
C4	1-126-947-11	ELECT	47uF 20% 35V
C5	1-126-947-11	ELECT	47uF 20% 35V
C6	1-162-970-11	CERAMIC CHIP	0.01uF 10% 25V
C7	1-162-970-11	CERAMIC CHIP	0.01uF 10% 25V
C8	1-107-826-11	CERAMIC CHIP	0.1uF 10% 16V
C12	1-162-970-11	CERAMIC CHIP	0.01uF 10% 25V
C13	1-162-970-11	CERAMIC CHIP	0.01uF 10% 25V
C301	1-124-248-00	ELECT	22uF 20% 25V
C302	1-124-584-00	ELECT	100uF 20% 10V
C305	1-124-584-00	ELECT	100uF 20% 10V
C306	1-162-970-11	CERAMIC CHIP	0.01uF 10% 25V
C308	1-162-970-11	CERAMIC CHIP	0.01uF 10% 25V
C309	1-162-966-11	CERAMIC CHIP	0.0022uF 10% 50V
C310	1-162-966-11	CERAMIC CHIP	0.0022uF 10% 50V
C312	1-162-970-11	CERAMIC CHIP	0.01uF 10% 25V
C343	1-162-970-11	CERAMIC CHIP	0.01uF 10% 25V
C401	1-126-964-11	ELECT	10uF 20% 50V
C404	1-127-715-11	CERAMIC CHIP	0.22uF 10% 16V
C405	1-127-715-11	CERAMIC CHIP	0.22uF 10% 16V
C406	1-126-160-11	ELECT	1uF 20% 50V
C407	1-126-160-11	ELECT	1uF 20% 50V
C412	1-126-934-11	ELECT	220uF 20% 16V
C413	1-162-970-11	CERAMIC CHIP	0.01uF 10% 25V
C422	1-216-864-11	SHORT CHIP	0
C423	1-216-864-11	SHORT CHIP	0
C431	1-126-964-11	ELECT	10uF 20% 50V
C432	1-165-908-11	CERAMIC CHIP	1uF 10% 10V
C435	1-165-908-11	CERAMIC CHIP	1uF 10% 10V
C441	1-126-964-11	ELECT	10uF 20% 50V
C442	1-165-908-11	CERAMIC CHIP	1uF 10% 10V
C445	1-165-908-11	CERAMIC CHIP	1uF 10% 10V
C451	1-126-964-11	ELECT	10uF 20% 50V
C452	1-165-908-11	CERAMIC CHIP	1uF 10% 10V
C455	1-165-908-11	CERAMIC CHIP	1uF 10% 10V
C461	1-126-964-11	ELECT	10uF 20% 50V
C462	1-165-908-11	CERAMIC CHIP	1uF 10% 10V
C465	1-165-908-11	CERAMIC CHIP	1uF 10% 10V
C479	1-124-589-11	ELECT	47uF 20% 16V
C501	1-162-970-11	CERAMIC CHIP	0.01uF 10% 25V
C503	1-124-584-00	ELECT	100uF 20% 10V

Ref. No.	Part No.	Description	Remark
C504	1-162-970-11	CERAMIC CHIP	0.01uF 10% 25V
C507	1-162-917-11	CERAMIC CHIP	15PF 5% 50V
C508	1-162-917-11	CERAMIC CHIP	15PF 5% 50V
C509	1-162-966-11	CERAMIC CHIP	0.0022uF 10% 50V
C510	1-162-970-11	CERAMIC CHIP	0.01uF 10% 25V
C511	1-124-584-00	ELECT	100uF 20% 10V
C512	1-162-964-11	CERAMIC CHIP	0.001uF 10% 50V
C513	1-162-964-11	CERAMIC CHIP	0.001uF 10% 50V
C514	1-162-964-11	CERAMIC CHIP	0.001uF 10% 50V
C516	1-162-964-11	CERAMIC CHIP	0.001uF 10% 50V
C519	1-107-826-11	CERAMIC CHIP	0.1uF 10% 16V
C522	1-162-970-11	CERAMIC CHIP	0.01uF 10% 25V
C523	1-162-970-11	CERAMIC CHIP	0.01uF 10% 25V
C601	1-131-868-81	ELECT	3300uF 20% 16V
C602	1-165-319-11	CERAMIC CHIP	0.1uF 10% 50V
C617	1-163-009-11	CERAMIC CHIP	0.001uF 10% 50V
C622	1-126-916-11	ELECT	1000uF 20% 6.3V
C623	1-126-916-11	ELECT	1000uF 20% 6.3V
C631	1-126-160-11	ELECT	1uF 20% 50V
C750	1-115-340-11	CERAMIC CHIP	0.22uF 10% 25V
C751	1-115-340-11	CERAMIC CHIP	0.22uF 10% 25V
C753	1-128-551-11	ELECT	22uF 20% 63V
C754	1-124-257-00	ELECT	2.2uF 20% 50V
C755	1-162-964-11	CERAMIC CHIP	0.001uF 10% 50V
C756	1-127-715-11	CERAMIC CHIP	0.22uF 10% 16V
C758	1-124-261-00	ELECT	10uF 20% 50V
C763	1-127-715-11	CERAMIC CHIP	0.22uF 10% 16V
C764	1-115-340-11	CERAMIC CHIP	0.22uF 10% 25V
C765	1-115-340-11	CERAMIC CHIP	0.22uF 10% 25V
C769	1-127-715-11	CERAMIC CHIP	0.22uF 10% 16V
C770	1-127-715-11	CERAMIC CHIP	0.22uF 10% 16V
C771	1-127-715-11	CERAMIC CHIP	0.22uF 10% 16V
C774	1-115-340-11	CERAMIC CHIP	0.22uF 10% 25V
C775	1-115-340-11	CERAMIC CHIP	0.22uF 10% 25V
C776	1-162-964-11	CERAMIC CHIP	0.001uF 10% 50V
C901	1-109-982-11	CERAMIC CHIP	1uF 10% 10V
C902	1-109-982-11	CERAMIC CHIP	1uF 10% 10V
C903	1-126-961-11	ELECT	2.2uF 20% 50V
C905	1-162-970-11	CERAMIC CHIP	0.01uF 10% 25V
C917	1-163-017-00	CERAMIC CHIP	0.0047uF 10% 50V
C918	1-163-017-00	CERAMIC CHIP	0.0047uF 10% 50V
		< CONNECTOR >	
CN601	1-774-701-21	PIN, CONNECTOR 16P	
CN701	1-819-773-13	SOCKET, CONNECTOR 15P	
CNP301	1-820-611-11	CONNECTOR, BOARD TO BOARD 28P	
		< DIODE >	
D1	6-501-168-01	DIODE UDZW-TE17-5.6B	
D479	6-501-193-01	DIODE 1SS355WTE-17	
D502	8-719-060-48	DIODE RB751V-40TE-17 (GT260/GT260S)	
D503	6-501-193-01	DIODE 1SS355WTE-17	
D510	6-501-013-01	DIODE BAT54ALT1G	
D511	6-500-335-01	DIODE MC2838-T112-1	
D512	6-501-051-01	DIODE BAT54CLT1G	
D580	6-501-171-01	DIODE UDZW-TE17-7.5B	
D581	6-501-180-01	DIODE UDZW-TE17-18B	
D601	8-719-049-38	DIODE 1N5404TU	

Ref. No.	Part No.	Description	Remark	Ref. No.	Part No.	Description	Remark
D609	6-501-170-01	DIODE UDZW-TE17-6.8B				< RESISTOR >	
D617	6-501-180-01	DIODE UDZW-TE17-18B					
D704	6-501-170-01	DIODE UDZW-TE17-6.8B		JW52	1-249-425-11	CARBON 4.7K 5%	1/4W
D719	6-501-180-01	DIODE UDZW-TE17-18B				< COIL >	
D751	6-501-362-01	DIODE 1A4-TA26					
D752	6-501-362-01	DIODE 1A4-TA26		L1	1-469-844-11	INDUCTOR 2.2uH	
D753	6-501-362-01	DIODE 1A4-TA26		L301	1-216-295-11	SHORT CHIP 0	
D754	6-501-362-01	DIODE 1A4-TA26		L501	1-216-295-11	SHORT CHIP 0	
D755	6-501-362-01	DIODE 1A4-TA26		L601	1-456-617-11	COIL, CHOKE	
D756	6-501-362-01	DIODE 1A4-TA26				< TRANSISTOR >	
D757	6-501-362-01	DIODE 1A4-TA26					
D758	6-501-362-01	DIODE 1A4-TA26		Q1	6-551-431-01	TRANSISTOR 2SC6027T100-QR	
D760	6-501-362-01	DIODE 1A4-TA26		Q431	8-729-027-44	TRANSISTOR DTC114TKA-T146	
D762	6-501-362-01	DIODE 1A4-TA26		Q441	8-729-027-44	TRANSISTOR DTC114TKA-T146	
D903	6-501-170-01	DIODE UDZW-TE17-6.8B		Q451	8-729-027-44	TRANSISTOR DTC114TKA-T146	
		< FERRITE BEAD >		Q461	8-729-027-44	TRANSISTOR DTC114TKA-T146	
FB1	1-500-245-11	INDUCTOR, FERRITE BEAD		Q478	8-729-027-43	TRANSISTOR DTC114EKA-T146	
FB302	1-216-864-11	SHORT CHIP 0		Q479	8-729-027-23	TRANSISTOR DTA114EKA-T146	
FB303	1-216-864-11	SHORT CHIP 0		Q580	8-729-027-43	TRANSISTOR DTC114EKA-T146	
FB304	1-216-295-11	SHORT CHIP 0		Q581	1-801-806-11	TRANSISTOR DTC144EKA	
FB305	1-216-295-11	SHORT CHIP 0		Q582	8-729-120-28	TRANSISTOR 2SC1623-L5L6	
FB307	1-216-864-11	SHORT CHIP 0		Q631	8-729-120-28	TRANSISTOR 2SC1623-L5L6	
FB308	1-216-295-11	SHORT CHIP 0		Q664	8-729-027-23	TRANSISTOR DTA114EKA-T146	
FB309	1-216-864-11	SHORT CHIP 0				< RESISTOR >	
FB310	1-216-864-11	SHORT CHIP 0		R1	1-216-821-11	METAL CHIP 1K 5%	1/10W
FB501	1-216-295-11	SHORT CHIP 0		R2	1-414-595-11	INDUCTOR, FERRITE BEAD	
FB604	1-500-245-11	INDUCTOR, FERRITE BEAD		R3	1-414-595-11	INDUCTOR, FERRITE BEAD	
FB605	1-216-864-11	SHORT CHIP 0		R4	1-216-839-11	METAL CHIP 33K 5%	1/10W
FB606	1-216-864-11	SHORT CHIP 0		R5	1-216-843-11	METAL CHIP 68K 5%	1/10W
		< FUSE >		R8	1-216-839-11	METAL CHIP 33K 5%	1/10W
FU601	1-532-877-11	FUSE (BLADE TYPE) (AUTO FUSE) 10A		R9	1-216-843-11	METAL CHIP 68K 5%	1/10W
		< IC >		R12	1-414-595-11	INDUCTOR, FERRITE BEAD	
IC401	6-710-048-01	IC BD3444FS-E2		R13	1-414-595-11	INDUCTOR, FERRITE BEAD	
IC501	6-806-944-01	IC MB90F045PF-G-9014-SPE1		R301	1-216-821-11	METAL CHIP 1K 5%	1/10W
IC602	6-709-458-01	IC XC61CN2802NR		R302	1-216-821-11	METAL CHIP 1K 5%	1/10W
IC750	6-705-360-02	IC TDA8588BJ/N2/R1		R401	1-216-797-11	METAL CHIP 10 5%	1/10W
IC901	8-759-681-42	IC NJM12902V(TE2)		R402	1-216-864-11	SHORT CHIP 0	
		< JACK >		R403	1-216-864-11	SHORT CHIP 0	
J1	1-815-185-13	JACK (ANTENNA)		R406	1-216-809-11	METAL CHIP 100 5%	1/10W
		< JUMPER RESISTOR >		R407	1-216-809-11	METAL CHIP 100 5%	1/10W
JC1	1-216-864-11	SHORT CHIP 0		R408	1-216-809-11	METAL CHIP 100 5%	1/10W
JC501	1-216-864-11	SHORT CHIP 0		R409	1-216-809-11	METAL CHIP 100 5%	1/10W
JC504	1-216-864-11	SHORT CHIP 0		R431	1-216-821-11	METAL CHIP 1K 5%	1/10W
JC527	1-216-821-11	METAL CHIP 1K 5%	1/10W	R432	1-216-833-11	METAL CHIP 10K 5%	1/10W
JC533	1-216-864-11	SHORT CHIP 0		R441	1-216-821-11	METAL CHIP 1K 5%	1/10W
JC681	1-216-864-11	SHORT CHIP 0		R442	1-216-833-11	METAL CHIP 10K 5%	1/10W
JC753	1-216-296-11	SHORT CHIP 0		R451	1-216-821-11	METAL CHIP 1K 5%	1/10W
JC754	1-216-296-11	SHORT CHIP 0		R452	1-216-833-11	METAL CHIP 10K 5%	1/10W
JC755	1-216-296-11	SHORT CHIP 0		R461	1-216-821-11	METAL CHIP 1K 5%	1/10W
JC756	1-216-864-11	SHORT CHIP 0		R462	1-216-833-11	METAL CHIP 10K 5%	1/10W
JC795	1-216-864-11	SHORT CHIP 0		R479	1-216-805-11	METAL CHIP 47 5%	1/10W
JC796	1-216-864-11	SHORT CHIP 0		R502	1-216-821-11	METAL CHIP 1K 5%	1/10W
				R503	1-216-821-11	METAL CHIP 1K 5%	1/10W
				R504	1-218-871-11	METAL CHIP 10K 0.5%	1/10W
				R505	1-218-871-11	METAL CHIP 10K 0.5%	1/10W
				R506	1-216-845-11	METAL CHIP 100K 5%	1/10W
				R507	1-216-845-11	METAL CHIP 100K 5%	1/10W

CDX-GT21W/GT210/GT260/GT260S

MAIN **SERVO**

Ref. No.	Part No.	Description	Remark
R508	1-216-864-11	SHORT CHIP	0
R509	1-216-812-11	METAL CHIP	180 5% 1/10W
R510	1-216-821-11	METAL CHIP	1K 5% 1/10W
R511	1-216-821-11	METAL CHIP	1K 5% 1/10W
R512	1-216-821-11	METAL CHIP	1K 5% 1/10W
R513	1-216-845-11	METAL CHIP	100K 5% 1/10W
R514	1-216-845-11	METAL CHIP	100K 5% 1/10W
R517	1-216-841-11	METAL CHIP	47K 5% 1/10W
R518	1-216-864-11	SHORT CHIP	0
R519	1-216-845-11	METAL CHIP	100K 5% 1/10W
R521	1-216-825-11	METAL CHIP	2.2K 5% 1/10W
R522	1-216-825-11	METAL CHIP	2.2K 5% 1/10W
R524	1-216-845-11	METAL CHIP	100K 5% 1/10W
R526	1-216-845-11	METAL CHIP	100K 5% 1/10W
R527	1-216-845-11	METAL CHIP	100K 5% 1/10W
R528	1-216-845-11	METAL CHIP	100K 5% 1/10W
R529	1-216-821-11	METAL CHIP	1K 5% 1/10W
R531	1-216-845-11	METAL CHIP	100K 5% 1/10W
R532	1-216-845-11	METAL CHIP	100K 5% 1/10W
R533	1-216-845-11	METAL CHIP	100K 5% 1/10W
R534	1-216-833-11	METAL CHIP	10K 5% 1/10W
R535	1-216-833-11	METAL CHIP	10K 5% 1/10W
R536	1-216-833-11	METAL CHIP	10K 5% 1/10W
R537	1-216-845-11	METAL CHIP	100K 5% 1/10W
R538	1-216-845-11	METAL CHIP	100K 5% 1/10W (GT260/GT260S) (GT21W/GT210)
R539	1-216-845-11	METAL CHIP	100K 5% 1/10W
R540	1-216-845-11	METAL CHIP	100K 5% 1/10W
R541	1-216-845-11	METAL CHIP	100K 5% 1/10W
R542	1-216-864-11	SHORT CHIP	0
R543	1-216-821-11	METAL CHIP	1K 5% 1/10W
R544	1-216-821-11	METAL CHIP	1K 5% 1/10W
R545	1-216-845-11	METAL CHIP	100K 5% 1/10W
R546	1-216-845-11	METAL CHIP	100K 5% 1/10W (GT260/GT260S) (GT260/GT260S)
R547	1-216-864-11	SHORT CHIP	0
R548	1-216-845-11	METAL CHIP	100K 5% 1/10W (GT260/GT260S)
R550	1-216-845-11	METAL CHIP	100K 5% 1/10W (GT21W/GT210)
R551	1-216-845-11	METAL CHIP	100K 5% 1/10W (GT21W/GT210)
R556	1-216-833-11	METAL CHIP	10K 5% 1/10W
R557	1-216-825-11	METAL CHIP	2.2K 5% 1/10W
R558	1-216-821-11	METAL CHIP	1K 5% 1/10W
R561	1-216-845-11	METAL CHIP	100K 5% 1/10W
R563	1-216-845-11	METAL CHIP	100K 5% 1/10W
R565	1-216-845-11	METAL CHIP	100K 5% 1/10W
R566	1-216-845-11	METAL CHIP	100K 5% 1/10W
R567	1-216-845-11	METAL CHIP	100K 5% 1/10W
R568	1-216-821-11	METAL CHIP	1K 5% 1/10W
R570	1-216-817-11	METAL CHIP	470 5% 1/10W
R575	1-216-845-11	METAL CHIP	100K 5% 1/10W
R577	1-216-845-11	METAL CHIP	100K 5% 1/10W
R578	1-216-821-11	METAL CHIP	1K 5% 1/10W
R582	1-216-821-11	METAL CHIP	1K 5% 1/10W
R583	1-216-821-11	METAL CHIP	1K 5% 1/10W

Ref. No.	Part No.	Description	Remark
R584	1-216-841-11	METAL CHIP	47K 5% 1/10W
R585	1-216-849-11	METAL CHIP	220K 5% 1/10W
R601	1-216-845-11	METAL CHIP	100K 5% 1/10W
R609	1-216-829-11	METAL CHIP	4.7K 5% 1/10W
R631	1-249-425-11	CARBON	4.7K 5% 1/4W
R632	1-216-841-11	METAL CHIP	47K 5% 1/10W
R633	1-216-841-11	METAL CHIP	47K 5% 1/10W
R634	1-216-829-11	METAL CHIP	4.7K 5% 1/10W
R636	1-216-845-11	METAL CHIP	100K 5% 1/10W
R661	1-216-821-11	METAL CHIP	1K 5% 1/10W
R662	1-216-833-11	METAL CHIP	10K 5% 1/10W
R663	1-216-821-11	METAL CHIP	1K 5% 1/10W
R664	1-216-833-11	METAL CHIP	10K 5% 1/10W
R671	1-216-809-11	METAL CHIP	100 5% 1/10W
R672	1-216-809-11	METAL CHIP	100 5% 1/10W
R673	1-218-871-11	METAL CHIP	10K 0.5% 1/10W
R674	1-216-845-11	METAL CHIP	100K 5% 1/10W
R675	1-216-821-11	METAL CHIP	1K 5% 1/10W
R676	1-216-821-11	METAL CHIP	1K 5% 1/10W
R677	1-216-821-11	METAL CHIP	1K 5% 1/10W
R679	1-216-821-11	METAL CHIP	1K 5% 1/10W
R681	1-216-864-11	SHORT CHIP	0
R690	1-216-845-11	METAL CHIP	100K 5% 1/10W
R692	1-216-845-11	METAL CHIP	100K 5% 1/10W
R752	1-216-811-11	METAL CHIP	150 5% 1/10W
R756	1-216-841-11	METAL CHIP	47K 5% 1/10W
R757	1-216-864-11	SHORT CHIP	0
R901	1-216-817-11	METAL CHIP	470 5% 1/10W
R902	1-216-817-11	METAL CHIP	470 5% 1/10W
R903	1-216-834-11	METAL CHIP	12K 5% 1/10W
R904	1-216-834-11	METAL CHIP	12K 5% 1/10W
R905	1-216-841-11	METAL CHIP	47K 5% 1/10W
R906	1-216-841-11	METAL CHIP	47K 5% 1/10W
R907	1-216-845-11	METAL CHIP	100K 5% 1/10W
R910	1-216-789-11	METAL CHIP	2.2 5% 1/10W
R911	1-216-825-11	METAL CHIP	2.2K 5% 1/10W
R912	1-216-864-11	SHORT CHIP	0
R913	1-216-864-11	SHORT CHIP	0
R914	1-216-825-11	METAL CHIP	2.2K 5% 1/10W
S502	1-571-478-11	SWITCH, SLIDE (FREQUENCY SELECT)	< SWITCH > (GT260/GT260S)
TU1	A-3220-960-B	TUNER UNIT (TUX-032) (GT260/GT260S)	< TUNER UNIT >
TU1	A-3220-961-B	TUNER UNIT (TUX-032) (GT21W/GT210)	
X501	1-813-524-21	VIBRATOR, CERAMIC (18.432MHz)	< VIBRATOR >
X502	1-813-202-11	VIBRATOR, CRYSTAL (32.768kHz)	
A-1177-201-A	SERVO BOARD, COMPLETE		*****

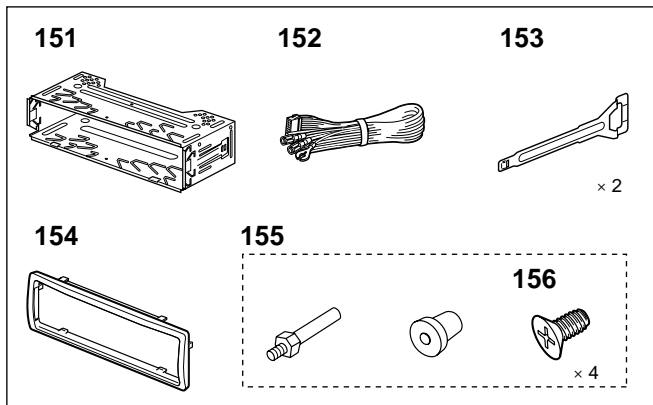
Ref. No.	Part No.	Description	Remark
		MISCELLANEOUS *****	
7	1-792-194-71	CORD (WITH CONNECTOR) (POWER)	
△ 103	X-2149-672-1	SERVICE ASSY, OP (DAX-25A)	
J901	1-820-624-11	JACK (SMALL TYPE) (VERTICAL) (AUX)	

ACCESSORIES

2-696-857-11	MANUAL, INSTRUCTION (ENGLISH,SPANISH) (GT21W:US)
2-696-857-21	MANUAL, INSTRUCTION (ENGLISH,FRENCH) (GT21W:CND/GT210)
2-696-857-31	MANUAL, INSTRUCTION (ENGLISH,SPANISH, SIMPLIFIED CHINESE) (GT260/GT260S)
2-696-858-11	MANUAL, INSTRUCTION, INSTALL (ENGLISH, SPANISH) (GT21W:US)
2-696-858-21	MANUAL, INSTRUCTION, INSTALL (ENGLISH, FRENCH) (GT21W:CND/GT210)
2-696-858-31	MANUAL, INSTRUCTION, INSTALL (ENGLISH, SPANISH,SIMPLIFIED CHINESE) (GT260/GT260S)
X-2148-896-1	CASE ASSY (for FRONT PANEL) (EXCEPT US)

PARTS FOR INSTALLATION AND CONNECTIONS

151	X-3382-647-1	FRAME ASSY, FITTING
152	1-792-194-71	CORD (WITH CONNECTOR) (POWER)
153	3-246-011-01	KEY (FRAME)
154	2-686-802-01	COLLAR
155	A-1082-993-A	SCREW ASSY (BS4), FITTING (GT260/GT260S)
156	3-259-776-01	SCREW (+K 5X8 TP)



MEMO

CDX-GT21W/GT210/ GT260/GT260S

SONY®

SERVICE MANUAL

Ver. 1.2 2007.03

US Model
Canadian Model
CDX-GT21W/GT210
E Model
CDX-GT260/GT260S
Chinese Model
CDX-GT260

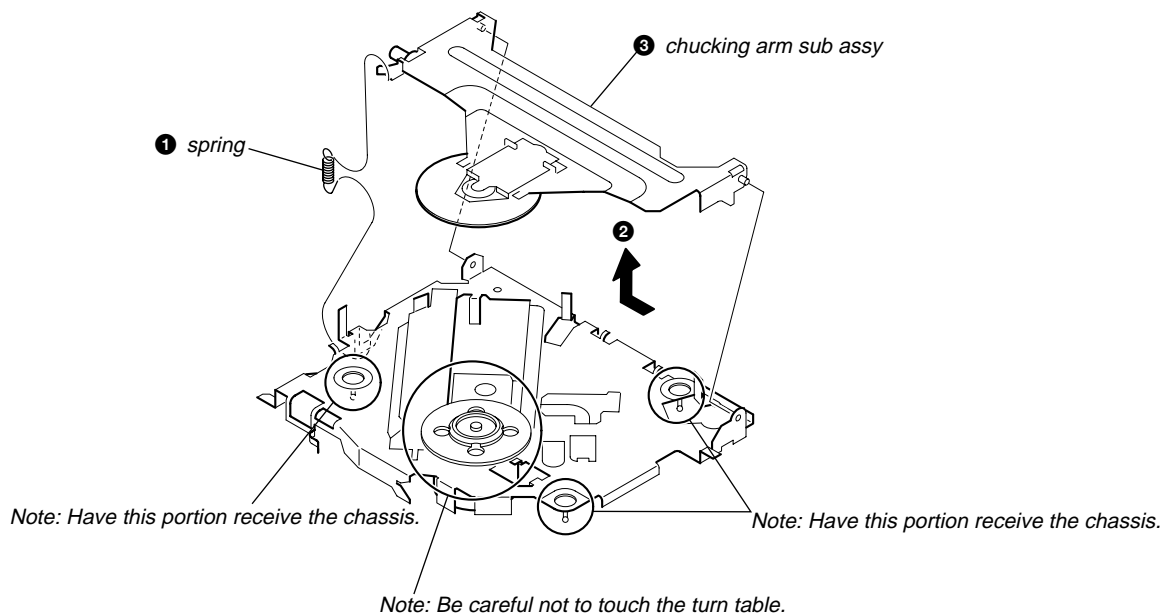
SUPPLEMENT-1

File this supplement with the service manual.

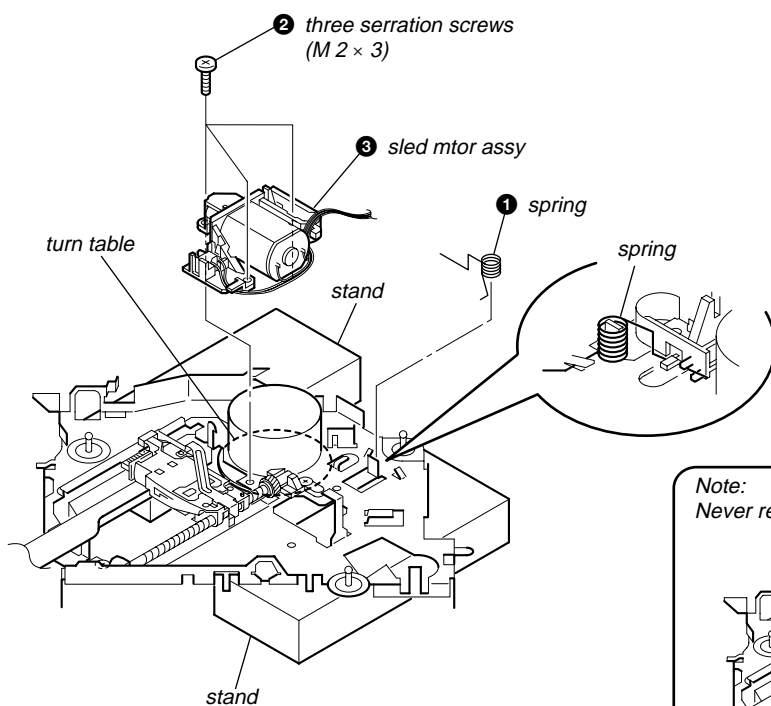
Subject: Notes for removal of the OPTICAL PICK-UP added.

DISASSEMBLY

1. CHUCKING ARM SUB ASSY

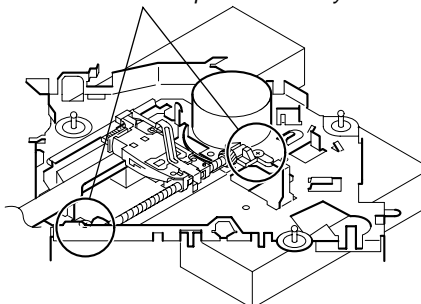


2. SLED MOTOR ASSY

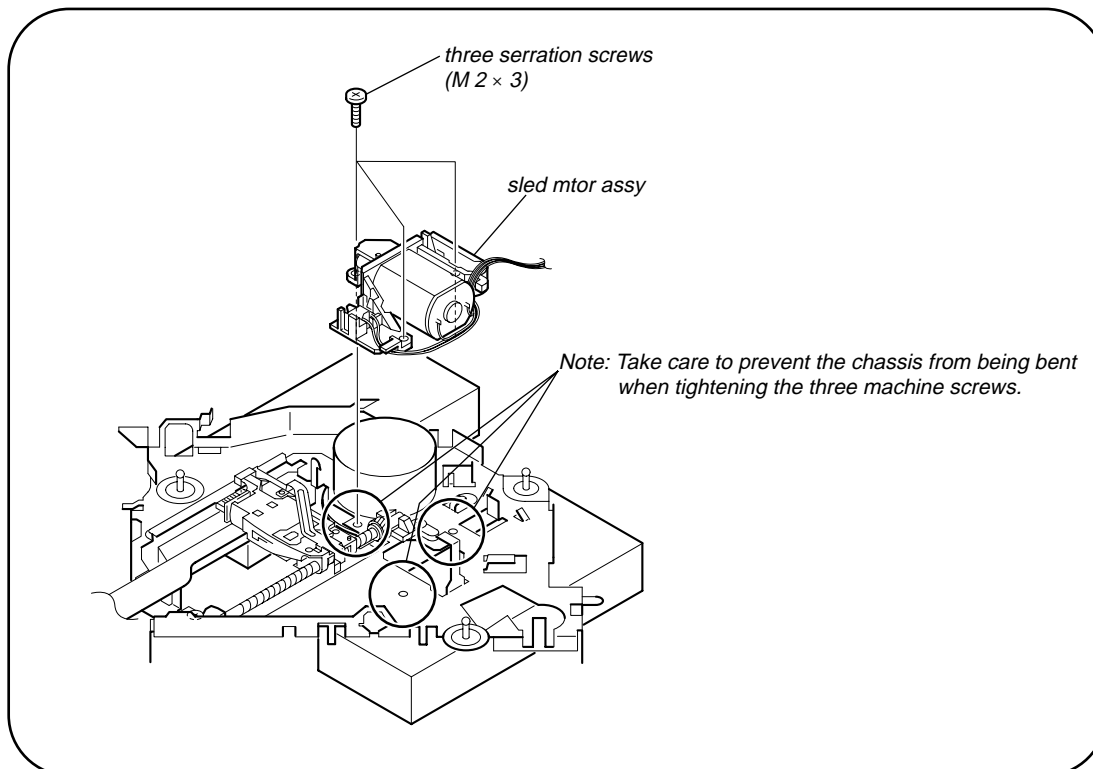


Note: Place the stand with care not to touch the turn table.

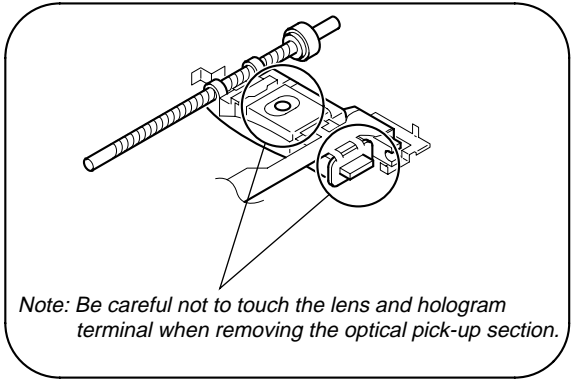
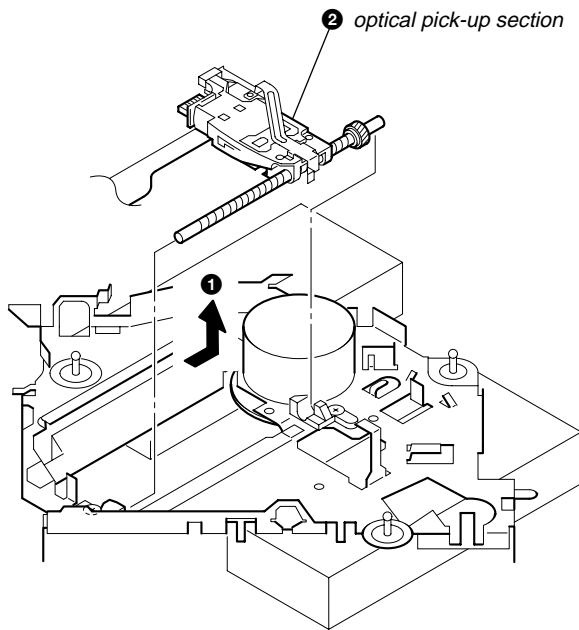
Note:
Never remove these parts since they were adjusted.



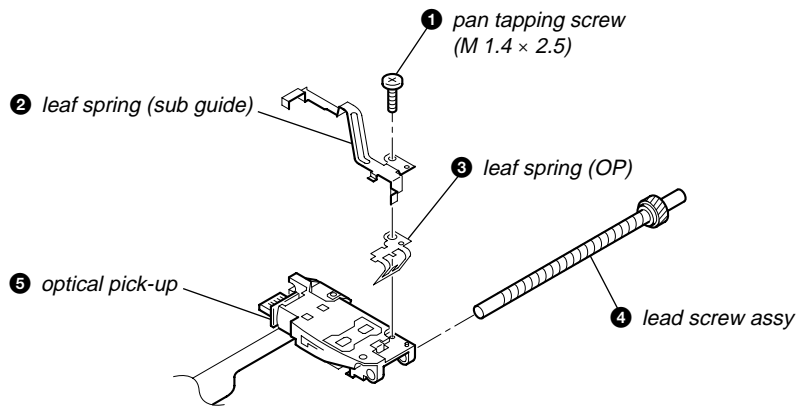
Note for Assembly



3. OPTICAL PICK-UP SECTION



4. OPTICAL PICK-UP



Notes for Assembly

<p>Prevent the end of the leaf spring (sub guide) from being in contact with the OP slide base.</p>	<p>Prevent the end of the leaf spring (sub guide) from being in contact with the OP slide base.</p>	<p>There is space at the end of the leaf spring (sub guide) to avoid contact with the slide.</p>

Free Manuals Download Website

<http://myh66.com>

<http://usermanuals.us>

<http://www.somanuals.com>

<http://www.4manuals.cc>

<http://www.manual-lib.com>

<http://www.404manual.com>

<http://www.luxmanual.com>

<http://aubethermostatmanual.com>

Golf course search by state

<http://golfingnear.com>

Email search by domain

<http://emailbydomain.com>

Auto manuals search

<http://auto.somanuals.com>

TV manuals search

<http://tv.somanuals.com>