

FM/AM Compact Disc Player

Operating Instructions GB

Manual de
instrucciones ES

To switch the FM/AM tuning step, see page 4.
To cancel the demonstration (DEMO) display, see page 4.

Para cambiar el paso de sintonización de FM/AM, consulta la página 4.
Para cancelar la pantalla de demostración (DEMO), consulte la página 4.



Be sure to install this unit in the dashboard of the car for safety. For installation and connections, see the supplied installation/connections manual.

**CLASS 1
LASER PRODUCT**

This label is located on the bottom of the chassis.

ZAPPIN and Quick-BrowZer are trademarks of Sony Corporation.

Windows Media is either a registered trademark or trademark of Microsoft Corporation in the United States and/or other countries.

This product contains technology subject to certain intellectual property rights of Microsoft. Use or distribution of this technology outside of this product is prohibited without the appropriate license(s) from Microsoft.

iPhone, iPod, iPod classic, iPod nano, and iPod touch are trademarks of Apple Inc., registered in the U.S. and other countries.

MPEG Layer-3 audio coding technology and patents licensed from Fraunhofer IIS and Thomson.

Note on the lithium battery

Do not expose the battery to excessive heat such as direct sunlight, fire or the like.

Warning if your car's ignition has no ACC position

Be sure to set the Auto Off function (page 21). The unit will shut off completely and automatically in the set time after the unit is turned off, which prevents battery drain. If you do not set the Auto Off function, press and hold **(SOURCE/OFF)** until the display disappears each time you turn the ignition off.

Table of contents

Getting Started	4
Switching the FM/AM tuning step	4
Canceling the DEMO mode	4
Setting the clock	4
Detaching the front panel	5
Location of controls	6
Radio	9
Storing and receiving stations	9
RDS	10
CD	11
Playing a disc	11
USB devices	11
Playing back a USB device	11
iPod	12
Playing back iPod	12
Operating an iPod directly — Passenger control	13
Searching and playing tracks	14
Playing tracks in various modes	14
Searching a track by name — Quick-BrowZer™	14
Searching a track by listening to track passages — ZAPPIN™	15
Changing the illumination	16
Changing the color of display and buttons — Dynamic Color Illuminator	16
Advanced color setting	17
Sound Settings and Setup Menu	18
Changing the sound settings	18
Enjoying sophisticated sound functions — Advanced Sound Engine	18
Adjusting setup items	21
Using optional equipment	22
Auxiliary audio equipment	22
Additional Information	23
Precautions	23
Maintenance	24
Specifications	25
Troubleshooting	26

Getting Started

Switching the FM/AM tuning step

The FM/AM tuning step is factory-set to the 50 kHz (FM)/9 kHz (AM) position. If the frequency allocation system of your country is based on 200 kHz (FM)/10 kHz (AM) or 100 kHz (FM)/10 kHz (AM) step, set the tuning step before use.

This setting appears when turned off.

- 1 Press and hold the select button.**
The setup display appears.
- 2 Rotate the control dial until “TUNER-STP” appears, then press it.**
- 3 Rotate the control dial to select from “50K/9K,” “100K/10K” or “200K/10K,” then press it.**

Receivable frequency by selected frequency setup:

FM 50 kHz: 87.50 MHz, 87.55 MHz, 87.60 MHz...

FM 100 kHz: 87.5 MHz, 87.6 MHz, 87.7 MHz...

FM 200 kHz: 87.5 MHz, 87.7 MHz, 87.9 MHz...

AM 9 kHz: 531 kHz, 540 kHz, 549 kHz...

AM 10 kHz: 530 kHz, 540 kHz, 550 kHz...

Canceling the DEMO mode

You can cancel the demonstration display which appears during turning off.

- 1 Press and hold the select button.**
The setup display appears.
- 2 Rotate the control dial until “DEMO” appears, then press it.**
- 3 Rotate the control dial to select “DEMO-OFF,” then press it.**
The setting is complete.
- 4 Press \rightarrow (BACK).**
The display returns to normal reception/play mode.

Setting the clock

The clock uses a 12-hour digital indication.

- 1 Press and hold the select button.**
The setup display appears.
- 2 Rotate the control dial until “CLOCK-ADJ” appears, then press it.**
The hour indication flashes.
- 3 Rotate the control dial to set the hour and minute.**
To move the digital indication, press **(SEEK)** -/+.
- 4 After setting the minute, press the select button.**
The setup is complete and the clock starts.
To display the clock, press **(DSPL)**.

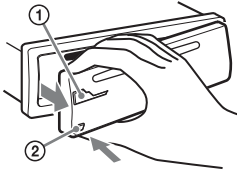
Detaching the front panel

You can detach the front panel of this unit to prevent theft.

1 Press and hold **SOURCE/OFF** **①**.

The unit is turned off.

2 Press the front panel release button **②**,
then pull it off towards you.



Caution alarm

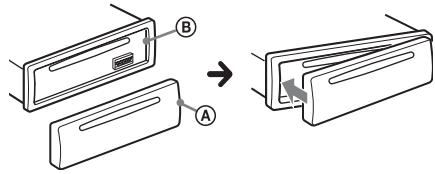
If you turn the ignition switch to the OFF position without detaching the front panel, the caution alarm will sound for a few seconds. The alarm will only sound if the built-in amplifier is used.

Note

Do not subject the front panel to heat/high temperature or moisture. Avoid leaving it in a parked car or on a dashboard/rear tray.

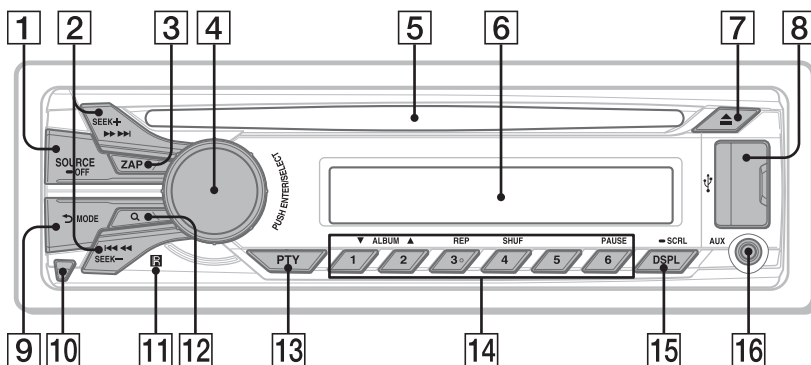
Attaching the front panel

Engage part **Ⓐ** of the front panel with part **Ⓑ** of the unit, as illustrated, and push the left side into position until it clicks.



Location of controls

Main unit



This section contains instructions on the location of controls and basic operations.

1 SOURCE/OFF button

Press to turn on the power/change the source (Radio/CD/USB/AUX).

Press and hold for 1 second to turn off the power.

Press and hold for more than 2 seconds to turn off the power and the display disappears.

2 SEEK +/- buttons

Radio:

To tune in stations automatically (press); find a station manually (press and hold).

CD/USB:

To skip tracks (press); skip tracks continuously (press, then press again within about 1 second and hold); reverse/fast-forward a track (press and hold).

3 ZAP button page 15

To enter ZAPPIN™ mode.

4 Control dial/select button

page 18, 21

To adjust volume (rotate); select setup items (press and rotate).

5 Disc slot

Insert the disc (label side up), playback starts.

6 Display window

7 ▲ (eject) button

To eject the disc.

8 USB connector page 11, 12

9 ↶ (BACK)/MODE button page 9, 13

Press to return to the previous display/ select the radio band (FM/AM).

Press and hold to enter/cancel the passenger control.

10 Front panel release button page 5

11 Receptor for the remote commander

12 Q (BROWSE) button page 14

To enter the Quick-BrowZer™ mode.

13 **PTY button** page 10

To select PTY in RDS.

14 **Number buttons**

Radio:

To receive stored stations (press); store stations (press and hold).

CD/USB:

① / ②: **ALBUM** ▼/▲ (during MP3/WMA/AAC playback)

To skip albums (press); skip albums continuously (press and hold).

③: **REP*** page 14

④: **SHUF** page 14

⑥: **PAUSE**

To pause playback. To cancel, press again.

15 **DSPL (display)/SCRL (scroll) button**

page 10, 11, 12, 13

To change display items (press); scroll the display item (press and hold).

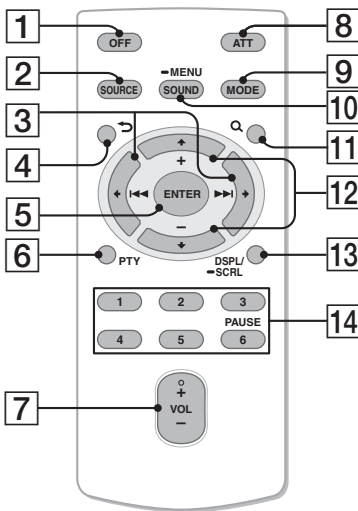
16 **AUX input jack** page 22

* This button has a tactile dot.

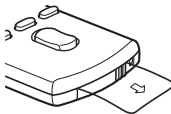
Note

If the unit is turned off and the display disappears, it cannot be operated with the remote commander unless **(SOURCE/OFF)** on the unit is pressed, or a disc is inserted to activate the unit first.

RM-X211 Remote commander



Remove the insulation film before use.



- 1 OFF button**
To turn off the power; stop the source.
- 2 SOURCE button**
To turn on the power; change the source (Radio/CD/USB/AUX).
- 3 ◀ (|◀◀)/▶▶ (▶▶|) buttons**
To control Radio/CD/USB, the same as **SEEK** -/+ on the unit.
Setup, sound setting, etc., can be operated by **◀ ▶**.
- 4 ↶ (BACK) button**
- 5 ENTER button**
To apply a setting.
- 6 PTY button**
- 7 VOL (volume) +*/- button**
- 8 ATT (attenuate) button**
To attenuate the sound. To cancel, press again.
- 9 MODE button**
Press to select the radio band (FM/AM).
Press and hold to enter/cancel the passenger control.
- 10 SOUND/MENU button**
To enter sound setting (press); enter menu (press and hold).
- 11 Q (BROWSE) button**
- 12 ↑ (+)/↓ (-) buttons**
To control CD/USB, the same as **①** / **②** (ALBUM ▼/▲) on the unit.
Setup, sound setting, etc., can be operated by **↑ ↓**.
- 13 DSPL/SCRL button**
- 14 Number buttons**
To receive stored stations (press); store stations (press and hold).
To pause playback (press **⑥**).

* This button has a tactile dot.

Radio

Storing and receiving stations

Tuning step setting is required (page 4).

Notes

- If the tuning step setting is changed, the stored stations will be erased.
- If replacing the car battery or changing the connections, the tuning step setting will be erased, and you will need to set again.

Caution

When tuning in stations while driving, use Best Tuning Memory (BTM) to prevent an accident.

Storing automatically — BTM

- 1 Press **(SOURCE/OFF)** repeatedly until “TUNER” appears.**

To change the band, press **(MODE)** repeatedly. You can select from FM1, FM2, FM3, AM1 or AM2.

- 2 Press and hold the select button.**

The setup display appears.

- 3 Rotate the control dial until “BTM” appears, then press it.**

The unit stores stations in order of frequency on the number buttons.

Storing manually

- 1 While receiving the station that you want to store, press and hold a number button (**(1)** to **(6)**) until “MEM” appears.**

Receiving the stored stations

- 1 Select the band, then press a number button (**(1)** to **(6)**).**

Tuning automatically

- 1 Select the band, then press **(SEEK) +/-** to search for the station.**

Scanning stops when the unit receives a station. Repeat this procedure until the desired station is received.

Tip

If you know the frequency of the station you want to listen to, press and hold **(SEEK) +/-** to locate the approximate frequency, then press **(SEEK) +/-** repeatedly to fine adjust to the desired frequency (manual tuning).

RDS

FM stations with Radio Data System (RDS) service send inaudible digital information along with the regular radio program signal.

Notes

- Depending on the country/region, not all RDS functions may be available.
- RDS will not work if the signal strength is too weak, or if the station you are tuned to is not transmitting RDS data.

Changing display items

Press **(DSPL)**.

Selecting PTY (Program Types)

Displays the currently received program type. Also searches your selected program type.

- 1 Press **(PTY)** during FM reception.**
The current program type name appears if the station is transmitting PTY data.
- 2 Rotate the control dial until the desired program type appears, then press it.**
The unit starts to search for a station broadcasting the selected program type.

Type of programs

NEWS (News), **AFFAIRS** (Current Affairs), **INFO** (Information), **SPORT** (Sports), **EDUCATE** (Education), **DRAMA** (Drama), **CULTURE** (Culture), **SCIENCE** (Science), **VARIED** (Varied), **POP M** (Pop Music), **ROCK M** (Rock Music), **EASY M** (M.O.R. Music), **LIGHT M** (Light classical), **CLASSICS** (Serious classical), **OTHER M** (Other Music), **WEATHER** (Weather), **FINANCE** (Finance), **CHILDREN** (Children's program), **SOCIAL A** (Social Affairs), **RELIGION** (Religion), **PHONE IN** (Phone In), **TRAVEL** (Travel), **LEISURE** (Leisure), **JAZZ** (Jazz Music), **COUNTRY** (Country Music), **NATION M** (National Music), **OLDIES** (Oldies Music), **FOLK M** (Folk Music), **DOCUMENT** (Documentary)

Note

You may receive a different radio program from the one you select.

Setting CT (Clock Time)

The CT data from the RDS transmission sets the clock.

- 1 Set "CT-ON" in setup (page 21).**

Note

The CT function may not work properly even though an RDS station is being received.

CD

Playing a disc

This unit can play CD-DA (also containing CD TEXT) and CD-R/CD-RW (MP3/WMA/AAC files (page 23)).

1 Insert the disc (label side up).

Playback starts automatically.

To eject the disc, press ▲.

Note

When ejecting/inserting a disc, keep any USB devices disconnected to avoid damage to the disc.

Changing display items

Displayed items may differ depending on the disc type, recording format and settings. Press (DSP/L).

USB devices

- MSC (Mass Storage Class)-type USB devices compliant with the USB standard can be used.
- Corresponding codec is MP3 (.mp3), WMA (.wma), AAC (.m4a) and AAC (.mp4).
- Backup of data in a USB device is recommended.

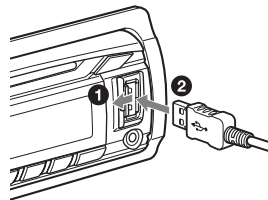
For details on the compatibility of your USB device, visit the support site on the back cover.

Note

Connect the USB device after starting the engine. Depending on the USB device, malfunction or damage may occur if it is connected before starting the engine.

Playing back a USB device

- 1 Open the USB cover, then connect the USB device to the USB connector with its USB cable.



Playback starts.

If a USB device is already connected, to start playback, press (SOURCE/OFF) repeatedly until “USB” appears.

To stop playback, press and hold (SOURCE/OFF) for 1 second.

To remove the USB device, stop the USB playback, then remove the USB device.

Notes

- Do not use USB devices so large or heavy that they may fall down due to vibration, or cause a loose connection.
- Do not detach the front panel during playback of the USB device, otherwise USB data may be damaged.

Changing display items

Displayed items may differ depending on the USB device, recording format and settings.

Press **(DSPL)**.

Notes

- The maximum number of displayable data is as follows.
 - folders (albums): 128
 - files (tracks) per folder: 500
- It may take time for playback to begin, depending on the amount of recorded data.
- DRM (Digital Rights Management) files may not be played.
- During playback or fast-forward/reverse of a VBR (Variable Bit Rate) MP3/WMA/AAC file, elapsed playing time may not display accurately.
- Playback of the following MP3/WMA/AAC files is not supported.
 - lossless compression
 - copyright-protected

iPod

In these Operating Instructions, “iPod” is used as a general reference for the iPod functions on the iPod and iPhone, unless otherwise specified by the text or illustrations.

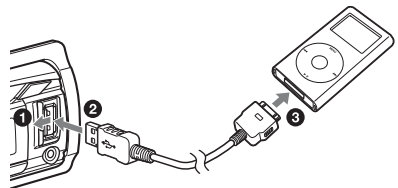
For details on the compatibility of your iPod, see “About iPod” (page 24) or visit the support site on the back cover.

Playing back iPod

Before connecting the iPod, turn down the volume of the unit.

- 1 Open the USB cover, then connect the iPod to the USB connector with the USB connection cable for iPod (not supplied)*.**

* Using the RC-100IP USB connection cable for iPod is recommended.



The tracks on the iPod start playing automatically from the point last played.

If an iPod is already connected, to start playback press **(SOURCE/OFF)** repeatedly until “USB” appears. (“IPD” appears in the display when iPod is recognized.)

Press and hold **(SOURCE/OFF)** for 1 second to stop playback.

To remove the iPod, stop the iPod playback, then remove the iPod.

Caution for iPhone

When you connect an iPhone via USB, telephone volume is controlled by iPhone itself. In order to avoid sudden loud sound after a call, do not increase the volume on the unit during a telephone call.

Note

Do not detach the front panel during playback of the iPod, otherwise data may be damaged.

Tip

iPod is recharged while the unit is turned on.

Resuming mode

When the iPod is connected to the dock connector, playback starts in the mode set by the iPod. In this mode, the following buttons do not function.

- (3) (REP)
- (4) (SHUF)

Changing display items

Press (DSPL).

Note

Some letters stored in iPod may not be displayed correctly.

Skipping albums, podcasts, genres, playlists and artists

To	Do this
Skip	Press (1)/(2) (ALBUM ▼/▲) [press once for each]
Skip continuously	Press and hold (1)/(2) (ALBUM ▼/▲) [hold to desired point]

Operating an iPod directly — Passenger control

You can operate an iPod directly even when connected to the dock connector.

1 During playback, press and hold

(MODE).

“MODE IPOD” appears and you will be able to operate the iPod directly.

To exit the passenger control, press and hold (MODE).

Then “MODE AUDIO” will appear and the play mode will change to iPod mode.

Note

The volume can be adjusted only by the unit.

Searching and playing tracks

Playing tracks in various modes

You can listen to tracks repeatedly (repeat play) or in random order (shuffle play). Available play modes differ depending on the selected sound source.

- 1 During playback, press **ⓐ** (REP) or **ⓑ** (SHUF) repeatedly until the desired play mode appears.

Playback in selected play mode may take time to start.

Repeat play

Select	To play
↶ TRACK	track repeatedly.
↶ ALBUM	album repeatedly.
↶ PODCAST*¹	podcast repeatedly.
↶ ARTIST*¹	artist repeatedly.
↶ PLAYLIST*¹	playlist repeatedly.
↶ GENRE*¹	genre repeatedly.
↶ OFF	track in normal order (Normal play).

Shuffle play

Select	To play
SHUF ALBUM	album in random order.
SHUF DISC*²	disc in random order.
SHUF PODCAST*¹	podcast in random order.
SHUF ARTIST*¹	artist in random order.
SHUF PLAYLIST*¹	playlist in random order.

SHUF GENRE*¹	genre in random order.
SHUF DEVICE*³	device in random order.
SHUF OFF	track in normal order (Normal play).

*1 iPod only

*2 CD only

*3 USB and iPod only

Searching a track by name — Quick-BrowZer™

You can search for a track in a CD or USB device easily by category.

- 1 Press **Q** (BROWSE)*.

The unit enters the Quick-BrowZer mode, and the list of search categories appears.

When the track list appears, press **⏪** (BACK) repeatedly until the desired search category appears.

* During playback, press **Q** (BROWSE) for more than 2 seconds to directly return to the beginning of the category list (USB only).

- 2 Rotate the control dial to select the desired search category, then press it to confirm.

- 3 Repeat step 2 until the desired track is selected.

Playback starts.

To exit the Quick-BrowZer mode, press **Q** (BROWSE).

Note

When entering the Quick-BrowZer mode, the repeat/shuffle setting is canceled.

Searching by skip items — Jump mode

When many items are in a category, you can search the desired item quickly.

1 Press **(SEEK)** + in Quick-BrowZer mode.

The item name will appear.

2 Rotate the control dial to select the item near the one desired.

It skips in steps of 10% of the total item number.

3 Press the select button.

The display returns to the Quick-BrowZer mode and the selected item appears.

4 Rotate the control dial to select the desired item and press it.

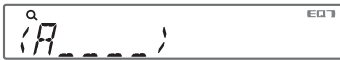
Playback starts if the selected item is a track.

To cancel Jump mode, press **(BACK)** or **(SEEK)** -.

Searching by alphabetical order — Alphabet search

When an iPod is connected to the unit, you can search for a desired item alphabetically.

1 Press **(SEEK)** + in Quick-BrowZer mode.



2 Rotate the control dial to select the first letter of the desired item, then press it.

A list of items beginning with the selected letter appears in alphabetical order.

3 Rotate the control dial to select the desired item, then press it.

Playback starts if the selected item is a track.

To cancel Alphabet search, press **(BACK)** or **(SEEK)** -.

Notes

- In Alphabet search, a symbol or article (a/an/the) before the selected letter of the item is excluded.
- Depending on the search item you select, only Jump mode may be available.
- Alphabet search may take some time, depending on the amount of tracks.

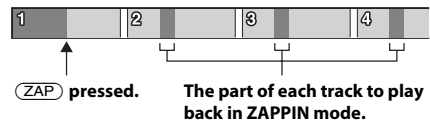
Searching a track by listening to track passages — ZAPPIN™

While playing back short track passages in a CD or USB device in sequence, you can search for a track you want to listen to. ZAPPIN mode is suitable for searching for a track in shuffle or shuffle repeat mode.

1 Press **(ZAP)** during playback.

Playback starts from a passage of the next track. You can select the playback time (page 22).

Track



2 Press the select button or **(ZAP)** when a track you want to listen is played back.

The track that you select returns to normal play mode from the beginning.

Pressing **(BACK)** also confirms a track to playback.

Tips

- Press **(SEEK)** +/- in ZAPPIN mode to skip a track.
- Press **(1)/(2)** (ALBUM ▼/▲) in ZAPPIN mode to skip album.

Changing the illumination

Changing the color of display and buttons — Dynamic Color Illuminator

Dynamic Color Illuminator allows you to change the color of the display and buttons on the main unit to match the car's interior. You can select from 12 preset colors, customized color and 5 preset patterns.

Preset colors:

RED, AMBER, M_AMBER, YELLOW, WHITE, LIGHT GREEN, GREEN, LIGHT BLUE, SKY BLUE, BLUE, PURPLE, PINK.

Preset patterns:

RAINBOW, OCEAN, SUNSET, FOREST, RANDOM.

- 1 Press and hold the select button.**
The setup display appears.
- 2 Rotate the control dial until "COLOR" appears, then press it.**
- 3 Rotate the control dial to select the desired preset color, then press it.**
- 4 Press ↵ (BACK).**

Note

If the control dial is rotated rapidly, the color of the display and the buttons may change too quickly.

Customizing the display and button color — Custom Color

You can register a customized color for the display and buttons.

- 1 Press and hold the select button.**
The setup display appears.
- 2 Rotate the control dial until "CUSTOM-C" appears, then press it.**
- 3 Rotate the control dial until "BASE" appears, then press it.**
You can select a preset color as a basis for further customizing.
When you select "BASE," customized color is overwritten.
- 4 Rotate the control dial to select from "RGB RED," "RGB GRN," or "RGB BLUE," then press it.**
- 5 Rotate the control dial to adjust the color range, then press it.**
Adjustable color range: "0" – "32."
You cannot set "0" for all color ranges.
- 6 Press ↵ (BACK).**

Changing DAY/NIGHT color mode

You can set a different color for DAY/NIGHT depending on the DIMMER setting.

Color mode	DIMMER*1
DAY	OFF or AUTO (turn off the head light*2)
NIGHT	ON or AUTO (turn on the head light*2)

*1 For details on the DIMMER, see page 21.

*2 Available only when the illumination control lead is connected.

- 1 Select "DAYNIGHT" in step 2.**
- 2 Select "DAY" or "NIGHT."**
- 3 Customize the preset channel from step 2 to 5.**

Advanced color setting

Changing the color with sound synchronization — Sound Synchronization

When you select a preset pattern, sound synchronization becomes effective.

- 1 Press and hold the select button.**
The setup display appears.
- 2 Rotate the control dial until “SND SYNC” appears, then press it.**
- 3 Rotate the control dial to select “SYNC-ON,” then press it.**
- 4 Press ↵ (BACK).**

Displaying clear color — White Menu

You can display the menu more clearly (White) without concern for color setting.

- 1 Press and hold the select button.**
The setup display appears.
- 2 Rotate the control dial until “WHT MENU” appears, then press it.**
- 3 Rotate the control dial to select “WHITE-ON,” then press it.**
- 4 Press ↵ (BACK).**

To cancel White Menu, select “OFF” on step 3.

Start up effect — Start White

When you push **(SOURCE/OFF)** on, the color of display and the buttons on the main unit turns white once, and then the color changes to the customized color.

- 1 Press and hold the select button.**
The setup display appears.
- 2 Rotate the control dial until “START-WHT” appears, then press it.**
- 3 Rotate the control dial to select “WHITE-ON,” then press it.**
- 4 Press ↵ (BACK).**

To cancel Start White, select “OFF” on step 3.

Sound Settings and Setup Menu

Changing the sound settings

Adjusting the sound characteristics

- 1** During reception/playback, press the select button.
- 2** Rotate the control dial until the desired menu item appears, then press it.
- 3** Rotate the control dial to select the setting, then press it.
- 4** Press ↩ (BACK).

The following items can be set:

EQ7 PRESET (page 18)

EQ7 SETTING (page 19)

POSITION

SET POSITION (Listening Position setting) (page 19)

ADJ POSITION*¹ (Listening Position adjustment) (page 20)

SET SW POS*¹*² (Subwoofer Position setting) (page 19)

BALANCE

Adjusts the sound balance: "RIGHT-15" – "CENTER" – "LEFT-15."

FADER

Adjusts the relative level: "FRONT-15" – "CENTER" – "REAR-15."

DM+ (page 20)

RB ENH (Rear Bass Enhancer) (page 20)

SW LEVEL*² (Subwoofer Level)

Adjusts the subwoofer volume level: "+10 dB" – "0 dB" – "-10 dB."
("ATT") is displayed at the lowest setting.)

AUX VOL*³ (AUX Volume level)

Adjusts the volume level for each connected auxiliary equipment: "+18 dB" – "0 dB" – "-8 dB."

This setting negates the need to adjust the volume level between sources.

*¹ Hidden when "SET POSITION" is set to "OFF."

*² When the audio output is set to "SUB-OUT" (page 21).

*³ When AUX source is activated (page 22).

Enjoying sophisticated sound functions — Advanced Sound Engine

Advanced Sound Engine creates an ideal in-car sound field with digital signal processing.

Selecting the sound quality — EQ7 Preset

You can select an equalizer curve from 7 equalizer curves (XPLOD, VOCAL, EDGE, CRUISE, SPACE, GRAVITY, CUSTOM or OFF).

- 1** During reception/playback, press the select button.
- 2** Rotate the control dial until "EQ7 PRESET" appears, then press it.
- 3** Rotate the control dial until the desired equalizer curve appears, then press it.
- 4** Press ↩ (BACK).

To cancel the equalizer curve, select "OFF" in step 3.

Tip

The equalizer curve setting can be memorized for each source.

Customizing the equalizer curve — EQ7 Setting

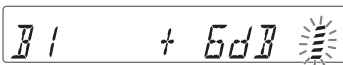
“CUSTOM” of EQ7 allows you to make your own equalizer settings.

- 1 Select a source, then press the select button.
- 2 Rotate the control dial until “EQ7 SETTING” appears, then press it.
- 3 Rotate the control dial until “BASE” appears, then press it.
You can select an equalizer curve as a basis for further customizing.
- 4 Rotate the control dial to select the equalizer curve, then press it.
- 5 Setting the equalizer curve.
 - 1 Rotate the control dial to select the frequency range, then press it.



BAND1: 63 Hz
BAND2: 160 Hz
BAND3: 400 Hz
BAND4: 1 kHz
BAND5: 2.5 kHz
BAND6: 6.3 kHz
BAND7: 16.0 kHz

- 2 Rotate the control dial to adjust the volume level, then press it.
The volume level is adjustable in 1 dB steps, from -6 dB to +6 dB.



Repeat steps 1 and 2 to adjust other frequency ranges.

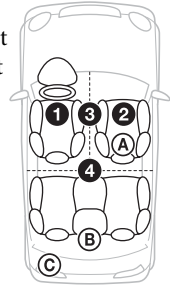
- 6 Press \rightarrow (BACK) twice.

The equalizer curve is stored in “CUSTOM.”

Optimizing sound by Time Alignment — Listening Position

The unit can simulate a natural sound field by delaying the sound output from each speaker to suit your position. The options for “POSITION” are indicated below.

- FRONT L (1)**: Front left
FRONT R (2): Front right
FRONT (3): Center front
ALL (4): In the center of your car
OFF: No position set



You can also set the approximate subwoofer position from your listening position if:

- the audio output is set to “SUB-OUT” (page 21).
- the listening position is set besides “OFF.”

The options for “SET SW POS” are indicated below.

- NEAR (A)**: Near
NORMAL (B): Normal
FAR (C): Far

- 1 During reception/playback, press the select button.
- 2 Rotate the control dial until “SET POSITION” appears, then press it.
- 3 Rotate the control dial to select from “FRONT L,” “FRONT R,” “FRONT” or “ALL,” then press it.
- 4 Rotate the control dial until “SET SW POS” appears, then press it.

5 Rotate the control dial to select the subwoofer position from “NEAR,” “NORMAL” or “FAR,” then press it.

6 Press ↵ (BACK).

To cancel listening position, select “OFF” on step 3.

Adjusting the listening position

You can fine-tune the listening position setting.

1 During reception/playback, press the select button.

2 Rotate the control dial until “ADJ POSITION” appears, then press it.

3 Rotate the control dial to adjust the listening position, then press it.

Adjustable range: “+3” – “CENTER” – “-3.”

4 Press ↵ (BACK).

DM+ Advanced

DM+ Advanced improves digitally compressed sound by restoring high frequencies lost in the compression process.

1 During playback, press the select button.

2 Rotate the control dial until “DM+” appears, then press it.

3 Rotate the control dial to select “ON,” then press it.

4 Press ↵ (BACK).

Tip

The DM+ setting can be memorized for each source.

Using rear speakers as subwoofer — Rear Bass Enhancer

Rear Bass Enhancer enhances the bass sound by applying the low pass filter setting (page 22) to the rear speakers. This function allows the rear speakers to work as a subwoofer if one is not connected.

1 During reception/playback, press the select button.

2 Rotate the control dial until “RB ENH” appears, then press it.

3 Rotate the control dial to select from “1,” “2” or “3,” then press it.

4 Press ↵ (BACK).

Adjusting setup items

- 1 Press and hold the select button.**
The setup display appears.
- 2 Rotate the control dial until the desired item appears, then press it.**
- 3 Rotate the control dial to select the setting, then press it.***
The setting is complete.
- 4 Press ↵ (BACK).**

* For CLOCK-ADJ, TUNER-STP and BTM settings, step 4 is not necessary.

The following items can be set depending on the source and setting:

CLOCK-ADJ (Clock Adjust) (page 4)

TUNER-STP*¹ (Tuner Step) (page 4)

CT (Clock Time)
Activates the CT function: "ON," "OFF"
(page 10).

BEEP
Activates the beep sound: "ON," "OFF."

CAUT ALM*¹ (Caution Alarm)
Activates the caution alarm: "ON,"
"OFF" (page 5).

AUX-A*¹ (AUX Audio)
Activates the AUX source display: "ON,"
"OFF" (page 22).

AUTO OFF
Shuts off automatically after a desired time when the unit is turned off: "NO," "30S (Seconds)," "30M (Minutes)," "60M (Minutes)."

REAR/SUB*¹
Switches the audio output: "SUB-OUT" (subwoofer), "REAR-OUT" (power amplifier).

BLK OUT (Black Out)
Turns off the illumination automatically for any source (e.g., during radio reception/CD playback, etc.) if no operation is performed for 5 seconds: "ON," "OFF."

To bring the light back on, press any button on the unit. (When activated, remote operation is unavailable.)

DEMO (Demonstration)
Activates the demonstration: "ON," "OFF."

DIMMER
Changes the display brightness.
– "AT": to dim the display automatically when you turn lights on. (Available only when the illumination control lead is connected.)
– "ON": to dim the display.
– "OFF": deactivate the dimmer.

COLOR (Preset Color)
Selects the preset color of the display and buttons on the main unit (page 16).

CUSTOM-C (Custom Color)
Selects a preset color as a basis for further customizing (page 16).

SND SYNC
Selects the color with sound synchronization: "ON," "OFF."

WHT MENU
Sets the effect when the source is switched: "ON," "OFF."

START-WHT
Sets the start up color: "ON," "OFF."

M.DISPLAY (Motion Display)
– "SA": to show moving patterns and spectrum analyzer.
– "OFF": to deactivate the Motion Display.

AUTO SCR (Auto Scroll)
Scrolls long items automatically: "ON," "OFF."

ZAP TIME (Zappin Time)

Selects the playback time for the ZAPPIN function.

- "Z.TIME-1 (about 6 seconds),"
 - "Z.TIME-2 (about 15 seconds),"
 - "Z.TIME-3 (about 30 seconds)."
-

ZAP BEEP (Zappin Beep)

Has the beep sound between track passages: "ON," "OFF."

LPF FREQ^{*2} (Low Pass Filter Frequency)

Selects the subwoofer cut-off frequency: "50Hz," "60Hz," "80Hz," "100Hz," "120Hz."

LPF SLOP^{*2} (Low Pass Filter Slope)

Selects the LPF slope: "1," "2," "3."

SW PHASE^{*3} (Subwoofer Phase)

Selects the subwoofer phase: "NORM," "REV."

HPF FREQ (High Pass Filter Frequency)

Selects the front/rear speaker cut-off frequency: "OFF," "50Hz," "60Hz," "80Hz," "100Hz," "120Hz."

HPF SLOP (High Pass Filter Slope)

Selects the HPF slope (effective only when HPF FREQ is set to other than "OFF"): "1," "2," "3."

LOUDNESS (Dynamic Loudness)

Reinforces bass and treble for clear sound at low volume levels: "ON," "OFF."

ALO (Automatic Level Optimizer)

Adjust the playback volume level of all playback sources to the optimum level: "ON," "OFF."

BTM (page 9)

*1 When the unit is turned off.

*2 When the audio output is set to "SUB-OUT" or Rear Bass Enhancer is set to other than "OFF."

*3 When the audio output is set to "SUB-OUT."

Using optional equipment

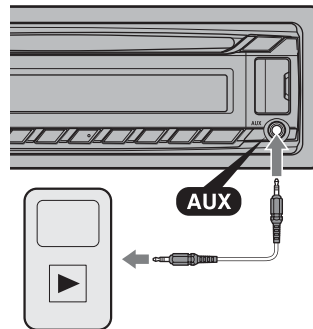
Auxiliary audio equipment

By connecting an optional portable audio device to the AUX input jack (stereo mini jack) on the unit and then simply selecting the source, you can listen on your car speakers.

Connecting the portable audio device

- 1 Turn off the portable audio device.
- 2 Turn down the volume on the unit.
- 3 Connect the portable audio device to the unit with a connecting cord (not supplied)*.

* Be sure to use a straight type plug.



Adjusting the volume level

Be sure to adjust the volume for each connected audio device before playback.

- 1 Turn down the volume on the unit.
- 2 Press **(SOURCE/OFF)** repeatedly until "AUX" appears.
- 3 Start playback of the portable audio device at a moderate volume.
- 4 Set your usual listening volume on the unit.
- 5 Adjust the input level (page 18).

Additional Information

Precautions

- Cool off the unit beforehand if your car has been parked in direct sunlight.
- Do not leave the front panel or audio devices brought in inside the car, or it may cause malfunction due to high temperature in direct sunlight.
- Power antenna (aerial) extends automatically.

Moisture condensation

Should moisture condensation occur inside the unit, remove the disc and wait for about an hour for it to dry out; otherwise the unit will not operate properly.

To maintain high sound quality

Do not splash liquid onto the unit or discs.

Notes on discs

- Do not expose discs to direct sunlight or heat sources such as hot air ducts, nor leave it in a car parked in direct sunlight.
- Before playing, wipe the discs with a cleaning cloth from the center out. Do not use solvents such as benzine, thinner, commercially available cleaners.
- This unit is designed to play back discs that conform to the Compact Disc (CD) standard. DualDiscs and some of the music discs encoded with copyright protection technologies do not conform to the Compact Disc (CD) standard, therefore, these discs may not be playable by this unit.



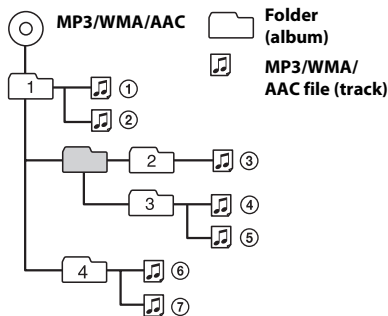
• Discs that this unit CANNOT play

- Discs with labels, stickers, or sticky tape or paper attached. Doing so may cause a malfunction, or may ruin the disc.
- Discs with non-standard shapes (e.g., heart, square, star). Attempting to do so may damage the unit.
- 8 cm (3 1/4 in) discs.

Notes on CD-R/CD-RW discs

- The maximum number of: (CD-R/CD-RW only)
 - folders (albums): 150 (including root folder)
 - files (tracks) and folders: 300 (may less than 300 if folder/file names contain many characters)
 - displayable characters for a folder/file name: 32 (Joliet)/64 (Romeo)
- If the multi-session disc begins with a CD-DA session, it is recognized as a CD-DA disc, and other sessions are not played back.
- **Discs that this unit CANNOT play**
 - CD-R/CD-RW of poor recording quality.
 - CD-R/CD-RW recorded with an incompatible recording device.
 - CD-R/CD-RW which is finalized incorrectly.
 - CD-R/CD-RW other than those recorded in music CD format or MP3 format conforming to ISO9660 Level 1/Level 2, Joliet/Romeo or multi-session.

Playback order of MP3/WMA/AAC files



About iPod

- You can connect to the following iPod models. Update your iPod devices to the latest software before use.

Made for

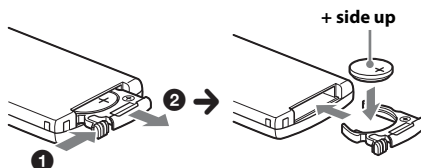
- iPod touch (4th generation)
 - iPod touch (3rd generation)
 - iPod touch (2nd generation)
 - iPod touch (1st generation)
 - iPod classic
 - iPod with video*
 - iPod nano (6th generation)
 - iPod nano (5th generation)
 - iPod nano (4th generation)
 - iPod nano (3rd generation)
 - iPod nano (2nd generation)
 - iPod nano (1st generation)*
 - iPhone 4
 - iPhone 3GS
 - iPhone 3G
 - iPhone
- * Passenger control is not available for iPod nano (1st generation) or iPod with video.
- “Made for iPod,” and “Made for iPhone” mean that an electronic accessory has been designed to connect specifically to iPod or iPhone, respectively, and has been certified by the developer to meet Apple performance standards. Apple is not responsible for the operation of this device or its compliance with safety and regulatory standards. Please note that the use of this accessory with iPod or iPhone may affect wireless performance.

If you have any questions or problems concerning your unit that are not covered in this manual, consult your nearest Sony dealer.

Maintenance

Replacing the lithium battery of the remote commander

When the battery becomes weak, the range of the remote commander becomes shorter. Replace the battery with a new CR2025 lithium battery. Use of any other battery may present a risk of fire or explosion.



Notes on the lithium battery

- Keep the lithium battery out of the reach of children. Should the battery be swallowed, immediately consult a doctor.
- Wipe the battery with a dry cloth to assure a good contact.
- Be sure to observe the correct polarity when installing the battery.
- Do not hold the battery with metallic tweezers, otherwise a short-circuit may occur.

WARNING

Battery may explode if mistreated. Do not recharge, disassemble, or dispose of in fire.

Cleaning the connectors

The unit may not function properly if the connectors between the unit and the front panel are not clean. In order to prevent this, detach the front panel (page 5) and clean the connectors with a cotton swab. Do not apply too much force. Otherwise, the connectors may be damaged.



Notes

- For safety, turn off the ignition before cleaning the connectors, and remove the key from the ignition switch.
- Never touch the connectors directly with your fingers or with any metal device.

Specifications

Tuner section

FM

Tuning range:

87.5 – 108.0 MHz (at 50 kHz step)

87.5 – 108.0 MHz (at 100 kHz step)

87.5 – 107.9 MHz (at 200 kHz step)

FM tuning step: 50 kHz/100 kHz/200 kHz switchable

Antenna (aerial) terminal:

External antenna (aerial) connector

Intermediate frequency: 25 kHz

Usable sensitivity: 8 dBf

Selectivity: 75 dB at 400 kHz

Signal-to-noise ratio: 80 dB (stereo)

Separation: 50 dB at 1 kHz

Frequency response: 20 – 15,000 Hz

AM

Tuning range:

531 – 1,602 kHz (at 9 kHz step)

530 – 1,710 kHz (at 10 kHz step)

AM tuning step: 9 kHz/10 kHz switchable

Antenna (aerial) terminal:

External antenna (aerial) connector

Intermediate frequency:

9,124.5 kHz or 9,115.5 kHz/4.5 kHz (at 9 kHz step)

9,115 kHz or 9,125 kHz/5 kHz (at 10 kHz step)

Sensitivity: 26 μ V

CD Player section

Signal-to-noise ratio: 120 dB

Frequency response: 10 – 20,000 Hz

Wow and flutter: Below measurable limit

USB Player section

Interface: USB (Full-speed)

Maximum current: 1 A

Power amplifier section

Output: Speaker outputs

Speaker impedance: 4 – 8 ohms

Maximum power output: 52 W \times 4 (at 4 ohms)

General

Outputs:

Audio outputs terminal (front, rear/sub switchable)

Power antenna (aerial)/Power amplifier control terminal (REM OUT)

Inputs:

Remote controller input terminal

Antenna (aerial) input terminal

AUX input jack (stereo mini jack)

USB signal input connector

Power requirements: 12 V DC car battery (negative ground (earth))

Dimensions: Approx. 178 \times 50 \times 179 mm (7 ¹/₈ \times 2 \times 7 ¹/₈ in) (w/h/d)

Mounting dimensions: Approx. 182 \times 53 \times 162 mm (7 ¹/₄ \times 2 ¹/₈ \times 6 ¹/₂ in) (w/h/d)

Mass: Approx. 1.2 kg (2 lb 11 oz)

Supplied accessories:

Remote commander: RM-X211

Parts for installation and connections (1 set)

Optional accessory/equipment:

USB connection cable for iPod: RC-100IP

Your dealer may not handle some of the above listed accessories. Please ask the dealer for detailed information.

Design and specifications are subject to change without notice.

Troubleshooting

The following checklist will help you remedy problems you may encounter with your unit. Before going through the checklist below, check the connection and operating procedures.

For details on using the fuse and removing the unit from the dashboard, refer to the installation/connections manual supplied with this unit.

If the problem is not solved, visit the support site on the back cover.

General

No power is being supplied to the unit.

- Check the connection or fuse.
- If the unit is turned off and the display disappears, it cannot be operated with the remote commander.
 - Turn on the unit.

The power antenna (aerial) does not extend.

- The power antenna (aerial) does not have a relay box.

No sound.

- The ATT function is activated.
- The position of the fader control “FADER” is not set for a 2-speaker system.

No beep sound.

- The beep sound is canceled (page 21).
- An optional power amplifier is connected and you are not using the built-in amplifier.

The contents of the memory have been erased.

- The power supply lead or battery has been disconnected or it is not connected properly.

Stored stations and correct time are erased.

The fuse has blown.

Makes noise when the position of the ignition is switched.

- The leads are not matched correctly with the car’s accessory power connector.

During playback or reception, demonstration mode starts.

- If no operation is performed for 5 minutes with “DEMO-ON” set, demonstration mode starts.
 - Set “DEMO-OFF” (page 21).

The display disappears from/does not appear in the display window.

- The dimmer is set to “DIM-ON” (page 21).
- The display disappears if you press and hold **(SOURCE/OFF)**.
 - Press **(SOURCE/OFF)** on the unit until the display appears.
- The connectors are dirty (page 24).

The Auto Off function does not operate.

- The unit is turned on. The Auto Off function activates after turning off the unit.
 - Turn off the unit.

The display disappears while the unit is operating.

- The Black Out function is set to on (page 21).

Remote commander operation is not possible.

- If the Black Out function is activated (no lighting), remote commander operation is not possible (page 21).

Radio reception

The stations cannot be received.

The sound is hampered by noises.

- The connection is not correct.
 - Connect a power antenna (aerial) control lead (blue) or accessory power supply lead (red) to the power supply lead of a car’s antenna (aerial) booster (only when your car has built-in radio antenna (aerial) in the rear/side glass).
 - Check the connection of the car antenna (aerial).
 - If the auto antenna (aerial) will not go up, check the connection of the power antenna (aerial) control lead.
- The tuning step setting has been erased.
 - Set the tuning step again (page 4).

Preset tuning is not possible.

- Store the correct frequency in the memory.
- The broadcast signal is too weak.

Automatic tuning is not possible.

- The broadcast signal is too weak.
 - Perform manual tuning.

RDS**PTY displays “-----.”**

- The current station is not an RDS station.
- RDS data has not been received.
- The station does not specify the program type.

CD playback**The disc cannot be loaded.**

- Another disc is already loaded.
- The disc has been forcibly inserted upside down or in the wrong way.

The disc does not play back.

- Defective or dirty disc.
- The CD-Rs/CD-RWs are not for audio use (page 23).

MP3/WMA/AAC files cannot be played back.

- The disc is incompatible with the MP3/WMA/AAC format and version. For details on playable discs and formats, visit the support site.

MP3/WMA/AAC files take longer to play back than others.

- The following discs take a longer time to start playback.
 - a disc recorded with a complicated tree structure.
 - a disc recorded in Multi Session.
 - a disc to which data can be added.

The display items do not scroll.

- For discs with very many characters, those may not scroll.
- “AUTO SCR” is set to “OFF.”
 - Set “A.SCRL-ON” (page 21).
 - Press and hold **(DSPL)** (SCRL).

The sound skips.

- Installation is not correct.
 - Install the unit at an angle of less than 45° in a sturdy part of the car.
- Defective or dirty disc.

USB playback**You cannot play back items via a USB hub.**

- This unit cannot recognize USB devices via a USB hub.

Cannot play back items.

- A USB device does not work.
 - Reconnect it.

The USB device takes longer to play back.

- The USB device contains files with a complicated tree structure.

The sound is intermittent.


- The sound may be intermittent at a high-bit-rate of more than 320 kbps.

Error displays/Messages

CHECKING

- The unit is confirming the connection of a USB device.
 - Wait until confirming the connection is finished.

ERROR

- The disc is dirty or inserted upside down.
 - Clean or insert the disc correctly.
- A blank disc has been inserted.
- The disc cannot play due to a problem.
 - Insert another disc.
- USB device was not automatically recognized.
 - Reconnect it again.
- Press  to remove the disc.

FAILURE

- The connection of speakers/amplifiers is incorrect.
 - See the installation/connections manual of this model to check the connection.

HUB NO SUPRT (Hubs Not Supported)

- USB hub is not supported on this unit.

NO DEV (No Device)

- USB is selected as source without a USB device connected. A USB device or a USB cable has been disconnected during playback.
 - Be sure to connect a USB device and USB cable.

NO MUSIC

- The disc or USB device does not contain a music file.
 - Insert a music CD in this unit.
 - Connect a USB device with a music file in it.

NO NAME

- A disc/album/artist/track name is not written in the track.

NOT FOUND

- There is no item beginning with the selected letter in Alphabet search.

OFFSET

- There may be an internal malfunction.
 - Check the connection. If the error indication remains on in the display, consult your nearest Sony dealer.

OVERLOAD

- USB device is overloaded.
 - Disconnect the USB device, then change the source by pressing (SOURCE/OFF).
 - Indicates that the USB device is out of order, or an unsupported device is connected.

READ

- The unit is reading all track and album information on the disc.
 - Wait until reading is complete and playback starts automatically. Depending on the disc structure, it may take more than a minute.

USB NO SUPRT (USB Not Supported)

- The connected USB device is not supported.
 - For details on the compatibility of your USB device, visit the support site.

“LLLLL” or “rrrrr”

- During reverse or fast-forward, you have reached the beginning or the end of the disc and you cannot go any further.

“_”

- The character cannot be displayed with the unit.

If these solutions do not help improve the situation, consult your nearest Sony dealer. If you take the unit to be repaired because of CD playback trouble, bring the disc that was used at the time the problem began.

AUTOESTEREO DIGITAL AM/FM CON REPRODUCTOR DE DISCO COMPACTO

POR FAVOR LEA DETALLADAMENTE ESTE MANUAL DE INSTRUCCIONES ANTES DE CONECTAR Y OPERAR ESTE EQUIPO. RECUERDE QUE UN MAL USO DE SU APARATO PODRÍA ANULAR LA GARANTÍA.

Asegúrese de instalar esta unidad en el tablero del automóvil por razones de seguridad. Para realizar la instalación y las conexiones, consulte el manual de instalación y conexiones suministrado.

**CLASS 1
LASER PRODUCT**

Esta etiqueta está situada en la parte inferior del chasis.

ZAPPIN y Quick-BrowZer son marcas comerciales de Sony Corporation.

Windows Media es una marca comercial registrada o una marca comercial de Microsoft Corporation en los EE. UU. y otros países.

Este producto contiene tecnología sujeta a ciertos derechos de propiedad intelectual de Microsoft. La utilización o distribución de esta tecnología fuera de este producto está prohibida sin la licencia(s) apropiada de Microsoft.

iPhone, iPod, iPod classic, iPod nano, y iPod touch son marcas comerciales de Apple Inc., registradas en los Estados Unidos y otros países.

Tecnología de codificación de audio MPEG Layer-3 y patentes bajo licencia de Fraunhofer IIS y Thomson.

Nota sobre la pila de litio

No exponga la pila a fuentes de calor excesivo como luz solar directa, fuego o similar.

Advertencia: si el encendido del automóvil no dispone de una posición ACC

Asegúrese de ajustar la función de desconexión automática (página 23). La unidad se apagará completa y automáticamente en el tiempo establecido después de apagarla, lo cual evita que se agote la batería. Si no ajusta la función de desconexión automática, mantenga presionado (SOURCE/OFF) hasta que se apague la pantalla cada vez que apague el motor.

Tabla de contenidos

Procedimientos iniciales	4
Cambio del intervalo de sintonización de FM/AM	4
Cancelación del modo DEMO	4
Ajuste del reloj	4
Extracción del panel frontal	5
Ubicación de los controles	6
Radio	9
Almacenamiento y recepción de emisoras	9
RDS	9
CD	11
Reproducción de un disco	11
Dispositivos USB	11
Reproducción de un dispositivo USB	11
iPod	12
Reproducción en un iPod	12
Utilización directa del iPod — Control de pasajero	13
Búsqueda y reproducción de pistas	14
Reproducción de pistas en varios modos	14
Búsqueda de una pista por nombre — Quick-BrowZer™	15
Búsqueda de una pista mediante la escucha de fragmentos de pista — ZAPPIN™	16
Cambio de la iluminación	17
Cambio del color de la pantalla y los botones — Iluminador de color dinámico	17
Ajuste de color avanzado	18
Ajustes de sonido y Menú de configuración	19
Cambio de los ajustes de sonido	19
Uso de funciones de sonido sofisticadas — Sistema de sonido avanzado	19
Ajuste de los elementos de configuración	22
Uso de equipo opcional	24
Equipo de audio auxiliar	24
Información complementaria	25
Precauciones	25
Mantenimiento	27
Especificaciones	28
Solución de problemas	29

Procedimientos iniciales

Cambio del intervalo de sintonización de FM/AM

El intervalo de sintonización de FM/AM está ajustado de fábrica en la posición 50 kHz (FM)/9 kHz (AM). Si el sistema de asignación de frecuencias de su país se basa en un intervalo de 200 kHz (FM)/10 kHz (AM) o 100 kHz (FM)/10 kHz (AM), ajuste el intervalo de sintonización antes del uso. Este ajuste aparece cuando la unidad está apagada.

1 Mantenga presionado el botón de selección.

Aparecerá la pantalla de ajustes.

2 Gire el selector de control hasta que aparezca “TUNER-STP” y, a continuación, presiónelo.

3 Gire el selector de control para seleccionar entre “50K/9K”, “100K/10K” o “200K/10K” y, a continuación, presiónelo.

Frecuencia que se puede recibir en función de la configuración de frecuencia seleccionada:

FM 50 kHz: 87,50 MHz; 87,55 MHz;
87,60 MHz...

FM 100 kHz: 87,5 MHz; 87,6 MHz;
87,7 MHz...

FM 200 kHz: 87,5 MHz; 87,7 MHz;
87,9 MHz...

AM 9 kHz: 531 kHz, 540 kHz, 549 kHz...

AM 10 kHz: 530 kHz, 540 kHz, 550 kHz...

Cancelación del modo DEMO

Es posible cancelar la pantalla de demostración que aparece durante el apagado.

1 Mantenga presionado el botón de selección.

Aparecerá la pantalla de ajustes.

2 Gire el selector de control hasta que aparezca “DEMO” y, a continuación, presiónelo.

3 Gire el selector de control para seleccionar “DEMO-OFF” y, a continuación, presiónelo.

El ajuste finalizó.

4 Presione \rightarrow (BACK).

La pantalla vuelve al modo de recepción/reproducción normal.

Ajuste del reloj

El reloj emplea una indicación digital de 12 horas.

1 Mantenga presionado el botón de selección.

Aparecerá la pantalla de ajustes.

2 Gire el selector de control hasta que aparezca “CLOCK-ADJ” y, a continuación, presiónelo.

La indicación de la hora parpadea.

3 Gire el selector de control para ajustar la hora y los minutos.

Para mover la indicación digital, presione (SEEK) -/+.

4 Una vez ajustados los minutos, presione el botón de selección.

El ajuste se completa y el reloj se pone en funcionamiento.

Presione (DSPL) para que aparezca el reloj.

Extracción del panel frontal

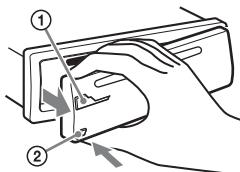
Es posible extraer el panel frontal de la unidad para evitar que la roben.

1 Mantenga presionado **SOURCE/OFF**

①.

La unidad se apagará.

2 Presione el botón de liberación del panel frontal ② y, a continuación, extraiga el panel frontal hacia usted.



Alarma de precaución

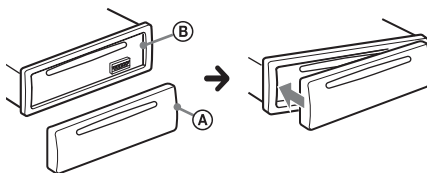
Si gira el interruptor de la llave de encendido hasta la posición OFF sin haber extraído el panel frontal, la alarma de precaución sonará durante unos segundos. La alarma sonará solamente si se utiliza el amplificador incorporado.

Nota

No someta el panel frontal al calor ni a temperaturas altas o excesiva humedad. Evite dejarlo en un automóvil estacionado o sobre el tablero o la bandeja trasera.

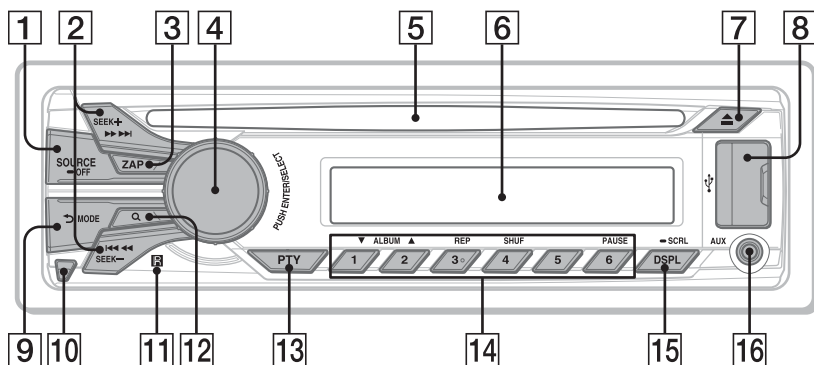
Colocación del panel frontal

Fije la parte ① del panel frontal en la parte ② de la unidad, tal como muestra la ilustración, y presione el lado izquierdo hasta que encaje.



Ubicación de los controles

Unidad principal



Este apartado contiene instrucciones acerca de la ubicación de los controles y las operaciones básicas.

1 Botón SOURCE/OFF

Presione para encender la unidad/para cambiar la fuente (Radio/CD/USB/AUX).

Mantenga presionado durante 1 segundo para apagar la unidad.
Mantenga presionado durante más de 2 segundos para apagar la unidad y la pantalla desaparece.

2 Botones SEEK +/-

Radio:

Para sintonizar emisoras en forma automática (presionar); para localizar una emisora en forma manual (mantener presionado).

CD/USB:

Para omitir pistas (presionar); para omitir pistas en forma continua (presionar y volver a presionar al cabo de 1 segundo y mantener presionado); para retroceder o avanzar una pista rápidamente (mantener presionado).

3 Botón ZAP página 16

Para acceder al modo ZAPPIN™.

4 Selector de control/botón de selección página 19, 22

Para ajustar el volumen (girar); para seleccionar elementos de configuración (presionar y girar).

5 Ranura del disco

Inserte el disco (con la etiqueta mirando hacia arriba) y se iniciará la reproducción.

6 Visualizador

7 Botón ▲ (expulsar)

Para expulsar el disco.

8 Conector USB página 11, 12

9 Botón ↶ (BACK)/MODE página 9, 13

Presione este botón para volver a la pantalla anterior; para seleccionar la banda de radio (FM/AM).
Manténgalo presionado para acceder o cancelar el modo de control del pasajero.

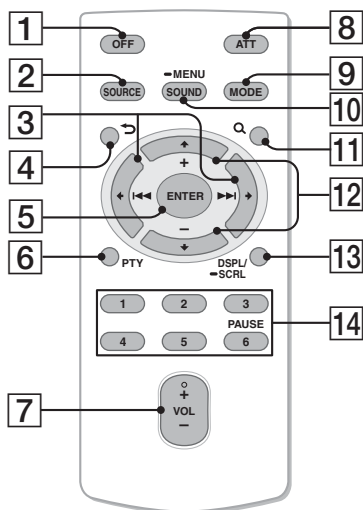
- 10 Botón de liberación del panel frontal** página 5
- 11 Receptor del control remoto**
- 12 Botón Q (BROWSE)** página 15
Para acceder al modo Quick-BrowZer™.
- 13 Botón PTY** página 10
Para seleccionar PTY en RDS.
- 14 Botones numéricos**
Radio:
Para recibir las emisoras almacenadas (presionar); para almacenar emisoras (mantener presionado).
CD/USB:
① / ②: **ALBUM ▼/▲** (durante la reproducción de MP3/WMA/AAC)
Para omitir álbumes (presionar); para omitir álbumes continuamente (mantener presionado).
③: **REP*** página 14
④: **SHUF** página 14
⑥: **PAUSE**
Para pausar la reproducción. Para cancelar esta función, vuelva a presionarlo.
- 15 Botón DSPL (pantalla)/SCRL (desplazamiento)**
página 10, 11, 12, 13
Para cambiar los elementos de pantalla (presionar); para desplazar el elemento de la pantalla (mantener presionado).
- 16 Toma de entrada AUX** página 24

* Este botón tiene un punto sensible al tacto.

Nota

Si la unidad está apagada y desaparece la indicación de pantalla, no se podrá utilizar con el control remoto salvo que se presione **(SOURCE/OFF)** en la unidad o se inserte un disco para activarla en primer lugar.

Control remoto RM-X211



Retire la película de aislamiento antes de usar la unidad.



1 Botón OFF

Para apagar la alimentación; para detener la fuente.

2 Botón SOURCE

Para activar la alimentación; para cambiar la fuente (Radio/CD/USB/AUX).

3 Botones ◀ (◀◀)/▶ (▶▶)

Para controlar la Radio/CD/USB, de la misma manera que con (SEEK) -/+ en la unidad.

Es posible ajustar la configuración, los ajustes de sonido, etc. mediante ◀ ▶.

4 Botón ↶ (BACK)

5 Botón ENTER

Para aplicar un ajuste.

6 Botón PTY

7 Botón VOL (volumen) +/-

8 Botón ATT (atenuar)

Para atenuar el sonido. Para cancelar esta función, vuelva a presionarlo.

9 Botón MODE

Presione este botón para seleccionar la banda de radio (FM/AM). Manténgalo presionado para acceder o cancelar el modo de control del pasajero.

10 Botón SOUND/MENU

Para acceder a ajustes de sonido (presionar); para acceder al menú (mantener presionado).

11 Botón Q (BROWSE)

12 Botones ↑ (+)/↓ (-)

Para controlar el CD/USB, de la misma manera que con (1)/(2) (ALBUM ▼/▲) en la unidad.

Es posible ajustar la configuración, los ajustes de sonido, etc. mediante ↑ ↓.

13 Botón DSPL/SCRL

14 Botones numéricos

Para recibir las emisoras almacenadas (presionar); para almacenar emisoras (mantener presionado).

Para pausar la reproducción (presione (6)).

* Este botón tiene un punto sensible al tacto.

Radio

Almacenamiento y recepción de emisoras

Se debe ajustar el intervalo de sintonización (página 4).

Notas

- Si se cambia el ajuste de intervalo de sintonización, se borrarán las emisoras almacenadas.
- Si reemplaza la batería del automóvil o se cambian las conexiones, el ajuste del intervalo de sintonización se borra y deberá configurarlo de nuevo.

Precaución

Para sintonizar emisoras mientras maneja, utilice la función BTM (Memoria de la mejor sintonía) para evitar accidentes.

Almacenamiento automático — BTM

- 1 Presione **(SOURCE/OFF)** varias veces hasta que aparezca “TUNER”.**
Para cambiar de banda, presione **(MODE)** varias veces. Puede seleccionar entre FM1, FM2, FM3, AM1 y AM2.
- 2 Mantenga presionado el botón de selección.**
Aparecerá la pantalla de ajustes.
- 3 Gire el selector de control hasta que aparezca “BTM” y, a continuación, presiónelo.**
La unidad almacena las emisoras en el orden de frecuencia en los botones numéricos.

Almacenamiento manual

- 1 Mientras recibe la emisora que desea almacenar, mantenga presionado un botón numérico (de **(1)** a **(6)**) hasta que aparezca “MEM”.**

Recepción de las emisoras almacenadas

- 1 Seleccione la banda y, a continuación, presione un botón numérico (de **(1)** a **(6)**).**

Sintonización automática

- 1 Seleccione la banda y, a continuación, presione **(SEEK) +/-** para buscar la emisora.**

La búsqueda se detiene cuando la unidad recibe una emisora. Repita este procedimiento hasta recibir la emisora deseada.

Sugerencia

Si conoce la frecuencia de la emisora que desea escuchar, mantenga presionado **(SEEK) +/-** para localizar la frecuencia aproximada y, a continuación, presione **(SEEK) +/-** varias veces para ajustar la frecuencia deseada con mayor precisión (sintonización manual).

RDS

Las emisoras de radio FM que tienen el servicio de Sistema de datos de radio (RDS) envían información digital inaudible junto a la señal habitual del programa de radio.

Notas

- Dependiendo del país o región, puede que no estén disponibles todas las funciones RDS.

- RDS no funcionará si la intensidad de la señal es muy débil o si la emisora que sintonizó no transmite datos RDS.

Cambio de los elementos de pantalla

Presione **(DSPL)**.

Selección de PTY (Tipos de programa)

Muestra el tipo de programa que se está recibiendo en ese momento. Asimismo, busca el tipo de programa seleccionado.

1 Presione **(PTY)** durante la recepción de FM.

Si la emisora está transmitiendo datos PTY, aparece el nombre del tipo de programa actual.

2 Gire el selector de control hasta que aparezca el tipo de programa deseado y, a continuación, presiónelo.

La unidad comienza a buscar una emisora que emita el tipo de programa seleccionado.

Tipos de programas

NEWS (Noticias), **AFFAIRS** (Temas de actualidad), **INFO** (Información), **SPORT** (Deportes), **EDUCATE** (Educación), **DRAMA** (Drama), **CULTURE** (Cultura), **SCIENCE** (Ciencia), **VARIED** (Variados), **POP M** (Música popular), **ROCK M** (Música rock), **EASY M** (Música ligera), **LIGHT M** (Clásica ligera), **CLASSICS** (Clásica), **OTHER M** (Otros tipos de música), **WEATHER** (El tiempo), **FINANCE** (Finanzas), **CHILDREN** (Programas infantiles), **SOCIAL A** (Temas de sociedad), **RELIGION** (Religión), **PHONE IN** (Entrada de teléfono), **TRAVEL** (Viajes), **LEISURE** (Ocio), **JAZZ** (Música jazz), **COUNTRY** (Música country), **NATION M** (Música nacional), **OLDIES** (Música de décadas pasadas), **FOLK M** (Música folk), **DOCUMENT** (Documental)

Nota

Puede recibir un programa de radio distinto del que seleccionó.

Ajuste de CT (Hora del reloj)

Los datos CT de la transmisión RDS ajustan el reloj.

1 Ajuste “CT-ON” en la configuración (página 22).

Nota

Puede que la función CT no funcione correctamente a pesar de que se reciba una emisora RDS.

CD

Reproducción de un disco

Esta unidad permite reproducir discos CD-DA (incluidos CD TEXT) y CD-R/CD-RW (archivos MP3/WMA/AAC (página 25)).

1 Inserte el disco (con la etiqueta orientada hacia arriba).

La reproducción se inicia automáticamente.

Para expulsar el disco, presione ▲.

Nota

Al expulsar o insertar un disco, mantenga desconectado cualquier dispositivo USB para evitar dañar el disco.

Cambio de los elementos de pantalla

Es posible que los elementos que se muestran varíen en función del tipo de disco, el formato de grabación y los ajustes. Presione (DSPL).

Dispositivos USB

- Es posible utilizar dispositivos USB de almacenamiento masivo (MSC) que cumplan con el estándar USB.
- Los códecs correspondientes son MP3 (.mp3), WMA (.wma), AAC (.m4a) y AAC (.mp4).
- Se recomienda realizar una copia de seguridad de los datos almacenados en los dispositivos USB.

Para obtener más información acerca de la compatibilidad del dispositivo USB, visite el sitio web del soporte técnico mencionado en la cubierta posterior.

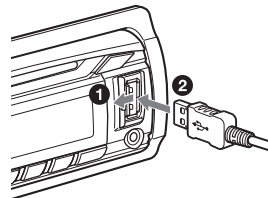
Nota

Conecte el dispositivo USB después de encender el motor.

En función del tipo de dispositivo USB, si lo conecta antes de encender el motor, es posible que el dispositivo USB no funcione correctamente o que se dañe.

Reproducción de un dispositivo USB

- 1 Abra la cubierta del dispositivo USB y, a continuación, conecte el dispositivo USB al conector USB con el cable USB.



Se inicia la reproducción.

Si ya hay un dispositivo USB conectado, presione (SOURCE/OFF) varias veces hasta que aparezca “USB” para empezar la reproducción.

Para detener la reproducción, mantenga presionado **(SOURCE/OFF)** durante 1 segundo.

Para retirar el dispositivo USB, detenga la reproducción USB y, a continuación, retire el dispositivo USB.

Notas

- No utilice dispositivos USB demasiado grandes o pesados, ya que se podrían caer debido a la vibración, o bien, provocar una conexión deficiente.
- No extraiga el panel frontal durante la reproducción del dispositivo USB, ya que podría dañar los datos del USB.

Cambio de los elementos de pantalla

Es posible que los elementos que se muestran varíen en función del dispositivo USB, el formato de grabación y los ajustes. Presione **(DSP/L)**.

Notas

- El número máximo de datos que se pueden visualizar es el siguiente.
 - carpetas (álbumes): 128
 - archivos (pistas) por carpeta: 500
- Es posible que el inicio de la reproducción demore un poco, en función de la cantidad de datos grabados.
- Es posible que no se puedan reproducir archivos DRM (Gestión de derechos digitales).
- Durante la reproducción de un archivo MP3/WMA/AAC de VBR (Velocidad de bits variable) o al avanzar o retroceder rápidamente, es posible que el tiempo de reproducción transcurrido no se muestre con precisión.
- No es posible reproducir los archivos MP3/WMA/AAC que se indican a continuación.
 - archivos con formato de compresión sin pérdida
 - archivos protegidos por derechos de autor

iPod

En este Manual de instrucciones, “iPod” se utiliza como referencia general para las funciones del iPod en el iPod y el iPhone, a menos que se especifique lo contrario en el texto o en las ilustraciones.

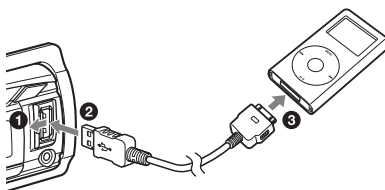
Para obtener más información acerca de la compatibilidad de su iPod, consulte “Acerca de iPod” (página 26) o visite el sitio web del soporte técnico mencionado en la cubierta posterior.

Reproducción en un iPod

Antes de conectar el iPod, baje el volumen de la unidad.

- 1 Abra la cubierta del dispositivo USB y, a continuación, conecte el iPod al conector USB con el cable de conexión USB para iPod (no suministrado)*.**

* Se recomienda utilizar el cable de conexión USB RC-100IP para iPod.



Las pistas del iPod empiezan a reproducirse automáticamente a partir del punto en el que se detuvo la última reproducción.

Si ya hay un iPod conectado, presione **(SOURCE/OFF)** varias veces hasta que aparezca “USB” para iniciar la reproducción. (“IPD” aparecerá en la pantalla cuando se reconozca el iPod).

Para detener la reproducción, mantenga presionado (SOURCE/OFF) durante 1 segundo.

Para retirar el iPod, detenga la reproducción del iPod y, a continuación, retire el iPod.

Precaución para iPhone

Al conectar un iPhone mediante USB, el volumen del teléfono se controla a través del iPhone. Para que el volumen del dispositivo no sea extremadamente alto tras una llamada, durante las llamadas, no lo aumente en la unidad.

Nota

No extraiga el panel frontal durante la reproducción del iPod, ya que podría dañar los datos.

Sugerencia

El iPod se recarga mientras la unidad está encendida.

Modo de reanudación

Cuando el iPod está conectado al conector de base, la reproducción comienza en el modo definido en el iPod. En este modo, no es posible utilizar los botones siguientes.

- (3) (REP)
- (4) (SHUF)

Cambio de los elementos de pantalla

Presione (DSPL).

Nota

Es posible que algunos caracteres almacenados en el iPod no se visualicen correctamente.

Omitir álbumes, podcasts, géneros, listas de reproducción y artistas

Para	Realice esta acción
Omitir	Presionar (1) / (2) (ALBUM ▼/▲) [presionar una vez para cada opción]
Omitir en forma continua	Mantener presionado (1) / (2) (ALBUM ▼/▲) [mantener presionado hasta llegar al punto deseado]

Utilización directa del iPod — Control de pasajero

Puede utilizar un iPod directamente aunque esté conectado al conector de base.

1 Durante la reproducción, mantenga presionado (MODE).

Aparece “MODE IPOD” y se puede utilizar el iPod directamente.

Para salir del modo de control de pasajero, mantenga presionado (MODE).

A continuación, aparecerá “MODE AUDIO” y el modo de reproducción cambiará al modo iPod.

Nota

Sólo es posible ajustar el volumen en la unidad.

Búsqueda y reproducción de pistas

Reproducción de pistas en varios modos

Puede escuchar pistas de manera repetida (reproducción repetida) o en orden aleatorio (reproducción aleatoria). Los modos de reproducción disponibles varían según la fuente de sonido seleccionada.

1 Durante la reproducción, presione ③ (REP) o ④ (SHUF) varias veces hasta que aparezca el modo de reproducción deseado.

Es posible que la reproducción en el modo de reproducción seleccionado tarde en iniciarse.

Reproducción repetida

Seleccione	Para reproducir
↶ TRACK	pistas en forma repetida.
↶ ALBUM	álbumes en forma repetida.
↶ PODCAST* ¹	podcasts en forma repetida.
↶ ARTIST* ¹	artistas en forma repetida.
↶ PLAYLIST* ¹	listas de reproducción en forma repetida.
↶ GENRE* ¹	género en forma repetida.
↶ OFF	pistas en orden normal (reproducción normal).

Reproducción aleatoria

Seleccione	Para reproducir
SHUF ALBUM	álbumes en orden aleatorio.
SHUF DISC* ²	discos en orden aleatorio.
SHUF PODCAST* ¹	podcasts en orden aleatorio.
SHUF ARTIST* ¹	artistas en orden aleatorio.
SHUF PLAYLIST* ¹	listas de reproducción en orden aleatorio.
SHUF GENRE* ¹	género en orden aleatorio.
SHUF DEVICE* ³	dispositivos en orden aleatorio.
SHUF OFF	pistas en orden normal (reproducción normal).

*1 Sólo iPod

*2 Sólo CD

*3 Sólo USB y iPod

Búsqueda de una pista por nombre — Quick-BrowZer™

Puede buscar una pista fácilmente en un CD o dispositivo USB por categoría.

1 Presione Q (BROWSE)*.

La unidad accede al modo Quick-BrowZer y aparece la lista de categorías de búsqueda.

Cuando aparece la lista de pistas, presione **↵** (BACK) varias veces hasta que la categoría de búsqueda deseada aparezca.

* Durante la reproducción, presione Q (BROWSE) por más de 2 segundos para regresar directamente al principio de la lista de la categoría (sólo USB).

2 Gire el selector de control para seleccionar la categoría de búsqueda deseada y, a continuación, presiónelo para confirmarla.

3 Repita el paso 2 hasta que se seleccione la pista deseada.

Se inicia la reproducción.

Para salir del modo Quick-BrowZer, presione Q (BROWSE).

Nota

Al acceder al modo Quick-BrowZer, se cancela el ajuste de reproducción repetida/aleatoria.

Búsqueda por omisión de elementos — Modo de Omisión

Cuando varios elementos se encuentran dentro de una misma categoría, es posible encontrar el elemento deseado rápidamente.

1 Presione **(SEEK)** + en el modo Quick-BrowZer.

A continuación, aparecerá el nombre del elemento.

2 Gire el selector de control para seleccionar el elemento cercano al deseado.

Omite en incrementos del 10% del número total de elementos.

3 Presione el botón de selección.

Vuelve a la pantalla del modo Quick-BrowZer y aparece el elemento seleccionado.

4 Gire el selector de control para seleccionar el elemento deseado y presiónelo.

Si el elemento seleccionado es una pista, empieza la reproducción.

Para cancelar el modo de Omisión, presione **↵** (BACK) o **(SEEK)** -.

Búsqueda por orden alfabético — Búsqueda alfabética

Cuando se conecta un iPod a la unidad, es posible buscar un elemento deseado de manera alfabética.

1 Presione **(SEEK)** + en el modo Quick-BrowZer.



2 Gire el selector de control para seleccionar la primera letra del elemento deseado y, a continuación, presiónelo.

Aparecerá una lista ordenada alfabéticamente de los elementos que comienzan por la letra seleccionada.

3 Gire el selector de control para seleccionar el elemento deseado y, a continuación, presiónelo.

Si el elemento seleccionado es una pista, empieza la reproducción.

Para cancelar la Búsqueda alfabética, presione **↩** (BACK) o **(SEEK)** -.

Notas

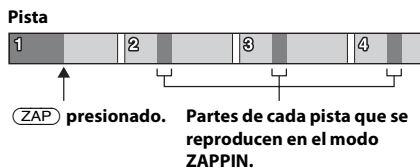
- En la Búsqueda alfabética se excluyen los símbolos o los artículos (un, una, unos, unas, el, la, los, las) situados delante de la letra seleccionada del elemento.
- En función del elemento de búsqueda que seleccione, es posible que solamente esté disponible el modo de Omisión.
- La Búsqueda alfabética puede tardar un tiempo, en función de la cantidad de pistas.

Búsqueda de una pista mediante la escucha de fragmentos de pista — ZAPPIN™

Es posible buscar una pista que desee escuchar mediante la reproducción de pequeños fragmentos de pistas de un CD o dispositivo USB de forma secuencial. El modo ZAPPIN es adecuado para buscar pistas en el modo de reproducción aleatoria o de repetición aleatoria.

1 Presione **(ZAP)** durante la reproducción.

La reproducción se iniciará a partir del fragmento de la pista siguiente. Puede seleccionar el tiempo de reproducción (página 23).



2 Presione el botón de selección o **(ZAP)** cuando se reproduzca una pista que desea escuchar.

La pista seleccionada se reproduce normalmente desde el principio.

Para confirmar una pista que se va a reproducir, presione **↩** (BACK).

Sugerencia

- Presione **(SEEK)** +/- en el modo ZAPPIN para omitir una pista.
- Presione **(1)/(2)** (ALBUM ▼/▲) en el modo ZAPPIN para omitir un álbum.

Cambio de la iluminación

Cambio del color de la pantalla y los botones — Iluminador de color dinámico

El Iluminador de color dinámico le permite cambiar el color de la pantalla y los botones de la unidad principal para que coincidan con los del interior del vehículo. Es posible seleccionar entre 12 colores predefinidos, un color personalizado y 5 patrones predefinidos.

Colores predefinidos:

RED, AMBER, M_AMBER, YELLOW, WHITE, LIGHT GREEN, GREEN, LIGHT BLUE, SKY BLUE, BLUE, PURPLE, PINK.

Patrones predefinidos:

RAINBOW, OCEAN, SUNSET, FOREST, RANDOM.

- 1 Mantenga presionado el botón de selección.**
Aparecerá la pantalla de ajustes.
- 2 Gire el selector de control hasta que aparezca “COLOR” y, a continuación, presiónelo.**
- 3 Gire el selector de control para seleccionar el color predefinido deseado y, a continuación, presiónelo.**
- 4 Presione ↵ (BACK).**

Nota

Si el selector de control se gira rápidamente, el color de la pantalla y los botones pueden cambiar demasiado rápido.

Personalización del color de la pantalla y de los botones — Color personalizado

Es posible registrar un color personalizado para la pantalla y los botones.

- 1 Mantenga presionado el botón de selección.**
Aparecerá la pantalla de ajustes.
- 2 Gire el selector de control hasta que aparezca “CUSTOM-C” y, a continuación, presiónelo.**
- 3 Gire el selector de control hasta que aparezca “BASE” y, a continuación, presiónelo.**
Es posible seleccionar un color predefinido como base para una personalización más precisa.
Si selecciona “BASE”, se sobrescribirá el color personalizado.
- 4 Gire el selector de control para seleccionar entre “RGB RED”, “RGB GRN” o “RGB BLUE” y, a continuación, presiónelo.**
- 5 Gire el selector de control para ajustar la gama de colores y, a continuación, presiónelo.**
Gama de colores ajustables: “0” – “32”.
No puede definir “0” para todas las gamas de colores.
- 6 Presione ↵ (BACK).**

Cambio del modo de color DAY/NIGHT

Puede definir un color diferente para DAY/NIGHT según el ajuste DIMMER.

Modo de color	DIMMER*1
DAY	OFF o AUTO (apague la luz principal*2)
NIGHT	ON o AUTO (encienda la luz principal*2)

- *1 Si desea obtener más información sobre DIMMER, consulte la página 23.
- *2 Disponible solamente si el cable de control de iluminación está conectado.
- 1** Seleccione “DAYNIGHT” en el paso 2.
- 2** Seleccione “DAY” o “NIGHT”.
- 3** Personalice el canal predefinido desde el paso 2 al 5.

Ajuste de color avanzado

Cambio del color con sincronización de sonidos — Sincronización de sonidos

Al seleccionar un patrón predefinido, la sincronización de sonidos se vuelve efectiva.

- 1** Mantenga presionado el botón de selección.
Aparecerá la pantalla de ajustes.
- 2** Gire el selector de control hasta que aparezca “SND SYNC” y, a continuación, presiónelo.
- 3** Gire el selector de control para seleccionar “SYNC-ON” y, a continuación, presiónelo.
- 4** Presione ↵ (BACK).

Visualización de colores claros — Menú Blanco

Es posible visualizar el menú de manera más clara (en blanco) sin preocuparse del ajuste del color.

- 1** Mantenga presionado el botón de selección.
Aparecerá la pantalla de ajustes.

- 2** Gire el selector de control hasta que aparezca “WHT MENU” y, a continuación, presiónelo.
- 3** Gire el selector de control para seleccionar “WHITE-ON” y, a continuación, presiónelo.
- 4** Presione ↵ (BACK).

Para cancelar el Menú Blanco, seleccione “OFF” en el paso 3.

Efecto de arranque — Arranque Blanco

Cuando presiona (SOURCE/OFF), el color de la pantalla y de los botones de la unidad principal se vuelve blanco y, a continuación, el color cambia al color personalizado.

- 1** Mantenga presionado el botón de selección.
Aparecerá la pantalla de ajustes.
- 2** Gire el selector de control hasta que aparezca “START-WHT” y, a continuación, presiónelo.
- 3** Gire el selector de control para seleccionar “WHITE-ON” y, a continuación, presiónelo.
- 4** Presione ↵ (BACK).

Para cancelar el Arranque Blanco, seleccione “OFF” en el paso 3.

Ajustes de sonido y Menú de configuración

Cambio de los ajustes de sonido

Ajuste de las características de sonido

- 1 Durante la recepción/reproducción, presione el botón de selección.
- 2 Gire el selector de control hasta que aparezca el elemento de menú deseado y, a continuación, presiónelo.
- 3 Gire el selector de control para seleccionar el ajuste y, a continuación, presiónelo.
- 4 Presione **↩** (BACK).

Puede ajustar los elementos siguientes:

EQ7 PRESET (página 19)

EQ7 SETTING (página 20)

POSITION

SET POSITION (configuración de la posición de escucha) (página 20)

ADJ POSITION^{*1} (ajuste de la posición de escucha) (página 21)

SET SW POS^{*1}^{*2} (configuración de la posición del altavoz potenciador de graves) (página 21)

BALANCE

Permite ajustar el balance de sonido: “RIGHT-15” – “CENTER” – “LEFT-15”.

FADER

Permite ajustar el nivel relativo: “FRONT-15” – “CENTER” – “REAR-15”.

DM+ (página 21)

RB ENH (potenciador de sonidos graves posteriores) (página 22)

SW LEVEL^{*2} (nivel del altavoz potenciador de graves)

Permite ajustar el nivel de volumen del altavoz potenciador de graves: “+10 dB” – “0 dB” – “-10 dB”. (“ATT” aparece en pantalla con el ajuste más bajo).

AUX VOL^{*3} (nivel de volumen AUX)

Ajusta el nivel de volumen de cada equipo auxiliar conectado: “+18 dB” – “0 dB” – “-8 dB”.

Este ajuste elimina la necesidad de ajustar el nivel de volumen entre fuentes.

*1 Permanece oculto cuando “SET POSITION” se ajusta en “OFF”.

*2 Cuando la salida de audio se ajusta en “SUB-OUT” (página 23).

*3 Si está activada la fuente AUX (página 24).

Uso de funciones de sonido sofisticadas — Sistema de sonido avanzado

El Sistema de sonido avanzado crea un campo de sonido ideal en el automóvil gracias a su procesamiento digital de señal.

Selección de la calidad de sonido — Preajuste de EQ7

Puede seleccionar una curva de ecualizador entre 7 tipos de música (XPLOD, VOCAL, EDGE, CRUISE, SPACE, GRAVITY, CUSTOM u OFF).

- 1 Durante la recepción/reproducción, presione el botón de selección.

- 2** Gire el selector de control hasta que aparezca “EQ7 PRESET” y, a continuación, presiónelo.
- 3** Gire el selector de control hasta que aparezca la curva de ecualizador deseada y, a continuación, presiónelo.

4 Presione **↩** (BACK).

Para cancelar la curva de ecualizador, seleccione “OFF” en el paso 3.

Sugerencia

El ajuste de la curva de ecualizador se puede memorizar para cada fuente.

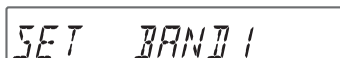
Personalización de la curva de ecualizador — Ajuste de EQ7

“CUSTOM” de EQ7 le permite realizar sus propios ajustes en el ecualizador.

- 1** Seleccione una fuente y, a continuación, presione el botón de selección.
- 2** Gire el selector de control hasta que aparezca “EQ7 SETTING” y, a continuación, presiónelo.
- 3** Gire el selector de control hasta que aparezca “BASE” y, a continuación, presiónelo.
Es posible seleccionar una curva de ecualizador como base para una personalización más precisa.
- 4** Gire el selector de control para seleccionar la curva de ecualizador y, a continuación, presiónelo.

5 Ajuste de la curva de ecualizador.

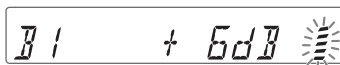
- 1** Gire el selector de control para seleccionar el rango de frecuencia y, a continuación, presiónelo.



- BAND1: 63 Hz
- BAND2: 160 Hz
- BAND3: 400 Hz
- BAND4: 1 kHz
- BAND5: 2,5 kHz
- BAND6: 6,3 kHz
- BAND7: 16,0 kHz

- 2** Gire el selector de control para ajustar el nivel de volumen y, a continuación, presiónelo.

El nivel de volumen puede ajustarse en intervalos de 1 dB, entre -6 dB y +6 dB.



Repita los pasos **1** y **2** para ajustar otros rangos de frecuencia.

6 Presione **↩** (BACK) dos veces.

La curva de ecualizador se almacena en “CUSTOM”.

Optimización del sonido mediante la Alineación de tiempo — Posición de escucha

La unidad puede demorar la salida de sonido de cada altavoz con el fin de adaptarse a su posición y simular un campo de sonido natural.

A continuación se enumeran las opciones de "POSITION".

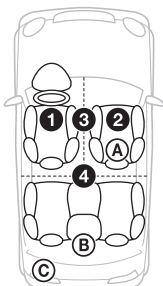
FRONT L (1): izquierda delantera

FRONT R (2): derecha delantera

FRONT (3): delantera central

ALL (4): en el centro del automóvil

OFF: sin configuración de posición



Asimismo, puede configurar la posición aproximada del altavoz potenciador de graves desde su posición de escucha si:

- la salida de audio se ajusta en "SUB-OUT" (página 23).
- la posición de escucha se ajusta en una opción distinta de "OFF".

A continuación se indican las opciones para "SET SW POS":

NEAR (A): cerca

NORMAL (B): normal

FAR (C): lejos

- 1 Durante la recepción/reproducción, presione el botón de selección.**
- 2 Gire el selector de control hasta que aparezca "SET POSITION" y, a continuación, presiónelo.**
- 3 Gire el selector de control para seleccionar entre "FRONT L", "FRONT R", "FRONT" o "ALL" y, a continuación, presiónelo.**
- 4 Gire el selector de control hasta que aparezca "SET SW POS" y, a continuación, presiónelo.**
- 5 Gire el selector de control para seleccionar la posición del altavoz potenciador de graves entre "NEAR", "NORMAL" o "FAR" y, a continuación, presiónelo.**

6 Presione ↵ (BACK).

Para cancelar la posición de escucha, seleccione "OFF" en el paso 3.

Ajuste de la posición de escucha

Es posible realizar un ajuste fino de la posición de escucha.

- 1 Durante la recepción/reproducción, presione el botón de selección.**
- 2 Gire el selector de control hasta que aparezca "ADJ POSITION" y, a continuación, presiónelo.**
- 3 Gire el selector de control para ajustar la posición de escucha y, a continuación, presiónelo.**
Rango ajustable: "+3" – "CENTER" – "-3".

4 Presione ↵ (BACK).

DM+ Avanzado

DM+ Avanzado mejora el sonido comprimido digitalmente, ya que restaura las altas frecuencias que se pierden en el proceso de compresión.

- 1 Durante la reproducción, presione el botón de selección.**
- 2 Gire el selector de control hasta que aparezca "DM+" y, a continuación, presiónelo.**
- 3 Gire el selector de control para seleccionar "ON" y, a continuación, presiónelo.**
- 4 Presione ↵ (BACK).**

Sugerencia

El ajuste de DM+ se puede memorizar para cada fuente.

Uso de los altavoces posteriores como altavoz potenciador de graves — Potenciador de sonidos graves posteriores

El Potenciador de sonidos graves posteriores mejora los sonidos graves, ya que aplica el ajuste del filtro de paso bajo (página 24) a los altavoces posteriores. Esta función permite que los altavoces posteriores funcionen como altavoces potenciadores de graves si uno de ellos no está conectado.

- 1 Durante la recepción/reproducción, presione el botón de selección.**
- 2 Gire el selector de control hasta que aparezca “RB ENH” y, a continuación, presiónelo.**
- 3 Gire el selector de control para seleccionar entre “1”, “2” o “3” y, a continuación, presiónelo.**
- 4 Presione ↵ (BACK).**

Ajuste de los elementos de configuración

- 1 Mantenga presionado el botón de selección.**
Aparecerá la pantalla de ajustes.
- 2 Gire el selector de control hasta que aparezca el elemento deseado y, a continuación, presiónelo.**
- 3 Gire el selector de control para seleccionar el ajuste y, a continuación, presiónelo.***
El ajuste finalizó.
- 4 Presione ↵ (BACK).**

* No es necesario realizar el paso 4 para los ajustes de CLOCK-ADJ, TUNER-STP y BTM.

Se pueden definir los siguientes elementos según la fuente y el ajuste:

CLOCK-ADJ (Ajuste del reloj) (página 4)

TUNER-STP*¹ (Intervalo de sintonización) (página 4)

CT (Hora del reloj)
Activa la función CT: “ON”, “OFF” (página 10).

BEEP
Activa el sonido de los pitidos: “ON”, “OFF”.

CAUT ALM*¹ (Alarma de precaución)
Activa la alarma de precaución: “ON”, “OFF” (página 5).

AUX-A*¹ (Audio AUX)
Activa la visualización de la fuente AUX: “ON”, “OFF” (página 24).

AUTO OFF

Desconecta la alimentación automáticamente una vez transcurrido un período de tiempo deseado cuando la unidad está apagada: “NO”, “30S (segundos)”, “30M (minutos)”, “60M (minutos)”.

REAR/SUB*1

Permite cambiar la salida de audio: “SUB-OUT” (altavoz potenciador de graves), “REAR-OUT” (amplificador de potencia).

BLK OUT (Desactivación de la pantalla)

Permite desactivar la iluminación de una fuente automáticamente (por ejemplo, durante la recepción de radio/reproducción de un CD, etc.), si no se efectúa ninguna operación durante 5 segundos: “ON”, “OFF”.

Para volver a activar la luz, presione cualquier botón de la unidad. (Una vez activado, el funcionamiento remoto ya no está disponible.)

DEMO (Demostración)

Activa la demostración: “ON”, “OFF”.

DIMMER

Cambia el brillo de la pantalla.

- “AT”: para que la pantalla se atenúe automáticamente al encender la luz. (Disponible solamente si el cable de control de iluminación está conectado.)
 - “ON”: para atenuar la pantalla.
 - “OFF”: para desactivar el atenuador.
-

COLOR (Color predefinido)

Selecciona el color predefinido de la pantalla y de los botones de la unidad principal (página 17).

CUSTOM-C (Color personalizado)

Selecciona un color predefinido como base para una personalización más precisa (página 17).

SND SYNC

Selecciona el color con la sincronización de sonido: “ON”, “OFF”.

WHT MENU

Ajusta el efecto cuando se cambia la fuente: “ON”, “OFF”.

START-WHT

Ajusta el color de inicio: “ON”, “OFF”.

M.DISPLAY (Desplazamiento de indicaciones)

- “SA”: para mostrar patrones en movimiento y el analizador de espectro.
 - “OFF”: para desactivar el Desplazamiento de indicaciones.
-

AUTO SCR (Desplazamiento automático)

Permite desplazarse por los elementos de la pantalla automáticamente: “ON”, “OFF”.

ZAP TIME (Tiempo de reproducción del modo Zappin)

- Permite seleccionar el tiempo de reproducción de la función ZAPPIN.
- “Z.TIME-1 (6 segundos aprox.)”,
 - “Z.TIME-2 (15 segundos aprox.)”,
 - “Z.TIME-3 (30 segundos aprox.)”.
-

ZAP BEEP (Pitidos del modo Zappin)

Incluye sonido de pitido entre fragmentos de pistas: “ON”, “OFF”.

LPF FREQ*2 (Frecuencia de filtro de paso bajo)

Selecciona la frecuencia de corte del altavoz potenciador de graves: “50Hz”, “60Hz”, “80Hz”, “100Hz”, “120Hz”.

LPF SLOP*2 (Pendiente del filtro de paso bajo)

Selecciona la pendiente LPF: “1”, “2”, “3”.

SW PHASE*3 (Fase del altavoz potenciador de graves)

Selecciona la fase del altavoz potenciador de graves: “NORM”, “REV”.

HPF FREQ (Frecuencia de filtro de paso alto)

Selecciona la frecuencia de corte del altavoz frontal/posterior: “OFF”, “50Hz”, “60Hz”, “80Hz”, “100Hz”, “120Hz”.

HPF SLOP (Pendiente del filtro de paso alto)

Selecciona la pendiente HPF (efectivo solamente cuando HPF FREQ se ajusta en un valor diferente a "OFF"): "1", "2", "3".

LOUDNESS (Sonoridad dinámica)

Refuerza los graves y agudos para obtener un sonido claro a niveles de volumen bajos: "ON", "OFF".

ALO (Optimizador de nivel automático)

Ajusta el volumen de reproducción de todas las fuentes de reproducción en un nivel óptimo: "ON", "OFF".

BTM (página 9)

- *1 Cuando la unidad está apagada.
- *2 Cuando la salida de audio se ajusta en "SUB-OUT" o el Potenciador de sonidos graves posteriores se ajusta en una opción distinta de "OFF".
- *3 Cuando la salida de audio se ajusta en "SUB-OUT".

Uso de equipo opcional

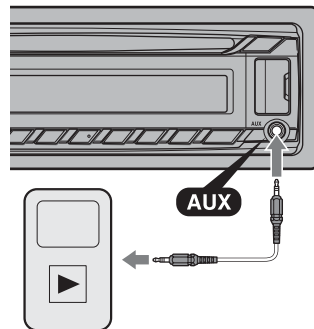
Equipo de audio auxiliar

Si conecta un dispositivo de audio portátil a la toma de entrada AUX (minitoma estéreo) de la unidad y simplemente selecciona la fuente, podrá escuchar por los altavoces del automóvil.

Conexión del dispositivo de audio portátil

- 1** Apague el dispositivo de audio portátil.
- 2** Baje el volumen de la unidad.
- 3** Conecte el dispositivo de audio portátil a la unidad mediante el cable de conexión (no suministrado)*.

* Asegúrese de utilizar una clavija recta.



Ajuste del nivel de volumen

Asegúrese de ajustar el volumen de cada equipo de audio conectado antes de la reproducción.

- 1** Baje el volumen de la unidad.
- 2** Presione **(SOURCE/OFF)** varias veces hasta que aparezca "AUX".
- 3** Inicie la reproducción en el dispositivo de audio portátil con un volumen moderado.
- 4** Seleccione el volumen habitual en la unidad.
- 5** Ajuste el nivel de entrada (página 19).

Información complementaria

Precauciones

- Deje que la unidad se enfríe antes de usarla si el automóvil ha estado estacionado bajo la luz directa del sol.
- No deje el panel frontal o dispositivos de audio dentro del automóvil, ya que las altas temperaturas resultado del contacto directo con la luz del sol podrían ocasionar fallas de funcionamiento.
- La antena motorizada se extiende automáticamente.

Condensación de humedad

Si se produce condensación de humedad en el interior de la unidad, extraiga el disco y espere una hora aproximadamente hasta que se haya secado por completo la unidad. De lo contrario, la unidad no funcionará correctamente.

Para mantener una alta calidad de sonido

No derrame ningún tipo de líquido sobre la unidad o los discos.

Notas sobre los discos

- No esponga los discos a la luz directa del sol ni a fuentes de calor como, por ejemplo, conductos de aire caliente, ni los deje en el automóvil estacionado bajo la luz directa del sol.
- Antes de reproducir los discos, límpielos con un paño de limpieza. Hágalo desde el centro hacia los bordes. No utilice disolventes como bencina, diluyentes ni productos de limpieza disponibles en el mercado.

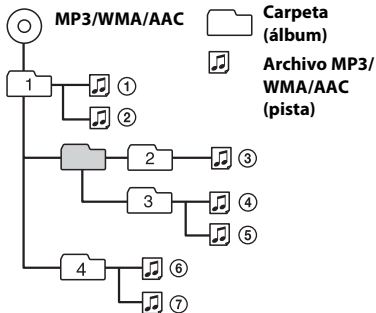


- Esta unidad se diseñó para reproducir discos que cumplen con el estándar Compact Disc (CD). Los DualDisc y otros discos de música codificados con tecnologías de protección de derechos de autor no cumplen el estándar Compact Disc (CD), por lo que no podrán reproducirse con esta unidad.
- **Discos que NO se pueden reproducir en esta unidad**
 - Discos con etiquetas, autoadhesivos o cinta adhesiva o papel enganchados. Si utiliza este tipo de discos, puede provocar una falla de funcionamiento o dañar el disco.
 - Discos con formas no estandarizadas (por ejemplo, formas de corazón, cuadrado o estrella). Si lo intenta, puede dañar la unidad.
 - Discos de 8 cm.

Notas sobre los discos CD-R/CD-RW

- Número máximo de: (sólo CD-R/CD-RW)
 - carpetas (álbumes): 150 (incluida la carpeta raíz)
 - archivos (pistas) y carpetas: 300 (si los nombres de carpeta o archivo contienen muchos caracteres, este número puede ser inferior a 300)
 - caracteres que se pueden visualizar en el nombre de una carpeta o archivo: 32 (Joliet)/64 (Romeo)
- Si un disco multisesión empieza con una sesión CD-DA, se reconoce como un disco CD-DA y las otras sesiones no se reproducen.
- **Discos que NO se pueden reproducir en esta unidad**
 - CD-R/CD-RW de calidad de grabación deficiente.
 - CD-R/CD-RW grabados con un dispositivo de grabación no compatible.
 - CD-R/CD-RW no finalizados correctamente.
 - CD-R/CD-RW que no se hayan grabado en formato CD de música o en formato MP3 que cumpla la norma ISO9660 Level 1/Level 2, Joliet/Romeo o multisesión.

Orden de reproducción de los archivos MP3/WMA/AAC



Acerca de iPod

- Puede conectarse a los siguientes modelos de iPod. Actualice sus dispositivos iPod a la última versión de software antes de utilizarlos.

Made for

- iPod touch (4ª generación)
- iPod touch (3ª generación)
- iPod touch (2ª generación)
- iPod touch (1ª generación)
- iPod classic
- iPod con video*
- iPod nano (6ª generación)
- iPod nano (5ª generación)
- iPod nano (4ª generación)
- iPod nano (3ª generación)
- iPod nano (2ª generación)
- iPod nano (1ª generación)*
- iPhone 4
- iPhone 3GS
- iPhone 3G
- iPhone

* El control del pasajero no está disponible para iPod nano (1ª generación) ni para iPod con video.

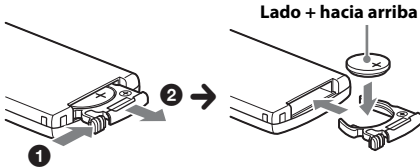
- “Made for iPod” y “Made for iPhone” indican que un accesorio electrónico se diseñó para conectarse específicamente a los dispositivos iPod o iPhone respectivamente, y que el fabricante obtuvo la certificación necesaria para que cumpla con los estándares de rendimiento de Apple. Apple no se hace responsable del funcionamiento de este dispositivo en cumplimiento de los estándares de seguridad y normativa. Tenga en cuenta que el uso de este accesorio con el iPod o el iPhone puede afectar al rendimiento inalámbrico.

Si desea realizar alguna consulta o solucionar algún problema relativo a la unidad que no se trate en este manual, póngase en contacto con el distribuidor Sony más cercano.

Mantenimiento

Sustitución de la pila de litio del control remoto

El alcance del control remoto disminuye a medida que se agota la pila. Sustitúyala por una pila de litio CR2025 nueva. El uso de cualquier otra pila podría provocar un incendio o una explosión.



Notas sobre la pila de litio

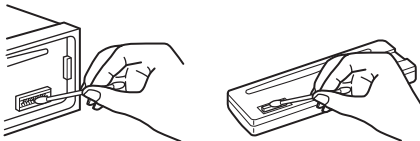
- Mantenga la pila de litio fuera del alcance de los niños. Si se ingiere, póngase en contacto inmediatamente con un médico.
- Limpie la pila con un paño seco para garantizar un contacto óptimo.
- Asegúrese de respetar la polaridad correcta al instalarla.
- No sujete la pila con pinzas metálicas, ya que podría producirse un cortocircuito.

ADVERTENCIA

La pila puede explotar si no se emplea adecuadamente. No recargue la pila; tampoco la desmonte ni la arroje al fuego.

Limpieza de los conectores

Es posible que la unidad no funcione correctamente si los conectores entre ésta y el panel frontal están sucios. Para evitar esta situación, extraiga el panel frontal (página 5) y limpie los conectores con un hisopo de algodón. Realice esta operación con suavidad. De lo contrario, los conectores podrían resultar dañados.



Notas

- Por razones de seguridad, apague el motor antes de limpiar los conectores y extraiga la llave del interruptor de encendido.
- No toque nunca los conectores directamente con los dedos ni con ningún dispositivo metálico.

Especificaciones

Sección del sintonizador

FM

Rango de sintonización:

87,5 a 108,0 MHz (a intervalos de 50 kHz)

87,5 a 108,0 MHz (a intervalos de 100 kHz)

87,5 a 107,9 MHz (a intervalos de 200 kHz)

Intervalo de sintonización de FM: 50 kHz/100 kHz/ 200 kHz conmutables

Terminal de antena:

conector de antena externa

Frecuencia intermedia: 25 kHz

Sensibilidad útil: 8 dBf

Selectividad: 75 dB a 400 kHz

Relación señal-ruido: 80 dB (estéreo)

Separación: 50 dB a 1 kHz

Respuesta de frecuencia: de 20 a 15 000 Hz

AM

Rango de sintonización:

de 531 a 1 602 kHz (a intervalos de 9 kHz)

de 530 a 1 710 kHz (a intervalos de 10 kHz)

Intervalo de sintonización de AM: 9 kHz/10 kHz conmutables

Terminal de antena:

conector de antena externa

Frecuencia intermedia:

9 124,5 kHz ó 9 115,5 kHz/4,5 kHz

(a intervalos de 9 kHz)

9 115 kHz ó 9 125 kHz/5 kHz

(a intervalos de 10 kHz)

Sensibilidad: 26 μ V

Sección del reproductor de CD

Relación señal-ruido: 120 dB

Respuesta de frecuencia: 10 – 20 000 Hz

Fluctuación y trémolo: inferior al límite medible

Sección del reproductor USB

Interfaz: USB (velocidad máxima)

Corriente máxima: 1 A

Sección del amplificador de potencia

Salida: salidas de altavoz

Impedancia de altavoz: de 4 a 8 ohmios

Salida de potencia máxima: 52 W \times 4 (a 4 ohmios)

Generales

Salidas:

Terminal de salidas de audio (frontal,

intercambiable entre altavoz potenciador de graves y posterior)

Antena motorizada/Terminal de control del amplificador de potencia (REM OUT)

Entradas:

Terminal de entrada del control remoto

Terminal de entrada de la antena

Toma de entrada AUX (minitoma estéreo)

Conector de entrada de señal USB

Requisitos de alimentación:

batería de automóvil de cc 12 V (masa negativa)

Dimensiones:

aprox. 178 \times 50 \times 179 mm

(an/al/prf)

Dimensiones de montaje:

aprox. 182 \times 53 \times 162 mm

(an/al/prf)

Peso:

aprox. 1,2 kg

Accesorios suministrados:

Control remoto RM-X211

Componentes de instalación y conexiones

(1 juego)

Equipo y accesorios opcionales:

Cable de conexión USB para iPod: RC-100IP

Es posible que su distribuidor no comercialice algunos de los accesorios que figuran en la lista anterior. Pídale información detallada.

El diseño y las especificaciones están sujetos a cambios sin previo aviso.

Solución de problemas

La siguiente lista de comprobación le ayudará a solucionar los problemas que puedan producirse con la unidad.

Antes de consultarla, revise los procedimientos de conexión y de funcionamiento.

Para obtener más información sobre cómo utilizar el fusible y cómo retirar la unidad del tablero, consulte el manual de instalación y conexiones suministrados con esta unidad.

Si el problema persiste, visite el sitio web del soporte técnico mencionado en la cubierta posterior.

Generales

La unidad no recibe alimentación.

- Revise la conexión o el fusible.
- Si la unidad está apagada y la pantalla desaparece, no se puede operar con el control remoto.
 - Encienda la unidad.

La antena motorizada no se extiende.

- La antena motorizada no dispone de una caja de relé.

No se emite el sonido.

- La función ATT está activada.
- La posición del control de equilibrio “FADER” no está ajustada para un sistema de 2 altavoces.

No se escuchan pitidos.

- El sonido de los pitidos está cancelado (página 22).
- Se encuentra conectado un amplificador de potencia opcional y no está usando el amplificador integrado.

El contenido de la memoria se borró.

- Se desconectó el cable de fuente de alimentación o la batería, o no están conectados correctamente.

Las emisoras almacenadas y la hora correcta se borraron.

El fusible se fundió.

Se escucha ruido cuando se cambia la posición de la llave de encendido.

- Los cables no se conectaron de forma correcta al conector de alimentación auxiliar del automóvil.

Durante la reproducción o la recepción, el modo de demostración se inicia.

- Si no se realiza ninguna operación durante 5 minutos y la opción “DEMO-ON” está ajustada, se iniciará el modo de demostración.
 - Ajuste “DEMO-OFF” (página 23).

Las indicaciones desaparecen de la pantalla o no aparecen en ella.

- El atenuador está ajustado en “DIM-ON” (página 23).
- La pantalla se apaga si mantiene presionado **(SOURCE/OFF)**.
 - Presione **(SOURCE/OFF)** en la unidad hasta que se ilumine la pantalla.
- Los conectores están sucios (página 27).

La función de desactivación automática no funciona.

- La unidad está encendida. La función de desactivación automática se activa después de apagar la unidad.
 - Apague la unidad.

La pantalla se apaga mientras la unidad se encuentra en funcionamiento.

- La función de Desactivación de la pantalla está activada (página 23).

No es posible utilizar la unidad mediante el control remoto.

- Si se activa la función de Desactivación de la pantalla (sin iluminación), no será posible utilizar el control remoto (página 23).

Recepción de radio

No es posible recibir las emisoras.

Hay ruidos que obstaculizan el sonido.

- La conexión no es correcta.
 - Conecte un cable de control de antena motorizada (azul) o un cable de fuente de alimentación auxiliar (rojo) al cable de fuente de alimentación del amplificador de señal de la antena del automóvil (solamente cuando el automóvil tenga una antena de radio integrada en el cristal posterior o lateral).
 - Compruebe la conexión de la antena del automóvil.
 - Si la antena motorizada no se extiende, compruebe la conexión del cable de control de la antena motorizada.
- Se ha borrado el ajuste del intervalo de sintonización.
 - Vuelva a ajustar el intervalo de sintonización (página 4).

No es posible utilizar la sintonización programada.

- Almacene la frecuencia correcta en la memoria.
- La señal de emisión es demasiado débil.

No es posible utilizar la sintonización automática.

- La señal de emisión es demasiado débil.
 - Use la sintonización manual.

RDS

PTY muestra “-----”.

- La emisora actual no es una emisora RDS.
- No se recibieron datos RDS.
- La emisora no especifica el tipo de programa.

Reproducción de CD

No es posible insertar el disco.

- Ya hay un disco insertado.
- El disco se insertó a la fuerza al revés o de forma incorrecta.

No se reproduce el disco.

- Disco defectuoso o sucio.
- Los discos CD-R/CD-RW no son para audio (página 25).

No es posible reproducir archivos MP3/WMA/AAC.

- El disco no es compatible con el formato y la versión de MP3/WMA/AAC. Para obtener más información acerca de los discos y formatos que se pueden reproducir, visite el sitio web del soporte técnico.

Los archivos MP3/WMA/AAC tardan más tiempo en reproducirse que los demás.

- El inicio de la reproducción de los siguientes discos tarda algo más de tiempo.
 - disco grabado con una estructura de árbol complicada.
 - disco grabado en Multi Session.
 - disco al que es posible añadir datos.

Los elementos de pantalla no se desplazan.

- En el caso de discos con muchos caracteres, es posible que estos no se desplacen.
- La opción “AUTO SCR” está ajustada en “OFF”.
 - Ajuste “A.SCRL-ON” (página 23).
 - Mantenga presionado **(DSPL)** (SCRL).

Se producen saltos de sonido.

- La instalación no es correcta.
 - Instale la unidad en un ángulo inferior a 45° en una parte firme del automóvil.
- Disco defectuoso o sucio.

Reproducción de dispositivo USB

No es posible reproducir elementos a través de un concentrador USB.

- Esta unidad no puede reconocer dispositivos USB a través de un concentrador USB.

No se pueden reproducir elementos.

- Un dispositivo USB no funciona.
 - Vuelva a conectarlo.

El dispositivo USB tarda en reproducirse.

- El dispositivo USB contiene archivos con una estructura de árbol compleja.

El sonido es discontinuo.

- Es posible que la discontinuidad del sonido se deba a una tasa alta de bits de más de 320 kbps.

Mensajes/indicaciones de error

CHECKING

- La unidad está confirmando la conexión de un dispositivo USB.
 - Espere mientras finaliza el proceso de confirmación de la conexión.

ERROR

- El disco está sucio o se insertó al revés.
 - Límpielo o insértelo de forma correcta.
- Se insertó un disco vacío.
- No es posible reproducir el disco debido a un problema.
 - Inserte otro disco.
- El dispositivo USB no ha sido reconocido automáticamente.
 - Conéctelo nuevamente.
- Presione ▲ para extraer el disco.

FAILURE

- La conexión de los altavoces y amplificadores es incorrecta.
 - Consulte el manual de instalación y conexiones de este modelo para revisar la conexión.

HUB NO SUPRT (No admite concentradores)

- El concentrador USB no es compatible con esta unidad.

NO DEV (No hay dispositivo)

- USB se selecciona como fuente sin que esté conectado un dispositivo USB. Se ha desconectado un dispositivo USB o un cable USB durante la reproducción.
 - Asegúrese de conectar un dispositivo USB y un cable USB.

NO MUSIC

- El disco o dispositivo USB no contiene ningún archivo de música.
 - Inserte un CD de música en esta unidad.
 - Conecte un dispositivo USB que contenga algún archivo de música.

NO NAME

- No se grabó un nombre de disco/álbum/ artista/pista en la pista.

NOT FOUND

- No hay ningún elemento que comience por la letra seleccionada en la Búsqueda alfabética.

OFFSET

- Es posible que se haya producido una falla interna.
 - Revise la conexión. Si el indicador de error permanece en pantalla, póngase en contacto con el distribuidor Sony más cercano.

OVERLOAD

- El dispositivo USB está sobrecargado.
 - Desconecte el dispositivo USB y, a continuación, presione (SOURCE/OFF) para cambiar la fuente.
 - Indica que el dispositivo USB está fuera de servicio, o que hay un dispositivo incompatible conectado.

READ

- La unidad está leyendo toda la información de pistas y de álbumes del disco.
 - Espere hasta que finalice la lectura y se inicie la reproducción automáticamente. Es posible que demore más de un minuto en función de la estructura del disco.

USB NO SUPRT (USB no compatible)

- El dispositivo USB conectado no es compatible.
 - Para obtener más información acerca de la compatibilidad del dispositivo USB, visite el sitio web del soporte técnico.

"LLLLL"o"rrrrr"

- Durante la operación de avance o retroceso rápido, llegó al principio o al final del disco, por lo que no es posible continuar.

"_"

- No se puede mostrar el carácter con la unidad.

Si estas soluciones no ayudan a mejorar la situación, póngase en contacto con el distribuidor Sony más cercano.

Si entrega la unidad para su reparación a causa de problemas en la reproducción de CD, lleve el disco que se utilizó cuando se produjo el problema.

Support site

If you have any questions or for the latest support information on this product, please visit the web site below:

Sitio Web de soporte técnico en línea

Para resolver cualquier duda u obtener la información más reciente sobre el soporte técnico de este producto, visite el siguiente sitio Web:

Customers in Latin America/Clientes de Latinoamérica:

<http://esupport.sony.com/ES/LA/>

Customers in Pan Asia/Para clientes de Asia y del Pacífico:

<http://www.sony-asia.com/section/support>

<http://www.sony-asia.com/caraudio/>

<http://www.sony.net/>

©2011 Sony Corporation Printed in Thailand



* 4 2 8 4 2 6 1 4 1 * (1)

Download from Www.Somanuals.com. All Manuals Search And Download.

Free Manuals Download Website

<http://myh66.com>

<http://usermanuals.us>

<http://www.somanuals.com>

<http://www.4manuals.cc>

<http://www.manual-lib.com>

<http://www.404manual.com>

<http://www.luxmanual.com>

<http://aubethermostatmanual.com>

Golf course search by state

<http://golfingnear.com>

Email search by domain

<http://emailbydomain.com>

Auto manuals search

<http://auto.somanuals.com>

TV manuals search

<http://tv.somanuals.com>