

Sports Pack

Operating Instructions Mode d'emploi Bedienungsanleitung Istruzioni per l'uso

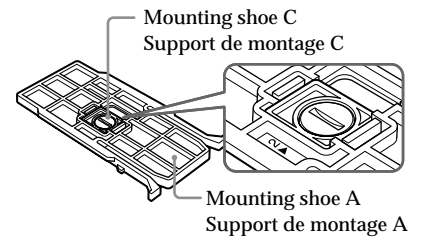
SPK-TRC

http://www.sony.net/
Printed on recycled paper

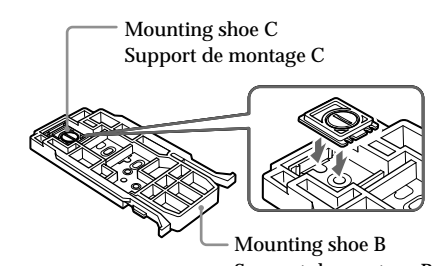
Sony Corporation © 2002 Printed in Japan

B

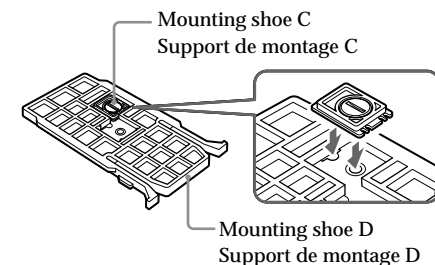
Models to be used with the mounting shoe A
Modèles à utiliser avec le support de montage A



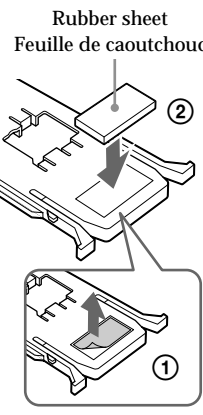
Models to be used with the mounting shoe B
Modèles à utiliser avec le support de montage B



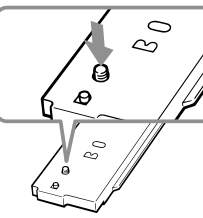
Models to be used with the mounting shoe D
Modèles à utiliser avec le support de montage D



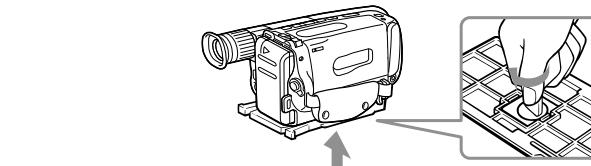
To replace the rubber sheet (Models to be used with the mounting shoe A-3 only)
Pour remplacer la feuille de caoutchouc (Modèles devant être utilisés avec le support de montage A-3 seulement.)



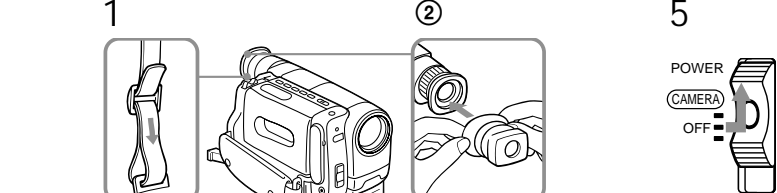
To disassemble after using
Démontage après utilisation



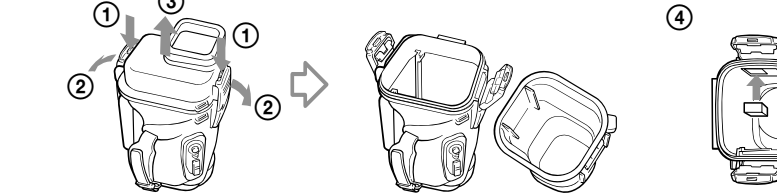
C



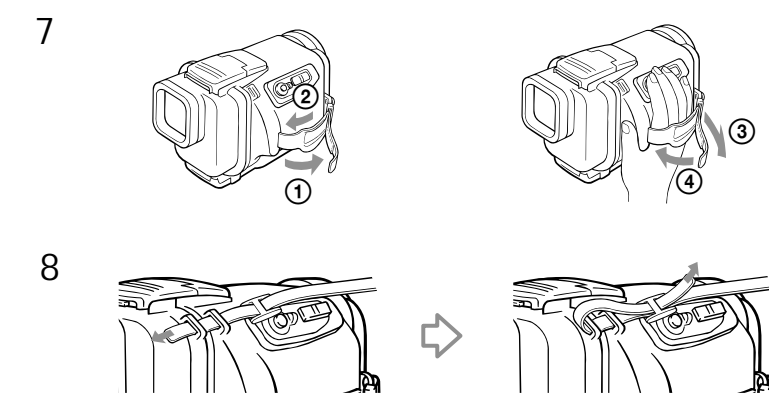
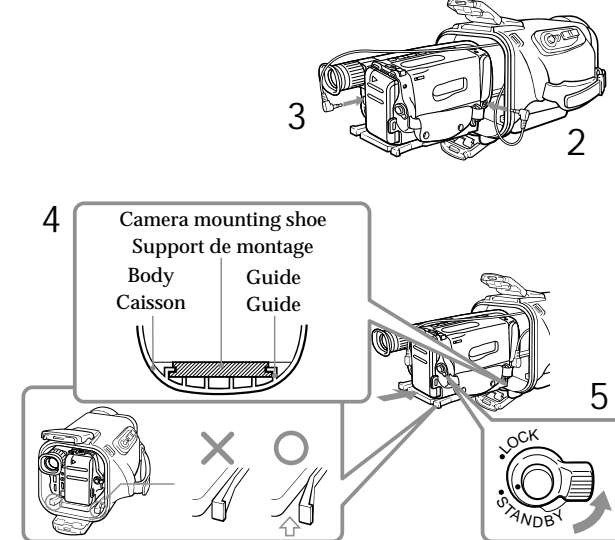
D



E



F



English

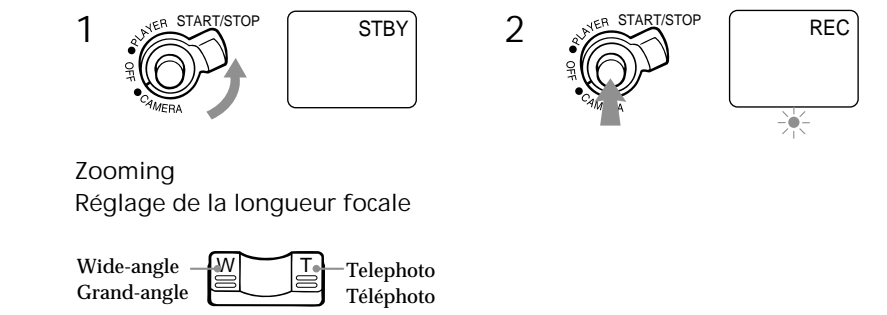
Usable to a depth as low as 2 meters (6.5feet) under water.

When recording under water use the Sony camera pack. For using your video camera recorder with this pack, refer to the operating instructions for the recorder. The water-proof sports pack SPK-TRC has some resistance to water and moisture, making it possible to use the Sony 8mm video camera recorders in the rain or on the beach.
Notes on the Water-proof Gasket
• Check that there are no scratches or cracks on the water-proof gasket.
• Do not remove the water-proof gasket from the groove with a metal tool or a tool with a sharp point.
• Put the water-proof gasket in the grooves evenly, with the tapering side up.
• After checking that there are no cracks or dust on the water-proof gasket, grease it out slightly with the supplied grease using a finger.
• The useful life of the water-proof gasket depends on the maintenance and the frequency of use.
• Avoid opening the sports pack in the sea or at the beach.
• Do not expose the microphone to strong waves.
• Do not throw the sports pack into the water.
• Use the pack for no longer than one hour at a time in temperatures over 40°C (104°F).
• When using the sports pack in cold places, keep the unit in a bag, etc.
• Using the sports pack when the air temperature is freezing point or below is not recommended.
• On some models of the camcorders, you may feel uncomfortable watching the complete wide picture in the viewfinder when you set up your camcorder in the sports pack.
Preventing the surface of the glass from fogging up
Grease the surface of the glass with the supplied anti-fogging lens solution.

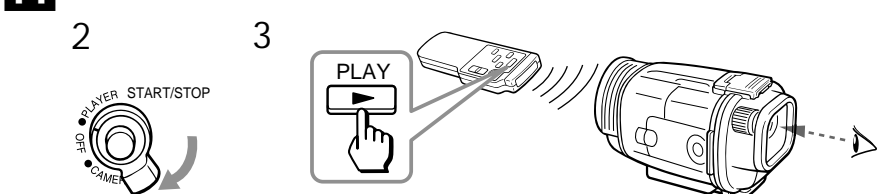
Precautions

- Do not use the sports pack where the wave is high as it may crack.
Do not subject the front glass to strong shock, as it may crack.
Do not leave the sports pack under direct sunlight for a long period of time.
If you cannot avoid leaving the sports pack under direct sunlight, be sure to cover the pack with a towel or other protection.
Avoid opening the sports pack in the sea or at the beach.
The water-proof integrity of the sports pack is maintained by the water-proof gasket and the grooved surface it touches.
Check for the water leakage before installing the camcorder.
Do not expose the microphone to strong waves.
Do not throw the sports pack into the water.
Use the pack for no longer than one hour at a time in temperatures over 40°C (104°F).
When using the sports pack in cold places, keep the unit in a bag, etc.
Using the sports pack when the air temperature is freezing point or below is not recommended.
On some models of the camcorders, you may feel uncomfortable watching the complete wide picture in the viewfinder when you set up your camcorder in the sports pack.
Preventing the surface of the glass from fogging up
Grease the surface of the glass with the supplied anti-fogging lens solution.

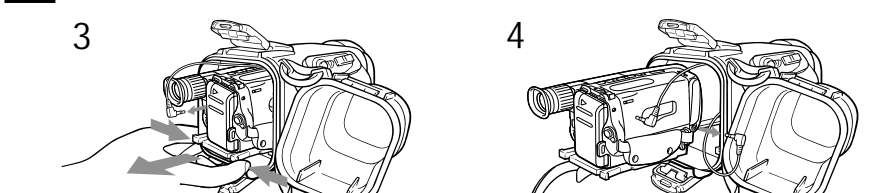
G



H



I



J



Maintenance and Precautions

Water Leakage
If water happens to leak in, remove the sports pack from the place exposed to water as soon as possible.
The water-proof sports pack SPK-TRC has some resistance to water and moisture, making it possible to use the Sony 8mm video camera recorders in the rain or on the beach.

Precautions

- Do not use the sports pack where the wave is high as it may crack.
Do not subject the front glass to strong shock, as it may crack.
Do not leave the sports pack under direct sunlight for a long period of time.
If you cannot avoid leaving the sports pack under direct sunlight, be sure to cover the pack with a towel or other protection.
Avoid opening the sports pack in the sea or at the beach.
The water-proof integrity of the sports pack is maintained by the water-proof gasket and the grooved surface it touches.
Check for the water leakage before installing the camcorder.
Do not expose the microphone to strong waves.
Do not throw the sports pack into the water.
Use the pack for no longer than one hour at a time in temperatures over 40°C (104°F).
When using the sports pack in cold places, keep the unit in a bag, etc.
Using the sports pack when the air temperature is freezing point or below is not recommended.
On some models of the camcorders, you may feel uncomfortable watching the complete wide picture in the viewfinder when you set up your camcorder in the sports pack.
Preventing the surface of the glass from fogging up
Grease the surface of the glass with the supplied anti-fogging lens solution.

Before You Begin

- Battery pack
Cassette tape
Fully charged.
The tape length will cover the planned recording time.
The tape is wound to the point where you want to start recording.
The safety tab on the cassette is in the correct position.
No scratches or cracks.
Correctly set in the groove.
Water-proof gasket
Material: Plastic (PC, ABS), glass.
Water-proof.
Built-in microphone.
Stereo.
Dimensions: Approx. 177 x 173 x 274 mm (w/h/d) (7 x 6 7/8 x 10 7/8 inches).

Specifications

Material: Plastic (PC, ABS), glass.
Water-proof.
Water-proof gasket, buckles.
Built-in microphone.
Stereo.
Dimensions: Approx. 177 x 173 x 274 mm (w/h/d) (7 x 6 7/8 x 10 7/8 inches).
Mass: Approx. 800 g (1 lb 12 oz) (only sports pack).
Supplied accessories: Shoulder strap (1), Camera mounting shoe A (1)/B (1)/C (1)/D (1), Grease (1), Viewfinder adaptor (1), Anti-fogging lens solution (1), Rubber sheet (1), Cushions (2) and Operating Instructions (1).

Specifications

Material: Plastic (PC, ABS), glass.
Water-proof.
Water-proof gasket, buckles.
Built-in microphone.
Stereo.
Dimensions: Approx. 177 x 173 x 274 mm (w/h/d) (7 x 6 7/8 x 10 7/8 inches).
Mass: Approx. 800 g (1 lb 12 oz) (only sports pack).
Supplied accessories: Shoulder strap (1), Camera mounting shoe A (1)/B (1)/C (1)/D (1), Grease (1), Viewfinder adaptor (1), Anti-fogging lens solution (1), Rubber sheet (1), Cushions (2) and Operating Instructions (1).

Design and specifications subject to change without notice.

Installing the Camcorder

1. Selecting the camera mounting shoe.
Depending on the location of the screw hole for attaching the camera mounting shoe of your camcorder, you have a choice of three types of camera mounting shoe.
Check list (A) to identify the appropriate mounting shoe and arrow number.

Preparing the camera mounting shoe

- Align the mounting shoe C to the notch of mounting shoe A, B or C.
Replacing the rubber sheet.
Set the STANDBY switch of the camcorder to STANDBY.
Close the rear body.
Remove the rubber sheet stuck on the knob side.
Stick the supplied rubber sheet.
Attaching the camera mounting shoe.
Use metal parts of shoulder belt as shown in the illustration.
Preparing the Camcorder.
Remove the shoulder strap, lens cap, filter or conversion lens from the camcorder.
Install the viewfinder adaptor.
Widen a rubber.
Install the viewfinder adaptor on the viewfinder.
If the viewfinder adaptor is loose when it is attached, bend the eycup of the camcorder and attach it again.
Install the battery pack.
Insert the cassette tape.
Set the POWER switch to CAMERA.

Recording

- Turn the POWER switch to CAMERA.
Set the POWER switch to start recording.
The recording lamp lights in the viewfinder.
Set to AUTO LOCK mode for automatic adjustment.
When using the START/STOP MODE switch to 1/2 or 5 SEC, if available.
When you use a camcorder with finder power save function, set the switch to OFF.
Set the STANDBY switch of the camcorder to LOCK.
Note: When the viewfinder adaptor is attached to the viewfinder of your camcorder, you get a wide view of what appears in the viewfinder screen. However, when viewed from an angle, the screen may appear distorted.

Preparing the Sports Pack

- Release the buckles.
While pressing up the unlock button.
Release the buckles.
Open the rear body.
When using the camcorder CCD-TRV30/TRV30E/TRV40/TRV40E/TRV60E, stick the black cushion on the inner wall of the sports pack and when using the camcorder CCD-TR60E/TR710E/TR760E/TR810E/TR910E/TR920E/TR2300E/TR3300/TR3300E/TR3400E/TR3100E, use the gray cushion.
Note: When the camcorder for 5 minutes or more with cassette inserted in Standby mode, the camcorder goes off automatically. This prevents battery and tape wear. To resume Standby mode, turn the POWER switch to OFF and then turn it to CAMERA again. To start recording, press the START/STOP button.

Trouble Check

Symptom	Cause	Corrective Actions
The sound is not recorded.	The microphone plug is not connected.	Connect it to the MIC jack on the camcorder.
There are drops of water inside of the sports pack.	The buckle is not fastened. The water-proof gasket is not in correct. There are scratches or cracks on the water-proof gasket.	Fasten the buckle until it clicks. Put it in the groove evenly. Replace it with a new one.
The recording and playing back function does not work.	The battery pack is run out. The tape has run out. The safety tab on the cassette is out.	Charge the battery pack fully. Rewind the tape or use a new one. The safety tab on the cassette tape.

Checking the Recorded Picture

You can check the recorded picture in the viewfinder using the Remote Commander supplied with your camcorder. You cannot hear the sound.
1. Set the POWER switch to PLAYER.
2. Press PLAY on the remote.
Use the Remote Commander for all other functions including STOP, REV and FF.

Removing the Camcorder

- Release the buckles, and open the rear body.
Before opening the sports pack, wipe moisture off the sports pack and yourself. Do not allow water on the camcorder.
Set the STANDBY switch of the camcorder to LOCK.
Holding the camera mounting shoe by the knobs on both sides of it, press the knobs and extract the camcorder.
While extracting the camcorder, stop extracting at the point that the remote control plug is come out from the sports pack to disconnect the REMOTE.
Disconnect the MIC plug from the MIC jack.
Detach the viewfinder adaptor.
Detach the camera mounting shoe.

Utilizing the Sports Pack

- Turn the POWER switch to CAMERA.
Set the POWER switch to start recording.
The recording lamp lights in the viewfinder.
Set to AUTO LOCK mode for automatic adjustment.
When using the START/STOP MODE switch to 1/2 or 5 SEC, if available.
When you use a camcorder with finder power save function, set the switch to OFF.
Set the STANDBY switch of the camcorder to LOCK.

Before You Begin

- Battery pack
Cassette tape
Fully charged.
The tape length will cover the planned recording time.
The tape is wound to the point where you want to start recording.
The safety tab on the cassette is in the correct position.
No scratches or cracks.
Correctly set in the groove.
Water-proof gasket
Material: Plastic (PC, ABS), glass.
Water-proof.
Water-proof gasket, buckles.
Built-in microphone.
Stereo.
Dimensions: Approx. 177 x 173 x 274 mm (w/h/d) (7 x 6 7/8 x 10 7/8 inches).

Specifications

Material: Plastic (PC, ABS), glass.
Water-proof.
Water-proof gasket, buckles.
Built-in microphone.
Stereo.
Dimensions: Approx. 177 x 173 x 274 mm (w/h/d) (7 x 6 7/8 x 10 7/8 inches).
Mass: Approx. 800 g (1 lb 12 oz) (only sports pack).
Supplied accessories: Shoulder strap (1), Camera mounting shoe A (1)/B (1)/C (1)/D (1), Grease (1), Viewfinder adaptor (1), Anti-fogging lens solution (1), Rubber sheet (1), Cushions (2) and Operating Instructions (1).

Installing the Camcorder

1. Selecting the camera mounting shoe.
Depending on the location of the screw hole for attaching the camera mounting shoe of your camcorder, you have a choice of three types of camera mounting shoe.
Check list (A) to identify the appropriate mounting shoe and arrow number.

Preparing the camera mounting shoe

- Align the mounting shoe C to the notch of mounting shoe A, B or C.
Replacing the rubber sheet.
Set the STANDBY switch of the camcorder to STANDBY.
Close the rear body.
Remove the rubber sheet stuck on the knob side.
Stick the supplied rubber sheet.
Attaching the camera mounting shoe.
Use metal parts of shoulder belt as shown in the illustration.
Preparing the Camcorder.
Remove the shoulder strap, lens cap, filter or conversion lens from the camcorder.
Install the viewfinder adaptor.
Widen a rubber.
Install the viewfinder adaptor on the viewfinder.
If the viewfinder adaptor is loose when it is attached, bend the eycup of the camcorder and attach it again.
Install the battery pack.
Insert the cassette tape.
Set the POWER switch to CAMERA.

Recording

- Turn the POWER switch to CAMERA.
Set the POWER switch to start recording.
The recording lamp lights in the viewfinder.
Set to AUTO LOCK mode for automatic adjustment.
When using the START/STOP MODE switch to 1/2 or 5 SEC, if available.
When you use a camcorder with finder power save function, set the switch to OFF.
Set the STANDBY switch of the camcorder to LOCK.
Note: When the viewfinder adaptor is attached to the viewfinder of your camcorder, you get a wide view of what appears in the viewfinder screen. However, when viewed from an angle, the screen may appear distorted.

Preparing the Sports Pack

- Release the buckles.
While pressing up the unlock button.
Release the buckles.
Open the rear body.
When using the camcorder CCD-TRV30/TRV30E/TRV40/TRV40E/TRV60E, stick the black cushion on the inner wall of the sports pack and when using the camcorder CCD-TR60E/TR710E/TR760E/TR810E/TR910E/TR920E/TR2300E/TR3300/TR3300E/TR3400E/TR3100E, use the gray cushion.
Note: When the camcorder for 5 minutes or more with cassette inserted in Standby mode, the camcorder goes off automatically. This prevents battery and tape wear. To resume Standby mode, turn the POWER switch to OFF and then turn it to CAMERA again. To start recording, press the START/STOP button.

Trouble Check

Symptom	Cause	Corrective Actions
The sound is not recorded.	The microphone plug is not connected.	Connect it to the MIC jack on the camcorder.
There are drops of water inside of the sports pack.	The buckle is not fastened. The water-proof gasket is not in correct. There are scratches or cracks on the water-proof gasket.	Fasten the buckle until it clicks. Put it in the groove evenly. Replace it with a new one.
The recording and playing back function does not work.	The battery pack is run out. The tape has run out. The safety tab on the cassette is out.	Charge the battery pack fully. Rewind the tape or use a new one. The safety tab on the cassette tape.

Checking the Recorded Picture

You can check the recorded picture in the viewfinder using the Remote Commander supplied with your camcorder. You cannot hear the sound.
1. Set the POWER switch to PLAYER.
2. Press PLAY on the remote.
Use the Remote Commander for all other functions including STOP, REV and FF.

Removing the Camcorder

- Release the buckles, and open the rear body.
Before opening the sports pack, wipe moisture off the sports pack and yourself. Do not allow water on the camcorder.
Set the STANDBY switch of the camcorder to LOCK.
Holding the camera mounting shoe by the knobs on both sides of it, press the knobs and extract the camcorder.
While extracting the camcorder, stop extracting at the point that the remote control plug is come out from the sports pack to disconnect the REMOTE.
Disconnect the MIC plug from the MIC jack.
Detach the viewfinder adaptor.
Detach the camera mounting shoe.

Utilizing the Sports Pack

- Turn the POWER switch to CAMERA.
Set the POWER switch to start recording.
The recording lamp lights in the viewfinder.
Set to AUTO LOCK mode for automatic adjustment.
When using the START/STOP MODE switch to 1/2 or 5 SEC, if available.
When you use a camcorder with finder power save function, set the switch to OFF.
Set the STANDBY switch of the camcorder to LOCK.

Before You Begin

- Battery pack
Cassette tape
Fully charged.
The tape length will cover the planned recording time.
The tape is wound to the point where you want to start recording.
The safety tab on the cassette is in the correct position.
No scratches or cracks.
Correctly set in the groove.
Water-proof gasket
Material: Plastic (PC, ABS), glass.
Water-proof.
Water-proof gasket, buckles.
Built-in microphone.
Stereo.
Dimensions: Approx. 177 x 173 x 274 mm (w/h/d) (7 x 6 7/8 x 10 7/8 inches).

Specifications

Material: Plastic (PC, ABS), verre. Etanchéité. Joint d'étanchéité, boucles. Microphone intégré. Stéréo. Dimensions: Env. 177 x 173 x 274 mm (l/h/p). Poids: Env. 800g (caïsson uniquement). Accessoires fournis.

Installation du caméscope

Sélection du support de montage.
Il existe trois types de support de montage.
Consultez la liste (A) pour connaître le support de montage et le numéro de la page appropriée.

Préparation du support de montage

- Alignez le support de montage C sur l'encoche du support de montage A, B ou D.
Remplacement de la feuille de caoutchouc.
Insérez le caméscope en poussant l'arrière du caméscope jusqu'au dé clic.
Vérifiez l'arrière du caméscope.
Régler le commutateur STANDBY du caméscope sur STANDBY.
Enlever la feuille de caoutchouc collée du côté du bouton.
Coller la feuille de caoutchouc fournie.

Installation du support de montage

- Enlever la bandoulière, le capuchon, le filtre ou la lentille de conversion du caméscope.
Installer l'adaptateur de viseur sur le viseur.
Ouvrez le caoutchouc.
Montez l'adaptateur de viseur sur le viseur.
Si l'adaptateur de viseur bouge quand il est fixé, rabattez l'œillet du caméscope et insérez le nouveau l'adaptateur.
Insérer une cassette.
Régler l'Interrupteur POWER sur CAMERA.
Quand vous utilisez un caméscope avec écran LCD, fermez l'écran LCD.
Régler le mode AUTO LOCK pour passer en mode de réglage automatique.
Régler le sélecteur START/STOP MODE sur 1/2 ou 5 SEC, si présent.
Quand vous utilisez un caméscope avec fonction d'économie d'énergie, réglez le commutateur sur OFF.
Régler le commutateur STANDBY du caméscope sur LOCK.

Préparation du caméscope

- Release the buckles, and open the rear body.
Before opening the sports pack, wipe moisture off the sports pack and yourself. Do not allow water on the camcorder.
Set the STANDBY switch of the camcorder to LOCK.
Holding the camera mounting shoe by the knobs on both sides of it, press the knobs and extract the camcorder.
While extracting the camcorder, stop extracting at the point that the remote control plug is come out from the sports pack to disconnect the REMOTE.
Disconnect the MIC plug from the MIC jack.
Detach the viewfinder adaptor.
Detach the camera mounting shoe.

Utilizing the Sports Pack

- Turn the POWER switch to CAMERA.
Set the POWER switch to start recording.
The recording lamp lights in the viewfinder.
Set to AUTO LOCK mode for automatic adjustment.
When using the START/STOP MODE switch to 1/2 or 5 SEC, if available.
When you use a camcorder with finder power save function, set the switch to OFF.
Set the STANDBY switch of the camcorder to LOCK.

Before You Begin

- Battery pack
Cassette tape
Fully charged.
The tape length will cover the planned recording time.
The tape is wound to the point where you want to start recording.
The safety tab on the cassette is in the correct position.
No scratches or cracks.
Correctly set in the groove.
Water-proof gasket
Material: Plastic (PC, ABS), verre. Etanchéité. Joint d'étanchéité, boucles. Microphone intégré. Stéréo. Dimensions: Env. 177 x 173 x 274 mm (l/h/p). Poids: Env. 800g (caïsson uniquement). Accessoires fournis.

Installation du caméscope

Sélection du support de montage.
Il existe trois types de support de montage.
Consultez la liste (A) pour connaître le support de montage et le numéro de la page appropriée.

Préparation du support de montage

- Alignez le support de montage C sur l'encoche du support de montage A, B ou D.
Remplacement de la feuille de caoutchouc.
Insérez le caméscope en poussant l'arrière du caméscope jusqu'au dé clic.
Vérifiez l'arrière du caméscope.
Régler le commutateur STANDBY du caméscope sur STANDBY.
Enlever la feuille de caoutchouc collée du côté du bouton.
Coller la feuille de caoutchouc fournie.

Installation du support de montage

- Enlever la bandoulière, le capuchon, le filtre ou la lentille de conversion du caméscope.
Installer l'adaptateur de viseur sur le viseur.
Ouvrez le caoutchouc.
Montez l'adaptateur de viseur sur le viseur.
Si l'adaptateur de viseur bouge quand il est fixé, rabattez l'œillet du caméscope et insérez le nouveau l'adaptateur.
Insérer une cassette.
Régler l'Interrupteur POWER sur CAMERA.
Quand vous utilisez un caméscope avec écran LCD, fermez l'écran LCD.
Régler le mode AUTO LOCK pour passer en mode de réglage automatique.
Régler le sélecteur START/STOP MODE sur 1/2 ou 5 SEC, si présent.
Quand vous utilisez un caméscope avec fonction d'économie d'énergie, réglez le commutateur sur OFF.
Régler le commutateur STANDBY du caméscope sur LOCK.

Préparation du caméscope

- Release the buckles, and open the rear body.
Before opening the sports pack, wipe moisture off the sports pack and yourself. Do not allow water on the camcorder.
Set the STANDBY switch of the camcorder to LOCK.
Holding the camera mounting shoe by the knobs on both sides of it, press the knobs and extract the camcorder.
While extracting the camcorder, stop extracting at the point that the remote control plug is come out from the sports pack to disconnect the REMOTE.
Disconnect the MIC plug from the MIC jack.
Detach the viewfinder adaptor.
Detach the camera mounting shoe.

Utilizing the Sports Pack

- Turn the POWER switch to CAMERA.
Set the POWER switch to start recording.
The recording lamp lights in the viewfinder.
Set to AUTO LOCK mode for automatic adjustment.
When using the START/STOP MODE switch to 1/2 or 5 SEC, if available.
When you use a camcorder with finder power save function, set the switch to OFF.
Set the STANDBY switch of the camcorder to LOCK.

Before You Begin

- Battery pack
Cassette tape
Fully charged.
The tape length will cover the planned recording time.
The tape is wound to the point where you want to start recording.
The safety tab on the cassette is in the correct position.
No scratches or cracks.
Correctly set in the groove.
Water-proof gasket
Material: Plastic (PC, ABS), verre. Etanchéité. Joint d'étanchéité, boucles. Microphone intégré. Stéréo. Dimensions: Env. 177 x 173 x 274 mm (l/h/p). Poids: Env. 800g (caïsson uniquement). Accessoires fournis.

Installation du caméscope

Sélection du support de montage.
Il existe trois types de support de montage.
Consultez la liste (A) pour connaître le support de montage et le numéro de la page appropriée.

Préparation du support de montage

- Alignez le support de montage C sur l'encoche du support de montage A, B ou D.
Remplacement de la feuille de caoutchouc.
Insérez le caméscope en poussant l'arrière du caméscope jusqu'au dé clic.
Vérifiez l'arrière du caméscope.
Régler le commutateur STANDBY du caméscope sur STANDBY.
Enlever la feuille de caoutchouc collée du côté du bouton.
Coller la feuille de caoutchouc fournie.

Installation du support de montage

- Enlever la bandoulière, le capuchon, le filtre ou la lentille de conversion du caméscope.
Installer l'adaptateur de viseur sur le viseur.
Ouvrez le caoutchouc.
Montez l'adaptateur de viseur sur le viseur.
Si l'adaptateur de viseur bouge quand il est fixé, rabattez l'œillet du caméscope et insérez le nouveau l'adaptateur.
Insérer une cassette.
Régler l'Interrupteur POWER sur CAMERA.
Quand vous utilisez un caméscope avec écran LCD, fermez l'écran LCD.
Régler le mode AUTO LOCK pour passer en mode de réglage automatique.
Régler le sélecteur START/STOP MODE sur 1/2 ou 5 SEC, si présent.
Quand vous utilisez un caméscope avec fonction d'économie d'énergie, réglez le commutateur sur OFF.
Régler le commutateur STANDBY du caméscope sur LOCK.

Préparation du caméscope

- Release the buckles, and open the rear body.
Before opening the sports pack, wipe moisture off the sports pack and yourself. Do not allow water on the camcorder.
Set the STANDBY switch of the camcorder to LOCK.
Holding the camera mounting shoe by the knobs on both sides of it, press the knobs and extract the camcorder.
While extracting the camcorder, stop extracting at the point that the remote control plug is come out from the sports pack to disconnect the REMOTE.
Disconnect the MIC plug from the MIC jack.
Detach the viewfinder adaptor.
Detach the camera mounting shoe.

Utilizing the Sports Pack

- Turn the POWER switch to CAMERA.
Set the POWER switch to start recording.
The recording lamp lights in the viewfinder.
Set to AUTO LOCK mode for automatic adjustment.
When using the START/STOP MODE switch to 1/2 or 5 SEC, if available.
When you use a camcorder with finder power save function, set the switch to OFF.
Set the STANDBY switch of the camcorder to LOCK.

Before You Begin

- Battery pack
Cassette tape
Fully charged.
The tape length will cover the planned recording time.
The tape is wound to the point where you want to start recording.
The safety tab on the cassette is in the correct position.
No scratches or cracks.
Correctly set in the groove.
Water-proof gasket
Material: Plastic (PC, ABS), verre. Etanchéité. Joint d'étanchéité, boucles. Microphone intégré. Stéréo. Dimensions: Env. 177 x 173 x 274 mm (l/h/p). Poids: Env. 800g (caïsson uniquement). Accessoires fournis.

Contrôle de l'image enregistrée

Vous pouvez contrôler l'image enregistrée dans le viseur en utilisant la télécommande fournie avec le caméscope. Vous ne pouvez pas entendre le son.
1. Mettez l'Interrupteur POWER sur PLAYER.
2. Appuyez sur PLAY de la télécommande.
Utilisez la télécommande pour toutes les autres fonctions, y compris l'arrêt, le rebobinage et l'avance rapide.

Retrait du caméscope

- Release the buckles, and open the rear body.
Before opening the sports pack, wipe moisture off the sports pack and yourself. Do not allow water on the camcorder.
Set the STANDBY switch of the camcorder to LOCK.
Holding the camera mounting shoe by the knobs on both sides of it, press the knobs and extract the camcorder.
While extracting the camcorder, stop extracting at the point that the remote control plug is come out from the sports pack to disconnect the REMOTE.
Disconnect the MIC plug from the MIC jack.
Detach the viewfinder adaptor.
Detach the camera mounting shoe.

Utilization du caïsson

- Turn the POWER switch to CAMERA.
Set the POWER switch to start recording.
The recording lamp lights in the viewfinder.
Set to AUTO LOCK mode for automatic adjustment.
When using the START/STOP MODE switch to 1/2 or 5 SEC, if available.
When you use a camcorder with finder power save function, set the switch to OFF.
Set the STANDBY switch of the camcorder to LOCK.

Before You Begin

- Battery pack
Cassette tape
Fully charged.
The tape length will cover the planned recording time.
The tape is wound to the point where you want

Free Manuals Download Website

<http://myh66.com>

<http://usermanuals.us>

<http://www.somanuals.com>

<http://www.4manuals.cc>

<http://www.manual-lib.com>

<http://www.404manual.com>

<http://www.luxmanual.com>

<http://aubethermostatmanual.com>

Golf course search by state

<http://golfingnear.com>

Email search by domain

<http://emailbydomain.com>

Auto manuals search

<http://auto.somanuals.com>

TV manuals search

<http://tv.somanuals.com>