

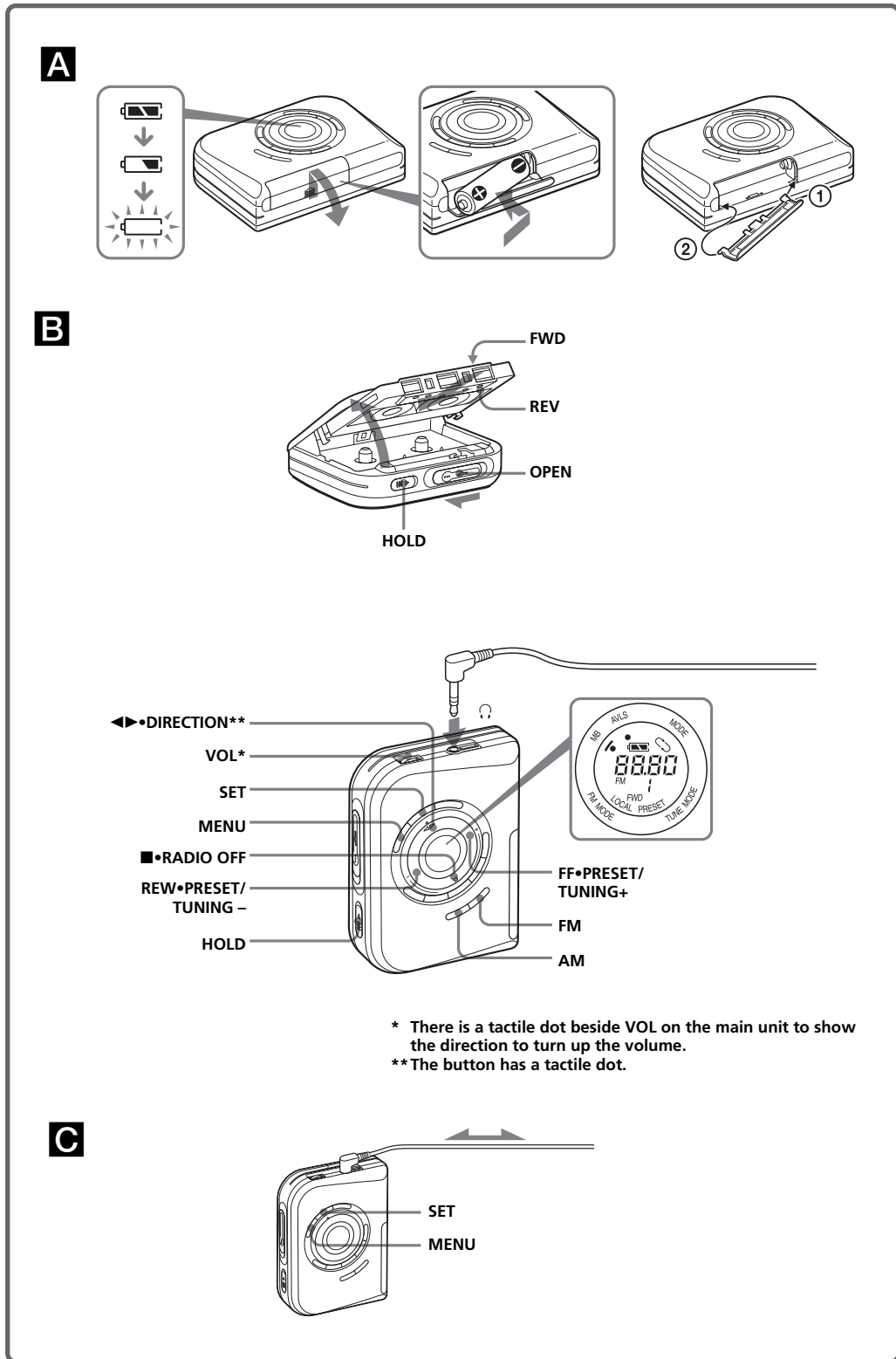
Radio Cassette Player

Operating Instructions



WM-FX490

© 2005 Sony Corporation Printed in China



Preparations

To Insert Battery

Slide and open the battery compartment lid, and insert one R6 (size AA) dry battery with correct polarity.

Replace the battery with new one when "☐" flashes on the display.

To attach the battery compartment lid, if it is accidentally detached

Attach it as illustrated.

Playing a Tape

- 1 If the HOLD function is turned on, slide the HOLD switch in the opposite direction of the ▷ mark to unlock the controls.
- 2 Insert a cassette.
- 3 Press ◀▶ (play)•DIRECTION. Adjust the volume with VOL.

Note on the cassette holder

When opening the cassette holder, press the ■ button and make sure the tape is stopped by checking through the cassette window, then slide the OPEN switch. If the cassette holder is opened before the tape is stopped, the tape may loosen and be damaged.

To	Press
Switch playback to the other side	◀▶•DIRECTION during playback
Stop playback	■•RADIO OFF
Fast forward	FF during stop
Rewind	REW during stop
Play the same side from the beginning (Auto Play function)	REW during playback
Play the other side from the beginning (Skip Reverse function)	FF during playback

To select playback mode

Press MENU repeatedly to set the cursor to MODE on the display. Then press SET to select the desired mode.

To play	Select
Both sides repeatedly	↻
Both sides once from the side facing the cassette holder	↷

Using Other Functions

To lock the controls

Set the HOLD switch to the direction of the ▷ mark to lock the controls.

To emphasize bass sound

Press MENU repeatedly to set the cursor to MB (MEGA BASS) on the display. Then, press SET to show "●". With each press, the indications change as follows:

- : emphasizes bass sound (MEGA BASS)
- No message: off (normal)

Notes

- If the sound is distorted with the mode "MB", turn down the volume of the main unit or select normal mode.
- Bass emphasis may not show great effect if the volume is turned up too high.

To protect your hearing—AVLS (Automatic Volume Limiter System)

When you set the AVLS function to active, the maximum volume is kept down to protect your ears.

Press MENU repeatedly to set the cursor to AVLS on the display. Then press SET to show "●".

Note

The AVLS function will be cancelled when you replace the battery.

Listening to the Radio

- 1 If the HOLD function is turned on, slide the HOLD switch in the opposite direction of the ▷ mark to unlock the controls. Make sure that the tape has stopped completely.
- 2 Press FM or AM to select the desired band and to turn on the radio.
- 3 Press PRESET/TUNING + or - to tune in to the desired station. If the signal is strong, you can scan for stations. Press MENU repeatedly to set the cursor on the display to TUNE MODE and press SET to display "MANUAL". Then hold down PRESET/TUNING + or - for a few seconds.

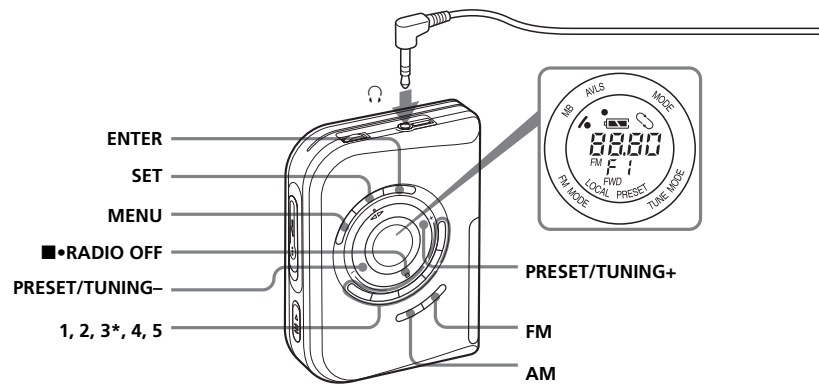
To turn off the radio

Press ■•RADIO OFF.

To improve broadcast reception

- **For FM:** Extend the headphones/earphones cord (antenna). If the reception is still not good, press MENU repeatedly to set the cursor on the display to FM MODE. Then press SET to switch between "LOCAL" and none (DX), or "MONO" and none (stereo) for best reception.
- **For AM:** Reorient the unit itself.

(turn over)

D

* The button has a tactile dot.

Specifications

• Frequency range

FM: 87.5 - 108 MHz
AM: 531 - 1 602 kHz

• Output

Headphones (⌚) jack
Load impedance 8 - 300 Ω

• Power requirements

One R6 (size AA) battery: 1.5V DC × 1

• Dimensions (w/h/d)

Approx. 81.1 × 111.2 × 29.3 mm, excl. projecting parts and controls

• Mass

Approx. 137 g (main unit only)

• Supplied accessories

Stereo headphones or earphones (1)
Hand strap (1)

Design and specifications are subject to change without notice.

Battery life* (approximate hours)

	Sony alkaline LR6 (SG)**	Sony R6P (SR)
Tape playback	35	9
Radio reception	40	14

* Measured value by the standard of JEITA (Japan Electronics and Information Technology Industries Association).
(Using a Sony HF series cassette tape)

**When using a Sony LR6(SG) alkaline dry battery (produced in Japan).

Note

- The battery life may be shorter depending on the operating condition, the surrounding temperature and battery type.

Presetting Radio Stations

D

You can preset up to 40 stations, 35 for FM and 5 for AM.

Presetting Automatically Scanned Stations

- 1 Press FM or AM to select the desired band.
- 2 Press and hold ENTER for more than 3 seconds.

Preset number 1 will flash on the display and the Walkman starts scanning the stations from the lower frequencies and stops for about 5 seconds when a station is received.

- 3 If you wish to preset the currently received station, press ENTER while the preset number is flashing.

The received station is preset on preset number 1 and the unit starts scanning for the next receivable station.

- 4 Repeat step 3 until all receivable stations are preset.

To stop scanning

Press ■•RADIO OFF. The radio is turned off at the same time.

Notes

- If stations are already stored, the newly preset stations replace the old ones when the above procedure is completed.
- If stations cannot be preset automatically, preset them manually.

Presetting Stations Manually

- 1 Press FM or AM to select the desired band.
- 2 Press ENTER.

The frequency digits will flash on the display.

- 3 While the frequency digits are flashing, tune in to a station you wish to store using PRESET/TUNING + or - and press ENTER.

The preset number will flash on the display.

- 4 While the preset number is flashing, select the preset number you want using PRESET/TUNING + or - and press ENTER.

Notes

- If you cannot complete step 3 or 4 while the indicators are flashing, repeat from step 2.
- If a station is already stored, the new station replaces the old one.

Playing the preset radio stations

- 1 Press FM or AM to select the desired band.
- 2 Press MENU repeatedly to set the cursor on the display to TUNE MODE. Then press SET to display "PRESET".
- 3 Press PRESET/TUNING + or -.

To cancel a stored station

- 1 Follow the procedure above and in step 3, select the preset number you want to cancel and then press ENTER. The frequency digits will flash on the display.
- 2 Press and hold PRESET/TUNING + or -. The frequency digit starts running up or down. Keep holding down the button until " - - - " is displayed.
- 3 Press ENTER while " - - - " is flashing. A preset number will flash on the display.
- 4 Press ENTER to cancel the stored station.

Scanning the preset radio stations — DAPS (Digital Auto Preset Scanning)

- 1 Press FM or AM to select the desired band.
- 2 Press and hold FM or AM pressed in step 1 for 2 seconds or more.

The preset stations of the selected band will be played for about 5 seconds each. (During DAPS the indicators on the display flash.)

- 3 Press FM or AM again to select the station while the desired preset station is being played.

Notes

- If there are no stations stored, the DAPS function does not work.
- Until a station is selected in step 3, the DAPS function turned on in step 2 will continue.
- In step 2 or 3, if you select a band which you did not select in step 1 by pressing FM or AM, the newly selected band will be played normally.

Enjoying Your Favorite Radio Stations — DSB (Direct Station Buttons)

You can preset up to 5 of your favorite stations on the Direct Station Buttons (1 - 5) and play a station of your choice just by pressing the corresponding button.

- 1 Press FM or AM to select the desired band.
- 2 Tune in to the desired station.
- 3 Hold down one of the Direct Station Buttons (1 - 5) to which you want to assign the station for 2 seconds.

When the station has been preset successfully, the beep sounds and the indication "F1", "F2", "F3", "F4" or "F5" appears on the display.

To play a preset radio station (DSB)

You can listen to the station you want by pressing the buttons (1 - 5) without selecting the band. Make sure that the tape has stopped completely.

Note

If 5 stations are already stored on the Direct Station Buttons, the newly preset station replaces the old one when the above procedure is completed.

Precautions

On batteries

- Do not carry dry batteries with coins or other metallic objects. It can generate heat if the positive and negative terminals of the batteries are accidentally contacted by a metallic object.
- When you are not going to use your Walkman for a long time, remove the battery to prevent damage from battery leakage and corrosion.

On handling

- Do not leave the unit in a location near heat sources, or in a place subject to direct sunlight, excessive dust or sand, moisture, rain, mechanical shock, or in a car with its windows closed.
- We do not recommend the use of tape longer than 90 minutes. They are very thin and tend to be stretched easily. This may cause malfunction of the unit or sound deterioration.
- The LCD display may become hard to see or slow down when using the unit at high temperatures (above 40°C) or at low temperatures (below 0°C). At room temperature, the display will return to its normal operating condition.
- If the unit has not been used for a long time, set it in the playback mode to warm it up for a few minutes before inserting a cassette.

On headphones/earphones

Road safety

Do not use headphones/earphones while driving, cycling, or operating any motorized vehicle. It may create a traffic hazard and is illegal in some areas. It can also be potentially dangerous to play your headphones/earphones at high volume while walking, especially at pedestrian crossings. You should exercise extreme caution or discontinue use in potentially hazardous situations.

Preventing hearing damage

Do not use headphones/earphones at high volume. Hearing experts advise against continuous, loud and extended play. If you experience a ringing in your ears, reduce volume or discontinue use.

Caring for others

Keep the volume at a moderate level. This will allow you to hear outside sounds and to be considerate to the people around you.

On maintenance

- Clean the tape head and tape path using a cotton swab and commercially available cleaning solvent after every 10 hours of use.
- To clean the exterior, use a soft cloth slightly moistened in water. Do not use alcohol, benzene or thinner.
- Clean the headphones/earphones plugs periodically.

Troubleshooting

The display shows incorrect information.

- The battery is weak. Replace the battery with new one.

The display and the operation are not normal.

- Remove the power sources for 15 seconds or more, and then set them again.

Free Manuals Download Website

<http://myh66.com>

<http://usermanuals.us>

<http://www.somanuals.com>

<http://www.4manuals.cc>

<http://www.manual-lib.com>

<http://www.404manual.com>

<http://www.luxmanual.com>

<http://aubethermostatmanual.com>

Golf course search by state

<http://golfingnear.com>

Email search by domain

<http://emailbydomain.com>

Auto manuals search

<http://auto.somanuals.com>

TV manuals search

<http://tv.somanuals.com>