

# Radio Cassette Player

## Operating Instructions

Yōkaia kashi no / Ise

## WM-FX571

Sony Corporation © 1998 Printed in Malaysia

## WALKMAN

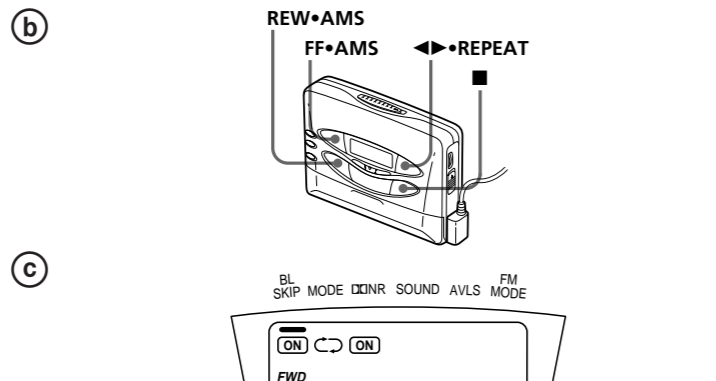
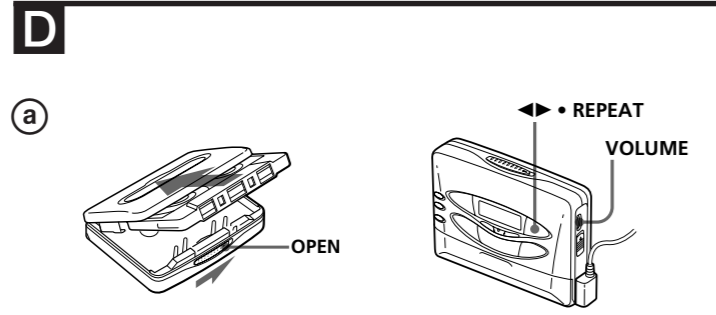
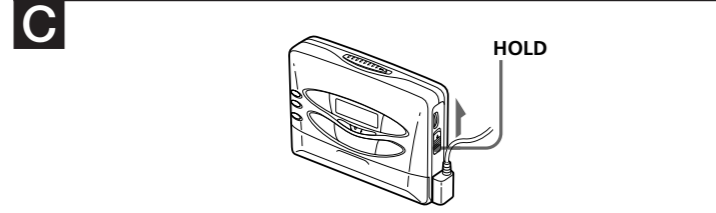
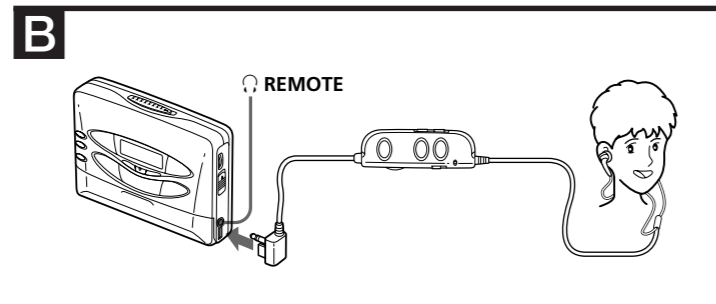
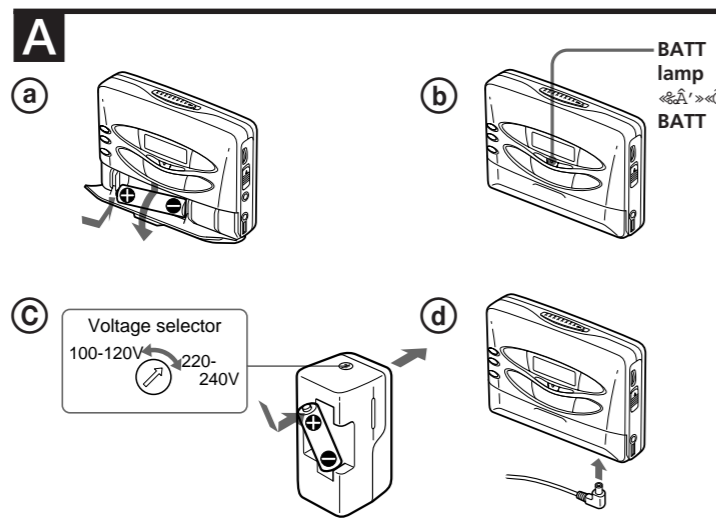
WALKMAN is a registered trademark of Sony Corporation. WALKMANは登録商標です。

### WARNING

To prevent fire or shock hazard, do not expose the unit to rain or moisture.

## † 〇 ー †

Watashi no koto ni ...



## Welcome!

Thank you for purchasing the Sony WM-FX571 Radio Cassette Player. Some features are:

- You can enjoy low bass sounds by the powerful earphones.
- You can choose from 2 different emphasizing tones: MB (MEGA BASS) and GRV (GROOVE) to adjust to your favorite sound.
- LCD Menu function that lets you select and switch functions in the display window of the main unit.
- Auto Memory Scanning function that lets you store and recall up to 16 stations for FM and 8 stations for AM automatically.
- AMS (Automatic Music Sensor) function that searches the beginning of the current and 2 previous tracks, and succeeding 3 tracks at high speed.
- Useful remote control.

- Insert the supplied rechargeable battery (NC-AA) for the tourist model only into the charger with correct polarity.
- Plug in the charger to the wall outlet. Full charging takes about 4 hours. If the plug does not fit your mains, attach the supplied AC plug adaptor (for the "Sony Tourist Model" only).
- Insert the fully charged battery into the battery compartment (see Fig. A-①).

## Getting Started

### Preparing a Power Source

Choose either dry battery or house current as the power source. For the tourist model, the supplied rechargeable battery can be used.

### Dry Battery (see Fig. A-①)

Open the battery compartment lid, and insert an R6 (size AA) dry battery (not supplied) with correct polarity.

### When to replace the battery (see Fig. A-②)

Replace the battery with a new one when the BATT lamp dims.

**Battery life (Approx. hours) (EIAJ)\***

	Sony alkaline LR6 (5G)	Sony R6P (5R)
Tape playback	30	8
Radio reception	31	8

\* Measured value by the standard of EIAJ (Electronic Industries Association of Japan). (Using a Sony HF series cassette tape)

- Note**
- The battery life may shorten depending on the operation of the unit.

For maximum performance we recommend that you use an alkaline battery.

- Notes**
- Do not charge a dry battery.
  - When you do not use the Walkman for a long time, remove the battery to avoid any damage caused by battery leakage and subsequent corrosion.

### Rechargeable Battery (see Fig. A-③) ("Sony Tourist Model" only)

- Set the voltage selector to the correct position with the right operating voltage using a screwdriver, etc.

- Insert the supplied rechargeable battery (NC-AA) for the tourist model only into the charger with correct polarity.
- Plug in the charger to the wall outlet. Full charging takes about 4 hours. If the plug does not fit your mains, attach the supplied AC plug adaptor (for the "Sony Tourist Model" only).
- Insert the fully charged battery into the battery compartment (see Fig. A-①).

### Battery life (Approx. hours) (EIAJ)\*

**Rechargeable battery (NC-AA)**

Tape playback	8
Radio reception	9

\* Measured value by the standard of EIAJ (Electronic Industries Association of Japan). (Using a Sony HF series cassette tape)

**Notes**

- The battery life may shorten depending on the operation of the unit.
- Do not tear off the film on the rechargeable battery.
- Use the Sony NC-AA rechargeable battery only with the supplied battery charger (for the "Sony Tourist Model" only).
- Do not leave the charger plugged in for more than 20 hours. Overcharging may damage the rechargeable battery.
- The battery charger and the rechargeable battery may become warm during charging, but it is not a problem.

### House Current (mains) (see Fig. A-④)

Connect the AC power adaptor AC-E15HG (not supplied) to the DC IN 1.5 V jack and to the mains. Do not use any other AC power adaptor. Specifications for AC-E15HG vary for each area. Check your local voltage and the polarity of the plug before purchasing.



### Connecting the Earphones (see Fig. B)

- Connect the earphones to the REMOTE.
- Wear the "L" marked side to the left ear and "R" marked side to the right ear. If the earphones do not fit to your ears or the sound is unbalanced, adjust the earphones to fit to your ears firmly.

## Releasing HOLD (see Fig. C)

The HOLD function locks the Walkman to prevent them from operating when you accidentally press a button. If the Walkman is locked, unlock it before operating.

- Slide HOLD to the opposite direction of the arrow on the Walkman.

### To lock the Walkman

Slide HOLD in the direction of the arrow on the Walkman.

### To lock and unlock the remote control

See "Using the Remote Control".

## Operating the Walkman

### Playing a Tape (see Fig. D-①)

The Auto Tape Selector automatically selects the tape (normal (TYPE I), CrO<sub>2</sub> (TYPE II) or metal (TYPE IV)) for playback.

- Insert a cassette.
- Press ◀•REPEAT to start playing then adjust the volume.

### When adjusting the volume on the Walkman

Set the VOL control on the remote control at maximum.

### When adjusting the volume on the remote control

Set the VOLUME control on the Walkman to around 6.

### To operate using the remote control

See "Using the Remote Control".

To	Press (see Fig. D-②)
play the other side	◀•REPEAT during playback
stop playback	■
fast forward	FF•AMS during stop
rewind	REW•AMS during stop
repeat the track you are listening to (Repeat Single Track function)	◀•REPEAT for two seconds or more during playback <i>To stop a single repeat, press it again.</i>
find the beginning of the next track / succeeding 3 tracks (AMS*)	FF•AMS once / repeatedly during playback
find the beginning of the current track / previous 2 tracks (AMS*)	REW•AMS once / repeatedly during playback
play the other side from the beginning (Skip Reverse function)	FF•AMS for two seconds or more during stop
play the same side from the beginning (Auto Rewind Play function)	REW•AMS for two seconds or more during stop

\* Automatic Music Sensor

## Note on Beeps during AMS operations

The beeps differ in relation to the track number being searched. When finding the beginning of the next 3 tracks during AMS operations, beeps "• - -" (beep followed by three long beeps) are emitted repeatedly. Likewise, when finding the beginning of the previous 2 tracks, beeps "• - -" are emitted repeatedly. While the remaining tracks are reduced, the number of long beeps are reduced accordingly.

### To skip a long blank space between musics. (BL SKIP\* function) (see Fig. D-②)

Press MENU repeatedly to set the cursor to BL SKIP in the display. Then press SET to show "ON".

\* The Walkman fast forwards the tape to the next track if there is a blank space longer than 12 seconds.

### To select playback mode (see Fig. D-③)

Press MENU repeatedly to set the cursor to MODE in the display. Then press SET to select the desired mode.

To play	Select
Both sides repeatedly	◀
Both sides once from the side facing the cassette holder	▶

### Note on AMS, REPEAT Single Track and BL SKIP

To operate the AMS and the REPEAT Single Track functions, you need a blank of 4 seconds or longer between the tracks. For the BL SKIP function, you need a blank of 12 seconds or longer. Therefore, if there is noise between the tracks, these functions will not detect the blank and will not operate. Likewise, if the recording level is moderately low within a track, these functions may inaccurately operate.

### To play a tape recorded with Dolby\* NR system (see Fig. D-④)

Press MENU repeatedly to set the cursor to DD NR (Dolby noise reduction) in the display. Then press SET to show "ON".

\* Dolby noise reduction manufactured under license from Dolby Laboratories Licensing Corporation. "DOLBY" and the double-D symbol DD are trademarks of Dolby Laboratories Licensing Corporation.

... / Ise kashi no ... AMS  
... / Ise kashi no ... AMS  
... / Ise kashi no ... AMS  
... / Ise kashi no ... AMS

... / Ise kashi no ... AMS  
... / Ise kashi no ... AMS  
... / Ise kashi no ... AMS  
... / Ise kashi no ... AMS

... / Ise kashi no ... AMS  
... / Ise kashi no ... AMS  
... / Ise kashi no ... AMS  
... / Ise kashi no ... AMS

... / Ise kashi no ... AMS  
... / Ise kashi no ... AMS  
... / Ise kashi no ... AMS  
... / Ise kashi no ... AMS

... / Ise kashi no ... AMS  
... / Ise kashi no ... AMS  
... / Ise kashi no ... AMS  
... / Ise kashi no ... AMS

... / Ise kashi no ... AMS  
... / Ise kashi no ... AMS  
... / Ise kashi no ... AMS  
... / Ise kashi no ... AMS

... / Ise kashi no ... AMS  
... / Ise kashi no ... AMS  
... / Ise kashi no ... AMS  
... / Ise kashi no ... AMS

... / Ise kashi no ... AMS  
... / Ise kashi no ... AMS  
... / Ise kashi no ... AMS  
... / Ise kashi no ... AMS

... / Ise kashi no ... AMS  
... / Ise kashi no ... AMS  
... / Ise kashi no ... AMS  
... / Ise kashi no ... AMS

... / Ise kashi no ... AMS  
... / Ise kashi no ... AMS  
... / Ise kashi no ... AMS  
... / Ise kashi no ... AMS

... / Ise kashi no ... AMS  
... / Ise kashi no ... AMS  
... / Ise kashi no ... AMS  
... / Ise kashi no ... AMS

... / Ise kashi no ... AMS  
... / Ise kashi no ... AMS  
... / Ise kashi no ... AMS  
... / Ise kashi no ... AMS

... / Ise kashi no ... AMS  
... / Ise kashi no ... AMS  
... / Ise kashi no ... AMS  
... / Ise kashi no ... AMS

... / Ise kashi no ... AMS  
... / Ise kashi no ... AMS  
... / Ise kashi no ... AMS  
... / Ise kashi no ... AMS

... / Ise kashi no ... AMS  
... / Ise kashi no ... AMS  
... / Ise kashi no ... AMS  
... / Ise kashi no ... AMS

... / Ise kashi no ... AMS  
... / Ise kashi no ... AMS  
... / Ise kashi no ... AMS  
... / Ise kashi no ... AMS

... / Ise kashi no ... AMS  
... / Ise kashi no ... AMS  
... / Ise kashi no ... AMS  
... / Ise kashi no ... AMS

... / Ise kashi no ... AMS  
... / Ise kashi no ... AMS  
... / Ise kashi no ... AMS  
... / Ise kashi no ... AMS

... / Ise kashi no ... AMS  
... / Ise kashi no ... AMS  
... / Ise kashi no ... AMS  
... / Ise kashi no ... AMS

... / Ise kashi no ... AMS  
... / Ise kashi no ... AMS  
... / Ise kashi no ... AMS  
... / Ise kashi no ... AMS

... / Ise kashi no ... AMS  
... / Ise kashi no ... AMS  
... / Ise kashi no ... AMS  
... / Ise kashi no ... AMS

... / Ise kashi no ... AMS  
... / Ise kashi no ... AMS  
... / Ise kashi no ... AMS  
... / Ise kashi no ... AMS

... / Ise kashi no ... AMS  
... / Ise kashi no ... AMS  
... / Ise kashi no ... AMS  
... / Ise kashi no ... AMS

... / Ise kashi no ... AMS  
... / Ise kashi no ... AMS  
... / Ise kashi no ... AMS  
... / Ise kashi no ... AMS

... / Ise kashi no ... AMS  
... / Ise kashi no ... AMS  
... / Ise kashi no ... AMS  
... / Ise kashi no ... AMS

... / Ise kashi no ... AMS  
... / Ise kashi no ... AMS  
... / Ise kashi no ... AMS  
... / Ise kashi no ... AMS

### Listening to the Radio (see Fig. E-8)

- 1 Press RADIO ON/BAND to turn on the radio.
- 2 Press RADIO ON/BAND repeatedly to select AM or FM.
- 3 Press TUNING+/- to tune in to the desired station. If you keep pressing TUNING+/- for a few seconds, the Walkman will start tuning to the stations automatically.

To turn off the radio Press ■RADIO OFF.

### To improve the broadcast reception

- For AM: The Walkman has a built-in antenna. Reorient the Walkman horizontally to obtain optimum AM reception.
- For FM (see Fig. E-9): Extend the cord of the remote control, the aerial. If the reception is still not good, press MENU repeatedly to set the cursor to FM MODE in the display. Then press SET to choose from MONO (monaural), LOCAL or none (stereo) mode for best reception.

Note Do not remove the power sources while listening to the radio, or the received stations may not be stored.

### Presetting Radio Stations

Once you store your favorite stations in memory, you can play them easily. You can preset up to 16 stations for FM and 8 stations for AM.

### Tuning in to and Storing Radio Stations Automatically (Auto-Memory Scanning function) (see Fig. E-9)

- 1 Press RADIO ON/BAND to turn on the radio.
- 2 Press RADIO ON/BAND repeatedly to select AM or FM.
- 3 Press ENTER until "A" appears in the display. The Walkman starts searching and storing stations.
- 4 After the preset number appears, tune into a station using PRESET+/-.

### Storing Radio Stations Manually (Manual-Memory function) (see Fig. E-10)

You can preset the stations in any order.

- 1 Turn on the radio and select the desired band.
- 2 Press ENTER. The frequency digits and a preset number flash in the display.
- 3 While the frequency digits and the preset number are flashing, tune in to a station you wish to store using TUNING+/-, and select a preset number using PRESET+/-.
- 4 While the frequency digits and the preset number are flashing, press ENTER.
- 5 Tune in to a station using PRESET+/-.

Notes If you cannot complete step 3 or 4 while the indications are flashing, repeat from step 2. If you preset a new station to the same preset number, the previously stored station will be erased.

### To cancel the stored station

Follow the procedure above and in step 3, instead of tuning in to a station, press and hold TUNING+/- until "----" is displayed. Press ENTER while "----" is flashing.

### Receiving Stations Outside Your Country (excluding models for Europe and Saudi Arabia) (see Fig. E-10)

The frequency range differs depending on the area (see the chart "Area indication and frequency range"). If you listen to the radio in an area of different frequency range, change the area indication.

- 1 Press RADIO ON/BAND to turn on the radio.
- 2 Press ENTER.
- 3 Press and hold RADIO ON/BAND until the area indication flashes in the display.
- 4 Press RADIO ON/BAND repeatedly to select the following area "Eur", "Jpn" or "USA" and press ENTER.
- 5 Tune in to and store stations as necessary following the procedure of the "Listening to the Radio" and "Presetting Radio Stations". (Stations are stored independently for each area.)

### Area indication and frequency range

Area*	Frequency range FM (MHz)	AM(kHz)
Eur	87.5-108	531-1,602
Jpn	76-90	531-1,710
USA	87.5-108	530-1,710

\*Eur : European and other countries  
Jpn : Japan  
USA : North, Central, and South America

### Using Other Functions (see Fig. E-1)

#### Emphasizing Bass

- 1 Press MENU repeatedly to set the cursor to SOUND in the display. Then, press SET to select the desired mode. With each press, the indications change as follows.  
MB (MEGA BASS) : emphasizes bass sound  
GRV (GROOVE) : emphasizes deeper bass sound  
No message: off (normal)

Note If the sound is distorted with the mode "GRV", select the mode "MB" or no message.

#### Protecting Your Hearing (AVLS)

When you set the AVLS (Automatic Volume Limiter System) function to active, the maximum volume is kept down to protect your ears.

- 1 Press MENU repeatedly to set the cursor to AVLS in the display. Then press SET to show "☺".

Notes If the sound is distorted when you listen to the bass-boosted sound with the AVLS function, turn down the volume. The setting is stored as long as the battery is not replaced.

### Using the Remote Control (see Fig. E-1)

All buttons on the remote control unless otherwise noted below function identically to those corresponding on the main unit.

#### To lock the buttons

- 1 Slide HOLD so that the yellow mark appears.

To unlock, slide HOLD so that the yellow mark is hidden.

### Additional Information

#### Precautions

##### On rechargeable battery and charger ("Sony Tourist Model" only)

- If the rechargeable battery is new or has not been used for a long time, it may not be charged completely until you use it several times.
- The nameplate indicating the operating voltage, power consumption, etc. is located on the bottom exterior of the battery charger.

On batteries Do not carry the dry or rechargeable batteries with coins or other metallic objects. It can generate heat if the positive and negative terminals of the batteries are accidentally contacted by a metallic object.

#### On the unit

- Do not drop the unit or give a shock to the unit, or it may cause a malfunction.
- Do not leave the unit in a location near heat sources, or in a place subject to direct sunlight, excessive dust or sand, moisture, rain, mechanical shock, or in a car with its windows closed.
- The LCD display may become hard to see or slow down when using the unit at high temperatures (above 40°C/104°F) or at low temperatures (below 0°C/32°F). At room temperature, the display will return to its normal operating condition.
- If the unit has not been used for long, set it in the playback mode and warm it up for a few minutes before inserting a tape.

#### The volume cannot be turned up.

If "☺" appears for AVLS display, press SET so that "☺" disappears.

#### The tape fastforwards by itself during playback.

If "ON" appears for BL SKIP display, press SET so that "ON" disappears.

#### The unit does not operate at all.

HOLD is activated. Deactivate HOLD.

#### On tapes longer than 90 minutes

We do not recommend the use of tapes longer than 90 minutes except for a long continuous playback. They are very thin and tend to be stretched easily.

On headphones/earphones Road safety Do not use headphones/earphones while driving, cycling, or operating any motorized vehicle. It may create a traffic hazard and is illegal in some areas. It can also be potentially dangerous to play your headphones/earphones at high volume while walking, especially at pedestrian crossings. You should exercise extreme caution or discontinue use in potentially hazardous situations.

### Specifications

#### Radio section

Frequency range FM: 65 - 74/87.5 - 108 MHz (Eastern Europe) 87.5 - 108 MHz (Other countries) AM: 530 - 1,710 kHz (North, Central, and South America) 531 - 1,602 kHz (Other countries)

#### Tape section

Frequency response (Dolby NR off) Playback: 20-18,000 Hz Output Headphones (⌚) REMOTE jack Load impedance 8-300 ohms

#### General

Power requirements 1.5 V One R6 (size AA) battery Rechargeable battery (for the "Sony Tourist Model" only) Dimensions (w/h/d) Approx. 109 x 79.2 x 29.4 mm (4 3/8 x 3 1/8 x 1 1/8 inches) incl. projecting parts and controls Mass Approx. 150 g (5.3 oz) Approx. 210 g (7.5 oz) incl. a battery and a cassette

#### Supplied accessories

- Stereo earphones with remote control (1)
- Battery charger (1) ("Sony Tourist Model" only)
- AC plug adaptor (1) ("Sony Tourist Model" only)
- Rechargeable battery (NC-AA) (1) ("Sony Tourist Model" only)
- Battery R6P (SR) (1) ("Sony Tourist Model" only)
- Carrying pouch (1)

Design and specifications are subject to change without notice.

#### Troubleshooting

The cassette holder does not open. If the tape is playing, stop and then slide OPEN. This condition may occur when you remove the power sources during playback, or when you use exhausted dry or rechargeable battery. Set the power sources again or replace the exhausted battery with new one.

The volume cannot be turned up. If "☺" appears for AVLS display, press SET so that "☺" disappears.

The tape fastforwards by itself during playback. If "ON" appears for BL SKIP display, press SET so that "ON" disappears.

The unit does not operate at all. HOLD is activated. Deactivate HOLD.

On tapes longer than 90 minutes We do not recommend the use of tapes longer than 90 minutes except for a long continuous playback. They are very thin and tend to be stretched easily.

On headphones/earphones Road safety Do not use headphones/earphones while driving, cycling, or operating any motorized vehicle. It may create a traffic hazard and is illegal in some areas. It can also be potentially dangerous to play your headphones/earphones at high volume while walking, especially at pedestrian crossings. You should exercise extreme caution or discontinue use in potentially hazardous situations.

FM MODE  
TUNING+/-  
PRESET+/-  
ENTER  
RADIO ON/BAND  
VOLUME  
HOLD

FM MODE  
TUNING+/-  
PRESET+/-  
ENTER  
RADIO ON/BAND  
VOLUME  
HOLD

FM MODE  
TUNING+/-  
PRESET+/-  
ENTER  
RADIO ON/BAND  
VOLUME  
HOLD

FM MODE  
TUNING+/-  
PRESET+/-  
ENTER  
RADIO ON/BAND  
VOLUME  
HOLD

FM MODE  
TUNING+/-  
PRESET+/-  
ENTER  
RADIO ON/BAND  
VOLUME  
HOLD

FM MODE  
TUNING+/-  
PRESET+/-  
ENTER  
RADIO ON/BAND  
VOLUME  
HOLD

FM MODE  
TUNING+/-  
PRESET+/-  
ENTER  
RADIO ON/BAND  
VOLUME  
HOLD

FM MODE  
TUNING+/-  
PRESET+/-  
ENTER  
RADIO ON/BAND  
VOLUME  
HOLD

FM MODE  
TUNING+/-  
PRESET+/-  
ENTER  
RADIO ON/BAND  
VOLUME  
HOLD

FM MODE  
TUNING+/-  
PRESET+/-  
ENTER  
RADIO ON/BAND  
VOLUME  
HOLD

FM MODE  
TUNING+/-  
PRESET+/-  
ENTER  
RADIO ON/BAND  
VOLUME  
HOLD

FM MODE  
TUNING+/-  
PRESET+/-  
ENTER  
RADIO ON/BAND  
VOLUME  
HOLD

FM MODE  
TUNING+/-  
PRESET+/-  
ENTER  
RADIO ON/BAND  
VOLUME  
HOLD

FM MODE  
TUNING+/-  
PRESET+/-  
ENTER  
RADIO ON/BAND  
VOLUME  
HOLD

FM MODE  
TUNING+/-  
PRESET+/-  
ENTER  
RADIO ON/BAND  
VOLUME  
HOLD

FM MODE  
TUNING+/-  
PRESET+/-  
ENTER  
RADIO ON/BAND  
VOLUME  
HOLD

FM MODE  
TUNING+/-  
PRESET+/-  
ENTER  
RADIO ON/BAND  
VOLUME  
HOLD

FM MODE  
TUNING+/-  
PRESET+/-  
ENTER  
RADIO ON/BAND  
VOLUME  
HOLD

FM MODE  
TUNING+/-  
PRESET+/-  
ENTER  
RADIO ON/BAND  
VOLUME  
HOLD

FM MODE  
TUNING+/-  
PRESET+/-  
ENTER  
RADIO ON/BAND  
VOLUME  
HOLD

FM MODE  
TUNING+/-  
PRESET+/-  
ENTER  
RADIO ON/BAND  
VOLUME  
HOLD

FM MODE  
TUNING+/-  
PRESET+/-  
ENTER  
RADIO ON/BAND  
VOLUME  
HOLD

FM MODE  
TUNING+/-  
PRESET+/-  
ENTER  
RADIO ON/BAND  
VOLUME  
HOLD

FM MODE  
TUNING+/-  
PRESET+/-  
ENTER  
RADIO ON/BAND  
VOLUME  
HOLD

FM MODE  
TUNING+/-  
PRESET+/-  
ENTER  
RADIO ON/BAND  
VOLUME  
HOLD

FM MODE  
TUNING+/-  
PRESET+/-  
ENTER  
RADIO ON/BAND  
VOLUME  
HOLD

FM MODE  
TUNING+/-  
PRESET+/-  
ENTER  
RADIO ON/BAND  
VOLUME  
HOLD

FM MODE  
TUNING+/-  
PRESET+/-  
ENTER  
RADIO ON/BAND  
VOLUME  
HOLD

FM MODE  
TUNING+/-  
PRESET+/-  
ENTER  
RADIO ON/BAND  
VOLUME  
HOLD

FM MODE  
TUNING+/-  
PRESET+/-  
ENTER  
RADIO ON/BAND  
VOLUME  
HOLD

FM MODE  
TUNING+/-  
PRESET+/-  
ENTER  
RADIO ON/BAND  
VOLUME  
HOLD

FM MODE  
TUNING+/-  
PRESET+/-  
ENTER  
RADIO ON/BAND  
VOLUME  
HOLD

FM MODE  
TUNING+/-  
PRESET+/-  
ENTER  
RADIO ON/BAND  
VOLUME  
HOLD

FM MODE  
TUNING+/-  
PRESET+/-  
ENTER  
RADIO ON/BAND  
VOLUME  
HOLD

FM MODE  
TUNING+/-  
PRESET+/-  
ENTER  
RADIO ON/BAND  
VOLUME  
HOLD

FM MODE  
TUNING+/-  
PRESET+/-  
ENTER  
RADIO ON/BAND  
VOLUME  
HOLD

FM MODE  
TUNING+/-  
PRESET+/-  
ENTER  
RADIO ON/BAND  
VOLUME  
HOLD

FM MODE  
TUNING+/-  
PRESET+/-  
ENTER  
RADIO ON/BAND  
VOLUME  
HOLD

FM MODE  
TUNING+/-  
PRESET+/-  
ENTER  
RADIO ON/BAND  
VOLUME  
HOLD

FM MODE  
TUNING+/-  
PRESET+/-  
ENTER  
RADIO ON/BAND  
VOLUME  
HOLD

FM MODE  
TUNING+/-  
PRESET+/-  
ENTER  
RADIO ON/BAND  
VOLUME  
HOLD

FM MODE  
TUNING+/-  
PRESET+/-  
ENTER  
RADIO ON/BAND  
VOLUME  
HOLD

RADIO ON/BAND  
VOLUME  
RADIO OFF  
TUNING +/-

SET  
MENU

PRESET +/-  
RADIO ON/BAND  
ENTER

TUNING +/-  
PRESET +/-  
RADIO ON/BAND  
ENTER

RADIO ON/BAND  
ENTER

BL SKIP MODE INNR SOUND AVLS MODE  
FWD  
MENU BATT SET  
MENU

HOLD indicator  
HOLD  
HOLD  
RADIO OFF  
VOL

## Free Manuals Download Website

<http://myh66.com>

<http://usermanuals.us>

<http://www.somanuals.com>

<http://www.4manuals.cc>

<http://www.manual-lib.com>

<http://www.404manual.com>

<http://www.luxmanual.com>

<http://aubethermostatmanual.com>

Golf course search by state

<http://golfingnear.com>

Email search by domain

<http://emailbydomain.com>

Auto manuals search

<http://auto.somanuals.com>

TV manuals search

<http://tv.somanuals.com>