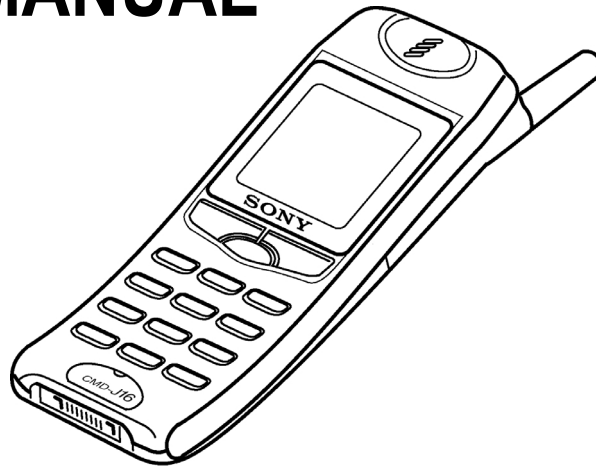


CMD-J5/J16

SERVICE MANUAL

Ver 1.2 2001.05

E Model



SPECIFICATIONS

Signalling format	Dual-Band
Frequency range	E-GSM 900 MHz, Transmit: 880 ~ 915 MHz Receive: 925 ~ 960 MHz DCS 1800 MHz, Transmit: 1710 ~ 1785 MHz Receive: 1805 ~ 1880 MHz
GSM power class	Class 4 (2W)
DCS power class	Class 1 (1W)
SIM chip	3V and 5V Pluggable mini SIM card
Display	High resolution full graphics display 4 Grey-scale type Resolution: 96 x 92 pixels 9 lines, proportional font
Channel spacing	200 kHz
Number of channels	E-GSM: 174 DCS : 374
Frequency stability	Transmit frequency drift (synchronized) < ± 0,1 p.p.m
RF output power	GSM: 2W DCS : 1W
Battery life	Standby : 30h -150h standard battery Talk time : 2h15 - 6h standard battery
Dimensions	123 mm x 42 mm x 15 mm
Weight	85 g
Volume	81 cm ³

**PORTABLE DIGITAL CELLULAR TELEPHONE
WITH ACCESSORIES**

SONY®

Power requirements	3.9 V (nominal)	
Operating temperature	-10°C to +55°C	
Accessories operating temperature	± 0°C to +45°C	
Connectors	External RF connector Bottom Connector (12-pin flat I/O connector) Mini plug head set jack	
Supplied accessories	AC Adapter	QN-3TC
	Battery (std.)	QN-J5BPS
	AC cable	
Optional accessories	Headset	QN-3HS
	Battery (std.)	QN-J5BPS

NOTE

This device contains electrostatically sensitive components. Damage can occur to these components if the appropriate handling is not adhered to.

ESD Handling precautions:

A working area in which Digital Cellular Telephones may be safely handled without undue risk of damage from electrostatic discharge must be available.

The area must be equipped as follows:

- All working surfaces must have a dissipative bench mat, safe for use with live equipment, connected via 1.2MΩ resistor to a common ground point.
- A quick release skin contact device with a flexible cord, which has a built-in safety resistor of a range between 5.2KΩ and 1.2MΩ shall be used. The flexible cord must be attached to a dissipative earth point.
- All containers and storage must be of the conductive type.

TABLE OF CONTENTS

SECTION 1

Specifications	(see Cover sheet)
----------------------	-------------------

SECTION 2

General Descriptions

2.1 Multi Band	04
2.2 Radio Frequency Power Levels	05
2.3 Speech Codec	05
2.4 Languages	05
2.5 Battery Charging	06
2.6 Battery Safety	06
2.7 Battery Capacity	06
2.8 Accessory Interface	07

SECTION 3

Operating Instructions

3.1 The Basic Features of the CMD-J16	08
3.2 Security Codes	09
3.3 Icon Glossary	10
3.4 Menu Overview	10

SECTION 4

Disassembling/Testing

4.1 Disassembly	11-12
4.2 Interface to GSM-Tester	13
4.3 Jigs and Tools.....	14

SECTION 5

Programming Instructions

5.1 Requirement	15
5.2 Hardware Set-up	15
5.3 Software Set-up	15
5.3.1 Download Software to Mobile	15-16
5.3.2 Save Personal Data in Mobile	16
5.3.3 Reset of Personal Data	16
5.3.4 Reset of Security Code Lock	16

SECTION 6

Diagrams

6.1 Block Diagram – Radio Frequency (RF)	17
6.1.1 General RF Indications	17
6.2 Block Diagram – Baseband	18
6.2.1 General Baseband Indications	18-19
6.3 Block Diagram – Audio	19
6.3.1 General Audio Indications	19

SECTION 7

Spare Parts and Accessories List	20
--	----

SECTION 2

GENERAL DESCRIPTIONS

2.1 Multi-band :

CMD-J16 support E-GSM 900 and DCS 1800 multi-band functionality.

For the use in Europe and in other countries worldwide, ETSI has specified GSM standards into two frequency bands. That is the 900-MHz and 1800-MHz band and is usually referred to as GSM900 and GSM1800 (formerly DCS1800).

While the 900-MHz band has 124 channels (extended version: 175), the 1800-MHz band with its 375 channels provides a three-times higher capacity. Not only as a result of this large range of channels but also due to the low transmission power and the transmission distance, GSM1800 supports a higher quantity of RF-channels.

The Dual band technology enables a network operator with spectrum at both 900MHz and 1800MHz to support the seamless use of dual band handsets across both frequencies. By supporting seamless handovers between 900MHz and 1800MHz, Dual band networks can provide major benefits in terms of capacity enhancement and revenue optimisation through the introduction of new services.

The CMD-J16 is a phase II, GSM 900 class 4, DCS 1800 class 1 mobile phone.

The nominal maximum output power for GSM 900 is 2W, for DCS 1800 1W.

It supports the extra functionality required for multi-band mobile stations: Inter-band/"seamless" hand-over, channel assignment, cell selection and re-selection, all between both bands within a **Public Land Mobile Network**. The manual and automatic PLMN selection in both bands is given.

The user does not need any special action to use the multi-band functionality of the phone.

Users are able to manually roam between PLMN's operating in GSM 900 and DCS 1800 bands.

E-GSM

With the further development of the GSM standard, an additional range of frequencies has been made available to the "Global system for mobile communications". For each of the two duplex frequency ranges, one for the forward direction and one for the reverse direction, additional 10 MHz have been added to the bottom end of the bands, extending the frequency range to 50 further channels.

The mobile station transmits in the 880- to 915 MHz range, and the base station transmits in the 925- to 960 MHz range. A duplex spacing of 45 MHz is used, the base station always transmits on the high side of the duplex frequency pair.

The numbering for these additional channels is from 974 to 1023. This is done to avoid assigning one channel number twice within the same standard.

Compared to the primary GSM system, Channel number 0 is used in the extended GSM system, since it does not make sense to reserve it at a guard band within the E-GSM bands. Now, the lowest channel, number 974 (880.0 MHz), serves as the guard band between GSM and other services on lower frequencies.

DCS 1800

DCS-1800 uses the frequency ranges of 1710 to 1785 MHz in the uplink direction, and 1805 to 1880 MHz in the downlink direction.

From these figures it follows that the duplex spacing is 95 MHz with 374 channels with bandwidths of 200 kHz each.

The channels are numbered from 512 to 885 in order to distinguish them from the channels in the primary and extended GSM frequency bands.

2.2 Radio Frequency Power Levels:

Between the DCS 1800 and both GSM Systems are differences regarding the power level. DCS 1800 basically needs lower power levels. If the performance of a MS for GSM system was certified of 2W (Power Class 4), then in the DCS-1800 system it is only 1W (Power Class 1). There are also reduced BTS power levels due to microcell applications, which means instead of the 40W (Power Class 4) in the GSM system DCS 1800 needs only 20W (Power Class 1).

Preferences	GSM 900	E-GSM	DCS 1800
Frequency band uplink: downlink:	MHz 890 - 915 935 - 960	MHz 880 - 915 925 - 960	MHz 1710 -1785 1805 - 1880
Radio Channels	124	174	374
max. BS-Power	40 W (46 dBm)		20W (43 dBm)
max. MS-Power	2 W (33 dBm)		1W (30 dBm)

2.3 Speech Codec

The CMD-J16 supports the following speech codecs.

- Full Rate (FR) Codec
- Half Rate (HR) Codec
- Enhanced Full Rate (EFR) Codec

The speech codec forms the human voice into a digital signal, which is sent in the GSM network.

The GSM system currently has three different speech codec standards.

At first, the Full Rate (FR) Codec was introduced. With new requirements concerning speech quality and availability of radio channel resources two further standards were introduced, the Half Rate (HR) Codec and the Enhanced Full Rate (EFR) Codec. The Half Rate (HR) Codec requires only half the channel capacity of a Full Rate (FR) Channel. The Enhanced Full Rate (EFR) Codec requires the same radio channel resources as a Full Rate (FR) Codec but offers Fixed Line quality with superior vocal clarity.

2.4 Languages

The CMD-J16 supports the following languages:

Taiwan:

• English	• Chinese Simplified	• Chinese Traditional (for Taiwan)
-----------	----------------------	---------------------------------------

Hong Kong:

• English	• Chinese Simplified	• Chinese Traditional
-----------	----------------------	-----------------------

The CMD-J5 supports the following languages:

• Bulgarian	• German	• Romanian
• Croatian	• Greek	• Russian
• Czech	• Hungarian	• Slovak
• Danish	• Italian	• Slovene
• Dutch	• Norwegian	• Spanish
• English	• Polish	• Swedish
• Finnish	• Portuguese	• Turkish
• French		

2.5 Battery Charging

There is no charging circuitry in the battery pack. The CMD-J5/J16 has complete charger function internally.

The telephone can be charged only with the battery connected the phone. This situation can be sub-divided into two situations: the phone is on or off. It can be charged with the AC Adapter, Travel Charger or Cigar Lighter Charger.

The battery symbol is used to indicate the charging, and to indicate when the battery is fully charged. This is done using the following sequence of icons:



The uncharged segments of the battery are moving in a right to left manner until the charging stops. The sequences for each charging level is repeated until the battery is charged to that level.

When the charging sequence is finished the flashing of the battery level sign stops. The phone shows the full-battery icon.

2.6 Battery Safety

The battery pack contains a single Li-ion cell, a safety circuitry and, in addition, a microprocessor unit which manages RTC information by reading out the binary counter value in the microprocessor. The charging circuitry and the safety circuitry together guarantee a double fail-safe battery pack. This means that each component can be either short or open and still all the safety requirements will not be violated.

The safety concept protects against:

Over voltage: The charging is stopped when Battery Voltage (Vbat) reaches 4.25V- 4.3V. The charging resumes when Vbat falls below (4.025V - 4.125V).

Under voltage: When the cell voltage drops below 2.242V – 2.358V the cell is disconnected for discharging. Charging is still possible.

Current fuse: Finally, if all protection functions are out of order due to abnormal condition, the current fuse protects the device from explosion and fire with melting. The fuse melts 10A during 1 second.

2.7 Battery Capacity:

Standard Battery 640mAh typical Li-ion QN-J5BPS
Extended Battery 920mAh typical Li-ion QN-J5BPE

The phone can be charged even during making phone calls. However, the shortest charging time will be reached when the phone is switched off.

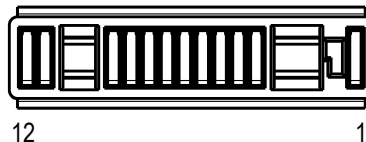
2.8 Accessory Interface

The table explains what kind of pins the phone supplies to the different accessories.

Pins	GND 1	Charge 2	GEN I/O 3	Power OUT 4	RX (IN) 5	TX (OUT) 6	ACC ID 7	RS232 RTS 8	RS232 CTS 9	Audio Out 10	Audio IN 11	AGND 12
Charger	√	√										

Connector layout

Connector view from base of phone



The connector comprises the following pins:

Audio

Audio In, Audio Out and Audio GND:

Audio IN:

Is a single ended input with a maximum sensitivity of 365 mVrms.

Audio OUT:

The single ended output delivers 0.8Vpp into a 1kΩ load.

These two signals are referred to as AGND.

RS232 Interface

5-pin interface: RX, TX, RTS(RFR), CTS and Gen I/O(DTR or DCD):

This is the communication interface to the Data cable “QN-3RS/USB”.

Pin 3 is connected to a general IO pin on the baseband digital chip. The functionality can be assigned on an accessory by accessory basis to be input, output or interrupt.

Charge

The Charge pin represents the positive contact for the charging functionality.

GND

The Ground pin represents the digital interface and charger return current.

ID

This pin shows the presence of an accessory and is also an analog ID for the accessory. Accessories which provide charger functionality only do not support this pin and their presence is detected with a valid charger voltage.

Power Out

Power-out has a different functionality with different accessories.

In the car-kit environment the ext. Vbat indicates that a phone call is accepted/in progress. This information is used by the car-kit to power up the audio section of the car-kit, mute the car stereo and keep the car-kit powered up even when the ignition is switched off.

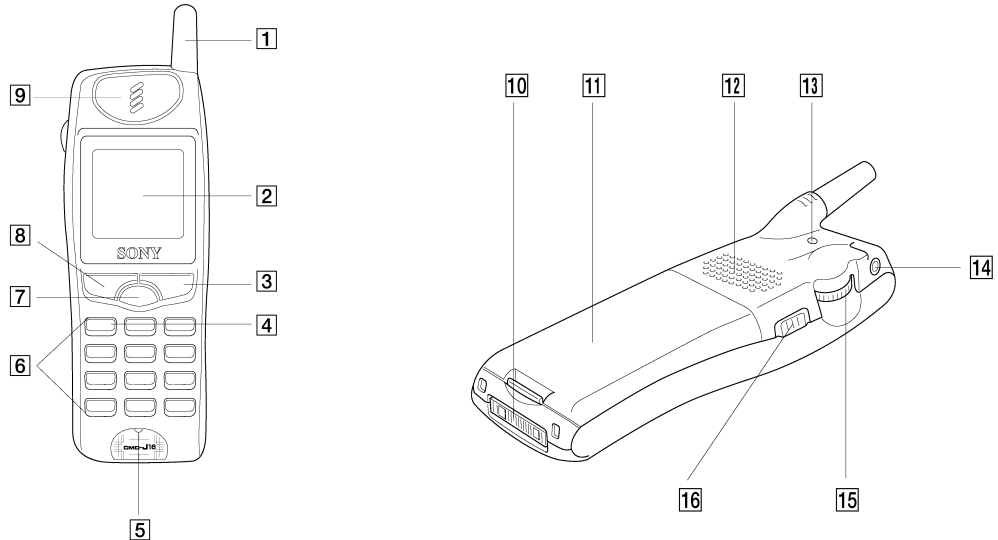
Due to the fact that the ID of the accessory is detected first, the ACC power is not current limited (protected).

SECTION 3 OPERATING INSTRUCTIONS

3.1 The Basic Features of the CMD-J5/J16

• Parts and Controls

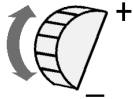

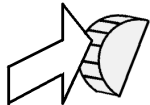
This section provides a brief guide to the operation and facilities available on the CMD-J5/J16. Refer to the Operating Manual for full operational information.



- | | |
|--|--|
| <p>1 Antenna</p> <p>2 Display</p> <p>3 On/Off Key, Call End Key, Clear Key</p> <p>4 Voice Mail Key</p> <p>5 Microphone</p> <p>6 Keypad (alphanumeric keys)</p> <p>7 Centre Key</p> <p>8 Send Key</p> <p>9 Ear piece</p> | <p>10 External connector (Charging and Accessories)</p> <p>11 Battery</p> <p>12 Loudspeaker</p> <p>13 External Antenna Connector</p> <p>14 Headset Connector</p> <p>15 Jog Dial</p> <p>16 Side Switch</p> |
|--|--|

• The Jog Dial

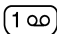
The Jog Dial provides fast and easy menu navigation with only one hand.

Operation Function	Function
Rotate 	Scrolls through menu options. Opens Phonebook in Standby Mode
Press (click) 	Opens Menu in Standby Mode. Selects an option (highlighted) in the display.
Press and Hold 	Dials the phone number selected.






- **The Centre Key**

- ❖ Press the Centre Key in standby mode to access the Main Menu.
- ❖ During a call, press the Centre Key to access the Call Menu.
- ❖ In Sub-menus, access/exit the help function by pressing the Centre Key

- **The Voicemail Key**

- ❖ Press and hold  to access your Voicemail

- **The Side Switch**

- ❖ In standby mode, slide the switch up to activate/deactivate the manner modes.
- ❖ Afterwards, it is possible to switch among the manner mode functions. All manner mode icons appear in the display; rotate the Jog Dial to select one:
 - Silent Mode  :turns the ringer and all tones to silent mode.
 - Ringer to Single beep  :ringer is restricted to a discrete single beep.
 - Vibra Alert  :Vibra Alert without the ringer.
- ❖ For your convenience, sliding the side switch up in standby mode will toggle between the two last settings.
- ❖ In standby mode, slide the switch down to lock/unlock your keypad (including Jog Dial). It is still possible to make emergency calls (112) as well as answer/reject an incoming call (by pressing  / ) when the keypad is locked.
- ❖ During a call, turn the loudspeaker on by sliding the switch up once. Turn the loudspeaker off by sliding the switch up again.
- ❖ During an incoming call, stop the ringer by sliding the side switch up.
- ❖ During a game, stop/start the background sound by sliding the side switch up.

3.2 Security Codes

CODE TYPE	NUMBER OF DIGITS	DESCRIPTION
PIN Personal Identification Number	4 to 8	Controls SIM security. Supplied by the Service Provider !
PIN 2	4 to 8	Controls memory security. Supplied by the Service Provider !
PIN / PIN 2 Personal Unblocking Key (PUK / PUK 2)	8	Used to unblock PIN and PIN 2. A PIN or PIN 2 will become blocked if the wrong PIN or PIN 2 is entered three times. When the blocked PIN or PIN 2 is unblocked, a new PIN or PIN 2 must be entered. If the wrong PUK or PUK 2 is entered 10 times, the SIM card will be unusable. Supplied by the Service Provider !
Bearing Password	4	Controls the call bar function. If the wrong password is entered three times, this service will be revoked. Supplied by the Service Provider !
Security Code	4 to 8	Controls the access to wap-and e-mail settings. The default Security Code is: 0000 Refer to Section 5 "Programming Instructions"

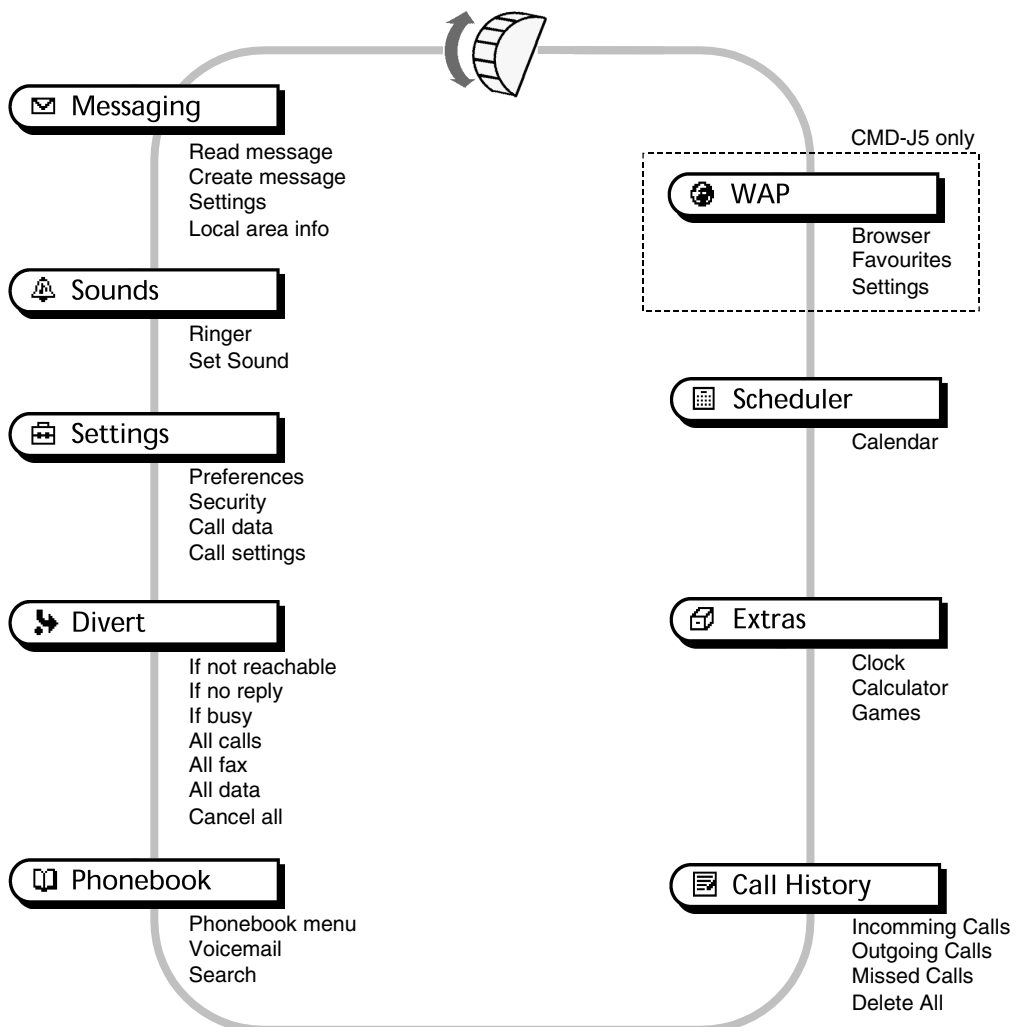
3.3 Icon Glossary

ICON	Explanation
	Network not available
	Network signal strength (strong)
	Battery strength
	SMS (Envelope Icon)
	Voicemail
	Keypad locked
	Alarm
	Silent Mode
	Vibra Alert
	Single Beep
	Ringer off
	Conversation Privacy (ciphering) not supported

ICON	Explanation
	Missed calls
	Incoming call barring
	Outgoing call barring
	Incoming + Outgoing call barring
	Conditional Divert
	Unconditional Divert
	Active call
	Call hold
	Mute Microphone
	Headset connected
	Handsfree Kit connected
	Loudspeaker on

3.4 Menu Overview

Press the Jog Dial from standby mode to access the Main menu:



SECTION 4 DISASSEMBLING / TESTING

4.1 Disassembly

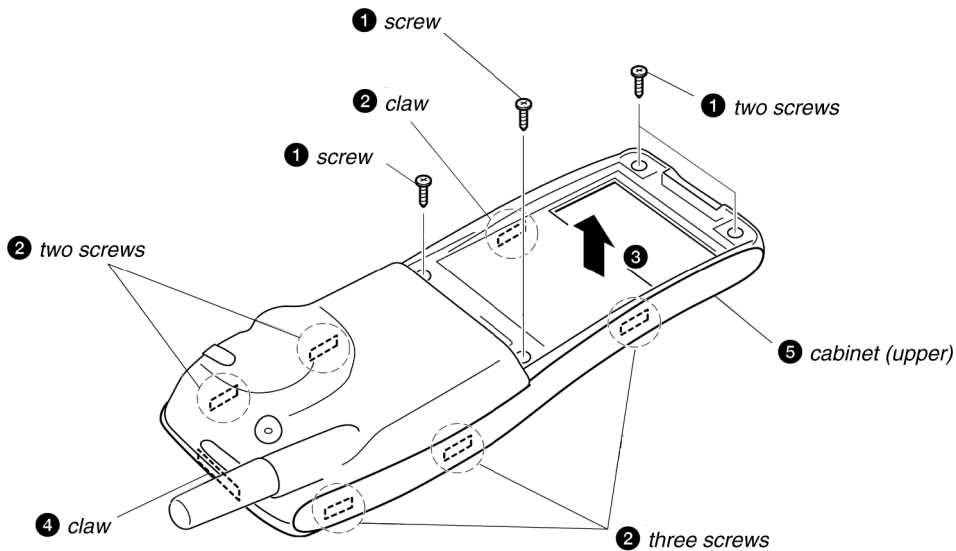
IMPORTANT NOTE :

The IMEI number is the electronic identification of the hardware, which is stored electronically. There should be no discrepancy between the number on the sticker and the number within the set memory allowed.

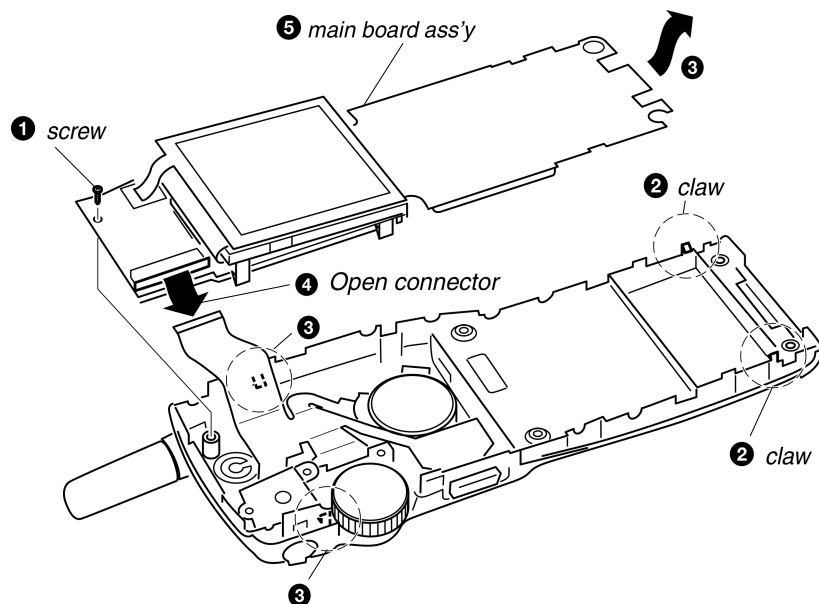
In case of replacing the lower cabinet it is to make sure that the IMEI Sticker mounted on the lower case (visible from the battery compartment) will be replaced to the new housing part as well.

Follow the disassembly procedure in the numerical order given.

CABINET UPPER

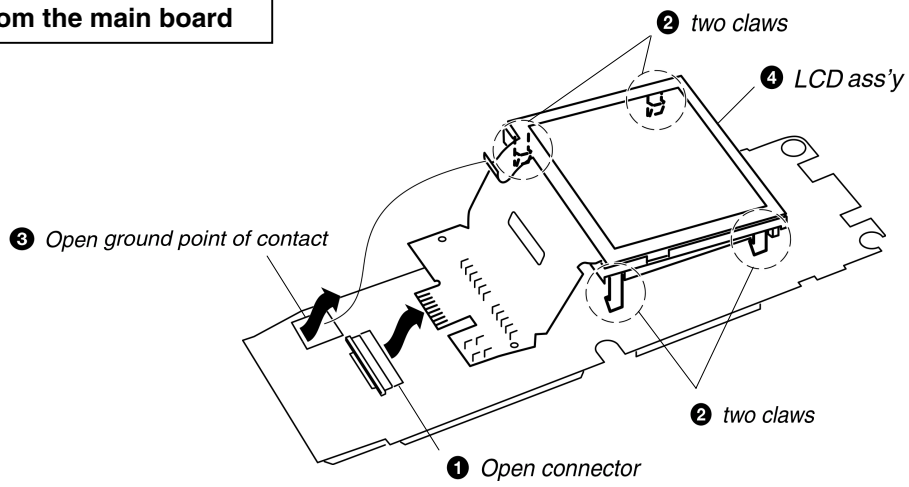


MAIN BOARD ASS'Y

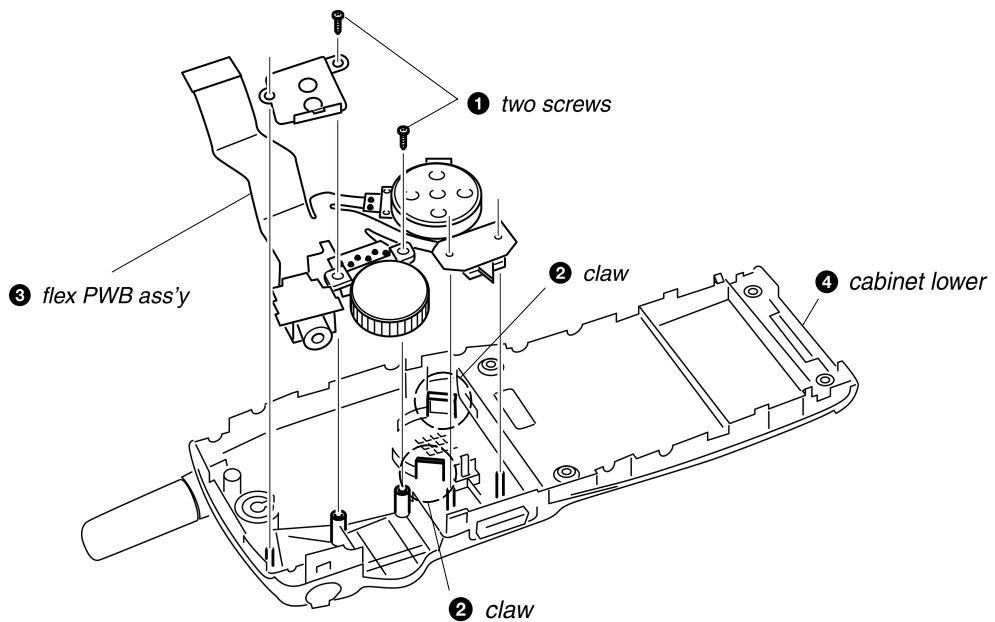


LCD

IMPORTANT:
Do not detach the shield case from the main board



CABINET LOWER

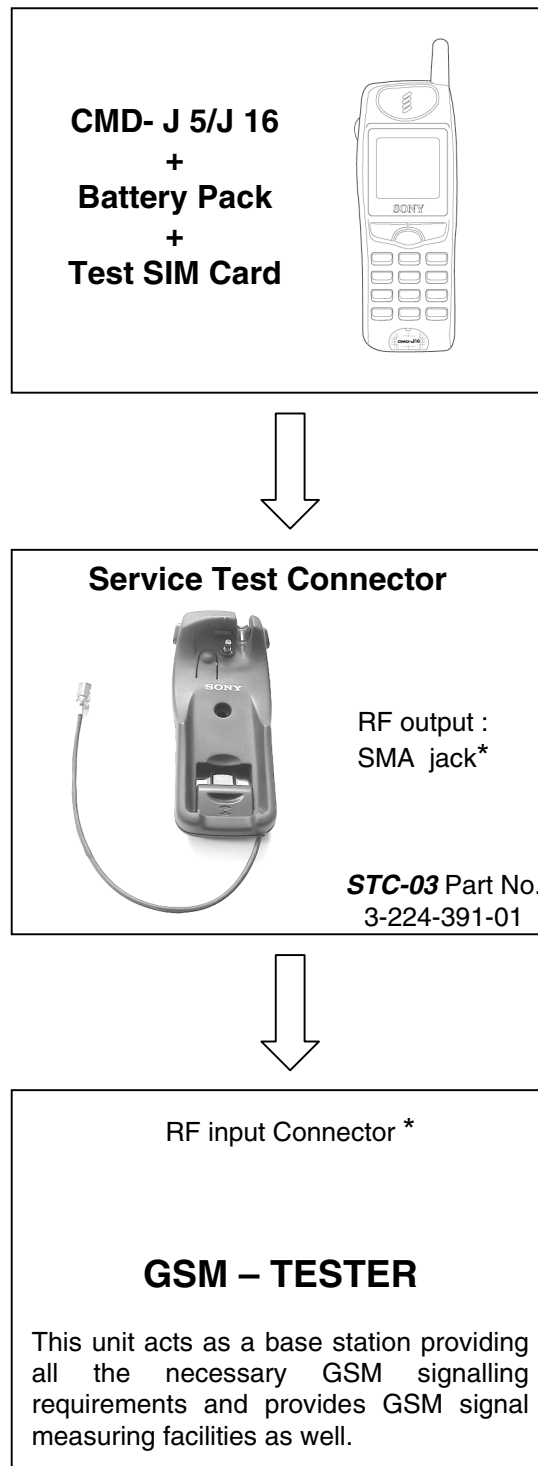


Re-assembly procedure :

To re-assemble the unit, apply the reverse order of the above mention disassembly procedure.

4.2 Interface to GSM-Tester

Test Set Up for CMD-J5/J16 Level 1 Testing



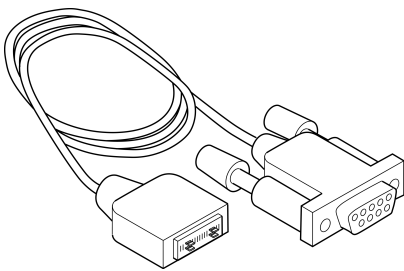
* Use special RF-Adapter for connection of **STC-03** to your GSM –Tester !

Level Test Procedure with GSM TESTER recommendation:

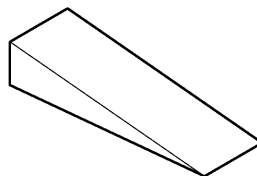
- Simulate GSM call processing – to check the functionality of transmitting and receiving audio signals of loudspeaker and microphone.
- Basic GSM transmission & reception parameter testing – to ensure that handset's performance compiles with standard GSM specification.

4.3 Jigs & Tools

Description	Part No	Remark
DATA TRANSFER CABLE <i>DTC-04</i>	1-757-348-11	Necessary For Software Update
HOOK RELEASE JIG	3-043-180-01	For Housing Opening
SERVICE TEST CONNECTOR <i>STC-03</i>	3-224-391-01	For Connection To GSM Measure Equipment



DATA TRANSFER CABLE



HOOK RELEASE JIG



SERVICE TEST CONNECTOR

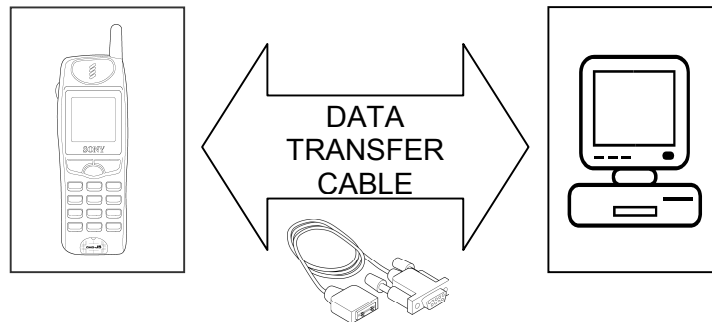
Section 5

PROGRAMMING INSTRUCTIONS

5.1 Requirement

- PC (486 type or higher) with Microsoft "Windows" Operating System
- One COM-port free for usage
- The Data Transfer Cable (p/n 1-757-348-11)

PREPARATION FOR SOFTWARE UPDATE



5.2 Hardware set-up

- Copy all the files to the PC (define own directory).
- Connect the Data Transfer Jig to the PC COM-port (COM 1 or COM 2) and the CMD-J5/J16 external connector.
- Attach battery pack to CMD-J5/J16; the CMD-J5/J16 is powered up from the battery pack.
- The initial settings of the flash.exe program may not correspond with the normally correct settings. It is highly advisable to check the settings first (see 5.3 Software set-up).

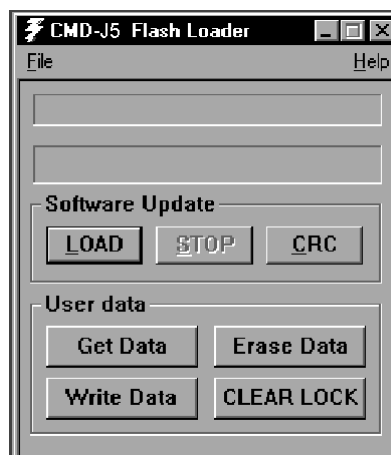
5.3 Software set-up

5.3.1 * *Download Software to Mobile (Software Update)*

- Start the program flash.exe by double-clicking on its icon in the Windows Explorer.



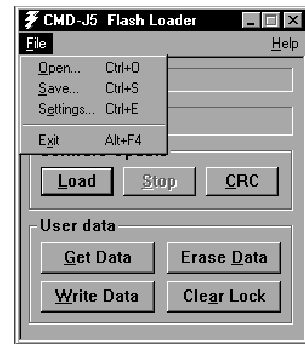
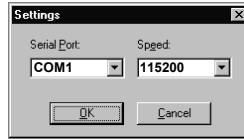
J5 Flash.exe



- Select “file”/”Settings...” and check if the settings for the “Com Port”and “Speed” are correct.

- The FlashLoader automatically detects all available Com ports on the PC. (COM 1 or COM 2)
- Baud rates up to 812500bps will be supported, but standard PCs, unless it is correctly customised (i.e. with a Fast Serial Board), will not support Baud rates > 115200bps.

- The default values are



- Click on the “Load” button and select an SRE file for downloading.
 - The CMD-J5/J16 software is located in the J5.SRE file.
 - Any other SRE file is either only needed for the program itself, or can be a personal data file.

Note: If a “flash.sre” file appears, please mind that this is application software (do not use / modify)

- Flash erase area is automatically calculated with the contents of the file.
- Switch on the CMD-J5/J16.
- Now the program runs automatically.

5.3.2 * **Save Personal Data in Mobile (Get Data / Write Data)**

The set-up and all requirements for this data transfer are the same as for the software update.

- Check if the settings for the “Com Port” and “Speed” are correct.
- Click on “Get Data”.
- Switch on the CMD-J5/J16.
- When the read data is downloaded either reload it in another mobile (reconnect a new mobile and click on “Write Data”) or save it on the disc using File/Save option.

5.3.3 * **Reset of Personal Data (Erase Data)**

The set-up and all requirements for this data transfer are the same as for the software update.

- Check if the settings for the “Com Port” and “Speed” are correct.
- Click on “Erase Data”.
- Switch on the CMD-J5/J16.
- All individual settings (such as Phonebook entries and WAP settings etc.) will be deleted.

5.3.4 * **Reset of Security Code Lock (Clear Lock)**

The set-up and all requirements for this data transfer are the same as for the software update.

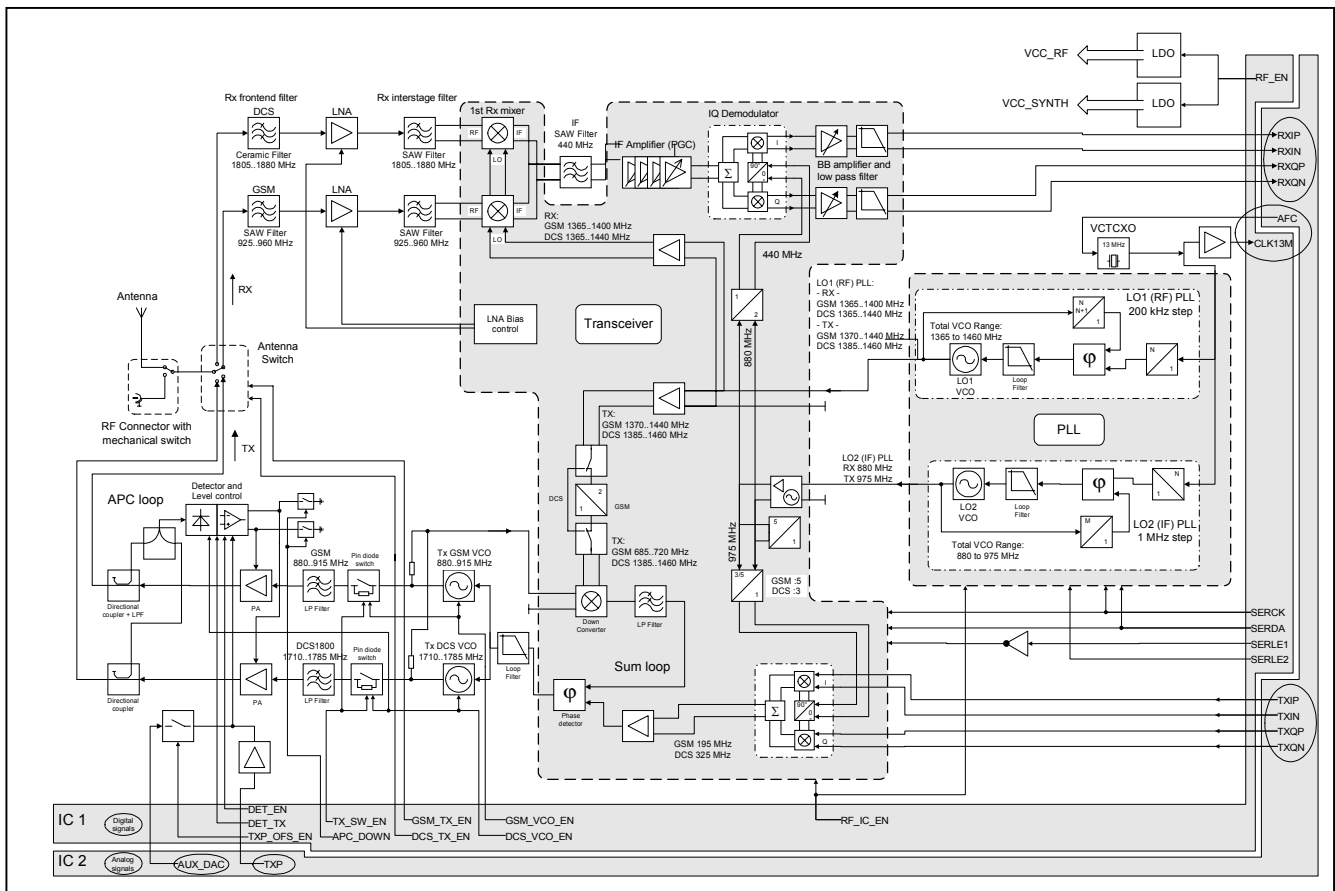
- Check if the settings for the “Com Port” and “Speed” are correct.
- Click on “Clear Lock”.
- Switch on the CMD-J5/J16.
- The individual Security Code will be reset to the default setting: 0000 !

For any of the above stated functions, follow the instructions written in the status bar (the first one from the top).

Follow up the progress of the up/download process by checking the Progress bar (the second one from the top).

SECTION 6 DIAGRAMS

6.1 Block Diagram - Radio Frequency (RF)



6.1.1 General RF Indications

The radio part of the CMD-J5/J16 handles the air interface according to the GSM specifications. It is the main contributor for the dualband functionality for E-GSM 900 and DCS 1800.

Receiver

The receiver consists of two separated RF paths for GSM and DCS 1800 each.

On the transmission line between the antenna switch of the RF part and the antenna there is the RF connector including a mechanical switch to connect an external antenna for accessory use. The integrated mechanical switch switches between the helix antenna and the external RF antenna connection. As long as a plug is connected the antenna is deactivated and all RF signals go across the connector.

The GMSK (Gaussian-filtered minimum shift keying) modulated 900 MHz / 1800 MHz signal received by the antenna is filtered, gained and downconverted into the baseband via an intermediate frequency of 440 MHz.

The 440 MHz filter is followed by a tuneable amplifier and IQ demodulator. Behind the demodulator there are additional base band amplifiers and low pass filters.

The In Phase (I) and Quadrature (Q) signal outputs are balanced each.

A 13 MHz voltage-controlled-temperature-compensated crystal oscillator (VCTCXO) generates the clock frequency for the PLL and baseband part.

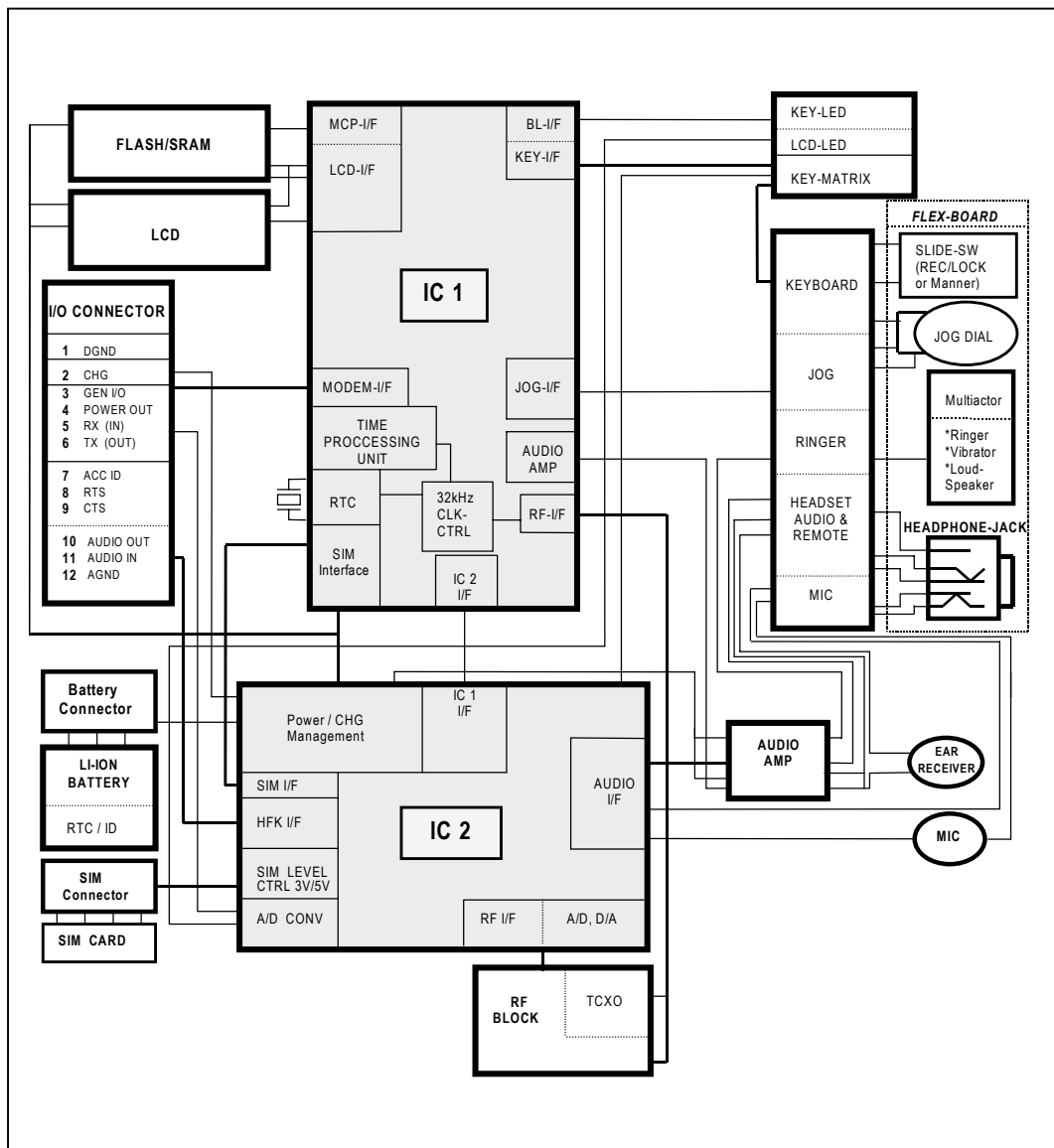
Transmitter

In the transmit direction the digitally GMSK-modulated baseband signal is upconverted to the transmit frequency in the 900 MHz / 1800 MHz band via an intermediate frequency of 195 MHz (GSM) / 325 MHz (DCS 1800) by means of an IQ modulator and the subsequent sum loop.

All RF and IQ signals are balanced signals in order to suppress crosstalk effects. According to GSM recommendations transmitter and receiver are never active at the same time.

(TDMA system "Time Division Multiple Access").

6.2 Block Diagram - Baseband



6.2.1 General Baseband Indications

The Baseband part consists of two chips, a digital chip IC 1 and an analog one IC 2. The CMD-J5/J16 external memory size is 32 Mbits Flash ROM and 4 Mbit SRAM.

IC 1

The application of IC 1 is the management of the GSM baseband processes through the GSM layer 1, 2 and 3 protocols as described in the ETSI standard with a specific attention to the power consumption in both GSM dedicated and idle modes.

It is a chip that implements:

- the digital baseband processes of the CMD-J5/J16 and combines a Digital Signal Processing (DSP) with its program and data memories,
- a Micro-Controller core with emulation facilities and an internal RAM memory,
- a clock squarer cell,
- several compiled ports and equivalent CMOS gates.

Full support for Full-Rate, Enhanced Full-Rate and Half-Rate speech coding is given.

IC 2

IC 2 is the platform of the A/D-D/A converter for the interfacing and processing of baseband I/Q signals and voice signals.

It includes:

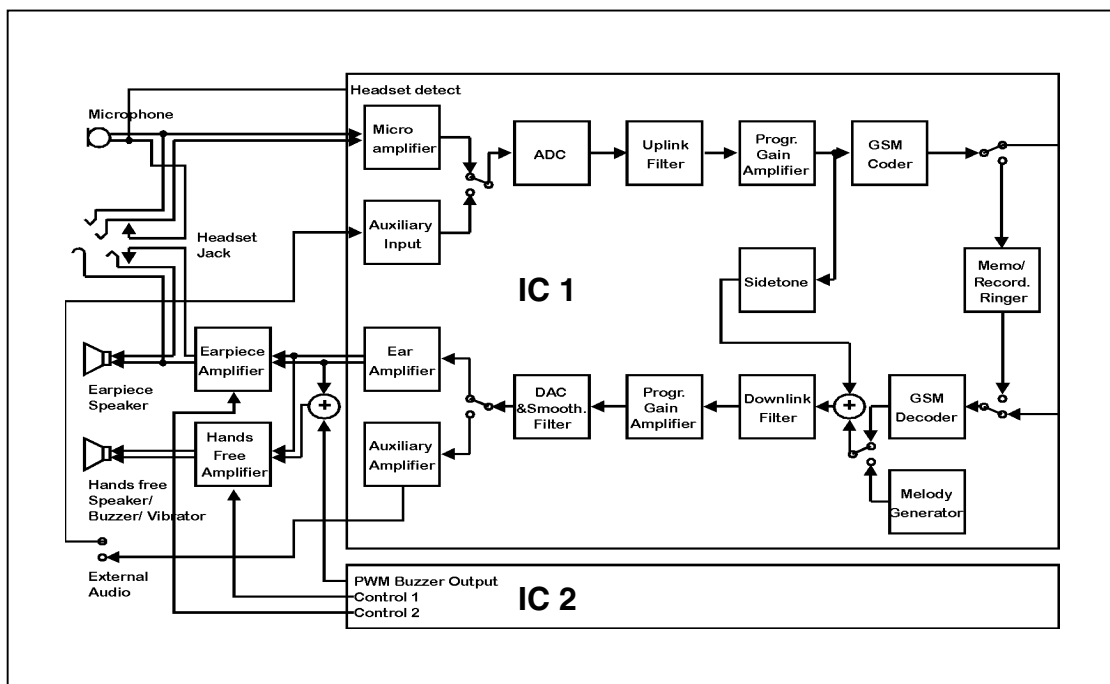
- the complete set of baseband functions to perform the interface and processing of voice signals,
- interface for processing of baseband components as In Phase (I) and Quadrature (Q) signals which support single slot and multi slot mode,
- associated auxiliary RF control features,
- supply voltage regulation,
- battery charging control and
- switch ON/OFF system analysis.

Further, IC 2 includes also on chip voltage reference, under voltage detection and power -on reset circuits.

IC 2 interfaces with the digital baseband device through a set of digital interfaces dedicated to the main functions of IC 1:

1. A baseband serial port (BSP) and a voiceband serial port (VSP) to communicate with the DSP.
2. A micro- controller serial port (USP) to communicate with the micro controller core of IC 1.
3. A time serial port (TSP) to communicate with the processing unit for real time control.

6.3 Block Diagram - Audio



6.3.1 General Audio Indications

Multiactor (Loudspeaker /Ringer Vibrator)

This device is a combined electrodynamic vibration exciter with an additional membrane to improve frequency response and enhance ringer level.

The system is tuned to the vibration frequency around 130 Hz.

Headset Connector (Headphone Jack)

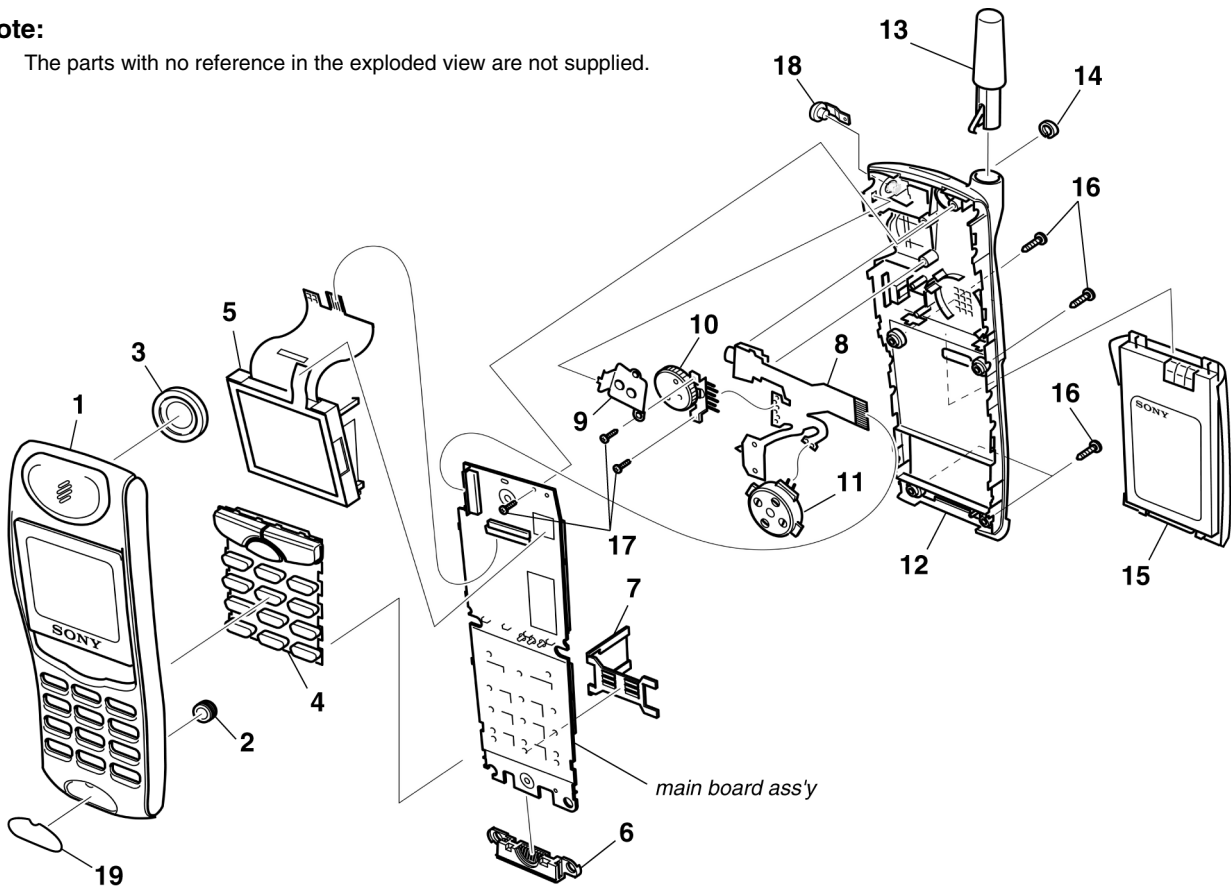
The headset is connected directly to the circuit to the built in microphone and earpiece. The connector is a 4-pole jack with 2 switches.

SECTION 7

SPARE PARTS AND ACCESSORIES LIST

Note:

- The parts with no reference in the exploded view are not supplied.



Ref. No.	Part No.	Description	Remark	Ref. No.	Part No.	Description	Remark
1	A-3649-251-A	CABINET, UPPER SUB-ASSY (HONG KONG)		ACCESSORIES & PACKING MATERIALS *****			
1	A-3649-263-A	CABINET, UPPER SUB-ASSY (MALAYSIA)		1-476-203-11	AC ADAPTOR EU	QN-3AC1 (MALAYSIA)	
1	A-3649-313-A	CABINET, UPPER SUB-ASSY (TAIWAN)		1-476-204-11	AC ADAPTOR UK	QN-3AC2 (HONG KONG)	
2	1-542-441-21	MICROPHONE		1-476-206-12	AC ADAPTER (CABLE)	QN-3TC (TAIWAN)	
3	A-3649-063-A	RECEIVER ASSY		1-757-783-11	AC POWER-SUPPLY CORD SET (TAIWAN)		
4	3-045-009-01	RUBBER KEY		3-221-976-21	MANUAL, INSTRUCTION (CHINESE, TRADITIONAL)	(HONG KONG)	
5	A-3622-451-A	LCD ASSY		3-221-976-81	MANUAL, INSTRUCTION (TAIWANESE)	(TAIWAN)	
6	1-794-665-11	CONNECTOR HOUSING		3-221-976-91	MANUAL, INSTRUCTION (ENGLISH)	(MALAYSIA)	
7	1-793-605-22	SIM CONNECTOR		3-227-528-21	GAMES LEAFLET	(MALAYSIA)	
8	A-3622-453-A	FLEX MOUNT		3-227-791-21	GAMES LEAFLET (HONG KONG, TAIWAN)		
9	3-225-215-01	PLATE, JACK		3-232-948-01	LIST, CHARACTER CORRESPOND	(TAIWAN)	
10	1-418-426-21	ROTARY ENCODER					
11	1-529-799-21	MULTIACTOR					
12	A-3649-053-B	CABINET, LOWER SUB-ASSY					
13	1-754-151-21	HELICAL ANTENNA					
14	3-225-211-01	CAP, RF					
15	1-756-116-21	BATTERY PACK, 640					
16	3-929-548-01	SCREW (1.7x6), +PTT					
17	3-224-788-01	SCREW (DIA1.4x4.5), PRECISION					
18	3-225-214-01	CAP, JACK					
19	3-225-210-01	BADGE, PRINTING (CMD-J5)					
19	3-225-210-21	BADGE, PRINTING (CMD-J16)					

Free Manuals Download Website

<http://myh66.com>

<http://usermanuals.us>

<http://www.somanuals.com>

<http://www.4manuals.cc>

<http://www.manual-lib.com>

<http://www.404manual.com>

<http://www.luxmanual.com>

<http://aubethermostatmanual.com>

Golf course search by state

<http://golfingnear.com>

Email search by domain

<http://emailbydomain.com>

Auto manuals search

<http://auto.somanuals.com>

TV manuals search

<http://tv.somanuals.com>