

# *CD Radio Cassette-Corder*

---

Operating Instructions page 2<sup>GB</sup>

GB

Manual de instrucciones página 2<sup>ES</sup>

ES

*CFD-E70L  
CFD-E75  
CFD-E75L  
CFD-E77L*

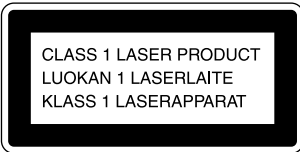
## Warning

To prevent fire or shock hazard, do not expose the player to rain or moisture.

To avoid electrical shock, do not open the cabinet. Refer servicing to qualified personnel only.

## Information

For customers in Europe



This Compact Disc player is classified as a CLASS 1 LASER product.

The CLASS 1 LASER PRODUCT label is located at the rear.



## Warning

Do not install the appliance in a confined space, such as a bookcase or built-in cabinet.

To prevent fire or shock hazard, do not place objects filled with liquids, such as vases, on the appliance.

## Notice for customers in the United Kingdom

A moulded plug complying with BS 1363 is fitted to this equipment for your safety and convenience.

Should the fuse in the plug supplied need to be replaced, same rating fuse approved by ASTA or BSI to BS 1362, (i.e. marked with  or  mark) must be used.

If the plug supplied with this equipment has a detachable fuse cover, be sure to attach the fuse cover after you change the fuse. Never use the plug without the fuse cover. If you should lose the fuse cover, please contact your nearest Sony service station.

## About this manual

The instructions in this manual are for the CFD-E70L, CFD-E75, CFD-E75L and CFD-E77L. Before you start reading, check your model number. The CFD-E75L is the model used for illustration purpose.

## Note

The name of the switch to turn on/off this player is indicated as below:

“OPERATE”: CFD-E70L/E75L/E77L

“POWER”: CFD-E75

# Table of contents

## Basic Operations

Playing a CD .....	4
Listening to the radio .....	6
Playing a tape .....	8
Recording on a tape .....	10

### The CD Player

Using the display .....	12
Locating a specific point in a track .....	12
Playing tracks repeatedly (Repeat Play) .....	13
Playing tracks in random order (Shuffle Play) .....	14
Creating your own programme (Programme Play) .....	15

### The Radio

Presetting radio stations .....	16
Playing preset radio stations .....	17

### The Audio Emphasis

Selecting the audio emphasis (MEGA BASS) .....	18
---	----

### The Timer

Setting the clock .....	19
Waking up to music .....	20
Falling asleep to music .....	21
Using the countdown timer .....	22

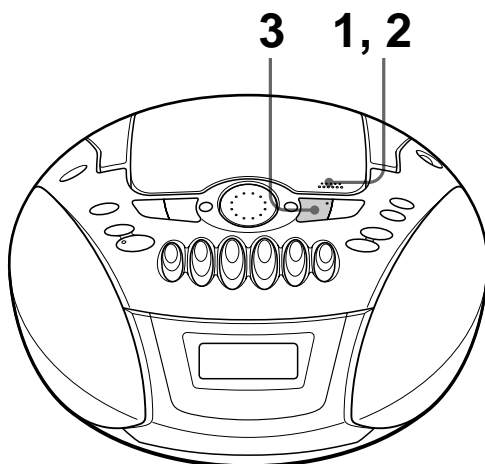
### Setting Up

Choosing the power sources .....	24
----------------------------------	----

### Additional Information

Precautions .....	26
Troubleshooting .....	27
Maintenance .....	30
Specifications .....	31
Index .....	32

# Playing a CD

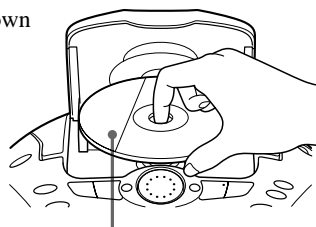


Connect the supplied mains lead (see page 24).

**1**

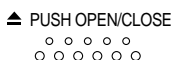


Press ▲PUSH OPEN/CLOSE down to open the CD compartment and place the CD on the CD compartment.

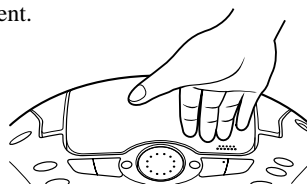


With the label side up

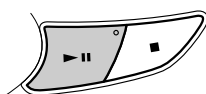
**2**



Close the lid of the CD compartment.



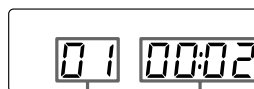
**3**



Press ►► (►► on the remote, CFD-E75/E75L/E77L only).

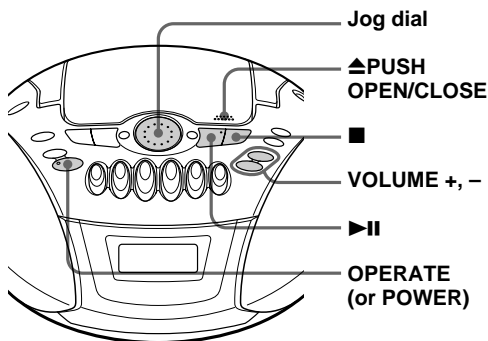
The player turns on (direct power-on) and plays all the tracks once.

**Display**



Track number    Playing time

Use these buttons for additional operations

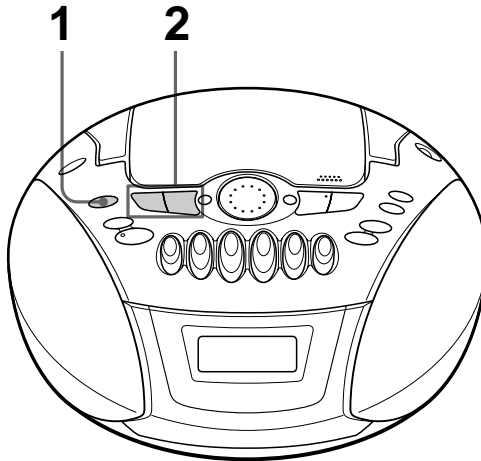


To	Do this
adjust the volume	Press VOLUME +, - (VOL +, - on the remote, CFD-E75/E75L/E77L only).
stop playback	Press ■.
pause playback	Press ▶   (   on the remote, CFD-E75/E75L/E77L only). Press the button again to resume play after pause.
go to the next track	Turn the jog dial clockwise. (On the remote, press ▶▶, CFD-E75/E75L/E77L only.)
go back to the previous track	Turn the jog dial counterclockwise. (On the remote, press ◀◀, CFD-E75/E75L/E77L only.)
remove the CD	Press ▲PUSH OPEN/CLOSE.
turn on/off the player	Press OPERATE (or POWER, see page 2).

### About CD-Rs/CD-RWs

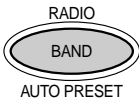
This player is compatible with CD-Rs/CD-RWs but playback capability may vary depending on the quality of the disc, the recording device and application software.

# Listening to the radio



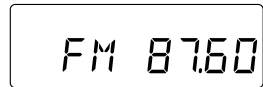
Connect the supplied mains lead (see page 24).

**1**



Press **RADIO BAND•AUTO PRESET** until the band you want appears in the display (direct power-on).

**Display**

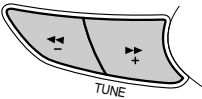


Each time you press the button, the band changes as follows:

CFD-E75: "FM" → "AM"

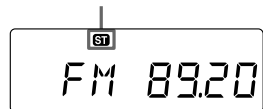
CFD-E70L/E75L/E77L: "FM" → "MW" → "LW"

**2**



Hold down **TUNE + or -** until the frequency digits begin to change in the display.

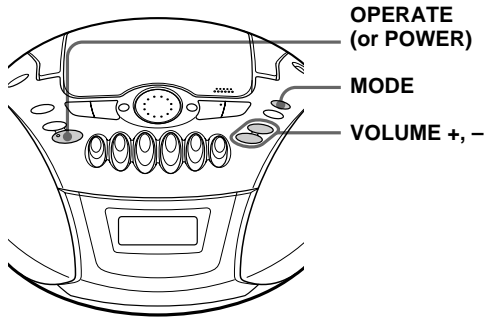
**Indicates an FM stereo broadcast**



The player automatically scans the radio frequencies and stops when it finds a clear station.

If you can't tune in a station, press the button repeatedly to change the frequency step by step.

Use these buttons for additional operations



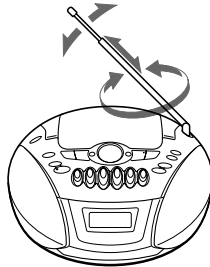
**Tips**

- If the FM broadcast is noisy, press MODE until “Mono” appears in the display and the radio will play in monaural.
- If you need to change the AM/MW tuning interval, see page 25.

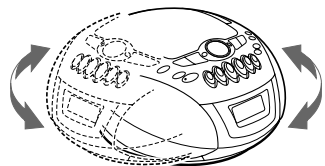
To	Press
adjust the volume	VOLUME +, - (VOL +, - on the remote, CFD-E75/ E75L/E77L only)
turn on/off the radio	OPERATE (or POWER, see page 2)

**To improve broadcast reception**

Reorient the aerial for FM. Reorient the player itself for AM or MW/LW.

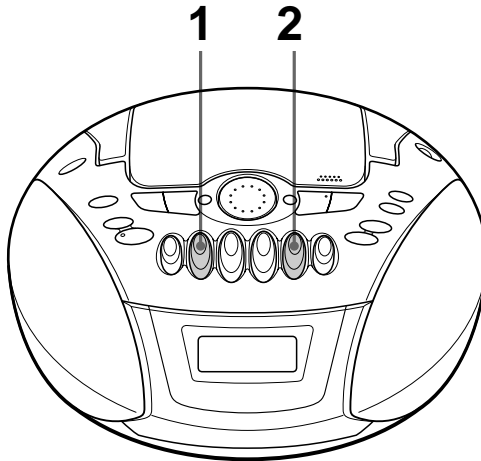


**for FM**



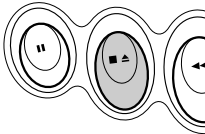
**for AM/MW/LW**


# Playing a tape



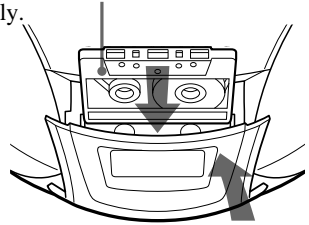
Connect the supplied mains lead (see page 24).

1

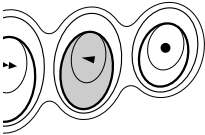



Press  to open the tape compartment and insert a recorded tape. Use TYPE I (normal) tape only. Close the compartment.

With the side you want to play facing you

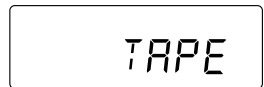


2



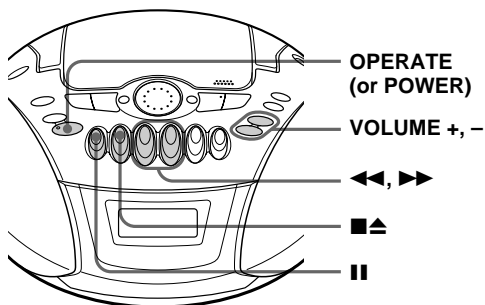
Press .  
The player turns on (direct power-on) and starts playing.

Display



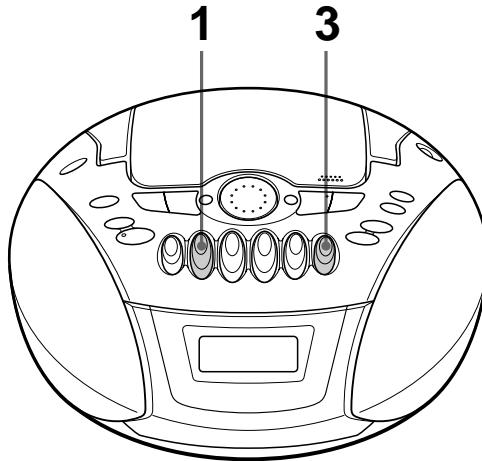


Use these buttons for additional operations



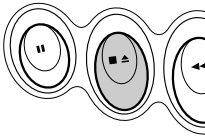
To	Press
adjust the volume	VOLUME +, - (VOL +, - on the remote, CFD-E75/E75L/E77L only)
stop playback	■▲
fast-forward or rewind the tape	◀▶ or ▶▶
pause playback	 Press the button again to resume play after pause.
eject the cassette	■▲
turn on/off the player	OPERATE (or POWER, see page 2)

# Recording on a tape



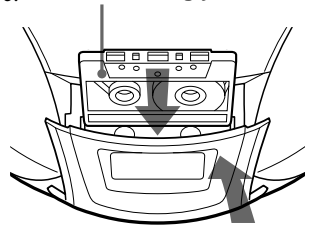
Connect the supplied mains lead (see page 24).

1

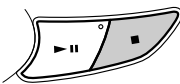


Press to open the tape compartment and insert a blank tape. Use TYPE I (normal) tape only.

With the side you want to record on facing you



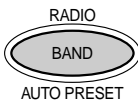
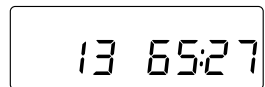
2



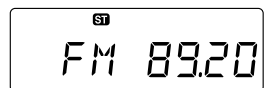
Select the programme source you want to record.

To record from the CD player, insert a CD (see page 4) and press on the CD section.

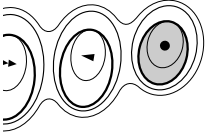
Display



To record from the radio, tune in the station you want (see page 6).

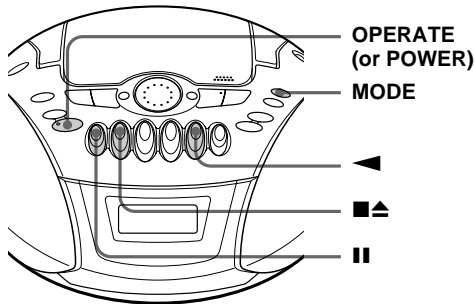


3



Press ● to start recording  
(◀ is depressed automatically).

Use these buttons for additional operations



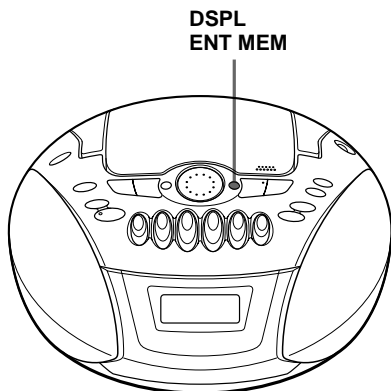
To	Press
stop recording	■▲
pause recording	 Press the button again to resume recording.
turn on/off the player	OPERATE (or POWER, see page 2)

#### Tips

- Adjusting the volume or the audio emphasis (see page 18) will not affect the recording level.
- If the AM/MW/LW programme makes a whistling sound after you've pressed ● in step 3, press MODE to select the position of ISS (Interference Suppress Switch) that most decreases the noise.
- For the best results, use the AC power as a power source.
- To erase a recording, proceed as follows:
  - 1 Insert the tape whose recording you want to erase.
  - 2 Press ||.
  - 3 Press ◀.
  - 4 Press ●.
  - 5 Press ||.

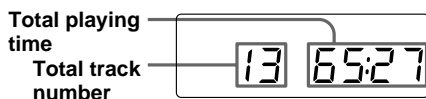
## Using the display

You can check information about the CD using the display.



### Checking the total track number and playing time

Press DSPL•ENT MEM in stop mode.



### Checking the remaining time

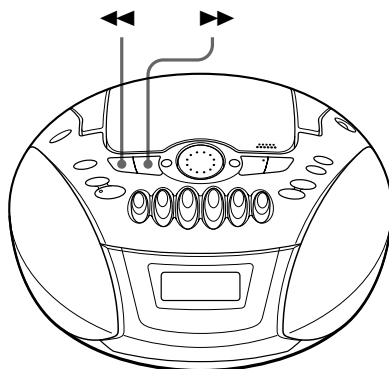
Press DSPL•ENT MEM while playing a CD.

To display	Press DSPL•ENT MEM
the current track number and remaining time on the current track*	once
the number of tracks left and remaining time on the CD	twice
the current track number and playing time	three times

\* For a track whose number is more than 20, the remaining time appears as “- -: -”.

## Locating a specific point in a track

You can quickly find a specific point in a track while playing a CD. You can also locate any track on a CD using the number buttons on the remote (CFD-E75/E75L/E77L only).



To locate	Press
a point while listening to the sound	▶▶ (forward) or ◀◀ (backward) while playing and hold down until you find the point. (On the remote, use ▶▶ or ◀◀, CFD-E75/E75L/E77L only.)
a point while observing the display	▶▶ (forward) or ◀◀ (backward) in pause and hold down until you find the point. (On the remote, use ▶▶ or ◀◀, CFD-E75/E75L/E77L only.)
a specific track directly (CFD-E75/E75L/E77L only)	the number button of the track.

**Note**

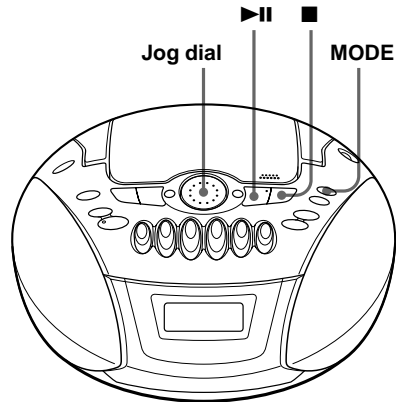
You cannot locate a specific track if "SHUF" or "PGM" is lit in the display. Turn off the indication by pressing ■ (CFD-E75/E75L/E77L only).

**Tip**

When you locate a track numbered over 10, press >10 first, then the corresponding number buttons. Example: To play track number 23, press >10 first, then 2 and 3 (CFD-E75/E75L/E77L only).

## Playing tracks repeatedly (Repeat Play)

You can play tracks repeatedly in normal, shuffle or programme play modes (see pages 14 - 15).



**1** Press ■.  
"Cd" appears in the display.

**2** Proceed as follows.

To repeat	Do this
a single track	1 Press MODE until "REPEAT 1" appears. 2 Turn the jog dial to select the track that you want to repeat. 3 Press ▶  .
all the tracks	1 Press MODE until "REPEAT ALL" appears. 2 Press ▶  .
tracks in random order	1 Press MODE until "SHUF REPEAT" appears. 2 Press ▶  .
programmed tracks	1 Press MODE until "PGM REPEAT" appears. 2 Programme tracks (see step 3 on page 15). 3 Press ▶  .

*continued*

## Playing tracks repeatedly (Repeat Play) (continued)

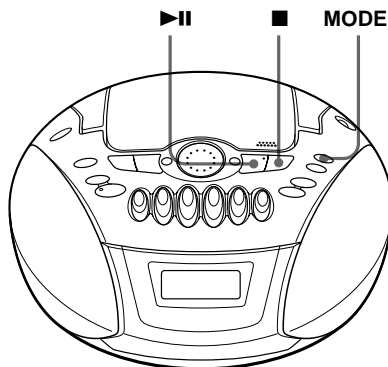
To cancel Repeat Play  
Press MODE until "REPEAT" disappears  
from the display.

On the remote (CFD-E75/E75L/E77L  
only)

- Use **▶** instead of **▶||**.
- When you've selected "REPEAT 1", select the track by pressing the number buttons.

## Playing tracks in random order (Shuffle Play)

You can play tracks in random order.



- 1** Press **■**.  
"Cd" appears in the display.
- 2** Press MODE until "SHUF" appears in the display.
- 3** Press **▶||** to start shuffle play.

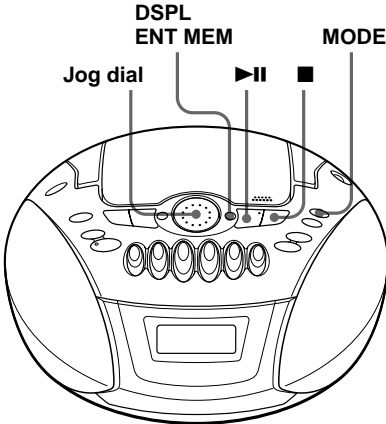
To cancel Shuffle Play  
Press MODE until "SHUF" disappears from  
the display.

On the remote (CFD-E75/E75L/E77L  
only)

Use **▶** instead of **▶||**.

## Creating your own programme (Programme Play)

You can arrange the playing order of up to 20 tracks on a CD.



On the remote (CFD-E75/E75L/E77L only)

- 1 Press ■.
- 2 Press MODE until "PGM" appears in the display.
- 3 Press the number buttons for the tracks you want to programme in the order you want.
- 4 Press ►.

To cancel Programme Play  
Press MODE until "PGM" disappears from the display.

To check the order of tracks before play

Press DSPL•ENT MEM.

Every time you press the button, the track number appears in the programmed order.

To change the current programme

Press ■ once if the CD is stopped and twice if the CD is playing. The current programme will be erased. Then create a new programme following the programming procedure.

Tips

- You can play the same programme again, since the programme is saved until you open the CD compartment.
- You can record your own programme. After you've created the programme, insert a blank tape and press ● to start recording.

- 1 Press ■.  
"Cd" appears in the display.
- 2 Press MODE until "PGM" appears in the display.
- 3 Turn the jog dial to select the track you want to programme, and press DSPL•ENT MEM.  
Repeat this step.



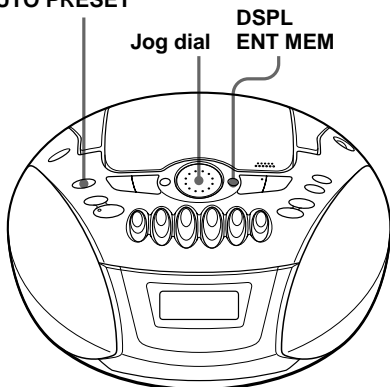
**Programmed track**    **Playing order**

- 4 Press ►|| to start programme play.

## Presetting radio stations

You can store radio stations into the player's memory. You can preset up to 30 radio stations (CFD-E75), 20 for FM and 10 for AM in any order or 40 radio stations (CFD-E70L/E75L/E77L), 20 for FM and 10 for MW and LW in any order.

### RADIO BAND AUTO PRESET



---

**1** Press RADIO BAND•AUTO PRESET to select the band.

---

**2** Hold down RADIO BAND•AUTO PRESET for 2 seconds until “AUTO” appears in the display.

---

**3** Press DSPL•ENT MEM.  
The stations are stored in memory from the lower frequencies to the higher ones.

---

If a station cannot be preset automatically

You need to preset a station with a weak signal manually.

**1** Press RADIO BAND•AUTO PRESET to select the band.

**2** Tune in a station you want.

**3** Hold down DSPL•ENT MEM for 2 seconds.

**4** Select the preset number you want to preset the new station on by turning the jog dial.

**5** Press DSPL•ENT MEM.

The new station replaces the old one.

On the remote (CFD-E75/E75L/E77L only)

**1** Press BAND until the band you want appears in the display.

**2** Press TUNE + or – until you tune in the station you want.

**3** Hold down the number button that you want to preset the new station on for 2 seconds.

To select the preset number over 10, press >10 first, then the corresponding number buttons.

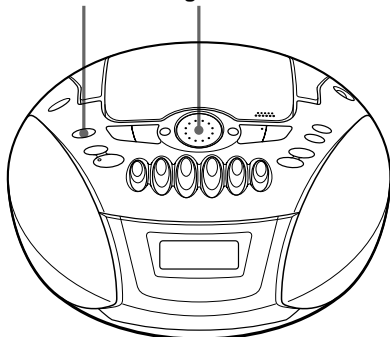
You need to hold down the last number button to enter for about 2 seconds. (Example: To select 12, press >10 and 1 first, then hold down 2 for about 2 seconds.)



## Playing preset radio stations

Once you've preset the stations, use the jog dial on the player or the number buttons on the remote to tune in to your favourite stations.

**RADIO BAND**  
**AUTO PRESET**    **Jog dial**



**1** Press **RADIO BAND•AUTO PRESET** to select the band.

**2** Turn the jog dial to tune in the stored station.

On the remote (CFD-E75/E75L/E77L only)

1 Press **BAND** until the band you want appears in the display.

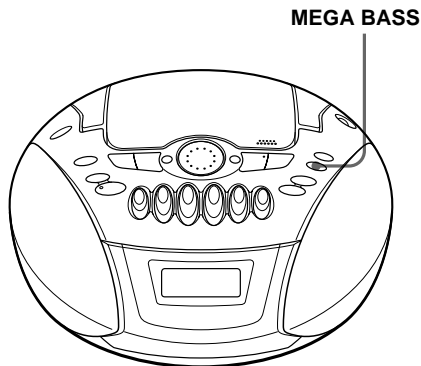
2 Press the number button to tune in a stored station.

To tune in a preset station over 10, press **>10** first, then the corresponding number buttons.

(Example: To tune in a preset station 12, press **>10** and **1** first, and then press **2**.)

### Selecting the audio emphasis (MEGA BASS)

You can adjust the audio emphasis of the sound you are listening to.



Reinforcing the bass sound

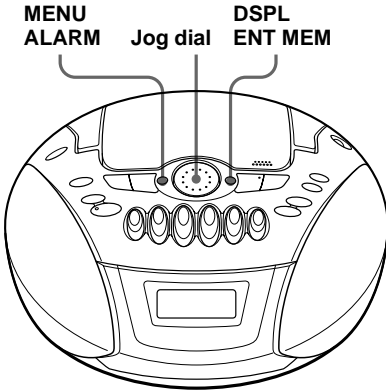
Press MEGA BASS.

“MEGA BASS” appears in the display.

To return to normal sound, press the button again.

# Setting the clock

“--:--” indication appears in the display until you set the clock.



- Press DSPL•ENT MEM.  
The clock starts from 00 seconds.

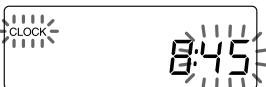
**Tip**  
The time display system:  
CFD-E75: 12-hour system  
CFD-E70L/E75L/E77L: 24-hour system

Before you set the clock, connect the power source (see page 24).

- Press MENU•ALARM until “CLOCK” appears in the display, then press DSPL•ENT MEM.  
The hour digit flashes.

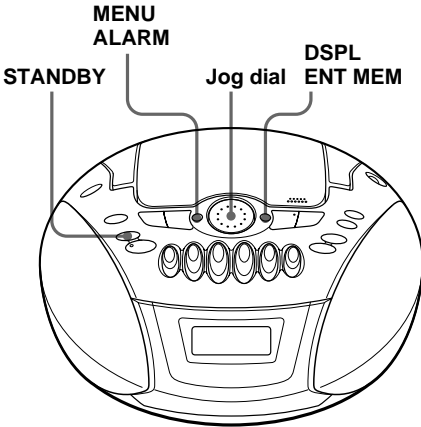


- Turn the jog dial to set the current hour. Then press DSPL•ENT MEM.  
The minute digits flash. Set the minutes by turning the jog dial until the correct minute is displayed.



# Waking up to music

You can wake up to music or a radio programme at a preset time. Make sure you have set the clock (“Setting the clock” on page 19).



Before you begin, make sure the ⌚ (clock) indication is not lit in the display. If it is lit, press STANDBY.

- 1 Prepare the music source you want to play.

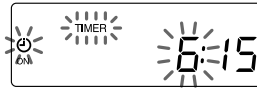
To play	Do this
the radio	Tune in a station.
a CD	Insert a CD.

- 2 Press MENU•ALARM until “TIMER” appears in the display, then press DSPL•ENT MEM.

The ⌚ (clock) and the music source (“Cd” or “RADIO”) flash.

- 3 Select the music source (“Cd” or “RADIO”) by turning the jog dial, then press DSPL•ENT MEM.

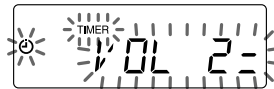
- 4 Set the timer to the hour you want the music to start by turning the jog dial, then press DSPL•ENT MEM.



Set the minutes, then press DSPL•ENT MEM.

- 5 Set the timer to the hour and the minutes you want the music to go off. (Do as step 4.)

- 6 Turn the jog dial to set the volume, then press DSPL•ENT MEM.



- 7 Press STANDBY.

The ⌚ indication lights up and the power goes off.

At the preset time, the power will go on, and the music will play. Then the power will go off at the preset time, and the player will enter into the standby mode.

To check/change when the playback will start

Press MENU•ALARM until “TIMER” appears in the display, then DSPL•ENT MEM. Each time you press DSPL•ENT MEM, a stored setting is displayed in the set order. To change the setting, display the setting you want to change and re-enter it.

To use the player before a timer playback starts

Just turn on the player, and then you can use it.

If you turn off the player before the preset time, timer playback will start at the preset time.

In case of the radio, however, if you listen to the station which is different from the one you tuned in step 1 on page 20, you will hear that station at the preset time. Make sure to tune in the station you want to listen to before you turn off the player.

### To stop play

Press OPERATE (or POWER) to turn off the power.

### Notes

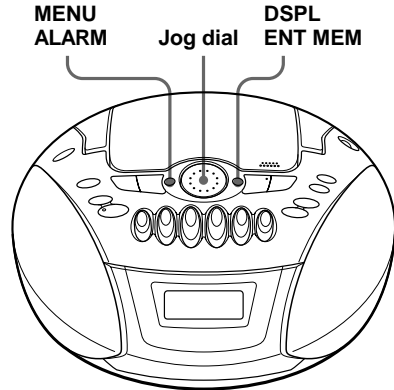
- When you press STANDBY in step 7, make sure that ◀ or ● button of the tape player is not pressed.
- When you press ◀ or ● button of the tape player in the timer mode:  
If the tape length of one side is longer than the set time, the player will be turned off at the end of the tape, not at the set time.

### Tips

- To exit the standby mode, press STANDBY to make ⏻ disappear from the display.
- The preset settings remain until you reset them.

## Falling asleep to music

You can set the player to turn off automatically after 10, 20, 30, 60, 90, and 120 minutes, allowing you to fall asleep while listening to music.



- 1 Play the music source you want.
- 2 Press MENU•ALARM until “SLEEP” appears in the display, and press DSPL•ENT MEM.
- 3 Turn the jog dial to select the minutes until the player goes off automatically. Each time you turn the jog dial, the indication changes as follows:  
“60” → “90” → “120” → “OFF” → “10” → “20” → “30.”



*continued*

## Falling asleep to music (continued)

To cancel the sleep function  
Press **OPERATE** (or **POWER**) to turn off  
the power.

### Note

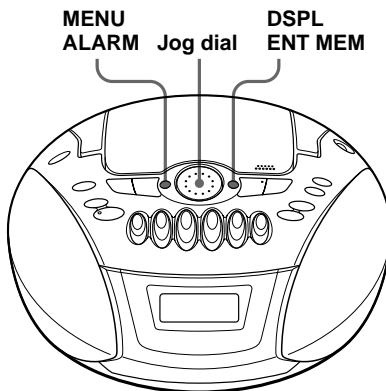
When you are playing a tape using this function:  
If the tape length of one side is longer than the set  
time, the player will not go off until the tape  
reaches the end.

### Tips

- You can fall asleep and wake up to different music. Set the waking up timer first (see page 20), turn on the power, and then set the sleeping timer. However, you cannot store different radio stations.
- You can set different volume for the waking up timer and the sleeping timer. For instance, you can sleep at lower volume and wake up at higher volume.

## Using the countdown timer

You can set the player to sound music or  
beep after a preset period of time, which is  
useful as a kitchen timer, etc.



- 1** Press **MENU•ALARM** for 2 seconds  
until “ALARM” appears in the display.
- 2** Turn the jog dial to display the time  
(OFF, 1 to 60 minutes) for the alarm  
and press **DSPL•ENT MEM**.



- 3** Turn the jog dial to select the volume of  
the sound and press **DSPL•ENT MEM**.

Display	Volume
LO	low
HI	high

- 
- 4** Turn the jog dial to select the sound for the alarm by and press DSPL•ENT MEM.

Display	Sound for alarm
bBEEP	beep
MUSIC	“La primavera (Spring)” from “Le Quattro Stagioni (The Four Seasons)” by Vivaldi

---

- 5** Press DSPL•ENT MEM to turn on the countdown timer.

The countdown timer starts to count down the time.

After the preset period of time, the alarm will sound for about 20 seconds.

---

To stop the alarm

Press MENU•ALARM.

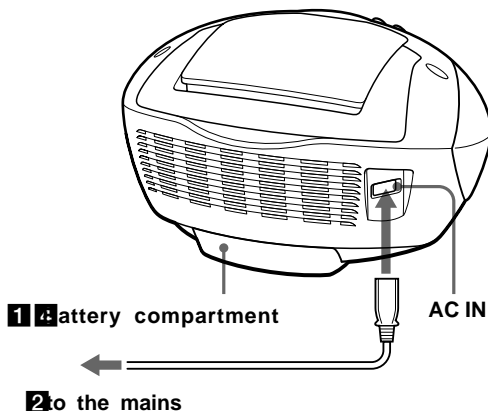
Tip

Because the settings are stored, you can turn on the countdown timer by pressing MENU•ALARM for about 2 seconds and then DSPL•ENT MEM.

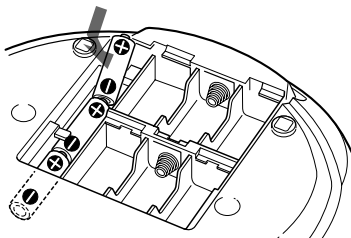
Be sure that “ALARM” appears in the display.

## Choosing the power sources

You can use the AC power or batteries as a power source.

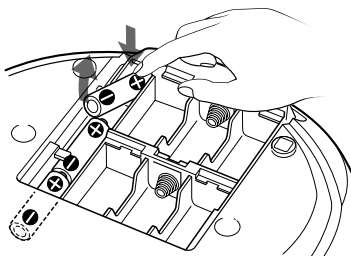


- 1** Inserting the back-up batteries  
Insert three R6 (size AA) batteries (not supplied) into the battery compartment. These batteries work to save the memory data.



### Replacing batteries

Take out the batteries as illustrated.



### Note

Before you replace the batteries, be sure to take out the CD from the player.

### Tip

When the mains lead is disconnected and the batteries for the player are not inserted (but the back-up batteries are inserted), the time display on the display window becomes dim to prevent battery exhaustion.

- 2** Connecting the mains lead

Insert one end of the supplied mains lead to the AC IN socket located at the rear of the player, and the other end to the mains.



## Changing the AM/MW tuning interval

The AM/MW tuning interval is preset as follows at the factory:

Argentine model: 10 kHz

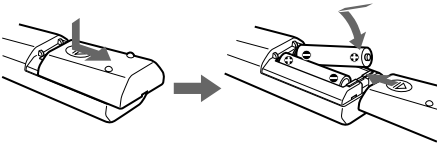
Other models: 9 kHz

If you need to change the AM/MW tuning interval, do the following:

- 1 Press **RADIO BAND•AUTO PRESET** until “AM” or “MW” is displayed.
- 2 Press **DSPL•ENT MEM** for 2 seconds.
- 3 Press **RADIO BAND•AUTO PRESET** for 2 seconds.  
“AM 9” “MW 9” or “AM 10” “MW 10” flashes.
- 4 Turn the jog dial to select “AM 9” “MW 9” for 9 kHz interval or “AM 10” “MW 10” for 10 kHz interval.
- 5 Press **DSPL•ENT MEM**.

After changing the tuning interval, you need to reset your preset AM/MW radio stations.

- 3 Inserting batteries into the remote (CFD-E75/E75L/E77L only)

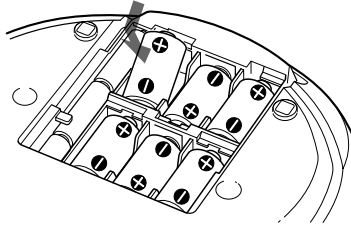


**Insert two R6 (size AA) batteries (not supplied)**

## Replacing batteries

With normal use, the batteries should last for about six months. When the remote no longer operates the player, replace all the batteries with new ones.

- 4 Using the player on batteries  
Insert six R14 (size C) batteries (not supplied) into the battery compartment.  
To use the player on batteries, disconnect the mains lead from the player.



## Replacing batteries

Replace the batteries when the OPR/BATT indicator dims or when the player stops operating. Replace all the batteries with new ones.

## Notes

- Before you replace the batteries, be sure to take out the CD from the player.
- When you operate the player on the batteries, you cannot turn on the player with remote.

## Tip

When you operate the player on batteries, replace the back-up batteries when the time display dims or when you cannot operate the timer. Replace all the batteries with new ones. With normal use, the back-up batteries should last for about six months. To save the memory data, replace the batteries with the mains lead connected.

## Precautions

### On safety

- As the laser beam used in the CD player section is harmful to the eyes, do not attempt to disassemble the casing. Refer servicing to qualified personnel only.
- Should any solid object or liquid fall into the player, unplug the player, and have it checked by qualified personnel before operating it any further.
- Discs with non-standard shapes (e.g., heart, square, star) cannot be played on this player. Attempting to do so may damage the player. Do not use such discs.

### On power sources

- For AC operation, check that the player's operating voltage is identical with your local power supply (see "Specifications") and use the supplied mains lead; do not use any other type.
- The player is not disconnected from the AC power source (mains) as long as it is connected to the wall outlet, even if the player itself has been turned off.
- For battery operation, use six R14 (size C) batteries.
- When the batteries are not to be used, remove them to avoid damage that can be caused by battery leakage or corrosion.
- The nameplate indicating operating voltage, power consumption, etc. is located at the bottom.

### On placement

- Do not leave the player in a location near heat sources, or in a place subject to direct sunlight, excessive dust or mechanical shock.
- Do not place the player on an inclined or unstable place.
- Do not place anything within 10 mm of the side of the cabinet. The ventilation holes must be unobstructed for the player to operate properly and prolong the life of its components.
- If the player is left in a car parked in the sun, be sure to choose a location in the car where the player will not be subjected to the direct rays of the sun.
- Since a strong magnet is used for the speakers, keep personal credit cards using magnetic coding or spring-wound watches away from the player to prevent possible damage from the magnet.

### On operation

- If the player is brought directly from a cold to a warm location, or is placed in a very damp room, moisture may condense on the lens inside the CD player section. Should this occur, the player will not operate properly. In this case, remove the CD and wait about an hour for the moisture to evaporate.
- If the player has not been used for a long time, set it in the playback mode to warm it up for a few minutes before inserting a cassette.

If you have any questions or problems concerning your player, please consult your nearest Sony dealer.

## Notes on CDs

- Before playing, clean the CD with a cleaning cloth. Wipe the CD from the center out.



- Do not use solvents such as benzene, thinner, commercially available cleaners or anti-static spray intended for vinyl LPs.
- Do not expose the CD to direct sunlight or heat sources such as hot air ducts, nor leave it in a car parked in direct sunlight as there can be a considerable rise in temperature inside the car.
- Do not stick paper or sticker on the CD, nor scratch the surface of the CD.
- After playing, store the CD in its case.

If there is a scratch, dirt or fingerprints on the CD, it may cause tracking error.

## Notes on cassettes

- Break off the cassette tab from side A or B to prevent accidental recording. If you want to reuse the tape for recording, cover the broken tab with adhesive tape.



Tab for side B

- The use of a cassette with more than 90 minutes of play time is not recommended except for long, continuous recording or playback.

# Troubleshooting

## General

### The power is not on.

- Connect the mains lead to the AC IN socket and a wall outlet securely.
- Make sure the batteries are inserted correctly.
- Replace all the batteries with new ones if they are weak.
- You cannot turn on the player with the remote when you operate the player on batteries (CFD-E75/E75L/E77L only).

### There is no audio.

- Unplug the headphones when listening through speakers.

### The power is turned off unexpectedly.

- Replace all the batteries with new ones.

### Unusual sound is heard.

### The sound is noisy, weak or has poor quality.

- Replace all the batteries with new ones if they are weak.

### Noise is heard.

- Someone is using a portable telephone or other equipment that emits radio waves near the player.
  - Move the portable telephone, etc., away from the player.

continued

## CD Player

### **“no diSC” lights in the display even when a CD is in place.**

- Place the CD with the label surface up.
- The CD-R/CD-RW was not finalized. Finalize the CD-R/CD-RW with the recording device.
- There is a problem with the quality of the CD-R/CD-RW, recording device, or application software.

### **The CD does not play.**

- Place the CD with the label surface up.
- Clean the CD.
- Take out the CD and leave the CD compartment open for about an hour to dry moisture condensation.

### **The sound drops out.**

#### **Noise is heard.**

- Reduce the volume.
- Clean the CD, or replace it if the CD is badly damaged.
- Place the player in a location free from vibration.
- The sound may drop out or noise may be heard when using poor quality CD-Rs/CD-RWs or if there is a problem with the recording device or application software.

### **You cannot open/close the lid of the CD compartment.**

- Place the player on a level surface and open/close the lid.

## Radio

### **The audio is weak or has poor quality.**

- Replace all the batteries with new ones if they are weak.
- Move the player away from the TV.
- If you are using the remote while listening to an AM (CFD-E75) or MW/LW (CFD-E70L/E75L/E77L) radio, noise may be heard. This is unavoidable.

### **The picture of your TV becomes unstable.**

- If you are listening to an FM programme near the TV with an indoor antenna, move the player away from the TV.

## Tape Player

### **The tape does not move when you press an operation button.**

- Close the tape compartment securely.

### **The REC ● button does not function.**

#### **The tape does not play.**

- Make sure the safety tab on the cassette is in place.

### **The tape does not erase completely.**

- Clean the erasing head (see page 30).
- Replace all the batteries with new ones if they are weak.
- The source which was recorded on TYPE II (high position) or TYPE IV (metal) tape using this unit is being played. Record on TYPE I (normal) tape and play.

### **The tape does not record.**

- Make sure the tape is inserted properly.
- Make sure the safety tab of the cassette is in place.

### **The audio is weak.**

#### **The audio quality is poor.**

- Clean the heads, pinch roller and capstan (see page 30).
- Demagnetize the heads using a demagnetizer (see page 30).

### **The sound is distorted.**

- The TYPE II (high position) or TYPE IV (metal) tape is being used. Use TYPE I (normal) tape only.

## Timer

---

### **The timer does not operate.**

- Make sure the time on the clock is correct.
  - Check to see if the AC power had been cut off.
  - Make sure the ⌚ (clock) indication is displayed.
- 

## Remote (CFD-E75/E75L/E77L only)

---

### **The remote does not function.**

- Replace all the batteries in the remote with new ones if they are weak.
  - Make sure that you are pointing the remote at the remote sensor on the player.
  - Remove any obstacles in the path of the remote and the player.
  - Make sure the remote sensor is not exposed to strong light such as direct sunlight or fluorescent lamp light.
  - Move closer to the player when using the remote.
- 

After trying the above remedies, if you still have problems, unplug the mains lead and remove all the batteries. After all the indications in the display disappear, plug the power cord and insert the batteries again. If the problem persists, please consult your nearest Sony dealer.

# Maintenance

## Cleaning the lens

If the lens becomes dirty, it may cause a skipping of sound during CD operation. Clean with a commercially available blower.

## Cleaning the tape heads and tape path

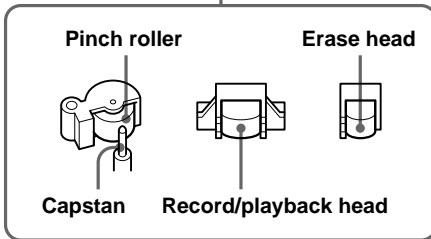
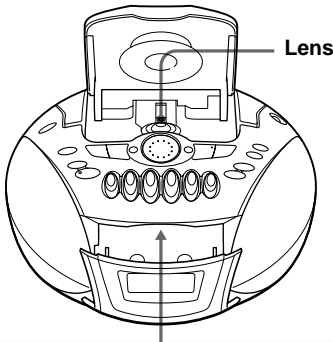
Wipe the heads, the pinch roller and the capstan with a cleaning swab slightly moistened with cleaning fluid or alcohol after every 10 hours of operation for optimum playback and recording quality. To make the best possible recording, however, we recommend that you clean all surfaces over which tape travels before each recording.

## Demagnetizing the tape heads

After 20 to 30 hours of use, enough residual magnetism will have built up on the tape heads to begin to cause loss of high frequency sound and hiss. At this time, you should demagnetize the heads and all metal parts in the tape path with a commercially available tape head demagnetizer.

## Cleaning the cabinet

Clean the cabinet, panel and controls with a soft cloth slightly moistened with a mild detergent solution. Do not use any type of abrasive pad, scouring powder, or solvent, such as alcohol or benzine.



After cleaning, insert a tape when the areas cleaned are completely dry.

# Specifications

## CD player section

### System

Compact disc digital audio system

### Laser diode properties

Material: GaAlAs

Wave length: 780 nm

Emission duration: Continuous

Laser output: Less than 44.6  $\mu$ W

(This output is the value measured at a distance of about 200 mm from the objective lens surface on the optical pick-up block with 7 mm aperture.)

### Spindle speed

200 r/min (rpm) to 500 r/min (rpm) (CLV)

### Number of channels

2

### Frequency response

20 - 20 000 Hz  $\pm 0/-1$  dB

### Wow and flutter

Below measurable limit

## Radio section

### Frequency range

---

#### CFD-E75

---

FM	Korean model	87.6 - 107 MHz
	Other models	87.5 - 108 MHz

---

AM	531 - 1 602 kHz (9 kHz step)
	530 - 1 610 kHz (10 kHz step)

---

#### CFD-E70L/E75L/E77L

---

FM	87.5 - 108 MHz
----	----------------

---

MW	531 - 1 602 kHz (9 kHz step)
	530 - 1 610 kHz (10 kHz step)

---

LW	153 - 279 kHz
----	---------------

---

### IF

FM: 10.7 MHz

AM/MW/LW: 450 kHz

### Aerials

FM: Telescopic aerial

AM/MW/LW: Built-in ferrite bar aerial

## Cassette-corder section

### Recording system

4-track 2 channel stereo

### Fast winding time

Approx. 120 sec. with Sony cassette C-60

### Frequency response

TYPE 1 (normal): 70 - 13 000 Hz

## General

### Speaker

Full range: 8 cm (3 1/4 in.) dia.,  
4  $\Omega$ , cone type (2)

### Outputs

Headphones jack (stereo minijack)

For 16 - 64  $\Omega$  impedance headphones

### Maximum power output

4 W

### Power requirements

For CD radio cassette-corder:

Argentine model: 220 - 230 V AC, 50 Hz

Korean model: 220 V AC, 60 Hz

Other models: 230 V AC, 50 Hz

9 V DC, 6 R14 (size C) batteries

For memory back-up:

4.5 V DC, 3 R6 (size AA) batteries

For remote control (CFD-E75/E75L/E77L only):

3 V DC, 2 R6 (size AA) batteries

### Power consumption

AC 14 W

### Battery life

For CD radio cassette-corder:

---

#### FM recording

---

Sony R14P: approx. 5 h

Sony alkaline LR14: approx. 20.5 h

---

#### Tape playback

---

Sony R14P: approx. 6 h

Sony alkaline LR14: approx. 27 h

---

#### CD playback

---

Sony R14P: approx. 1.5 h

Sony alkaline LR14: approx. 8 h

---

### Dimensions

Approx. 283  $\times$  165  $\times$  281 mm (w/h/d)  
(11 1/4  $\times$  6 1/2  $\times$  11 1/8 inches) (incl. projecting parts)

### Mass

Approx. 3.5 kg (7 lb. 11 oz) (incl. batteries)

### Supplied accessories

Mains lead (1)

Remote control (1) (CFD-E75/E75L/E77L only)

Design and specifications are subject to change without notice.

## Optional accessories

Sony MDR headphones series

---

# Index

## A

Alarm 22  
Audio emphasis 18

## B

Batteries  
    for memory 24  
    for player 25  
    for remote 25

## C

CD player 12  
Choosing power sources 24  
Cleaning  
    cabinet 30  
    tape heads and tape path 30  
Connecting mains lead 24  
Count down timer 22  
Creating your own programme 15

## D, E, F, G, H

Demagnetizing the tape heads 30  
Display 12

## I, J, K

Improving broadcast reception 7

## L

Listening to the radio 6  
Locating a specific track 12

## M, N, O

MEGA BASS 18

## P, Q

Playing  
    a CD 4  
    a tape 8  
    preset radio stations 17  
    tracks repeatedly 13  
Power sources 24  
Presetting radio stations 16  
Programme Play 15

## R

Radio stations  
    playing 17  
    presetting 16  
Recording on a tape 10  
Repeat Play 13

## S

Selecting  
    audio emphasis 18  
    tracks 5  
Setting the clock 19  
Setting up 24  
Shuffle Play 14

## T

Timer  
    Falling asleep to music 21  
    Waking up to music 20  
    Using the count down timer 22  
Troubleshooting 27

## U, V, W, X, Y, Z

Using the display 12





## ADVERTENCIA

Para evitar incendios o el riesgo de electrocución, no exponga el reproductor a la lluvia ni a la humedad.

Para evitar descargas eléctricas, no abra el sistema. En caso de avería, solicite sólo los servicios de personal especializado.

## Información

Para usuarios en Europa



Este reproductor de discos compactos está clasificado como producto láserico de clase 1. La etiqueta CLASS 1 LASER PRODUCT se encuentra en la parte posterior.

## ADVERTENCIA

No instale el aparato en un espacio cerrado, como una estantería para libros o un armario empotrado.

Para evitar el peligro de incendio o descarga eléctrica, no coloque objetos con líquido, como jarrones, sobre el aparato.

## Acerca de este manual

Las instrucciones de este manual hacen referencia a los modelos CFD-E70L, CFD-E75, CFD-E75L y CFD-E77L. Antes de comenzar a leerlas, compruebe el número de modelo. Se ha utilizado el modelo CFD-E75L para las ilustraciones.

## Nota

El nombre del interruptor para encender y apagar este reproductor se indica de la siguiente forma:

“OPERATE”: CFD-E70L/E75L/E77L

“POWER”: CFD-E75

# Índice

## Procedimientos básicos

Reproducción de un CD .....	4
Radiorecepción .....	6
Reproducción de cintas .....	8
Grabación en una cinta .....	10

## Reproductor de discos compactos (CD)

Utilización del visor .....	12
Localización de un punto específico en una pista .....	12
Reproducción repetida de las pistas (Reproducción repetida) .....	13
Reproducción de pistas en orden aleatorio (Reproducción aleatoria) .....	14
Creación de su propio programa (Reproducción programada) .....	15

## Radio

Memorización de emisoras de radiodifusión .....	16
Sintonía de emisoras almacenadas .....	17

## Énfasis de sonido

Selección del énfasis de audio (MEGA BASS) .....	18
---	----

## Temporizador

Ajuste del reloj .....	19
Activación automática de la unidad .....	20
Desactivación automática de la unidad .....	21
Uso del temporizador de cuenta atrás .....	22

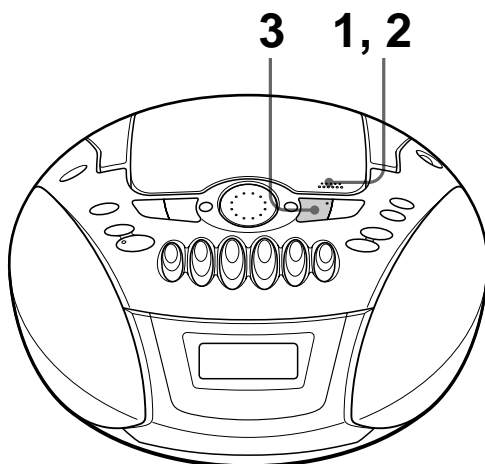
## Preparativos

Selección de la fuente de alimentación .....	24
--	----

## Información complementaria

Precauciones .....	26
Solución de problemas .....	27
Mantenimiento .....	30
Especificaciones .....	31
Índice alfabético .....	Cubierta posterior

# Reproducción de un CD



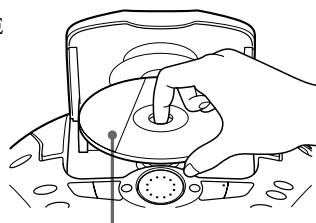
Conecte el cable de alimentación de CA suministrado (consulte la página 24).

**1**

▲ PUSH OPEN/CLOSE



Presione ▲PUSH OPEN/CLOSE para abrir el compartimento de discos y coloque el CD.



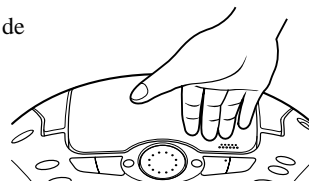
Con el lado de la etiqueta hacia arriba

**2**

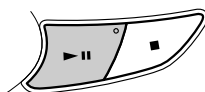
▲ PUSH OPEN/CLOSE



Cierre la tapa del compartimento de discos.



**3**



Presione ►► (► en el mando a distancia, sólo CFD-E75/E75L/E77L).

El reproductor se enciende (activación directa) y el reproductor reproduce todas las pistas una vez.

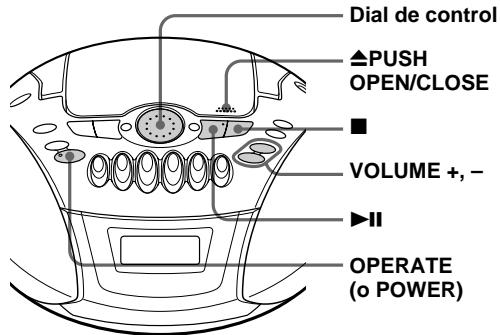
Visor



Número de pista

Tiempo de reproducción

Utilice estos botones para realizar procedimientos adicionales

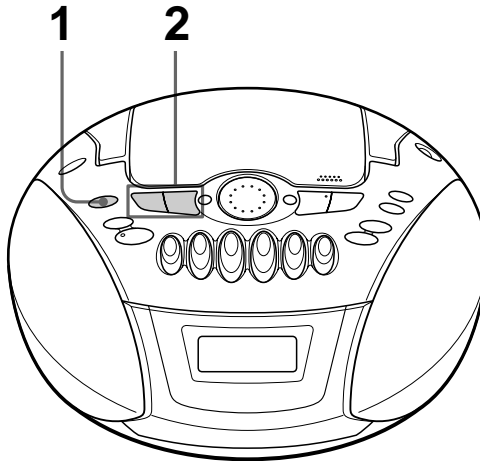


Para	Realice lo siguiente
ajustar el volumen	Presione VOLUME +, - (VOL +, - en el mando a distancia, sólo CFD-E75/E75L/E77L).
detener la reproducción	Presione ■.
realizar una pausa	Presione ▶   (   en el mando a distancia, sólo CFD-E75/E75L/E77L). Vuelva a presionar el botón para reanudar la reproducción después de la pausa.
pasar a la siguiente pista	Gire el dial de control en el sentido de las agujas del reloj. (En el mando a distancia, presione ▶▶, sólo CFD-E75/E75L/E77L.)
retroceder a la pista anterior	Gire el dial de control en el sentido contrario a las agujas del reloj. (En el mando a distancia, presione ◀◀, sólo CFD-E75/E75L/E77L.)
extraer el disco	Presione ▲PUSH OPEN/CLOSE.
encender/apagar el reproductor	Presione OPERATE. (o POWER, consulte la página 2)

### Acerca de discos CD-R/CD-RW

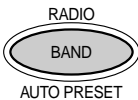
Este reproductor es compatible con discos CD-R/CD-RW, aunque la capacidad de reproducción puede variar en función de la calidad del disco, el dispositivo de grabación y el software de aplicación.

# Radiorecepción



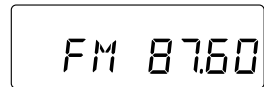
Conecte el cable de alimentación de CA suministrado (consulte la página 24).

**1**



Presione RADIO BAND•AUTO PRESET hasta que la banda que desee aparezca en el visor (activación directa).

**Visor**

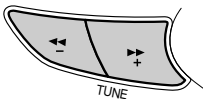


Cada vez que pulse el botón, la banda cambiará de la siguiente forma:

CFD-E75: "FM" → "AM"

CFD-E70L/E75L/E77L: "FM" → "MW" → "LW"

**2**

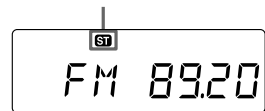


Mantenga presionado TUNE + o - hasta que los dígitos de frecuencia comiencen a cambiar en el visor.

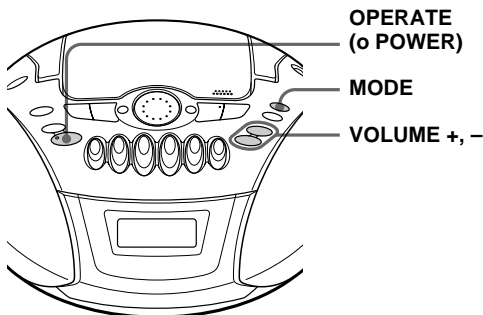
El reproductor explora automáticamente las frecuencias de radio y se detiene al encontrar una emisora con sonido nítido.

Si no puede sintonizar una emisora, presione el botón varias veces y cambie la frecuencia intervalo a intervalo.

**Indica una emisión estéreo de FM.**



Utilice estos botones para realizar procedimientos adicionales



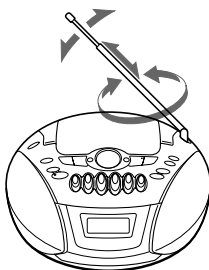
### Sugerencias

- Si la emisión en FM presenta ruido, presione MODE hasta que aparezca “Mono” en el visor; la radio sintonizará la emisión en modo monofónico.
- Si es preciso cambiar el intervalo de sintonización de AM/MW, consulte la página 25.

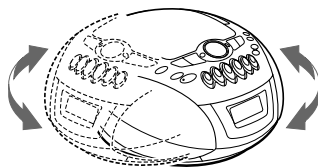
Para	Presione
ajustar el volumen	VOLUME +, – (VOL +, – en el mando a distancia, sólo CFD-E75/E75L/E77L)
encender/apagar la radio	OPERATE (o POWER, consulte la página 2)

Para mejorar la recepción de la radio

Reoriente la antena para FM y el reproductor para AM o MW/LW.

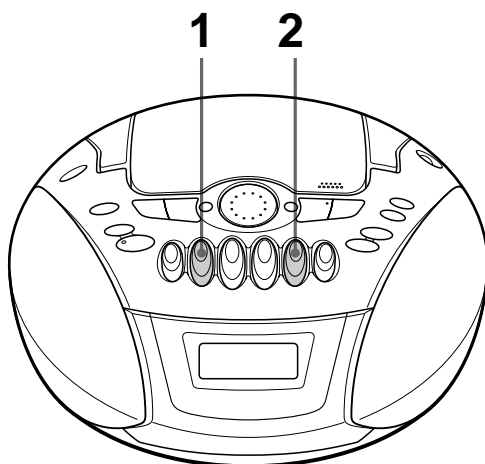


Para FM



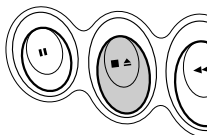
Para AM/MW/LW


# Reproducción de cintas



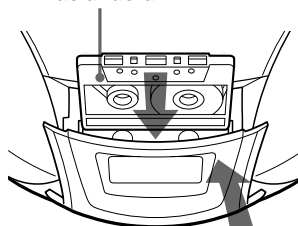
Conecte el cable de alimentación de CA suministrado (consulte la página 24).

1

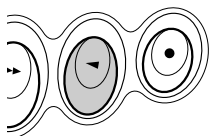


Presione  para abrir el compartimiento de la cinta e inserte una cinta grabada. Emplee sólo cintas TYPE I (normal). Cierre el compartimiento.

Con la cara que desee reproducir orientada hacia fuera



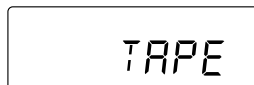
2



Presione .

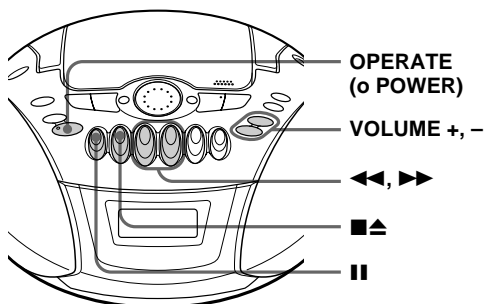
El reproductor se enciende (activación directa) e inicia la reproducción.

Visor



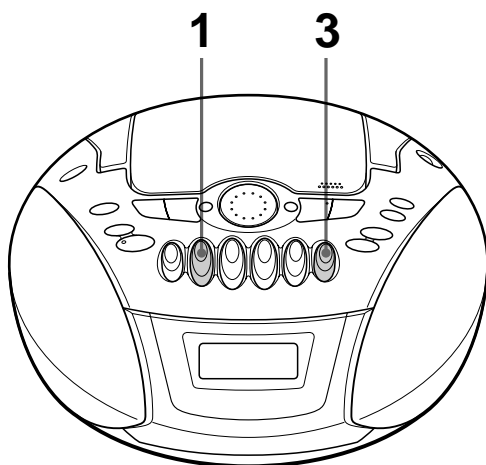


Utilice estos botones para realizar procedimientos adicionales



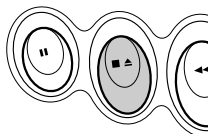
Para	Presione
ajustar el volumen	VOLUME +, - (VOL +, - en el mando a distancia, sólo CFD-E75/E75L/E77L)
cesar la reproducción	■▲
avanzar rápidamente o rebobinar la cinta	◀◀ o ▶▶
realizar una pausa	 Vuelva a presionar el botón para reanudar la reproducción después de la pausa.
extraer el casete	■▲
encender/apagar el reproductor	OPERATE (o POWER, consulte la página 2)

# Grabación en una cinta



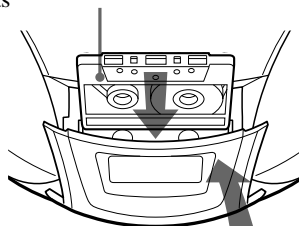
Conecte el cable de alimentación de CA suministrado (consulte la página 24).

1

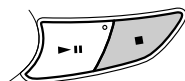


Presione **■▲** para abrir el compartimiento de cintas e inserte una cinta virgen. Emplee sólo cintas TYPE I (normal).

Con la cara en la que desee grabar orientada hacia fuera



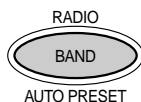
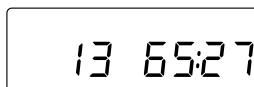
2



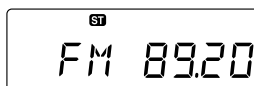
Seleccione la fuente de programa que desee grabar.

Para grabar desde el reproductor de discos compactos, inserte un CD (consulte la página 4) y presione **■** de la sección de CD.

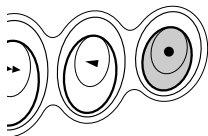
Visor



Para grabar desde la radio, sintonice la emisora que desee (consulte la página 6).

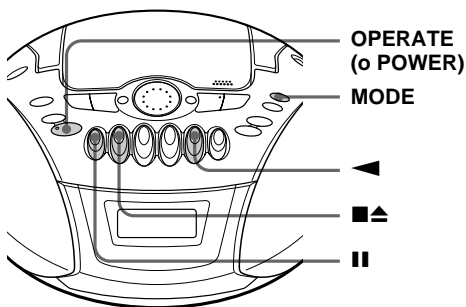


**3**



Presione ● para iniciar la grabación  
(◀ se presiona automáticamente).

Utilice estos botones para realizar operaciones adicionales



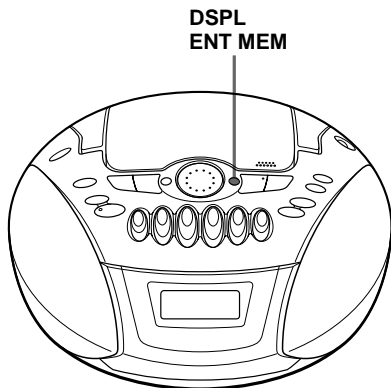
### Sugerencias

- El ajuste del volumen o del énfasis de sonido (consulte la página 18) no afectará al nivel de grabación.
- Si el programa de AM/ MW/LW se recibe con un sonido silbante después de pulsar ● en el paso 3, presione MODE para seleccionar la posición de ISS (Interruptor de supresión de interferencias) que permita disminuir el ruido en mayor medida.
- Para obtener los mejores resultados posibles, emplee la fuente de alimentación de CA.
- Para borrar grabaciones, realice lo siguiente:
  - 1 Inserte la cinta cuya grabación desee borrar.
  - 2 Presione ||.
  - 3 Presione ◀.
  - 4 Presione ●.
  - 5 Presione ||.

Para	Presione
cesar la grabación	■▲
realizar una pausa durante la grabación	 Vuelva a presionar el botón para reanudar la grabación.
encender/apagar el reproductor	OPERATE (o POWER, consulte la página 2)

## Utilización del visor

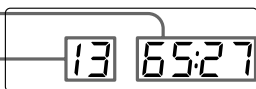
Puede comprobar la información sobre el disco en el visor.



### Comprobación del número total de pistas y del tiempo de reproducción

Presione DSPL•ENT MEM en modo de parada.

Tiempo total de reproducción  
Número total de pistas



### Comprobación del tiempo restante

Presione DSPL•ENT MEM mientras reproduce un disco.

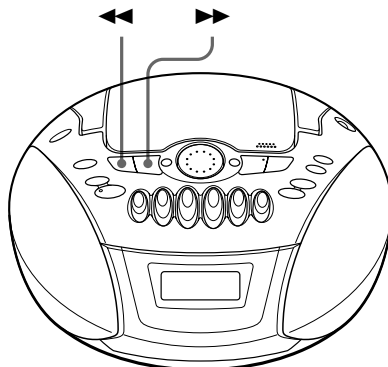
Para visualizar	Presione DSPL•ENT MEM
el número de pista actual y el tiempo restante de ésta*	una vez
el número de pistas y el tiempo del disco restantes	dos veces
el número de pista actual y tiempo de reproducción	tres veces

\* Para las pistas de número superior a 20, el tiempo restante aparece en el visor con la forma “- - - -”.

## Localización de un punto específico en una pista

Es posible encontrar un punto específico en una pista rápidamente mientras se reproduce un CD.

También es posible localizar cualquier pista de un CD utilizando los botones numéricos del mando a distancia (sólo CFD-E75/E75L/E77L).



Para localizar	Presione
un punto mientras escucha el sonido	▶▶ (hacia delante) o ◀◀ (hacia atrás) durante la reproducción y manténgalo presionado hasta encontrar el punto. (En el mando a distancia, utilice ▶▶I o I◀◀, sólo CFD-E75/E75L/E77L.)
un punto mientras observa el visor	▶▶ (hacia delante) o ◀◀ (hacia atrás) durante una pausa y manténgalo presionado hasta encontrar el punto. (En el reproductor, utilice ▶▶I o I◀◀, sólo CFD-E75/E75L/E77L.)
una pista específica directamente (sólo CFD-E75/E75L/E77L)	el botón numérico de la pista.

## Nota

No será posible localizar pistas específicas si "SHUF" o "PGM" está iluminado en el visor. Desactive la indicación presionando ■ (sólo CFD-E75/E75L/E77L).

## Sugerencia

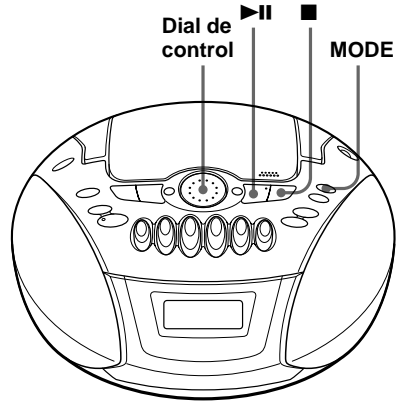
Para localizar una pista de número superior a 10, presione >10 primero y, a continuación, los botones numéricos correspondientes.

Ejemplo: Para reproducir la pista número 23, presione >10 primero y, a continuación, 2 y 3 (sólo CFD-E75/E75L/E77L).

# Reproducción repetida de las pistas

## (Reproducción repetida)

Puede reproducir las pistas repetidamente en los modos de reproducción normal, aleatoria o programada (consulte las páginas 14 - 15).



**1** Presione ■.  
La indicación "Cd" aparece en el visor.

**2** Realice lo siguiente.

	<b>Para repetir</b>	<b>Realice lo siguiente</b>
una sola pista	1 Presione MODE hasta que aparezca "REPEAT 1". 2 Gire el dial de control para seleccionar la pista que desee repetir. 3 Presione ►  .	
todas las pistas	1 Presione MODE hasta que aparezca "REPEAT ALL". 2 Presione ►  .	
pistas en orden aleatorio	1 Presione MODE hasta que aparezca "SHUF REPEAT". 2 Presione ►  .	
pistas programadas	1 Presione MODE hasta que aparezca "PGM REPEAT". 2 Programe pistas (consulte el paso 3 de la página 15). 3 Presione ►  .	

## Reproducción repetida de las pistas (Reproducción repetida) (continuación)

Para cancelar la reproducción repetida

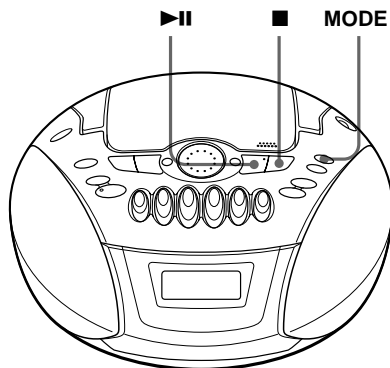
Presione **MODE** hasta que “REPEAT” desaparezca del visor.

En el mando a distancia (sólo CFD-E75/E75L/E77L)

- Utilice ► en lugar de ►||.
- Si ha elegido “REPEAT 1”, seleccione la pista pulsando los botones numéricos.

## Reproducción de pistas en orden aleatorio (Reproducción aleatoria)

Es posible reproducir las pistas en orden aleatorio.



- 1** Presione ■.  
“Cd” aparece en el visor.
- 2** Presione **MODE** hasta que aparezca “SHUF” en el visor.
- 3** Presione ►|| para iniciar la reproducción aleatoria.

Para cancelar la reproducción aleatoria

Presione **MODE** hasta que desaparezca “SHUF” del visor.

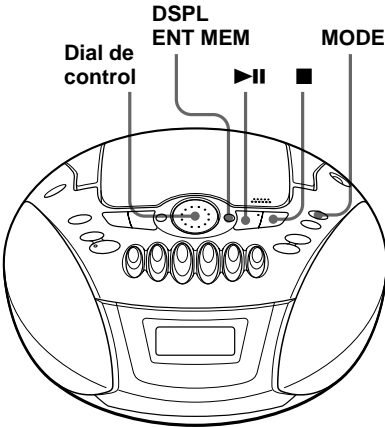
En el mando a distancia (sólo CFD-E75/E75L/E77L)

Utilice ► en lugar de ►||.

# Creación de su propio programa

## (Reproducción programada)

Puede crear un programa compuesto por un máximo de 20 pistas en el orden que desee reproducirlas.



En el mando a distancia (sólo CFD-E75/E75L/E77L)

- 1 Presione ■.
- 2 Presione MODE hasta que "PGM" aparezca en el visor.
- 3 Presione los botones numéricos de las pistas que que vaya a programar en el orden que desee.
- 4 Presione ►.

Para cancelar la reproducción programada

Presione MODE hasta que "PGM" desaparezca del visor.

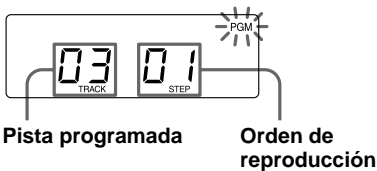
Para comprobar el orden de las pistas antes de la reproducción Presione DSPL•ENT MEM.

Cada vez que presione le botón, el número de pista aparece en el orden programado.

Para cambiar el programa actual

Presione ■ una vez si el CD está parado y dos veces si está reproduciéndose. El programa actual se borrará. A continuación, cree un nuevo programa siguiendo el procedimiento de programación.

- 1 Presione ■.  
La indicación "Cd" aparece en el visor.
- 2 Presione MODE hasta que la indicación "PGM" aparezca en el visor.
- 3 Gire el dial de control para seleccionar la pista que desee programar y presione DSPL•ENT MEM.  
Repita este paso.



Sugerencias

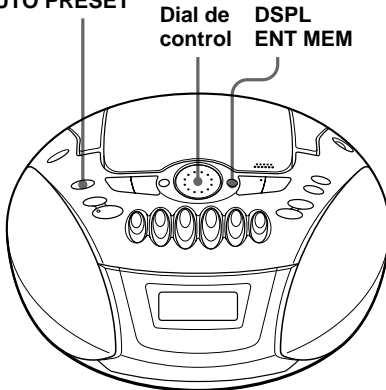
- Es posible volver a reproducir el mismo programa, ya que éste queda almacenado hasta que abra el compartimiento de discos compactos.
- Puede grabar su propio programa. Después de crear el programa, inserte una cinta virgen y presione ● para iniciar la grabación.

- 4 Presione ► para iniciar la reproducción programada.

## Memorización de emisoras de radiodifusión

Es posible almacenar emisoras de radio en la memoria del reproductor. Es posible predefinir hasta 30 emisoras de radio (CFD-E75), 20 para FM y 10 para AM en cualquier orden o 40 emisoras de radio (CFD-E70L/E75L/E77L), 20 para FM y 10 para MW y LW respectivamente en cualquier orden.

**RADIO BAND  
AUTO PRESET**



- 1** Presione **RADIO BAND•AUTO PRESET** para seleccionar la banda.
- 2** Mantenga presionado **RADIO BAND•AUTO PRESET** durante 2 segundos hasta que “AUTO” aparezca en el visor.
- 3** Presione **DSPL•ENT MEM**.  
Las emisoras se almacenan en memoria desde las frecuencias inferiores hasta las superiores.

Si no es posible predefinir una emisora automáticamente

Las emisoras cuya señal sea débil deben predefinirse manualmente.

- 1** Presione **RADIO BAND•AUTO PRESET** para seleccionar la banda.
- 2** Sintonice la emisora deseada.
- 3** Mantenga presionado **DSPL•ENT MEM** durante 2 segundos.
- 4** Gire el dial de control para seleccionar el número de memorización en el que desee memorizar la nueva emisora.
- 5** Presione **DSPL•ENT MEM** de nuevo.  
La nueva emisora sustituye a la antigua.

En el mando a distancia (sólo CFD-E75/E75L/E77L)

- 1** Presione **BAND** hasta que el visor muestre la banda que desee.
- 2** Presione **TUNE + o -** hasta sintonizar la emisora que desee.

- 3** Mantenga presionado durante unos 2 segundos los botones numéricos en los que desee memorizar la nueva emisora.

Para seleccionar un número de memorización superior a 10, presione >10 primero y, a continuación, los botones numéricos correspondientes.

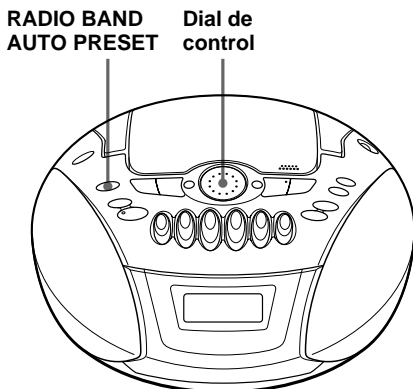
Es preciso mantener presionado durante unos 2 segundos el botón del último número.

(Ejemplo: Para seleccionar 12, presione >10 y 1 primero y, a continuación, mantenga presionado 2 durante unos 2 segundos.)



# Sintonía de emisoras almacenadas

Una vez memorizadas las emisoras, utilice el dial de control del reproductor o los botones numéricos del mando a distancia para sintonizar las emisoras que desee.



- 1** Presione **RADIO BAND•AUTO PRESET** para seleccionar la banda.
- 2** Gire el dial de control para sintonizar la emisora almacenada.

En el mando a distancia (sólo CFD-E75/E75L/E77L)

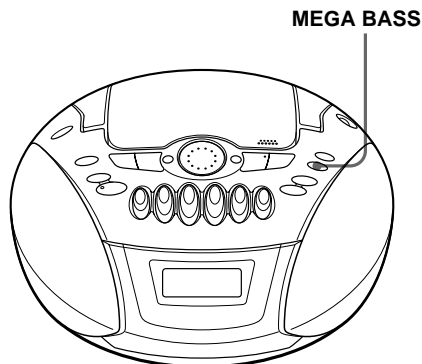
- 1 Presione **BAND** hasta que el visor muestre la banda que desee.
- 2 Presione los botones numéricos para sintonizar la emisora almacenada.

Para sintonizar una emisora memorizada de número superior a 10, presione >10 primero y, a continuación, los botones numéricos correspondientes.

(Ejemplo: Para sintonizar la emisora memorizada con el número 12, presione >10 y 1 primero y, a continuación, presione 2.)

### Selección del énfasis de audio (MEGA BASS)

Puede ajustar el énfasis de audio del sonido que esté escuchando.



Refuerzo de los graves

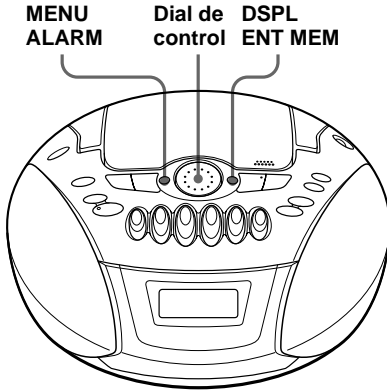
Presione MEGA BASS.

“MEGA BASS” aparece en el visor.

Para recuperar el sonido normal, vuelva a presionar el botón.

## Ajuste del reloj

El visor mostrará la indicación “- -: - -” hasta que ajuste el reloj.

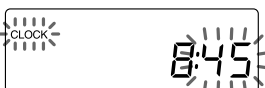


Antes de poner el reloj en hora, conecte la fuente de alimentación (consulte la página 24).

- 1 Presione **MENU•ALARM** hasta que “**CLOCK**” aparezca en el visor y, a continuación, pulse **DSPL•ENT MEM**. El dígito de la hora parpadea.



- 2 Gire el dial de control para ajustar la hora actual. A continuación, presione **DSPL•ENT MEM**. Los dígitos de los minutos parpadean. Ajuste los minutos girando el dial de control hasta que aparezcan los minutos correctos.



- 3 Presione **DSPL•ENT MEM**. El reloj se pone en funcionamiento a partir de 00 segundos.

### Sugerencia

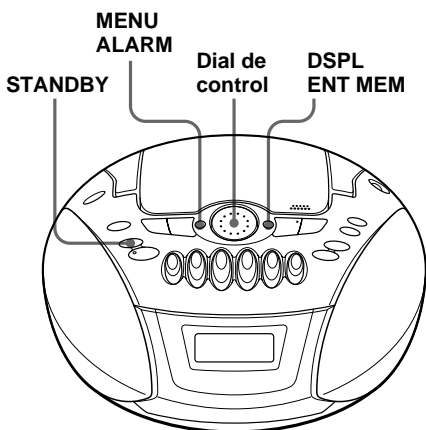
Sistema de visualización de la hora:

CFD-E75: Sistema de 12 horas

CFD-E70L/E75L/E77L: Sistema de 24 horas

# Activación automática de la unidad

Puede programar la hora de activación de la unidad para despertarse con música o radio. Asegúrese de haber ajustado el reloj (Consulte “Ajuste del reloj” en la página 19).



Antes de comenzar, compruebe que la indicación (reloj) no está iluminada en el visor. Si lo está, presione STANDBY.

- 1 Prepare la fuente musical que desee reproducir.

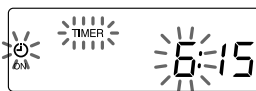
Para reproducir	Realice lo siguiente
la radio	Sintonice una emisora.
un CD	Inserte un CD.

- 2 Presione MENU•ALARM hasta que “TIMER” aparezca en el visor y, a continuación, presione DSPL•ENT MEM.

La indicación (reloj) y la fuente musical (“Cd” o “RADIO”) parpadean.

- 3 Seleccione la fuente de música (“Cd” o “RADIO”) girando el dial de control y, a continuación, presione DSPL•ENT MEM.

- 4 Ajuste en el temporizador la hora a la que desee que se inicie la música; para ello, gire el dial de control y, a continuación, presione DSPL•ENT MEM.



Ajuste los minutos y, a continuación, presione DSPL•ENT MEM.

- 5 Defina en el temporizador la hora y los minutos en que desea que se desactive la música. (Realice la acción del paso 4.)

- 6 Gire el dial de control para ajustar el volumen y, a continuación, presione DSPL•ENT MEM.



- 7 Presione STANDBY.

La indicación se ilumina y la alimentación se desactiva.

A la hora programada, la unidad se encenderá y la música se reproducirá. A continuación, la unidad se apagará a la hora programada y el reproductor entrará en el modo de espera.

Para comprobar o modificar el momento de inicio de la reproducción

Presione MENU•ALARM hasta que “TIMER” aparezca en el visor y, a continuación, presione DSPL•ENT MEM. Cada vez que presione DSPL•ENT MEM, aparecerá un ajuste almacenado en el orden ajustado. Para cambiar el ajuste, muestre el que desee cambiar y vuelva a introducirlo.

Para emplear el reproductor antes del inicio de una reproducción con temporizador

Basta con encender el reproductor y emplearlo con normalidad.

Si apaga el reproductor antes de la hora programada, la reproducción con temporizador se iniciará a la hora definida.

No obstante, en el caso de la radio, si escucha una emisora diferente de la sintonizada en el paso 1 de la página 20, escuchará esa emisora a la hora programada. Asegúrese de sintonizar la emisora que desee escuchar antes de apagar el reproductor.

Para detener la reproducción

Presione OPERATE (o POWER) para desactivar la alimentación.

#### Notas

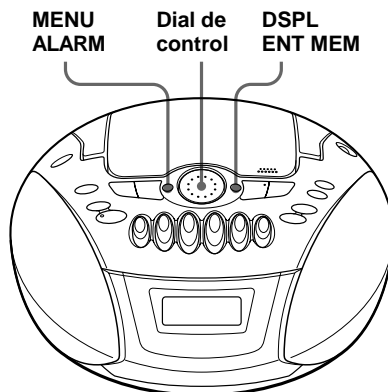
- Cuando presione STANDBY en el paso 7, asegúrese de que no ha presionado el botón ◀ ni ● del reproductor de cintas.
- Al presionar el botón ◀ o ● del reproductor de cintas en el modo de temporizador:  
Si la longitud de una cara de la cinta supera la hora ajustada, el reproductor se apagará al final de la cinta, no a la hora ajustada.

#### Sugerencias

- Para salir del modo de espera, presione STANDBY para que ☺ desaparezca del visor.
- Los ajustes programados se conservan hasta que vuelva a ajustarlos.

## Desactivación automática de la unidad

Es posible ajustar el reproductor para que se desactive automáticamente transcurridos 10, 20, 30, 60, 90 y 120 minutos, de forma que pueda dormirse mientras escucha música.



Temporizador

- 1 Reproduzca la fuente musical que desee.
- 2 Presione MENU•ALARM hasta que "SLEEP" aparezca en el visor y presione DSPL•ENT MEM.
- 3 Gire el dial de control para seleccionar los minutos tras los cuales el reproductor se apagará automáticamente.  
Cada vez que gire el dial de control, la indicación cambiará de la siguiente forma:  
"60" → "90" → "120" → "OFF" → "10" → "20" → "30".



*continúa*

## Desactivación automática de la unidad (continuación)

Para cancelar la función de desactivación automática

Presione OPERATE (o POWER) para desactivar la alimentación.

### Nota

Cuando reproduzca una cinta utilizando esta función:

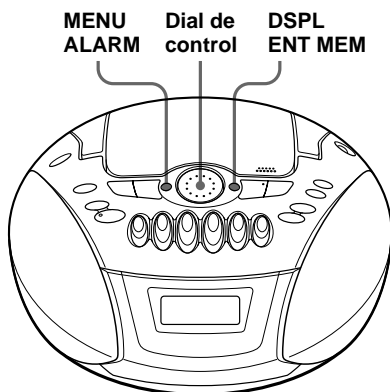
Si la duración de una cara de la cinta es superior al tiempo establecido, el reproductor no se detendrá hasta que la cinta llegue al final.

### Sugerencias

- Es posible dormirse y despertarse con música diferente. Ajuste primero el temporizador de activación (consulte la página 20), active la alimentación y, a continuación, ajuste el temporizador de desactivación. No obstante, no es posible almacenar emisoras de radio diferentes.
- Es posible definir niveles de volumen diferentes para el temporizador de activación y para el de desactivación. Por ejemplo, puede quedarse dormido con un nivel de volumen menor y despertarse con un volumen mayor.

## Uso del temporizador de cuenta atrás

Es posible programar el reproductor para que reproduzca música o emita un pitido transcurrido un periodo de tiempo especificado, lo que resulta útil como cronómetro de cocina, etc.



- 1 Presione MENU•ALARM durante 2 segundos hasta que "ALARM" aparezca en el visor.
- 2 Gire el dial de control para mostrar el tiempo (OFF, 1 a 60 minutos) de la alarma y presione DSPL•ENT MEM.



- 3 Gire el dial de control para seleccionar el volumen del sonido y presione DSPL•ENT MEM.

Visor	Volumen
LO	bajo
HI	alto

- 4** Gire el dial de control para seleccionar el sonido de la alarma y presione DSPL•ENT MEM.

Visor	Sonido de la alarma
bEEP	pitido
MUSIC	“La primavera” perteneciente a “Le Quattro Stagioni (Las cuatro estaciones)” de Vivaldi

- 5** Presione DSPL•ENT MEM para activar el temporizador de cuenta atrás. El temporizador de cuenta atrás empieza a funcionar. Transcurrido el periodo de tiempo especificado, la alarma sonará durante 20 segundos.

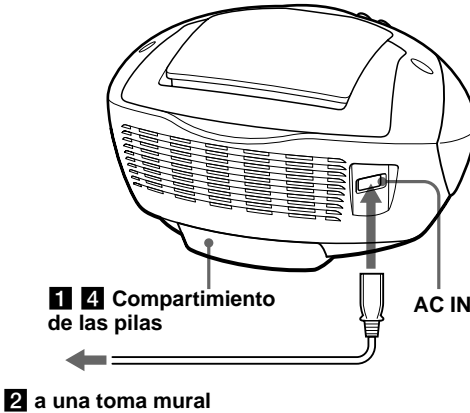
Para que la alarma deje de sonar  
Presione MENU•ALARM.

#### Sugerencia

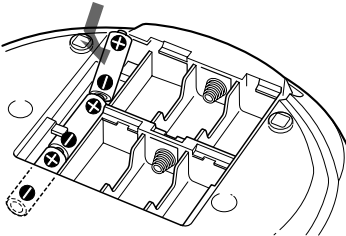
Puesto que los ajustes se almacenan, puede activar el temporizador de cuenta atrás presione MENU•ALARM durante 2 segundos aproximadamente y, a continuación, DSPL•ENT MEM. Asegúrese de que el visor muestra “ALARM”.

## Selección de la fuente de alimentación

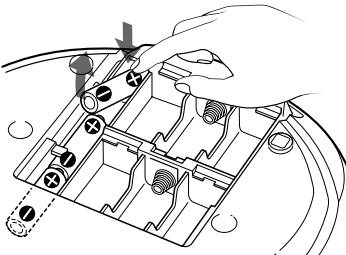
Puede utilizar la alimentación de CA o las pilas como fuente de alimentación.



- 1** Inserción de las pilas de respaldo  
Inserte cuatro pilas R6 (tamaño AA) (no suministradas) en el compartimento de pilas. Estas pilas sirven para proteger los datos de la memoria.



Sustitución de las pilas  
Saque las pilas como se ilustra.



### Nota

Antes de sustituir las pilas, asegúrese de extraer el CD del reproductor.

### Sugerencia

Si el cable de alimentación de CA está desconectado y no hay pilas insertadas para alimentar el reproductor (pero con pilas de respaldo insertadas), la indicación de la hora del visor se atenuará para evitar el desgaste de las pilas.

- 2** Conexión del cable de alimentación de CA

Inserte un extremo del cable de alimentación de CA suministrado en la clavija AC IN situada en la parte posterior del reproductor, y el otro extremo en la toma mural.



## Cambio del intervalo de sintonización de AM/MW

El intervalo de sintonización de AM/MW está ajustado de fábrica de la siguiente forma:

Modelo para Argentina: 10 kHz

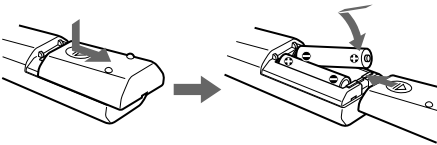
Otros modelos: 9 kHz

Si es preciso cambiar el intervalo de sintonización de AM/MW, realice lo siguiente:

- 1** Presione RADIO BAND•AUTO PRESET hasta que aparezca “AM” o “MW”.
- 2** Presione DSPL•ENT MEM durante 2 segundos.
- 3** Presione RADIO BAND•AUTO PRESET durante 2 segundos.  
“AM 9” “MW 9” o “AM 10” “MW 10” parpadea.
- 4** Gire el dial de control con el fin de seleccionar “AM 9” “MW 9” para el intervalo de 9 kHz o “AM 10” “MW 10” para el de 10 kHz.
- 5** Presione DSPL•ENT MEM.

Tras cambiar el intervalo de sintonización, deberá reajustar las emisoras de radio de AM/MW memorizadas.

- 3** Inserción de las pilas en el mando a distancia (sólo CFD-E75/E75L/E77L)



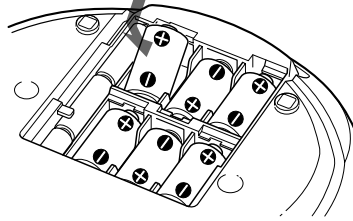
**Inserte dos pilas R6 (tamaño AA) (no suministradas).**

## Sustitución de las pilas

Con un uso normal, las pilas deben durar aproximadamente seis meses. Cuando el reproductor no responda al mando a distancia, sustituya todas las pilas por unas nuevas.

- 4** Utilización del reproductor con pilas  
Inserte seis pilas R14 (tamaño C) (no suministradas) en el compartimiento de las pilas.

Para utilizar el reproductor con las pilas, desconecte el cable de alimentación de CA del mismo.



## Sustitución de las pilas

Sustituya todas las pilas por otras nuevas si el indicador OPR/BATT presenta una luz tenue, o si el reproductor deja de funcionar. Sustituya todas las pilas por otras nuevas.

## Notas

- Antes de sustituir las pilas, asegúrese de extraer el CD del reproductor.
- Al utilizar el reproductor con pilas, no es posible encenderlo con el mando a distancia.

## Sugerencia

Si utiliza el reproductor con pilas, sustituya las pilas de respaldo cuando la indicación de tiempo se atenúe o no pueda controlar el temporizador. Reemplace todas las pilas por otras nuevas. Con un uso normal, las pilas de respaldo deben durar aproximadamente seis meses. Para guardar los datos de la memoria, sustituya las pilas por el cable de alimentación de CA conectado.

## Precauciones

### Seguridad

- No desmonte el aparato, ya que el haz láser utilizado en la sección del reproductor de discos compactos es perjudicial para los ojos. Solicite asistencia técnica sólo a personal especializado.
- Si cae algún objeto sólido o se vierte líquido sobre el reproductor, desenchúfelo y haga que se lo revise personal especializado antes de volver a utilizarlo.
- Los discos con formas no estándar (p.ej., corazón, cuadrado, estrella) no pueden reproducirse en este reproductor. Si lo intenta, puede dañar el reproductor. No utilice tales discos.

### Fuentes de alimentación

- Cuando lo alimente con CA, compruebe que la tensión de funcionamiento del reproductor coincide con la del suministro eléctrico local (consulte “Especificaciones”) y utilice el cable de corriente suministrado; no emplee otro tipo de cable.
- El reproductor no estará desconectado de la fuente de alimentación de CA (corriente eléctrica) mientras esté conectado a la toma mural, incluso si ha apagado el reproductor.
- Para el funcionamiento con pilas, utilice seis pilas R14 (tamaño C).
- Si no va a utilizar las pilas, extraígalas para evitar posibles daños causados por el derrame del electrolito o la corrosión de las mismas.
- La placa de características que indica la tensión de funcionamiento, consumo de energía, etc., está situada en la parte inferior.

### Colocación

- No deje el reproductor en un lugar cercano a fuentes térmicas ni expuesto a la luz solar directa, al polvo excesivo ni a golpes mecánicos.
- No coloque el reproductor en un lugar inclinado ni inestable.
- No coloque ningún objeto a una distancia inferior a 10 mm. de los lados del aparato. Procure no obstruir los orificios de ventilación para lograr el funcionamiento apropiado y prolongar la duración de sus componentes.
- Si deja el reproductor en el automóvil aparcado al sol, elija un lugar dentro del automóvil donde la unidad no esté expuesta a los rayos directos del sol.
- Ya que los altavoces están provistos de imanes potentes, mantenga alejados del reproductor tarjetas personales de crédito con codificación magnética y relojes de cuerda para prevenir posibles daños producidos por los imanes.

### Funcionamiento

- Si desplaza el reproductor directamente de un lugar frío a otro cálido, o si lo coloca en una sala muy húmeda, puede condensarse humedad en la lente del interior de la sección del reproductor de discos compactos. Si esto ocurre, el reproductor no funcionará adecuadamente. En este caso, extraiga el CD y espere durante una hora aproximadamente hasta que se evapore la humedad.
- Si no ha utilizado el reproductor durante mucho tiempo, déjelo unos minutos en el modo de reproducción para que se caliente antes de insertar un casete.

Si desea realizar alguna consulta o solucionar algún problema referente al reproductor, póngase en contacto con el proveedor Sony más próximo.

## Notas sobre discos compactos

- Antes de la reproducción, limpie el CD con un paño de limpieza desde el centro hacia los bordes.

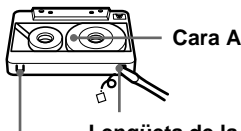


- No utilice disolventes como bencina, diluyentes, limpiadores comercialmente disponibles o rociadores antiestáticos para discos analógicos.
- No exponga el CD a la luz solar directa ni a fuentes térmicas como conductos de aire caliente; tampoco lo deje en un automóvil aparcado al sol, ya que puede producirse un considerable aumento de temperatura en el interior del automóvil.
- No adhiera papeles ni adhesivos sobre el CD, ni arañe su superficie.
- Tras la reproducción, guarde el CD en su caja.

Si el disco está rayado, sucio o tiene huellas dactilares, pueden producirse errores de seguimiento.

## Notas sobre casetes

- Rompa la lengüeta del casete de la cara A o B para evitar grabaciones accidentales. Si desea volver a utilizar la cinta para realizar grabaciones, cubra el orificio de la lengüeta rota con cinta adhesiva.



Lengüeta de la cara B

Lengüeta de la cara A

- No se recomienda el uso de casetes de tiempo de reproducción superior a 90 minutos, excepto para grabación o reproducción continua y de larga duración.

# Solución de problemas

## General

### La alimentación no se activa.

- Conecte el cable de alimentación de CA a la clavija AC IN y a una toma mural con firmeza.
- Asegúrese de que ha insertado las pilas correctamente.
- Sustituya todas las pilas por otras nuevas si están agotándose.
- No es posible encender el reproductor con el mando a distancia al utilizar dicho reproductor con pilas (sólo CFD-E75/E75L/E77L).

### Ausencia de sonido.

- Desenchufe los auriculares para recibir sonido a través de los altavoces.

### La alimentación se desactiva inesperadamente.

- Sustituya todas las pilas por otras nuevas.

### Se oye un ruido inusual.

### El sonido se oye con ruido, es débil o es de mala calidad.

- Sustituya todas las pilas por otras nuevas si están agotándose.

### Se oye ruido.

- Alguien está utilizando un teléfono móvil u otro equipo que emite ondas de radio cerca del reproductor.  
→ Aleje dicho teléfono, etc., del reproductor.

*continúa*

## Reproductor de discos compactos

### La indicación “no diSC” se ilumina en el visor aunque haya un CD insertado.

- Inserte el CD con la superficie de la etiqueta hacia arriba.
- El CD-R/CD-RW no está finalizado. Finalice el CD-R/CD-RW con el dispositivo de grabación.
- Existe un problema con la calidad del CD-R/CD-RW, el dispositivo de grabación o el software de aplicación.

### El CD no se reproduce.

- Coloque el CD con la superficie de la etiqueta hacia arriba.
- Limpie el CD.
- Extraiga el CD y deje abierto el compartimiento de discos compactos durante una hora aproximadamente hasta que se seque la condensación de humedad.

### Pérdida de sonido.

#### Se oye ruido.

- Reduzca el volumen.
- Limpie el CD o sustitúyalo si está gravemente dañado.
- Sitúe el reproductor en un lugar sin vibraciones.
- Pueden producirse pérdidas de sonido o ruido si se utilizan discos CD-R/CD-RW de mala calidad o si existe algún problema con el dispositivo de grabación o el software de aplicación.

### No es posible abrir ni cerrar la tapa del compartimiento de discos.

- Coloque el reproductor sobre una superficie plana y abra o cierre la tapa.

## Radio

### El sonido es demasiado bajo o presenta mala calidad.

- Sustituya todas las pilas por otras nuevas si están agotándose.
- Aleje el reproductor del televisor.
- Si emplea el mando a distancia mientras escucha una emisión de AM (CFD-E75) o de MW/LW (CFD-E70L/E75L/E77L), es posible que se oiga ruido. Esto es inevitable.

### La imagen del televisor no es estable.

- Si escucha un programa en FM cerca del televisor con una antena interior, aleje el reproductor del televisor.

## Reproductor de cintas

### La cinta permanece inmóvil cuando presiona un botón de funcionamiento.

- Cierre el compartimiento de la cinta con firmeza.

### El botón REC ● no funciona.

#### La cinta no se reproduce.

- Asegúrese de que el casete está provisto de lengüeta de seguridad.

#### La cinta no se borra por completo.

- Limpie las cabezas borradoras (consulte la página 30).
- Sustituya todas las pilas por otras nuevas si están agotándose.
- Se está reproduciendo una fuente que se grabó en una cinta TYPE II (posición alta) o TYPE IV (metal) con esta unidad. Grabe en una cinta TYPE I (normal) y reproduzca.

#### La cinta no puede grabarse.

- Asegúrese de que ha insertado la cinta correctamente.
- Asegúrese de que el casete está provisto de lengüeta de seguridad.

#### El sonido es débil o de mala calidad.

- Limpie las cabezas, el rodillo compresor y el eje de arrastre (consulte la página 30).
- Desmagnetice las cabezas con un desmagnetizador (consulte la página 30).

#### El sonido se distorsiona.

- Está utilizando cintas TYPE II (posición alta) o TYPE IV (metal). Emplee sólo cintas TYPE I (normal).

## Temporizador

---

### El temporizador no funciona.

- Asegúrese de que el reloj muestra la hora correcta.
  - Compruebe si se ha producido un corte de suministro de CA.
  - Compruebe que el visor muestra la indicación ⌚ (reloj).
- 

## Mando a distancia (sólo CFD-E75/E75L/E77L)

---

### El mando a distancia no funciona.

- Sustituya todas las pilas del mando a distancia por unas nuevas si disponen de poca energía.
  - Cerciórese de que orienta el mando a distancia hacia el sensor de control remoto del reproductor.
  - Elimine los obstáculos que haya entre el mando a distancia y el reproductor.
  - Compruebe que el sensor de control remoto no esté expuesto a iluminaciones intensas, como a la luz solar directa o a lámparas fluorescentes.
  - Acérquese al reproductor cuando utilice el mando a distancia.
- 

Si los problemas persisten después de haber realizado las soluciones sugeridas, desenchufe el cable de alimentación de CA y extraiga todas las pilas. Una vez que desaparezcan todas las indicaciones del visor, enchufe el cable de alimentación y vuelva a insertar las pilas. Si el problema no se soluciona, póngase en contacto con el proveedor Sony más próximo.

# Mantenimiento

## Limpeza de la lente

Si la lente se ensucia, pueden producirse pérdidas de sonido durante la reproducción del CD. Límpiela con un soplador disponible en las tiendas del ramo.

## Limpeza de las cabezas y la trayectoria de la cinta

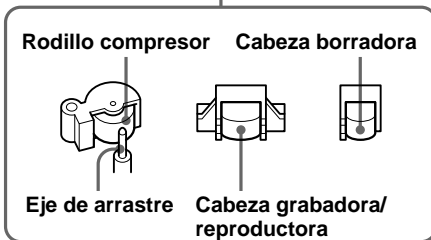
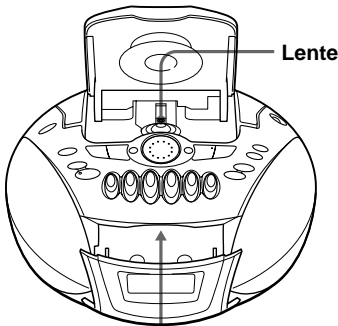
Para obtener una calidad de reproducción y grabación óptima, limpie las cabezas, el rodillo compresor y el eje de arrastre con una escobilla de limpieza ligeramente humedecida en un líquido limpiador o alcohol cada 10 horas de funcionamiento. Sin embargo, para realizar grabaciones con la mayor calidad posible, se recomienda limpiar todas las superficies por las que se desplaza la cinta antes de cada grabación.

## Desmagnetización de las cabezas de cinta

Transcurridas entre 20 a 30 horas de uso, se concentra suficiente cantidad de magnetismo residual en las cabezas de cinta para empezar a causar pérdida de sonido de alta frecuencia y siseo. Llegado este momento, deben desmagnetizarse las cabezas y todos los componentes de metal del recorrido de la cinta con un desmagnetizador de cabezas que podrá adquirir en una tienda del ramo.

## Limpeza del exterior

Limpie la caja, el panel y los controles con un paño suave ligeramente humedecido en una solución detergente poco concentrada. No utilice estropajos, detergentes abrasivos ni disolventes como alcohol o bencina.



Una vez realizada la limpieza, inserte una cinta cuando las zonas limpias estén completamente secas.

# Especificaciones

## Sección del reproductor de discos compactos

### Sistema

Sistema audiodigital de discos compactos

### Propiedades del diodo láser

Material: GaAlAs

Longitud de onda: 780 nm

Duración de emisión: Continua

Salida de láser: Menos de 44,6  $\mu$ W

(Esta salida es el valor medido a una distancia de unos 200 mm de la superficie del objetivo del bloque fonocaptor óptico con una apertura de 7 mm)

### Velocidad del eje

200 rev./min. (rpm) a 500 rev./min. (rpm) (CLV)

### Número de canales

2

### Respuesta de frecuencia

20 - 20 000 Hz +0/-1 dB

### Fluctuación y trémolo

Por debajo del límite medible

## Sección de la radio

### Margen de frecuencias

#### CFD-E75

FM	Modelo coreano	87,6 - 107 MHz
	Otros modelos	87,5 - 108 MHz

AM	531 - 1 602 kHz (intervalo de 9 kHz)
	530 - 1 610 kHz (intervalo de 10 kHz)

#### CFD-E70L/E75L/E77L

FM	87,5 - 108 MHz
----	----------------

MW	531 - 1 602 kHz (intervalo de 9 kHz)
	530 - 1 610 kHz (intervalo de 10 kHz)

LW	153 - 279 kHz
----	---------------

### IF

FM: 10,7 MHz

AM/MW/LW: 450 kHz

### Antenas

FM: Antena telescópica

AM/MW/LW: Barra de ferrita incorporada

## Sección de la grabadora de casetes

### Sistema de grabación

4 pistas, 2 canales estéreo

### Tiempo de bobinado rápido

120 seg. aprox. con casetes Sony C-60

### Respuesta de frecuencia

TYPE I (normal): 70 - 13 000 Hz

## General

### Altavoz

Gama completa: 8 cm. de diám.,  
4  $\Omega$ , tipo cónico (2)

### Salidas

Toma de auriculares (minitoma estéreo)

Para auriculares de 16 - 64  $\Omega$  de impedancia

### Salida máxima de potencia

4 W

### Requisitos de alimentación:

Para radiocasete con reproductor de discos compactos:

Modelo para Argentina: 220 - 230 V CA, 50 Hz

Modelo coreano: 220 V CA, 60 Hz

Otros modelos: 230 V CA, 50 Hz

9 V CC, 6 pilas de R14 (tamaño C)

Para respaldo de memoria:

4,5 V CC, 3 pilas R6 (tamaño AA)

Para el mando a distancia (sólo CFD-E75/E75L/E77L):

3 V CC, 2 pilas R6 (tamaño AA)

### Consumo

CA 14 W

### Duración de las pilas

Para radiocasete con reproductor de discos compactos:

#### Grabación de FM

Sony R14P: 5 h. aprox.

Alcalinas LR14 Sony: 20,5 h. aprox.

#### Reproducción de cintas

Sony R14P: 6 h. aprox.

Alcalinas LR14 Sony: 27 h. aprox.

#### Reproducción de discos compactos

Sony R14P: 1,5 h. aprox.

Alcalinas LR14 Sony: 8 h. aprox.

### Dimensiones

283 x 165 x 281 mm. aprox. (an/al/f)  
(incluyendo partes salientes)

### Peso

3,5 kg. aprox. (incluyendo las pilas)

### Accesorios suministrados

Cable de alimentación de CA (1)

Mando a distancia (1) (sólo CFD-E75/E75L/E77L)

El diseño y las especificaciones están sujetos a cambio sin previo aviso.

## Accesorios opcionales

Auriculares de la serie MDR Sony

# Índice alfabético

## A, B

Ajuste del reloj 19  
Alarma 22

## C

Conexión del cable de  
alimentación de CA 24  
Creación de su propio  
programa 15

## D

Desmagnetización de las  
cabezas de cinta 30

## E

Emisoras de radio  
memorización 16  
sintonía 17  
Énfasis de audio 18

## F

Fuentes de alimentación 24

## G, H, I, J, K

Grabación en una cinta 10

## L

Limpieza  
cabezas y recorrido de  
cinta 30  
exterior 30  
Localización de una pista  
específica 12

## M, N, O

MEGA BASS 18  
Mejora de la recepción de  
emisoras 7  
Memorización de emisoras  
de radiodifusión 16

## P, Q

Pilas  
para el mando a distancia  
25  
para el reproductor 25  
para memoria 24  
Preparativos 24

## R

Radiorecepción 6  
Reproducción  
emisoras de radio  
programadas 17  
pistas de forma repetida 13  
un CD 4  
una cinta 8  
Reproducción aleatoria 14  
Reproducción programada 15  
Reproducción repetida 13  
Reproductor de CD 12

## S

Selección  
énfasis de audio 18  
pistas 5  
Selección de la fuente de  
alimentación 24  
Solución de problemas 27

## T

Temporizador  
Activación automática de  
la unidad 20  
Desactivación automática  
de la unidad 21  
Uso del temporizador de  
cuenta atrás 22  
Temporizador de cuenta atrás  
22

## U

Utilización del visor 12

## V, W, X, Y, Z

Visor 12



## Free Manuals Download Website

<http://myh66.com>

<http://usermanuals.us>

<http://www.somanuals.com>

<http://www.4manuals.cc>

<http://www.manual-lib.com>

<http://www.404manual.com>

<http://www.luxmanual.com>

<http://aubethermostatmanual.com>

Golf course search by state

<http://golfingnear.com>

Email search by domain

<http://emailbydomain.com>

Auto manuals search

<http://auto.somanuals.com>

TV manuals search

<http://tv.somanuals.com>