

Introduction

The CRXP-90MU has the following features:

- Comes equipped with a “Memory Stick” slot.
- Features **Power-Burn** technology to prevent buffer under-run errors.
- Can write CD-R discs at a speed of up to 24x.
- Can write CD-RW discs at a speed of up to 10x.
- Can read CD-ROM discs at a speed of up to 24x.
- Can read DVD-ROM discs at a speed of up to 8x.
- Has a compact, lightweight design for portability.
- Includes a compact, lightweight AC adapter that is compatible with power supply voltages from 100 to 240 V.
- Provided with a USB 2.0 interface cable.
- When connected to a system supporting USB 2.0, provides full-performance read speeds of up to 24x (3600 KB/s).

Required System Configuration

The CRXP-90MU can be used with a personal computer with the following specifications:

Windows PC

- CPU: Pentium II 400 MHz or faster
- RAM: At least 64 MB
- Hard disk space: 1 GB or more
- OS: Windows 98 Second Edition (Windows 98 SE), Windows 2000 Professional (Windows 2000), Windows Millennium (Windows Me), or Windows XP Home Edition or Professional (Windows XP)
- Computer with a USB connector
- Computer must have a CD-ROM drive or be capable of connection to the Internet. (Used for installing driver software with Windows 98 SE or Windows 2000.)

Macintosh

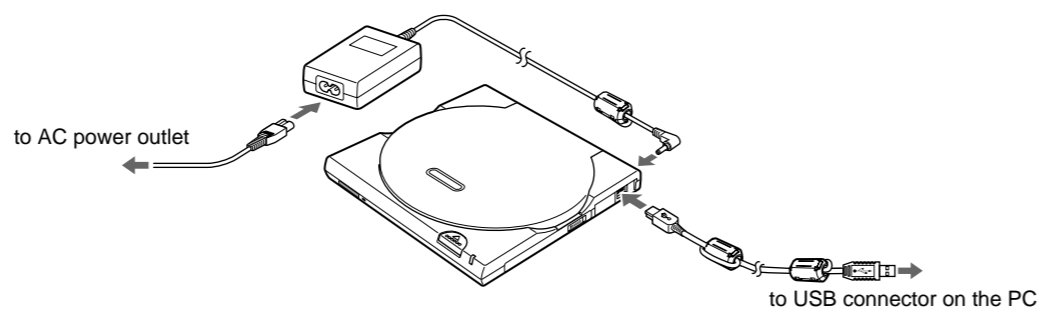
- PowerMac G3, G4, G4 Cube, iMac, iBook, PowerBook G3, G4
- Mac OS 9.0.4, 9.1, 9.2.1
- At least 64 MB RAM
- Macintosh with built in USB connector

CAUTION

- The required system configuration is designed to provide the basic capability to write CD-R and CD-RW discs. In order to actually use the CRXP-90MU, it is necessary to satisfy not only the system requirements described here, but also the system requirements that are specified for the writer software. (The system requirements for writer software usually exceed the system requirements described here.) Refer to your Software User’s guides for details.
- system meeting the following requirements is needed in order to use USB 2.0 operation with this drive.
 - USB cable conforming to USB 2.0 (supplied with this drive)
 - Computer that is equipped with a USB 2.0-compliant USB connector or PCI adapter card¹⁾, and on which the USB 2.0 EHCI driver software²⁾ has been installed.
 - ¹⁾ Recommended Product: Adaptec “USB2connect” card (AUA-3100LP)
 - ²⁾ The USB 2.0 EHCI driver software is supplied with currently available PCI adapter cards that conform to USB 2.0. Further, Microsoft has released the USB 2.0 EHCI driver software for Windows XP, therefore it is also possible to use this driver software with Windows XP.³⁾
 - ³⁾ For details, contact your USB 2.0 adapter dealer or consult the Microsoft Corporation Web site.
- When connected to a product that conforms to the earlier USB 1.1 standard, the drive operates at the fastest transfer speed allowed under USB 1.1.
- Macintosh supports USB1.1 only. (As of April 2002)

Connecting the Drive to a Personal Computer

Connect the drive to a personal computer as shown in the illustration below.



CAUTION

- Be sure to read the Quick Start Guide before connecting the CRXP-90MU to the computer the first time.
- Use only the supplied AC adapter and power cord for connections.

Precautions for USB Connections

Connect the CRXP-90MU directly to a USB port on the computer. Operation through a hub (including keyboard USB hubs) cannot be guaranteed.

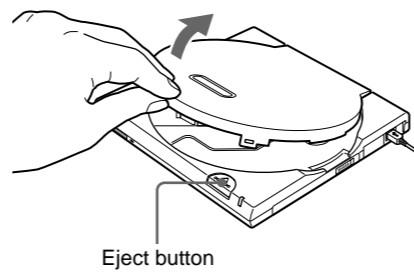
Using the CRXP-90MU with Windows

Once the CRXP-90MU has been set up, the USB cable can be connected and removed while the CRXP-90MU and computer remain turned on. However, for Windows, we recommend clicking or on the task bar and allowing the CRXP-90MU to stop before removing the cable.

Loading and Ejecting Discs

Loading a Disc

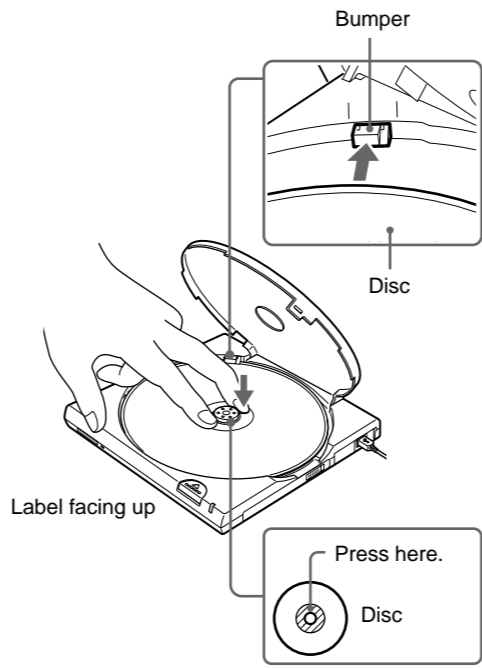
- Press the eject button to open the top cover. The top cover will open slightly by itself. Lift it all of the way open manually.



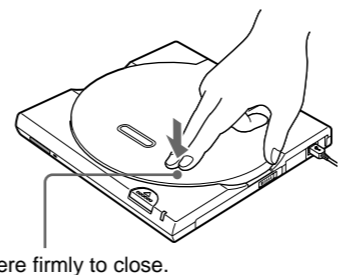
- Load a disc. Push down on the center of the disc until the disc clicks into place. Do not press too hard. Also, be careful not to touch the lens or any other optical parts in the drive.

CAUTION

When loading a disc, press the disc’s edge against the side of the spring-loaded bumper inside the disc compartment. Make sure that the disc’s recording surface does not sit on top of the bumper before closing the drive cover.



- Close the top cover. You can now access the data on the disc.

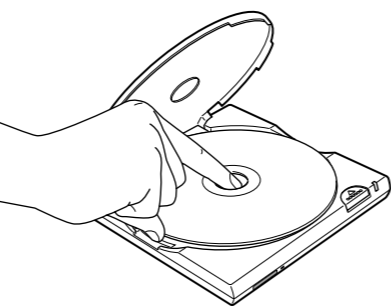


Ejecting a Disc

- Press the eject button to open the top cover. The top cover will open slightly by itself. You can then manually lift it until it opens fully.
- Remove the disc. Hold one finger against the edge of the disc from the side of the CRXP-90MU, and press another finger against the protrusion in the center of the drive to remove the disc.

CAUTION

- Make sure that the disc has stopped spinning before removing the disc.
- Do not open the top cover while the CD/DVD busy indicator is orange. Doing so may cause the computer to freeze up.



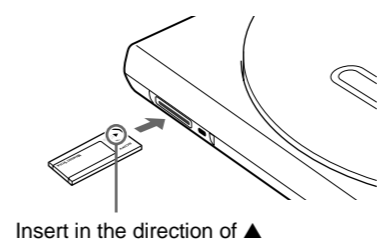
Inserting and Removing “Memory Stick”

Inserting “Memory Stick”

- Push “Memory Stick” into the “Memory Stick” slot until it is fully inserted. Insert “Memory Stick” until you hear a click.

CAUTION

Be careful in what direction “Memory Stick” is inserted. Inserting “Memory Stick” in the wrong direction may cause damage to the “Memory Stick” slot and/or “Memory Stick”.

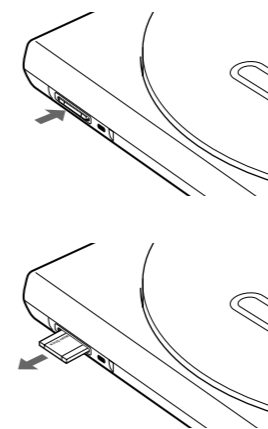


Removing “Memory Stick”

CAUTION

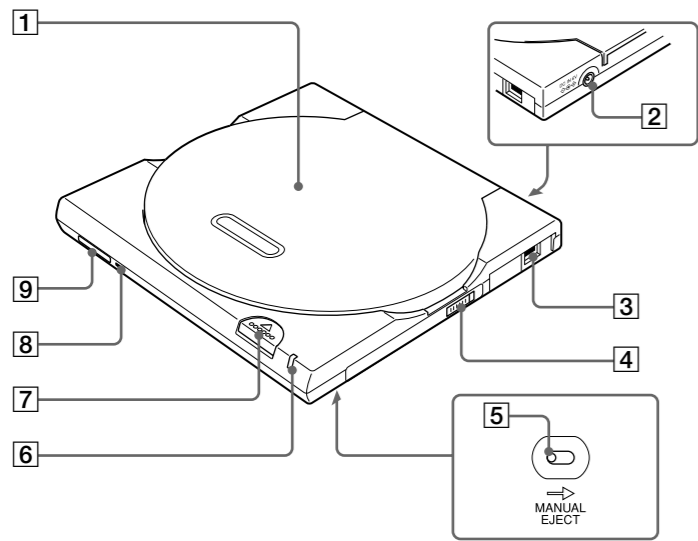
Do not remove “Memory Stick” when the “Memory Stick” busy indicator is lit. Doing so may cause loss of data on “Memory Stick”.

- Make sure that the “Memory Stick” busy indicator is off, and then push “Memory Stick”.
- Move your hand away and remove “Memory Stick”. When you move your hand away, “Memory Stick” partially comes out so that you can remove it.



Names and Functions of Parts

Main unit



1 Top Cover

- Power Jack (rear of unit)** Connect the AC adapter (provided) here.

CAUTION

Never connect any AC adapter other than the one that was provided with the CRXP-90MU.

3 USB Connector

- Connect the USB cable (provided) here.

4 Power Switch

- Use this switch to turn the CRXP-90MU on and off.

5 Manual Eject Lever (bottom of unit)

- When the CRXP-90MU is off, push this lever in the direction indicated by the arrow to open the top cover.

6 CD/DVD Busy Indicator

- When the CRXP-90MU is turned on, the indicator lights green. When the CD/DVD drive is in use, the indicator lights orange.

7 Eject Button

- Press this button to open the top cover.

Important

The CRXP-90MU is equipped with an electronically powered eject mechanism in order to prevent the top cover from being opened accidentally while the drive is in operation. As a result, if the drive is off, pressing the eject button will not open the top cover. Furthermore, even when the power is on, depending on the status of the application that is currently running, the top cover might not open for one second or longer after the eject button is pressed.

If the top cover does not open when the eject button is pressed (unless the drive is currently writing a disc), press the manual eject lever (located on the bottom of the drive) in the direction indicated by the arrow to open the top cover.

8 “Memory Stick” Busy Indicator

- When reading or writing data on “Memory Stick”, the indicator lights orange.

9 “Memory Stick” Slot

- Insert “Memory Stick” here.

Portable CD-RW/DVD-ROM Drive with “Memory Stick” slot

User’s Guide



CRXP-90MU

© 2002 Sony Corporation



Printed in Malaysia

English

Please refer to this manual together with the “USB Interface Drive User’s Guide” in the attached Software Disc, which carries more detailed information.

Français

Reportez-vous au présent manuel ainsi qu’au document intitulé “Lecteur d’interface USB-Guide de l’utilisateur” contenu sur le disque du logiciel accompagnant ce produit pour plus de détails.

Deutsch

Einzelheiten entnehmen Sie bitte diesem Handbuch sowie der “Laufwerk mit USB-Schnittstelle-Anwenderanleitung” auf der mitgelieferten Software-Disc.

Español

Consulte este manual junto con la “Unidad de interfaz USB-Guía del usuario” del disco de software suministrado, que contiene información más detallada.

Italiano

Fare riferimento al presente manuale insieme a “Guida dell’utente dell’unità disco con interfaccia USB” nel disco del software allegato, nel quale sono contenute informazioni più dettagliate.

Português

Consulte este manual juntamente com o “Guia do Utilizador do Drive de Interface USB” incluído no disco de software fornecido, para obter informações mais detalhadas.

Nederlands

Raadpleeg deze handleiding alsook de “USB Station-interface Gebruikershandleiding” op de bijgevoegde Software Disc, die meer gedetailleerde informatie bevat.

Svenska

Förutom denna bruksanvisning finns mer information i “Brukanvisning för enhet med USB gränssnitt” på den medföljande programskivan.

中文繁體

請參考本使用說明書及隨同軟體光碟一起提供的載有更多資訊的 “USB界面驅動器用戶指南”。

中文简体

请参考本使用说明书及随同软件光盘一起提供的载有更多信息的 “USB接口驱动器用户指南”。

한국

자세한 내용은 본 사용설명서와 함께 부속된 소프트웨어 디스크의 “USB인터페이스 드라이브 사용자 가이드” 도 참조하여 주십시오.

DVD-VIDEO Playback and Region Codes (Region Numbers)

The playing of DVD-VIDEO (DVD discs) is protected and controlled by a region code* setting.

* Region Playback Control standard (RPC standard)

DVD-VIDEO Playback and Region Codes with the CRXP-90MU
<p>With the CRXP-90MU, the region code can be set up to five times, including the initial assignment (RPC Phase 2 standard). The CRXP-90MU region code is set by the DVD-VIDEO playback software.</p>

Important

After setting the region code five times (including the initial setting), the setting becomes permanent and cannot be changed. Thereafter, you will only be able to play DVD-VIDEOS whose region code matches that set the fifth time.

About “Memory Stick”

Using “Memory Stick”

You can read data from and write data to “Memory Stick” using Windows or Macintosh usual file operations.

If an error message appears

If an error occurs when reading or writing to “Memory Stick”, and that a blue screen appears with a message indicating that data may be lost, “Memory Stick” may be write-protected. In this case, slide the write-protect switch as illustrated below to remove the protection. No data is erased from “Memory Stick” if this occurs.

CAUTION

- “Memory Stick” are formatted at the time of manufacture. There is no need to reformat them. Formatting “Memory Stick” with your computer may cause access problems when inserting it into other “Memory Stick” compatible device.
- To use “Memory Stick” formatted with a computer, reformat it with a “Memory Stick” compatible device.
- Other “Memory Stick” compatible devices require the “MemoryStick.ind” file on “Memory Stick”. Do not erase this file.
- Do not attempt to defragment or compress the “Memory Stick” drive.

Protecting Data on “Memory Stick”

To prevent accidental loss of important data, use the write-protect switch on “Memory Stick”. Slide the switch to the write-protect or write-enable position.

Write-enable position

Slide the switch left to the write-enable position. You can read, write, and delete data on “Memory Stick” Formatting “Memory Stick” is also possible. When you want to write data on “Memory Stick”, slide the switch to the write-enable position.

In order for the DVD-ROM drive to play a DVD-VIDEO, the region code shown on the DVD disc, the region code of the DVD-ROM drive, and the DVD video software region code must all match.

DVD-VIDEO Playback and Region Codes with the CRXP-90MU
<p>With the CRXP-90MU, the region code can be set up to five times, including the initial assignment (RPC Phase 2 standard). The CRXP-90MU region code is set by the DVD-VIDEO playback software.</p>
<p>CAUTION</p> <p>Do not attempt to make unauthorized changes to the region code. Any problems that result from doing so will not be covered by the warranty.</p>
<p>Points to Consider when Playing DVD-VIDEOS</p> <p>The playback conditions for DVD-VIDEOS are sometimes determined by software makers. Since the CRXP-90MU plays back discs as determined by the software manufacturer, some drive functions may not always work as expected. When playing back DVD-VIDEOS, refer to the instructions accompanying each disc.</p>

About “Memory Stick”

Using “Memory Stick”

You can read data from and write data to “Memory Stick” using Windows or Macintosh usual file operations.

If an error message appears

If an error occurs when reading or writing to “Memory Stick”, and that a blue screen appears with a message indicating that data may be lost, “Memory Stick” may be write-protected. In this case, slide the write-protect switch as illustrated below to remove the protection. No data is erased from “Memory Stick” if this occurs.

CAUTION

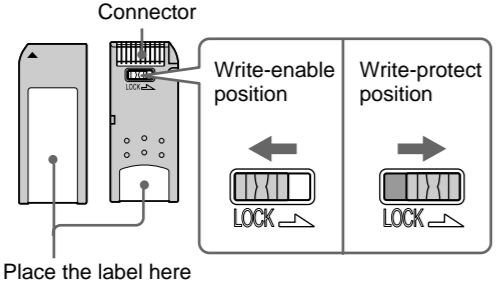
- “Memory Stick” are formatted at the time of manufacture. There is no need to reformat them. Formatting “Memory Stick” with your computer may cause access problems when inserting it into other “Memory Stick” compatible device.
- To use “Memory Stick” formatted with a computer, reformat it with a “Memory Stick” compatible device.
- Other “Memory Stick” compatible devices require the “MemoryStick.ind” file on “Memory Stick”. Do not erase this file.
- Do not attempt to defragment or compress the “Memory Stick” drive.

Protecting Data on “Memory Stick”

To prevent accidental loss of important data, use the write-protect switch on “Memory Stick”. Slide the switch to the write-protect or write-enable position.

Write-enable position

Slide the switch left to the write-enable position. You can read, write, and delete data on “Memory Stick” Formatting “Memory Stick” is also possible. When you want to write data on “Memory Stick”, slide the switch to the write-enable position.



Place the label here

“Memory Stick”

“Memory Stick” is a new generation of small, light, high-capacity removable storage media.

There are two types of “Memory Stick”: the ordinary “Memory Stick” and “MagicGate* Memory Stick”. You can use both types with the CRXP-90MU. However, because the CRXP-90MU does not support the MagicGate standards, data recorded with the CRXP-90MU is not subject to MagicGate copyright protection.

* MagicGate is a coding method that allows copyright protection.

CAUTION

- When attaching a label to “Memory Stick”, only use “Memory Stick” labels. Do not use other types of labels.
- When storing or carrying “Memory Stick”, keep it in its original case.
- Avoid touching the connector or making it come in contact with metallic objects.
- Do not drop, bend, or submit “Memory Stick” to external shock.
- Do not disassemble or modify “Memory Stick”.
- Avoid dropping liquids on “Memory Stick”.

Product and Support Information

Sony Global Sites Information
<p>Products purchased in USA:* http://www.sony.com/storagesupport</p>
<p>Products purchased in Canada: http://www.sony.ca/</p>
<p>Products purchased in Australia or New Zealand: http://www.sony.com.au</p>
<p>Products purchased in Europe:* http://www.sonyisstorage.com/support</p>
<p>Products purchased in Hong Kong:* http://www.sony.com.hk/Electronics/cp</p>
<p>Products purchased in China:* http://www.sony.com.cn/Electronics/edmh</p>
<p>Products Purchase in Singapore: http://www.sony.com.sg/asianit/</p>
<p>Products purchased in Taiwan:* http://www.sony.com.tw/stwn/cpd/index.htm</p>
<p>Products purchased in Korea:* http://www.sony.co.kr/cp</p>
<p>Products purchased in Brazil: http://www.sonybrasil.com.br</p>
<p>Products purchased in Middle East & Gulf: http://www.sony-middleeast.com</p>
<p>* Local web sites for computer peripheral products</p>

Products purchased in Europe:* http://www.sonyisstorage.com/support

Products purchased in Australia or New Zealand: http://www.sony.com.au

Products purchased in Europe:* http://www.sonyisstorage.com/support

Products purchased in Hong Kong:* http://www.sony.com.hk/Electronics/cp

Products purchased in China:* http://www.sony.com.cn/Electronics/edmh

Products Purchase in Singapore: http://www.sony.com.sg/asianit/

Products purchased in Taiwan:* http://www.sony.com.tw/stwn/cpd/index.htm

Products purchased in Korea:* http://www.sony.co.kr/cp

Products purchased in Brazil: http://www.sonybrasil.com.br

Products purchased in Middle East & Gulf: http://www.sony-middleeast.com

About the Bundled Writing Software
Detailed information about the supplied writing software is available on the web sites of the software manufacturers and software distributors.

Customer Services for Media Products
Sony Electronics Inc., New Jersey, U.S.A.
Sony of Canada Ltd., Ontario, Canada
http://www.mediabysony.com/

Sony France S.A. Customer Service
40465 Pontonx sur l’Adour France
http://www.sony-europe.com/

Warranty Card & After Sales Service
<p>Warranty Card</p>
<p>• A warranty card should be provided with this product at the place of purchase.</p> <p>• Please read the warranty card, fill in the specified information, and retain it for future reference.</p>
<p>Note</p> <p>The warranty and technical support service are valid only in the countries or sales regions specified on the warranty card.</p>

After-Sales Service

• A warranty card should be provided with this product at the place of purchase.

• Please read the warranty card, fill in the specified information, and retain it for future reference.

After-Sales Service

Repairs under Warranty

We provide repair services as described in this manual and on the Warranty Card. Please contact your supplier or repair service provider for details.

Repairs outside of Warranty

If operation can be restored by repair, we will repair the drive for a charge.

Technical Support
<p>Please consult the above sources before calling with questions about using CRXP-90MU, or with technical questions about the drive or the supplied software. If using telephone or email support, please have the following information available:</p>
<ul style="list-style-type: none">• Model number: CRXP-90MU • Serial number • Date and place of purchase • Computer maker and model number • Computer specifications (CPU speed, memory size, OS version, etc.) • Writer software used (version, etc.)

Please consult the above sources before calling with questions about using CRXP-90MU, or with technical questions about the drive or the supplied software. If using telephone or email support, please have the following information available:

- **Model number: CRXP-90MU**
- **Serial number**
- **Date and place of purchase**
- **Computer maker and model number**
- **Computer specifications (CPU speed, memory size, OS version, etc.)**
- **Writer software used (version, etc.)**

Local technical support service is available in the following sales regions:

For products purchased in USA (Sony Electronics Inc):
Monday to Saturday 8:00 a.m. - 8:00 p.m. CT
• Toll Free: 1-800-588-3847

• Free telephone support is offered for 90 days from your first call.

For products purchased in Canada (Sony of Canada Limited):
Monday to Friday 8:00 a.m. - 8:00 p.m. EST
• Toll Free: 1-800-961-7669
• E-mail Address: it_help@sony.ca

For products purchased in Australia or New Zealand (Sony Australia Limited):
Monday to Friday 8:30 a.m. - 7:00 p.m. EST
• Toll Free: 1300-13-7669
• International: +61-2-9887-6666

For products purchased in Europe (Sony UK Limited):
Monday to Friday 8:00 a.m. - 9:00 p.m
• Toll Free: 00800-CNCESONY (00800-26237669)
• E-mail Address: Helpdesk@SonyNordic.no (For Nordic regions)
CNCE.SONY@suplie.com (For other European regions)

Main Specifications

Speed	
Write speed	
24× maximum (CD-R)	
10× maximum (CD-RW)	
Read speed	
24× maximum (CD-ROM)	
8× maximum (DVD-ROM)	
Discs	
Compatible discs	
CD-ROM	DVD-ROM
CD-ROM XA	DVD-Video
Photo CD	CD-DA
CD-R	CD-RW
Video CD	CD Extra (CD+)
CD TEXT	
Disc diameter: 12 cm	8 cm (CD-DA reading only)

Writing methods
Track at once
Disc at once
Session at once
Fixed packet writing
Drive
Data transfer rate
Maximum: 10800 KB/s (DVD-ROM 8× ¹⁾)
Access time
Average (random stroke): 160 ms
¹⁾ The maximum data transfer rate varies according to the performance capabilities of the computer.

Buffer underrun error protection
Power-Burn technology
Operating Environment/Storage Environment
Operating temperature
5°C to 35°C

Safety Regulations

WARNING

You are cautioned that any changes or modifications not expressly approved in this manual could void your authority to operate this equipment.

To prevent fire or shock hazard, do not expose the unit to rain or moisture.

To avoid electrical shock, do not open the cabinet. Refer servicing to qualified personnel only.

CAUTION:

As the laser beam in this CRXP-90MU is harmful to the eyes, do not attempt to disassemble the cabinet. Refer servicing to qualified personnel only.
The use of optical instruments with this product will increase eye hazard.
The use of controls or adjustments or performance of procedures other than those specified herein may result in hazardous radiation exposure.

This label is located on the disc tray and inside the bottom cover.
Dieses Etikett befindet sich auf der CD-Schublade und auf der Innenseite der unteren Abdeckung.



This CRXP-90MU is classified as a CLASS 1 LASER PRODUCT. The CLASS 1 LASER PRODUCT label is located on the bottom cover.

Bei diesem CRXP-90MU handelt es sich um ein Laser-Produkt der Klasse 1. Das Etikett mit der Aufschrift LASER KLASSE 1 PRODUKT befindet sich auf der Unterseite des Gehäuses.

CLASS 1 LASER PRODUCT	LUOKAN 1 LASERLAITE
LASER KLASSE 1 PRODUKT	KLASS 1 LASER APPARAT

DANGER	VISIBLE AND INVISIBLE LASER RADIATION WHEN OPEN. AVOID DIRECT EXPOSURE TO BEAM.
ATTENTION	RAYONNEMENT VISIBLE ET INVISIBLE EN CAS D'OUVERTURE. EXPOSITION DANGEREUSE AU FAISCEAU.
VORSICHT	SICHTBARE UND UNSICHTBARE LASERSTRAHLUNG, WENN ABDECKUNG GEÖFFNET. NICHT DEM STRAHL AUSSETZEN.
ADVARSEL	SYNLIG OG USYNLIG LASERSTRÅLING VED ÅBNING, UNGDÅ UDSÆTTELSE FOR STRÅLING.
ADVARSEL	SYNLIG OG USYNLIG LASERSTRÅLING NÅR DEKSEL ÅPNES. UNGÅ EKSPONERING FOR STRÅLEN.
VARNING	SYNLIG OCH OSYNLIG LASERSTRÅLNING NÅR DENNA DEL ÄR ÖPPNAD. STRÅLEN ÄR FARLIG.
VARO!	NÄKYVÄÄ JA NÄKYMÄTÖN AVATTAESSA OLET ALTTIINA LASERSÄTEILYLLE, ÄLÄ KATSO SÄTEESEN.

FCC Compliance:

This equipment has been tested and found to comply with the limits for a Class B digital device, pursuant to Part 15 of the FCC Rules. These limits are designed to provide reasonable protection against harmful interference in a residential installation. This equipment generates, uses, and can radiate radio frequency energy and, if not installed and used in accordance with the instructions, may cause harmful interference to radio communications. However, there is no guarantee that interference will not occur in a particular installation. If this equipment does cause harmful interference to radio or television reception, which can be determined by turning the equipment off and on, the user is encouraged to try to correct the interference by one or more of the following measures:

- Reorient or relocate the receiving antenna.
- Increase the separation between the equipment and receiver.
- Connect the equipment into an outlet on a circuit different from that to which the receiver is connected.
- Consult the dealer or an experienced radio/TV technician for help.

Note:

If you have any questions about this product, you may call the telephone number listed on the “Product and Support Information” page. The telephone number below is not for customer service but only for official purpose.

	Declaration of Conformity
Trade Name:	SONY
Model No.:	CRXP-90MU
Responsible Party:	Sony Electronics Inc.
Address:	680 Kinderkamack Road, Oradell, NJ 07649 USA
Telephone No.:	201-930-6972
This device complies with Part 15 of the FCC Rules. Operation is subject to the following two conditions: (1) This device may not cause harmful interference, and (2) This device must accept any interference received, including interference that may cause undesired operation.	


이 기기는 가정용으로 전자파 적합등록을 한 기기로서 주거지역에서는 물론 모든 지역에서 사용할 수 있습니다.

기기의 명칭 (모델명) : CRXP-90MU
인증받은자의 상호 : SONY KOREA
제조년월일 : 별도표시
제조사/제조국가 : SONY/MALAYSIA

CE Sicherheitsbestimmungen
Diese Ausrüstung erfüllt die Europäischen EMC-Bestimmungen für die Verwendung in folgender / folgenden Umgebung(en):
•Wohngegenden
•Gewerbegebiete
•Leichtindustriegebiete
(Diese Ausführung erfüllt die Bestimmungen der Norm EN55022, Klasse B.)

CAUTION
The mains plug on this equipment must be used to disconnect mains power. Please ensure that the socket outlet is installed near the equipment and shall be easily accessible.

Achtung
Zur Trennung vom Netz ist der Netzstecker aus der Steckdose zu ziehen, welche sich in der Nähe des Gerätes befinden muß und leicht zugänglich sein soll.

- Power-Burn, and **Power-Burn** are trademarks of Sony Corporation.
- “Memory Stick”, and  are trademarks of Sony Corporation.
- Microsoft, MS, MS-DOS and Windows are registered trademarks of Microsoft Corporation.
- Macintosh and Mac OS are registered trademarks of Apple Computer Inc.
- Other system and product names used herein are registered trademarks or trademarks of their respective manufacturers, although the™ and ®marks are not used in the text.

Before using this device, be sure to read the end users license agreements for the software provided with your computer.

<input type="checkbox"/> Our product guarantee is valid only when the supplied accessories (including software) are used in the specified or recommended system environment, in accordance with this Users Guide, and applies only to this CD-RW/DVD-ROM drive. Our customer service and user support apply only under these product guarantee conditions.
<input type="checkbox"/> Please note that we cannot accept responsibility for failure of the computer or other devices, incompatibility with special hardware, operating problems caused by improper installation of software, loss of data, discs or other accidental or incidental damage that might occur when using this product.
<input type="checkbox"/> The guarantee and user support for this product are valid only within the countries or sales regions specified on the warranty card.
<input type="checkbox"/> Copyright laws prohibit the copying of all or part of the supplied software and Users Guide, or loaning the software, without obtaining permission of the copyright holder.
<input type="checkbox"/> We cannot accept responsibility for any direct or indirect financial damage or loss of profit that might occur when using the supplied software.
<input type="checkbox"/> The supplied software can only be used with this product.
<input type="checkbox"/> Specifications of the supplied software may be changed without notice in the interest in product improvement.

Please Record Responsibly
Before copying anything onto a CD-R or CD-RW disc, please be sure you are not violating copyright laws. Most software companies allow you to make a back-up or archive copy of software. Check your software’s license agreement for specific details.

Free Manuals Download Website

<http://myh66.com>

<http://usermanuals.us>

<http://www.somanuals.com>

<http://www.4manuals.cc>

<http://www.manual-lib.com>

<http://www.404manual.com>

<http://www.luxmanual.com>

<http://aubethermostatmanual.com>

Golf course search by state

<http://golfingnear.com>

Email search by domain

<http://emailbydomain.com>

Auto manuals search

<http://auto.somanuals.com>

TV manuals search

<http://tv.somanuals.com>