

## Owner's Record

The model and serial numbers are located on the top of the drive. Record the serial number in the space provided below.

Refer to them whenever you call upon your Sony dealer regarding this product.

Model No. SMO-F551

Serial No. \_\_\_\_\_

## Information

You are cautioned that any changes or modifications not expressly approved in this manual could void your authority to operate this equipment.

### WARNING

**To prevent fire or shock hazard, do not expose the unit to rain or moisture.**

**To avoid electrical shock, do not open the cabinet. Refer servicing to qualified personnel only.**

### CAUTION

As the laser beam used in the SMO-F551 is harmful to the eyes, do not attempt to disassemble the unit.

Refer servicing to qualified personnel only.

The use of optical instruments with this product will increase eye hazard.

The use of controls or adjustments or performance of procedures other than those specified herein may result in hazardous radiation.

DANGER LASER RADIATION WHEN OPEN. AVOID DIRECT EXPOSURE TO BEAM.

DANGER RADIATIONS DU LASER EN CAS D'OUVERTURE. EVITER TOUTE EXPOSITION DIRECTE AU FAISCEAU.

VORSICHT LASERSTRAHLUNG. WENN ABDECKUNG GEÖFFNET. NICHT DEM STRAHL AUSSETZEN.

This label is located on the drive unit's internal chassis.

Dieses Etikett befindet sich auf dem inneren Chassis des Laufwerkes.

This MO drive is classified as a CLASS 1 LASER PRODUCT.

CLASS 1  
LASER PRODUCT

LASER KLASSE 1  
PRODUKT

This label is located on the top of the drive unit enclosure.

Dieses Etikett befindet sich auf der Oberseite des Laufwerksgehäuses.

DANGER LASER RADIATION WHEN OPEN. AVOID DIRECT EXPOSURE TO BEAM.

DANGER RADIATIONS DU LASER EN CAS D'OUVERTURE. EVITER TOUTE EXPOSITION DIRECTE AU FAISCEAU.

VORSICHT LASERSTRAHLUNG. WENN ABDECKUNG GEÖFFNET. NICHT DEM STRAHL AUSSETZEN.

ADVARSSEL LASERSTRÅLING VED ÅBNING. UNDGÅ UDSÆTTELSE FOR STRÅLING.

ADVARSSEL LASERSTRÅLING NÅR DEKSEL ÅPNES. UNNGÅ EKSPONERING FOR STRÅLEN.

VARNING LASERSTRÅLING NÅR DENNA DEL ÅR ÖPPNAD. STRÅLEN ÅR FARLIG.

VARO! AVATTAESSA OLET ALTTIINA LASERSÄTEILYLLE. ÄLÄ KATSO SÄTEESSEN.

LUOKAN 1 LASERLAITE

KLASS 1 LASER APPARAT

### VAROITUS!

Laitteen käyttäminen muulla kuin tässä käyttöohjeessa mainitulla tavalla saattaa altistaa käyttäjän turvallisuusluokan 1 ylittävälle näkymättömälle lasersäteilylle.

### WARNING

Om apparaten används på annat sätt än i denna bruksanvisning specificerats, kan användaren utsättas för osynlig laserstrålning, som överskrider gränsen för laserklass 1.

DANGER LASER RADIATION WHEN OPEN. AVOID DIRECT EXPOSURE TO BEAM.  
DANGER RADIATIONS DU LASER EN CAS D'OUVERTURE. EVITER TOUTE EXPOSITION DIRECTE AU FAISCEAU.  
VORSICHT LASERSTRAHLUNG. WENN ABDECKUNG GEÖFFNET. NICHT DEM STRAHL AUSSETZEN.  
ADVARSSEL LASERSTRÅLING VED ÅBNING. UNDGÅ UDSÆTTELSE FOR STRÅLING.  
ADVARSSEL LASERSTRÅLING NÅR DEKSEL ÅPNES. UNNGÅ EKSPONERING FOR STRÅLEN.  
VARNING LASERSTRÅLING NÅR DENNA DEL ÅR ÖPPNAD. STRÅLEN ÅR FARLIG.  
VARO! AVATTAESSA OLET ALTTIINA LASERSÄTEILYLLE. ÄLÄ KATSO SÄTEESSEN.

Denne merkelappen er festet på apparatets innside.

Denna varningsskylt finns inuti apparaten.

Denne mærkat sidder indeni apparatet.

Tmä tarra on kiinnitetty laitteen sisään.

## Tekniske Data

|                 |                       |
|-----------------|-----------------------|
| ■ <b>Laser</b>  |                       |
| Type            | Halveder GaAIAs laser |
| Bølgelengde     | 685 nm ± 10 nm        |
| Maksimum utgang | 30 mW                 |

## Specifikationer

|                  |                              |
|------------------|------------------------------|
| ■ <b>Laser</b>   |                              |
| Typ              | Halvledarlasar av typ GaAIAs |
| Våglängd         | 685 nm ± 10 nm               |
| Maximal uteffekt | 30 mW                        |

## Specifikationer

|                    |                             |
|--------------------|-----------------------------|
| ■ <b>Laser</b>     |                             |
| Type               | Halvlederlasar GaAIAs laser |
| Bølgelængde        | 685 nm ± 10 nm              |
| Max. udgangseffekt | 30 mW                       |

이 기기는 가정용으로 전자파 적합등록을 한 기기로서 주거지역에서는 물론 모든 지역에서 사용할 수 있습니다.

Diese Ausrüstung erfüllt die Europäischen EMC-Bestimmungen für die Verwendung in folgender / folgenden Umgebung(en):

- Wohngegenden
- Gewerbegebiete
- Leichtindustriegebiete

(Diese Ausrüstung erfüllt die Bestimmungen der Norm EN55022, Klasse B.)

## Safety Considerations

### ■ Power supply

- Be sure to use +5 V, +12 V DC.

## Damage Prevention

### ■ Do not subject the drive to shock or vibration

### ■ Location requirements

Careful consideration should be given to the following in selecting a site to install or store your drive.

Avoid the following conditions:

- High humidity
- High temperatures
- Direct sunlight
- Dust
- Strong vibration
- Wide temperature fluctuations

### ■ Moving the drive

Be sure to remove the disk cartridge when the drive is not being used. Also never move or transport the drive with the disk cartridge still inserted.

### ■ If problems occur

If any problems occur, turn off the power and unplug the drive, contact your dealer.

## Warning about Cleaning

In the drive, preventive measures are taken to guard against dust. It is unnecessary to clean the optical lens of your drive. Using a lens cleaning cartridge may damage the drive.

## Cooling Requirements

Forced-air cooling is required throughout the drive, preventing overheat of the drive mechanism and electrical components. Forced-air cooling must be provided as a system integration.

This maximum temperature is applicable to all operating conditions specified in this manual.

| Measuring Point | Maximum Temperature |
|-----------------|---------------------|
| Disk Cartridge  | 55 °C (131 °F)      |

**The temperature conditions specified in this manual must always be met for the SMO-F551 to function properly.**

# MO Disk Drive

## User's Guide

# SMO-F551

© 1998 by Sony Corporation Printed in Japan

# Specifications

## Operating environment

|                   |  |
|-------------------|--|
| Installation      | ±10°   |
| Temperature       |  |
| Operating         | 5 °C to 45 °C<br>(gradient 10° C/h or 18 °F/h) |
| Relative humidity |  |
| Operating         | 10 % to 90 % (no condensation)                 |

## Power supply and others

|              |  |
|--------------|--|
| Power supply | +5 V ±5%, 0.8 A (typ.)<br>+12 V ±5%, 0.9 A (typ.)        |
| Dimensions   | 41.3 × 146.0 × 203.0 mm (H×W×D)<br>(without Front Panel) |
| Weight       | 1.5 kg   |

Design and specifications are subject to change without notice.

## Compatible Media

SMO-F551 is compatible with the following 5 1/4 inch (130 mm) Magneto Optical Disks.

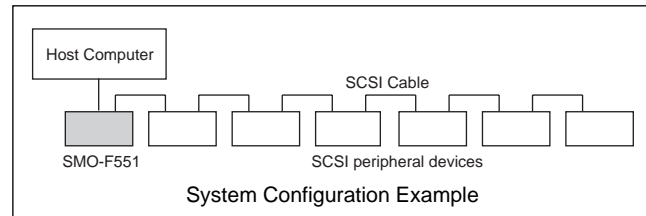
| Compatibility | Type |        | Description             | ISO Standard                     |
|---------------|------|--------|-------------------------|----------------------------------|
|               | Read | Write  |                         |                                  |
| ○             | ○    | 8× R/W | 5.2GB 2048 bytes/sector | ISO/IEC 15286<br>(working draft) |
| ○             | ○    | 8× R/W | 4.8GB 1024 bytes/sector |                                  |
| ○             | ○    | 8× R/W | 4.1GB 512 bytes/sector  |                                  |
| ○             | ○    | 8× WO  | 5.2GB 2048 bytes/sector |                                  |
| ○             | ○    | 8× WO  | 4.8GB 1024 bytes/sector | ISO/IEC 14517                    |
| ○             | ○    | 8× WO  | 4.1GB 512 bytes/sector  |                                  |
| ○             | ○    | 4× R/W | 2.6GB 1024 bytes/sector |                                  |
| ○             | ○    | 4× R/W | 2.3GB 512 bytes/sector  |                                  |
| ○             | ○    | 4× WO  | 2.6GB 1024 bytes/sector | ISO/IEC 13549                    |
| ○             | ○    | 4× WO  | 2.3GB 512 bytes/sector  |                                  |
| ○             | ○    | 4× DOW | 2.6GB 1024 bytes/sector |                                  |
| ○             | ○    | 4× DOW | 2.3GB 512 bytes/sector  |                                  |
| ○             | ×    | 2× R/W | 1.3GB 1024 bytes/sector | ISO/IEC 10089                    |
| ○             | ×    | 2× R/W | 1.2GB 512 bytes/sector  |                                  |
| ○             | ×    | 2× WO  | 1.3GB 1024 bytes/sector | ISO/IEC 11560                    |
| ○             | ×    | 2× WO  | 1.2GB 512 bytes/sector  |                                  |
| ○             | ×    | 1× R/W | 650MB 1024 bytes/sector | ISO/IEC 10089                    |
| ○             | ×    | 1× R/W | 594MB 512 bytes/sector  |                                  |
| ○             | ×    | 1× WO  | 650MB 1024 bytes/sector | ISO/IEC 11560                    |
| ○             | ×    | 1× WO  | 594MB 512 bytes/sector  |                                  |

W/R : Rewritable, WO : Write-Once, DOW : Direct Overwrite

# Configuration and Location of Parts

## System Configuration

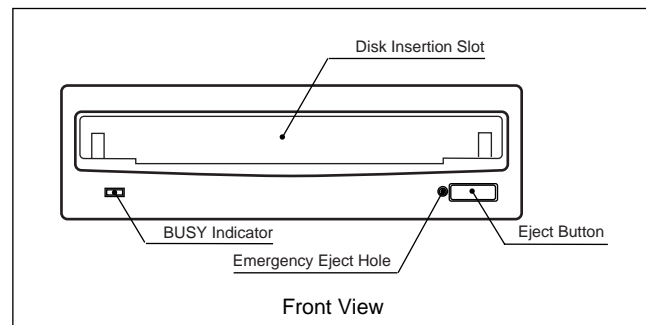
SMO-F551 is connected to a host computer through its SCSI interface. The maximum of seven peripheral devices can be linked as a daisy chain on the SCSI bus.



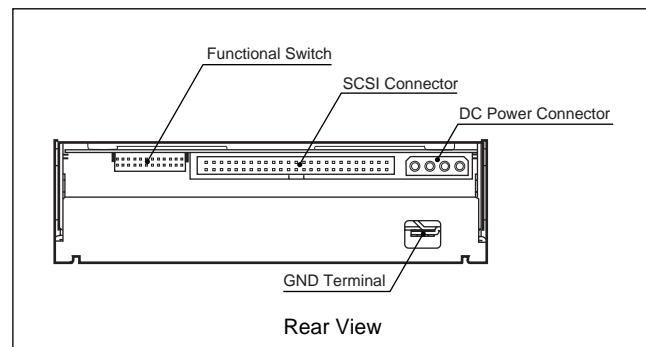
## Location of Parts

This section provides a general description of the SMO-F551 Magneto-Optical disk drive.

### Front Panel



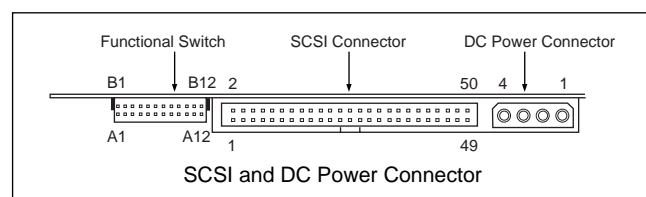
### Rear Panel



## SCSI and DC Power Connector

The SCSI and DC Power Connector is located at the upper rear of the drive. The drive uses a Molex 53450-5431 combination 50 pin SCSI and 4 pin DC Power male header.

Recommended female connectors:  
SCSI connector: 3M type number 7950-6500  
DC Power connector: AMP 1-480424-0 MATE-N-LOCK



# Switch setting and Assignments

## Functional Switch Connector Pin Assignments

|     |                                |      |                         |
|-----|--------------------------------|------|-------------------------|
| A1  | SCSI ID2                       | B1   | GND                     |
| A2  | SCSI ID1                       | B2   | GND                     |
| A3  | SCSI ID0                       | B3   | GND                     |
| A4  | Disable SCSI Parity            | B4   | GND                     |
| A5  | Disable Write Cache            | B5*  | Reserved                |
| A6  | Disable Auto Spin-up           | B6*  | Reserved                |
| A7  | Force Verify for Write command | B7*  | Reserved                |
| A8  | Disable Manual Eject           | B8*  | Reserved                |
| A9  | Enable Fast SCSI               | B9*  | Reserved                |
| A10 | Device Type                    | B10* | Reserved                |
| A11 | Enable Termination             | B11  | GND                     |
| A12 | Terminator Power               | B12  | Terminator Power Source |

\* This pin is NOT directly connected to the GND. Do not use this pin as GND. SMO-F551 drives the signal to GND level depending on the functional switch setting. Otherwise, the signal is not driven to GND level.

**WARNING: Write cache is enabled as default setting. The integrity of the buffer memory content is not guaranteed through power cycling.**

**Caution:** "Disable Write Cache" setting works as an "OR" function with the optional dip switch setting.

**Caution:** When the Fast SCSI function is used, it is recommended that the host system and SCSI cables should conform to the Fast SCSI.

## DC Power Connector Pin Assignments

| Pin Number | Description |
|------------|-------------|
| 1          | DC +12V     |
| 2          | +12V Return |
| 3          | +5V Return  |
| 4          | DC +5V      |

## Pin Assignments of SCSI Connector

| Signal Name | Pin No. | Signal Name  |
|-------------|---------|--------------|
| GND         | 1       | 2 DB0        |
| GND         | 3       | 4 DB1        |
| GND         | 5       | 6 DB2        |
| GND         | 7       | 8 DB3        |
| GND         | 9       | 10 DB4       |
| GND         | 11      | 12 DB5       |
| GND         | 13      | 14 DB6       |
| GND         | 15      | 16 DB7       |
| GND         | 17      | 18 DBP       |
| GND         | 19      | 20 GND       |
| GND         | 21      | 22 GND       |
| GND         | 23      | 24 GND       |
| OPEN        | 25      | 26 (TERM PW) |
| GND         | 27      | 28 GND       |
| GND         | 29      | 30 GND       |
| GND         | 31      | 32 ATN       |
| GND         | 33      | 34 GND       |
| GND         | 35      | 36 BSY       |
| GND         | 37      | 38 ACK       |
| GND         | 39      | 40 RST       |
| GND         | 41      | 42 MSG       |
| GND         | 43      | 44 SEL       |
| GND         | 45      | 46 C/D       |
| GND         | 47      | 48 REQ       |
| GND         | 49      | 50 I/O       |

The bar "—" above the signal indicates active low.

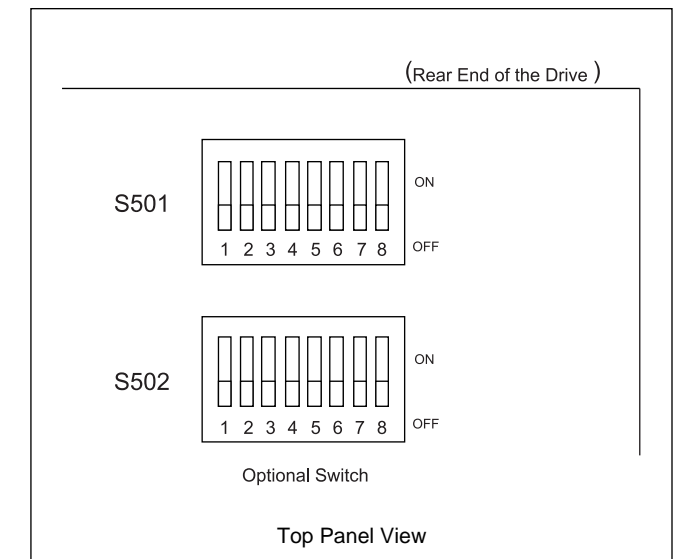
## SCSI Terminator

SMO-F551 features an internal SCSI bus terminator. When the drive is connected at the end of the SCSI chain, functional switch #11 (Enable Terminator) may be used to terminated the SCSI connection.

For a single ended cable, 50-signal conductor flat cable or a 25-signal twisted cable can be used. The cable length shall not exceed six meters.

## Optional Switch Setting

SMO-F551 features Optional Switch S501 and S502. These two optional dip switches allow the user to set the drive configurations.



## Optional Dip Switch Assignments

| Optional Switch | Switch Number | Description                                     |
|-----------------|---------------|---|
| S501            | 1             | Reserved  |
|                 | 2             | Reserved  |
|                 | 3             | Disable Command Eject                           |
|                 | 4             | Reserved  |
|                 | 5             | Reserved  |
|                 | 6             | Reserved  |
|                 | 7             | Disable Write Cache                             |
|                 | 8             | Disable Auto Spin-up                            |
| S502            | 1             | Reserved  |
|                 | 2             | Reserved  |
|                 | 3             | Reserved  |
|                 | 4             | Reserved  |
|                 | 5             | Disable SCAM Selection                          |
|                 | 6             | Reserved  |
|                 | 7             | Reserved  |
|                 | 8             | Enable Write Cache for Write and Verify Command |

## Free Manuals Download Website

<http://myh66.com>

<http://usermanuals.us>

<http://www.somanuals.com>

<http://www.4manuals.cc>

<http://www.manual-lib.com>

<http://www.404manual.com>

<http://www.luxmanual.com>

<http://aubethermostatmanual.com>

Golf course search by state

<http://golfingnear.com>

Email search by domain

<http://emailbydomain.com>

Auto manuals search

<http://auto.somanuals.com>

TV manuals search

<http://tv.somanuals.com>