

Digital Surround Processor

Operating Instructions _____ **GB**

Mode d'emploi _____ **F**

Manual de Instrucciones _____ **ES**

Manual de Instruções _____ **P**

SDP-EP90ES
SDP-EP70

WARNING

To prevent fire or shock hazard, do not expose the unit to rain or moisture.

To avoid electrical shock, do not open the cabinet. Refer servicing to qualified personnel only.

Do not install the appliance in a confined space, such as a bookcase or build-in cabinet.



Precautions

On safety

- Should any solid object or liquid fall into the cabinet, unplug the processor and have it checked by qualified personnel before operating it any further.

On power sources

- Before operating the processor, check that the operating voltage is identical with your local power supply. The operating voltage is indicated on the nameplate at the rear of the processor.
- This unit is not disconnected from the AC power source (mains) as long as it is connected to the wall outlet, even if the unit itself has been turned off.
- If you are not going to use the processor for a long time, be sure to disconnect the processor from the wall outlet. To disconnect the AC power cord, grasp the plug itself; never pull the cord.
- AC power cord must be changed only at the qualified service shop.

On placement

- Place the processor in a location with adequate ventilation to prevent heat buildup and prolong the life of the processor.
- Do not place the processor near heat sources, or in a place subject to direct sunlight, excessive dust or mechanical shock.
- Do not place anything on top of the cabinet that might block the ventilation holes and cause malfunctions.

On operation

- Before connecting other components, be sure to turn off and unplug the processor.

On cleaning

- Clean the cabinet, panel and controls with a soft cloth slightly moistened with a mild detergent solution. Do not use any type of abrasive pad, scouring powder or solvent such as alcohol or benzene.

If you have any question or problem concerning your processor, please consult your nearest Sony dealer.

About This Manual

Conventions

- The instructions in this manual describe the controls on the processor. You can also use the controls on the remote if they have the same or similar names as those on the processor.
- The following icons are used in this manual:



Indicates that you can use only the remote to do the task.



Indicates hints and tips for making the task easier.


This processor incorporates the Dolby Pro Logic Surround system. Manufactured under license from Dolby Laboratories Licensing Corporation. "Dolby," the double-D symbol , "AC-3" and "Pro Logic" are trademarks of Dolby Laboratories Licensing Corporation.

TABLE OF CONTENTS

Getting Started

- Unpacking 4
 - Hooking Up the System 4
 - Speaker Placement 7
 - Before You Use Your Processor 7
 - Speaker Set Up 8
-

Processor Operations

- Selecting a Component 11
 - Selecting a Surround Field 12
 - Digital Recording 14
 - Settings and Adjustments 15
 - Understanding the Display 20
-

Additional Information

- Troubleshooting 22
 - Specifications 23
 - Glossary 23
-

Front Panel Descriptions 24

Rear Panel Descriptions 24

Index 25


GB

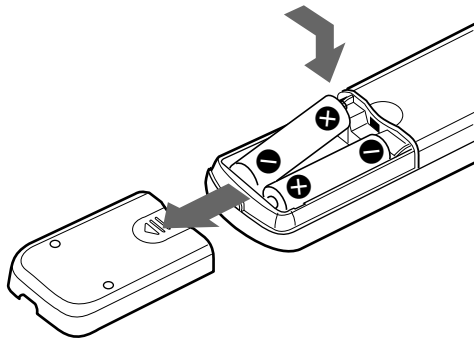
Unpacking

Check that you received the following items with the processor:

- Remote commander (remote) (1)
- Size AA (R6) batteries (2)
- Connecting cords (3)

Inserting batteries into the remote

Insert two size AA (R6) batteries with the + and – on the battery compartment. When using the remote, point it at the remote sensor  on the processor.



When to replace batteries

Under normal use, the batteries should last for about 6 months. When the remote no longer operates the processor, replace both batteries with new ones.

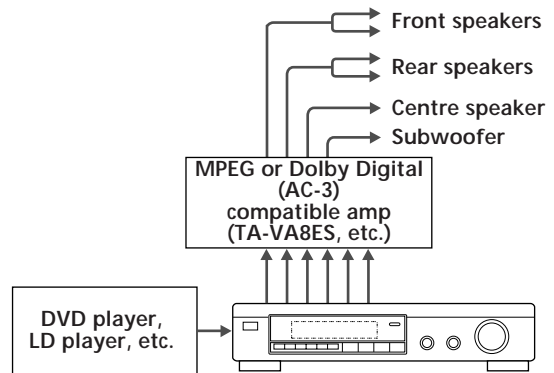
Notes

- Do not leave the remote in an extremely hot or humid place.
- Do not use a new battery with an old one.
- Do not expose the remote sensor to direct sunlight or lighting apparatuses. Doing so may cause a malfunction.
- If you don't use the remote for an extended period of time, remove the batteries to avoid possible damage from battery leakage and corrosion.

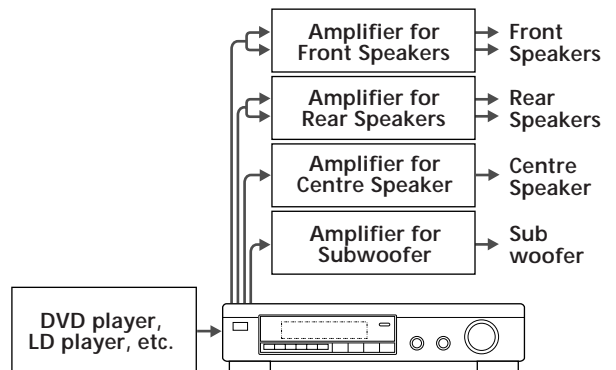
Hooking Up the System

The surround processor allows you to connect up to 5 digital audio (video) source components, such as a DVD player or LD player with an AC-3 RF output. The illustration at right describes how to make connections between your digital audio (video) source components the surround processor, and your multichannel amplifier.

- Connecting an amplifier with 5.1 ch inputs



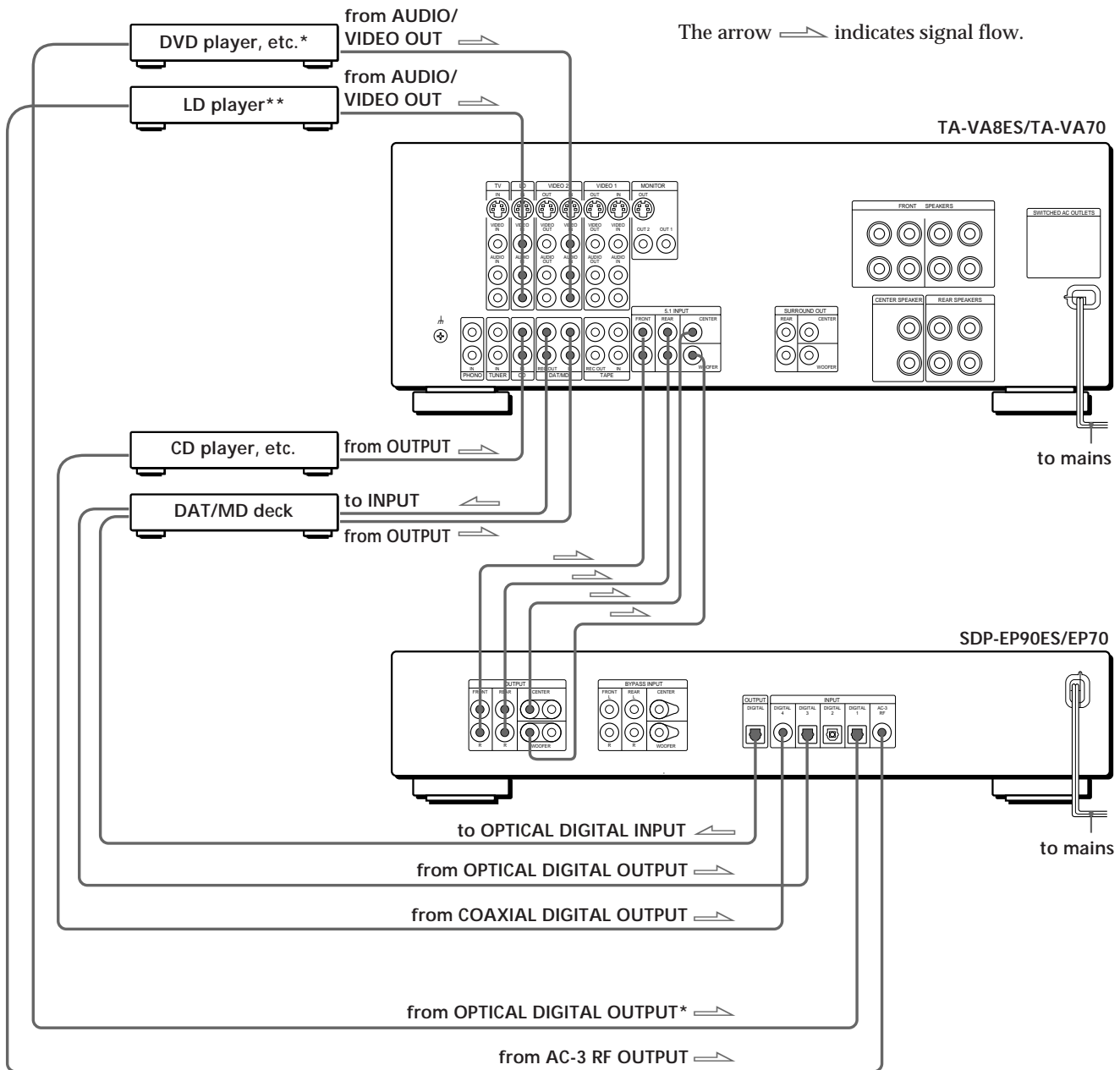
- Connecting separate amplifiers for each speaker



1 Connect the OUTPUT terminals of the surround processor to the front (left and right), rear (left and right) centre and sub woofer channel inputs on your amplifier (for TA-VA8ES/TA-VA70, connect the to the 5.1 INPUT terminals as shown on the following page).

2 Connect the digital audio outputs of each component to the appropriate terminals on the back of the surround processor. This unit's digital inputs detect MPEG, Dolby Digital (AC-3) or PCM signals automatically. The AC-3 RF input terminal for use with LD players is for Dolby Digital (AC-3) signals only.

Connecting an amplifier with 5.1 ch inputs (such as the Sony TA-VA8ES/TA-VA70, etc.)



Notes on connection

- Do not connect the mains lead to a mains or press the ① (POWER) switch before completing all connections.
- The cable connectors should be fully inserted into the jacks. Loose connection may cause hum and noise.
- Jacks and plugs of the connecting cords are color-coded as follows:

Yellow jacks and plugs: Video signal

Red jacks and plugs: Right audio channel

White jacks and plugs: Left audio channel

You can use either red or white cables to connect the centre speaker and sub woofer.

* If your DVD player has a COAXIAL DIGITAL OUTPUT, we recommend connecting the DVD player's COAXIAL DIGITAL OUTPUT to the this unit's DIGITAL INPUT 4 (COAXIAL IN) instead of making the optical connection shown above.

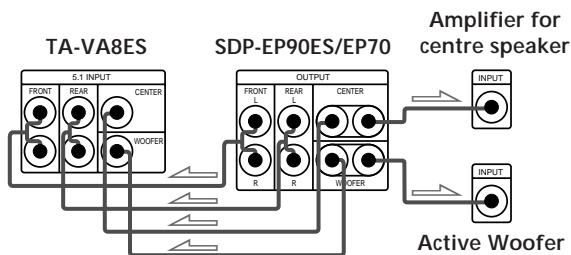
** If your LD player has an optical digital output, connect it to one of the DIGITAL INPUT 1~3 jacks on this unit. This connection can be used together with the AC-3 RF connection.

(continued)

Getting Started

💡 If you have an additional surround amplifier with pre out terminals (such as the Sony TA-E2000ESD) You can connect it to this unit's BYPASS INPUT jacks. The signals from the connected amplifier will be output without alteration from this unit's OUTPUT jacks when you select BYPASS (see page 11 for details).

💡 If you have an additional centre speaker or active sub woofer Connect the other CENTER OUTPUT terminal to the input on the amplifier for your other centre speaker. Connect the other WOOFER OUTPUT terminal to the input terminal on the active woofer.



Connecting digital components

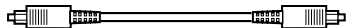
You can connect the digital output jacks of a DVD player, DAT/MD deck, CD player (etc.) to the surround processor's digital input jacks (DIGITAL INPUT 1~4).

You can also connect the AC-3 RF output terminal of an LD player to the surround processor's AC-3 RF INPUT terminal.

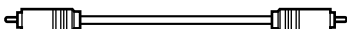
You can connect the surround processor's digital output jack (DIGITAL OUTPUT) to a DAT/MD deck.

What cords will I need?

- Optical digital connecting cord (not supplied)



- Coaxial digital connecting cord (not supplied)

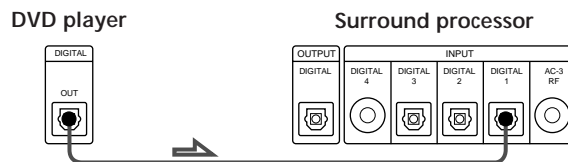


Hookups

The arrow  indicates signal flow.

DVD player

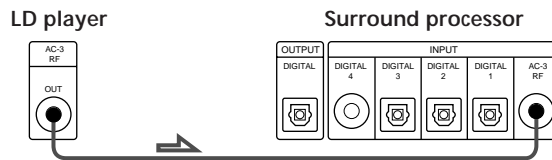
Be sure to connect the DVD player's digital output to one of the surround processor's DIGITAL INPUT 1~4 jacks.



If your DVD player has a COAXIAL DIGITAL OUTPUT, we recommend connecting the DVD player's COAXIAL DIGITAL INPUT to this unit's DIGITAL INPUT 4 (COAXIAL IN) instead of making the optical connection shown above.

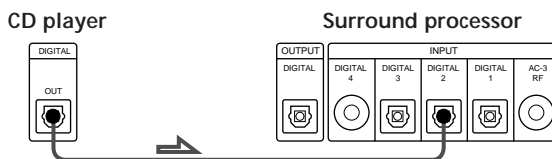
LD player

Be sure to connect the LD player's AC-3 RF output to the surround processor's AC-3 RF INPUT jacks.

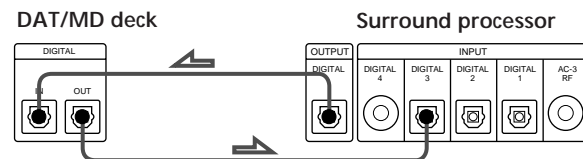


If your LD player has an optical digital output, connect it to one of the DIGITAL INPUT 1~3 jacks on this unit. This connection can be used together with the AC-3 RF connection.

CD player



DAT/MD deck



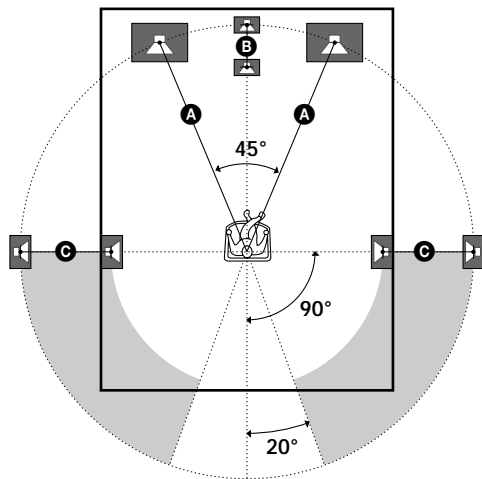
Note

This unit is only compatible with digital components using 32 kHz/44.1 kHz/48 kHz sampling frequencies. It is not compatible with 96 kHz.

Speaker Placement

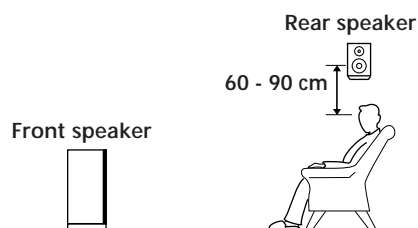
For the best possible surround sound all speakers should be the same distance from the listening position (A).

(However, this unit lets you to place the centre speaker up to 1.5 metres closer (B) and the rear speakers up to 4.5 metres closer (C) to the listening position. The front speakers can be placed from 1.0 to 12.0 metres from the listening position (A).)

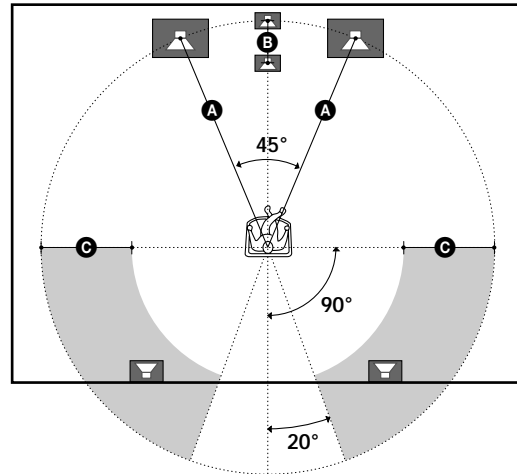


Notes

- Do not place the centre or rear speakers farther away from the listening position than the front speakers.
- When mounting the rear speakers on side walls perpendicular to the listening position they should be placed 60 - 90 cm above the listening position.



Depending on the shape of your room (etc.), you may wish to place the rear speakers behind you instead of on the side walls. One advantage of this placement is that you can use a pair of large floor standing speakers matching your front speakers.



Note

If you place the rear speakers behind you, be sure to check the speaker location setting in the SP. SETUP menu when using VIRTUAL MULTI REAR and VIRTUAL REAR SHIFT sound fields (see pages 8 and 13 for details).

Before You Use Your Processor

Before you start using your processor, make sure that you have:

- Turned MASTER VOLUME to -20 dB (near the centre position).

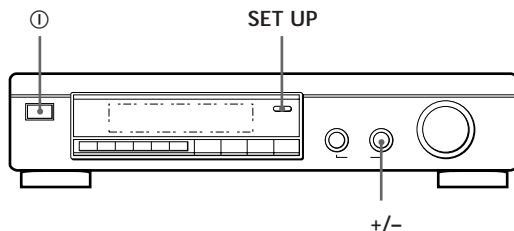
Turn on the processor and check the following indicator.

- Press MUTING on the remote if "MUTING ON" appears in the display.
- Press BYPASS or one of the INPUT buttons if "BYPASS ON" appears in the display.
- Press SET UP to register the type of speakers you have connected and their distance from your listening position (see "Speaker Set Up" on the following page).

Speaker Set Up

To obtain the best possible surround sound, first specify the type of speakers you have connected and their distance from your listening position. Then use the test tone to adjust the speaker volumes to the same level.

Specifying the speaker type and distance



- 1 Press ① (POWER) on the front panel to turn on the processor.
- 2 Press SET UP.
"SP. SETUP" appears in the display
- 3 Press SET UP repeatedly to select the parameter you want to adjust.
- 4 Turn the +/- knob to select the setting you desire.
The settings is entered automatically.
- 5 Repeat steps 3 and 4 until you have set all of the parameters shown below.
- 6 Press SET UP to exit the set up mode.

Front speaker size

Initial setting is : FRONT SP [LARGE]

- If you connect large speakers that will effectively reproduce bass frequencies, select "LARGE".
- If you connect small speakers with minimal bass response, select "SMALL" to activate the Dolby Digital (AC-3) bass redirection circuitry and output the front channel bass frequencies from the sub woofer or other "LARGE" speakers.

Centre speaker size

Initial setting is : CENTER SP [LARGE]

- If you connect large speakers that will effectively reproduce bass frequencies, select "LARGE" (WIDE mode).
- If you connect small speakers with minimal bass response, select "SMALL" to activate the Dolby Digital (AC-3) bass redirection circuitry and output the centre channel bass frequencies from the front speakers, sub woofer or other "LARGE" speakers (NORMAL mode).
- If you do not connect the centre speaker, select "NO" (PHANTOM mode).

Rear speaker size

Initial setting is : REAR SP [LARGE]

- If you connect large speakers that will effectively reproduce bass frequencies, select "LARGE".
- If you connect small speakers with minimal bass response, select "SMALL" to activate the Dolby Digital (AC-3) bass redirection circuitry and output the rear channel bass frequencies from the sub woofer or other "LARGE" speakers.
- If you do not connect rear speakers, select "NO" (3 CH mode).

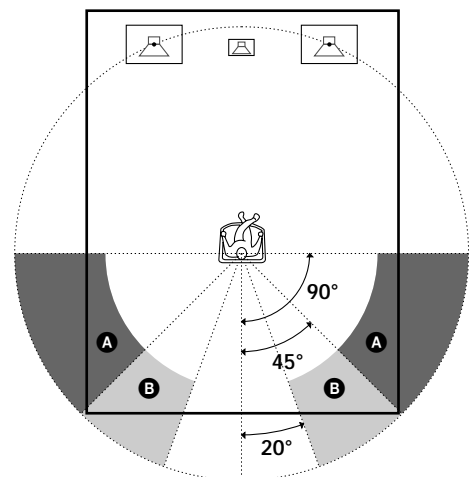
Rear speaker position

Initial setting is : REAR SP [SIDE]

This parameter lets you specify the location of your rear speakers for proper implementation of the Digital Cinema Sound VIRTUAL REAR SHIFT and VIRTUAL MULTI REAR modes. Refer to the illustration below.

- Set to SIDE if the location of your rear speakers corresponds to section A.
- Set to BEHIND if the location of your rear speakers corresponds to section B.

This setting effects only the VIRTUAL REAR SHIFT and VIRTUAL MULTI REAR modes.



Sub woofer selection

Initial setting is : SUB WOOFER [YES]

- If you connect a sub woofer, select "YES" to output the LFE (low frequency effect) channel from the sub woofer.
- If you do not connect a sub woofer, select "NO". This activates the MPEG/Dolby Digital (AC-3) bass redirection circuitry and outputs the LFE signals from other speakers.
- In order to take full advantage of the Dolby Digital (AC-3) bass redirection circuitry, we recommend setting the sub woofer's cut off frequency as high as possible. (However, when using an amplifier with 5.1 ch inputs, set the sub woofer's cut off frequency to match the characteristics of the amplifier.

Front speaker distance

Initial setting is : FRONT 5.0 meter

Set the distance from your listening position to the front (left or right) speaker (A on page 7).

- Front speaker distance can be set in 0.1 metre steps from 1.0 to 12.0 metres.
- If both speakers are not placed an equal distance from your listening position, set the distance to the closest speaker.

Centre speaker distance

Initial setting is : CENTER 5.0 meter

Set the distance from your listening position to the centre speaker.

- Centre speaker distance can be set in 0.1 metre steps from a distance equal to the front speaker distance (A on page 7) to a distance 1.5 metres closer to your listening position (E on page 7).
- Do not place the centre speaker farther away from your listening position than the front speakers.

Rear speaker distance

Initial setting is : REAR 3.5 meter

Set the distance from your listening position to the rear (left or right) speaker.

- Rear speaker distance can be set in 0.1 metre steps from a distance equal to the front speaker distance (A on page 7) to a distance 4.5 metres closer to your listening position (C on page 7).
- Do not place the rear speakers farther away from your listening position than the front speakers.
- If both speakers are not placed an equal distance from your listening position, set the distance to the closest speaker.

To manually adjust the bass roll off frequency for each channel

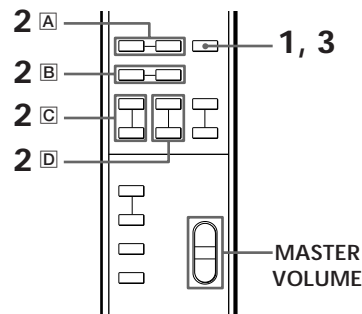
When the front, centre, or rear speaker sizes are set to small, the bass roll off frequency is automatically set to 120 Hz. To select a different roll off frequency, set the menu mode to EXPAND and use the front, centre, or rear speaker roll off parameters in the speaker set up menu.

For details about the menu mode, see page 15.

For details about the roll off parameters, see page 19.

Adjusting the speaker volume

Use the remote while seated in your listening position to adjust the volume of each speaker.



Note

This unit incorporates a new test tone with a frequency centred at 800 Hz for easier speaker volume adjustment.

- 1 Press TEST.
You will hear the test tone from each speaker in sequence.
- 2 From your listening position, use the remote to adjust the volume of each speaker so that the test tone can be heard at the same level from all speakers.
 - A Press FRONT BAL L or R to adjust the balance between the front left and right speakers (± 8 dB, 0.5 dB/steps).
During this adjustment, the test tone is emitted from both speakers simultaneously.
 - B Press REAR BAL L or R to adjust the balance between the rear left and right speakers (± 8 dB, 0.5 dB/steps).
During this adjustment, the test tone is emitted from both speakers simultaneously.
 - C Press CENTER + or - to adjust the level of centre speaker (0.5 dB/steps).
During this adjustment, the test tone is emitted from the centre speaker.
 - D Press REAR + or - to adjust the level of rear speakers (0.5 dB/steps).
During this adjustment, the test tone is emitted from both speakers simultaneously.
- 3 Press TEST to turn off the test tone.

(continued)



To adjust the volume of all the speakers at one time

Use MASTER VOLUME on the processor, remote, or your multichannel processor.

When using an amplifier with 5.1 ch inputs, set this unit's MASTER VOLUME to -20 dB (near the centre position) and adjust the amplifier's volume control.



To set the test tone to a specific channel

Set the menu mode to EXPAND and use the test tone parameter in the LEVEL ADJUST menu to select the channel you desire.

For details about the menu mode, see page 15.

For details about the test tone parameter, see page 15.

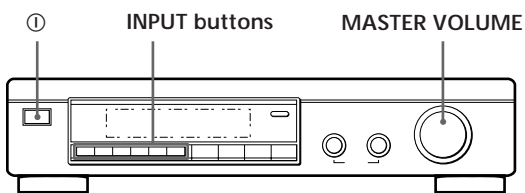
Notes

- The front balance, rear balance, centre level, and rear level are shown in the display during adjustment.
- Although these adjustments can also be made with the LEVEL ADJUST menu using the knobs on the front panel, we recommend you follow the procedure described above and adjust the speaker levels from your listening position using the remote control.

Selecting a Component

To listen to or watch a connected component, first select the function on the processor or with the remote. Before you begin, make sure you have:

- Connected all components securely and correctly as indicated on pages 4 to 7.
- Turned MASTER VOLUME to -20 dB (near the centre position) (when using an amplifier with 5.1 ch inputs).
- Turned MASTER VOLUME to $-\infty$ dB (when using separate amplifiers for each speaker).



- 1 Press ① (POWER) to turn on the processor.
- 2 Press an INPUT button to select the component you want to use:

| To listen to or watch | Press |
|------------------------------------------------------------------------|--------------------|
| An LD player connected to the AC-3 RF INPUT jack | AC-3 RF |
| The component connected to the DIGITAL 1, 2, or 3 optical input jack.* | DIGITAL 1, 2, or 3 |
| The component connected to the DIGITAL 4 coaxial input jack. | DIGITAL 4 |
| The component connected to the BYPASS input jacks. | BYPASS** |

* This unit's digital inputs detect MPEG, Dolby Digital (AC-3), or PCM signals automatically. (The AC-3 RF input terminal for use with LD players is for Dolby Digital (AC-3) signals only.)

- **
- The menu functions may not be available when the unit is set to the "BYPASS ON" mode.
 - If you connected an additional audio amplifier (etc.) to the BYPASS IN jacks on the processor as described on page 6, use the function selector on that component to select the component you want to listen to ("CD" for example).
 - This unit switches to the "BYPASS ON" mode while its POWER is set to off.

- 3 When connected to an amplifier with 5.1 ch inputs, turn on your amplifier, select the respective component, then select the 5.1 channel input.
EXAMPLE: Turn FUNCTION to select "LD", then press 5.1 INPUT (for Sony TA-VA8ES). At this time, set the MASTER VOLUME control on your amplifier to "0".
- 4 Turn on the source component, the LD player for example, and start playback.
- 5 Use the MASTER VOLUME on your amplifier to adjust the volume.

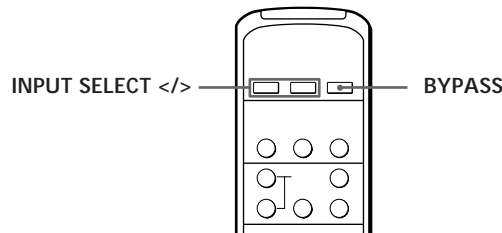
| To | Do this |
|-------------------------------------|--------------------------------------------------------------|
| Mute the sound | Press MUTING on the remote. Press again to restore the sound |
| Reinforce the bass | Press BASS BOOST to turn on the B.BOOST indicator. |
| Turn off the display | Press DISPLAY on the remote. |
| Adjust the level of the sub woofer* | Press the SUB WOOFER +/- on the remote. |

* In order to take full advantage of the MPEG/Dolby Digital (AC-3) bass redirection circuitry, we recommend setting the sub woofer's cut off frequency as high as possible. (However, when using an amplifier with 5.1 ch inputs, set the sub woofer's cut off frequency to match the characteristics of the amplifier.)

Using the remote

The remote lets you operate the processor.

EXAMPLE: To listen to a Dolby Digital (AC-3) encoded Laserdisc played back in



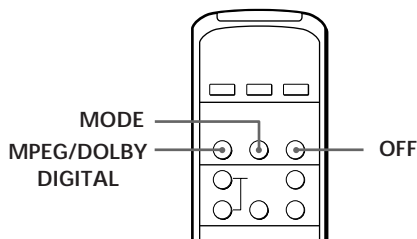
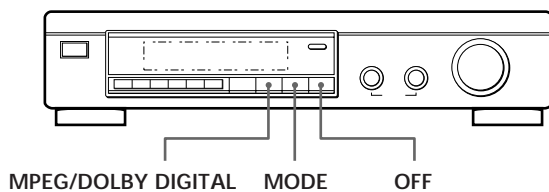
- 1 Press ① (POWER) on the front panel to turn on the processor.
- 2 Press INPUT SELECT < or > repeatedly to display the input for the component you want to use (or press BYPASS to display "BYPASS ON").
EXAMPLE: If you connected your LD player to the AC-3 RF INPUT, select "AC-3 RF".

Selecting a Surround Field

You can select a surround field according to the type of source you are playing.

When playing programme sources recorded in the MPEG or Dolby Digital (AC-3) format, you can enjoy surround sound simply by selecting "MPEG/DOLBY DIGITAL".

This unit also incorporates several pre-programmed sound modes called "Digital Cinema Sound". Select from these surround modes according to your preference to enjoy powerful surround effects from a wide variety of programme sources.



To select the MPEG or Dolby Digital surround modes

Press MPEG/DOLBY DIGITAL.

Normally, select this mode when playing programme sources recorded in the MPEG or Dolby Digital (AC-3) format.

To select Digital Cinema Sound

Press MODE repeatedly until the mode you desire appears in the display.

See the chart on the following page for details regarding the types of surround modes available and the effects they provide.



When you select DOLBY SURROUND

When the signal being input is PCM, normal 2 channel playback occurs.

When the signal being input is Dolby Digital (AC-3), the number of channels played back are determined automatically according to the characteristics of the input signal.

In the "DOLBY SURROUND" mode the number of channels being played back from the current programme source appear in the display as shown below:

| Display | Channels played back |
|-----------------------|----------------------------|
| STEREO PCM [xx kHz]* | Normal PCM playback |
| MPEG AUDIO [1/0]** | Centre only (mono) |
| DOLBY DIGITAL [1/0]** | |
| MPEG AUDIO [2/0] | Front (L, R) |
| DOLBY DIGITAL [2/0] | |
| MPEG AUDIO [2/1] | Front (L, R) + Rear (mono) |
| DOLBY DIGITAL [2/1] | |
| MPEG AUDIO [2/2] | Front (L, R) + Rear (L, R) |
| DOLBY DIGITAL [2/2] | |
| MPEG AUDIO [3/0]** | Front (L, R) + Centre |
| DOLBY DIGITAL [3/0]** | |
| MPEG AUDIO [3/1] | Front (L, R) + Centre + |
| DOLBY DIGITAL [3/1] | Rear (mono) |
| MPEG AUDIO [3/2] | Front (L, R) + Centre + |
| DOLBY DIGITAL [3/2] | Rear (L, R) |
| DOLBY PROLOGIC | Front (L, R) + Centre + |
| | Rear (mono) |


* 48 kHz, 44.1 kHz, or 32 kHz is displayed. 44.1 kHz is displayed as "44 kHz".

** The surround effect may not be readily apparent in all cases.

When playing a 2 channel MPEG or Dolby Digital (AC-3) source, the unit determines either Pro Logic of stereo playback automatically according to the information provided by the programme source.



You can find Dolby Surround-encoded software by looking at the packaging

Use discs with the  logo. In order to enjoy Dolby Digital (AC-3) playback you must use discs bearing this logo.

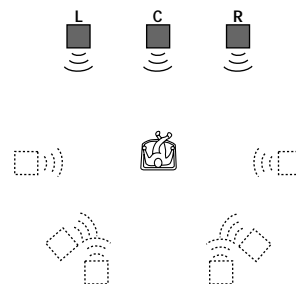
Digital Cinema Sound

| Surround mode | Effect |
|---------------------------------------|------------------------------------------------------------------------------------------------------------------------------------------------------------------------------------------------------------------------------------|
| NORMAL SURROUND | Decodes programmes processed with MPEG or Dolby Surround. Use to decode 2 ch sources using Dolby Pro Logic decoding. |
| ENHANCED SURROUND | Provides a greater sense of presence from Pro Logic sources with monaural rear channel sound. Produces a stereo like effect in the rear channels. |
| LARGE THEATER | Reproduces the acoustics of a standard movie theatre. |
| CINEMA STUDIO A | Reproduces the sound characteristics of the Sony Pictures Entertainment "Cary Grant Theatre" cinema production studio. |
| CINEMA STUDIO B | Reproduces the sound characteristics of the Sony Pictures Entertainment "Kim Novak Theatre" cinema production studio. |
| CINEMA STUDIO C | Reproduces the sound characteristics of the Sony Pictures Entertainment scoring stage. |
| VIRTUAL ENHANCED (SURROUND) A (III.1) | Uses 3D sound imaging to create virtual rear speakers from the sound of the front speakers without using actual rear speakers. The virtual speakers are reproduced as shown in Ill. 1. |
| VIRTUAL ENHANCED (SURROUND) B (III.2) | Uses 3D sound imaging to create virtual rear speakers from the sound of the front speakers without using actual rear speakers. The virtual speakers are reproduced as shown in Ill. 2. |
| VIRTUAL REAR SHIFT (III.3) | Uses 3D sound imaging to shift the sound of the rear speakers away from the actual speaker position. The shift position differs according to the setting of the rear speaker position (SP. SETUP). |
| VIRTUAL MULTI REAR (III.4) | Uses 3D sound imaging to create an array of virtual rear speakers from a single pair of actual rear speakers. The position of the virtual rear speakers differs according to the setting of the rear speaker position (SP. SETUP). |
| LARGE HALL | Reproduces the acoustics of a live house. Use when playing recordings of live concerts (etc.). |
| LIVE HOUSE | Creates a simulated surround sound from monaural sources such as old movies or TV programmes. |

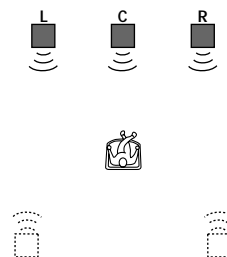
To turn off the surround effect (2 channel stereo playback)

Press OFF (or DIGITAL CINEMA SOUND - OFF on the remote). At this time MPEG or Dolby Digital (AC-3) signals are automatically downmixed to front (L, R) signals.

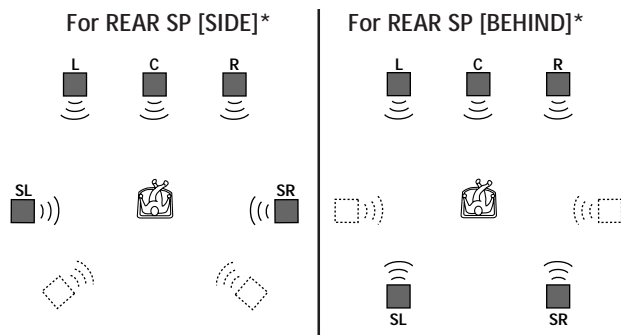
III.1 VIRTUAL ENHANCED (SURROUND) A



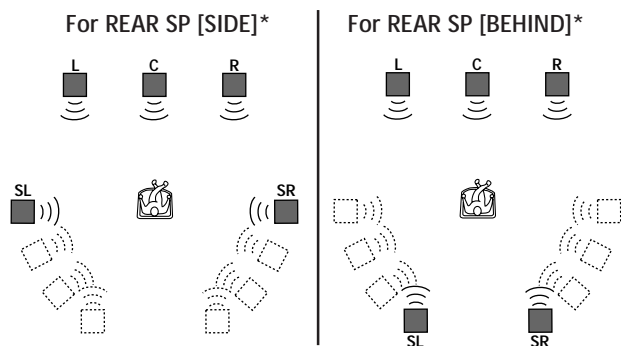
III.2 VIRTUAL ENHANCED (SURROUND) B



III.3 VIRTUAL REAR SHIFT



III.4 VIRTUAL MULTI REAR



L : Front speaker (left)
 R : Front speaker (right)
 C : Centre speaker
 SL : Rear speaker (left)
 SR : Rear speaker (right)
 □ : Virtual speaker

* See page 8 for details on how to set the rear speaker position.

(continued)

Adjusting the Surround Effect Level (for Digital Cinema Sound modes only*)

You can adjust the surround effect level. This control lets you adjust the “presence” of the current Digital Cinema Sound mode from 0% (no digital cinema sound effects) to 100% (150%) in 5% steps.

* This adjustment is not possible in the NORMAL SURROUND or ENHANCED SURROUND mode.

- 1 Start playing a programme source.
- 2 Press DIGITAL CINEMA SOUND - MODE on the remote repeatedly to select the mode you desire.
- 3 Press EFFECT + or - on the remote to select the level you prefer. The effect level is indicated in the display during adjustment. The level is stored automatically.

Note

Changing the effect level may not produce major variations in the surround effect when used with certain playback sources.



You can also adjust the surround effect level using the controls on the front panel.

Use the MENU and the +/- knobs to adjust the surround effect level parameter in the SURROUND menu.

See page 15 for details on menu operations and the surround effect level parameter.

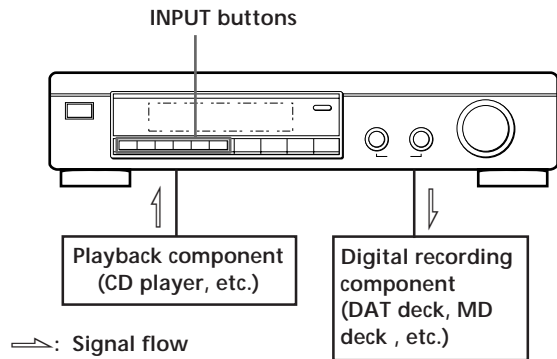
Compressing the dynamic range (MPEG or Dolby Digital (AC-3) only)

When inputting a MPEG or Dolby Digital (AC-3) signal you can compress the dynamic range of the sound track by using the dynamic range compression parameters in the SURROUND menu. This may be useful when you want to watch movies at low volumes late at night. See page 15 for details on menu operations and page 16 for details on the dynamic range compression parameter.

Digital Recording

This processor makes it easy to make digital recordings from the components connected to the processor. You don't have to connect playback and recording components directly.

Before you begin, make sure you've connected all components properly.



EXAMPLE: Recording a CD using a DAT deck

See your DAT or CD player's instruction manual if you need help.

- 1 Press DIGITAL 1 (if a CD player is connected to the DIGITAL 1 INPUT) to select the CD player.
- 2 Insert a blank digital audio tape into the DAT for recording.
- 3 Start recording on the DAT and then start playing the CD you want to record.

Note

You cannot record the digital signal from a MPEG or Dolby Digital (AC-3) programme source.

Settings and Adjustments

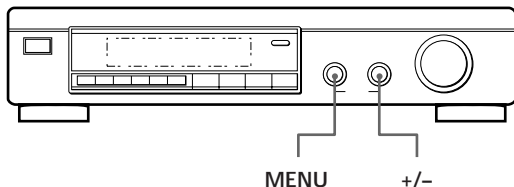
The menu operations allow you to customize various aspects of the processor to suit your listening environment, your speakers, your components, and your personal preferences.

You can select between two menu modes (basic and expand) according to your needs.

- The basic menu mode (BASIC) lets you make general adjustments to the sound fields and adjust all speaker settings simultaneously.
- The expanded menu mode (EXPAND) lets you make precise individual adjustments to the equalization and low cut frequency of the front, centre, and rear speakers, and determine the default settings for the digital inputs.

Note

If you switch from EXPAND mode to BASIC mode, the adjustments made in the EXPAND mode are retained. However, if you adjust parameters from the same menu in the BASIC mode, those settings change accordingly. For example, when you switch to the basic mode, the individual tone controls for each speaker (in the EQUALIZER menu) are preserved. However, a single adjustment to the general tone controls (in the SURROUND menu) sets all speaker equalizations to the front speaker settings.



- 1 Push the MENU knob repeatedly to display one of the following menus:

| BASIC mode | EXPAND mode |
|-------------------|-------------------|
| LEVEL ADJUST menu | LEVEL ADJUST menu |
| SURROUND menu | SURROUND menu |
| SP. SETUP menu | EQUALIZER menu |
| CUSTOMIZE menu | SP. SETUP menu |
| | CUSTOMIZE menu |

- 2 Turn the MENU knob to select the parameter you desire from the respective menu.
- 3 Turn the +/- knob to select the setting you desire. The setting is entered automatically.
- 4 Repeat steps 1 through 3 to make all necessary adjustments.

When using the controls on the remote

- 1 Press SELECT repeatedly to display the desired menu.
- 2 Press MENU ^/∨ repeatedly to select the parameter you desire from the respective menu
- 3 Press +/- repeatedly to select the setting you desire. The setting is entered automatically.
- 4 Repeat steps 1 through 3 to make all necessary adjustments.

Note

Certain menu items may not be available for adjustment depending on the current settings and menu modes. Unavailable items appear dimmed when shown in the display.

LEVEL ADJUST menu

The LEVEL ADJUST menu contains speaker level adjustment parameters that allow you to balance output level to each speaker.

- 💡 Most of these settings can also be adjusted directly using remote. See "Adjusting the speaker volume" (page 9).

Test tone

Initial setting is : TEST TONE OFF

Lets you turn the test tone on and off.

- When the menu mode is set to BASIC, you can select between "OFF" and "[] auto". "[] auto" provides the same test tone activity as the described on page 8.
- When the menu mode is set to EXPAND, you can select which speaker will emit the test tone; [L]: left (front), [C]: centre, [R]: right (front), [SR]: rear right, [SL]: rear left.

Front speaker balance

Initial setting is : FRONT L ___|___ R

Lets you adjust the balance between the front left and right speakers.

- The balance can be adjusted ± 8.0 dB in 0.5 dB steps.

Rear speaker balance

Initial setting is : REAR L ___|___ R

Lets you adjust the balance between the rear left and right speakers.

- The balance can be adjusted ± 8.0 dB in 0.5 dB steps.

Rear speaker level

Initial setting is : REAR LEVEL 0 dB

Lets you adjust level of the rear (left and right) speakers.

- The level can be adjusted in 0.5 dB steps from -20.0 dB to $+10.0$ dB.
- Selecting MUTE completely mutes the sound ($-\infty$) from the rear speakers. In this case, the sound of the rear channels is not output from the front speakers, etc.

(continued)

Centre speaker level

Initial setting is : CENT .LEVEL 0 dB

Lets you adjust the level of the centre speaker.

- The level can be adjusted in 0.5 dB steps from -20.0 dB to +10.0 dB.
- Selecting MUTE completely mutes the sound ($-\infty$) from the centre speaker. In this case, the sound of the centre channel is not output from the front speakers, etc.

Sub woofer level

Initial setting is : SUB WOOFER 0 dB

Lets you adjust the level of the sub woofer.

- The level can be adjusted in 0.5 dB steps from -20.0 dB to +10.0 dB.
- Selecting MUTE mutes the sound from the sub woofer.

SURROUND menu

The SURROUND menu contains parameters that let you customize various aspects of the current surround field. The settings available in this menu are stored separately for each surround field. The parameter types vary according to the menu mode.

Surround effect level (Digital Cinema Sound modes only)

Initial setting is : SURR .EFFECT 100%

This parameter can be adjusted directly using EFFECT +/- on the remote. It lets you adjust the "presence" of the current digital cinema sound surround effect.

- The effect level can be adjusted from 0% (no digital cinema sound effects) to 100% (150%) in 5% steps.

Low Frequency Effect (LFE) mix level (DISCRETE only)

Initial setting is : LFE MIX. 0dB

This parameter lets you attenuate the level of the LFE (Low Frequency Effect) channel output from the sub woofer without effecting the level of the bass frequencies sent to the sub woofer from the front, centre or rear channels via the bass redirection circuitry.

- The level can be adjusted in 0.5 dB steps from -20.0 dB to 0 dB (line level). 0 dB outputs the full LFE signal at the mix level determined by the recording engineer.
- Selecting MUTE mutes the sound of the LFE channel from the sub woofer. However, the low frequency sounds of the front, centre, or rear speakers are output from the sub woofer according to the settings made for each speaker in the speaker setup (page 8).

Dynamic range compression ratio

Initial setting is : D .RANGE COMP OFF

Lets you compress the dynamic range of the sound track. This may be useful when you want to watch movies at low volumes late at night.

- OFF reproduces the sound track with no compression.
- STD reproduces the sound track with the full dynamic range as intended by the recording engineer.
- 0.1 ~ 0.9 allow you to compress the dynamic range in small steps to achieve the sound you desire.
- MAX provides a dramatic compression of the dynamic range.
- During playback of MPEG sources, the compression ratio is fixed (STD, 0.1 ~ 0.9, and MAX all produce the same effect).

Tone Control (on/off) •Basic mode only•

Initial setting is : TONE CONTROL OFF

Lets you turn the BASS and TREBLE tone control adjustments ON or OFF. You can use this setting to compare the sound of the BASS and TREBLE adjustments with that of the original signal.

- OFF flattens the frequency characteristics of all channels simultaneously. If you adjust the bass or treble levels after setting the tone control to OFF, the sound quality changes from the flat (0 dB) position.
- ON restores the frequency characteristics to the values present before the tone control was set to OFF.

Bass level adjustment •Basic mode only•

Initial setting is : BASS 0 dB

Lets you adjust the level of the bass frequencies of the front (left and right), centre, and rear (left and right) channels simultaneously. To adjust the LFE channel, see "Low Frequency Extension (LFE) mix level".

- The level can be adjusted ± 10 dB in 1 dB steps.
- The "0dB" setting represents line level (0 dB).

Treble level adjustment •Basic mode only•

Initial setting is : TREBLE 0 dB

Lets you adjust the level of the treble frequencies of the front (left and right), centre, and rear (left and right) channels simultaneously.

- The level can be adjusted ± 10 dB in 1 dB steps.
- The "0dB" setting represents line level (0 dB).

EQUALIZER menu •Expand mode only•

In EXPAND mode, the settings in this menu replace the tone control settings of the SURROUND menu. This menu contains parameters that allow you to adjustment to the tone of the front (left and right), centre, and rear (left and right) speakers individually.

Equalizer (on/off)

Initial setting is : EQUALIZER ON

Lets you turn the equalizer adjustments ON or OFF. You can use this setting to compare the sound of the equalizer adjustments with that of the original signal.

- OFF flattens the frequency characteristics of all channels simultaneously. If you adjust the bass or treble levels after setting the equalizer to OFF, the sound quality changes from the flat (0 dB) position.
- ON restores the frequency characteristics to the values present before the equalizer was set to OFF.

Front speaker bass adjustment

Level : FRONT BASS 0dB

Frequency : FRONT BASS 250Hz

Use the +/- knob to adjust the level, then turn the MENU knob to move select the frequency (Hz) and use the +/- knob to adjust the frequency. Repeat until you achieve the sound you desire.

- The level can be adjusted ± 10 dB in 0.5 dB steps.

Front speaker treble adjustment

Level : FRONT TREBLE 0dB

Frequency : FRONT TREBLE 2.5kHz

Adjust as described in "Front speaker bass adjustment".

- The level can be adjusted ± 10 dB in 0.5 dB steps.

Centre speaker bass adjustment

Level : CENTER BASS 0dB

Frequency : CENTER BASS 250Hz

Adjust as described in "Front speaker bass adjustment".

- The level can be adjusted ± 10 dB in 0.5 dB steps.

Centre speaker treble adjustment

Level : CENTER TREBLE 0dB

Frequency : CENTER TREBLE 2.5kHz

Adjust as described in "Front speaker bass adjustment".

- The level can be adjusted ± 10 dB in 0.5 dB steps.

Rear speaker bass adjustment

Level : REAR BASS 0dB

Frequency : REAR BASS 250Hz

Adjust as described in "Front speaker bass adjustment".

- The level can be adjusted ± 10 dB in 0.5 dB steps.

Rear speaker treble adjustment

Level : REAR TREBLE 0dB

Frequency : REAR TREBLE 2.5kHz

Adjust as described in "Front speaker bass adjustment".

- The level can be adjusted ± 10 dB in 0.5 dB steps.

CUSTOMIZE menu

The CUSTOMIZE menu allows you to customize various aspects of the this unit's operation. The parameters available in this menu vary depending on the menu mode (BASIC/EXPAND).

Muting

Initial setting is : MUTING OFF

Lets you mute the sound (same as MUTING button on the remote).

- ON mutes the sound from all speakers.
- OFF restores the sound to the original volume.

Display dimmer control

Initial setting is : DISP . DIMMER 100%

Lets you adjust the brightness of the display window.

It can be adjusted in 1% steps from 25 to 100%.

Distance unit •Expand mode only•

Initial setting is : DIST .UNIT [meter]

Lets you select either metres or feet as the unit of measure for setting distances. 1 foot corresponds to a 1 ms difference.

Equalizer memory •Expand mode only•

Initial setting is : EQ MEMORY [ON]

- ON allows you to set the equalizer independently for each surround mode.
- OFF allows you to use fix the equalizer to one setting for all surround modes.

Memory clear

Initial setting is : MEMORY CLEAR [NO]

To clear the memory, select [YES] and wait a few seconds.

"Are you sure?" is displayed. If you select [YES] again and wait a few seconds, the unit clears all of the parameters and resets them to the factory presets "MEMORY CLEARED!" is displayed as confirmation.

(continued)

Menu mode selection

Initial setting is : MENU MODE [BASIC]

Lets you choose between the basic or the expand menu mode:

- The basic menu mode (BASIC) lets you make general adjustments to the sound fields and adjust the tone of all the speakers simultaneously.
- The expanded menu mode (EXPAND) lets you make precise individual adjustments to the equalization and low cut frequency of the front, centre, and rear speakers, and determine the default settings for the digital inputs.

Note

If you switch from EXPAND mode to BASIC mode, the adjustments made in the EXPAND mode are retained. However, if you adjust parameters from the same menu in the BASIC mode, those settings change accordingly. For example, when you switch to the basic mode, the individual tone controls for each speaker (in the EQUALIZER menu) are preserved. However, a single adjustment to the general tone controls (in the SURROUND menu) sets all speaker equalizations to the front speaker settings.



Even if you plan on making individual adjustments using the EQUALIZER menu,

We recommend that you start by using the tone controls in the basic menu mode and then make further refinements by switching to the expand mode and using the equalizer.

Digital input trim adjustment •Expand mode only•

Initial setting is : INPUT TRIM 0dB

Different components often have a different line levels. In such cases you can adjust the line level at each of the digital inputs. Settings are stored independently for each input.

Digital input mode •Expand mode only•

Initial setting is : DECODE MODE [AUTO]

Lets you specify the type of signal to be input to the currently digital input jack (AC-3 RF or DIGITAL 1~4). Settings are stored independently for each input.

- AUTO : This unit automatically switches between MPEG, Dolby Digital (AC-3), and PCM.
- AC-3 : All input signals are treated as Dolby Digital (AC-3) signals. If a MPEG or PCM signal is input to a jack set to AC-3, no sound will be heard.
- MPEG : All input signals are treated as MPEG signals. If a Dolby Digital (AC-3) or PCM signal is input to a jack set to MPEG, no sound will be heard.

SP. SETUP menu

The speaker setup menu contains parameters that allow you to set the type and size of the speakers in your system. This information is essential for production of realistic surround sound. The settings available in this menu can also be accessed by pressing SET UP (see “Speaker Set Up” on page 8 for details).

Front speaker size

Initial setting is : FRONT SP [LARGE]

See page 8.

Centre speaker size

Initial setting is : CENTER SP [LARGE]

See page 8.

Rear speaker size

Initial setting is : REAR SP [LARGE]

See page 8.

Rear speaker position

Initial setting is : REAR SP [SIDE]

See page 8.

Sub woofer selection

Initial setting is : SUB WOOFER [YES]

See page 8.

Front speaker distance

Initial setting is : FRONT 5.0 meter

See page 8.

Centre speaker distance

Initial setting is : CENTER 5.0 meter

See page 8.

Rear speaker distance

Initial setting is : REAR 3.5 meter

See page 8.

Front speaker roll off frequency •Expand mode only•

Initial setting is : FRONT SP > 120 Hz

This setting lets you select the roll off frequency for the low cut filter of the front (left and right) speakers.

- The bass frequencies lower than the cut off frequency are divided by the MPEG/Dolby Digital (AC-3) bass redirection circuitry and output from the sub woofer or other "LARGE" speakers. In order to prevent clipping, frequencies below the cut off frequency are not output from the front speakers.

Centre speaker roll off frequency •Expand mode only•

Initial setting is : CENTER SP > 120 Hz

This setting lets you select the roll off frequency for the low cut filter of the centre speaker.

- The bass frequencies lower than the cut off frequency are divided by the MPEG/Dolby Digital (AC-3) bass redirection circuitry and output from the sub woofer or other "LARGE" speakers. In order to prevent clipping, frequencies below the cut off frequency are not output from the centre speaker.

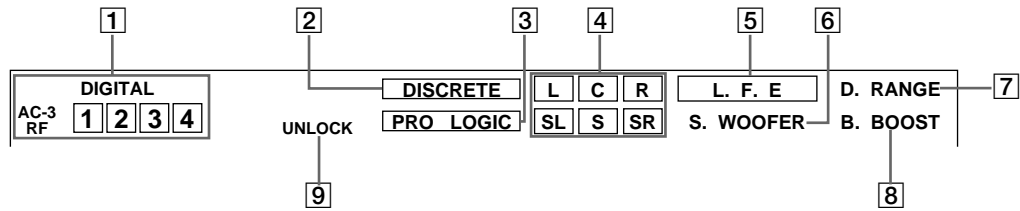
Rear speaker roll off frequency •Expand mode only•

Initial setting is : REAR SP > 120 Hz

This setting lets you select the roll off frequency for the low cut filter of the rear (left and right) speakers.

- The bass frequencies lower than the cut off frequency are divided by the MPEG/Dolby Digital (AC-3) bass redirection circuitry and output from the sub woofer or other "LARGE" speakers. In order to prevent clipping, frequencies below the cut off frequency are not output from the rear speakers.

Understanding the Display



- 1** Input selector indicators
The input terminal selected by the INPUT selectors on the front panel lights up.
- 2** DISCRETE
Lights up when this unit decodes signals recorded in the MPEG or Dolby Digital (AC-3) format and outputs the intended number of signals contained in those signals. Does not light when the input signal is 2-channel stereo or when the input signal is mixed down because the surround function is off.
- 3** PRO LOGIC
Lights when this unit applies Pro Logic processing to two channel signals in order to output the centre and surround channel signals.
- 4** Output channel indicators
Light to indicate which channels are being output.
L: Front Left R: Front Right
C: Centre (monaural) SL: Rear Surround Left
SR: Rear Surround Right
S: Rear Surround (monaural or the rear components obtained by Pro Logic processing)
- See the following page for details regarding the channel indication.
- When MPEG/DOLBY DIGITAL is pressed, the number of channels in the signal being input are shown on the display (Example: DOLBY DIGITAL [3/2]). See the following page for details.
- 5** L.F.E
The letters "L.F.E" light up when the disc being played contains the LFE (Low Frequency Effect) channel. When the sound of the LFE channel signal is actually being reproduced, the frame around the letters also lights up. Since the LFE signal is not recorded in all part of the input signal, the frame may turn on and off repeatedly during playback.
- 6** S.WOOFER
Lights when sub woofer selection is set to "YES", "UNLOCK" is not lit, and this unit detects that the disc being played does not contain the LFE channel signal. While this indicator is lit, this unit creates a sub woofer signal based on the low frequency components of the front channels.
- 7** D.RANGE
Lights when the [D.RANGE COMP] parameter in the menu is not set to OFF and a signal recorded in the MPEG or Dolby Digital (AC-3) format is input to this unit. See page 16 for details regarding this setting.
- 8** B.BOOST
Lights when the BASS BOOST button on the front panel is pressed to enhance the low frequencies.
- 9** UNLOCK
Lights when this unit is not capable of reproducing a digital signal. For example, this indicator may light up if the connected component does not output signal, the disc being played does not contain the signal, or no playback components are connected (etc.).

Output channel display

This unit shows which channels signals are being output from. The display varies depending on the number of speakers connected. See "Speaker Setup and Output Channel Display" in the following table for details.

This unit can also display the number of channels in the input signal. To view this display, press MPEG/DOLBY DIGITAL to display "MPEG [3/2]" etc., see below for details. Although this table shows almost all of the possible configurations available from MPEG and Dolby Digital (AC-3) signals, only the ones marked "☆" are used in most cases.

| Recording Format (Front/Rear) | Input Channel Display | Speaker Setup and Output Channel Display | | | |
|-------------------------------|-------------------------------------------|------------------------------------------|-------------------------|-------------------------|-----------------------------|
| | | All speakers present | Rear speakers absent | Center speaker absent | Rear/center speakers absent |
| 1/0 | MPEG AUDIO [1/0] DOLBY DIGITAL [1/0] | DISCRETE C | DISCRETE C | DISCRETE C | DISCRETE C |
| 2/0* | MPEG AUDIO [2/0] DOLBY DIGITAL [2/0] | L R | L R | L R | L R |
| 3/0 | MPEG AUDIO [3/0] DOLBY DIGITAL [3/0] | DISCRETE L C R | DISCRETE L C R | DISCRETE L C R | DISCRETE L C R |
| 2/1 | MPEG AUDIO [2/1] DOLBY DIGITAL [2/1] | DISCRETE L R S | DISCRETE L R S | DISCRETE L R S | DISCRETE L R S |
| 3/1 | MPEG AUDIO [3/1] DOLBY DIGITAL [3/1] | DISCRETE L C R S | DISCRETE L C R S | DISCRETE L C R S | DISCRETE L C R S |
| 2/2 | MPEG AUDIO [2/2] DOLBY DIGITAL [2/2] | DISCRETE L R SL SR | DISCRETE L R SL SR | DISCRETE L R SL SR | DISCRETE L R SL SR |
| 3/2 | ☆MPEG AUDIO [3/2] ☆DOLBY DIGITAL [3/2] | DISCRETE L C R SL SR | DISCRETE L C R SL SR | DISCRETE L C R SL SR | DISCRETE L C R SL SR |
| 2/0** | ☆MPEG AUDIO [2/0] ☆DOLBY DIGITAL [2/0] | PRO LOGIC L C R S | PRO LOGIC L C R S | PRO LOGIC L C R S | PRO LOGIC L C R S |
| | ☆DOLBY PROLOGIC | PRO LOGIC L C R S | PRO LOGIC L C R S | PRO LOGIC L C R S | PRO LOGIC L C R S |
| | ☆STEREO PCM**(kHz) | L R | L R | L R | L R |

* Without Pro Logic

** When Pro Logic is ON or Theatre type surround effect (CINEMA STUDIO A~C, etc.) is activated.

Troubleshooting

If you experience any of the following difficulties while using the processor, use this troubleshooting guide to help you remedy the problem. Should any problem persist, consult your nearest Sony dealer.

There's no sound or only a very low-level sound is heard.

- ➔ Check that the speakers and components are connected securely.
- ➔ Press MUTING if "MUTING ON" appears in the display.
- ➔ Make sure you select the correct component on the processor.
- ➔ Make sure you select the correct input on your multichannel amplifier.
- ➔ When menu mode is set to EXPAND, make sure the digital input mode setting in the CUSTOMIZE menu is set correctly (see page 17).

The left and right sounds are unbalanced or reversed.

- ➔ Check that the speakers and components are connected correctly and securely.

Severe hum or noise is heard.

- ➔ Check that the speakers and components are connected securely.
- ➔ Check that the connecting cords are away from a transformer or motor, and at least 3 metres (10 feet) away from a TV set or fluorescent light.
- ➔ Place your TV away from the audio components.
- ➔ The plugs and jacks are dirty. Wipe them with a cloth slightly moistened with alcohol.

No sound or only a very low-level sound is heard from the rear speakers.

- ➔ Make sure the rear speaker size parameter in the SP. SETUP menu is set to either small or large (see page 8).
- ➔ Adjust the speaker volume appropriately (see page 9).
- ➔ Make sure you turned on the surround mode (see page 12).

No sound is heard from the centre speaker.

- ➔ Make sure the centre speaker size parameter in the SP. SETUP menu is set to either small or large (see page 8).
- ➔ Adjust the speaker volume appropriately (see page 9).

Surround effect cannot be obtained.

- ➔ Make sure you turn on the surround mode (see page 12).
- ➔ Press EFFECT + on the remote when using a digital cinema sound mode to increase the presence of the surround effect (see page 14).


No picture or an unclear picture is seen on the TV screen.

- ➔ Select the appropriate function on your multichannel amplifier.
- ➔ Place your TV away from the audio components.

Digital recording is not possible.

- ➔ Check that the components are connected correctly.
- ➔ MPEG or Dolby Digital (AC-3) sources cannot be recorded digitally onto DAT or MD.

The remote does not function.

- ➔ Point the remote at the remote sensor  on the processor.
- ➔ Remove the obstacles in the path of the remote and the processor.
- ➔ Replace both batteries in the remote with new ones if they are weak.
- ➔ Make sure the BYPASS function is set to OFF.

"Turn POWER SW off!" appears in the display and no sound can be heard.

- ➔ The temperature within the unit may have risen above normal operating levels. If the unit is installed in a rack, remove the unit from the rack, then try turning the power back on. If this does not correct the problem, turn off the power and consult your nearest Sony dealer.

Specifications

| | |
|----------------------|---------------------------------------------------------------------------------------------|
| Digital inputs | Optical: 3 Coaxial: 1 AC-3 RF: 1 |
| Digital outputs | Optical: 1 |
| Bypass inputs | FRONT (L R), REAR (L R), CENTER, WOOFER |
| Analog outputs | FRONT (L R), REAR (L R), CENTER, WOOFER: Output level: 1V Output impedance: 1 kilohms |
| BASS BOOST | +5 dB at 60 Hz |
| Power requirements | 220 - 230 V AC, 50/60 Hz |
| Power consumption | 50 W |
| Dimensions | 430 x 98 x 355.5 mm (17 x 3 7/8 x 14 in) |
| Mass (Approx.) | 6.5 kg (14 lb 5 oz) |
| Supplied accessories | See page 4. |

Design and specifications are subject to change without notice.

Glossary

Centre mode

A setting used by the Dolby Pro Logic Surround mode to determine the kind of signal processing required to produce the surround effect with the speakers you have connected. The centre mode is determined automatically according to the setting of the speaker size parameters in the SP. SETUP menu.

This processor's Dolby Digital (AC-3) circuitry provides a more versatile range of speaker settings than the standard Dolby Pro Logic centre mode setting. For your reference, the following chart shows the relationship between the Dolby Digital (AC-3) speaker size parameters and the Dolby Pro Logic centre mode.

FS = Front speaker size
CS = Centre speaker size
RS = Rear speaker size
C.Mode = Dolby Pro Logic centre mode

| FS | CS | RS | C.Mode |
|-------|-------|-------|---------|
| SMALL | SMALL | SMALL | — |
| LARGE | SMALL | SMALL | NORMAL |
| SMALL | SMALL | LARGE | — |
| LARGE | SMALL | LARGE | NORMAL |
| LARGE | LARGE | SMALL | WIDE |
| LARGE | LARGE | LARGE | WIDE |
| SMALL | LARGE | SMALL | — |
| SMALL | LARGE | LARGE | — |
| SMALL | NO | SMALL | — |
| LARGE | NO | SMALL | PHANTOM |
| LARGE | NO | LARGE | PHANTOM |
| SMALL | NO | LARGE | — |
| LARGE | SMALL | NO | — |
| LARGE | LARGE | NO | 3CH |
| SMALL | SMALL | NO | — |
| SMALL | LARGE | NO | — |

Dolby Digital (AC-3)

This is a new digital surround system proposed to reproduce Dolby SR-D (the 3 dimensional sound system developed for use in movie theatres) in the home. This technology allows you to enjoy the full 5.1 ch soundtrack intended by the filmmaker, in the comfort of your own home.

MPEG AUDIO

International standard coding system to compress audio digital signals authorized by ISO/IEC. MPEG 1 conforms up to 2-channel stereo. MPEG 2 used on DVDs conforms up to 7.1-channel surround. It realize the backward compatibility - you can play the MPEG 2 sound track with the player conforms to MPEG 1.

Digital Cinema Sound

The application of Sony digital signal processing technology to shift sound away from the actual speaker position and simulate the sound direction information produced by several speakers positioned in places around or behind the listening position.

The number and angle of the simulated (virtual) speakers were developed to simulate the sound of the actual speaker arrangement in the editing rooms of Sony Pictures Entertainment, Hollywood.

These sound modes allow you to enjoy a truthful reproduction of the sound environment intended by the filmmaker, in the comfort of your own home.

Dolby Pro Logic Surround

Decoding system of Dolby Surround sound standardized in TV programmes and movies. Compared with the former Dolby Surround system, Dolby Pro Logic Surround improves sound image by using four separate channels: off-screen audio effects, on-screen dialog, left-to-right panning, and music. These channels manipulate the sound to be heard and enhance the action as it happens on the screen. To take advantage of Dolby Pro Logic, you should have at least one pair of rear speakers and/or one centre speaker. You also need to select the appropriate centre mode to enjoy a full effect.

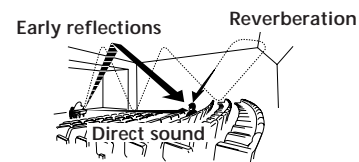
Dolby Surround

Encoding and decoding system of Dolby Surround sound for consumer use. Dolby Surround decodes the extra channels on the Dolby Surround-encoded sound tracks of movie videos and TV programmes and produces sound effects and echoes that make the action seem to envelop you.

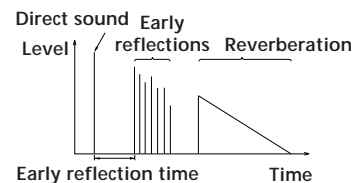
Surround sound

Sound that consists of three elements: direct sound, early reflected sound (early reflections) and reverberative sound (reverberation). The acoustics where you hear the sound affect the way these three sound elements are heard. These sound elements are combined in such a way that you can actually feel the size and the type of a concert hall.

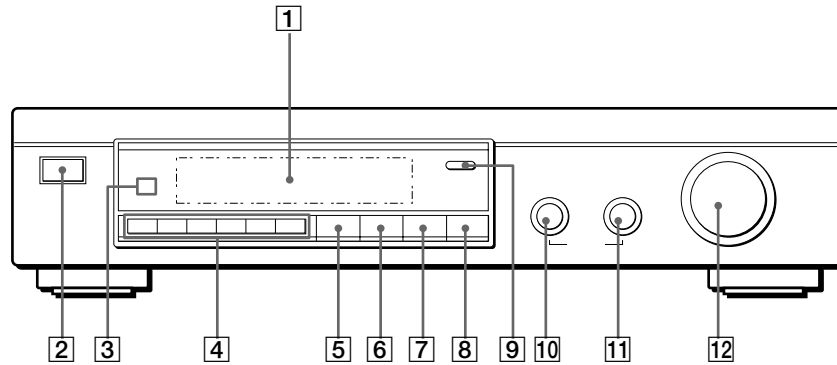
• Types of sound



• Transition of sound from rear speakers

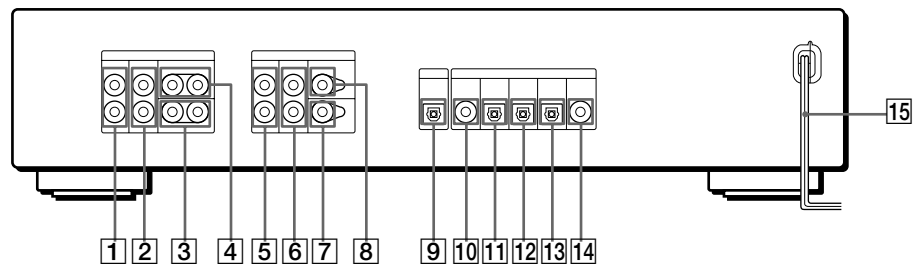


Front Panel Descriptions



- | | | |
|--------------------------|----------------------|------------------|
| 1 Display | 5 BASS BOOST | 9 SET UP |
| 2 POWER | 6 MPEG/DOLBY DIGITAL | 10 MENU |
| 3 Remote sensor (centre) | 7 MODE | 11 +/- |
| 4 INPUT selectors | 8 OFF | 12 MASTER VOLUME |

Rear Panel Descriptions



- | | | |
|---------------------------------------|---------------------------------------------|------------------------------|
| 1 FRONT L (left) and R (right) OUTPUT | 5 FRONT L (left) and R (right) BYPASS INPUT | 9 DIGITAL OUTPUT (optical) |
| 2 REAR L (left) and R (right) OUTPUT | 6 REAR L (left) and R (right) BYPASS INPUT | 10 DIGITAL INPUT 4 (coaxial) |
| 3 WOOFER OUTPUT(s) | 7 WOOFER BYPASS INPUT | 11 DIGITAL INPUT 3 (optical) |
| 4 CENTER OUTPUT(s) | 8 CENTER BYPASS INPUT | 12 DIGITAL INPUT 2 (optical) |
| | | 13 DIGITAL INPUT 1 (optical) |
| | | 14 AC-3 RF INPUT |
| | | 15 Mains lead |

Index

- A**
- Adjusting
 - effect level 14
 - speaker volume 9
 - volume 11
 - Audio component hookups 4
- B**
- Basic menu mode 15, 18
- C**
- Centre speaker
 - cut off frequency 9, 19
 - distance 7, 9
 - mode (size) 8
 - placement 7
 - volume level 9
 - Connecting. *See* Hookups
 - CUSTOMIZE menu 17
- D**
- Digital Cinema Sound 13
 - Digital component hookups 6
 - Dolby Digital (AC-3) 23
 - Dolby Pro Logic Surround 23
 - Dolby Surround sound 23
- E**
- EQUALIZER menu 17
 - Expand menu mode 15, 18
- F, G**
- Front panel 24
 - Front speakers
 - balance 9
 - cut off frequency 9, 19
 - distance 7, 9
 - mode (size) 8
 - placement 7
- H, I, J, K**
- Hookups 4
- L**
- LEVEL ADJUST menu 15
- M, N, O**
- MPEG 23
 - Menu operations 15
- P, Q**
- Programme source selecting 11
- R**
- Rear panel 24
 - Rear speakers
 - balance 9
 - cut off frequency 9, 19
 - distance 7, 9
 - mode (size) 8
 - placement 7
 - volume level 9
 - Recording
 - digital audio 14
- S**
- Selecting a programme source using the remote 11
 - Set up procedure 8
 - Speakers
 - cut off frequency 9, 19
 - distance 7, 9
 - mode (size) 8
 - placement 7
 - volume level 9
 - set up 8
 - SP.SETUP menu 18
 - Sub woofer
 - connections 4, 5, 6
 - level 16
 - mode 9, 16
 - SURROUND menu 16
- T**
- Test tone 9, 15
 - Tone controls 16
 - Troubleshooting 22
- U, V, W, X, Y, Z**
- Unpacking 4

AVERTISSEMENT

Afin d'éviter tout risque d'incendie ou d'électrocution, évitez d'exposer l'appareil à la pluie ou à l'humidité.

Afin d'éviter tout risque d'incendie ou d'électrocution, évitez d'exposer l'appareil à la pluie ou à l'humidité.

N'installez pas l'appareil dans un espace confiné comme dans une bibliothèque ou un meuble encastré.

Précautions

Sécurité

- Si un solide ou un liquide tombait dans le coffret, débranchez le processeur et faites-le vérifier par un technicien qualifié avant de le remettre en service.

Sources d'alimentation

- Avant de mettre en service le processeur, vérifiez que la tension de fonctionnement correspond à celle du courant secteur local. La tension de fonctionnement est indiquée sur la plaque signalétique à l'arrière du processeur.
- Le processeur n'est pas déconnecté de la source d'alimentation tant qu'il est branché sur une prise murale, même si vous le mettez hors tension.
- Si vous ne comptez pas utiliser le processeur pendant un certain temps, débranchez-le de la prise murale. Pour débrancher le cordon, tirez sur la fiche et jamais sur le cordon proprement dit.
- Le cordon d'alimentation secteur doit être changé par un professionnel seulement.

Installation

- N'installez pas le processeur près d'une source de chaleur, dans un endroit en plein soleil, poussiéreux ou exposé à des chocs mécaniques.
- Ne placez pas le processeur près d'une source de chaleur ou dans un endroit en plein soleil, poussiéreux ou subissant des chocs mécaniques.
- Ne posez rien sur le coffret qui puisse bloquer les orifices de ventilation et provoquer un mauvais fonctionnement.

Fonctionnement

- Avant de raccorder d'autres appareils, mettez le processeur hors tension et débranchez-le.

Nettoyage

- Nettoyez le coffret, le panneau et les commandes avec un chiffon doux légèrement imprégné d'une solution détergente douce. N'utilisez pas de tampon abrasif, poudre à récurer ou solvant, comme de l'alcool ou de la benzine.

En cas de question ou de problème concernant le processeur, consultez le revendeur Sony le plus proche.

Au sujet de ce manuel

Conventions

- Ce mode d'emploi décrit le fonctionnement avec les commandes du processeur. Vous pouvez également utiliser les commandes de la télécommande qui ont un nom identique ou similaire à celles du processeur.
- Les symboles suivants sont utilisés dans ce manuel:



Indique que vous pouvez utiliser la télécommande pour effectuer cette opération.



Donne des conseils supplémentaires pour faciliter l'utilisation.

Ce processeur utilise le système surround Dolby Pro Logic.

Fabriqué sous licence de Dolby

Laboratories Licensing Corporation.

DOLBY, le symbole double-D , PRO

LOGIC et "AC-3" sont des marques de

Dolby Laboratories Licensing

Corporation.

TABLE DES MATIÈRES

Préparatifs

Déballage 4

Branchement du système 4

Disposition des haut-parleurs 7

Avant d'utiliser votre processeur 7

Installation des haut-parleurs 8

Fonctionnement du processeur

Sélection d'un composant 11

Sélection d'un Champ Surround 12

Enregistrement numérique 14

Réglages et ajustements 15

Compréhension de l'affichage 20

Informations supplémentaires

Guide de dépannage 22

Données techniques 23

Glossaire 23

Nomenclature du panneau avant 24

Nomenclature du panneau arrière 24


Index 25

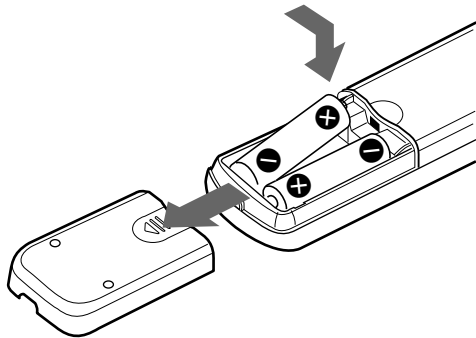
Déballage

Vérifiez si les accessoires suivants se trouvent dans l'emballage.

- Télécommande (1)
- Piles de format AA (R6) (2)
- Cordons de connexion (3)

Mise en place des piles dans la télécommande

Insérez deux piles de format AA (R6) en faisant correspondre les bornes + et - avec le schéma dans le logement. Pour utiliser la télécommande, dirigez-la vers le détecteur infrarouge  sur le processeur.



Quand remplacer les piles

Dans des conditions d'utilisation normales, les piles durent environ six mois. Quand vous ne pouvez plus contrôler le processeur avec la télécommande, remplacez les piles par des neuves.

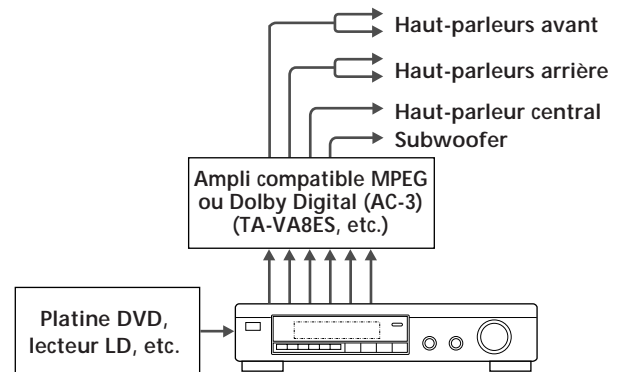
Remarques

- Ne laissez pas la télécommande dans un endroit extrêmement chaud ou humide.
- N'utilisez pas en même temps une pile neuve et une pile usée.
- Ne pas exposer le détecteur infrarouge aux rayons directs du soleil ou à un dispositif d'éclairage afin d'éviter tout mauvais fonctionnement.
- Si vous prévoyez de ne pas utiliser la télécommande pendant longtemps, enlevez les piles pour éviter tout dommage dû à une fuite d'électrolyte et à la corrosion.

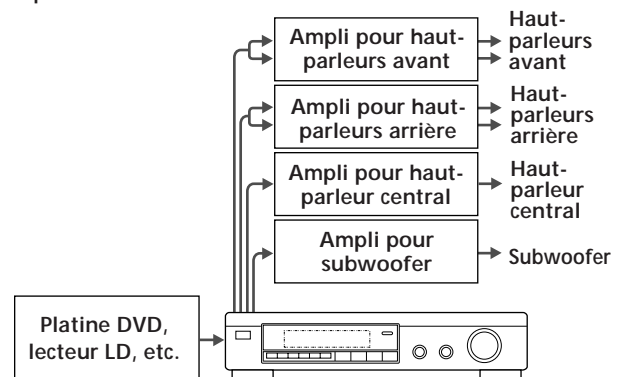
Branchement du système

Le Processeur Surround vous permet de raccorder jusqu'à 5 composants de source audio (ou vidéo) numérique, tels qu'une platine DVD ou un lecteur LD, avec une sortie AC-3 RF. L'illustration indique comment effectuer les branchements entre vos composants de source audio (ou vidéo) numérique, le processeur surround et votre amplificateur multicanaux.

- Branchement d'un ampli à entrées de canal 5.1

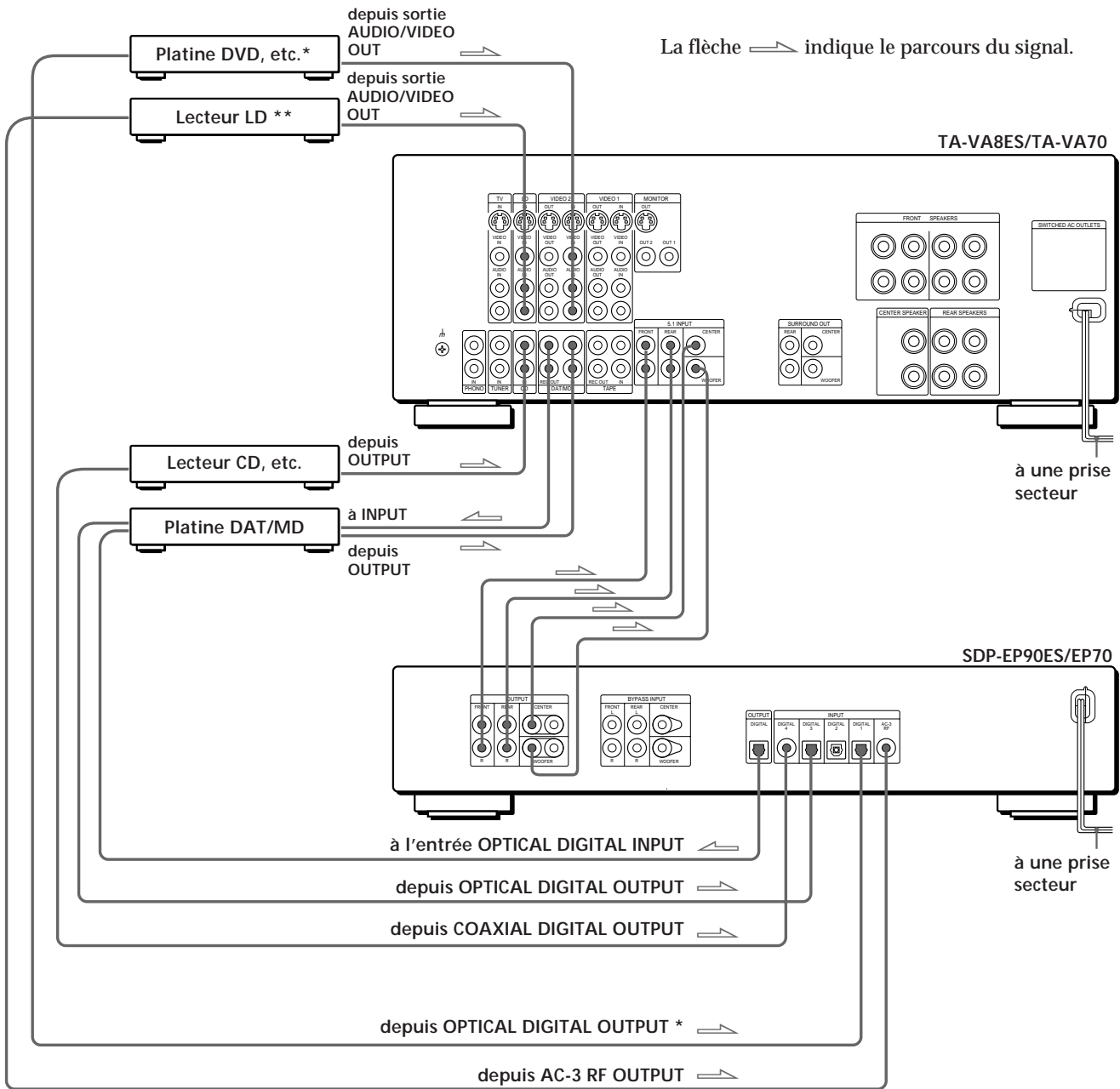


- Branchement d'amplis séparés pour chaque haut-parleur



- 1 Raccordez les bornes de sortie (OUTPUT) du processeur surround sur les entrées des canaux avant (gauche et droit), arrière (gauche et droit) central et de subwoofer de votre amplificateur. (Pour le TA-VA8ES/TA-VA70, raccordez aux bornes 5.1 INPUT comme illustré à la page suivante.)
- 2 Raccordez les sorties audio numériques de chaque composant sur les bornes adéquates à l'arrière du processeur surround.
Les entrées numériques de cet appareil détectent automatiquement les signaux MPEG, Dolby Digital (AC-3), ou PCM.
La borne d'entrée AC-3 RF destinée à un emploi avec les lecteurs LD est réservée aux signaux Dolby Digital (AC-3) uniquement.

Branchement d'un ampli à entrée de canal 5.1 (comme le Sony TA-VA8ES/TA-VA70, etc.)



Remarques sur les branchements

- Ne branchez pas le cordon d'alimentation sur une prise secteur et n'appuyez pas sur l'interrupteur ① (POWER) avant d'avoir achevé tous les branchements.
- Les connecteurs de câble doivent être insérés à fond dans les prises, car des branchements relâchés peuvent causer un ronflement ou des parasites.
- Les prises et les fiches des cordons de branchement sont codées selon les couleurs suivantes:
Prises et fiches jaunes: Signal vidéo
Prises et fiches rouges: Canal audio droit
Prises et fiches blanches: Canal audio gauche

Vous pouvez utiliser indifféremment les câbles rouges ou blancs pour raccorder le haut-parleur central et le subwoofer.

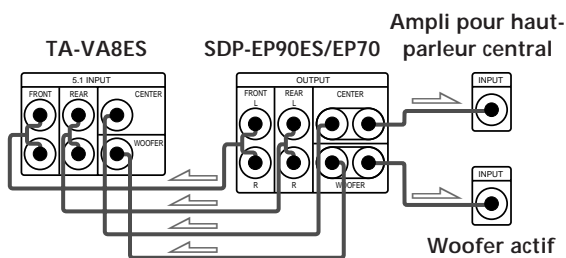
* Si votre lecteur DVD possède une sortie COAXIAL DIGITAL OUTPUT, il est conseillé de raccorder l'entrée COAXIAL DIGITAL INPUT du lecteur DVD sur l'entrée DIGITAL INPUT 4 (COAXIAL IN) de cet appareil au lieu d'effectuer la connexion optique indiquée ci-avant.

** Si votre lecteur LD possède une sortie optonumérique, raccordez-la sur les prises DIGITAL OUTPUT 1~3 de cet appareil. Ce branchement peut être utilisé en même temps que la connexion AC-3 RF.

(continuer page suivante)

💡 Si vous avez un ampli surround supplémentaire à bornes de pré-sortie (tel que le Sony TA-E2000ESD) Vous pouvez le raccorder aux prises BYPASS INPUT de cet appareil. Les signaux provenant de l'ampli raccordé seront alors fournis sans altération au niveau des prises OUTPUT de cet appareil quand vous choisirez BYPASS (cf. page 11 pour les détails).

💡 Si vous avez un haut-parleur central ou un subwoofer actif supplémentaire Branchez l'autre borne CENTER OUTPUT sur l'entrée de l'amplificateur pour votre autre haut-parleur central. Branchez l'autre borne WOOFER OUTPUT sur la borne d'entrée du woofer actif.

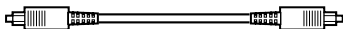


Branchement de composants numériques

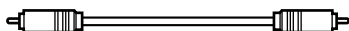
Vous pouvez raccorder les prises de sortie numérique d'une platine DVD, d'une platine DAT/MD, d'un lecteur CD, etc. sur les prises d'entrée numérique (DIGITAL INPUT 1-4) du processeur surround. Vous pouvez également raccorder la borne de sortie AC-3 RF d'un lecteur LD sur la borne d'entrée AC-3 RF INPUT du processeur surround. Vous pouvez raccorder la prise de sortie numérique (DIGITAL OUTPUT) du processeur surround sur une platine DAT/MD.

Quels cordons sont nécessaires?

- Cordon de branchement opto-numérique (non fourni)



- Cordon de branchement numérique coaxial (non fourni)



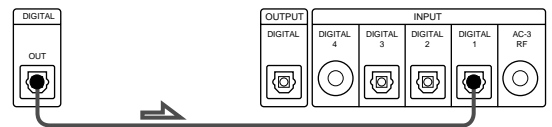
Branchements

La flèche ➡ indique le parcours du signal.

Lecteur DVD

Veillez à raccorder la sortie numérique du lecteur DVD sur une des prises DIGITAL INPUT 1~4 du processeur surround.

Platine DVD

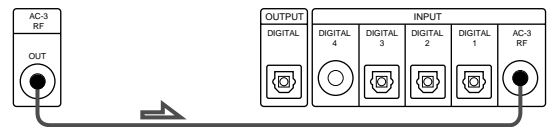


Si votre lecteur DVD possède une sortie COAXIAL DIGITAL OUTPUT, il est conseillé de raccorder l'entrée COAXIAL DIGITAL INPUT du lecteur DVD sur l'entrée DIGITAL INPUT 4 (COAXIAL IN) de cet appareil au lieu d'effectuer la connexion optique indiquée ci-avant.

Lecteur LD

Veillez à raccorder la sortie AC-3 RF du lecteur LD sur les prises AC-3 RF INPUT du processeur surround.

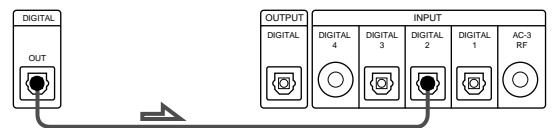
Lecteur LD



Si votre lecteur LD a une sortie opto-numérique, raccordez-la à une des prises DIGITAL INPUT 1~3 de cet appareil. Ce branchement peut être utilisé en même temps que la connexion AC-3 RF.

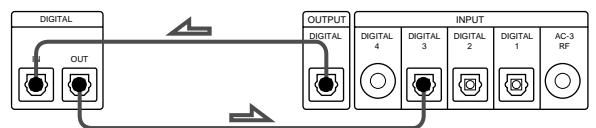
Lecteur CD

Lecteur CD



Platine DAT/MD

Platine DAT/MD



Remarque

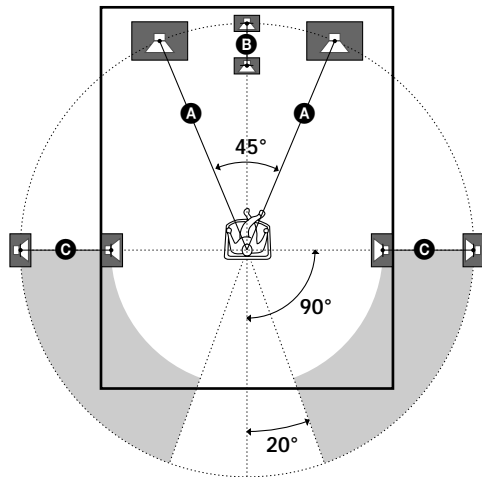
Cet appareil est compatible uniquement avec des composants numériques, utilisant des fréquences d'échantillonnage de 32 kHz, 44,1 kHz ou 48 kHz. Il n'est pas compatible avec la fréquence de 96 kHz.

Disposition des haut-parleurs

Pour obtenir un son surround de la meilleure qualité possible, tous les haut-parleurs doivent être à la même distance de la position d'écoute (A).

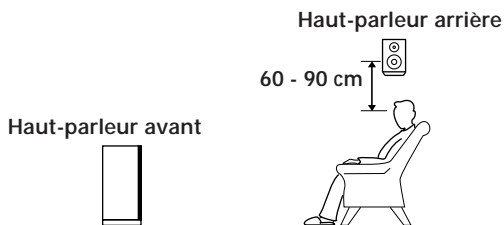
(Cependant, cet appareil vous permet de placer le haut-parleur central (B) jusqu'à 1,5 mètre plus près et les haut-parleurs arrière (C) jusqu'à 4,5 mètres plus près de la position d'écoute.

Les haut-parleurs avant peuvent être placés de 1,0 à 12,0 mètres de la position d'écoute (A.)

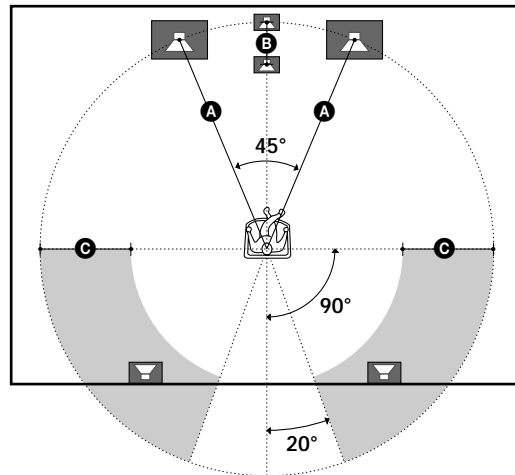


Remarques

- Ne placez pas les haut-parleurs arrière ou central plus loin que les haut-parleurs avant par rapport à la position d'écoute.
- Si vous disposez les haut-parleurs arrière sur des parois latérales perpendiculaires à la position d'écoute, ils doivent être placés entre 60 et 90 cm au-dessus de la position d'écoute.



Selon la forme de la pièce, vous pourrez souhaiter disposer les haut-parleurs arrière derrière vous au lieu de les placer sur les parois latérales. Un avantage de cette disposition, c'est que vous pouvez utiliser une paire de grands haut-parleurs dressés, comparables à vos haut-parleurs avant.



Remarque

Si vous placez les haut-parleurs arrière derrière vous, prenez soin de vérifier le réglage de position des haut-parleurs sur le menu SP. SETUP quand vous employez les champs sonores VIRTUAL MULTI REAR et VIRTUAL REAR SHIFT (cf. les détails en pages 8 et 13).

Avant d'utiliser votre processeur

Avant de mettre votre processeur en service, assurez-vous que:

- vous avez réduit la commande MASTER VOLUME à -20 dB (près de la position centrale).

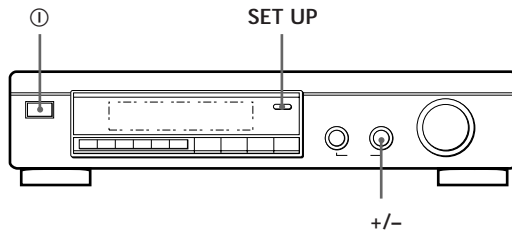
Mettez le processeur sous tension et vérifiez les indicateurs suivants:

- Appuyez sur MUTING de la télécommande si "MUTING ON" apparaît sur l'affichage.
- Appuyez sur BYPASS ou une des touches INPUT si "BYPASS ON" apparaît sur l'affichage.
- Appuyez sur SET UP pour enregistrer le type de haut-parleurs raccordés et leur distance par rapport à la position d'écoute (cf. "Installation des haut-parleurs" à la page suivante).

Installation des haut-parleurs

Pour obtenir les sons surround de la meilleure qualité possible, spécifiez d'abord le type de haut-parleurs raccordés et leur distance par rapport à la position d'écoute. Utilisez ensuite la tonalité d'essai pour ajuster au même niveau le volume des haut-parleurs.

Spécification du type et de la distance des haut-parleurs



- 1 Appuyez sur ① (POWER) du panneau avant pour mettre le processeur sous tension.
- 2 Appuyez sur SET UP.
L'indication "SP · SETUP" apparaît sur l'affichage.
- 3 Appuyez de façon répétée sur SET UP pour sélectionner le paramètre à ajuster.
- 4 Tournez le bouton +/- pour obtenir le réglage souhaité. Le réglage est automatiquement entré.
- 5 Répétez les étapes 3 et 4 ci-dessus jusqu'à ce que tous les paramètres indiqués ci-après soient ajustés.
- 6 Appuyez sur SET UP pour abandonner le mode de réglage.

Taille des haut-parleurs avant

Le réglage initial est : FRONT SP [LARGE]

- Si vous raccordez de grands haut-parleurs qui vont reproduire efficacement les basses fréquences, sélectionnez "LARGE".
- Si vous raccordez de petits haut-parleurs à réponse minimale des basses fréquences, sélectionnez "SMALL" pour activer le circuit de redirection des graves Dolby Digital (AC-3); les basses fréquences des canaux avant sont alors fournies par le subwoofer ou d'autres haut-parleurs "LARGE".

Taille du haut-parleur central

Le réglage initial est : CENTER SP [LARGE]

- Si vous raccordez de grands haut-parleurs qui vont reproduire efficacement les basses fréquences, sélectionnez "LARGE" (mode WIDE).
- Si vous raccordez de petits haut-parleurs à réponse minimale des basses fréquences, sélectionnez "SMALL" pour activer le circuit de redirection des graves Dolby Digital (AC-3); les basses fréquences des canaux avant sont alors fournies par les haut-parleurs avant, le subwoofer ou d'autres haut-parleurs "LARGE" (mode NORMAL).
- Si vous ne raccordez pas de haut-parleur central, sélectionnez "NO" (mode PHANTOM).

Taille des haut-parleurs arrière

Le réglage initial est : REAR SP [LARGE]

- Si vous raccordez de grands haut-parleurs qui vont reproduire efficacement les basses fréquences, sélectionnez "LARGE".
- Si vous raccordez de petits haut-parleurs à réponse minimale des basses fréquences, sélectionnez "SMALL" pour activer le circuit de redirection des graves Dolby Digital (AC-3); les basses fréquences des canaux avant sont alors fournies par les haut-parleurs avant, le subwoofer ou d'autres haut-parleurs "LARGE".
- Si vous ne raccordez pas de haut-parleur central, sélectionnez "NO" (mode 3 CH).

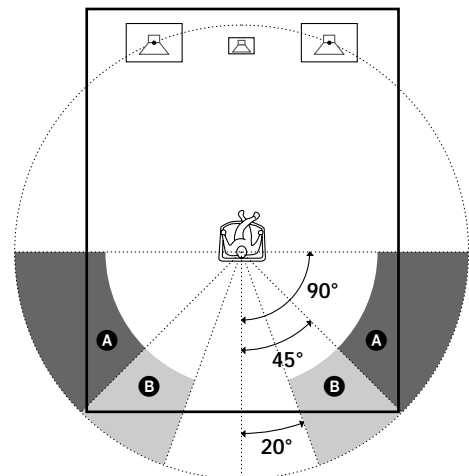
Position des haut-parleurs arrière

Le réglage initial est : REAR SP [SIDE]

Ce paramètre vous permet de spécifier l'emplacement de vos haut-parleurs arrière de façon à restituer adéquatement les modes VIRTUAL REAR SHIFT et VIRTUAL MULTI REAR du son Digital Cinema. Reportez-vous à l'illustration ci-après.

- Réglez sur SIDE si l'emplacement de vos haut-parleurs arrière correspond à la section A.
- Réglez sur BEHIND si l'emplacement de vos haut-parleurs arrière correspond à la section B.

Ce réglage agit seulement en modes VIRTUAL REAR SHIFT et VIRTUAL MULTI REAR.



Sélection du sub-woofer

Le réglage initial est : SUB WOOFER [YES]

- Si vous raccordez un sub-woofer, sélectionnez "YES" pour fournir le canal LFE (effet de basse fréquence) via le sub-woofer.
- Si vous ne raccordez pas un sub-woofer, sélectionnez "NO", ce qui mettra en service le circuit de redirection des graves MPEG/Dolby Digital (AC-3) et fournira les signaux LFE via d'autres haut-parleurs.
- Pour tirer pleinement parti du circuit de redirection des graves Dolby Digital (AC-3), il est conseillé de régler aussi haut que possible la fréquence de coupure du sub-woofer. (Cependant, à l'emploi d'un amplificateur à entrées de canal 5.1, réglez la fréquence de coupure du sub-woofer de manière à correspondre aux caractéristiques de l'amplificateur.

Distance des haut-parleurs avant

Le réglage initial est : FRONT 5.0 meter

Réglez la distance entre votre position d'écoute et le haut-parleur avant (gauche ou droit) (A en page 7).

- La distance des haut-parleurs avant peut être ajustée par palier de 0,1 m entre 1,0 et 12,0 mètres.
- Si les deux haut-parleurs avant ne sont pas disposés à la même distance par rapport à votre position d'écoute, ajustez la distance sur le haut-parleur le plus proche.

Distance du haut-parleur central

Le réglage initial est : CENTER 5.0 meter

Réglez la distance entre votre position d'écoute et le haut-parleur central.

- La distance du haut-parleur central peut être ajustée par palier de 0,1 m d'une distance égale à celle des haut-parleurs avant (A en page 7) jusqu'à 1,5 m plus proche de votre position d'écoute (B en page 7).
- Ne placez pas le haut-parleur central plus loin que les haut-parleurs avant par rapport à votre position d'écoute.

Distance des haut-parleurs arrière

Le réglage initial est : REAR 3.5 meter

Réglez la distance entre votre position d'écoute et les haut-parleurs arrière (gauche ou droit).

- La distance des haut-parleurs arrière peut être ajustée par palier de 0,1 m d'une distance égale à celle des haut-parleurs avant (A en page 7) jusqu'à 4,5 m plus proche de votre position d'écoute (C en page 7).
- Ne placez pas les haut-parleurs arrière plus loin que les haut-parleurs avant par rapport à votre position d'écoute.
- Si les deux haut-parleurs ne sont pas disposés à la même distance par rapport à votre position d'écoute, ajustez la distance sur le haut-parleur le plus proche.



Pour ajuster manuellement la fréquence de pondération des graves de chaque canal

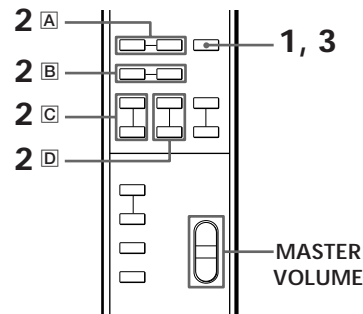
Si les tailles des haut-parleurs avant, central et arrière sont réglées sur "small", la fréquence de pondération des graves est automatiquement réglée à 120 Hz. Pour sélectionner une fréquence différente, réglez le mode du menu sur EXPAND et utilisez les paramètres de pondération des haut-parleurs avant, central et arrière sur le menu d'installation des haut-parleurs.

Pour des détails sur le mode de menu, reportez-vous en page 15.

Pour des détails sur les paramètres de pondération, reportez-vous en page 19.

Réglage du volume des haut-parleurs

Utilisez la télécommande en restant assis à la position d'écoute pour ajuster le volume de chaque haut-parleur.



Remarque

Pour faciliter le réglage du volume des haut-parleurs, cet appareil incorpore une nouvelle tonalité d'essai dont la fréquence est centrée à 800 Hz.

- 1 Appuyez sur TEST.
Vous entendrez successivement la tonalité d'essai de chaque haut-parleur.
- 2 A partir de votre position d'écoute, servez-vous de la télécommande pour ajuster le volume de chaque haut-parleur de sorte que la tonalité d'essai de tous les haut-parleurs soit perçue au même niveau.
 - ▣ A Appuyez sur FRONT BAL L ou R pour ajuster la balance entre les haut-parleurs avant gauche et droit (paliers de ± 8 dB, 0,5 dB).
Pendant ce réglage, la tonalité d'essai est émise simultanément par chaque haut-parleur.
 - ▣ B Appuyez sur REAR BAL L ou R pour ajuster la balance entre les haut-parleurs arrière gauche et droit (paliers de ± 8 dB, 0,5 dB).
Pendant ce réglage, la tonalité d'essai est émise simultanément par chaque haut-parleur.
 - ▣ C Appuyez sur CENTER + ou - pour ajuster le niveau du haut-parleur central (paliers de 0,5 dB).
Pendant ce réglage, la tonalité d'essai est émise par le haut-parleur central.
 - ▣ D Appuyez sur REAR + ou - pour ajuster le niveau des haut-parleurs arrière (paliers de 0,5 dB).
Pendant ce réglage, la tonalité d'essai est émise simultanément par les deux haut-parleurs.
- 3 Appuyez sur TEST pour mettre hors service la tonalité d'essai.

(continuer page suivante)

Pour ajuster d'un coup le volume de tous les haut-parleurs

Utilisez MASTER VOLUME sur le processeur, la télécommande ou votre processeur multicanaux.

A l'emploi d'un amplificateur à entrées de canal 5.1, réglez la commande MASTER VOLUME de cet appareil sur -20 dB (près de la position centrale) et ajustez la commande de volume de l'amplificateur.

Pour ajuster la tonalité d'essai d'un canal particulier

Réglez le mode de menu sur EXPAND et servez-vous du paramètre de tonalité d'essai sur le menu LEVEL ADJUST pour sélectionner le canal souhaité.

Pour des détails sur le mode de menu, reportez-vous en page 15.

Pour des détails sur le paramètre de tonalité d'essai, reportez-vous en page 15.

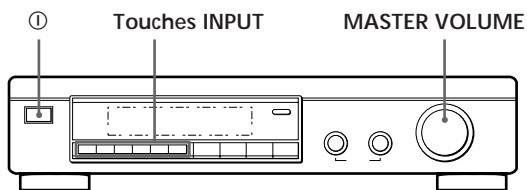
Remarques

- La balance avant, la balance arrière, le niveau central et le niveau arrière sont indiqués sur l'affichage au cours de l'ajustement.
- Bien que ces réglages puissent être effectués également par le menu LEVEL ADJUST à l'aide des boutons du panneau avant, il est conseillé de suivre les étapes décrites ci-avant et d'ajuster les niveaux des haut-parleurs à partir de votre position d'écoute en vous servant de la télécommande.

Sélection d'un composant

Pour écouter ou pour regarder un composant raccordé, sélectionnez d'abord sa fonction sur le processeur ou sur la télécommande. Avant de commencer, assurez-vous des points suivants:

- Tous les composants sont fermement et correctement raccordés comme indiqué aux pages 4 à 7.
- Réduisez la commande MASTER VOLUME à -20 dB (près de la position centrale) (à l'emploi d'un ampli avec entrées de canal 5.1).
- Réduisez la commande MASTER VOLUME à $-\infty$ dB (à l'emploi d'un ampli séparé pour chaque haut-parleur).



- 1 Appuyez sur ① (POWER) pour mettre le processeur sous tension.
- 2 Appuyez sur une touche INPUT pour sélectionner le composant que vous souhaitez utiliser:

| Pour écouter ou regarder | Appuyez sur |
|--------------------------------------------------------------------|--------------------|
| Un lecteur LD raccordé à la prise AC-3 RF INPUT | AC-3 RF |
| Le composant raccordé à la prise d'entrée optique DIGITAL 1, 2, 3* | DIGITAL 1, 2, ou 3 |
| Le composant raccordé à la prise d'entrée coaxiale DIGITAL 4 | DIGITAL 4 |
| Le composant raccordé aux prises d'entrée BYPASS | BYPASS** |

* Les entrées numériques de l'appareil détectent automatiquement les signaux MPEG, Dolby Digital (AC-3), ou PCM. (La borne d'entrée AC-3 RF destinée à un emploi avec les lecteurs CD est réservée au signaux Dolby Digital (AC-3) uniquement.)

- **
- Il se peut que les fonctions de menu ne soient pas disponibles quand l'appareil est réglé au mode "BYPASS ON".
 - Si vous avez raccordé un amplificateur audio supplémentaire (etc.) aux prises BYPASS IN du processeur comme expliqué en page 6, servez-vous du sélecteur de fonction du composant pour sélectionner le composant à écouter (par exemple "CD").
 - Cet appareil passe au mode "BYPASS ON" pendant que son alimentation est coupée.

- 3 Lors d'un branchement à un amplificateur avec entrées de canal 5.1, mettez l'amplificateur sous tension, sélectionnez le composant voulu, puis sélectionnez l'entrée de canal 5.1.
EXEMPLE: Tournez FUNCTION pour sélectionner "LD", puis appuyez sur 5.1 INPUT (pour le Sony TA-VA8ES). A ce moment, réglez sur "0" la commande MASTER VOLUME de votre amplificateur.
- 4 Mettez le composant de source sous tension, par exemple le lecteur de LD, et commencez la lecture.
- 5 Servez-vous de la commande MASTER VOLUME de votre amplificateur pour ajuster le volume.

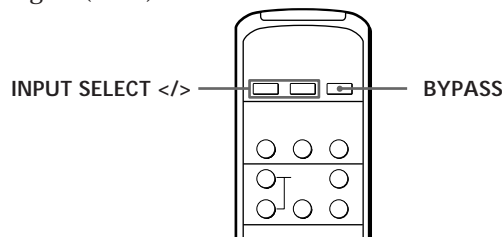
| Afin de | Faites ceci |
|---------------------------------|------------------------------------------------------------------------------|
| Mettre le son en sourdine | Appuyez sur MUTE de la télécommande. Appuyez à nouveau pour rétablir le son. |
| Accentuer les graves | Appuyez sur BASS BOOST pour faire s'allumer le voyant B.BOOST. |
| Eteindre l'affichage | Appuyez sur DISPLAY de la télécommande. |
| Ajuster le niveau du subwoofer* | Appuyez sur SUB WOOFER +/- de la télécommande. |

* Afin de tirer pleinement parti du circuit de redirection des graves MPEG/Dolby Digital (AC-3), il est conseillé de régler aussi haut que possible la fréquence de coupure du subwoofer. (Cependant, à l'emploi d'un amplificateur à entrées de canal 5.1, réglez la fréquence de coupure du subwoofer de manière à correspondre aux caractéristiques de l'amplificateur.)

Emploi de la télécommande

La télécommande vous permet de contrôler le processeur.

EXEMPLE: Pour écouter un disque laser codé en Dolby Digital (AC-3):



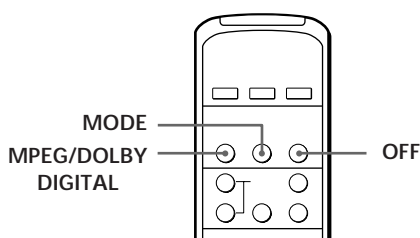
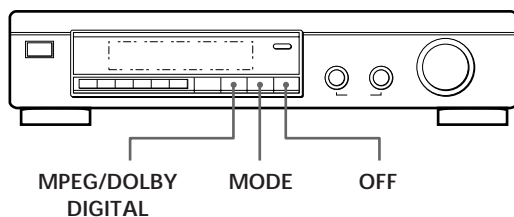
- 1 Appuyez sur ① (POWER) du panneau avant afin de mettre le processeur sous tension.
- 2 Appuyez sur INPUT SELECT < ou > de façon répétée pour afficher l'entrée du composant que vous désirez écouter (ou appuyez sur BYPASS pour afficher "BYPASS ON").
EXEMPLE: Si vous avez raccordé votre lecteur LD sur l'entrée AC-3 RF INPUT, sélectionnez "AC-3 RF".

Sélection d'un Champ Surround

Vous pouvez sélectionner un champ surround en fonction du type de source que vous utilisez.

A la lecture de sources de programme, enregistrées en format MPEG ou Dolby Digital (AC-3), vous pouvez bénéficier du son surround simplement en choisissant "MPEG/DOLBY DIGITAL".

Cet appareil incorpore aussi plusieurs modes sonores pré-programmés, appelés "Digital Cinema Sound". Parmi ces modes surround, sélectionnez celui que vous préférez pour obtenir de puissants effets surround à partir d'un large éventail de sources de programme.



Pour sélectionner un mode MPEG ou Dolby Digital surround

Appuyez sur MPEG/DOLBY DIGITAL.

Normalement, sélectionnez ce mode à la lecture de sources de programme, enregistrées selon le format MPEG ou Dolby Digital (AC-3).

Pour sélectionner Digital Cinema Sound

Appuyez de façon répétée sur MODE jusqu'à ce que le mode souhaité apparaisse sur l'affichage.

Reportez-vous au tableau de la page suivante pour des détails sur les types de modes surround disponibles et sur les effets qu'ils procurent.



Si vous sélectionnez DOLBY SURROUND

Quand le signal entré est un signal PCM, une lecture normale à 2 canaux est obtenue.

Quand le signal entré est un signal Dolby Digital (AC-3), le nombre des canaux reproduits est déterminé automatiquement en fonction des caractéristiques du signal entré.

En mode "DOLBY SURROUND", le nombre des canaux reproduits à partir de la source actuelle de programme apparaît sur l'affichage comme indiqué ci-dessous:

| Affichage | Canaux reproduits |
|---------------------------------------------|----------------------------------------|
| STEREO PCM [xx kHz]* | Lecture PCM normale |
| MPEG AUDIO [1/0]** DOLBY DIGITAL [1/0]** | Canal central seulement (mono) |
| MPEG AUDIO [2/0] DOLBY DIGITAL [2/0] | Avant (G, D) |
| MPEG AUDIO [2/1] DOLBY DIGITAL [2/1] | Avant (G, D) + Arrière (mono) |
| MPEG AUDIO [2/2] DOLBY DIGITAL [2/2] | Avant (G, D) + Arrière (G, D) |
| MPEG AUDIO [3/0]** DOLBY DIGITAL [3/0]** | Avant (G, D) + Centre |
| MPEG AUDIO [3/1] DOLBY DIGITAL [3/1] | Avant (G, D) + Centre + Arrière (mono) |
| MPEG AUDIO [3/2] DOLBY DIGITAL [3/2] | Avant (G, D) + Centre + Arrière (G, D) |
| DOLBY PROLOGIC | Avant (G, D) + Centre + Arrière (G, D) |


* 48 kHz, 44.1 kHz ou 32 kHz est affiché. La fréquence 44,1 kHz est affichée comme "44 kHz".

** L'effet surround n'est pas clairement discernable dans chaque cas.

A la lecture d'une source MPEG ou Dolby Digital (AC-3) à 2 canaux, l'appareil détermine automatiquement le mode Pro Logic de la lecture stéréo à partir des informations fournies par la source du programme.



Pour connaître le codage Dolby Surround, regardez l'emballage du disque.

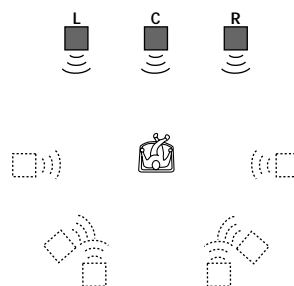
Utilisez des disques portant le logo . Pour bénéficier de la lecture Dolby Digital (AC-3), des disques portant ce logo sont nécessaires.

Digital Cinema Sound

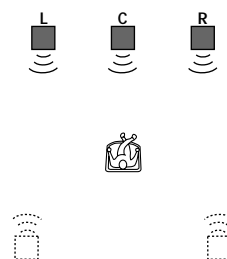
| Mode Surround | Effet |
|---------------------------------------|------------------------------------------------------------------------------------------------------------------------------------------------------------------------------------------------------------------------------------------------------------|
| NORMAL SURROUND | Décode des programmes traités avec MPEG ou Dolby Surround. A utiliser pour décoder des sources 2 canaux par le décodage Dolby Pro Logic. |
| ENHANCED SURROUND | Fournit un meilleur sentiment de présence à partir de sources Pro Logic avec son monaural de canal arrière. Procure un effet imitant la stéréo dans les canaux arrière. |
| LARGE THEATER | Restitue l'acoustique d'une salle de cinéma normale. |
| CINEMA STUDIO A | Reproduit les caractéristiques sonores des studios de production cinéma "Cary Grant Theater" de Sony Pictures Entertainment. |
| CINEMA STUDIO B | Reproduit les caractéristiques sonores des studios de production cinéma "Kim Novak Theater" de Sony Pictures Entertainment. |
| CINEMA STUDIO C | Reproduit les caractéristiques sonores des ateliers de synchronisation Sony Pictures Entertainment. |
| VIRTUAL ENHANCED (SURROUND) A (III.1) | Utilise le simulé sonore 3D pour créer des haut-parleurs arrière virtuels à partir des haut-parleurs avant sans utiliser de véritables haut-parleurs arrière. Les haut-parleurs virtuels sont reproduits comme indiqué sous III.1. |
| VIRTUAL ENHANCED (SURROUND) B (III.2) | Utilise le simulé sonore 3D pour créer des haut-parleurs arrière virtuels à partir des haut-parleurs avant sans utiliser de véritables haut-parleurs arrière. Les haut-parleurs virtuels sont reproduits comme indiqué sous III.2. |
| VIRTUAL REAR SHIFT (III.3) | Utilise le simulé sonore 3D pour décaler le son des haut-parleurs arrière par rapport à la position des haut-parleurs réels. Le décalage dépend du réglage de la position des haut-parleurs arrière (SP. SETUP). |
| VIRTUAL MULTI REAR (III.4) | Utilise le simulé sonore 3D pour créer un jeu de haut-parleurs arrière virtuels à partir d'une simple paire de haut-parleurs réels. La position des haut-parleurs arrière virtuels dépend du réglage de la position des haut-parleurs arrière (SP. SETUP). |
| LARGE HALL | Restitue l'acoustique d'une salle en direct. A utiliser lors de la lecture d'enregistrements de concerts en direct, etc. |
| LIVE HOUSE | Crée un son surround simulé à partir de sources monaurales, telles que de vieux films ou émissions télévisées. |

Pour couper l'effet surround (lecture stéréo 2 canaux)
Appuyez sur OFF (ou sur DIGITAL CINEMA SOUND - OFF de la télécommande). A ce stade, les signaux MPEG ou Dolby Digital (AC-3) sont automatiquement mixés aux signaux avant (gauche et droit).

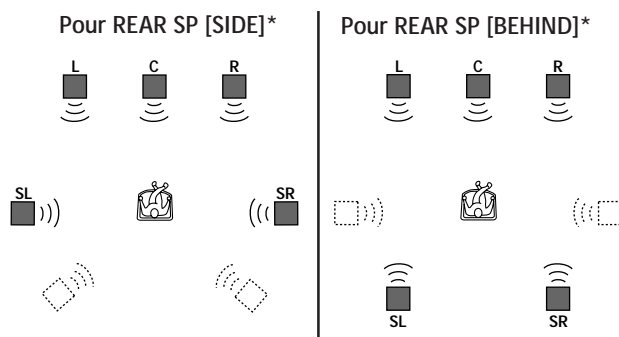
III.1 VIRTUAL ENHANCED (SURROUND) A



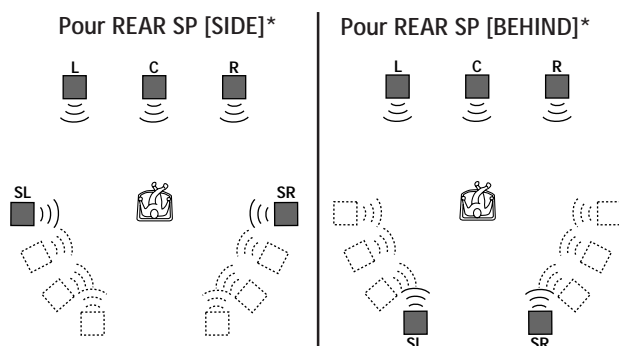
III.2 VIRTUAL ENHANCED (SURROUND) B



III.3 VIRTUAL REAR SHIFT



III.4 VIRTUAL MULTI REAR



L : Haut-parleur avant (gauche)
R : Haut-parleur avant (droit)
C : Haut-parleur central
SL : Haut-parleur arrière (gauche)
SR : Haut-parleur arrière (droit)
□ : Haut-parleur virtuel

* Cf. page 8 pour les détails sur le réglage de la position des haut-parleurs arrière.

(continuer page suivante)

Réglage du niveau d'effet surround (pour les modes Digital Cinema Sound uniquement *)

Vous pouvez rendre le son surround plus accentué en augmentant le niveau de l'effet surround. Cette commande vous permet d'ajuster la "présence" du mode Digital Cinema Surround actuel entre 0% (aucun effet sonore Digital Cinema) et 100% (150%) par paliers de 5%.

* Cet ajustement n'est pas possible en mode NORMAL SURROUND ou ENHANCED SURROUND.

- 1 Lancez la lecture de la source de programme.
- 2 Appuyez de façon répétée sur DIGITAL CINEMA SOUND - MODE de la télécommande pour sélectionner le mode souhaité.
- 3 Appuyez sur EFFECT + ou - de la télécommande pour sélectionner le niveau souhaité. Le niveau de l'effet est indiqué sur l'affichage au cours du réglage. Ce niveau est mémorisé automatiquement.

Remarque

A l'emploi avec certaines sources de lecture, il arrive qu'un changement du niveau de l'effet ne fournisse pas de variations importantes sur l'effet surround.

- ☞ Vous pouvez également ajuster le niveau de l'effet surround à l'aide des commandes du panneau avant. Servez-vous de MENU et des boutons +/- pour ajuster le paramètre du niveau d'effet surround sur le menu SURROUND. Reportez-vous en page 15 pour les détails sur l'utilisation du menu et le paramètre du niveau d'effet surround.

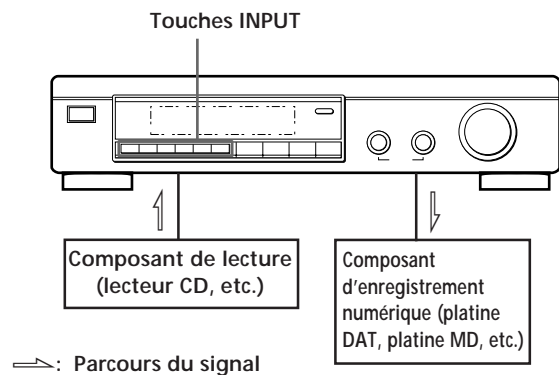
Compression de la plage dynamique (MPEG ou DOLBY DIGITAL (AC-3) seulement)

A l'entrée d'un signal MPEG ou Dolby Digital (AC-3), vous pouvez comprimer la plage dynamique de la piste sonore en faisant appel aux paramètres de compression de la plage dynamique sur le menu SURROUND. Ceci peut s'avérer utile pour regarder un film tard le soir à un volume réduit. Reportez-vous à la page 15 pour des détails sur l'utilisation du menu et à la page 16 pour des détails sur le paramètre de compression de la plage dynamique.

Enregistrement numérique

Ce processeur permet de réaliser facilement des enregistrements numériques à partir des composants qui lui sont raccordés. Il n'est pas nécessaire de raccorder directement des composants de lecture et d'enregistrement.

Avant de commencer, assurez-vous que tous les composants sont correctement raccordés.



EXEMPLE: Enregistrement d'un CD avec emploi d'une platine DAT. Au besoin, consultez le mode d'emploi du lecteur CD et de la platine DAT.

- 1 Appuyez sur DIGITAL 1 (si un lecteur CD est raccordé à l'entrée DIGITAL 1 INPUT) pour sélectionner le lecteur CD.
- 2 Installez une bande audio numérique vierge dans la platine DAT en vue de l'enregistrement.
- 3 Lancez l'enregistrement sur la platine DAT, puis la lecture du CD à enregistrer.

Remarque

Il n'est pas possible d'enregistrer le signal numérique provenant d'une source de programme MPEG ou Dolby Digital (AC-3).

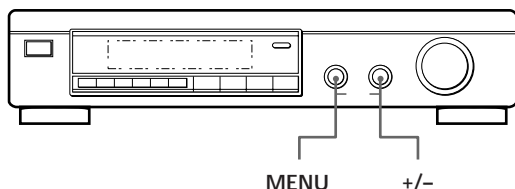
Réglages et ajustements

En faisant appel au menu, vous pouvez personnaliser divers aspects du processeur de manière qu'il convienne à votre milieu d'écoute, vos haut-parleurs, vos composants et vos préférences personnelles. Selon vos besoins, vous pouvez faire votre choix entre deux modes de menu (menu de base et menu élargi).

- Le mode Menu de base (BASIC) permet d'apporter des ajustements généraux aux champs sonores et d'ajuster simultanément tous les réglages des haut-parleurs.
- Le mode Menu élargi (EXPAND) autorise des ajustements individuels plus précis de l'égalisation et de la fréquence de coupure des graves sur les haut-parleurs avant, central et arrière; il permet aussi de déterminer les réglages par défaut des entrées numériques.

Remarque

Si vous passez du mode EXPAND au mode BASIC, les ajustements effectués en mode EXPAND sont conservés. Toutefois, si vous ajustez des paramètres du même menu en mode BASIC, ces réglages changeront en conséquence. Par exemple, quand vous passez au mode Basic, les commandes de tonalité individuelles de chaque haut-parleur (sur le menu EQUALIZER) sont préservées. Cependant, un ajustement individuel sur les commandes de tonalité générales (sur le menu SURROUND) ramène toutes les égalisations aux réglages des haut-parleurs avant.



- 1 Appuyez de façon répétée sur le bouton MENU pour afficher un des menus suivants:

| Mode BASIC | Mode EXPAND |
|-------------------|-------------------|
| Menu LEVEL ADJUST | Menu LEVEL ADJUST |
| Menu SURROUND | Menu SURROUND |
| Menu SP. SETUP | Menu EQUALIZER |
| Menu CUSTOMIZE | Menu SP. SETUP |
| | Menu CUSTOMIZE |

- 2 Tournez le bouton MENU pour sélectionner le paramètre souhaité sur le menu approprié.
- 3 Tournez le bouton +/- pour sélectionner le réglage souhaité. Ce réglage est automatiquement entré.
- 4 Répétez les étapes 1 à 3 pour effectuer tous les réglages nécessaires.

A l'emploi des commandes de la télécommande

- 1 Appuyez de façon répétée sur SELECT pour afficher le menu souhaité.

- 2 Appuyez de façon répétée sur MENU ^/∨ pour sélectionner le paramètre souhaité sur le menu approprié.
- 3 Appuyez de façon répétée sur +/- pour sélectionner le réglage souhaité. Ce réglage est automatiquement entré.
- 4 Répétez les étapes 1 à 3 pour effectuer tous les réglages nécessaires.

Remarque

Selon les réglages actuels et les modes de menu, il se peut que certains postes de menu ne soient pas disponibles pour les ajustements.

Menu LEVEL ADJUST (Réglage du niveau)

Le menu LEVEL ADJUST contient les paramètres de réglage du niveau des haut-parleurs et il vous permet d'équilibrer le niveau de sortie de chaque haut-parleur.

- ☀ La plupart de ces réglages peuvent être effectués directement à l'aide de la télécommande. (Reportez-vous à "Réglage du volume des haut-parleurs" en page 9.)

Tonalité d'essai

Le réglage initial est : TEST TONE OFF

Il est possible de mettre la tonalité d'essai en/hors service.

- Quand le mode Menu est réglé sur BASIC, vous pouvez choisir entre "OFF" et [] auto". La position "[] auto" fournit le même résultat de tonalité d'essai que celui décrit en page 8.
- Quand le mode Menu est réglé sur EXPAND, vous pouvez choisir quel haut-parleur va émettre la tonalité d'essai: [L]: gauche (avant), [C]: central, [R] droit (avant), [SR]: arrière droit ou [SL]: arrière gauche.

Balance de haut-parleurs avant

Le réglage initial est : FRONT L ___|___ R

Il est possible d'ajuster la balance entre les haut-parleurs avant gauche et droit.

- La balance peut s'ajuster entre +8,0 et -8,0 dB par paliers de 0,5 dB.

Balance de haut-parleurs arrière

Le réglage initial est : REAR L ___|___ R

Il est possible d'ajuster la balance entre les haut-parleurs arrière gauche et droit.

- La balance peut s'ajuster entre +8,0 et -8,0 dB par paliers de 0,5 dB.

Niveau de haut-parleur arrière

Le réglage initial est : REAR LEVEL 0 dB

Il est possible d'ajuster le niveau des haut-parleurs arrière (gauche et droit).

- Le niveau peut être ajusté par paliers de 0,5 dB de -20,0 dB à +10,0 dB.
- En sélectionnant MUTE, le son des haut-parleurs arrière est complètement (-∞) coupé. Dans ce cas, le son des haut-parleurs arrière n'est pas fourni par les haut-parleurs avant, etc.

Niveau de haut-parleur central

Le réglage initial est : CENT LEVEL 0 dB

Il est possible d'ajuster le niveau du haut-parleur central.

- Le niveau peut être ajusté par paliers de 0,5 dB de -20,0 dB à +10,0 dB.
- En sélectionnant MUTE, le son des haut-parleurs arrière est complètement ($-\infty$) coupé. Dans ce cas, le son des haut-parleurs arrière n'est pas fourni par les haut-parleurs avant, etc.

Niveau du subwoofer

Le réglage initial est : SUB WOOFER 0 dB

Il est possible d'ajuster le niveau du subwoofer.

- Le niveau peut être ajusté par paliers de 0,5 dB de -20,0 dB à +10,0 dB.
- En sélectionnant MUTE, le son du subwoofer est mis en sourdine.

Menu SURROUND

Le menu SURROUND comporte des paramètres qui vous permettent de personnaliser divers aspects du champ surround actuel. Les réglages disponibles sur ce menu sont mémorisés séparément pour chaque champ surround. Les types de paramètres varient selon le mode Menu.

Niveau d'effet surround (modes Digital Cinema Sound seulement)

Le réglage initial est : SURR.EFFECT 100%

Ce paramètre peut se régler directement à l'aide de EFFECT +/- de la télécommande. Il vous est possible d'ajuster la "présence" de l'effet surround Digital Cinema Sound actuel.

- Le niveau de l'effet peut être ajusté entre 0% (aucun effet Digital Cinema Sound) et 100% (150%) par paliers de 5%.

Niveau de mixage LFE (effet de basse fréquence) (DISCRETE uniquement)

Le réglage initial est : LFE MIX. 0dB

Ce paramètre vous permet d'atténuer la sortie du canal LFE (effet de basse fréquence) du subwoofer sans affecter le niveau des basses fréquences, transmises au subwoofer depuis les canaux avant, central ou arrière par le circuit de redirection des graves.

- Le niveau peut être réglé par paliers de 0,5 dB de -20,0 dB à 0 dB (niveau linéaire). Un réglage à 0 dB fournit le signal LFE total au niveau de mixage, défini par le technicien du son à l'enregistrement.
- En sélectionnant MUTE, le son du canal LFE du subwoofer est coupé. Cependant, les sons de basse fréquence des haut-parleurs avant, central et arrière sont fournis par le subwoofer en fonction des réglages effectués pour chaque haut-parleur lors de l'installation de ceux-ci (Cf. page 8).

Taux de compression de plage dynamique

Le réglage initial est : D.RANGE COMP OFF

Il est possible de comprimer la plage dynamique de la piste sonore. Ceci peut s'avérer utile si vous souhaitez regarder un film tard le soir à un volume réduit.

- OFF reproduit la piste sonore sans aucune compression.
- STD reproduit la piste sonore avec la plage dynamique totale, telle que voulue par le technicien du son à l'enregistrement.
- 0,1 ~ 0,9 vous permet de comprimer la plage dynamique par petits paliers afin d'obtenir le son que vous souhaitez.
- MAX fournit une compression remarquable de la plage dynamique.
- Pendant la reproduction de sources MPEG, le taux de compression est fixé (STD, 0,1 ~ 0,9 et MAX produisent le même effet).

Contrôle de tonalité (ON/OFF) •mode Basic seulement•

Le réglage initial est : TONE CONTROL OFF

Il est possible de mettre en service (ON) ou hors service (OFF) les réglages de contrôle de tonalité BASS et TREBLE. Vous pouvez vous servir de ce réglage pour comparer le son des réglages BASS et TREBLE avec le son du signal original.

- OFF aplatit simultanément les caractéristiques de fréquence de tous les canaux. Si vous ajustez les niveaux des graves ou des aigus après avoir placé le contrôle de tonalité hors service (OFF), la qualité sonore change à partir de la position linéaire (0 dB).
- ON rétablit les caractéristiques de fréquence aux valeurs présentes avant que le contrôle de tonalité ne soit réglé sur OFF.

Ajustement du niveau des graves •mode Basic seulement•

Le réglage initial est : BASS 0 dB

Il est possible d'ajuster simultanément le niveau des basses fréquences des canaux avant (gauche et droit), central et arrière (gauche et droit). Pour ajuster le canal LFE, reportez-vous à "Niveau de mixage LFE (Extension Basse Fréquence)".

- Le niveau peut être ajusté de -10 dB à +10 dB par paliers de 1 dB.
- Le réglage "0dB" représente le niveau linéaire (0 dB).

Ajustement du niveau des aigus •mode Basic seulement•

Le réglage initial est : TREBLE 0 dB

Il est possible d'ajuster simultanément le niveau des hautes fréquences des canaux avant (gauche et droit), central et arrière (gauche et droit).

- Le niveau peut être ajusté de -10 dB à +10 dB par paliers de 1 dB.
- Le réglage "0dB" représente le niveau linéaire (0 dB).

Menu EQUALIZER •mode Expand seulement•

En mode EXPAND, les réglages de ce menu remplacent les réglages de contrôle de tonalité du menu SURROUND. Ce menu comporte les paramètres qui vous permettent d'ajuster individuellement la tonalité des haut-parleurs avant (gauche et droit), central et arrière (gauche et droit).

Egaliseur (ON/OFF)

Le réglage initial est : EQUALIZER ON

Il est possible de mettre en service (ON) ou hors service (OFF) les réglages d'égalisation. Vous pouvez utiliser ce réglage pour comparer les sons obtenus par les réglages d'égaliseur avec ceux du signal original.

- OFF aplatit simultanément les caractéristiques de fréquence de tous les canaux. Si vous ajustez les niveaux des graves ou des aigus après avoir placé le contrôle de tonalité hors service (OFF), la qualité sonore change à partir de la position linéaire (0 dB).
- ON rétablit les caractéristiques de fréquence aux valeurs présentes avant que le contrôle de tonalité ne soit réglé sur OFF.

Réglage des graves des haut-parleurs avant

Niveau : FRONT BASS 0dB

Fréquence : FRONT BASS 250Hz

Servez-vous du bouton +/- pour ajuster le niveau, puis tournez le bouton MENU pour sélectionner la fréquence (Hz), puis servez-vous du bouton +/- pour ajuster la fréquence. Répétez la démarche jusqu'à obtention du son souhaité.

- Le niveau peut être ajusté de +10 dB à -10 dB par paliers de 0,5 dB.

Réglage des aigus des haut-parleurs avant

Niveau : FRONT TREBLE 0dB

Fréquence : FRONT TREBLE 2.5kHz

Ajustez comme expliqué sous "Réglage des graves des haut-parleurs avant".

- Le niveau peut être ajusté de +10 dB à -10 dB par paliers de 0,5 dB.

Réglage des graves du haut-parleur central

Niveau : CENTER BASS 0dB

Fréquence : CENTER BASS 250Hz

Ajustez comme expliqué sous "Réglage des graves des haut-parleurs avant".

- Le niveau peut être ajusté de +10 dB à -10 dB par paliers de 0,5 dB.

Réglage des aigus du haut-parleur central

Niveau : CENTER TREBLE 0dB

Fréquence : CENTER TREBLE 2.5kHz

Ajustez comme expliqué sous "Réglage des graves des haut-parleurs avant".

- Le niveau peut être ajusté de +10 dB à -10 dB par paliers de 0,5 dB.

Réglage des graves des haut-parleurs avant

Niveau : REAR BASS 0dB

Fréquence : REAR BASS 250Hz

Ajustez comme expliqué sous "Réglage des graves des haut-parleurs avant".

- Le niveau peut être ajusté de +10 dB à -10 dB par paliers de 0,5 dB.

Réglage des aigus des haut-parleurs avant

Niveau : REAR TREBLE 0dB

Fréquence : REAR TREBLE 2.5kHz

Ajustez comme expliqué sous "Réglage des graves des haut-parleurs avant".

- Le niveau peut être ajusté de +10 dB à -10 dB par paliers de 0,5 dB.

Menu CUSTOMIZE (personnalisation)

Le menu CUSTOMIZE vous permet de personnaliser divers aspects du fonctionnement de l'appareil. Les paramètres disponibles sur ce menu dépendent du mode Menu (BASIC ou EXPAND).

Mise en sourdine

Le réglage initial est : MUTING OFF

Il est possible de mettre le son en sourdine (même fonction que la touche MUTING de la télécommande).

- ON: met en sourdine le son de tous les haut-parleurs.
- OFF: rétablit le son à son niveau original.

Commande d'intensité d'affichage

Le réglage initial est : DISP. DIMMER 100%

Il est possible d'ajuster la luminosité du panneau d'affichage entre 25% et 100% par paliers de 1%.

Unité de distance •mode Expand seulement•

Le réglage initial est : DIST.UNIT [meter]

Il est possible de choisir entre "mètres" ou "pieds" comme unité pour les réglages de distance. 1 pied correspond à une différence de 1 ms.

Mémoire d'égaliseur •mode Expand seulement•

Le réglage initial est : EQ MEMORY [ON]

- ON: permet de régler l'égaliseur de façon indépendante pour chaque mode surround.
- OFF: permet de fixer l'égaliseur à un réglage pour tous les modes surround.

Annulation de mémoire

Le réglage initial est : MEMORY CLEAR [NO]

Pour annuler la mémoire, sélectionnez [YES] et attendez quelques secondes. Le message "Are you sure?" (Etes-vous certain?) apparaît. Si vous sélectionnez à nouveau [YES] et que vous attendez quelques secondes, l'appareil annule tous les paramètres et il repasse aux valeurs définies en usine. Le message "MEMORY CLEARED!" est affiché en guise de confirmation.

(continuer page suivante)

Sélection du mode de Menu

Le réglage initial est : MENU MODE [BASIC]

Il est possible de choisir entre le menu Basic et le menu Expand:

- Le mode Menu BASIC vous permet d'effectuer des ajustements généraux aux champs sonores et d'ajuster simultanément la tonalité de tous les haut-parleurs.
- Le mode Menu EXPAND vous permet d'effectuer des ajustements individuels et précis sur l'égalisation et sur la fréquence de coupure des graves des haut-parleurs avant, central et arrière, et de déterminer les réglages par défaut pour les entrées numériques.

Remarque

Si vous passez du mode EXPAND au mode BASIC, les ajustements effectués en mode EXPAND sont conservés. Toutefois, si vous ajustez des paramètres du même menu en mode BASIC, ces réglages changeront en conséquence. Par exemple, quand vous passez au mode Basic, les commandes de tonalité individuelles de chaque haut-parleur (sur le menu EQUALIZER) sont préservées. Cependant, un ajustement individuel sur les commandes de tonalité générales (sur le menu SURROUND) ramène toutes les égalisations aux réglages des haut-parleurs avant.



Si vous envisagez d'effectuer des réglages individuels en utilisant le menu EQUALIZER, nous conseillons de commencer en utilisant les commandes de tonalité en mode Menu Basic, puis d'apporter des précisions en passant au mode Expand et en faisant appel à l'égaliseur.

Ajustement précis d'entrée numérique •mode Expand seulement•

Le réglage initial est : INPUT TRIM 0dB

Des composants différents ont souvent des niveaux linéaires différents. Dans ce cas, vous pouvez ajuster le niveau linéaire de chacune des entrées numériques. Les réglages de chaque entrée sont mémorisés de façon indépendante.

Mode d'entrée numérique •mode Expand seulement•

Le réglage initial est : DECODE MODE [AUTO]

Il est possible de spécifier le type de signal à entrer à la prise d'entrée numérique actuelle (AC-3 RF ou DIGITAL 1~4). Les réglages de chaque entrée sont mémorisés de façon indépendante.

- AUTO: L'appareil permute automatiquement entre signaux MPEG, signaux Dolby Digital (AC-3), et signaux PCM.
- AC-3: Tous les signaux d'entrée sont traités comme signaux Dolby Digital (AC-3). Si un signal MPEG ou PCM est fourni à une prise réglée sur AC-3, aucun son ne sera audible.
- MPEG: Tous les signaux d'entrée sont traités comme signaux MPEG. Si un signal Dolby Digital (AC-3) ou PCM est fourni à une prise réglée sur MPEG, aucun son ne sera audible.

Menu SP. SETUP (Installation des haut-parleurs)

Le menu d'installation des haut-parleurs regroupe les paramètres, permettant de définir le type et la taille des haut-parleurs du système. Ces informations sont indispensables à l'obtention d'un son surround réaliste. Un accès aux réglages disponibles par ce menu est également possible en appuyant sur SET UP (Pour des détails, cf. "Installation des haut-parleurs" en page 8).

Taille des haut-parleurs avant

Le réglage initial est : FRONT SP [LARGE]

Reportez-vous en page 8.

Taille du haut-parleur central

Le réglage initial est : CENTER SP [LARGE]

Reportez-vous en page 8.

Taille des haut-parleurs arrière

Le réglage initial est : REAR SP [LARGE]

Reportez-vous en page 8.

Position des haut-parleurs arrière

Le réglage initial est : REAR SP [SIDE]

Reportez-vous en page 8.

Sélection du subwoofer

Le réglage initial est : SUB WOOFER [YES]

Reportez-vous en page 8.

Distance des haut-parleurs avant

Le réglage initial est : FRONT 5.0 meter

Reportez-vous en page 8.

Distance du haut-parleur central

Le réglage initial est : CENTER 5.0 meter

Reportez-vous en page 8.

Distance des haut-parleurs arrière

Le réglage initial est : REAR 3.5 meter

Reportez-vous en page 8.

Fréquence de pondération des haut-parleurs avant •mode Expand seulement•

Le réglage initial est : FRONT SP > 120 Hz

Ce réglage vous permet de sélectionner la fréquence de pondération du filtre de coupure des graves des haut-parleurs avant (gauche et droit).

- Les basses fréquences, inférieures à la fréquence de pondération, sont divisées par le circuit de redirection des graves MPEG/Dolby Digital (AC-3) et elles sont fournies par le subwoofer ou les autres "LARGE" haut-parleurs. Afin d'éviter un écrêtage, les fréquences inférieures à la fréquence de pondération ne sont pas fournies par les haut-parleurs avant.

Fréquence de pondération du haut-parleur central •mode Expand seulement•

Le réglage initial est : CENTER SP > 120 Hz

Ce réglage vous permet de sélectionner la fréquence de pondération du filtre de coupure des graves du haut-parleur central.

- Les basses fréquences, inférieures à la fréquence de pondération, sont divisées par le circuit de redirection des graves MPEG/Dolby Digital (AC-3) et elles sont fournies par le subwoofer ou les autres "LARGE" haut-parleurs. Afin d'éviter un écrêtage, les fréquences inférieures à la fréquence de pondération ne sont pas fournies par le haut-parleur central.

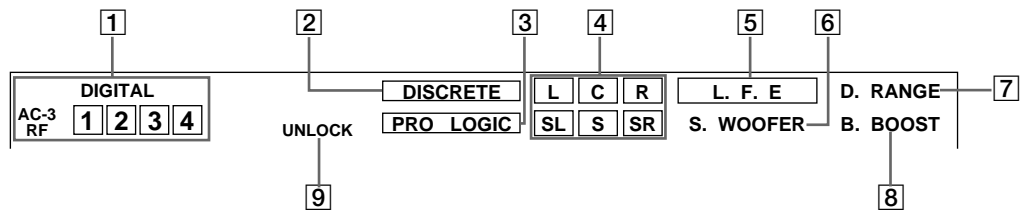
Fréquence de pondération des haut-parleurs arrière •mode Expand seulement•

Le réglage initial est : REAR SP > 120 Hz

Ce réglage vous permet de sélectionner la fréquence de pondération du filtre de coupure des graves des haut-parleurs arrière (gauche et droit).

- Les basses fréquences, inférieures à la fréquence de pondération, sont divisées par le circuit de redirection des graves MPEG/Dolby Digital (AC-3) et elles sont fournies par le subwoofer ou les autres "LARGE" haut-parleurs. Afin d'éviter un écrêtage, les fréquences inférieures à la fréquence de pondération ne sont pas fournies par les haut-parleurs arrière.

Compréhension de l'affichage



- 1** Témoins des sélecteurs d'entrée
Les bornes d'entrée sélectionnées avec les sélecteurs INPUT du panneau avant s'allument.
- 2** DISCRETE
S'allume quand cet appareil décode des signaux enregistrés dans le format MPEG ou Dolby Digital (AC-3) et transmet le nombre de signaux souhaité contenus dans ces signaux. Ne s'allume pas quand le signal de sortie est en stéréo deux canaux ou quand il est mixé parce que la fonction surround est hors service.
- 3** PRO LOGIC
S'allume quand cet appareil applique le traitement Pro Logic aux signaux des deux canaux de manière à transmettre les signaux des canaux central et surround.
- 4** Témoins des canaux de sortie
S'allument pour indiquer quels canaux sont reproduits.
L: Avant gauche R: Avant droit
C: Centre (mono)
SL: Surround arrière gauche
SR: Surround arrière droit
S: Surround arrière (mono ou sons arrière obtenus par traitement Pro Logic).
- Voir page suivante pour plus de détails concernant l'indication du canal.
- Quand vous appuyez sur MPEG/DOLBY DIGITAL, le nombre de canaux du signal reçu est indiqué sur l'afficheur (Exemple: DOLBY DIGITAL [3/2]). Voir la page suivante pour plus de détails.
- 5** L.F.E
Les lettres "L.F.E" s'allument quand le disque reproduit contient un canal LFE (Effect Basse Fréquence). Quand le son du canal LFE est reproduit, le cadre autour des lettres s'allume aussi. Le signal LFE n'étant pas enregistré partout dans le signal d'entrée, le cadre peut s'allumer et s'éteindre de façon répétée pendant la lecture.
- 6** S.WOOFER
S'allume quand la sélection sub woofer est réglée sur "YES", "UNLOCK" ne s'allume pas, et cet appareil détecte l'absence de signal LFE dans le disque en cours de lecture. Pendant que ce témoin est allumé, l'appareil crée un signal sub woofer basé sur les basses fréquences des canaux avant.
- 7** D.RANGE
S'allume quand le paramètre [D.RANGE COMP] du menu n'est pas réglé sur OFF et un signal enregistré dans le format MPEG ou Dolby Digital (AC-3) est reçu par cet appareil. Voir page 16 pour plus de détails concernant ce paramètre.
- 8** B.BOOST
S'allume quand vous appuyez sur la touche BASS BOOST du panneau avant pour accentuer les basses fréquences.
- 9** UNLOCK
S'allume quand cet appareil n'est pas capable de reproduire un signal numérique. Par exemple, cet indicateur peut s'allumer si l'appareil raccordé ne fournit pas de signal, le disque en cours de lecture ne contient pas de signal, ou aucun appareil de lecture n'est branché (etc.).

Affichage du canal de sortie

Cet appareil indique sur quels canaux les signaux sont fournis. L'affichage varie en fonction du nombre d'enceintes raccordées. Voir "Réglage des enceintes et affichage du canal de sortie" du tableau suivant pour plus de détails.

Cet appareil peut aussi afficher le nombre de canaux du signal d'entrée. Pour visualiser cet affichage, appuyez sur MPEG/DOLBY DIGITAL. "MPEG [3/2]" etc. sera affiché. Voir ci-dessous pour plus de détails. Bien que ce tableau indique la quasi totalité des configurations possibles pour les signaux MPEG et Dolby Digital (AC-3), seuls celles précédées de "☆" sont utilisées dans la plupart des cas.

| Format d'enregistrement (Avant/arrière) | Affichage du canal d'entrée | Réglage des enceintes et affichage du canal de sortie | | | |
|-----------------------------------------|-------------------------------------------|-------------------------------------------------------------------------------------------------------------------------------------------------------------------------------------------------------------|-------------------------------------------------------------------------------------------------------------------------------------------------------------------------------------------------------------|--------------------------------------------------------------------------------------------------------------------------------------------------------------------------------------------------|--------------------------------------------------------------------------------------------------------------------------------------------------------------------------------------------------|
| | | Toutes les enceintes présentes | Enceintes arrière absentes | Enceinte centrale absente | Enceintes arrière/centrale absentes |
| 1/0 | MPEG AUDIO [1/0] DOLBY DIGITAL [1/0] | DISCRETE <input checked="" type="checkbox"/> C | DISCRETE <input checked="" type="checkbox"/> C | DISCRETE <input type="checkbox"/> C <input type="checkbox"/> | DISCRETE <input type="checkbox"/> C <input type="checkbox"/> |
| 2/0* | MPEG AUDIO [2/0] DOLBY DIGITAL [2/0] | <input type="checkbox"/> L <input type="checkbox"/> R | <input type="checkbox"/> L <input type="checkbox"/> R | <input type="checkbox"/> L <input type="checkbox"/> R | <input type="checkbox"/> L <input type="checkbox"/> R |
| 3/0 | MPEG AUDIO [3/0] DOLBY DIGITAL [3/0] | DISCRETE <input checked="" type="checkbox"/> L <input checked="" type="checkbox"/> C <input checked="" type="checkbox"/> R | DISCRETE <input checked="" type="checkbox"/> L <input checked="" type="checkbox"/> C <input checked="" type="checkbox"/> R | DISCRETE <input checked="" type="checkbox"/> L <input type="checkbox"/> C <input checked="" type="checkbox"/> R | DISCRETE <input checked="" type="checkbox"/> L <input type="checkbox"/> C <input checked="" type="checkbox"/> R |
| 2/1 | MPEG AUDIO [2/1] DOLBY DIGITAL [2/1] | DISCRETE <input checked="" type="checkbox"/> L <input type="checkbox"/> R <input checked="" type="checkbox"/> S | DISCRETE <input checked="" type="checkbox"/> L <input type="checkbox"/> R <input checked="" type="checkbox"/> S | DISCRETE <input checked="" type="checkbox"/> L <input type="checkbox"/> R <input checked="" type="checkbox"/> S | DISCRETE <input checked="" type="checkbox"/> L <input type="checkbox"/> R <input checked="" type="checkbox"/> S |
| 3/1 | MPEG AUDIO [3/1] DOLBY DIGITAL [3/1] | DISCRETE <input checked="" type="checkbox"/> L <input checked="" type="checkbox"/> C <input checked="" type="checkbox"/> R <input checked="" type="checkbox"/> S | DISCRETE <input checked="" type="checkbox"/> L <input checked="" type="checkbox"/> C <input checked="" type="checkbox"/> R <input checked="" type="checkbox"/> S | DISCRETE <input checked="" type="checkbox"/> L <input type="checkbox"/> C <input checked="" type="checkbox"/> R <input checked="" type="checkbox"/> S | DISCRETE <input checked="" type="checkbox"/> L <input type="checkbox"/> C <input checked="" type="checkbox"/> R <input checked="" type="checkbox"/> S |
| 2/2 | MPEG AUDIO [2/2] DOLBY DIGITAL [2/2] | DISCRETE <input checked="" type="checkbox"/> L <input type="checkbox"/> R <input checked="" type="checkbox"/> SL <input checked="" type="checkbox"/> SR | DISCRETE <input checked="" type="checkbox"/> L <input type="checkbox"/> R <input checked="" type="checkbox"/> SL <input checked="" type="checkbox"/> SR | DISCRETE <input checked="" type="checkbox"/> L <input type="checkbox"/> R <input checked="" type="checkbox"/> SL <input checked="" type="checkbox"/> SR | DISCRETE <input checked="" type="checkbox"/> L <input type="checkbox"/> R <input checked="" type="checkbox"/> SL <input checked="" type="checkbox"/> SR |
| 3/2 | ☆MPEG AUDIO [3/2] ☆DOLBY DIGITAL [3/2] | DISCRETE <input checked="" type="checkbox"/> L <input checked="" type="checkbox"/> C <input checked="" type="checkbox"/> R <input checked="" type="checkbox"/> SL <input checked="" type="checkbox"/> SR | DISCRETE <input checked="" type="checkbox"/> L <input checked="" type="checkbox"/> C <input checked="" type="checkbox"/> R <input checked="" type="checkbox"/> SL <input checked="" type="checkbox"/> SR | DISCRETE <input checked="" type="checkbox"/> L <input type="checkbox"/> C <input checked="" type="checkbox"/> R <input checked="" type="checkbox"/> SL <input checked="" type="checkbox"/> SR | DISCRETE <input checked="" type="checkbox"/> L <input type="checkbox"/> C <input checked="" type="checkbox"/> R <input checked="" type="checkbox"/> SL <input checked="" type="checkbox"/> SR |
| 2/0** | ☆MPEG AUDIO [2/0] ☆DOLBY DIGITAL [2/0] | <input type="checkbox"/> L <input type="checkbox"/> C <input type="checkbox"/> R PRO LOGIC <input checked="" type="checkbox"/> S | <input type="checkbox"/> L <input type="checkbox"/> C <input type="checkbox"/> R PRO LOGIC <input checked="" type="checkbox"/> S | <input type="checkbox"/> L <input type="checkbox"/> C <input type="checkbox"/> R PRO LOGIC <input checked="" type="checkbox"/> S | <input type="checkbox"/> L <input type="checkbox"/> C <input type="checkbox"/> R PRO LOGIC <input checked="" type="checkbox"/> S |
| | ☆DOLBY PROLOGIC | <input type="checkbox"/> L <input type="checkbox"/> C <input type="checkbox"/> R PRO LOGIC <input checked="" type="checkbox"/> S | <input type="checkbox"/> L <input type="checkbox"/> C <input type="checkbox"/> R PRO LOGIC <input checked="" type="checkbox"/> S | <input type="checkbox"/> L <input type="checkbox"/> C <input type="checkbox"/> R PRO LOGIC <input checked="" type="checkbox"/> S | <input type="checkbox"/> L <input type="checkbox"/> C <input type="checkbox"/> R PRO LOGIC <input checked="" type="checkbox"/> S |
| | ☆STEREO PCM**(kHz) | <input type="checkbox"/> L <input type="checkbox"/> R | <input type="checkbox"/> L <input type="checkbox"/> R | <input type="checkbox"/> L <input type="checkbox"/> R | <input type="checkbox"/> L <input type="checkbox"/> R |

* Sans Pro Logic

** Quand le mode Pro Logic est activé ou un effet surround de type cinéma (CINEMA STUDIO A-C, etc.) est Sélectionné.

Guide de dépannage

En présence d'une difficulté alors que vous utilisez ce processeur, servez-vous de ce guide pour localiser et corriger le problème. Si la difficulté persiste, veuillez consulter un concessionnaire Sony.

Absence de son ou seulement un son de très faible niveau est audible.

- ➔ Vérifiez si les haut-parleurs et les composants sont raccordés correctement.
- ➔ Appuyez sur MUTING si "MUTING ON" apparaît sur l'affichage.
- ➔ Vérifiez que le composant correct a été sélectionné sur le processeur.
- ➔ Vérifiez que l'entrée correcte a été sélectionnée sur l'amplificateur multi-canaux.
- ➔ Quand le mode de menu est réglé sur EXPAND, vérifiez que le réglage du mode d'entrée numérique a été fait correctement sur le menu CUSTOMIZE (cf. page 17).

Les sons de gauche et de droite sont déséquilibrés ou inversés.

- ➔ Vérifiez si les haut-parleurs et les composants sont raccordés correctement.

Un ronflement ou des parasites importants sont audibles.

- ➔ Vérifiez si les haut-parleurs et les composants sont raccordés correctement.
- ➔ Vérifiez que les cordons de branchement sont écartés d'un transformateur ou d'un moteur et à au-moins 10 pieds (3 mètres) d'un téléviseur ou d'une lampe fluorescente.
- ➔ Ecartez votre téléviseur de vos composants audio.
- ➔ Les fiches et les prises sont souillées. Frottez-les avec un linge légèrement humecté d'alcool.

Absence de son ou seulement un son de très faible niveau est audible.

- ➔ Vérifiez que le paramètre de taille des haut-parleurs arrière soit "Petit" ou "Grand" sur le menu SP. SETUP (cf. page 8).
- ➔ Ajustez correctement le volume des haut-parleurs (cf. page 9).
- ➔ Vérifiez que le mode Surround est en service (cf. page 12).

Aucun son n'est audible par le haut-parleur central.

- ➔ Vérifiez que le paramètre de taille des haut-parleurs arrière soit "Petit" ou "Grand" sur le menu SP. SETUP (cf. page 8).
- ➔ Ajustez correctement le volume des haut-parleurs (cf. page 9).

Impossible d'obtenir l'effet surround.

- ➔ Vérifiez que le mode Surround est en service (cf. page 12).
- ➔ Appuyez sur EFFECT + de la télécommande à l'emploi du mode Digital Cinema Sound afin d'accroître la présence de l'effet surround (cf. page 14).

Absence d'image ou une image floue est obtenue sur l'écran du téléviseur.

- ➔ Sélectionnez la fonction adéquate sur votre amplificateur multi-canaux.
- ➔ Ecartez votre téléviseur de vos composants audio.

Un enregistrement numérique n'est pas possible.

- ➔ Vérifiez que les composants sont correctement raccordés.
- ➔ Il n'est pas possible d'enregistrer numériquement des sources MPEG ou Dolby Digital (AC-3) sur une platine DAT ou MD.

La télécommande n'agit pas.

- ➔ Orientez la télécommande vers le capteur (R) du processeur.
- ➔ Éliminez les obstacles entre la télécommande et le processeur.
- ➔ Si elles sont usées, remplacez les piles de la télécommande par des neuves.
- ➔ Assurez-vous que la fonction BYPASS est hors service (OFF).

Le message "Turn POWER SW off!" est affiché et aucun son n'est audible.

- ➔ Il se peut que la température intérieure de l'appareil ait dépassé le niveau normal de fonctionnement. Si l'appareil est installé dans un rack, retirez-le de celui-ci et essayez de le remettre sous tension. Si la difficulté persiste, mettez l'appareil hors tension et consultez un concessionnaire Sony.

Données techniques

| | |
|-------------------------|--------------------------------------------------------------------------------------------------------|
| Entrées numériques | Optique: 3 Coaxiale: 1 AC-3 RF: 1 |
| Sorties numériques | Optique: 1 |
| Entrées dérivées | Avant (G D), Arrière (G D), Centrale, Woofer |
| Sorties analogiques | Avant (G D), Arrière (G D), Centrale, Woofer Niveau de sortie: 1V Impédance de sortie: 1 kilohms |
| Accentuation des graves | +5 dB à 60 Hz |
| Alimentation | 220-230 V, 50/60 Hz |
| Consommation | 50 W |
| Dimensions | 430 x 98 x 355,5 mm (17 x 3 7/8 x 14 pouces) |
| Poids | Env. 6,5 kg (14 livres 5 onces) |
| Accessoires fournis | Voir page 4. |

Conception et spécifications sous réserve de changement sans préavis.

Glossaire

Mode de canal central

Un réglage utilisé par le mode Dolby Pro Logic Surround pour déterminer quel genre de traitement du signal est requis pour produire l'effet surround avec les haut-parleurs raccordés. Le mode de canal central est déterminé automatiquement en fonction du réglage des paramètres de taille des haut-parleurs sur le menu SP. SETUP. Le circuit Dolby Digital (AC-3) de ce processeur procure une plage de réglages plus variée que le réglage du mode de canal central, autorisé par le Dolby Pro Logic. A titre de référence, le tableau suivant indique la relation entre les paramètres de taille de haut-parleurs de Dolby Digital (AC-3) et du mode Dolby Pro Logic.

FS = Taille de haut-parleurs avant
CS = Taille de haut-parleur central
RS = Taille de haut-parleurs arrière
C.Mode = Mode de canal central du Dolby Pro Logic

| FS | CS | RS | C.Mode |
|-------|-------|-------|---------|
| SMALL | SMALL | SMALL | — |
| LARGE | SMALL | SMALL | NORMAL |
| SMALL | SMALL | LARGE | — |
| LARGE | SMALL | LARGE | NORMAL |
| LARGE | LARGE | SMALL | WIDE |
| LARGE | LARGE | LARGE | WIDE |
| SMALL | LARGE | SMALL | — |
| SMALL | LARGE | LARGE | — |
| SMALL | NO | SMALL | — |
| LARGE | NO | SMALL | PHANTOM |
| LARGE | NO | LARGE | PHANTOM |
| SMALL | NO | LARGE | — |
| LARGE | SMALL | NO | — |
| LARGE | LARGE | NO | 3CH |
| SMALL | SMALL | NO | — |
| SMALL | LARGE | NO | — |

Dolby Digital (AC-3)

Il s'agit d'un nouveau système surround numérique proposé afin de restituer chez soi le Dolby SR-D (le système sonore tri-dimensionnel mis au point en vue d'une utilisation dans les salles de cinéma). Cette technologie vous permet de bénéficier dans le confort de votre foyer de la piste sonore, telle qu'elle a été créée par le réalisateur du film.

MPEG AUDIO

Système de codage standard international pour la compression des signaux audio numériques suivant les normes ISO/IEC. Le système MPEG 1 est compatible avec le son stéréo à 2 canaux. Le système MPEG 2 utilisé sur les DVD est compatible avec le son spatial à canal 7.1. Il assure la compatibilité en amont - vous pouvez reproduire une plage sonore MPEG 2 sur un lecteur compatible avec le système MPEG 1.

Digital Cinema Sound

Application de la technologie du traitement du signal numérique de Sony pour décaler le son par rapport à la position réelle du haut-parleur et simuler l'information de direction sonore, produite par plusieurs haut-parleurs, disposés à des endroits autour et derrière la position d'écoute.

Le nombre et l'angle des haut-parleurs simulés (virtuels) ont été mis au point pour simuler le son, obtenu par l'arrangement réel des haut-parleurs dans les salles de montage de Sony Pictures Entertainment à Hollywood. Ces modes sonores vous permettent de bénéficier, dans le confort de votre foyer, d'une restitution fidèle de l'environnement sonore, envisagé par le réalisateur du film.

Surround Dolby Pro Logic

C'est un système de décodage du son surround Dolby utilisé pour les programmes TV et les films. Comparé au système surround Dolby précédent, le nouveau système surround Dolby Pro Logic améliore l'image sonore grâce à l'utilisation de quatre canaux séparés: les effets sonores hors-écran (off-screen), les dialogues sur écran (on-screen), le panorama gauche-droite et la musique. Ces canaux manipulent le son afin d'accentuer l'action en temps réel. Pour pouvoir profiter pleinement de l'effet Dolby Pro Logic, vous devez avoir au moins deux enceintes arrière et/ou une enceinte centrale. Vous devez également régler le mode de canal central approprié.

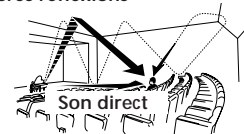
Surround Dolby

C'est un système de codage et de décodage du son surround Dolby pour usage grand public. Le système surround Dolby décode les canaux supplémentaires des pistes sonores codées en surround Dolby des films vidéo et des programmes TV pour produire des effets sonores et des échos qui donnent l'impression de se trouver au cœur de l'action.

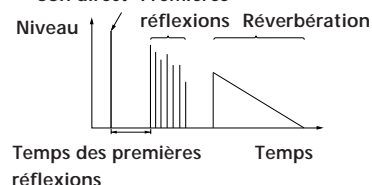
Son surround

Le son surround comprend trois éléments: le son direct, le son immédiatement réfléchi (premières réflexions) et le son réverbéré (réverbération). Ces trois éléments sont affectés par l'acoustique de la pièce. La combinaison de ces trois éléments permet de recréer l'environnement sonore d'une salle de concert.

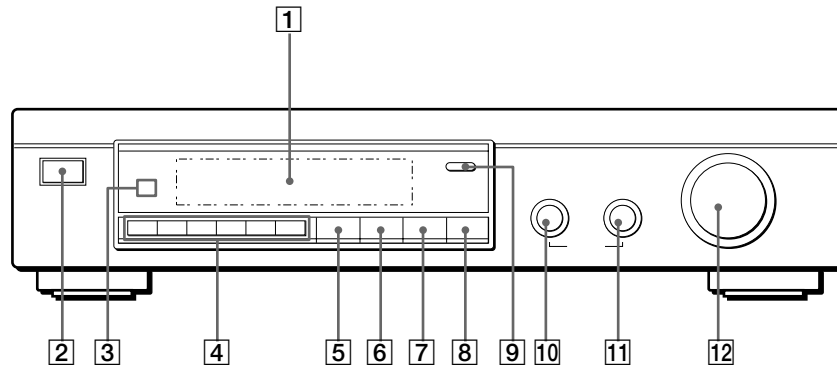
- Types de son
Premières réflexions Réverbération



- Evolution du son des enceintes arrière
Son direct Premières réflexions Réverbération

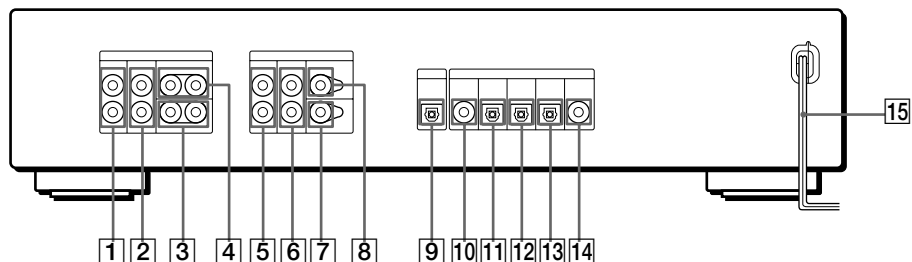


Nomenclature du panneau avant



- | | | |
|------------------------------------|--------------------------------------------------|--------------------------------------------------|
| 1 Affichage | 5 Accentuation graves (BASS BOOST) | 9 Installation (SET UP) |
| 2 Alimentation (POWER) | 6 Format MPEG/Dolby Digital (MPEG/DOLBY DIGITAL) | 10 MENU |
| 3 Capteur de télécommande (centre) | 7 MODE | 11 +/- |
| 4 Sélecteurs d'entrée (INPUT) | 8 Mise hors service (OFF) | 12 Commande principale de volume (MASTER VOLUME) |

Nomenclature du panneau arrière



- | | | |
|------------------------------------------------------|---------------------------------------------------------------|-------------------------------------------------|
| 1 Sortie Avant FRONT L (gauche) et R (droite) | 6 Entrée Bypass Arrière REAR L (gauche) et R (droite) | 11 Entrée numérique (DIGITAL INPUT 3) (optique) |
| 2 Sortie Arrière FRONT L (gauche) et R (droite) | 7 Entrée Bypass de woofer (WOOFER BYPASS INPUT) | 12 Entrée numérique (DIGITAL INPUT 2) (optique) |
| 3 Sorties woofer (WOOFER OUTPUT) | 8 Entrée Bypass de haut-parleur central (CENTER BYPASS INPUT) | 13 Entrée numérique (DIGITAL INPUT 1) (optique) |
| 4 Sortie haut-parleur central (CENTER OUTPUT) | 9 Sortie numérique (DIGITAL OUTPUT) (optique) | 14 Entrée AC-3 RF (AC-3 RF INPUT) |
| 5 Entrée Bypass Avant FRONT L (gauche) et R (droite) | 10 Entrée numérique (DIGITAL INPUT 4) (coaxiale) | 15 Cordon d'alimentation secteur |

Index

A, B

- Branchements 4
- Branchements des composants audio 4
- Branchement des composants numériques 6

C

- Commandes de tonalité 16
- Connexions, cf. Branchements 4

D

- Déballage 4
- Digital Cinema Sound 13
- Dolby Digital (AC-3) 23
- Dolby Pro Logic Surround 23
- Dolby Surround Sound 23

E, F

- Enregistrement audio numérique 14

G

- Guide de dépannage 22

H, I, J, K, L

- Haut-parleurs
 - distance 7, 9
 - emplacement 7
 - fréquence de coupure 9, 19
 - installation 8
 - mode (taille) 8
 - niveau de volume 9
- Haut-parleurs arrière
 - balance 9
 - distance 7, 9
 - emplacement 7
 - fréquence de coupure 9, 19
 - mode (taille) 8
 - niveau de volume 9
- Haut-parleurs avant 22
 - balance 9
 - distance 7, 9
 - emplacement 7
 - fréquence de coupure 9, 18
 - mode (taille) 8
- Haut-parleur central
 - distance 7, 9
 - emplacement 7
 - fréquence de coupure 9, 19
 - mode (taille) 8
 - niveau de volume 9

M, N

- Menu Egaliseur (EQUALIZER) 17
- Menu Installation des haut-parleurs (SP.SETUP) 18
- Menu Personnalisé (CUSTOMIZE) 17
- Menu Réglage de niveau (LEVEL ADJUST) 15
- Mode de Menu de base (Basic) 15, 18
- Mode de Menu élargi (Expand) 15, 18
- MPEG 23

O

- Opérations par menu 15

P, Q

- Panneau arrière 24
- Panneau avant 24

R

- Réglage
 - niveau d'effet 14
 - volume 11
 - volume des haut-parleurs 9

S

- Sélection de la source de programme 11
- sélection par la télécommande 11
- Son Dolby Surround 21
- Subwoofer
 - branchements 4, 5, 6
 - mode 9, 16
 - niveau 16

T, U, V, W, X, Y, Z

- Tonalité d'essai 9, 15

ADVERTENCIA

Para evitar incendios y el riesgo de electrocución, no exponga la unidad a la lluvia ni a la humedad.

Para evitar descargas eléctricas, no abra la unidad. En caso de avería, solicite los servicios de personal cualificado.

No instale el aparato en un espacio cerrado, como una estantería para libros o un armario empotrado.

Precauciones

Seguridad

- Si dentro del procesador cae algún objeto sólido o líquido, desenchúfelo y haga que sea revisado por personal cualificado.

Fuentes de alimentación

- Antes de utilizar el procesador, compruebe si su tensión de alimentación es idéntica a la de la red local. La tensión de alimentación está indicada en la placa de características de la parte posterior del procesador.
- El procesador no se desconectará de la fuente de alimentación de CA (red) mientras permanezca enchufado a una toma de la misma, incluso aunque ponga en OFF su interruptor de alimentación.
- Cuando no vaya a utilizar el procesador durante mucho tiempo, desenchúfelo de la red. Para desconectar el cable de alimentación, tire del enchufe. No tire nunca del propio cable.
- El cable de alimentación de CA solamente deberá ser cambiado en un taller de reparaciones cualificado.

Ubicación

- Coloque el procesador en un lugar adecuadamente ventilado para evitar el recalentamiento interior y prolongar su duración útil.
- No coloque el procesador cerca de fuentes térmicas, ni sometido a la luz solar directa, polvo excesivo, ni a los golpes.
- No coloque nada sobre el procesador, ya que podría bloquear los orificios de ventilación y provocar su mal funcionamiento.

Operación

- Antes de conectar otros componentes, cerciórese de poner en OFF el interruptor de alimentación de este procesador y de desconectarlo de la toma de la red.

Limpieza

- Limpie la caja, los paneles, y los controles con un paño suave ligeramente humedecido en una solución poco concentrada de detergente. No utilice ningún tipo de estropajos, polvos abrasivos, ni disolventes como alcohol o bencina.

Si tiene cualquier pregunta o problema en relación con su procesador, consulte a su proveedor Sony más cercano.

Descripción de este manual

Convencionalismos

- En este manual de instrucciones se describen los controles del procesador. Usted también podrá utilizar los controles del telemando si poseen nombres iguales o similares a los del procesador.
- En este manual se utilizan los iconos siguientes:




Indica que usted podrá utilizar el telemando para realizar la tarea.



Indica consejos y sugerencias para facilitar las tareas.

Este procesador posee el sistema Dolby Surround.

Fabricado bajo licencia de Dolby Laboratories Licensing Corporation. DOLBY, el símbolo de la doble D , AC-3 y PRO LOGIC son marcas de Dolby Laboratories Licensing Corporation.

ÍNDICE

Preparativos

- Desembalaje 4
- Conexión del sistema 4
- Ubicación de los altavoces 7
- Antes de utilizar su procesador 7
- Configuración de los altavoces 8

Operaciones del procesador

- Selección de un componente 11
- Selección de un campo perimétrico 12
- Grabación digital 14
- Ajustes 15
- Descripción del visualizador 20

Información adicional

- Solución de problemas 22
- Especificaciones 23
- Glosario 23

Descripción del panel frontal 24

Descripción del panel posterior 24


Índice alfabético 25

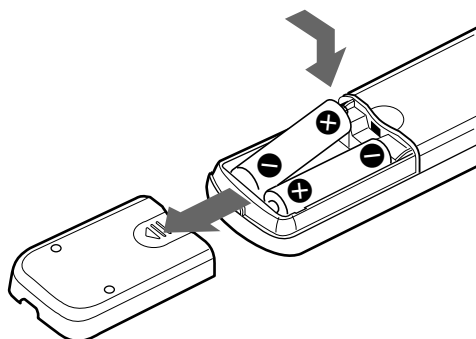
Desembalaje

Compruebe si ha recibido los accesorios siguientes con el procesador:

- Telemando (1)
- Pilas de tamaño AA (R6) (2)
- Cables conectores (3)

Colocación de las pilas en el telemando

Inserte dos pilas de tamaño AA (R6) de acuerdo con + y - del compartimiento de las mismas. Cuando utilice el telemando, apunte con él hacia el sensor de control remoto  del procesador.



Cuando reemplazar las pilas

En utilización normal, las pilas durarán unos 6 meses. Cuando el telemando no pueda controlar el procesador, reemplace ambas pilas por otras nuevas.

Notas

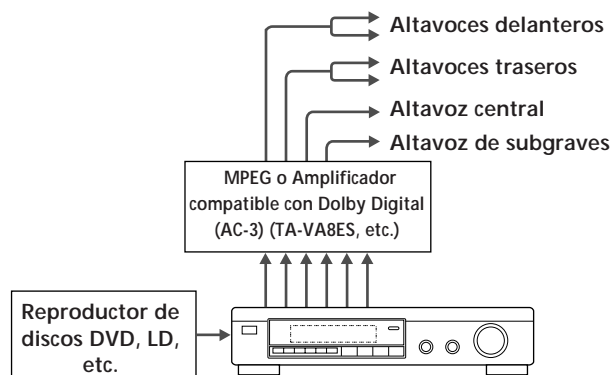
- No deje el telemando en un lugar extremadamente cálido ni húmedo.
- No utilice una pila nueva con otra vieja.
- No exponga el sensor de control remoto a la luz solar directa ni a la de aparatos de iluminación. Si lo hiciese, podría causar un mal funcionamiento.
- Cuando no vaya a utilizar el telemando durante mucho tiempo, extráigale las pilas a fin de evitar el daño que podría causar el electrólito de las mismas.

Conexión del sistema

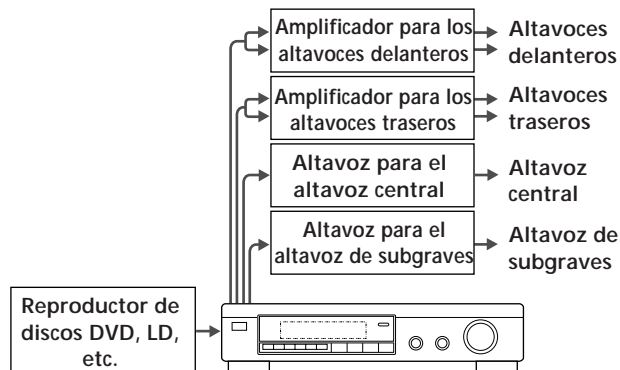
El procesador perimétrico le permitirá conectar hasta 5 componentes fuente de audio (vídeo) digitales, como un reproductor de discos DVD o LD con salida de radiofrecuencia AC-3.

En la ilustración de la derecha se indica cómo realizar las conexiones entre sus componentes fuente de audio (vídeo) digitales y su amplificador multicanal.

- Conexión de un amplificador con entradas de 5.1 canales



- Conexión de amplificadores separados para cada altavoz

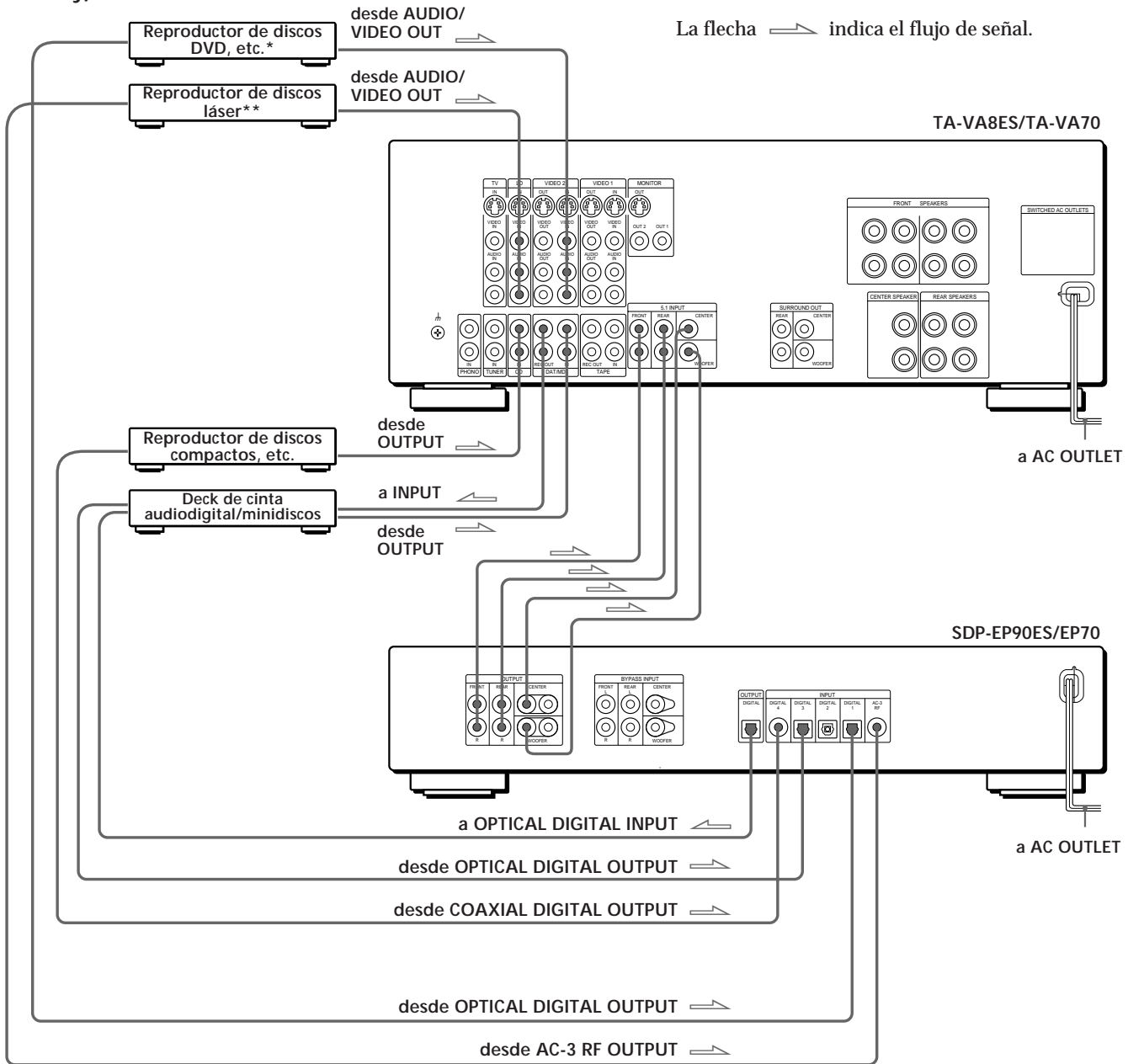


1 Conecte los terminales OUTPUT del procesador perimétrico a las entradas para los canales delanteros (izquierdo y derecho), traseros (izquierdo y derecho), central, y de subgraves de su amplificador (para el TA-VA8ES/TA-VA70, realice la conexión a los terminales 5.1 INPUT como se muestra en la página siguiente).

2 Conecte las salidas (entrada) de audio digital de cada componente a los terminales apropiados de la parte posterior del procesador perimétrico. Las entradas digitales de esta unidad detectan automáticamente señales digitales MPEG, Dolby (AC-3), o PCM. El terminal de entrada AC-3 RF para utilización con reproductores de discos láser es para señales Dolby Digital (AC-3) solamente.

Conexión de un amplificador con entradas de 5.1 canales (como el TA-VA8ES/TA-VA70, etc., Sony)

La flecha  indica el flujo de señal.



Notas sobre la conexión

- No conecte el cable de alimentación a un tomacorriente de la red ni presione el interruptor ① (POWER) antes de haber finalizado todas las conexiones.
- Las clavijas de los cables deberán insertarse completamente en las tomas. Una conexión floja podría causar zumbidos y ruidos.
- Las clavijas y las tomas de los cables conectores están codificadas en color de la forma siguiente:
Clavijas y tomas amarillas: Señal de vídeo
Clavijas y tomas rojas: Canal de audio derecho
Clavijas y tomas blancas: Canal de audio izquierdo

Usted podrá utilizar los cables rojos o blancos para conectar el altavoz central y el altavoz de subgraves.

- * Si su reproductor de discos DVD posee toma COAXIAL DIGITAL OUTPUT, le recomendamos que conecte la toma COAXIAL DIGITAL INPUT 4 (COAXIAL IN) en vez de realizar la conexión óptica mostrada arriba.

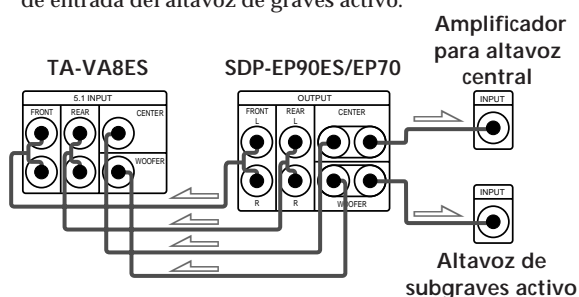
- ** Si su reproductor de discos láser posee salida digital óptica, conéctela a una de las tomas DIGITAL INPUT 1-3 de esta unidad.

Esta conexión podrá utilizarse junto con la conexión de AC-3 RF.

(continúa)

Si posee un amplificador perimétrico opcional con terminales de preamplificación (como el TA-E2000ESD Sony) Usted podrá conectarlo a las tomas BYPASS INPUT de esta unidad. Las señales procedentes del amplificador conectado saldrán sin alteración a través de las tomas OUTPUT de la unidad cuando seleccione BYPASS (con respecto a los detalles, consulte la página 11).

Si posee un altavoz central adicional o un altavoz de subgraves activo Conecte el otro terminal CENTER OUT a la entrada del amplificador para su otro altavoz central. Conecte el otro terminal WOOFER OUTPUT al terminal de entrada del altavoz de graves activo.

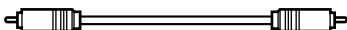
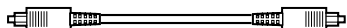


Conexión de componentes digitales

Usted podrá conectar las tomas de salida digital de un reproductor de discos DVD, deck de cinta audiodigital/minidiscos, reproductor de discos compactos (etc.) a las tomas de entrada digital del procesador perimétrico (DIGITAL INPUT 1-4). Usted también podrá conectar el terminal de salida AC-3 RF de un reproductor de discos láser al terminal AC-3 RF INPUT del procesador perimétrico. Usted también podrá conectar la toma de salida digital del procesador perimétrico (DIGITAL OUTPUT) a un deck de cinta audiodigital/minidiscos.

¿Qué cables se necesitan?

- Cable conector digital óptico (no suministrado)
- Cable conector digital coaxial (no suministrado)

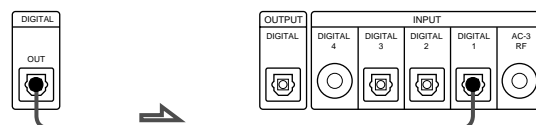


Conexiones

La flecha indica el flujo de señal.

Reproductor de discos DVD
Cerciórese de conectar la salida digital del reproductor de discos DVD a una de las tomas DIGITAL INPUT 1-4 del procesador perimétrico.

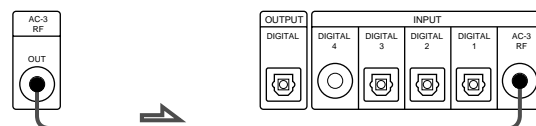
Reproductor de discos DVD Procesador perimétrico



Si su reproductor de discos DVD posee toma COAXIAL DIGITAL OUTPUT, le recomendamos que conecte la toma COAXIAL DIGITAL INPUT 4 (COAXIAL IN) en vez de realizar la conexión óptica mostrada arriba.

Reproductor de discos láser
Cerciórese de conectar la salida AC-3 RF del reproductor de discos láser a las tomas AC-3 RF INPUT del procesador perimétrico.

Reproductor de discos láser Procesador perimétrico

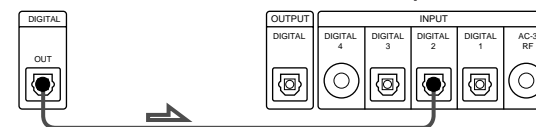


Si su reproductor de discos láser posee salida digital óptica, conéctela a una de las tomas DIGITAL INPUT 1-3 de esta unidad. Esta conexión podrá utilizarse junto con la conexión de AC-3 RF.

Reproductor de discos compactos

Reproductor de discos compactos

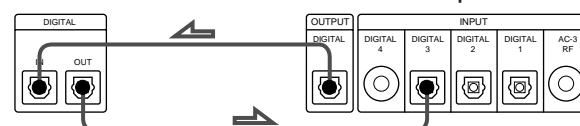
Procesador perimétrico



Deck de cinta audiodigital/minidiscos

Deck de cinta audiodigital/minidiscos

Procesador perimétrico



Nota

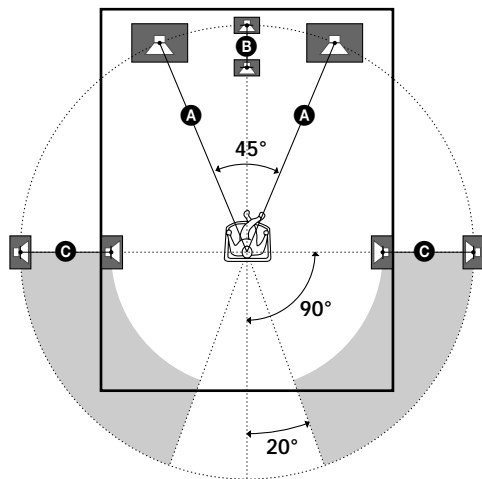
Esta unidad solamente es compatible con componentes digitales que utilicen frecuencias de muestreo de 32 kHz/44,1 kHz/48 kHz. No es compatible con 96 kHz.

Ubicación de los altavoces

Para obtener el óptimo sonido perimétrico, todos los altavoces deberán estar a la misma distancia de su posición de escucha (A).

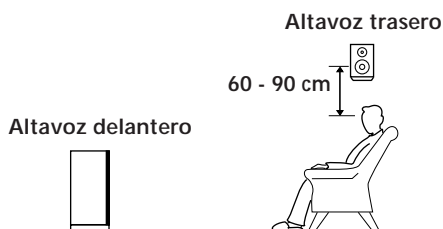
(Sin embargo, esta unidad le permitirá colocar el altavoz central hasta 1,5 metros más cerca (B) y los altavoces traseros hasta 4,5 metros más cerca (C) de su posición de escucha.

Los altavoces delanteros podrán colocarse de 1,0 a 12,0 metros de su posición de escucha (A.)

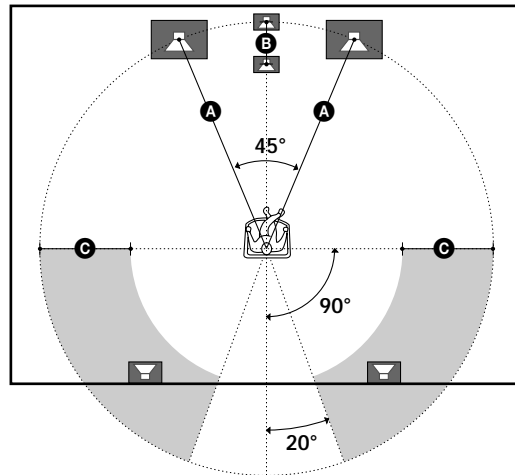


Notas

- No coloque el altavoz central ni los traseros más alejados de su posición de escucha que los delanteros.
- Cuando monte los altavoces traseros en paredes laterales perpendiculares a su posición de escucha, deberá situarlos 60 - 90 cm sobre dicha posición de escucha.



Dependiendo de la forma de su sala (etc.), es posible que desee colocar los altavoces traseros detrás de usted en vez de en paredes laterales. Una ventaja de esta ubicación es que usted podrá utilizar un par de altavoces grandes colocados en el suelo que hagan juego con sus altavoces delanteros.



Nota

Si coloca los altavoces traseros detrás de usted, cerciórese de comprobar su ajuste de ubicación en el menú SP. SETUP cuando utilice los campos acústicos VIRTUAL MULTI REAR y VIRTUAL REAR SHIFT (con respecto a los detalles, consulte las páginas 8 y 13).

Antes de utilizar su procesador

Antes de comenzar a utilizar su procesador, cerciórese de haber:

- Girado MASTER VOLUME hasta -20 dB (cerca de la posición central).

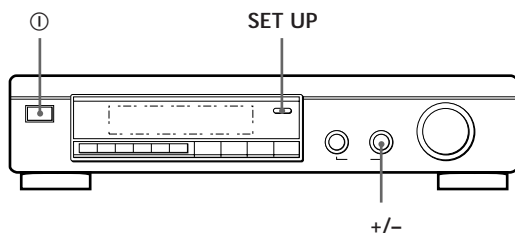
Conecte la alimentación del procesador, y compruebe el indicador siguiente.

- Presione MUTE del telemando si en el visualizador aparece "MUTING ON".
- Presione BYPASS o una de las teclas INPUT si en el visualizador aparece "BYPASS ON".
- Presione SET UP para registrar el tipo de altavoces que haya conectado y sus distancias desde su posición de escucha (consulte "Configuración de los altavoces" de la página siguiente).

Configuración de los altavoces

Para obtener el sonido perimétrico mejor posible, especifique en primer lugar el tipo de altavoces que ha conectado y su distancia desde su posición de escucha. Después utilice el tono de prueba para ajustar los volúmenes al mismo nivel.

Especificación del tipo y la distancia de los altavoces



- 1 Presione **Ⓚ** (POWER) del panel frontal para conectar la alimentación del procesador.
- 2 Presione SET UP.
En el visualizador aparecerá "SP · SETUP".
- 3 Presione repetidamente SET UP para seleccionar el parámetro que desee ajustar.
- 4 Gire el mando +/- para seleccionar el ajuste deseado.
Los ajustes se introducirán automáticamente.
- 5 Repita los paso 3 y 4 hasta que haya ajustado todos los parámetros indicados a continuación.
- 6 Para salir del modo de configuración, presione SET UP.

Tamaño de los altavoces delanteros

Ajuste inicial: FRONT SP [LARGE]

- Si ha conectado altavoces grandes que reproducen efectivamente las frecuencias bajas, seleccione "LARGE".
- Si ha conectado altavoces pequeños con una respuesta en graves mínima, seleccione "SMALL" a fin de activar el circuito de redirección de graves Dolby Digital (AC-3) y dar salida a las frecuencias bajas de los canales delanteros a través del altavoz de subgraves o de otros altavoces "LARGE" (grandes).

Tamaño de los altavoces centrales

Ajuste inicial: CENTER SP [LARGE]

- Si ha conectado altavoces grandes que reproducen efectivamente las frecuencias bajas, seleccione "LARGE" [modo WIDE (amplio)].
- Si ha conectado altavoces pequeños con una respuesta en graves mínima, seleccione "SMALL" a fin de activar el circuito de redirección de graves Dolby Digital (AC-3) y dar salida a las frecuencias bajas del canal central a través del altavoz de subgraves o de otros altavoces "LARGE" (grandes) [modo NORMAL normal)].
- Si no ha conectado altavoz central, seleccione "NO" [modo PHANTOM (fantasma)].

Tamaño de los altavoces traseros

Ajuste inicial: REAR SP [LARGE]

- Si ha conectado altavoces grandes que reproducen efectivamente las frecuencias bajas, seleccione "LARGE". Si ha conectado altavoces pequeños con una respuesta en graves mínima, seleccione "SMALL" a fin de activar el circuito de redirección de graves Dolby Digital (AC-3) y dar salida a las frecuencias bajas de los canales traseros a través del altavoz de subgraves o de otros altavoces "LARGE".
- Si no ha conectado altavoz central, seleccione "NO" [modo 3 CH (3 canales)].

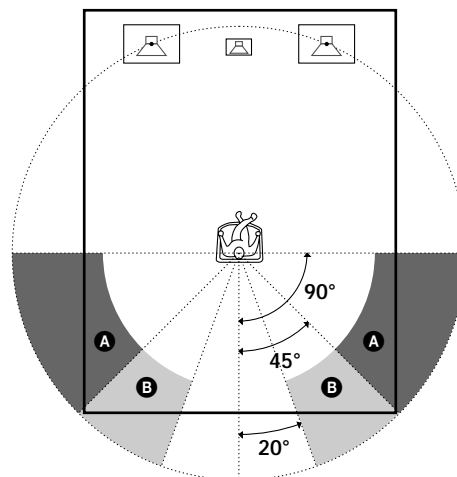
Posición de los canales traseros

Ajuste inicial: REAR SP [SIDE]

Este parámetro le permitirá especificar la ubicación de sus altavoces traseros para la implementación apropiada de los modos VIRTUAL REAR SHIFT y VIRTUAL MULTI REAR del sonido de cine digital. Consulte la figura de abajo.

- Ajuste a SIDE si la ubicación de sus altavoces traseros corresponde a la sección A.
- Ajuste a BEHIND si la ubicación de sus altavoces traseros corresponde a la sección B.

Este ajuste solamente tendrá efecto en los modos VIRTUAL REAR SHIFT y VIRTUAL MULTI REAR.



Selección del altavoz de subgraves

Ajuste inicial: SUB WOOFER [YES]

- Si ha conectado un altavoz de subgraves, seleccione "YES" para dar salida al canal LFE (efecto baja frecuencia) a través del altavoz de subgraves.
- Si no ha conectado un altavoz de subgraves, seleccione "NO". Esto activará el circuito de redirección de graves MPEG/Dolby Digital (AC-3), y dará salida a las señales de LFE a través de otros altavoces.
- Para sacar el máximo partido del circuito de redirección de graves Dolby Digital (AC-3), recomendamos ajustar la frecuencia de corte del altavoz de subgraves lo más alta posible. (Sin embargo, cuando utilice un amplificador con entradas de 5.1 canales, ajuste la frecuencia de corte del altavoz de subgraves de acuerdo con las características del amplificador.)

Distancia de los altavoces delanteros

Ajuste inicial: FRONT 5.0 meter

Ajuste la distancia desde su posición de escucha a un altavoz delantero (izquierdo o derecho) (A de la página 7).

- La distancia del altavoz central podrá ajustarse en pasos de 0,1 metro desde 1,0 a 12,0 metros.
- Si ambos altavoces no están ubicados a igual distancia de su posición de escucha, ajuste la distancia al altavoz más cercano.

Distancia del altavoz central

Ajuste inicial: CENTER 5.0 meter

Ajuste la distancia desde su posición de escucha al altavoz central.

- La distancia del altavoz central podrá ajustarse en pasos de 0,1 metro desde una distancia igual a la del altavoz delantero (A de la página 7) hasta una distancia de 1,5 metros más cercana a su posición de escucha (B de la página 7).
- No coloque el altavoz central más alejado de su posición que escucha que los altavoces delanteros.

Distancia de los altavoces traseros

Ajuste inicial: REAR 3.5 meter

Ajuste la distancia desde su posición de escucha a un altavoz traseros (izquierdo o derecho).

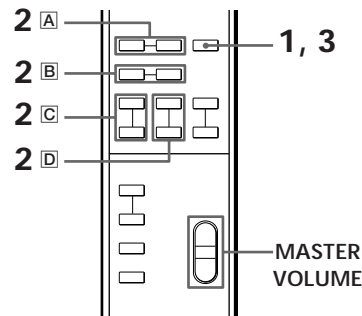
- La distancia del altavoz central podrá ajustarse en pasos de 0,1 metro desde una distancia igual a la del altavoz delantero (A de la página 7) hasta una distancia de 4,5 metros más cercana a su posición de escucha (C de la página 7).
- No coloque los altavoces traseros más alejados de su posición que escucha que los altavoces delanteros.
- Si ambos altavoces no están ubicados a igual distancia de su posición de escucha, ajuste la distancia al altavoz más cercano.



Para ajustar manualmente la frecuencia de atenuación progresiva de los graves para cada canal. Cuando el tamaño de los altavoces delanteros, central, y traseros esté ajustado a pequeño, la frecuencia de atenuación progresiva de los graves se ajustará automáticamente a 120 Hz. Para seleccionar una frecuencia de atenuación progresiva, ajuste el modo del menú a EXPAND y utilice los parámetros de atenuación progresiva de los altavoces delanteros, central, o traseros del menú de configuración de los altavoces. Con respecto a los detalles sobre el modo de menú, consulte la página 15. Para los detalles sobre los parámetros de atenuación progresiva, consulte la página 19.

Ajuste del volumen de los altavoces

Utilice el telemando estando sentado en u posición de escucha para ajustar el volumen de cada altavoz.



Nota

Esta unidad incorpora un nuevo tono de prueba con una frecuencia centrada en 800 Hz para facilitar el ajuste del volumen.

- 1 Presione TEST.
Usted oírá el tono de prueba procedente de cada altavoz en secuencia.
- 2 Desde su posición de escucha, utilice el telemando para ajustar el volumen de cada altavoz de forma que el tono de prueba pueda oírse con el mismo nivel desde todos los altavoces.
 - ▣ A Presione FRONT BAL L o R para ajustar el equilibrio entre los altavoces izquierdo y derecho delanteros (pasos de ± 8 dB). Durante este ajuste, el tono de prueba se emitirá simultáneamente desde ambos altavoces.
 - ▣ B Presione REAR BAL L o R para ajustar el equilibrio entre los altavoces izquierdo y derecho traseros (pasos de ± 8 dB). Durante este ajuste, el tono de prueba se emitirá simultáneamente desde ambos altavoces.
 - ▣ C Presione CENTER + o - para ajustar el nivel del altavoz central (pasos de 0.5 dB). Durante este ajuste, el tono de prueba se emitirá desde el altavoz central.
 - ▣ D Presione REAR + o - para ajustar el nivel de los altavoces traseros (pasos de 0.5 dB). Durante este ajuste, el tono de prueba se emitirá simultáneamente desde ambos altavoces.
- 3 Para desactivar el tono de prueba, presione TEST.

(continúa)



Para ajustar el volumen de todos los altavoces al mismo tiempo

Utilice MASTER VOLUME del procesador, del telemando, o de su procesador multicanal.

Cuando utilice un amplificador con entradas de 5.1 canales, ajuste MASTER VOLUME de esta unidad a -20 dB (cerca de la posición central), y ajuste el control de volumen del amplificador.



Para ajustar el tono de prueba a un canal específico

Ajuste el modo de menú a EXPAND y utilice el parámetro del tono de prueba del menú LEVEL ADJUST para seleccionar el canal que desee.

Con respecto a los detalles sobre el modo de menú, consulte la página 15

Con respecto a los detalles sobre el parámetro del tono de prueba, consulte la página 15.

Notas

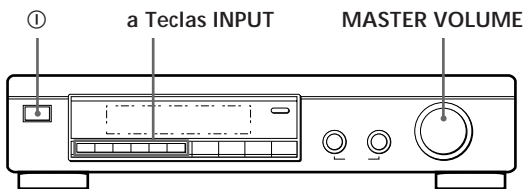
- Durante el ajuste, en el visualizador se mostrarán el equilibrio entre los altavoces delanteros, el equilibrio entre los altavoces traseros, el nivel del altavoz central, y el nivel de los altavoces traseros.
- Aunque estos ajustes pueden realizarse con el menú LEVEL ADJUST utilizando los mandos del panel frontal, recomendamos que siga el procedimiento descrito anteriormente y que ajuste los niveles de los altavoces desde su posición de escucha utilizando el telemando.

Selección de un componente

Para escuchar o contemplar un componente conectado, seleccione en primer lugar la función en el procesador o con el telemando.

Antes de comenzar, cerciórese de haber:

- Conectado con seguridad y correctamente todos los componentes como se indica en las páginas 4 a 7.
- Girado MASTER VOLUME hasta -20 dB (cerca de la posición central) (cuando utilice un amplificador con entradas de 5.1 canales).
- Girado MASTER VOLUME hasta $-\infty$ dB (cuando utilice amplificadores separados para cada altavoz).



- 1 Presione ① (POWER) para conectar la alimentación del procesador.
- 2 Presione una tecla INPUT para seleccionar el componente que desee utilizar:

| Para escuchar o contemplar | Presione |
|------------------------------------------------------------------------|-------------------|
| un reproductor de discos láser conectado a la toma AC-3 RF INPUT | AC-3 RF |
| el componente conectado a la toma de entrada óptica DIGITAL 1, 2, o 3* | DIGITAL 1, 2, o 3 |
| el componente conectado a la toma de entrada coaxial DIGITAL 4 | DIGITAL 4 |
| el componente conectado a las tomas de entrada BYPASS | BYPASS** |

* Las entradas digitales de esta unidad detectan automáticamente señales MPEG, digitales Dolby Digital (AC-3), o PCM. (El terminal INPUT AC-3 RF para utilizarse con reproductores de discos láser se usa para señales Dolby Digital (AC-3) solamente.)

- **
- Las funciones del menú es posible que no estén disponibles cuando la unidad esté en el modo "BYPASS ON".
 - Si ha conectado un amplificador de audio adicional (etc.) a las tomas BYPASS IN del procesador como se ha descrito en la página 6, utilice el selector de función de tal componente para seleccionar el componente que desee escuchar ("CD", por ejemplo).
 - Esta unidad cambiará al modo "BYPASS ON" cuando desconecte su alimentación.

- 3 Cuando haya conectado un amplificador con entradas de 5.1 canales, conecte la alimentación de su amplificador, seleccione el componente respectivo, y después seleccione la entrada de 5.1 canales.

EJEMPLO: Gire FUNCTION para seleccionar "LD", y después presione 5.1 INPUT (para TA-VA8ES Sony). En este momento, ajuste el control MASTER VOLUME de su amplificador a 0.

- 4 Conecte la alimentación del componente fuente, el reproductor de discos láser, por ejemplo, e inicie la reproducción.

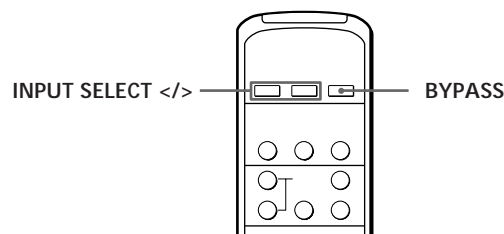
- 5 Utilice MASTER VOLUME de su amplificador para ajustar el volumen.

| Para | Haga lo siguiente |
|--------------------------------------------|---------------------------------------------------------------------------------|
| Silenciar el sonido | Presione MUTING del telemando. Para restablecer el sonido vuelva a presionarla. |
| Reforzar los graves | Presione BASS BOOST para hacer que se encienda el indicador B.BOOST. |
| Desactivar la | Presione DISPLAY del telemando. visualización |
| Ajustar el nivel del altavoz de subgraves* | Presione SUB WOOFER +/- del telemando. |

* Para sacar el máximo partido del circuito de redirección de graves MPEG/Dolby Digital (AC-3), recomendamos ajustar la frecuencia de corte del altavoz de subgraves lo más alta posible. (Sin embargo, cuando utilice un amplificador con entradas de 5.1 canales, ajuste la frecuencia de corte del altavoz de subgraves de acuerdo con las características del amplificador.)

Utilización del telemando

El telemando le permitirá controlar el procesador. EJEMPLO: Para escuchar la reproducción de un disco láser codificado con Dolby Digital (AC-3).



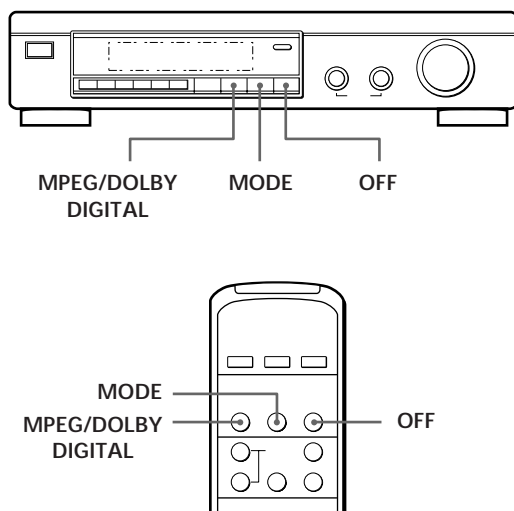
- 1 Presione ① (POWER) del panel frontal para conectar la alimentación del procesador.
- 2 Presione repetidamente INPUT SELECT < o > para hacer que se visualice la entrada para el componente que desee utilizar (o presione BYPASS para hacer que se visualice "BYPASS ON").

EJEMPLO: Si ha conectado un reproductor de discos láser a AC-3 RF INPUT, seleccione "AC-3 RF".

Selección de un campo perimétrico

Usted podrá seleccionar un campo perimétrico de acuerdo con el tipo de fuente que esté reproduciendo. Cuando reproduzca fuentes de programas grabados con el formato MPEG o Dolby Digital (AC-3), podrá disfrutar de sonido perimétrico seleccionado simplemente "MPEG/DOLBY DIGITAL".

Esta unidad incorpora también varios modos de sonido programados denominados "Digital Cinema Sound". Seleccione entre estos modos de acuerdo con sus gustos para disfrutar de efectos perimétricos potentes de una gran variedad de fuentes de programas.



Para seleccionar el modo perimétrico MPEG o Dolby Digital

Presione MPEG/DOLBY DIGITAL.

Normalmente, seleccione este modo para reproducir fuentes de programas grabados con el formato MPEG o Dolby Digital (AC-3).

Para seleccionar Digital Cinema Sound

Presione repetidamente MODE hasta que en el visualizador aparezca el modo deseado.

Con respecto a los detalles sobre los tipos de modos perimétricos disponibles y a los efectos que proporcionan, consulte la tabla de la página siguiente.

💡 Cuando seleccione DOLBY SURROUND

Cuando la señal introducida sea PCM, se producirá la reproducción normal de 2 canales.

Cuando la señal introducida sea DOLBY DIGITAL (AC-3), el número de canales reproducidos se determinará automáticamente de acuerdo con las características de la señal de entrada.

En el modo "DOLBY SURROUND", el número de canales reproducidos de la fuente de programas actual aparecerá en el visualizador como se indica a continuación:

| Visualización | Canales reproducidos |
|---------------------------------------------|----------------------------------------------------------------------------|
| STEREO PCM [xx kHz]* | Reproducción normal de PCM |
| MPEG AUDIO [1/0]** DOLBY DIGITAL [1/0]** | Central solamente (monoaural) |
| MPEG AUDIO [2/0] DOLBY DIGITAL [2/0] | Delanteros (izquierdo y derecho) |
| MPEG AUDIO [2/1] DOLBY DIGITAL [2/1] | Delanteros (izquierdo y derecho) + Trasero (monoaural) |
| MPEG AUDIO [2/2] DOLBY DIGITAL [2/2] | Delanteros (izquierdo y derecho) + Traseros (izquierdo y derecho) |
| MPEG AUDIO [3/0]** DOLBY DIGITAL [3/0]** | Delanteros (izquierdo y derecho) + Central |
| MPEG AUDIO [3/1] DOLBY DIGITAL [3/1] | Delanteros (izquierdo y derecho) + Central + Traseros (monoaural) |
| MPEG AUDIO [3/2] DOLBY DIGITAL [3/2] | Delanteros (izquierdo y derecho) + Central + Trasero (izquierdo y derecho) |
| DOLBY PROLOGIC | Delanteros (izquierdo y derecho) + Central + Traseros (monoaural) |

* Se visualizará 48 kHz, 44,1 kHz, o 32 kHz. 44,1 kHz se visualizará como "44 kHz".

** El efecto perimétrico puede no ser muy aparente en todos los casos.

Cuando reproduzca una fuente MPEG o Dolby Digital (AC-3) de 2 canales, la unidad determinará automáticamente reproducción Pro Logic o estéreo de acuerdo con la información proporcionada por la fuente de programas.

💡 Usted distinguir el software codificado con Dolby Surround observando el paquete

Utilice discos con el logotipo . Para disfrutar de la reproducción de Dolby Digital (AC-3), tendrá que utilizar discos que lleven este logotipo.

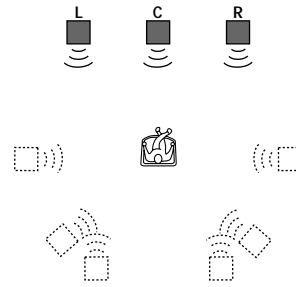
Digital Cinema Sound

| modo | Efecto |
|---------------------------------------|-------------------------------------------------------------------------------------------------------------------------------------------------------------------------------------------------------------------------------------------------------------------------------------------------|
| perimétrico | |
| NORMAL SURROUND | Decodifica programas procesados con MPEG o Dolby Surround. Utilícelo para decodificar fuentes de 2 canales usando la decodificación Dolby Pro Logic. |
| ENHANCED SURROUND | Proporciona una sensación mayor de presencia de fuentes Pro Logic con sonido de canal trasero monoaural. Produce un efecto semejante a estéreo en los canales traseros. |
| LARGE THEATER | Utilícelo para reproducir la acústica de un cine estándar. |
| CINEMA STUDIO A | Reproduce las características de sonido del estudio de producción de películas Sony Pictures Entertainment "Cary Grant Theater". |
| CINEMA STUDIO B | Reproduce las características de sonido del estudio de producción de películas Sony Pictures Entertainment "Kim Novak Theater". |
| CINEMA STUDIO C | Reproduce las características de sonido del escenario de orquestación Sony Pictures Entertainment. |
| VIRTUAL ENHANCED (SURROUND) A (III.1) | Utiliza la imagen de sonido tridimensional para crear altavoces traseros virtuales a partir del sonido de los altavoces delanteros sin utilizar realmente altavoces traseros. Los altavoces virtuales se reproducen como se muestra en la ilustración 1. |
| VIRTUAL ENHANCED (SURROUND) B (III.2) | Utiliza la imagen de sonido tridimensional para crear altavoces traseros virtuales a partir del sonido de los altavoces delanteros sin utilizar realmente altavoces traseros. Los altavoces virtuales se reproducen como se muestra en la ilustración 2. |
| VIRTUAL REAR SHIFT (III.3) | Utiliza la imagen de sonido tridimensional para desplazar el sonido de los altavoces traseros fuera de su posición real. La posición de desplazamiento diferirá de acuerdo con el ajuste de la posición de los altavoces traseros (SP. SETUP). |
| VIRTUAL MULTI REAR (III.4) | Utiliza la imagen de sonido tridimensional para crear un conjunto de altavoces traseros virtuales a partir de un solo par de altavoces traseros reales. La posición de los altavoces traseros virtuales diferirá de acuerdo con el ajuste de la posición de los altavoces traseros (SP. SETUP). |
| LARGE HALL | Reproduce la acústica de una sala de conciertos. Utilícelo para reproducir grabaciones de conciertos en directo (etc.). |
| LIVE HOUSE | Crea sonido perimétrico simulado a partir de fuentes monoaurales, tales como películas antiguas o programas de televisión. |

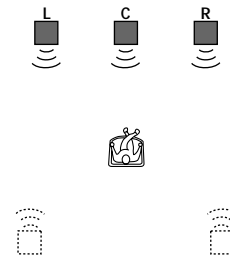
Para desactivar el efecto perimétrico (reproducción estéreo de 2 canales)

Presione OFF (o DIGITAL CINEMA SOUND - OFF del telemando). En este momento, las señales MPEG o Dolby Digital (AC-3) se dividirán automáticamente en señales de los canales delanteros (izquierdo y derecho).

III.1 VIRTUAL ENHANCED (SURROUND) A

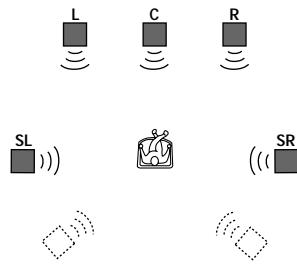


III.2 VIRTUAL ENHANCED (SURROUND) B

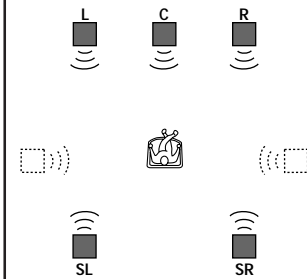


III.3 VIRTUAL REAR SHIFT

Para REAR SP [SIDE]*

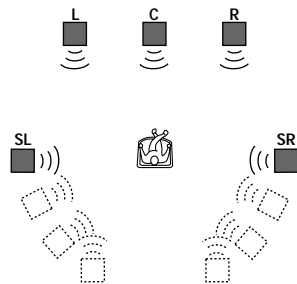


Para REAR SP [BEHIND]*

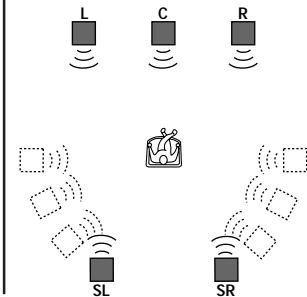


III.4 VIRTUAL MULTI REAR

Para REAR SP [SIDE]*



Para REAR SP [BEHIND]*



L: Altavoz delantero (izquierdo)
R: Altavoz delantero (derecho)
C: Altavoz central
SL: Altavoz traseros (izquierdo)
SR: Altavoz trasero (derecho)
□ : Altavoz virtual

* Con respecto a los detalles sobre cómo ajustar la posición de los altavoces traseros, consulte la página 8.

(continúa)

Ajuste del nivel del efecto perimétrico (para los modos de Digital Cinema Sound solamente*)

Usted podrá hacer el sonido perimétrico más patente aumentando el nivel del efecto perimétrico. Este control le permitirá ajustar la "presencia" del modo de Digital Cinema Sound desde el 0% (sin efectos de sonido de cine digital) hasta el 100% (150%) en pasos del 5%.

* Este ajuste no será posible en el modo NORMAL SURROUND ni en el modo ENHANCED SURROUND.

- 1 Inicie la reproducción de la fuente de programas.
- 2 Presione repetidamente DIGITAL CINEMA SOUND - MODE del telemando para seleccionar el modo deseado.
- 3 Presione EFFECT + o - del telemando para seleccionar el nivel preferido. El nivel del efecto se indicará en el visualizador durante el ajuste. El nivel se almacenará automáticamente.

Nota

El cambio del nivel del efecto puede no producir variaciones notable sen el efecto perimétrico cuando se utilicen ciertas fuentes de reproducción.



Usted también podrá ajustar el nivel del efecto perimétrico utilizando los controles del panel frontal.

Utilice MENU y los mandos +/- para ajustar el parámetro de nivel de efecto perimétrico en el menú SURROUND.

Con respecto a los detalles sobre las operaciones del menú y el parámetro de nivel de efecto perimétrico, consulte la página 15.

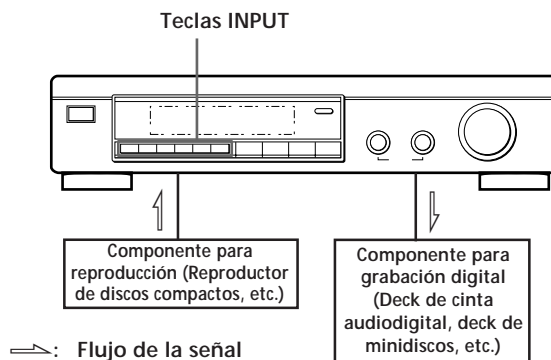
Compresión de la gama dinámica (MPEG o Dolby Digital (AC-3) solamente)

Cuando introduzca una señal MPEG o Dolby Digital (AC-3), podrá comprimir la gama dinámica de la pista de sonido utilizando los parámetros de compresión de la gama dinámica en el menú SURROUND. Esto puede resultar muy útil cuando desee contemplar películas a bajo volumen ya entrada la noche. Con respecto a los detalles sobre las operaciones del menú, consulte la página 15, y para los detalles sobre el parámetro de compresión de la gama dinámica, consulte la página 16.

Grabación digital

Este procesador facilita la realización de grabaciones digitales de componentes a él conectados. Usted no tendrá que conectar directamente componentes de reproducción y de grabación.

Antes de comenzar, cerciőrese de haber conectado adecuadamente todos los componentes.



EJEMPLO: Grabación de un disco compacto utilizando un deck de cinta audiodigital

Si necesita ayuda, consulte el manual de su deck de cinta audiodigital o de su reproductor de discos compactos.

- 1 Presione DIGITAL 1 (si ha conectado el reproductor de discos compactos a DIGITAL 1 INPUT) para seleccionar el reproductor de discos compactos.
- 2 Inserte una cinta audiodigital en blanco en el deck de cinta audiodigital para grabación.
- 3 Inicie la grabación en el deck de cinta audiodigital y después la reproducción del disco compacto que desee grabar.

Nota

Usted no podrá grabar la señal digital de una fuente de programas MPEG o Dolby Digital (AC-3).

Ajustes

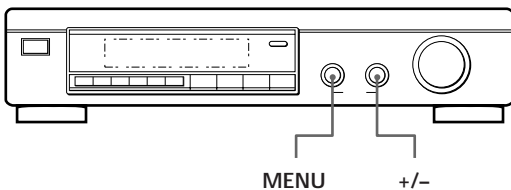
Las operaciones del menú le permitirán personalizar varios aspectos del procesador de acuerdo con su ambiente de escucha, sus altavoces, sus componentes, y sus gustos.

Usted podrá seleccionar entre dos modos de menú (básico y ampliado) de acuerdo con sus necesidades.

- El modo de menú básico (BASIC) le permitirá realizar ajustes generales de los campos acústicos y ajustar simultáneamente todos los altavoces.
- El modo de menú ampliado (EXPAND) le permitirá realizar ajustes individuales precisos de equalización y frecuencia de corte de los altavoces delanteros, central, y traseros, y determinar los ajustes iniciales para las entradas digitales.

Nota

Si cambia del modo EXPAND al modo BASIC, los ajustes realizados en el modo EXPAND se conservarán. Sin embargo, si ajusta parámetros del mismo menú en el modo BASIC, tales ajustes cambiarán en consecuencia. Por ejemplo, si cambia al modo básico, los controles de tono individuales para cada altavoz (en el menú EQUALIZER) se conservarán. Sin embargo, un solo ajuste de los controles de tono general (en el menú SURROUND) ajustará las equalizaciones de todos los altavoces a los ajustes de los altavoces delanteros.



- 1 Presione repetidamente el mando MENU para hacer que se visualice uno de los menús siguientes:

| Modo BASIC | Modo EXPAND |
|-------------------|-------------------|
| Menú LEVEL ADJUST | Menú LEVEL ADJUST |
| Menú SURROUND | Menú SURROUND |
| Menú SP. SETUP | Menú EQUALIZER |
| Menú CUSTOMIZE | Menú SP. SETUP |
| | Menú CUSTOMIZE |

- 2 Gire el mando MENU para seleccionar el parámetro que desee del menú respectivo.
- 3 Gire el mando +/- para seleccionar el ajuste deseado.
El ajuste se introducirá automáticamente.
- 4 Repita los pasos 1 a 3 para realizar todos los ajustes necesarios.

Cuando utilice los controles del telemando

- 1 Presione repetidamente SELECT para hacer que se visualice el menú deseado.
- 2 Presione repetidamente MENU \wedge / \vee para seleccionar el parámetro deseado del menú respectivo.
- 3 Presione repetidamente +/- para seleccionar el ajuste deseado.
El ajuste se introducirá automáticamente.
- 4 Repita los pasos 1 a 3 para realizar todos los ajustes necesarios.

Nota

Ciertos ítems del menú es posible que no estén disponibles para ajuste dependiendo de los ajustes y de los modos de menú actuales. Los ítems no disponibles aparecerán débilmente indicados en el visualizador.

Menú LEVEL ADJUST (ajuste de nivel)

El menú LEVEL ADJUST contiene los parámetros de ajuste del nivel de los altavoces, que le permitirán equilibrar el nivel de salida de cada altavoz.

- 💡 La mayoría de estos ajustes podrán realizarse también directamente utilizando el telemando. Consulte "Ajuste del volumen de los altavoces" (página 9).

Tono de prueba

Ajuste inicial: TEST TONE OFF

Le permitirá activar y desactivar el tono de prueba.

- Cuando el modo de menú esté ajustado a BASIC, usted podrá seleccionar entre "OFF" y "[] auto". "[] auto" proporcionará la misma actividad de tono de prueba que la descrita en la página 8.
- Cuando el modo de menú esté ajustado a EXPAND, podrá seleccionar qué altavoz emitirá el tono de prueba [L]: izquierdo (delantero), [C]: central, [R]: derecho (frontal), [SR]: trasero derecho, [SL]: trasero izquierdo.

Equilibrio entre los altavoces delanteros

Ajuste inicial: FRONT L ___|___ R

Le permitirá ajustar el equilibrio entre los altavoces izquierdo y derecho delanteros.

- El equilibrio podrá ajustarse $\pm 8,0$ dB en pasos de 0,5 dB.

Equilibrio entre los altavoces traseros

Ajuste inicial: REAR L ___|___ R

Le permitirá ajustar el equilibrio entre los altavoces izquierdo y derecho traseros.

- El equilibrio podrá ajustarse $\pm 8,0$ dB en pasos de 0,5 dB.

Nivel de los altavoces traseros

Ajuste inicial: REAR LEVEL 0 dB

Le permitirá ajustar el nivel de los altavoces traseros (izquierdo y derecho).

- El nivel podrá ajustarse en pasos de 0,5 dB de $-20,0$ dB a $+10,0$ dB.
- Si selecciona MUTE, el sonido se silenciará completamente ($-\infty$) de los altavoces traseros. En este caso, el sonido de los canales traseros no saldrá a través de los altavoces delanteros, etc.

Nivel del altavoz central

Ajuste inicial: CENT .LEVEL 0 dB

Le permitirá ajustar el nivel del altavoz central.

- El nivel podrá ajustarse en pasos de 0,5 dB de -20,0 dB a +10,0 dB.
- Si selecciona MUTE, el sonido se silenciará completamente ($-\infty$) del altavoz central. En este caso, el sonido del canal central no saldrá a través de los altavoces delanteros, etc.

Nivel del altavoz de subgraves

Ajuste inicial: SUB WOOFER 0 dB

Le permitirá ajustar el nivel del altavoz de subgraves.

- El nivel podrá ajustarse en pasos de 0,5 dB de -20,0 dB a +10,0 dB.
- Si selecciona MUTE, se silenciará el sonido del altavoz de subgraves.

Menú SURROUND (perimétrico)

El menú SURROUND contiene los parámetros que le permitirán personalizar varios aspectos del campo perimétrico actual. Los ajustes disponibles en este menú se almacenarán por separado para cada campo perimétrico. Los tipos de parámetros variarán de acuerdo con el modo de menú.

Nivel de efecto perimétrico (modos de Digital Cinema Sound solamente)

Ajuste inicial: SURR .EFFECT 100%

Este parámetro podrá ajustarse directamente utilizando EFFECT +/- del telemando. Le permitirá ajustar la "presencia" del efecto perimétrico de Digital Cinema Sound actual.

- El nivel del efecto podrá ajustarse del 0% (sin efectos de sonido de cine digital) al 100% (150%) en pasos del 5%.

Nivel de mezcla de efecto baja frecuencia (LFE) (DISCRETE solamente)

Ajuste inicial: LFE MIX . 0dB

Este parámetro le permitirá atenuar el nivel de la salida del canal LFE (efecto baja frecuencia) del altavoz de subgraves sin que se vea afectado el nivel de las bajas frecuencias enviado al altavoz de subgraves desde los canales delanteros, central, ni traseros a través del circuito de redirección de graves.

- El nivel podrá justarse en pasos de 0,5 dB de -20,0 dB a 0 dB (nivel de línea). 0 dB dará salida a la señal de LFE completa con el nivel de mezcla determinado por el ingeniero de grabación.
- Si selecciona MUTE, se silenciará el sonido del canal LFE del altavoz de subgraves. Sin embargo, los sonidos de baja frecuencia de los altavoces delanteros, central, o traseros saldrán a través del altavoz de subgraves de acuerdo con los ajustes realizados para cada altavoz en el menú de configuración de los altavoces (página 8).

Relación de compresión de la gama dinámica

Ajuste inicial: D .RANGE COMP OFF

Le permitirá comprimir la gama dinámica de la pista de sonido.

Esto será muy útil cuando desee contemplar películas a bajo volumen ya entrada la noche.

- OFF reproduce la pista de sonido sin compresión.
- STD reproduce la pista de sonido con la gama dinámica completa como hay diseñado el ingeniero de grabación.
- 0.1 - 0.9 le permitirá comprimir la gama dinámica en pequeños pasos para obtener el sonido deseado.
- MAX proporciona una dramática compresión de la gama dinámica.
- Durante la reproducción de fuentes MPEG, la relación de compresión es fija (STD, 0.1 - 0.9, y MAX producen el mismo efecto).

Control de tono (ON/OFF) •Modo básico solamente•

Ajuste inicial: TONE CONTROL OFF

Le permitirá activar (ON) y desactivar (OFF) los ajustes de los controles de tonos graves (BASS) y agudos (TREBLE). Usted podrá utilizar este ajuste para comparar el sonido de los ajustes de BASS y TREBLE con el original.

- OFF aplana las características de frecuencia de todos los canales simultáneamente. Si ajusta los niveles de los graves y los agudos después de haber ajustado el control de tono a OFF, la calidad del sonido cambiará desde la posición plana (0 dB).
- ON restablece las características de frecuencia a los valores existentes antes de haber ajustado el control a OFF.

Ajuste del nivel de graves •Modo básico solamente•

Ajuste inicial: BASS 0 dB

Le permitirá ajustar simultáneamente el nivel de las frecuencias bajas de los canales delanteros (izquierdo y derecho), central, y traseros (izquierdo y derecho). Para ajustar el canal LFE, consulte "Nivel de mezcla de extensión de bajas frecuencias (LFE)".

- El nivel podrá ajustarse ± 10 dB en pasos de 1 dB.
- El ajuste "0dB" representa el nivel de línea (0 dB).

Ajuste del nivel de agudos •Modo básico solamente•

Ajuste inicial: TREBLE 0 dB

Le permitirá ajustar simultáneamente el nivel de las frecuencias altas de los canales delanteros (izquierdo y derecho), central, y traseros (izquierdo y derecho).

- El nivel podrá ajustarse ± 10 dB en pasos de 1 dB.
- El ajuste "0dB" representa el nivel de línea (0 dB).

Menú EQUALIZER (ecualizador) • Modo ampliado solamente•

En el modo EXPAND, los ajustes de este menú reemplazarán los ajustes de control de tono del menú SURROUND.

Este menú contiene parámetros que le permitirán ajustar individualmente el tono de los altavoces delanteros (izquierdo y derecho), central, y traseros (izquierdo y derecho).

Ecualizador (ON/OFF)

Ajuste inicial: EQUALIZER ON

Le permitirá activar (ON) y desactivar (OFF) los ajustes del ecualizador. Usted podrá utilizar este ajuste para comparar el sonido de los ajustes del ecualizador con la señal original.

- OFF aplana las características de frecuencia de todos los canales simultáneamente. Si ajusta los niveles de los graves y los agudos después de haber ajustado el ecualizador a OFF, la calidad del sonido cambiará desde la posición plana (0 dB).
- ON restablece las características de frecuencia a los valores existentes antes de haber ajustado el ecualizador a OFF.

Ajuste de los graves de los altavoces delanteros

Nivel: FRONT BASS 0dB

Frecuencia: FRONT BASS 250Hz

Utilice el mando +/- para ajustar el nivel, y después gire el mando MENU para seleccionar la frecuencia (Hz), y utilice el mando +/- para ajustar la frecuencia. Repita esto hasta obtener el sonido deseado.

- El nivel podrá ajustarse ± 10 dB en pasos de 0,5 dB.

Ajuste de los graves del altavoz central

Nivel: FRONT TREBLE 0dB

Frecuencia: FRONT TREBLE 2.5kHz

Ajuste como se ha descrito en "Ajuste de los graves de los altavoces delanteros".

- El nivel podrá ajustarse ± 10 dB en pasos de 0,5 dB.

Ajuste de los agudos del altavoz central

nivel: CENTER BASS 0dB

Frecuencia: CENTER BASS 250Hz

Ajuste como se ha descrito en "Ajuste de los graves de los altavoces delanteros".

- El nivel podrá ajustarse ± 10 dB en pasos de 0,5 dB.

Ajuste de los graves de los altavoces traseros

Nivel: CENTER TREBLE 0dB

Frecuencia: CENTER TREBLE 2.5kHz

Ajuste como se ha descrito en "Ajuste de los graves de los altavoces delanteros".

- El nivel podrá ajustarse ± 10 dB en pasos de 0,5 dB.

Ajuste de los agudos de los altavoces traseros

Nivel: REAR BASS 0dB

Frecuencia: REAR BASS 250Hz

Ajuste como se ha descrito en "Ajuste de los graves de los altavoces delanteros".

- El nivel podrá ajustarse ± 10 dB en pasos de 0,5 dB.

Ajuste de los agudos de los altavoces traseros

Nivel: REAR TREBLE 0dB

Frecuencia: REAR TREBLE 2.5kHz

Ajuste como se ha descrito en "Ajuste de los graves de los altavoces delanteros".

- El nivel podrá ajustarse ± 10 dB en pasos de 0,5 dB.

Menú CUSTOMIZE (personalización)

El menú CUSTOMIZE le permitirá personalizar varios aspectos de la operación de esta unidad. Los parámetros disponibles en este menú variarán dependiendo del modo de menú (BASIC/EXPAND).

Silenciamiento

Ajuste inicial: MUTING OFF

Le permitirá silenciar el sonido (igual que el botón MUTING del telemando).

- ON silenciará el sonido de todos los altavoces.
- OFF restablecerá el sonido al volumen original.

Control de brillo del visualizador

Ajuste inicial: DISP. DIMMER 100%

Le permitirá ajustar el brillo del visualizador.

Podrá ajustarse en pasos del 1% del 25 al 100%.

Unidad de distancia • Modo ampliado solamente•

Ajuste inicial: DIST.UNIT [meter]

Le permitirá seleccionar metros o pies como unidad de medición para ajustar distancias. 1 pie corresponde a una diferencia de 1 ms.

Memoria del ecualizador • Modo ampliado solamente•

Ajuste inicial: EQ MEMORY [ON]

- ON le permitirá ajustar independientemente el ecualizador para cada modo perimétrico.
- OFF le permitirá fijar el ecualizador a un ajuste para todos los modos perimétricos.

Borrado de la memoria

Ajuste inicial: MEMORY CLEAR [NO]

Para borrar la memoria, seleccione [YES] y espere algunos segundos. Se visualizará "Are you sure?" (¿Está seguro?). Si vuelve a seleccionar [YES] y espera varios segundos, la unidad borrará todos los parámetros y los repondrá a los ajustes de fábrica. Como confirmación se visualizará "MEMORY CLEARED" (memoria borrada).

(continúa)

Selección del modo de menú

Ajuste inicial: MENU MODE [BASIC]

Le permitirá elegir entre el modo de menú básico o ampliado:

- El modo de menú básico (BASIC) le permitirá realizar ajustes generales de los campos acústicos y ajustar simultáneamente todos los altavoces.
- El modo de menú ampliado (EXPAND) le permitirá realizar ajustes individuales precisos de ecualización y frecuencia de corte de los altavoces delanteros, central, y traseros, y determinar los ajustes iniciales para las entradas digitales.

Nota

Si cambia del modo EXPAND al modo BASIC, los ajustes realizados en el modo EXPAND se conservarán. Sin embargo, si ajusta parámetros del mismo menú en el modo BASIC, tales ajustes cambiarán en consecuencia.

Por ejemplo, si cambia al modo básico, los controles de tono individuales para cada altavoz (en el menú EQUALIZER) se conservarán. Sin embargo, un solo ajuste de los controles de tono general (en el menú SURROUND) ajustará las ecualizaciones de todos los altavoces a los ajustes de los altavoces delanteros.



Aunque tenga planeado realizar ajustes individuales utilizando el menú EQUALIZER,

Le recomendamos que comience utilizando los controles de tono del menú básico y que después realice reajustes cambiando al modo ampliado para utilizar el ecualizador.

Ajuste de recorte de entrada digital •Modo ampliado solamente•

Ajuste inicial: INPUT TRIM 0dB

Los diferentes componentes ofrecen distintos niveles de línea. En tales casos, usted podrá ajustar el nivel de línea de cada una de las entradas digitales. Los ajustes se almacenarán independientemente para cada entrada.

Modo de entrada digital •Modo ampliado solamente•

Ajuste inicial: DECODE MODE [AUTO]

le permitirá especificar el tipo de señal aplicada a la toma de entrada digital actual (AC-3 RF o DIGITAL 1-4).

Los ajustes se almacenarán independientemente para cada entrada.

- AUTO: La unidad cambiará automáticamente entre MPEG, Dolby Digital (AC-3), y PCM.
- AC-3: Todas las señales de entrada se tratarán como si fuesen Dolby Digital (AC-3). Si aplica una señal MPEG o PCM a una toma ajustada a AC-3, no se oirá sonido.
- MPEG: Todas las señales de entrada se tratarán como si fuesen MPEG. Si aplica una señal Dolby Digital (AC-3) o PCM a una toma ajustada a MPEG, no se oirá sonido.

Menú SP. SETUP (configuración de altavoces)

El menú de configuración de altavoces contiene los parámetros que le permitirán ajustar el tipo y el tamaño de los altavoces de su sistema. Esta información es esencial para la producción de sonido perimétrico realista. A los ajustes disponibles en este menú también podrá lograrse acceso presionando SET UP (con respecto a los detalles, consulte “Configuración de los altavoces” de la página 8).

Tamaño de los altavoces delanteros

Ajuste inicial: FRONT SP [LARGE]

Consulte la página 8.

Tamaño del altavoz central

Ajuste inicial: CENTER SP [LARGE]

Consulte la página 8.

Tamaño de los altavoces traseros

Ajuste inicial: REAR SP [LARGE]

Consulte la página 8.

Posición de los altavoces traseros

Ajuste inicial: REAR SP [SIDE]

Consulte la página 8.

Selección de altavoz de subgraves

Ajuste inicial: SUB WOOFER [YES]

Consulte la página 8.

Distancia de los altavoces delanteros

Ajuste inicial: FRONT 5.0 meter

Consulte la página 8.

Distancia del altavoz central

Ajuste inicial: CENTER 5.0 meter

Consulte la página 8.

Distancia de los altavoces traseros

Ajuste inicial: REAR 3.5 meter

Consulte la página 8.

Frecuencia de atenuación progresiva de los altavoces delanteros •Modo ampliado solamente•

Ajuste inicial: FRONT SP > 120 Hz

Este ajuste le permitirá seleccionar la frecuencia de atenuación progresiva para el filtro del corte bajo de los altavoces delanteros (izquierdo y derecho).

- Las frecuencias bajas inferiores a la frecuencia de corte se dividen mediante el circuito de redirección de graves MPEG/Dolby Digital (AC-3) y salen a través del altavoz de subgraves u otros altavoces "LARGE" (grandes). Para evitar el descrestamiento, las frecuencias inferiores a la frecuencia de corte, no salen a través de los altavoces delanteros.

Frecuencia de atenuación progresiva del altavoz central •Modo ampliado solamente•

Ajuste inicial: CENTER SP > 120 Hz

Este ajuste le permitirá seleccionar la frecuencia de atenuación progresiva para el filtro del corte bajo del altavoz central.

- Las frecuencias bajas inferiores a la frecuencia de corte se dividen mediante el circuito de redirección de graves MPEG/Dolby Digital (AC-3) y salen a través del altavoz de subgraves u otros altavoces "LARGE" (grandes). Para evitar el descrestamiento, las frecuencias inferiores a la frecuencia de corte, no salen a través del altavoz central.

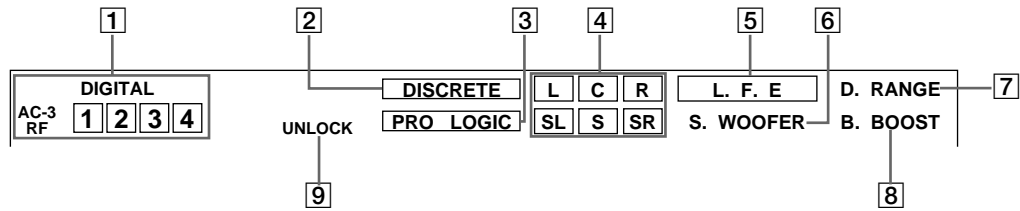
Frecuencia de atenuación progresiva de los altavoces traseros •Modo ampliado solamente•

Ajuste inicial: REAR SP > 120 Hz

Este ajuste le permitirá seleccionar la frecuencia de atenuación progresiva para el filtro del corte bajo de los altavoces traseros (izquierdo y derecho).

- Las frecuencias bajas inferiores a la frecuencia de corte se dividen mediante el circuito de redirección de graves MPEG/Dolby Digital (AC-3) y salen a través del altavoz de subgraves u otros altavoces "LARGE" (grandes). Para evitar el descrestamiento, las frecuencias inferiores a la frecuencia de corte, no salen a través de los altavoces traseros.

Descripción del visualizador



- 1** Indicadores de los selectores de entrada
Se encenderá el terminal de entrada seleccionado mediante los selectores INPUT del panel frontal.
- 2** DISCRETE
Se encenderá cuando esta unidad decodifique señales grabadas en el formato MPEG o Dolby Digital (AC-3) y dé salida al número pretendido de señales contenidas en tales señales. No se encenderá cuando la señal de entrada sea estéreo de 2 canales ni cuando la señal de entrada se mezcle porque la función de sonido perimétrico estará desactivada.
- 3** PRO LOGIC
Se encenderá cuando esta unidad aplique el proceso Pro Logic a señales de dos canales para dar salida a las señales de los canales central y perimétricos.
- 4** Indicadores de los canales de salida
Se encenderán para indicar qué canales están saliendo.
L: Delantero izquierdo R: Delantero derecho
C: Central (monoaural)
SL: Perimétrico trasero izquierdo
SR: Perimétrico trasero derecho
S: Perimétrico trasero (monoaural o componentes traseras obtenidas mediante el proceso Pro Logic)
- Con respecto a los detalles sobre la indicación de los canales, consulte la página siguiente.
- Cuando presione MPEG/DOLBY DIGITAL, en el visualizador aparecerá el número de canales a través de los que esté entrando señal (Ejemplo: DOLBY DIGITAL [3/2]). Con respecto a los detalles, consulte la página siguiente.
- 5** L.F.E.
Las letras "L.F.E." se encenderán cuando el disco que esté reproduciéndose contenga el canal LFE (efecto baja frecuencia). Cuando el sonido de la señal del canal LFE esté reproduciéndose, el cuadro que rodea las letras también se encenderá. Como la señal LFE no se graba en toda la parte de la señal de entrada, es posible que dicho cuadro se active y desactive repetidamente durante la reproducción.
- 6** S.WOOFER
Se encenderá cuando haya ajustado la selección de subgraves a "YES", "UNLOCK" no esté encendido, y esta unidad detecte que el disco en reproducción no contiene la señal del canal LFE. Mientras este indicador esté encendido, esta unidad creará una señal de subgraves basada en las componentes de frecuencia basada en los canales delanteros.
- 7** D.RANGE
Se encenderá cuando el parámetro [D.RANGE COMP] del menú no esté ajustado a OFF y a esta unidad entre una señal grabada en el formato MPEG o Dolby Digital (AC-3). Con respecto a los detalles sobre este ajuste, consulte la página 16.
- 8** B.BOOST
Se encenderá cuando presione la tecla BASS BOOST del panel frontal para reforzar las bajas frecuencias.
- 9** UNLOCK
Se encenderá cuando esta unidad no sea capaz de reproducir una señal digital. Por ejemplo, este indicador puede encenderse si el componente conectado no da salida a ninguna señal, cuando el disco en reproducción no contenga la señal, o cuando no haya conectado componentes para reproducción (etc.).

Visualización de los canales de salida

Esta unidad mostrará a través de qué canales están saliendo señales. La visualización variará dependiendo del número de altavoces conectados. Con respecto a los detalles, consulte “Configuración de los altavoces y visualización de los canales de salida” de la tabla siguiente.

Esta unidad también puede visualizar el número de canales de la señal de entrada. Con respecto a los detalles sobre cómo ver esta visualización, presione MPEG/DOLBY DIGITAL para hacer que se visualice “MPEG [3/2]”, etc. Aunque esta tabla muestra la mayoría de las configuraciones posibles disponibles para las señales MPEG y Dolby Digital (AC-3), en la mayor parte de los casos solamente se utilizan las marcadas con “☆”.

| Formato de grabación (Delantera/trasera) | Visualización de los canales de entrada | Configuración de los altavoces y visualización de los canales de salida | | | |
|------------------------------------------|-------------------------------------------|-------------------------------------------------------------------------|-----------------------------|--------------------------|-------------------------------------|
| | | Todos los altavoces presentes | Altavoces traseros ausentes | Altavoz central ausentes | Altavoces traseros/central ausentes |
| 1/0 | MPEG AUDIO [1/0] DOLBY DIGITAL [1/0] | DISCRETE C | DISCRETE C | DISCRETE C | DISCRETE C |
| 2/0* | MPEG AUDIO [2/0] DOLBY DIGITAL [2/0] | L R | L R | L R | L R |
| 3/0 | MPEG AUDIO [3/0] DOLBY DIGITAL [3/0] | DISCRETE L C R | DISCRETE L C R | DISCRETE L C R | DISCRETE L C R |
| 2/1 | MPEG AUDIO [2/1] DOLBY DIGITAL [2/1] | DISCRETE L R S | DISCRETE L R S | DISCRETE L R S | DISCRETE L R S |
| 3/1 | MPEG AUDIO [3/1] DOLBY DIGITAL [3/1] | DISCRETE L C R S | DISCRETE L C R S | DISCRETE L C R S | DISCRETE L C R S |
| 2/2 | MPEG AUDIO [2/2] DOLBY DIGITAL [2/2] | DISCRETE L R SL SR | DISCRETE L R SL SR | DISCRETE L R SL SR | DISCRETE L R SL SR |
| 3/2 | ☆MPEG AUDIO [3/2] ☆DOLBY DIGITAL [3/2] | DISCRETE L C R SL SR | DISCRETE L C R SL SR | DISCRETE L C R SL SR | DISCRETE L C R SL SR |
| 2/0** | ☆MPEG AUDIO [2/0] ☆DOLBY DIGITAL [2/0] | PRO LOGIC L C R S | PRO LOGIC L C R S | PRO LOGIC L C R S | PRO LOGIC L C R S |
| | ☆DOLBY PROLOGIC | PRO LOGIC L C R S | PRO LOGIC L C R S | PRO LOGIC L C R S | PRO LOGIC L C R S |
| | ☆STEREO PCM**(kHz) | L R | L R | L R | L R |

* Sin Pro Logic

** Cuando esté activado el efecto Pro Logic o el perimétrico de tipo cine (CINEMA STUDIO A-C, etc.).

Solución de problemas

Si experimenta cualquiera de las dificultades siguientes cuando utilice su procesador, use esta guía para solucionar el problema. Si el problema persiste, póngase en contacto con su proveedor.

No hay sonido o solamente se oye sonido de nivel muy bajo.

- ➔ Compruebe si los altavoces y los componentes están conectados con seguridad.
- ➔ Si en el visualizador está indicándose "MUTING ON", presione MUTING.
- ➔ Cerciórese de seleccionar el componente correcto en el procesador.
- ➔ Cerciórese de seleccionar la entrada correcta en su amplificador multicanal.
- ➔ Cuando el modo de menú esté ajustado a EXPAND, cerciórese de que el ajuste del modo de entrada digital del menú CUSTOMIZE sea correcto (consulte la página 17).

El sonido de los altavoces izquierdo y derecho está desequilibrado o invertido.

- ➔ Compruebe si los altavoces y los componentes están conectados correctamente y con seguridad.

Se oye zumbido o ruido considerable.

- ➔ Compruebe si los altavoces y los componentes están conectados con seguridad.
- ➔ Compruebe si los cables conectores están alejados de un transformador o motor, y a 3 metros por lo menos de un televisor o lámpara fluorescente.
- ➔ Coloque su televisor alejado de los componentes de audio.
- ➔ Las clavijas y las tomas están sucias. Límpielas con un paño ligeramente humedecido en alcohol.

No hay sonido o solamente se oye sonido de nivel muy bajo a través de los altavoces traseros.

- ➔ Cerciórese de que el parámetro de tamaño de los altavoces traseros del menú SP. SETUP esté ajustado a pequeño o grande (consulte la página 8).
- ➔ Ajuste adecuadamente el volumen de los altavoces (consulte la página 9).
- ➔ Cerciórese de que ha activado el modo perimétrico (consulte la página 12).

No se oye sonido a través del altavoz central.

- ➔ Cerciórese de que el parámetro de tamaño del altavoz central del menú SP. SETUP esté ajustado a pequeño o grande (consulte la página 8).
- ➔ Ajuste adecuadamente el volumen del altavoz (consulte la página 9).

No es posible obtener efecto perimétrico.

- ➔ Cerciórese de activar el modo perimétrico (consulte la página 12).
- ➔ Presione EFFECT + del telemando cuando esté utilizando un modo de sonido de cine digital para aumentar la presencia del efecto perimétrico (consulte la página 14).


En la pantalla del televisor no hay imagen o ésta no es clara.

- ➔ Seleccione la función apropiada en su amplificador multicanal.
- ➔ Coloque su televisor alejado de los componentes de audio.

No es posible realizar la grabación digital.

- ➔ Compruebe si los componentes están correctamente conectados.
- ➔ Las fuentes MPEG o Dolby Digital (AC-3) no podrán grabarse digitalmente en una cinta audiodigital ni en un minidisco.

El telemando no funciona.

- ➔ Apunte con el telemando hacia el sensor de control remoto  del procesador.
- ➔ Elimine los obstáculos que haya entre el telemando y el procesador.
- ➔ Si las pilas del telemando están débiles, reemplace ambas por otras nuevas.
- ➔ Cerciórese de que la función BYPASS esté desactivada.

En el visualizador aparece "Turn POWER SW off!" y no se oye sonido.

- ➔ La temperatura interior de la unidad puede haber aumentado sobre los niveles de operación normal. Si la unidad está instalada en un bastidor, extráigala, y después trate de volver a conectar la alimentación. Si esto no soluciona el problema, consulte a su proveedor Sony.

Especificaciones

| | |
|--------------------------|----------------------------------------------------------------------------------------------------------|
| Entradas digitales | Ópticas: 3 Coaxial: 1 AC-3 RF: 1 |
| Salidas digitales | Óptica: 1 |
| Entradas de derivación | FRONT (L R), REAR (L R), CENTER, WOOFER |
| Salidas analógicas | FRONT (L R), REAR (L R), CENTER, WOOFER Nivel de salida: 1V Impedancia de salida: 1 kilohmio |
| Refuerzo de graves | +5 dB a 60 Hz |
| Alimentación | 220 - 230 V CA, 50/60 Hz |
| Consumo | 50 W |
| Dimensiones | 430 x 98 x 355.5 mm |
| Masa (Aprox.) | 6,5 kg |
| Accesorios suministrados | Consulte la página 4. |

El diseño y las especificaciones están sujetos a cambio sin previo aviso.

Glosario

Modo central

Ajuste utilizado por el modo Dolby Pro Logic Surround para determinar el tipo de proceso requerido para producir el efecto perimétrico con los altavoces que haya conectado. El modo central se determina automáticamente de acuerdo con el ajuste de los parámetros de tamaño de los altavoces en el menú SP. SETUP.

El circuito Dolby Digital (AC-3) del procesador proporciona un margen más versátil de ajustes de altavoces que el modo central de Dolby Pro Logic. Para su referencia, en la tabla siguiente se muestra la relación entre los parámetros de tamaño de altavoces de Dolby Digital (AC-3) y el modo central Dolby Pro Logic.

FS = Tamaño de los altavoces delanteros
CS = Tamaño del altavoz central
RS = Tamaño de los altavoces traseros
C. Mode = Modo central Dolby Pro Logic

| FS | CS | RS | C.Mode |
|-------|-------|-------|---------|
| SMALL | SMALL | SMALL | — |
| LARGE | SMALL | SMALL | NORMAL |
| SMALL | SMALL | LARGE | — |
| LARGE | SMALL | LARGE | NORMAL |
| LARGE | LARGE | SMALL | WIDE |
| LARGE | LARGE | LARGE | WIDE |
| SMALL | LARGE | SMALL | — |
| SMALL | LARGE | LARGE | — |
| SMALL | NO | SMALL | — |
| LARGE | NO | SMALL | PHANTOM |
| LARGE | NO | LARGE | PHANTOM |
| SMALL | NO | LARGE | — |
| LARGE | SMALL | NO | — |
| LARGE | LARGE | NO | 3CH |
| SMALL | SMALL | NO | — |
| SMALL | LARGE | NO | — |

Dolby Digital (AC-3)

Éste es un nuevo sistema perimétrico digital diseñado para reproducir Dolby SR-D (sistema de sonido tridimensional) en el hogar. Esta tecnología le permitirá disfrutar plenamente de la pista de sonido de 5.1 canales designada por el fabricante de la película, en el confort de su propio hogar.

MPEG AUDIO

Sistema de codificación estándar internacional para comprimir señales digitales de audio autorizadas por ISO/IEC. MPEG 1 admite sonido estéreo de hasta 2 canales. El sistema MPEG 2 empleado en los discos DVD admite sonido envolvente de canales de hasta 7,1. Presenta compatibilidad de retroceso (es posible reproducir la pista de sonido MPEG 2 con un reproductor que admita el sonido MPEG 1).

Digital Cinema Sound

Aplicación de la tecnología de proceso de señal digital Sony para desplazar el sonido de la posición real de los altavoces y simular información de dirección de sonido producida por varios altavoces ubicados en lugares alrededor o detrás de la posición de escucha.

El número y el ángulo de los altavoces simulados (virtuales) fue desarrollado para simular el sonido de la disposición de altavoces reales en salas de edición de Sony Pictures Entertainment, Hollywood. Estos modos de sonido le permitirán disfrutar de una reproducción fiel del ambiente acústico pretendido por el fabricante de la película, en el confort de su propio hogar.

Dolby Pro Logic Surround

Sistema decodificador de sonido Dolby Surround normalizado en programas y películas de televisión. En comparación con el anterior sistema Dolby Surround, Dolby Pro Logic Surround mejora la imagen del sonido utilizando cuatro canales separados, efectos acústicos fuera de pantalla, diálogo en pantalla, panoramización de izquierda a derecha, y música. Estos canales manipulan el sonido escuchado y realzan la acción a medida que se produce en la pantalla. Para aprovechar las ventajas de Dolby Pro Logic Surround, deberá poseer por lo menos un par de altavoces traseros y/o un altavoz central. También tendrá que seleccionar el modo central apropiado para disfrutar de un efecto pleno.

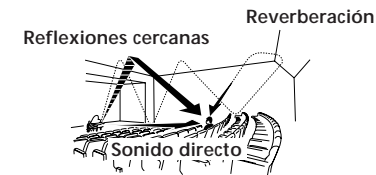
Dolby Surround

Sistema codificador y decodificador del sonido Dolby Surround para usuarios en general. Dolby Surround decodifica los canales extra de las pistas de sonido codificadas con Dolby Surround de videocintas de películas y programas de televisión, y produce efectos acústicos y ecos que hacen que la acción parezca envolverle.

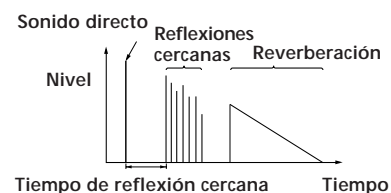
Sonido perimétrico

Sonido que se compone de tres elementos: sonido directo, sonido reflejado cerca (reflexiones cercanas), y sonido reverberativo (reverberación). Las condiciones acústicas de escucha del sonido afectarán la forma en la que se oirán estos tres elementos del sonido. Estos elementos del sonido se combinan de forma tal que usted podrá sentir realmente el tamaño y el tipo de una sala de conciertos.

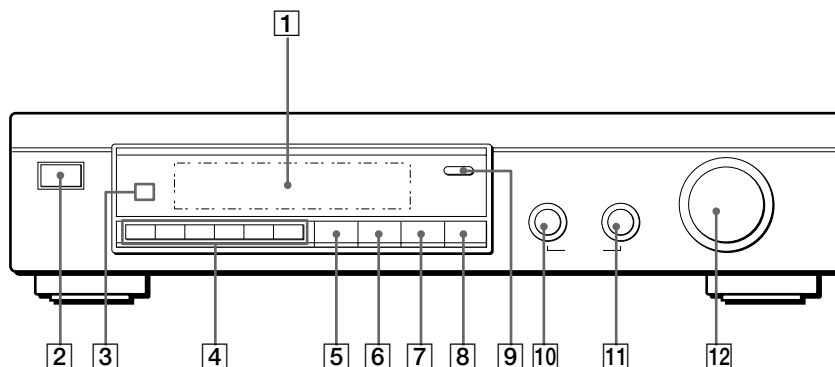
Tipos de sonido



Transición del sonido desde los altavoces traseros

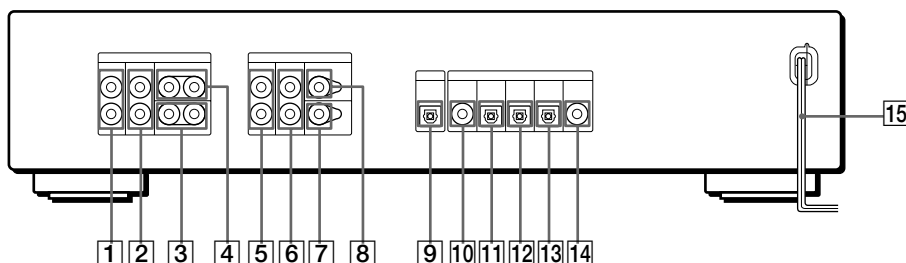


Descripción del panel frontal



- | | | |
|--------------------------------------------|--------------------------------------------------|---------------------------------------------|
| 1 Visualizador | 5 Refuerzo de graves (BASS BOOST) | 9 Configuración (SET UP) |
| 2 Alimentación (POWER) | 6 MPEG/Dolby Digital (MPEG/DOLBY DIGITAL) | 10 Menú (MENU) |
| 3 Sensor de control remoto (centro) | 7 Modo (MODE) | 11 +/- |
| 4 Selectores de entrada (INPUT) | 8 Desactivación (OFF) | 12 Volumen principal (MASTER VOLUME) |

Descripción del panel posterior



- | | | |
|-----------------------------------------------------------------------------------|---------------------------------------------------------------------------------------------------------|-----------------------------------------------------|
| 1 Salida para altavoces delanteros izquierdo y derecho (FRONT L, R OUTPUT) | 5 Entradas de derivación para altavoces delanteros izquierdo y derecho (FRONT L, R BYPASS INPUT) | 9 Salida digital óptica (DIGITAL OUTPUT) |
| 2 Salida para altavoces traseros izquierdo y derecho (REAR L, R OUTPUT) | 6 Entradas de derivación para altavoces traseros izquierdo y derecho (REAR L, R BYPASS INPUT) | 10 Entrada digital coaxial (DIGITAL INPUT 4) |
| 3 Salida(s) para altavoces de graves (WOOFER OUTPUT) | 7 Entrada de derivación para altavoz de graves (WOOFER BYPASS INPUT) | 11 Entrada digital óptica (DIGITAL INPUT 3) |
| 4 Salida(s) para altavoces centrales (CENTER OUTPUT) | 8 Entrada de derivación para altavoz central (CENTER BYPASS INPUT) | 12 Entrada digital óptica (DIGITAL INPUT 2) |
| | | 13 Entrada digital óptica (DIGITAL INPUT 1) |
| | | 14 Entrada AC-3 RF (AC-3 RF INPUT) |
| | | 15 Cable de alimentación de CA |

Índice alfabético

A, B

- Ajuste
 - nivel de efecto 14
 - volumen 9
 - volumen de los altavoces 9
- Altavoces
 - configuración 8
 - distancia 7, 9
 - frecuencia de corte 9, 18
 - modo (tamaño) 8
 - nivel de volumen 9
 - ubicación 7
- Altavoces delanteros
 - distancia 7, 9
 - equilibrio 9
 - frecuencia de corte 9, 18
 - modo (tamaño) 8
 - ubicación 7
- Altavoces trasero
 - distancia 7, 9s
 - equilibrio 9
 - frecuencia de corte 9, 19
 - modo (tamaño) 8
 - nivel de volumen 9
 - ubicación 7
- Altavoz central
 - distancia 7, 9
 - frecuencia de corte 9, 19
 - modo (tamaño) 8
 - nivel de volumen 9
 - ubicación 7
- Altavoz de subgraves
 - conexiones 4, 5, 6
 - nivel 16
 - modo 9, 16

C

- Conexión de componentes de audio 4
- Conexión de componentes digitales 6
- Conexiones 4
- Controles de tono 16

D, E, F

- Desembalaje 4
- Digital Cinema Sound 13
- Dolby Digital (AC-3) 23
- Dolby Pro Logic Surround 23
- Dolby Surround Sound 23

G, H, I, J, K, L

- Grabación
 - audio digital 14

M, N

- Menú CUSTOMIZE 17
- Menú LEVEL ADJUST 15
- Menú SP. SETUP 18
- Modo de menú ampliado 15, 18
- Modo de menú básico 15, 18
- MPEG 23

O

- Operaciones del menú 15

P, Q, R

- Panel frontal 24
- Panel posterior 24

S

- Selección de la fuente de programas 11
- Selección de una fuente de programas
 - utilizando el teletexto 11
- Solución de problemas 22

T, U, V, W, X, Y, Z

- Tono de prueba 9, 15

ADVERTÊNCIA

Para evitar o risco de incêndio ou de choque eléctrico, não exponha o aparelho à chuva nem à humidade.

Para evitar descargas eléctricas, não abra o aparelho. Solicite assistência somente a técnicos especializados.

Não instale o aparelho num espaço fechado, como por exemplo, uma estante ou um armário.

Precauções

Acerca da segurança

- Se algum objecto sólido ou líquido cair dentro do processador, este deve ser desligado da rede eléctrica e submetido a uma averiguação técnica por pessoal qualificado antes de voltar a ser utilizado.

Acerca das fontes de alimentação

- Antes de utilizar este processador, certifique-se de que a voltagem de funcionamento do mesmo é idêntica à tensão da rede eléctrica local. A voltagem de funcionamento está indicada na placa de identificação situada na parte posterior do processador.
- Mesmo com o interruptor de alimentação desactivado, o processador não estará desligado da fonte de tensão CA enquanto permanecer ligado a uma tomada da rede.
- Quando este processador não for ser utilizado por um período prolongado, desligue-o da tomada da rede. Para desligar o cabo, puxe-o pela ficha; nunca pelo fio.
- O cabo de alimentação CA deve ser alterado somente em serviços técnicos qualificados.

Acerca da instalação

- Instale o processador num local com ventilação adequada, a fim de evitar o seu sobreaquecimento interno e prolongar a vida útil dos seus componentes.
- Não instale este processador nas cercanias de fontes de calor, nem em locais sujeitos à luz solar directa, muito pó, ou choques mecânicos.
- Não coloque sobre a superfície superior do aparelho nada que possa bloquear os orifícios de ventilação e causar algum mau funcionamento.

Acerca do funcionamento

- Antes de ligar outros equipamentos, certifique-se de desligar e desconectar o processador.

Acerca da limpeza da parte externa do aparelho

- Limpe a parte externa, os painéis e os controlos com um pano macio levemente humedecido com uma solução de detergente suave. Não utilize nenhum tipo de escova abrasiva, pó saponáceo ou solvente, tal como álcool ou benzina.

Caso surjam quaisquer dúvidas ou problemas concernentes ao seu processador, consulte o seu agente Sony mais próximo.

Acerca deste manual

Convenções


- As instruções neste manual descrevem os controlos no processador. Podem-se, ainda, utilizar os controlos no telecomando, caso tenham o mesmo nome ou similar aos correspondentes no processador.
- Os símbolos a seguir são utilizados neste manual:



Indica que se pode utilizar somente o telecomando para executar a operação.



Indica informações e conselhos para tornar a sua tarefa mais fácil.

Este processador possui o sistema perimétrico Dolby Pro Logic Surround. Fabricado sob licença de Dolby Laboratories Licensing Corporation. Dolby, o símbolo de duplo D  AC-3 e PRO LOGIC são marcas comerciais de Dolby Laboratories Licensing Corporation.

ÍNDICE

Preparativos

- Desempacotamento 4
- Ligação do sistema 4
- Localização dos altifalantes 7
- Antes de utilizar o seu processador 7
- Instalação de Altifalantes 8

Operações do Processador

- Seleção de um componente 11
- Seleção de um campo perimétrico 12
- Gravação Digital 14
- Acertos e ajustes 15
- Compreensão do mostrador 20

Informações Adicionais

- Verificação de Problemas 22
- Especificações 23
- Glossário 23

Descrição do Painel Frontal 24

Descrição do Painel Posterior 24


Índice Remissivo 25

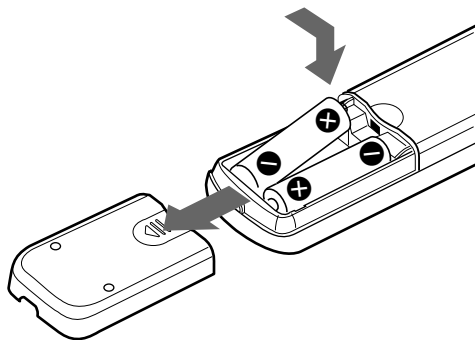
Desempacotamento

Certifique-se de ter recebido os itens a seguir junto com o seu processador:

- Telecomando (1)
- Pilhas R6 (tamanho AA) (2)
- Cabos de Ligação (3)

Inserção de pilhas no telecomando

Insira duas pilhas R6 (tamanho AA), observando a correspondência dos pólos + e - com as marcas no compartimento. Na utilização do telecomando, aponte-o ao sensor remoto  no processador.



Quando substituir as pilhas

Sob condições normais de utilização, as pilhas devem durar cerca de 6 meses. Quando o telecomando não mais controlar o processador, substitua ambas as pilhas por outras novas.

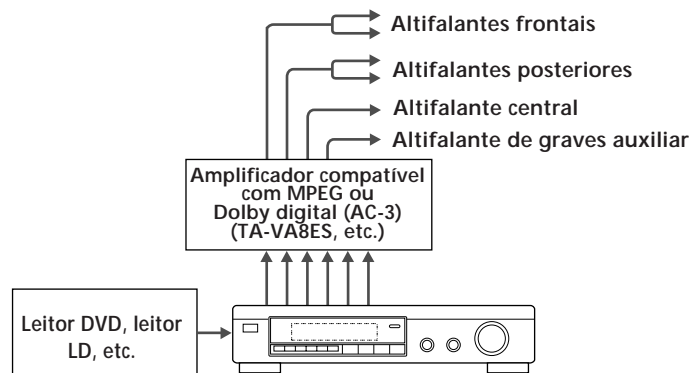
Notas

- Não deixe o telecomando em locais extremamente quentes ou húmidos.
- Não utilize baterias novas com velhas.
- Não exponha o sensor remoto à luz solar directa ou a aparatos de iluminação. Do contrário, poderá causar algum mau funcionamento.
- Caso não utilize o telecomando por um período prolongado, remova as pilhas para evitar possíveis avarias decorrentes da fuga do electrólito e posterior corrosão das pilhas.

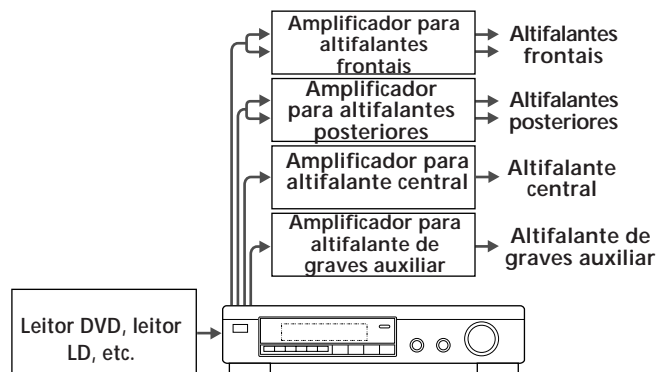
Ligação do sistema

O processador perimétrico permite-lhe ligar um total de 5 componentes-fonte de áudio (vídeo) digital, tais como leitor DVD ou leitor LD com uma saída AC-3 RF. A ilustração à direita descreve como efectuar ligações entre os seus componentes-fonte de áudio (vídeo) digital, o processador perimétrico e o seu amplificador de multicanais.

- Ligação de um amplificador com entradas de canal 5.1



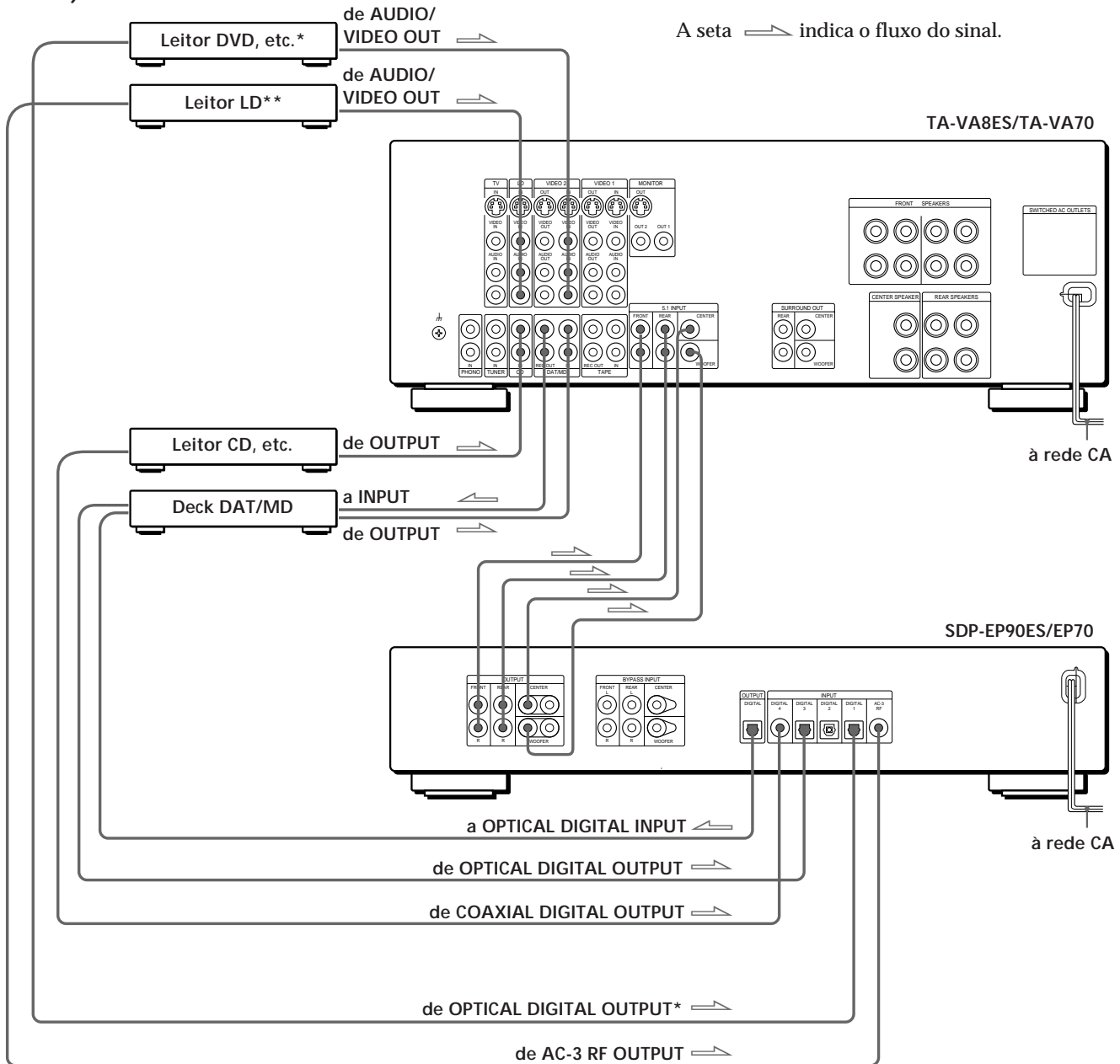
- Ligação de amplificadores separados para cada altifalante



1 Ligue os terminais OUTPUT do processador perimétrico às entradas de canal frontais (esquerda e direita), posteriores (esquerda e direita), central e de altifalante de graves auxiliar do seu amplificador (para o TA-VA8ES/TA-VA70, ligue os terminais 5.1 INPUT conforme ilustrado na página a seguir).

2 Ligue as saídas de áudio digital de cada componente aos terminais apropriados na traseira do processador perimétrico. As entradas digitais deste aparelho detectam automaticamente sinais MPEG, Dolby Digital (AC-3), ou PCM. O terminal de entrada AC-3 RF para uso com leitores LD destina-se somente aos sinais Dolby Digital (AC-3).

Ligação de um amplificador com entradas de canal 5.1 (tal como o Sony TA-VA8ES/TA-VA70, etc.)



Notas acerca da ligação


- Não ligue o cabo de alimentação CA a uma tomada da rede nem pressione o interruptor ① (POWER) antes de completar todas as ligações.
- Os conectores dos cabos devem ser completamente inseridos nas tomadas. Ligações frouxas podem causar zumbidos e outros ruídos.
- Tomadas e fichas dos cabos de ligação estão codificados por cores, como segue:
Tomadas e fichas amarelas: Sinal de vídeo
Tomadas e fichas vermelhas: Canal de áudio direito
Tomadas e fichas brancas: Canal de áudio esquerdo


Podem-se utilizar os cabos vermelhos ou brancos para ligar o altifalante central e o altifalante de graves auxiliar.

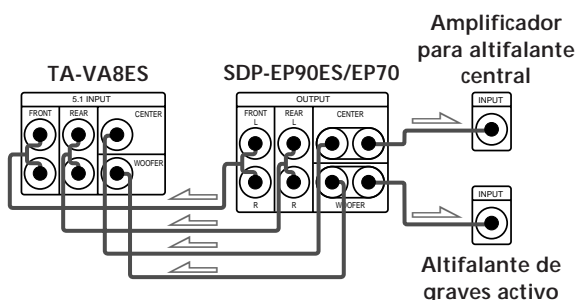
* Caso o seu leitor DVD possua um COAXIAL DIGITAL OUTPUT, recomenda-se ligar COAXIAL DIGITAL INPUT do leitor DVD a DIGITAL INPUT 4 (COAXIAL IN) do aparelho, em vez da ligação óptica mostrada acima.

** Caso o seu leitor LD possua uma saída digital óptica, ligue-a a uma das tomadas DIGITAL INPUT 1-3 deste aparelho. Esta ligação pode ser utilizada junto com a ligação AC-3 RF.

(continua...)

- 
Caso possua um amplificador perimétrico adicional com terminais de saída pré-amp (tais como o Sony TA-E2000ESD)
 Pode-se ligá-lo às tomadas BYPASS INPUT deste aparelho. Os sinais do amplificador ligado serão emanados sem alterações pelas tomadas OUTPUT deste aparelho quando se seleccionar BYPASS (consulte a página 11 quanto a detalhes).

- 
Caso possua um altifalante central adicional ou um altifalante de graves auxiliar activo
 Ligue o outro terminal CENTER OUTPUT à entrada no amplificador para o seu outro altifalante central.
 Ligue o outro terminal WOOFER OUTPUT ao terminal de entrada no altifalante de graves activo.



Ligação de componentes digitais

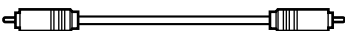
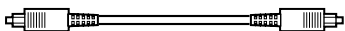
Podem-se ligar as tomadas de saída digital de um leitor DVD, deck DAT/MD, leitor CD, etc. às tomadas de entrada digital do processador perimétrico (DIGITAL INPUT 1-4).

Pode-se também ligar o terminal de saída AC-3 RF de um leitor LD ao terminal AC-3 RF INPUT do processador perimétrico.

É possível ligar a tomada de saída digital do processador perimétrico (DIGITAL OUTPUT) a um deck DAT/MD.

Quais os cabos necessários?

- Cabo de ligação digital óptica (venda avulsa)
- Cabo de ligação digital coaxial (venda avulsa)

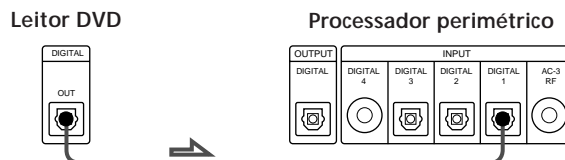


Ligações

A seta  indica o fluxo do sinal.

Leitor DVD

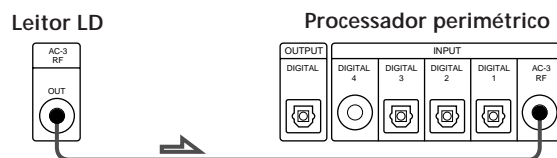
Certifique-se de ligar a saída digital do leitor DVD a uma das tomadas DIGITAL INPUT 1-4 do processador perimétrico.



Caso o seu leitor DVD possua um COAXIAL DIGITAL OUTPUT, recomenda-se ligar COAXIAL DIGITAL INPUT do leitor DVD a DIGITAL INPUT 4 (COAXIAL IN) deste aparelho em vez de efectuar a ligação óptica mostrada acima.

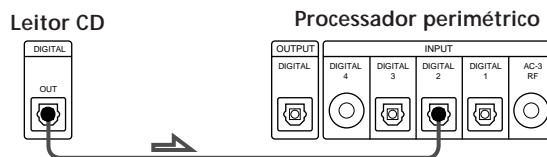
Leitor LD

Certifique-se de ligar a saída AC-3 RF do leitor LD às tomadas AC-3 RF INPUT do processador perimétrico.

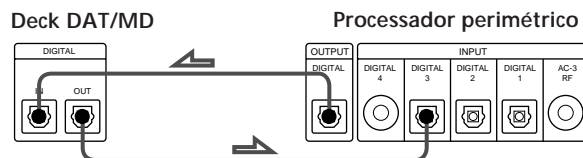


Caso o seu leitor LD possua uma saída digital óptica, ligue-a a uma das tomadas DIGITAL INPUT 1-3 deste aparelho. Esta ligação pode ser usada junto com a ligação AC-3 RF.

Leitor CD



Deck DAT/MD



Nota

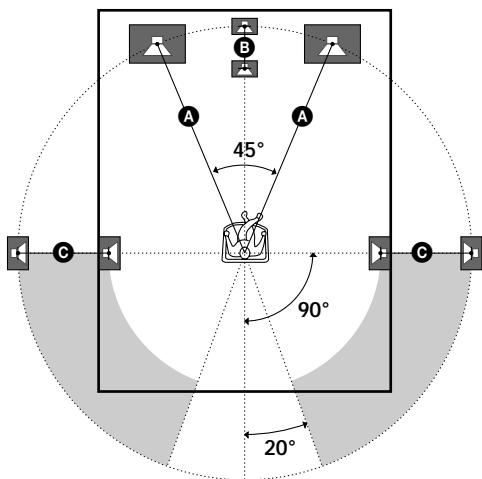
Este aparelho é compatível somente com componentes digitais a utilizar frequências de amostragem de 32 kHz/44,1 kHz/48 kHz. Não tem compatibilidade com 96 kHz.

Localização dos altifalantes

Para o melhor som perimétrico possível, todos os altifalantes devem estar à mesma distância da posição de audição (A).

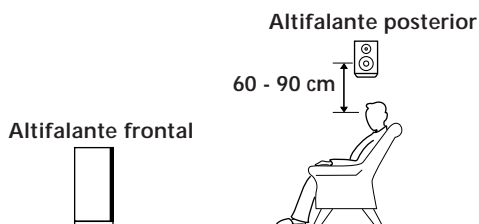
(Entretanto, este aparelho permite-lhe posicionar o altifalante central a até 1,5 metros mais próximo (B), e os altifalantes posteriores a até 4,5 metros mais próximo (C) da posição de audição.

Os altifalantes frontais podem ser posicionados de 1,0 a 12,0 metros da posição de audição (A).)

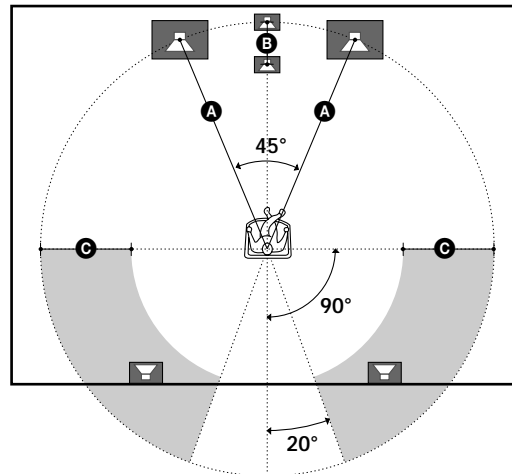


Notas

- Não posicione os altifalantes posteriores ou central mais distantes da posição de audição que os altifalantes frontais.
- Na montagem dos altifalantes posteriores em paredes laterais perpendicularmente à posição de audição, devem-se posicioná-los 60 - 90 cm acima da posição de audição.



Conforme o formato do seu recinto (etc.), pode-se optar por posicionar os altifalantes posteriores atrás da posição de audição, em vez de nas paredes laterais. Uma vantagem desta disposição é a possibilidade de usar um par de altifalantes de grande porte sobre o piso combinando com os seus altifalantes frontais.



Nota

Caso posicione os altifalantes posteriores atrás da posição de audição, certifique-se de verificar o ajuste da posição do altifalante no menu SP.SETUP quando utilizar os campos acústicos VIRTUAL MULTI REAR e VIRTUAL REAR SHIFT (consulte as páginas 8 e 13 quanto aos detalhes).

Antes de utilizar o seu processador

Antes de começar a utilizar o seu processador, certifique-se de ter:

- Girado MASTER VOLUME até -20 dB (próximo à posição central).

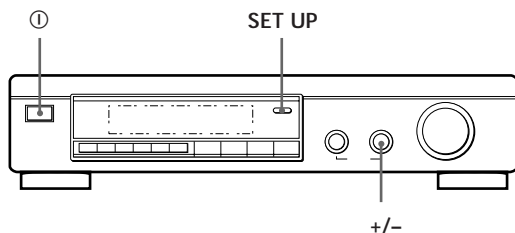
Ligue o processador e verifique o indicador que segue.

- Pressione MUTING no telecomando, caso «MUTING ON» apareça no mostrador.
- Pressione BYPASS ou uma das teclas INPUT, caso «BYPASS ON» apareça no mostrador.
- Pressione SET UP para registrar o tipo de altifalante ligado e a sua distância da posição de audição (consulte «Instalação de Altifalantes» na página seguinte).

Instalação de Altifalantes

Para obter o melhor som perimétrico possível, primeiro especifique o tipo de altifalantes ligados e a sua distância da posição de audição. E então use o sinal de teste para ajustar o volume dos altifalantes ao mesmo nível.

Especificação do tipo e da distância dos altifalantes



- 1 Pressione ① (POWER) no painel frontal para ligar o processador.
- 2 Pressione SET UP.
"SP. SETUP" aparece no mostrador.
- 3 Pressione SET UP repetidamente para seleccionar o parâmetro que deseja ajustar.
- 4 Gire o botão +/- para seleccionar o ajuste desejado. Os ajustes são introduzidos automaticamente.
- 5 Repita os passos 3 e 4 até ter ajustado todos os parâmetros mostrados abaixo.
- 6 Pressione SET UP para sair do modo de instalação.

Porte do altifalante frontal

O ajuste inicial é : FRONT SP [LARGE]

- Caso conecte altifalantes de grande porte que irão reproduzir efectivamente baixas frequências, seleccione "LARGE".
- Caso conecte altifalantes de pequeno porte com mínima resposta de graves, seleccione "SMALL" para activar o circuito de redireccionamento de graves Dolby Digital (AC-3) e exteriorizar as frequências de graves do canal frontal a partir do altifalante de graves auxiliar ou outros altifalantes "LARGE".

Porte do altifalante central

O ajuste inicial é : CENTER SP [LARGE]

- Caso conecte altifalantes de grande porte que irão reproduzir efectivamente baixas frequências, seleccione "LARGE" (modo WIDE).
- Caso conecte altifalantes de pequeno porte com mínima resposta de graves, seleccione "SMALL" para activar o circuito de redireccionamento de graves Dolby Digital (AC-3) e exteriorizar as baixas frequências do canal central a partir dos altifalantes frontais, do altifalante de graves auxiliar ou outros altifalantes "LARGE" (modo NORMAL).
- Caso não conecte o altifalante central, seleccione "NO" (modo PHANTOM).

Porte do altifalante posterior

O ajuste inicial é : REAR SP [LARGE]

- Caso conecte altifalantes de grande porte que irão reproduzir efectivamente baixas frequências, seleccione "LARGE".
- Caso conecte altifalantes de pequeno porte com mínima resposta de graves, seleccione "SMALL" para activar o circuito de redireccionamento de graves Dolby Digital (AC-3) e exteriorizar as baixas frequências do canal posterior a partir do altifalante de graves auxiliar ou outros altifalantes "LARGE".
- Caso não conecte os altifalantes posteriores, seleccione "NO" (modo 3 CH).

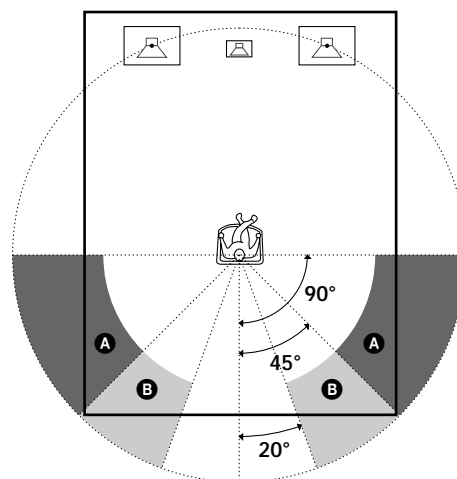
Posição do altifalante posterior

O ajuste inicial é : REAR SP [SIDE 1]

Este parâmetro permite-lhe especificar a posição dos seus altifalantes posteriores para a implementação apropriada dos modos VIRTUAL REAR SHIFT e VIRTUAL MULTI REAR do Som de Cinema Digital. Consulte a ilustração abaixo.

- Ajuste a SIDE, caso a posição dos altifalantes posteriores corresponda à secção A.
- Ajuste a BEHIND, caso a posição dos altifalantes posteriores corresponda à secção B.

Este ajuste tem efeito somente nos modos VIRTUAL REAR SHIFT e VIRTUAL MULTI REAR.



Seleção do altifalante de graves auxiliar

O ajuste inicial é : SUB WOOFER [YES]

- Caso conecte um altifalante de graves auxiliar, selecione "YES" para exteriorizar o canal LFE (efeito de baixas frequências) a partir do altifalante de graves auxiliar.
- Caso não conecte um altifalante de graves auxiliar, selecione "NO". Isto activará o circuito de redireccionamento de graves MPEG/Dolby Digital (AC-3) e exteriorizará os sinais LFE de outros altifalantes.
- Para tirar a máxima vantagem do circuito de redireccionamento de graves Dolby Digital (AC-3), recomenda-se ajustar a frequência de corte do altifalante de graves auxiliar o mais alto possível. (Entretanto, quando usar um amplificador com entradas de canal 5.1, ajuste a frequência de corte do altifalante de graves auxiliar de forma a corresponder às características do amplificador.

Distância do altifalante frontal

O ajuste inicial é : FRONT 5.0 meter

Ajuste a distância a partir da sua posição de audição até o altifalante frontal (esquerdo ou direito) ((A) na página 7).

- A distância do altifalante frontal pode ser ajustada em passos de 0,1 metro, a partir de 1,0 até 12,0 metros.
- Caso ambos os altifalantes não estejam posicionados a uma igual distância da sua posição de audição, ajuste a distância para o altifalante mais próximo.

Distância do altifalante central

O ajuste inicial é : CENTER 5.0 meter

Ajuste a distância a partir da sua posição de audição até o altifalante central.

- A distância do altifalante central pode ser ajustada em passos de 0,1 metro, de uma distância igual à do altifalante frontal ((A) na página 7) até uma distância de 1,5 metros mais próxima da sua posição de audição ((B) na página 7).
- Não coloque o altifalante central mais distante da sua posição de audição que os altifalantes frontais.

Distância do altifalante posterior

O ajuste inicial é : REAR 3.5 meter

Ajuste a distância a partir da sua posição de audição até o altifalante posterior (esquerdo ou direito).

- A distância do altifalante posterior pode ser ajustada em passos de 0,1 metro, de uma distância igual à do altifalante frontal ((A) na página 7) até uma distância de 4,5 metros mais próxima da sua posição de audição ((C) na página 7).
- Não coloque os altifalantes posteriores mais distantes da sua posição de audição que os altifalantes frontais.
- Caso ambos os altifalantes não estejam posicionados a uma mesma distância da sua posição de audição, ajuste a distância do altifalante mais próximo.

🔊 Para ajustar manualmente a frequência de saída de graves

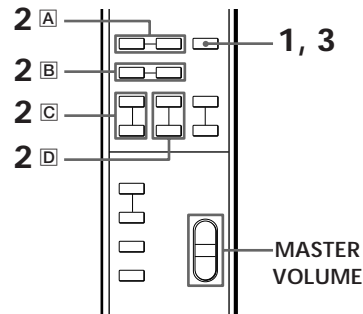
Quando as dimensões do altifalante frontal, central ou posterior são ajustadas para pequeno porte, a frequência de saída de graves é automaticamente ajustada a 120 Hz. Para seleccionar uma frequência de saída diferente, ajuste o modo do menu para EXPAND e utilize os parâmetros de saída do altifalante frontal, central ou posterior no menu de ajuste de altifalante.

Para detalhes sobre o modo do menu, consulte a página 15.

Para detalhes sobre os parâmetros de saída, consulte a página 19.

Ajuste do volume dos altifalantes

Utilize o telecomando enquanto sentado(a) na sua posição de audição para ajustar o volume de cada altifalante.



Nota

Este aparelho incorpora um novo sinal de teste com uma frequência centralizada em 800 Hz para um ajuste mais fácil do volume dos altifalantes.

- 1 Carregue em TEST.
Será emanado o sinal de teste de cada altifalante sequencialmente.
- 2 A partir da sua posição de audição, utilize o telecomando para ajustar o volume de cada altifalante, de forma que o sinal de teste possa ser escutado no mesmo nível de todos os altifalantes.
 - A Pressione FRONT BAL L ou R para ajustar o balanço entre os altifalantes frontais esquerdo e direito (± 8 dB; 0,5 dB/passos). Durante este ajuste, o sinal de teste é emitido a partir de ambos os altifalantes simultaneamente.
 - B Pressione REAR BAL L ou R para ajustar o balanço entre os altifalantes posteriores esquerdo e direito (± 8 dB; 0,5 dB/passos). Durante este ajuste, o sinal de teste é emitido a partir de ambos os altifalantes simultaneamente.
 - C Carregue em CENTER + ou - para ajustar o nível do altifalante central (0,5 dB/passos). Durante este ajuste, o sinal de teste é emitido a partir do altifalante central.
 - D Pressione REAR + ou - para ajustar o nível dos altifalantes posteriores (0,5 dB/passos). Durante este ajuste, o sinal de teste é emitido de ambos os altifalantes simultaneamente.
- 3 Pressione TEST para desligar o sinal de teste.

(continua...)

Para ajustar o volume de todos os altifalantes de uma vez

Utilize MASTER VOLUME no processador, telecomando ou processador de multicanais.

Ao utilizar um amplificador com entradas de canal 5.1, ajuste MASTER VOLUME deste aparelho a -20 dB (próximo à posição central) e ajuste o controlo de volume do amplificador.

Para ajustar o sinal de teste a um canal específico

Ajuste o modo do menu a EXPAND e use o parâmetro de sinal de teste no menu LEVEL ADJUST para seleccionar o canal desejado.

Quanto a detalhes sobre o modo do menu, consulte a página 15.

Quanto a detalhes sobre o parâmetro do sinal de teste, consulte a página 15.

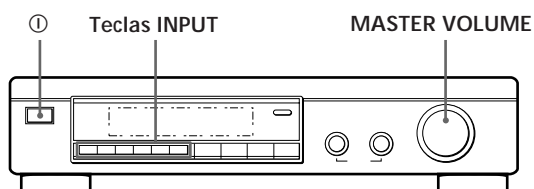
Notas

- O balanço frontal, o balanço posterior, o nível central e o nível posterior são mostrados no visor durante o ajuste.
- Embora tais ajustes possam também ser efectuados com o menu LEVEL ADJUST usando os botões no painel frontal, recomenda-se seguir o procedimento descrito acima e ajustar os níveis dos altifalantes a partir da sua posição de audição, utilizando o telecomando.

Seleção de um componente

Para a audição ou a assistência de um componente conjugado, primeiro selecione a função no processador ou com o telecomando. Antes de iniciar, certifique-se de ter:

- ligado todos os componentes firme e correctamente, tal como indicado nas páginas de 4 a 7;
- girado MASTER VOLUME até -20 dB (próximo à posição central) (quando utilizar um amplificador com entradas de canal 5.1);
- girado MASTER VOLUME a $-\infty$ dB (quando utilizar amplificadores separados para cada altifalante).



- 1 Carregue em Ⓛ (POWER) para ligar o processador.
- 2 Pressione uma tecla INPUT para seleccionar o componente que pretende utilizar:

| Para escutar ou assistir a | Pressione |
|------------------------------------------------------------------|-------------------|
| Um leitor LD ligado à tomada AC-3 RF INPUT | AC-3 RF |
| O componente ligado à tomada de entrada óptica DIGITAL 1, 2 ou 3 | DIGITAL 1, 2 ou 3 |
| O componente ligado à tomada de entrada coaxial DIGITAL 4 | DIGITAL 4 |
| O componente ligado às tomadas de entrada BYPASS | BYPASS** |

* As entradas digitais deste aparelho detectam sinais MPEG, Dolby Digital (AC-3), ou PCM automaticamente. (O terminal de entrada AC-3 RF para uso com leitores LD destina-se somente a sinais Dolby Digital (AC-3).)

- **
- As funções do menu podem não estar disponíveis quando o aparelho é ajustado ao modo "BYPASS ON".
 - Caso tenha ligado um amplificador de áudio adicional (etc.) às tomadas BYPASS IN do processador tal como descrito na página 6, utilize o selector de função em tal componente para seleccionar o componente que deseja escutar (por exemplo, "CD").
 - Este aparelho comuta ao modo "BYPASS ON" enquanto POWER está desligado.

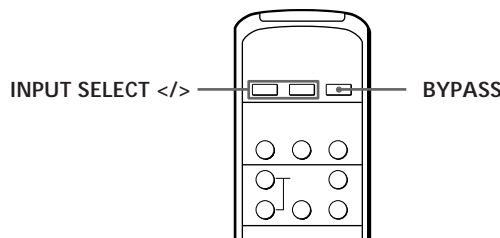
- 3 Quando ligado a um amplificador com entradas de canal 5.1, ligue o seu amplificador, selecione o respectivo componente e então selecione a entrada de canal 5.1.
EXEMPLO: Gire FUNCTION para seleccionar "LD" e então pressione 5.1 INPUT (para Sony TA-VA8ES). Nesse momento, ajuste o controlo MASTER VOLUME no seu amplificador a "0".
- 4 Ligue o componente-fonte, o leitor LD por exemplo, e inicie a reprodução.
- 5 Utilize MASTER VOLUME no seu amplificador para ajustar o volume.

| Para | Procedimento |
|----------------------------------------------------|------------------------------------------------------------------------------|
| Silenciar o som | Pressione MUTING no telecomando. Pressione-a novamente para restaurar o som. |
| Reforçar os graves | Pressione BASS BOOST para ligar o indicador B.BOOST. |
| Desligar o visor | Pressione DISPLAY no telecomando. |
| Ajustar o nível do altifalante de graves auxiliar* | Pressione SUB WOOFER +/- no telecomando. |

* Para obter vantagem total do circuito de redireccionamento de graves MPEG/Dolby Digital (AC-3), recomenda-se ajustar a frequência de corte do altifalante de graves auxiliar o mais alto possível. (Entretanto, quando usar um amplificador com entradas de canal 5.1, ajuste a frequência de corte do altifalante de graves auxiliar de forma a corresponder às características do amplificador.)

Utilização do telecomando

O telecomando permite-lhe operar o processador.
EXEMPLO: Para escutar um disco laser codificado por Dolby Digital (AC-3) reproduzido



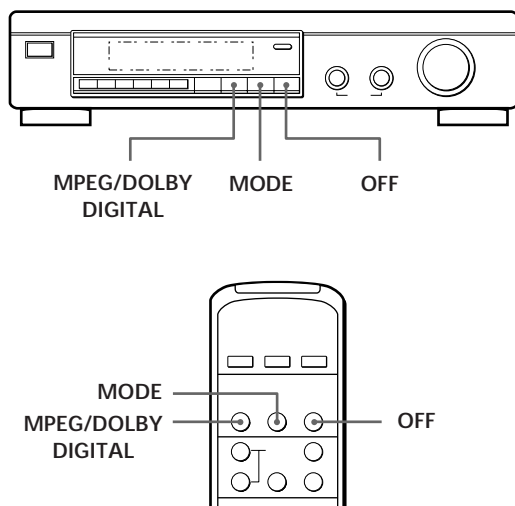
- 1 Carregue em Ⓛ (POWER) no painel frontal para ligar o processador.
- 2 Pressione INPUT SELECT < ou > repetidamente para exibir a entrada para o componente que deseja utilizar (ou carregue em BYPASS para exibir "BYPASS ON").
EXEMPLO: Caso tenha ligado o seu leitor LD a AC-3 RF INPUT, selecione "AC-3 RF".

Seleção de um campo perimétrico

Pode-se seleccionar um campo perimétrico de acordo com o tipo de fonte em reprodução.

Na reprodução de fontes de programa gravados no formato MPEG ou Dolby Digital (AC-3), pode-se desfrutar do som perimétrico simplesmente pela selecção de "MPEG/DOLBY DIGITAL".

Este aparelho também incorpora vários modos acústicos preprogramados denominados "Digital Cinema Sound". Selecione dentre tais modos perimétricos, o de sua preferência para desfrutar os efeitos perimétricos potentes de uma ampla variedade de fontes de programa.



Para seleccionar o modo MPEG ou Dolby Digital surround

Carregue em MPEG/DOLBY DIGITAL. Normalmente, selecione este modo quando reproduzir fontes de programa gravados no formato MPEG ou Dolby Digital (AC-3).

Para seleccionar o Digital Cinema Sound

Carregue em MODE repetidamente, até que o modo desejado apareça no visor.

Consulte o quadro na página a seguir quanto a detalhes sobre os tipos de modo perimétrico disponíveis e os efeitos que oferecem.

Quando se selecciona DOLBY SURROUND

Quando o sinal em entrada é PCM, ocorre a reprodução de 2 canais normal.

Quando o sinal em entrada é Dolby Digital (AC-3), o número de canais reproduzidos é determinado automaticamente, de acordo com as características do sinal de entrada.

No modo "DOLBY SURROUND", o número de canais em reprodução da fonte de programa aparece no visor como mostrado abaixo:

| Visor | Canais reproduzidos |
|---------------------------------------------|---------------------------------------------|
| STEREO PCM [xx kHz]* | Reprodução PCM normal |
| MPEG AUDIO [1/0]** DOLBY DIGITAL [1/0]** | Central somente (mono) |
| MPEG AUDIO [2/0] DOLBY DIGITAL [2/0] | Frontal (L, R) |
| MPEG AUDIO [2/1] DOLBY DIGITAL [2/1] | Frontal (L, R) + Posterior (mono) |
| MPEG AUDIO [2/2] DOLBY DIGITAL [2/2] | Frontal (L, R) + Posterior (L, R) |
| MPEG AUDIO [3/0]** DOLBY DIGITAL [3/0]** | Frontal (L, R) + Central |
| MPEG AUDIO [3/1] DOLBY DIGITAL [3/1] | Frontal (L, R) + Central + Posterior (mono) |
| MPEG AUDIO [3/2] DOLBY DIGITAL [3/2] | Frontal (L, R) + Central + Posterior (L, R) |
| DOLBY PROLOGIC | Frontal (L, R) + Central + Posterior (mono) |

* 48 kHz, 44,1 kHz ou 32 kHz é exibido. 44,1 kHz é exibido como "44 kHz".

** O efeito perimétrico pode não ser prontamente aparente em todos os casos.

Na reprodução de uma fonte MPEG ou Dolby Digital (AC-3) de 2 canais, o aparelho determina automaticamente um Pro Logic da reprodução estéreo de acordo com a informação provida pela fonte de programa.

Podem-se reconhecer materiais codificados por Dolby Surround pela embalagem

Utilize discos com o logotipo . Para poder desfrutar da reprodução Dolby Digital (AC-3), devem-se utilizar discos que possuam tal logotipo.

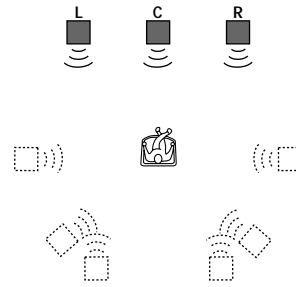
Digital Cinema Sound

| Modo perimétrico | Efeito |
|---------------------------------------|-------------------------------------------------------------------------------------------------------------------------------------------------------------------------------------------------------------------------------------------------------------------------------------------|
| NORMAL SURROUND | Descodifica programas processados com MPEG ou Dolby Surround. Utilize-o para descodificar fontes de 2 canais usando a descodificação Dolby Pro Logic. |
| ENHANCED SURROUND | Provê um maior senso de presença das fontes Pro Logic com som do canal posterior monofónico. Produz um efeito similar a estéreo nos canais posteriores. |
| LARGE THEATER | Reproduz as acústicas de uma sala de cinema padrão. |
| CINEMA STUDIO A | Reproduz as características de som do estúdio de produção cinematográfica da Sony Pictures Entertainment "Cary Grant Theatre". |
| CINEMA STUDIO B | Reproduz as características de som do estúdio de produção cinematográfica da Sony Pictures Entertainment "Kim Novak Theatre". |
| CINEMA STUDIO C | Reproduz as características de som do palco instrumental da Sony Pictures Entertainment. |
| VIRTUAL ENHANCED (SURROUND) A (III.1) | Utiliza a imagem virtual de som 3D para criar altifalantes posteriores virtuais do som dos altifalantes frontais sem a utilização real de altifalantes posteriores. Os altifalantes virtuais são reproduzidos como mostrado na il. 1. |
| VIRTUAL ENHANCED (SURROUND) B (III.2) | Utiliza a imagem virtual de som 3D para criar altifalantes posteriores virtuais do som dos altifalantes frontais sem a utilização real de altifalantes posteriores. Os altifalantes virtuais são reproduzidos como mostrado na il. 2. |
| VIRTUAL REAR SHIFT (III.3) | Utiliza a imagem virtual de som 3D para deslocar o som dos altifalantes posteriores para longe da posição real do altifalante. A posição de deslocamento difere de acordo com o ajuste de posição do altifalante posterior (SP.SETUP). |
| VIRTUAL MULTI REAR (III.4) | Utiliza a imagem virtual de som 3D para criar um arranjo de altifalantes posteriores virtuais a partir de um simples par de altifalantes posteriores reais. A posição dos altifalantes posteriores virtuais difere de acordo com o ajuste da posição do altifalante posterior (SP.SETUP). |
| LARGE HALL | Reproduz a acústica de uma casa de shows ao vivo. Utilize-o quando reproduzir gravações de concertos ao vivo (etc.). |
| LIVE HOUSE | Cria um som perimétrico simulado a partir de fontes monofónicas tais como filmes ou programas de TV antigos. |

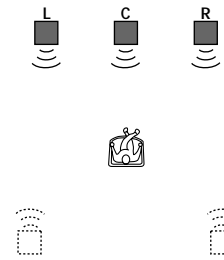
Para desligar o efeito perimétrico (reprodução estéreo de 2 canais)

Carregue em OFF (ou DIGITAL CINEMA SOUND - OFF no telecomando). Nesse momento, os sinais MPEG ou Dolby Digital (AC-3) são automaticamente misturados aos sinais frontais (L, R).

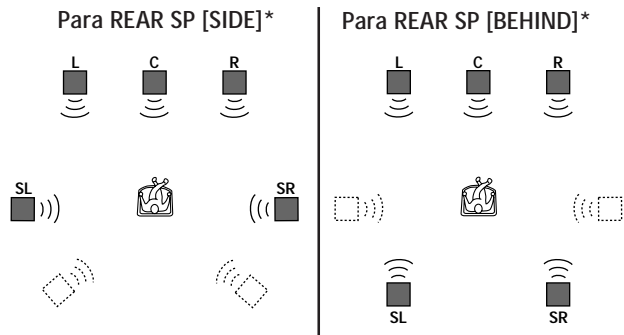
III.1 VIRTUAL ENHANCED (SURROUND) A



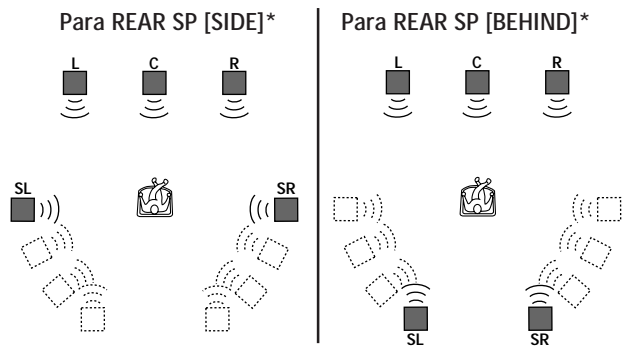
III.2 VIRTUAL ENHANCED (SURROUND) B



III.3 VIRTUAL REAR SHIFT



III.4 VIRTUAL MULTI REAR



- L: Altifalante frontal (esquerdo)
- R: Altifalante frontal (direito)
- C: Altifalante central
- SL: Altifalante posterior (esquerdo)
- SR: Altifalante posterior (direito)
- : Altifalante virtual

* Consulte a página 8 quanto a detalhes sobre o procedimento de ajuste da posição do altifalante posterior.

(continua...)

Ajuste do nível de efeito perimétrico (somente para os modos de Digital Cinema Sound*)

Pode-se ajustar o nível de efeito perimétrico. Este controlo permite-lhe ajustar a "presença" do modo de Som de Cinema Digital corrente a partir de 0% (sem efeitos de som de cinema digital) até 100% (150%) em passos de 5%.

* Este ajuste não é possível no modo NORMAL SURROUND ou ENHANCED SURROUND.

- 1 Comece a reproduzir uma fonte de programa.
- 2 Pressione DIGITAL CINEMA SOUND - MODE no telecomando repetidamente para seleccionar o modo desejado.
- 3 Pressione EFFECT + ou - no telecomando para seleccionar o nível preferido. O nível de efeito está indicado no mostrador durante o ajuste. O nível é armazenado automaticamente.

Nota

A alteração do nível de efeito pode não produzir maiores variações no efeito perimétrico quando usado com certas fontes de reprodução.



Pode-se também ajustar o nível de efeito perimétrico com os controlos no painel frontal. Utilize MENU e os botões +/- para ajustar o parâmetro de nível de efeito perimétrico no menu SURROUND. Consulte a página 15 quanto aos detalhes nas operações do menu e o parâmetro de nível de efeito perimétrico.

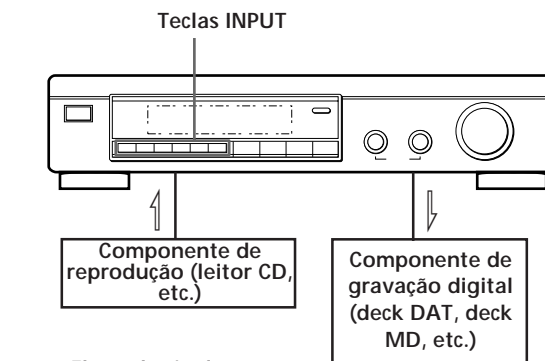
Compressão da amplitude dinâmica (somente MPEG ou Dolby Digital (AC-3))

Ao introduzir um sinal MPEG ou Dolby Digital (AC-3), pode-se comprimir a amplitude dinâmica da pista sonora, mediante a utilização dos parâmetros de compressão da amplitude dinâmica no menu SURROUND. Isto pode ser útil quando se deseja assistir a filmes em volume baixo, tarde da noite. Consulte a página 15 quanto aos detalhes acerca das operações no menu e a página 16 quanto aos detalhes acerca do parâmetro de compressão da amplitude dinâmica.

Gravação Digital

Este processador facilita efectuar gravações digitais a partir dos componentes ligados ao processador. Não é necessário ligar directamente os componentes de reprodução e gravação.

Antes de começar, certifique-se de ter ligado todos os componentes apropriadamente.



EXEMPLO: Gravação de um CD usando um deck DAT. Consulte o manual de instruções do seu leitor DAT ou CD em caso de necessidade de auxílio.

- 1 Pressione DIGITAL 1 (caso um leitor CD esteja ligado a DIGITAL 1 INPUT) para seleccionar o leitor CD.
- 2 Insira uma fita de áudio digital em branco no deck DAT para gravação.
- 3 Inicie a gravação no DAT e então inicie a reprodução do CD que deseja gravar.

Nota

Não é possível gravar o sinal digital a partir de uma fonte de programa MPEG ou Dolby Digital (AC-3).

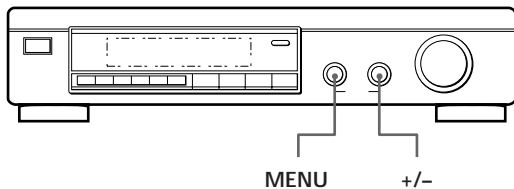
Acertos e ajustes

As operações do menu permitem-lhe personalizar vários aspectos do processador para satisfazer o seu ambiente de audição, os seus altifalantes, os seus componentes e as suas preferências pessoais. Pode-se seleccionar entre dois modos de menu (básico e de expansão) de acordo com as suas necessidades.

- O modo de menu básico (BASIC) permite-lhe efectuar ajustes gerais para os campos acústicos e regular simultaneamente os ajustes de todos os altifalantes.
- O modo do menu expandido (EXPAND) permite-lhe efectuar ajustes individuais precisos para a equalização e a frequência de corte baixo dos altifalantes frontal, central e posterior, e determinar os ajustes de omissão para as entradas digitais.

Nota

Caso comute do modo EXPAND para o modo BASIC, os ajustes efectuados no modo EXPAND permanecem conservados. Entretanto, caso se ajustem parâmetros do mesmo menu no modo BASIC, tais ajustes alteram-se correspondentemente. Por exemplo, quando se comuta para o modo básico, os controlos de tom individuais para cada altifalante (no menu EQUALIZER) são preservados. Entretanto, um simples ajuste nos controlos de tonalidade geral (no menu SURROUND) regula as equalizações de todos os altifalantes para os ajustes do altifalante frontal.



- 1 Pressione o botão MENU repetidamente para exibir um dos seguintes menus:

| | |
|-------------------|-------------------|
| Modo BASIC | Modo EXPAND |
| Menu LEVEL ADJUST | Menu LEVEL ADJUST |
| Menu SURROUND | Menu SURROUND |
| Menu SP.SETUP | Menu EQUALIZER |
| Menu CUSTOMIZE | Menu SP.SETUP |
| | Menu COSTUMIZE |

- 2 Gire o botão MENU para seleccionar o parâmetro desejado a partir do respectivo menu.
- 3 Gire o botão +/- para seleccionar o ajuste desejado. O ajuste é introduzido automaticamente.
- 4 Repita os passos de 1 a 3 para efectuar todos os ajustes necessários.

Na utilização dos controlos no telecomando

- 1 Pressione SELECT repetidamente para indicar o menu desejado.
- 2 Pressione MENU ^/∇ repetidamente para seleccionar o parâmetro desejado a partir do respectivo menu.
- 3 Pressione +/- repetidamente para seleccionar o ajuste desejado. O ajuste é introduzido automaticamente.
- 4 Repita os passos de 1 a 3 para efectuar todos os ajustes necessários.

Nota

Certos itens do menu podem não estar disponíveis para o ajuste, dependendo dos ajustes correntes e dos modos de menu. Os itens não-disponíveis aparecem obscuros quando indicados no mostrador.

Menu LEVEL ADJUST

O menu LEVEL ADJUST contém parâmetros de ajuste de nível do altifalante que lhe permitem balancear o nível de saída para cada altifalante.

- 💡 A maioria destes ajustes pode também ser ajustada directamente com o telecomando. Consulte "Ajuste do volume dos altifalantes" (página 9).

Sinal de teste

O ajuste inicial é : TEST TONE OFF

Permite-lhe activar e desactivar o sinal de teste.

- Quando o modo de menu está ajustado a BASIC, pode-se seleccionar entre "OFF" e "[] auto". "[] auto" provê a mesma actividade do sinal de teste descrita na página 8.
- Quando o modo de menu está ajustado a EXPAND, pode-se seleccionar qual altifalante irá emitir o sinal de teste: [L]: esquerda (frontal), [C]: central, [R]: direita (frontal), [SR]: direita posterior, [SL]: esquerda posterior.

Balço dos altifalantes frontais

O ajuste inicial é : FRONT L ___1___ R

Permite-lhe ajustar o balanço entre os altifalantes frontais esquerdo e direito.

- O balanço pode ser ajustado $\pm 8,0$ dB em passos de 0,5 dB.

Balço dos altifalantes posteriores

O ajuste inicial é : REAR L ___|___ R

Permite-lhe ajustar o balanço entre os altifalantes posteriores esquerdo e direito.

- O balanço pode ser ajustado $\pm 8,0$ dB em passos de 0,5 dB.

Nível dos altifalantes posteriores

O ajuste inicial é : REAR LEVEL 0 dB

Permite-lhe ajustar o nível dos altifalantes posteriores (esquerdo e direito).

- O nível pode ser ajustado em passos de 0,5 dB a partir de -20,0 dB a +10,0 dB.
- A selecção de MUTE silencia completamente o som (-) dos altifalantes posteriores. Neste caso, o som dos canais posteriores não é exteriorizado a partir dos altifalantes frontais, etc.

(continua...)

Nível do altifalante central

O ajuste inicial é : CENT .LEVEL 0 dB

Permite-lhe ajustar o nível do altifalante central.

- O nível pode ser ajustado em passos de 0,5 dB a partir de -20,0 dB a +10,0 dB.
- A selecção de MUTE silencia completamente o som (-) do altifalante central. Neste caso, o som do canal central não é exteriorizado a partir dos altifalantes frontais, etc.

Nível do altifalante de graves auxiliar

O ajuste inicial é : SUB WOOFER 0 dB

Permite-lhe ajustar o nível do altifalante de graves auxiliar.

- O nível pode ser ajustado em passos de 0,5 dB a partir de -20,0 dB a +10,0 dB.
- A selecção de MUTE silencia o som do altifalante de graves auxiliar.

Menu SURROUND

O menu SURROUND contém parâmetros que lhe permitem personalizar vários aspectos do campo perimétrico corrente. Os ajustes disponíveis neste menu estão armazenados separadamente para cada campo perimétrico. Os tipos de parâmetro variam de acordo com o modo de menu.

Nível de efeito perimétrico (somente modos de Som de Cinema Digital)

O ajuste inicial é : SURR .EFFECT 100%

Este parâmetro pode ser ajustado directamente usando-se EFFECT +/- no telecomando. Isto permite-lhe ajustar a "presença" do efeito perimétrico de som de cinema digital corrente.

- O nível de efeito pode ser ajustado a partir de 0% (sem efeitos de som de cinema digital) a 100% (150%) em passos de 5%.

Nível de mistura de Efeito de baixas frequências (LFE) (somente DISCRETE)

O ajuste inicial é : LFE MIX. 0dB

Este parâmetro permite-lhe atenuar o nível de saída do canal LFE (Efeito de baixas frequências) a partir do altifalante de graves auxiliar sem influenciar o nível de frequências graves enviadas ao altifalante de graves auxiliar a partir dos canais frontal, central ou posterior via circuito de redireccionamento de graves.

- O nível pode ser ajustado em passos de 0,5 dB a partir de -20,0 dB a 0 dB (nível de linha). 0 dB exterioriza o sinal LFE total ao nível de mistura determinado pelo engenheiro de gravação.
- A selecção de MUTE silencia o som do canal LFE a partir do altifalante de graves auxiliar. Entretanto, os sons de frequência baixa dos altifalantes frontais, central ou posteriores são exteriorizados a partir do altifalante de graves auxiliar, de acordo com os ajustes efectuados para cada altifalante na instalação dos altifalantes (página 8).

Relação de compressão da amplitude dinâmica

O ajuste inicial é : D .RANGE COMP OFF

Permite-lhe comprimir a amplitude dinâmica da pista sonora. Isto pode ser útil quando se deseja assistir a filmes em volume baixo, tarde da noite.

- OFF reproduz a pista sonora sem nenhuma compressão.
- STD reproduz a pista sonora com a amplitude dinâmica total, conforme planejado pelo engenheiro de gravação.
- 0,1 - 0,9 permite-lhe comprimir a amplitude dinâmica em passos pequenos para atingir o som desejado.
- MAX providencia uma compressão dramática da amplitude dinâmica.
- Durante a reprodução de fontes MPEG, a relação de compressão é fixa (STD 0,1 - 0,9 e MAX, todos produzem o mesmo efeito).

Controlo de tom (activado/desactivado) •Somente no modo básico•

O ajuste inicial é : TONE CONTROL OFF

Permite-lhe activar (ON) ou desactivar (OFF) os ajustes de controlo de tom BASS e TREBLE. Pode-se utilizar este ajuste para comparar o som dos ajustes BASS e TREBLE com aquele do sinal original.

- OFF nivela as características de frequência de todos os canais simultaneamente. Caso ajuste os níveis de grave ou agudo após ter ajustado o controlo de tonalidade a OFF, a qualidade sonora se altera a partir da posição nivelada (0 dB).
- ON restaura as características de frequência aos valores existentes antes do controlo de tom ter sido ajustado a OFF.

Ajuste do nível de graves •Somente no modo básico•

O ajuste inicial é : BASS 0 dB

Permite-lhe ajustar o nível de frequências de graves dos canais frontais (esquerdo e direito), central e posteriores (esquerdo e direito) simultaneamente. Para ajustar o canal LFE, consulte "Nível de mistura da Extensão de Frequência Baixa (LFE)".

- O nível pode ser ajustado ± 10 dB em passos de 1 dB.
- O ajuste "0 dB" representa o nível de linha (0 dB).

Ajuste do nível de agudos •Somente no modo básico•

O ajuste inicial é : TREBLE 0 dB

Permite-lhe ajustar o nível de frequência de agudos dos canais frontais (esquerdo e direito), central e posteriores (esquerdo e direito) simultaneamente.

- O nível pode ser ajustado ± 10 dB em passos de 1 dB.
- O ajuste "0dB" representa o nível de linha (0 dB).

Menu EQUALIZER • Somente modo de expansão •

No modo EXPAND, os ajustes neste menu substituem os ajustes de controlo de tonalidade do menu SURROUND. Este menu contém parâmetros que possibilitam o ajuste da tonalidade dos altifalantes frontais (esquerdo e direito), central e posteriores (esquerdo e direito) individualmente.

Equalizador (ligado/desligado)

O ajuste inicial é : EQUALIZER ON

Permite-lhe ligar (ON) ou desligar (OFF) os ajustamentos do equalizador. Pode-se utilizar este ajuste para comparar o som dos ajustes de equalização com aquele do sinal original.

- OFF achata as características de frequência de todos os canais simultaneamente. Caso ajuste os níveis dos graves ou agudos após ajustar o equalizador a OFF, a qualidade sonora altera-se da posição plana (0 dB).
- ON restaura as características de frequência aos valores presentes antes de se ajustar o equalizador a OFF.

Ajustamento de graves do altifalante frontal

Nível : FRONT BASS 0dB

Frequência : FRONT BASS 250Hz

Utilize o botão -/+ para ajustar o nível, e então gire o botão MENU para deslocar e seleccionar a frequência (Hz) e use o botão +/- para ajustar a frequência. Repita até atingir o som desejado.

- O nível pode ser ajustado ± 10 dB em passos de 0,5 dB.

Ajustamento de agudos do altifalante frontal

Nível : FRONT TREBLE 0dB

Frequência : FRONT TREBLE 2.5kHz

Ajuste como descrito em "Ajustamento de graves do altifalante frontal".

- O nível pode ser ajustado ± 10 dB em passos de 0,5 dB.

Ajustamento de graves do altifalante frontal

Nível : CENTER BASS 0dB

Frequência : CENTER BASS 250Hz

Ajuste como descrito em "Ajustamento de graves do altifalante frontal".

- O nível pode ser ajustado ± 10 dB em passos de 0,5 dB.

Ajustamento de agudos do altifalante central

Nível : CENTER TREBLE 0dB

Frequência : CENTER TREBLE 2.5kHz

Ajuste como descrito em "Ajustamento de graves do altifalante frontal".

- O nível pode ser ajustado ± 10 dB em passos de 0,5 dB.

Ajustamento de graves do altifalante posterior

Nível : REAR BASS 0dB

Frequência : REAR BASS 250Hz

Ajuste como descrito em "Ajustamento de graves do altifalante frontal".

- O nível pode ser ajustado ± 10 dB em passos de 0,5 dB.

Ajustamento de agudos do altifalante posterior

Nível : REAR TREBLE 0dB

Frequência : REAR TREBLE 2.5kHz

Ajuste como descrito em "Ajustamento de graves do altifalante frontal".

- O nível pode ser ajustado ± 10 dB em passos de 0,5 dB.

Menu CUSTOMIZE

O menu CUSTOMIZE possibilita-lhe personalizar vários aspectos da operação deste aparelho. Os parâmetros disponíveis neste menu variam conforme o modo do menu (BASIC/EXPAND).

Silenciamento

O ajuste inicial é : MUTING OFF

Permite-lhe silenciar o som (tal como a tecla MUTING do telecomando).

- ON silencia o som de todos os altifalantes.
- OFF restaura o som ao volume original.

Controlo da iluminação do visor

O ajuste inicial é : DISP. DIMMER 100%

Permite-lhe ajustar a intensidade do brilho do mostrador.

Pode ser ajustado em passos de 1%, a partir de 25 até 100%.

Unidade de distância • Somente modo de expansão •

O ajuste inicial é : DIST.UNIT [meter]

Permite-lhe seleccionar metros ou pés como unidade de medida para ajuste de distâncias. 1 pé corresponde a 1 m de diferença.

Memória do equalizador • Somente modo de expansão •

O ajuste inicial é : EQ MEMORY [ON]

- ON permite-lhe ajustar o equalizador independentemente para cada modo perimétrico.
- OFF permite-lhe utilizar fixamente o equalizador em um ajuste para todos os modos perimétricos.

Cancelamento de memória

O ajuste inicial é : MEMORY CLEAR [NO]

Para cancelar a memória, seleccione [YES] e aguarde alguns segundos. "Are you sure?" é exibida. Caso seleccione [YES] novamente e aguarde alguns segundos, o aparelho cancelará todos os parâmetros e reajusta-los-á aos pré-ajustes de fábrica. "MEMORY CLEARED!" será exibida como confirmação.

(continua...)

Seleção do modo do menu

O ajuste inicial é : MENU MODE [BASIC]

Permite-lhe escolher entre o modo do menu básico e de expansão:

- O modo do menu básico (BASIC) permite-lhe efectuar ajustamentos gerais dos campos acústicos e ajustar a tonalidade de todos os altifalantes simultaneamente.
- O modo do menu expandido (EXPAND) permite-lhe criar ajustamentos individuais precisos para a equalização e a frequência de corte baixo dos altifalantes frontais, central e posteriores, e ainda determinar os ajustes de omissão para as entradas digitais.

Nota

Caso comute do modo EXPAND ao modo BASIC, os ajustamentos feitos no modo EXPAND são retidos. Entretanto, caso ajuste parâmetros do mesmo menu no modo BASIC, tais ajustes mudam em conformidade. Por exemplo, quando se comuta ao modo básico, os controlos de tonalidade individual para cada altifalante (no menu EQUALIZER) são preservados. Entretanto, um ajustamento único para os controlos de tonalidade geral (no menu SURROUND) regula as equalizações de todos os altifalantes para os ajustes do altifalante frontal.



• Mesmo que se planeje fazer ajustamentos individuais usando-se o menu EQUALIZER, Recomenda-se iniciar usando-se os controlos de tonalidade no modo do menu básico e então efectuar ajustes finos posteriores mediante a comutação do modo de expansão e a utilização do equalizador.

Ajustamento de compensação da entrada digital

•Somente modo de expansão•

O ajuste inicial é : INPUT TRIM 0dB

Componentes diferentes frequentemente possuem níveis de linha diferente. Em tais casos, pode-se ajustar o nível de linha em cada entrada digital. Os ajustes são armazenados independentemente para cada entrada.

•Somente modo de expansão•

O ajuste inicial é : DECODE MODE [AUTO]

Permite-lhe especificar o tipo de sinal a ser introduzido na tomada de entrada digital corrente (AC-3 RF ou DIGITAL 1-4). Os ajustes são armazenados independentemente para cada entrada.

- AUTO: Este aparelho automaticamente comuta entre MPEG, Dolby Digital (AC-3), e PCM.
- AC-3: Todos os sinais de entrada são tratados como sinais Dolby Digital (AC-3). Caso um sinal MPEG ou PCM seja introduzido em uma tomada ajustada a AC-3, nenhum som será escutado.
- MPEG: Todos os sinais de entrada são tratados como sinais MPEG. Caso um sinal Dolby Digital (AC-3) ou PCM seja introduzido em uma tomada ajustada a MPEG, nenhum som será escutado.

Menu SP. SETUP

O menu de instalação dos altifalantes contém parâmetros que lhe permitem ajustar o tipo e o porte dos altifalantes do seu sistema. Esta informação é essencial para a produção do som perimétrico realístico. Os ajustes disponíveis neste menu podem também ser acessados pelo pressionamento de SET UP (consulte “Instalação de Altifalantes” na página 8 quanto a detalhes).

Porte do altifalante frontal

O ajuste inicial é : FRONT SP [LARGE]

Consulte a página 8.

Porte do altifalante central

O ajuste inicial é : CENTER SP [LARGE]

Consulte a página 8.

Porte do altifalante posterior

O ajuste inicial é : REAR SP [LARGE]

Consulte a página 8.

Posição do altifalante posterior

O ajuste inicial é : REAR SP [SIDE]

Consulte a página 8.

Seleção do altifalante de graves auxiliar

O ajuste inicial é : SUB WOOFER [YES]

Consulte a página 8.

Distância do altifalante frontal

O ajuste inicial é : FRONT 5.0 meter

Consulte a página 8.

Distância do altifalante central

O ajuste inicial é : CENTER 5.0 meter

Consulte a página 8.

Distância do altifalante posterior

O ajuste inicial é : REAR 3.5 meter

Consulte a página 8.

Frequência de saída do altifalante frontal

•Somente modo de expansão•

O ajuste inicial é : FRONT SP > 120 Hz

Este ajuste permite-lhe seleccionar a frequência de saída para o filtro de corte baixo dos altifalantes frontais (esquerdo e direito).

- As frequências de graves menores que a frequência de corte são divididas pelo circuito de redireccionamento de graves MPEG/Dolby Digital (AC-3) e emanadas pelo altifalante de graves auxiliar ou outros altifalantes "LARGE". A fim de evitar limitações, as frequências abaixo da frequência de corte não são exteriorizadas pelos altifalantes frontais.

Frequência de saída do altifalante central

•Somente modo de expansão•

O ajuste inicial é : CENTER SP > 120 Hz

Este ajuste permite-lhe seleccionar a frequência de saída para o filtro de corte baixo do altifalante central.

- As frequências de graves menores que a frequência de corte são divididas pelo circuito de redireccionamento de graves MPEG/Dolby Digital (AC-3) e emanados pelo altifalante de graves auxiliar ou outros altifalantes "LARGE". A fim de evitar limitações, as frequências abaixo da frequência de corte não são exteriorizadas pelo altifalante central.

Frequência de saída do altifalante posterior

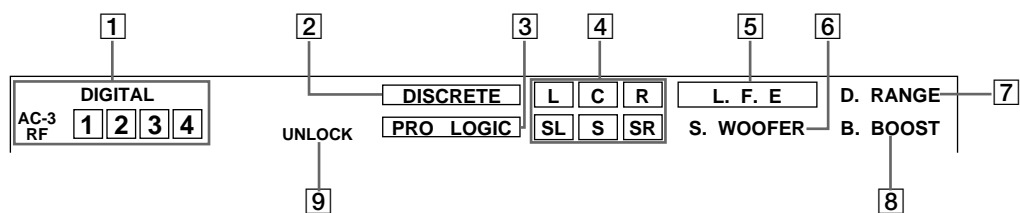
•Somente modo de expansão•

O ajuste inicial é : REAR SP > 120 Hz

Este ajuste permite-lhe seleccionar a frequência de saída para o filtro de corte baixo dos altifalantes posteriores (esquerdo e direito).

- As frequências de graves menores que a frequência de corte são divididas pelo circuito de redireccionamento de graves MPEG/Dolby Digital (AC-3) e emanados pelo altifalante de graves auxiliar ou outros altifalantes "LARGE". A fim de evitar limitações, as frequências abaixo da frequência de corte não são exteriorizadas pelos altifalantes posteriores.

Compreensão do mostrador



- 1** Indicadores do selector de entrada
O terminal de entrada seleccionado pelos selectores INPUT no painel frontal acende-se.
- 2** DISCRETE
Acende-se quando este aparelho descodifica sinais gravados em formato MPEG ou Dolby Digital (AC-3) e exterioriza o número pretendido de sinais que contém tais sinais. Não se acende quando o sinal de entrada é estéreo de 2 canais ou quando o sinal de entrada é misturado porque a função perimétrica está desligada.
- 3** PRO LOGIC
Acende-se quando este aparelho aplica processamento Pro Logic em sinais de 2 canais para exteriorizar os sinais do canal central e perimétrico.
- 4** Indicadores do canal de saída
Acendem-se para indicar qual o canal que está a dar saída.
L: Frontal Esquerdo R: Frontal Direito
C: Central (monofónico)
SL: Posterior Perimétrico Esquerdo
SR: Posterior Perimétrico Direito
S: Posterior Perimétrico (monofónico ou os componentes posteriores obtidos por processamento Pro Logic)
- Consulte a página a seguir quanto aos detalhes sobre a indicação do canal.
- Quando MPEG/DOLBY DIGITAL é pressionada, o número de canais no sinal em introdução é exibido no mostrador (Exemplo: DOLBY DIGITAL [3/2]).
Veja a página a seguir quanto aos pormenores.
- 5** L.F.E
As letras “L.F.E” acendem-se quando o disco em reprodução contém o canal LFE (Efeito de Baixas Frequências). Quando o som do sinal do canal LFE está sendo reproduzido, o quadro em torno das letras também se acende. Dado que o sinal LFE não é gravado em toda parte do sinal de entrada, o quadro pode ligar-se e desligar-se repetidamente durante a reprodução.
- 6** S.WOOFER
Acende-se quando a selecção do altifalante de graves auxiliar é ajustado a “YES”, “UNLOCK” não está acesa e este aparelho detecta que o disco em reprodução não contém o sinal do canal LFE. Enquanto tal indicador estiver aceso, este aparelho criará um sinal de altifalante de graves auxiliar baseado nos componentes de baixa frequência dos canais frontais.
- 7** D.RANGE
Acende-se quando o parâmetro [D.RANGE COMP] no menu não está ajustado a OFF e um sinal gravado no formato MPEG ou Dolby Digital (AC-3) é introduzido neste aparelho. Consulte a página 16 quanto aos pormenores sobre este ajuste.
- 8** B.BOOST
Acende-se quando a tecla BASS BOOST no painel frontal é pressionada para intensificar as baixas frequências.
- 9** UNLOCK
Acende-se quando este aparelho não é capaz de reproduzir um sinal digital. Por exemplo, este indicador pode acender-se, se o componente conjugado não emanar sinal, o disco em reprodução não contiver o sinal ou não houver componente de reprodução conjugado (etc.).

Indicação do canal de saída

Este aparelho mostra de quais canais os sinais estão sendo exteriorizados. A indicação varia conforme o número de altifalantes ligados. Veja “Instalação de Altifalantes e Indicação do Canal de Saída” na tabela a seguir quanto a detalhes.

Este aparelho pode também exibir o número de canais no sinal de entrada. Para obter tal indicação, carregue em MPEG/DOLBY DIGITAL de forma a exibir “MPEG [3/2]”, etc. e consulte abaixo quanto aos pormenores. Embora esta tabela mostre quase todas as configurações disponíveis possíveis dos sinais MPEG e Dolby Digital (AC-3), somente aquelas marcadas com “☆” são usadas na maioria dos casos.

| Formato de Gravação (Frontal/Posterior) | Indicação do Canal de Entrada | Instalação de Altifalantes e Indicação do Canal de Saída | | | |
|-----------------------------------------|-------------------------------------------|---------------------------------------------------------------------------------------------------------------------------------------------------------------------------------------|---------------------------------------------------------------------------------------------------------------------------------------------------------------------------------------|----------------------------------------------------------------------------------------------------------------------------------------------------------------------------|----------------------------------------------------------------------------------------------------------------------------------------------------------------------------|
| | | Todos os altifalantes presentes | Altifalantes posteriores ausentes | Altifalante central ausente | Altifalantes posteriores/central ausentes |
| 1/0 | MPEG AUDIO [1/0] DOLBY DIGITAL [1/0] | DISCRETE <input checked="" type="checkbox"/> C | DISCRETE <input checked="" type="checkbox"/> C | DISCRETE <input type="checkbox"/> C <input type="checkbox"/> | DISCRETE <input type="checkbox"/> C <input type="checkbox"/> |
| 2/0* | MPEG AUDIO [2/0] DOLBY DIGITAL [2/0] | <input type="checkbox"/> L <input type="checkbox"/> R | <input type="checkbox"/> L <input type="checkbox"/> R | <input type="checkbox"/> L <input type="checkbox"/> R | <input type="checkbox"/> L <input type="checkbox"/> R |
| 3/0 | MPEG AUDIO [3/0] DOLBY DIGITAL [3/0] | DISCRETE <input checked="" type="checkbox"/> L <input checked="" type="checkbox"/> C <input checked="" type="checkbox"/> R | DISCRETE <input checked="" type="checkbox"/> L <input checked="" type="checkbox"/> C <input checked="" type="checkbox"/> R | DISCRETE <input checked="" type="checkbox"/> L <input type="checkbox"/> C <input checked="" type="checkbox"/> R | DISCRETE <input checked="" type="checkbox"/> L <input type="checkbox"/> C <input checked="" type="checkbox"/> R |
| 2/1 | MPEG AUDIO [2/1] DOLBY DIGITAL [2/1] | DISCRETE <input checked="" type="checkbox"/> L <input type="checkbox"/> R <input type="checkbox"/> S | DISCRETE <input checked="" type="checkbox"/> L <input type="checkbox"/> R <input type="checkbox"/> S | DISCRETE <input checked="" type="checkbox"/> L <input type="checkbox"/> R <input type="checkbox"/> S | DISCRETE <input checked="" type="checkbox"/> L <input type="checkbox"/> R <input type="checkbox"/> S |
| 3/1 | MPEG AUDIO [3/1] DOLBY DIGITAL [3/1] | DISCRETE <input checked="" type="checkbox"/> L <input checked="" type="checkbox"/> C <input checked="" type="checkbox"/> R <input type="checkbox"/> S | DISCRETE <input checked="" type="checkbox"/> L <input checked="" type="checkbox"/> C <input checked="" type="checkbox"/> R <input type="checkbox"/> S | DISCRETE <input checked="" type="checkbox"/> L <input type="checkbox"/> C <input checked="" type="checkbox"/> R <input type="checkbox"/> S | DISCRETE <input checked="" type="checkbox"/> L <input type="checkbox"/> C <input checked="" type="checkbox"/> R <input type="checkbox"/> S |
| 2/2 | MPEG AUDIO [2/2] DOLBY DIGITAL [2/2] | DISCRETE <input checked="" type="checkbox"/> L <input type="checkbox"/> R <input type="checkbox"/> SL <input type="checkbox"/> SR | DISCRETE <input checked="" type="checkbox"/> L <input type="checkbox"/> R <input type="checkbox"/> SL <input type="checkbox"/> SR | DISCRETE <input checked="" type="checkbox"/> L <input type="checkbox"/> R <input type="checkbox"/> SL <input type="checkbox"/> SR | DISCRETE <input checked="" type="checkbox"/> L <input type="checkbox"/> R <input type="checkbox"/> SL <input type="checkbox"/> SR |
| 3/2 | ☆MPEG AUDIO [3/2] ☆DOLBY DIGITAL [3/2] | DISCRETE <input checked="" type="checkbox"/> L <input checked="" type="checkbox"/> C <input checked="" type="checkbox"/> R <input type="checkbox"/> SL <input type="checkbox"/> SR | DISCRETE <input checked="" type="checkbox"/> L <input checked="" type="checkbox"/> C <input checked="" type="checkbox"/> R <input type="checkbox"/> SL <input type="checkbox"/> SR | DISCRETE <input checked="" type="checkbox"/> L <input type="checkbox"/> C <input checked="" type="checkbox"/> R <input type="checkbox"/> SL <input type="checkbox"/> SR | DISCRETE <input checked="" type="checkbox"/> L <input type="checkbox"/> C <input checked="" type="checkbox"/> R <input type="checkbox"/> SL <input type="checkbox"/> SR |
| 2/0** | ☆MPEG AUDIO [2/0] ☆DOLBY DIGITAL [2/0] | <input type="checkbox"/> L <input type="checkbox"/> C <input type="checkbox"/> R PRO LOGIC <input type="checkbox"/> S | <input type="checkbox"/> L <input type="checkbox"/> C <input type="checkbox"/> R PRO LOGIC <input type="checkbox"/> S | <input type="checkbox"/> L <input type="checkbox"/> C <input type="checkbox"/> R PRO LOGIC <input type="checkbox"/> S | <input type="checkbox"/> L <input type="checkbox"/> C <input type="checkbox"/> R PRO LOGIC <input type="checkbox"/> S |
| | ☆DOLBY PROLOGIC | <input type="checkbox"/> L <input type="checkbox"/> C <input type="checkbox"/> R PRO LOGIC <input type="checkbox"/> S | <input type="checkbox"/> L <input type="checkbox"/> C <input type="checkbox"/> R PRO LOGIC <input type="checkbox"/> S | <input type="checkbox"/> L <input type="checkbox"/> C <input type="checkbox"/> R PRO LOGIC <input type="checkbox"/> S | <input type="checkbox"/> L <input type="checkbox"/> C <input type="checkbox"/> R PRO LOGIC <input type="checkbox"/> S |
| | ☆STEREO PCM**(kHz) | <input type="checkbox"/> L <input type="checkbox"/> R | <input type="checkbox"/> L <input type="checkbox"/> R | <input type="checkbox"/> L <input type="checkbox"/> R | <input type="checkbox"/> L <input type="checkbox"/> R |

* Sem Pro Logic

** Quando Pro Logic está ajustado em ON ou o efeito perimétrico do tipo Teatro (CINEMA STUDIO A-C, etc.) está activado.

Verificação de problemas

Caso experimente qualquer das seguintes dificuldades durante o uso do seu processador, utilize este guia de verificação de problemas para auxiliar-lhe a resolver o problema. Se alguma das dificuldades persistir, consulte o seu agente Sony mais próximo.

Ausência total de som ou presença somente de som de nível muito baixo.

- ➔ Certifique-se de que os altifalantes e os componentes estejam firmemente ligados.
- ➔ Pressione MUTING, caso «MUTING ON» apareça no mostrador.
- ➔ Certifique-se de seleccionar o componente correcto no processador.
- ➔ Certifique-se de seleccionar a entrada correcta no seu amplificador de multicanais.
- ➔ Quando o modo de menu estiver ajustado a EXPAND, certifique-se de que o ajuste do modo de entrada digital no menu CUSTOMIZE esteja ajustado correctamente (consulte a página 17).

O som dos altifalantes esquerdo e direito estão desequilibrados ou invertidos.

- ➔ Assegure-se de que os altifalantes e os componentes estejam ligados correcta e firmemente.

Presença de zumbidos ou outros ruídos intensos.

- ➔ Certifique-se de que os altifalantes e os componentes estejam firmemente ligados.
- ➔ Certifique-se de que os cabos de ligação estejam distantes de transformadores ou motores, e pelo menos a 3 metros de distância de televisores ou luzes fluorescentes.
- ➔ Posicione o seu televisor distante de componentes de áudio.
- ➔ As fichas e as tomadas estão sujas. Limpe-as com um pano levemente humedecido com álcool.

Ausência total de som ou presença de somente um som de nível muito baixo dos altifalantes posteriores.

- ➔ Certifique-se de que o parâmetro de dimensão do altifalante posterior no menu SP.SETUP esteja ajustado a pequeno ou grande porte (consulte a página 8).
- ➔ Ajuste o volume do altifalante apropriadamente (consulte a página 9).
- ➔ Certifique-se de ter ligado o modo perimétrico (consulte a página 12).

Nenhum som é ouvido do altifalante central.

- ➔ Certifique-se de que o parâmetro de dimensão do altifalante central no menu SP.SETUP esteja ajustado a pequeno ou grande porte (consulte a página 8).
- ➔ Ajuste o volume do altifalante apropriadamente (consulte a página 9).

Não é possível obter o efeito perimétrico.

- ➔ Certifique-se de ter ligado o modo perimétrico (consulte a página 12).
- ➔ Pressione EFFECT + no telecomando quando utilizar um modo de som de cinema digital para aumentar a presença do efeito perimétrico (consulte a página 14).

Ausência total de imagem ou presença de apenas uma imagem pouco nítida no écran do televisor.

- ➔ Selecione a função apropriada no seu amplificador de multicanais.
- ➔ Coloque o seu televisor distante de componentes de áudio.

A gravação digital não é possível.

- ➔ Certifique-se de que os componentes foram ligados correctamente.
- ➔ As fontes MPEG ou Dolby Digital (AC-3) não podem ser digitalmente gravadas em um DAT ou MD.

O telecomando não funciona.

- ➔ Aponte o telecomando ao sensor remoto [R] no processador.
- ➔ Remova os obstáculos no trajecto do telecomando e do processador.
- ➔ Substitua ambas as pilhas no telecomando por outras novas, caso estejam fracas.
- ➔ Certifique-se de que a função BYPASS esteja ajustada a OFF.

“Turn POWER SW off!” aparece no mostrador e nenhum som pode ser escutado.

- ➔ A temperatura dentro do aparelho pode ter subido acima dos níveis de funcionamento normal. Caso o aparelho esteja instalado em uma estante, remova-o da mesma, e então tente ligar de volta a alimentação. Caso isto não solucione o problema, desligue a alimentação e consulte o seu agente Sony mais próximo.

Especificações

| | |
|-----------------------------------------------------------------|--------------------------------------------------------------------------------------------------|
| Entradas digitais | Óptica: 3 Coaxial: 1 AC-3 RF: 1 |
| Saídas digitais | Óptica: 1 |
| Entradas secundárias | FRONT (L,R), REAR (L,R), CENTER, WOOFER |
| Saídas Analógicas | FRONT (L,R), REAR (L,R), CENTER, WOOFER: Nível de saída: 1V Impedância de saída: 1 kilohms |
| BASS BOOST | +5 dB a 60 Hz |
| Alimentação requerida | 220 - 230 V CA, 50/60 Hz |
| Consumo | 50 W |
| Dimensões | 430 x 98 x 355,5 mm |
| Peso (Aprox.) | 6,5 kg (14 lb 5 oz) |
| Acessórios fornecidos | Consulte a página 4. |
| Design e especificações sujeitos a alterações sem aviso prévio. | |

Glossário

Modo Central

Um ajuste usado pelo modo perimétrico Dolby Pro Logic Surround para determinar o tipo de processamento de sinal requerido para produzir o efeito perimétrico com os altifalantes ligados. O modo central é determinado automaticamente de acordo com o ajuste dos parâmetros de dimensão dos altifalantes no menu SP. SETUP. Este circuito Dolby Digital (AC-3) do processador fornece uma gama mais versátil de ajustes de altifalante que o ajuste de modo central Dolby Pro Logic padrão. Para sua referência, a tabela seguinte mostra a relação entre os parâmetros de dimensão de altifalantes Dolby Digital (AC-3) e o modo central Dolby Pro Logic.

FS = Porte do altifalante frontal
CS = Porte do altifalante central
RS = Porte do altifalante posterior
C.Mode = Modo central Dolby Pro Logic

| | FS | CS | RS | C.Mode |
|-------|-------|-------|---------|--------|
| SMALL | SMALL | SMALL | SMALL | — |
| LARGE | SMALL | SMALL | SMALL | NORMAL |
| SMALL | SMALL | LARGE | — | — |
| LARGE | SMALL | LARGE | NORMAL | — |
| LARGE | LARGE | SMALL | WIDE | — |
| LARGE | LARGE | LARGE | WIDE | — |
| SMALL | LARGE | SMALL | — | — |
| SMALL | LARGE | LARGE | — | — |
| SMALL | NO | SMALL | — | — |
| LARGE | NO | SMALL | PHANTOM | — |
| LARGE | NO | LARGE | PHANTOM | — |
| SMALL | NO | LARGE | — | — |
| LARGE | SMALL | NO | — | — |
| LARGE | LARGE | NO | 3CH | — |
| SMALL | SMALL | NO | — | — |
| SMALL | LARGE | NO | — | — |

Dolby Digital (AC-3)

Este é um novo sistema perimétrico digital proposto para reproduzir Dolby SR-D (o sistema acústico tridimensional desenvolvido para uso em salas de cinema) na sua morada. Esta tecnologia permite-lhe desfrutar a pista sonora de canal 5.1 total, planejada por produtores de filmes, no conforto da sua morada.

MPEG AUDIO

Sistema de codificação internacional normalizado para compressão dos sinais digitais de audio, autorizado pela ISO/IEC. MPEG 1 suporta um máximo de 2 canais de estéreo. O MPEG 2, utilizado nos DVDs, suporta o canal 7.1 do modo surround. Efectua a compatibilidade com sistemas anteriores - pode reproduzir a faixa de som MPEG 2 com um leitor que suporte MPEG 1.

Digital Cinema Sound

É a aplicação da tecnologia de processamento do sinal digital Sony para deslocar o som da posição real do altifalante e simular a informação de direccionamento do som produzida por vários altifalantes posicionados em locais ao redor ou atrás da posição de audição.

O número e o ângulo dos altifalantes simulados (virtuais) foram desenvolvidos para simular o som da disposição real do sistema de altifalantes nas salas de edição da Sony Pictures Entertainment, Hollywood. Tais modos acústicos possibilitam-lhe desfrutar de uma reprodução fidedigna do ambiente acústico planejado pelos criadores de filmes, no conforto da sua morada.

Efeito perimétrico Dolby Pro Logic Surround

Sistema de descodificação de som Dolby Surround padronizado nos programas de TV e filmes.

Comparado com o sistema Dolby Surround anterior, o Dolby Pro Logic Surround aprimora a imagem virtual do som mediante a utilização de quatro canais independentes: para efeito de áudio fora do ecrã, para diálogos no ecrã, para efeitos panorâmicos esquerda-direita e para músicas. Tais canais manipulam o som a ser escutado e intensificam a acção desenrolada na cena. Para tirar vantagem de Dolby Pro Logic, requer-se ao menos um par de colunas posteriores e/ou uma coluna central. É necessário, ainda, seleccionar o modo central apropriado para desfrutar do efeito total.

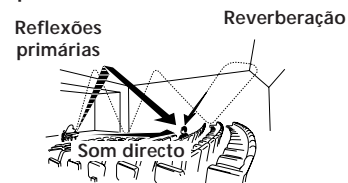
Dolby Surround

Sistema de codificação e descodificação do som Dolby Surround para uso do consumidor. Dolby Surround descodifica os canais extra das pistas de áudio codificadas com Dolby Surround nos filmes de vídeo e programas de TV, produzindo efeitos sonoros e ecos que tornam a acção no ecrã mais envolventes.

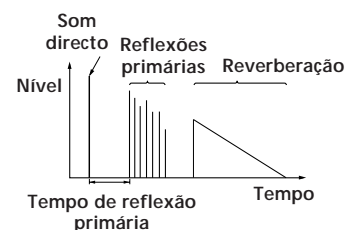
Som perimétrico

Som composto de três elementos: som directo, som primariamente reflectido (reflexão primária) e som reverberante (reverberação). A acústica do recinto afecta a forma de audição destes três elementos do som. Tais elementos do som são combinados de tal maneira que se pode obter a sensação exacta produzida pelo porte e tipo de uma sala de concertos.

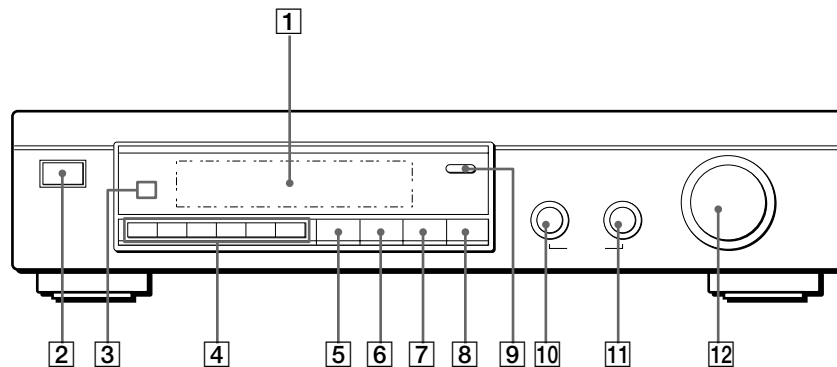
Tipos de som



Transição do som das colunas posteriores

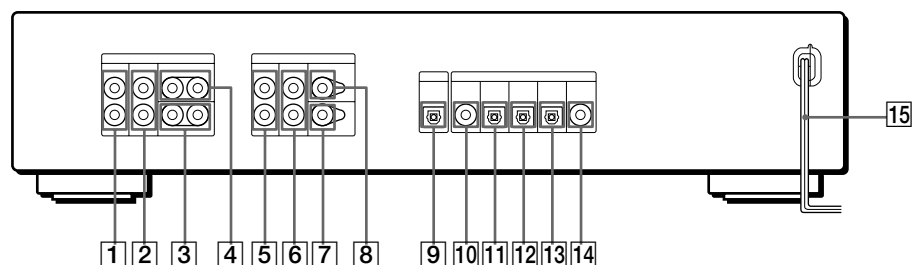


Descrição do Painel Frontal



- | | | | | | |
|---|-----------------------------|---|--------------------------------------------------|----|---------------------------|
| 1 | Visor | 5 | BASS BOOST de reforço dos graves | 9 | SET UP de instalação |
| 2 | POWER de alimentação | 6 | MPEG/DOLBY DIGITAL do formato MPEG/Dolby Digital | 10 | MENU |
| 3 | Sensor remoto (central) | 7 | MODE de modo | 11 | +/- de aumento/diminuição |
| 4 | Selectores INPUT de entrada | 8 | OFF de desligado | 12 | MASTER VOLUME |

Descrição do Painel Posterior



- | | | | | | |
|---|---------------------------------------------------------|---|----------------------------------------------------------------------------|----|------------------------------------------------|
| 1 | FRONT L e R OUTPUT de saída frontal esquerda e direita | 5 | FRONT L e R BYPASS INPUT de entrada secundária frontal esquerda e direita | 9 | DIGITAL OUTPUT de saída digital (óptica) |
| 2 | REAR L e R OUTPUT de saída posterior esquerda e direita | 6 | REAR L e R BYPASS INPUT de entrada secundária posterior esquerda e direita | 10 | DIGITAL INPUT 4 de entrada digital 4 (coaxial) |
| 3 | WOOFER OUTPUT(s) de saída(s) do altifalante de graves | 7 | WOOFER BYPASS INPUT de entrada secundária do altifalante de graves | 11 | DIGITAL INPUT 3 de entrada digital 3 (coaxial) |
| 4 | CENTER OUTPUT(s) de saída(s) central(is) | 8 | CENTER BYPASS INPUT de entrada secundária central | 12 | DIGITAL INPUT 2 de entrada digital 2 (coaxial) |
| | | | | 13 | DIGITAL INPUT 1 de entrada digital 1 (óptica) |
| | | | | 14 | AC-3 RF INPUT de entrada AC-3 RF |
| | | | | 15 | Cabo de alimentação CA |

Índice remissivo

A, B

- Ajuste
 - do nível de efeito 14
 - do volume 11
 - do volume de altifalante 9
- Altifalante central
 - distância 7, 9
 - frequência de corte 9, 19
 - localização 7
 - modo (porte) 8
 - nível do volume 9
- Altifalante de graves auxiliar
 - ligações 4, 5, 6
 - modo 9, 16
 - nível 16
- Altifalantes
 - distância 7, 9
 - frequência de corte 9, 19
 - instalação 8
 - localização 7
 - modo (porte) 8
 - nível do volume 9
- Altifalantes frontais
 - balanço 9
 - distância 7, 9
 - frequência de corte 9, 19
 - localização 7
 - modo (porte) 8
- Altifalantes posteriores
 - balanço 9
 - distância 7, 9
 - frequência de corte 9, 19
 - localização 7
 - modo (porte) 8
 - nível do volume 9

C

- Controlos de tonalidade 16

D, E, F

- Desempacotamento 4
- Dolby Digital (AC-3) 23
- Dolby Pro Logic Surround 23

G, H, I, J, K

- Gravação
 - áudio digital 14

L

- Ligação. Veja Ligações
- Ligações 4
- Ligações de componentes de áudio 4
- Ligações de componentes digitais 6

M, N

- Menu CUSTOMIZE 17
- Menu EQUALIZER 17
- Menu LEVEL ADJUST 15
- Menu SP. SETUP 18
- Menu SURROUND 16
- Modo do menu básico 15, 18
- Modo do menu de expansão 15, 18
- MPEG 23

O

- Operações do menu 15

P, Q, R

- Painel frontal 24
- Painel traseiro 24
- Procedimento de instalação 8

S, T, U

- Seleção da fonte de programa 11
- Seleção de uma fonte de programa com o telecomando 11
- Sinal de teste 9, 15
- Som de Cinema Digital 13
- Som perimétrico Dolby Surround 23

V, W, X, Y, Z

- Verificação de problemas 22

Free Manuals Download Website

<http://myh66.com>

<http://usermanuals.us>

<http://www.somanuals.com>

<http://www.4manuals.cc>

<http://www.manual-lib.com>

<http://www.404manual.com>

<http://www.luxmanual.com>

<http://aubethermostatmanual.com>

Golf course search by state

<http://golfingnear.com>

Email search by domain

<http://emailbydomain.com>

Auto manuals search

<http://auto.somanuals.com>

TV manuals search

<http://tv.somanuals.com>