

SONY

DDU1632

DVD-ROM Drive Unit
DVD-ROM 驅動器
DVD-ROM

User's Guide

Guía del usuario

使用手冊 (繁體)

()

Version 1.0

©2005 Sony Corporation





Record these numbers in
your sales representative

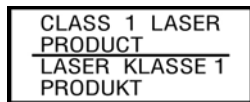
Approved in this document

Apparatus to rain or
servicing to qualified



discs with





LUOKAN 1 LASERLAITE
 KLASS 1 LASER APPARAT
 1

This DVD-ROM Drive Unit is classified as a CLASS 1 LASER PRODUCT. The CLASS 1 LASER PRODUCT label is located on the Top of the drive.

Bei diesem DVD-ROM-Laufwerk handelt es sich um ein Laser-Produkt der Klasse 1. Ein entsprechender Aufkleber mit der Beschriftung LASER KLASSE 1 PRODUKT befindet sich auf der Oberseite des Geräts.

DVD-ROM 1

1

INFORMATION

You are cautioned that any changes or modifications not expressly approved in this manual could void your warranty covering this equipment.

FCC Compliance

This equipment has been tested and found to comply with the limits for a Class B digital device, pursuant to Part 15 of the FCC Rules. These limits are designed to provide reasonable protection against harmful interference in a residential installation. This equipment generates, uses, and can radiate radio frequency energy and, if not installed or used in accordance with the instructions, may cause harmful interference to radio communications. However, there is no guarantee that interference will not occur in a particular installation. If this equipment does cause harmful interference to radio or television reception, which can be determined by turning the equipment off and on, the user is encouraged to try to correct the interference by one or more of the following measures:

- Reorient or relocate the receiving antenna
- Increase the separation between the equipment and receiver
- Connect the equipment into an outlet on a circuit different from that to which the receiver is connected
- Consult the dealer or an experienced radio/TV technician for help.

Note:

If you have any questions about this product, you may call the telephone number listed in the "Product and Support Information" section. The telephone number below is not for customer service, but for official purpose only.

Declaration of Conformity	
Trade Name:	SONY
Model No.:	DDU1632
Responsible Party:	Sony Electronics Inc.
Address:	16450 W. Bernardo Dr., San Diego, CA 92127 U.S.A.
Telephone No.:	858-942-2230
This device complies with Part 15 of the FCC Rules. Operation is subject to the following two conditions:	
(1) This device may not cause harmful interference, and	
(2) This device must accept any interference received, including interference that may cause undesired operation.	

CE Sicherheitsbestimmungen:

Diese Ausrüstung erfüllt die Europäischen EMC-Bestimmungen für die Verwendung in folgender/folgenden Umgebung (en):

- Wohngebieten
- Gewerbegebiete
- Leichtindustrialgebiete

(Diese Ausrüstung erfüllt die Bestimmungen der Norm EN55022, Klasse B.)

Safety Notice:

1. Do not install or operate the product in high temperature, humidity or dusty environment.
2. Do not attempt to open the cover to repair the product yourself.
3. Never spill liquid of any kind on the product.
4. Always follow instructions on this manual under operating the product.
5. To prevent exposure to laser emanations (harmful to human eyes), do not attempt to disassemble this unit.
6. Hold CD discs by their edges. Do not touch the surface of the discs.
7. The drive is designed to be incorporated into a computer-based system or unit that has an enclosing covers. Using the drive alone or in any other configuration is prohibited.

ACKNOWLEDGMENT & TRADEMARK:

All contents are subject to change at any time without notice. No responsibility is assumed for its use. Nor for infringements of patents or other rights of third parties and no patent or license is implied hereby. Microsoft, MS, MS-DOS and Windows are registered trademarks of Microsoft Corporation. Other system and product names used herein are registered trademarks or trademarks of their respective manufacturers, although the TM and ® marks are not used in the text.

NOTE

1. Our product warranty is valid only when the supplied accessories are used in the specified or recommended system environment, in accordance with the documentation, and applies only to this drive. Our customer service and user support apply only under these product warranty conditions.
2. Please note that we cannot accept responsibility for failure of the computer or other devices, incompatibility with special hardware, operating problems caused by improper installation of software, loss of data, discs or other accidental or incidental damage that might occur when using this product.
3. The guarantee and user support for this product are valid only within the countries or sales regions specified on the warranty card.
4. Copyright laws prohibit the copying in part or in full of the supplied software and documentation without obtaining permission of the copyright holder.
5. We cannot accept responsibility for any direct or indirect financial damage or loss of profit that might occur when using the software.

Precautions for Use

WARNING

Please be aware that cracked, deeply scratched or other poor quality discs used in this drive may cause damage to the drive and data in the discs. Such discs may break at high speed rotation. If full care is not exercised in relation to this matter you may void the warranty to this product.

Avoiding condensation problems

As much as possible, avoid sudden temperature changes. Do not attempt to use the drive immediately after moving it from a cold to a warm location, or raising the room temperature suddenly, as condensation may form within the drive. If the temperature changes suddenly while using the drive, stop using it but keep the power on for at least an hour.

Attention Regarding DualDisc Software

This product has been engineered to provide the highest entertainment value while playing standard CD discs. Using a DualDisc with this product may scratch or abrade the surface of the video side of the DualDisc and affect its playability and should not be used with this product.

Precauciones para el uso

AVISO

El uso de CDs rayados o de mala calidad puede dañar el aparato y la información almacenada en el disco. Dichos CDs pueden romperse a alta velocidad. Estos daños no serán cubiertos por nuestra garantía oficial.

Para evitar problemas de condensación

Evite los cambios repentinos de temperatura siempre que sea posible. No intente utilizar la unidad inmediatamente después de haberla trasladado de un lugar frío a otro caliente, ni aumentar repentinamente la temperatura de la habitación, porque se puede producir condensación dentro de la unidad. Si la temperatura cambia repentinamente mientras se utiliza la unidad, párela pero mantenga la alimentación conectada durante una hora como mínimo.

Nota acerca del software del DualDisc

Este producto se ha diseñado para poder disfrutar al máximo de la reproducción de discos CD estándar. No es recomendable la utilización de un DualDisc con este producto, puesto que puede arañar o rozar la superficie de la cara de vídeo del DualDisc y afectar negativamente a su reproducción.

使用注意事項

警告

使用破裂、裂痕或其他劣等的光碟片於此光碟機可能會導致機器的損壞或是資料的流失，請小心使用機器。不當的操作或使用不良的光碟片而導致機器的損壞可能會導致保固期失效。

避免結露

應儘可能避免溫度的突然變化。將驅動器從冷的地方搬移到熱的地方後，或房間內突然升溫後，不要立即使用，因為驅動器內可能結露。使用驅動器時如果溫度突然變化，立即停止使用，但電源至少仍需接通 1 小時。

關於 DualDisc 軟體注意事項

本產品可供播放標準 CD 光碟時，發揮最高的娛樂價值。在本產品上使用 DualDisc 可能會刮傷或磨損 DualDisc 的視訊面，並影響 DualDisc 的播放功能，且無法在本產品上使用。

1

DualDisc

CD

DualDisc

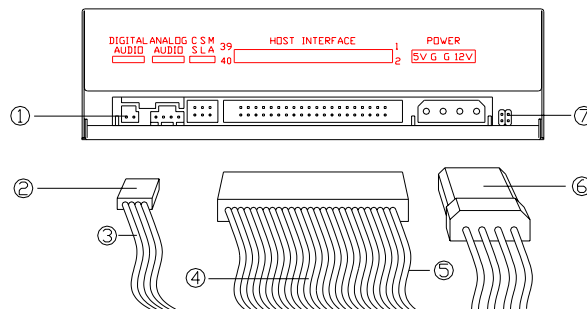
DualDisc



1. Installing the DVD-ROM Drive

Before you begin, turn off the system power. Follow the steps below to install the DVD-ROM drive:

1. Remove the cover from your system. Refer to your system user's guide.
2. Adjust the Master/Slave jumpers on the back of the DVD-ROM drive as necessary. (The factory default is Master. Please refer to Section 4 for more information.)
3. Insert the DVD-ROM drive unit into a free 5.25-inch drive bay. Secure the DVD-ROM drive to the drive bay rails with the mounting screws included in the DVD-ROM package. Refer to your system manual for instructions on how to install a drive.
4. Plug a free power connector inside your PC into the Power socket on the back of the DVD-ROM drive.
5. Plug a free IDE connector inside your PC into the drive's IDE interface socket.



- | | |
|------------------|-------------------------------|
| 1. Digital Audio | 5. Red Strip |
| 2. Audio Cable | 6. Power Cable |
| 3. Red Strip | 7. Self test for Factory only |
| 4. IDE Cable | |

NOTE: The red edge of the IDE cable corresponds to pin 1 of the IDE interface on the DVD-ROM drive.

6. Replace the cover and turn on the power.

NOTE: Using the wrong type of cable with this product can cause it to malfunction. Follow the instructions when connecting the product.

2. DVD Region Coding

Region Playback Control Management

You can only play DVD-Video discs with the same region code as your DVD-Video Playback system.

As for DVD-ROM drives, one kind of the DVD-Video Playback system, there are 2 types:

RPC Phase 1 (as RPC1): RPC1 drives do not have built-in hardware support for region management. DVD-ROM drives of this kind don't play a part in controlling the playback region. It solely depends on the decoder.

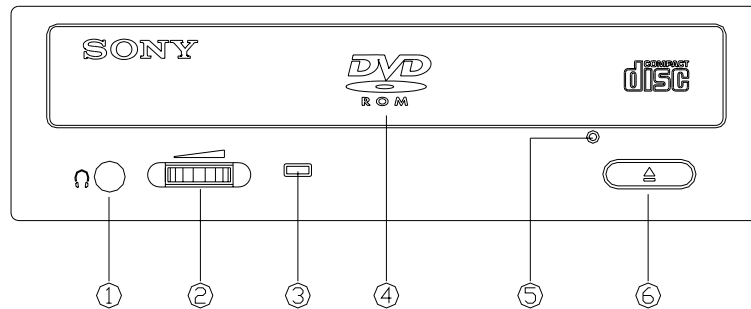
RPC Phase 2 (as RPC2): RPC2 drives maintain the region change count information in hardware, and in general, the region of such drives can be changed up to 5 times by the end users under some software decoder.

About This DVD-ROM Drive

This DVD-ROM drive you have purchased is a RPC2 drive and the first region code will depend on the DVD title you play. You are allowed to modify the region code 5 times. After the fifth alteration, the region code will be locked and only those DVD titles of the same region code could be played afterwards, so set the code carefully.

3. Using the DVD-ROM Drive

Front Panel



1. Headphone Jack

By plugging in the stereo mini jack here, you can listen to audio with headphones.

2. Volume Control

This rotary knob adjusts the volume level of the headphone output. Turning the wheel to the right will increase the audio volume.

3. LED Indicator

The LED indicator lights green when a disc is being loaded and it flashes green when the disc is being accessed.

4. Disc Tray

This is the tray for the disc. Place the disc in the tray, then press the Open/Close button or gently push the tray to close it.

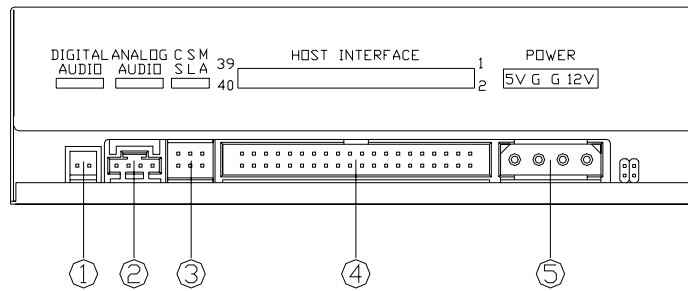
5. Emergency-eject Hole

The emergency-eject hole allows the user to open the CD tray when the system has no power.

6. Open/Close button

This button opens and closes the disc tray.

Rear View



1. Digital Audio Output Connector

If your sound card has a digital audio IEC958 format connector, you can connect it to this digital audio output connector with a 2-pin audio cable.

2. Analog Audio Output Connector

This connector allows you to connect the drive to your sound card with a 4-pin audio cable.

3. Device Configuration Jumper

Set the jumper to Master, Slave or Cable Select according to your system configuration.

4. IDE Interface Connector

Plug one end of the 40-pin IDE cable here to join the 40-pin IDE connector on the motherboard. The red-edge of the IDE cable must be connected to Pin 1 of each connector.

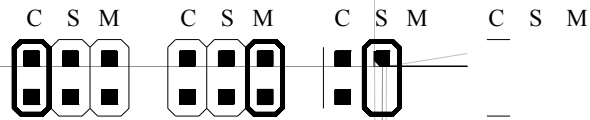
5. Power Supply Connector

By plugging the computer's power supply cable here, you can connect the DVD-ROM drive and your computer system.

4. Jumper Setting

This appendix explains the jumper settings on the drive and lists the pin configurations of each connector on the rear panel.

The DVD-ROM drive comes with one jumper. This jumper determines how your DVD-ROM drive functions. The figure and table below show the four possible jumper settings and their functions.



6. Using the 48x Reading Speed (Turbo Boost Function) with CD-ROM

The default CD-ROM reading speed of this drive is 40x speed. With a single touch, you can activate the Turbo Boost Function, making the reading speed 48x speed.

CAUTION

- On rare occasions, some CD-ROM may not be able to tolerate 48x speed, causing them to break. We recommend that you do not use deeply scratched, brittle, or other CD-ROM that may break at 48x speed.
- The Turbo Boost function can only be used when reading data from CD-ROM.

1. Insert a CD-ROM into the drive.

The reading speed when you insert a CD-ROM is normally 40x speed.

2. Press the Eject button for five seconds.

The Busy indicator blinks twice and the CD-ROM reading speed switches to 48x speed. (The Turbo Boost function is active.)

Note

When you open the disc tray, the CD-ROM reading speed reverts to its default to 40x speed.

Note:

- The drive may make sound like “shahhh...” while starting up because of the balls in the ABS (Auto-Balance System) spindle motor. It’s a normal state.
- When DDU1632 is used as a source drive in the “On the fly” copy, it is recommended that the data transfer mode of DDU1632 and HDD would be set to DMA for no noise in the copied disc.
- This product is designed to playback discs that conform to the Compact Disc (CD) standard. Recently, various music discs encoded with copyright protection technologies are marketed by some record companies. Please be aware that among those discs, there are some that do not conform to the CD standard and may not be playable by this product.

7. Product and Support information

Sony Global Sites Information

Product purchased in the USA:*
<http://sony.storagesupport.com/>

Product purchased in Hong Kong:*
<http://www.sony.com.hk/Electronics/cp/>

Product purchased in China:*
<http://www.sony.com.cn/ed/cp/>

Product purchased in Singapore:
<http://www.css.ap.sony.com/>

Product purchased in Taiwan:*
<http://www.sony.com.tw/ds/>

Product purchased in Brazil:
<http://www.sony.com.br/eletronicos/>

Product purchased in the Middle East
<http://www.sony-mea.com/>

*Local Web sites for computer peripheral products

Technical Support

Product purchased in the USA (Sony Electronics Inc.):

Monday to Saturday 8:00 a.m. - 8:00 p.m. (CT)

- Toll Free: 1-800-588-3847
- Free telephone support is offered for 90 days from your first call.

Product purchased in Singapore (Sony Electronics Singapore Pte. Ltd.):

Monday to Friday 9:00 a.m. - 5:00 p.m.

- Storage support Hotline (not toll free): +65-6544 7393
- E-mail: EDMS.Support@ap.sony.com
- Support site : <http://www.css.ap.sony.com/>

Specifications

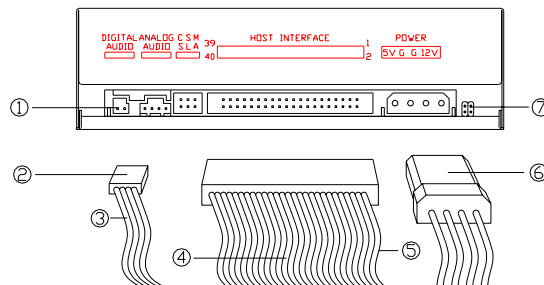
DRIVE PERFORMANCE	
Data Transfer rate	DVD-ROM: Single layer: 22.1 MB/s (16X Max) Dual layer: 13.8 MB/s (10X Max) CD-ROM: 7.2 MB/s (48X Max) *1
Random access time	DVD-ROM: 100 ms CD-ROM: 85 ms
Data Buffer Size	512 KB
COMPATIBLE DISC	
Disc Type (data format)	CD-DA, CD-ROM, CD-ROM XA, Photo CD, Video CD, CD-Text, CD-R, CD-RW, DVD-ROM, DVD±R, DVD±RW, DVD±R DL
Disc Size	80-mm and 120-mm
INTERFACE	
Drive Interface Type	ATAPI
POWER AND MISCELLANEOUS	
DC + 5V	1.3A
DC + 12V	1.5A
Size	148.6±0.5 (W) × 41.8±0.5 (H) × 177.2±0.5 (D) mm
Weigh	Approx. 0.8 Kg
DRIVE INQUIRY	
SONY DVD-ROM DDU1632	
ENVIRONMENT REQUIREMENT	
Operating Environment	5°C ~ 40°C
LASER COMPONENT RADIATION DATA	
Wave length	650 ± 10 nm(DVD) 790 ± 15 nm(CD)
Output power(max)	0.65 mW(DVD) 0.45 mW(CD)

*1:When using the Turbo Boost Function.

1. Instalación de la unidad DVD-ROM

Antes de empezar a instalar la unidad DVD-ROM debe apagar el ordenador. Siga los pasos siguientes para instalar la unidad DVD-ROM:

1. Retire la cubierta del ordenador. Consulte el guía del usuario.
2. Si es necesario ajuste los puentes maestro/esclavo en la parte trasera de la unidad DVD-ROM. (Normalmente el ajuste predeterminado del modo Maestro no debe ser cambiado. Por favor consulte la sección 4 para mayores detalles.)
3. Inserte la unidad DVD-ROM en el espacio de 5.25 pulgadas. Asegure los rieles a cada lado de la unidad usando los tornillos que vienen incluidos en el paquete del DVD-ROM. Consulte las instrucciones del manual del usuario que explican cómo instalar la unidad DVD-ROM.
4. Inserte un conector de corriente vacante del ordenador al enchufe de corriente en la parte trasera de la unidad DVD-ROM.
5. Enchufe un conector IDE vacante del ordenador al enchufe IDE en la parte trasera de la unidad DVD-ROM.



- | | |
|--------------------|---------------------------------------|
| 1. Audio digital | 5. Franja roja |
| 2. Cable de sonido | 6. Cable de Corriente |
| 3. Franja roja | 7. Autocomprobación sólo para fábrica |
| 4. Cable IDE | |

NOTA: La franja roja del cable IDE debe concordar con el pin 1 del conector IDE de la unidad DVD-ROM.

6. Reponga la cubierta del ordenador.

NOTA: Si utiliza este producto con un tipo de cable equivocado, es posible que no funcione correctamente. Siga las instrucciones cuando conecte el producto.

2. DVD codificación de región

Administración del control de la reproducción de región

Los discos DVD-Vídeo sólo pueden reproducirse con la misma codificación de región que tiene el sistema de reproducción de DVD-Vídeo.

Hay dos tipos de unidades DVD-ROM, una clase de sistema de reproducción DVD-Vídeo:

RPC Fase 1 (RPC1): las unidades de RPC1 no tienen un soporte de hardware incorporado para la administración de región. Este tipo de unidad de DVD-ROM no tiene una función en el control de la región de reproducción. Todo depende del decodificador.

RPC Fase 2 (RPC2): las unidades de RPC2 mantienen la información de recuento de los cambios de región en el hardware y por lo general, los usuarios finales pueden cambiar la región de dichas unidades hasta 5 veces bajo algunos tipos de decodificadores.

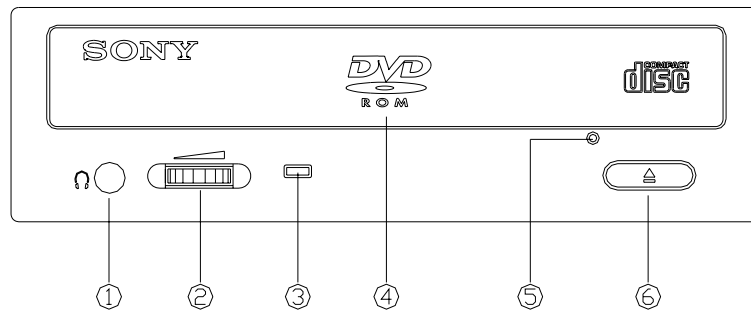
Acerca de la unidad DVD-ROM

La unidad DVD-ROM que usted compró es una unidad RPC2 y el primer código de región dependerá en el título DVD que se reproduzca. Puede

modificar el código de región hasta 5 veces. Después de la quinta modificación, el código de región se bloqueará y de ahí en adelante, sólo se podrá reproducir los títulos DVD con aquel código de región. Por lo tanto, la configuración del código debe realizarse cuidadosamente.

3. Uso de la unidad DVD-ROM

Tablero Frontal



1. Enchufe de Auriculares

Conectando aquí la clavija de estéreo, puede escuchar un audio utilizando auriculares.

2. Control del Volumen de Auriculares

Este botón ajusta el nivel de volumen de la salida audio de sus auriculares. Gire el mismo hacia a la derecha para aumentar el volumen del audio.

3. Indicador Luminoso

Luz "verde" cuando un disco esta presente o dicha luz relampaquea cuando el disco ya esta accesado.

4. Bandeja de Disco

Esta es la bandeja para el disco. Coloque el disco sobre la bandeja y luego pulse el botón Expulsar/Cerrar o empuje la bandeja suavemente para cerrarla.

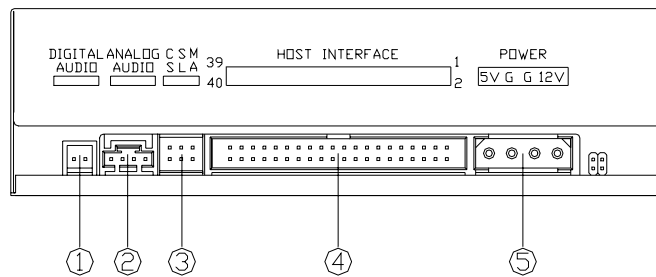
5. Agujero de expulsión de emergencia

Si el ordenador está apagado, presione dentro de este agujero para que la bandeja del disco compacto salga.

6. Botón Abrir/Cerrar

Este botón abre y cierra la bandeja.

Vista Trasera



1. Conector de Salida de Audio Digital

Si su tarjeta de sonido tiene un conector de audio digital en formato IEC958, el mismo se puede conectar a este conector de salida de audio digital utilizando un cable audio de 2 espigas.

2. Conector de Salida de Audio Analógico

Este conector permite conectar la unidad a la tarjeta de sonido utilizando un cable audio de 4 espigas.

3. Clavija de Puente para la Configuración del Dispositivo

Configure la clavija de puente como Maestro, Esclavo o Selección de Cable, de acuerdo a la configuración de su sistema.

4. Conector de Interface IDE

Enchufa aquí una punta del cable IDE de 40 espigas para conectar el conector IDE de 40 espigas a la placa madre. El borde rojo del cable se debe conectar a la Espiga 1 de cada conector.

5. Conector de Alimentación

Enchufando aquí el cable de alimentación de la PC, usted puede conectar la unidad de DVD-ROM a su sistema.

4. Ajustes de puentes

Este apéndice explica cómo ajustar los puentes de la unidad y lista las configuraciones de pines de cada conector del panel trasero.

El DVD-ROM drive viene acompañado con un jumper. Este puente determina el funcionamiento de la unidad DVD-ROM. La figura y tabla siguiente muestran las cuatro posibles configuraciones y sus funciones.



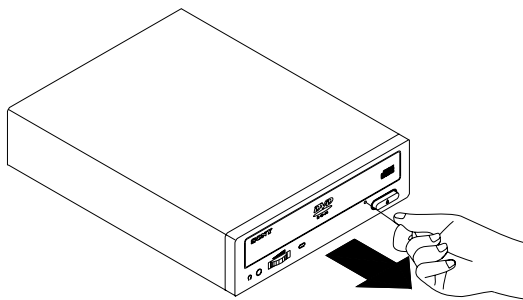
Ajuste de puente	Función
C	Cable seleccionado
M	Maestro (valor predeterminado)
S	Esclavo
Nada	Esclavo

5. Opción de expulsión de emergencia

Este botón de expulsión de emergencia permite abrir manualmente la bandeja de disco compacto cuando suceda un malfuncionamiento del ordenador.

Siga los pasos siguientes para abrir manualmente la bandeja:

1. Localice este agujero en la parte inferior de la bandeja. Pinche el agujero usando un alfiler.
2. Cuando la bandeja se abra, sáquela, y retire el disco compacto de su interior.



6. Utilización de la velocidad de lectura 48x (Función Turbo Boost) con CD-ROM

La velocidad de lectura de CD-ROM predeterminada para esta unidad es 40x velocidades. Con un solo botón, puede activarse la función Turbo Boost, aumentando la velocidad de lectura a 48 velocidades.

PRECAUCIÓN

- En contadas ocasiones, algunos CD-ROM pueden que no toleren la velocidad de 48x, lo que haría que se rompieran. Le recomendamos que no utilice discos con muchos arañazos, frágiles ni cualquier otro CD-ROM que pudiera romperse a velocidades de 48x.
- La función Turbo Boost sólo puede utilizarse cuando se leen datos desde el CD-ROM.

1. Inserte un CD-ROM dentro de la unidad.

La velocidad de lectura cuando se inserta un CD-ROM es normalmente de 40 velocidades.

2. Pulse el botón Expulsar durante cinco segundos.

El indicador Ocupado parpadea dos veces y la velocidad de lectura del CD-ROM cambia a 48 velocidades. (La función Turbo Boost está activa).

Nota

Cuando se abre la bandeja del disco, la velocidad de lectura del CD-ROM cambia a su valor predeterminado de 40 velocidades.

Nota:

- ♦ Es posible que la unidad de DVD-ROM emita un ruido como "shahhh..." durante su inicio debido a los balones en el motor de eje ABS (Sistema de equilibrio automático). Esto es normal.
- ♦ Cuando el DDU1632 se utiliza como la unidad fuente en la copia "Inmediata", se recomienda establecer el modo de transferencia de datos de DDU1632 y de HDD en modo DMA para que no haya ruido en el disco copiado.
- ♦ Este producto está diseñado para reproducir discos que se ajustan al estándar Compact Disc (CD). Recientemente, varios discos de música codificados con tecnologías de protección de derechos de autor han sido mercadeados por algunas compañías discográficas. Por favor tenga en cuenta que entre esos discos puede haber algunos que no se ajustan al estándar CD y posiblemente no se puedan reproducir en este producto.

7. INFORMACIÓN DE SOPORTE Y ProductO

Información de los sitios mundiales de SONY

Productos comprados en los Estados Unidos:*

<http://sony.storagesupport.com/>

Productos comprados en Hong Kong: *

<http://www.sony.com.hk/Electronics/cp>

Productos comprados en China:*

<http://www.sony.com.cn/ed/cp/>

Productos comprados en Singapur:

<http://www.css.ap.sony.com/>

Productos comprados en Taiwán:*

<http://www.sony.com.tw/ds/>

Productos comprados en Brasil:

<http://www.sony.com.br/eletronicos/>

Productos comprados en el Medio Oriente:

<http://www.sony-mea.com/>

* Sitios Web locales para los productos periféricos de computadora.

Especificaciones

ACTUACIÓN	
Velocidad de transferencia de datos	DVD-ROM Una Capar: 22.1 MB/s (16X) Dos Capas: 13.8 MB/s (10X) CD-ROM: 7.2 MB/s (48X) *1
Tiempo de acceso	DVD-ROM: 100 ms CD-ROM: 85 ms
Tamaño de memoria intermedia	512 KB
DISCO DE COMPATIBLE	
Tipo de Disco	CD-DA, CD-ROM, CD-ROM XA, Photo CD, Video CD, CD-Text, CD-R, CD-RW, DVD-ROM, DVD±R, DVD±RW, DVD±R DL
Tamaño de Disco	80-mm and 120-mm
INTERFACE	
Tipo de Interface	ATAPI
EL PODER Y OTROS	
DC + 5V	1.3A
DC + 12V	1.5A
Exterior	148.6±0.5 × 41.8±0.5 × 177.2±0.5 mm
Peso	Approx. 0.8 Kg
DRIVE INQUIRY	
SONY DVD-ROM DDU1632	
REQUISITO DEL AMBIENTE	
Condición en funcionamiento	5°C ~ 40°C
LÁSER COMPONENTE RADIACIÓN DATOS	
Longitud de onda	650 ± 10 nm(DVD) 790 ± 15 nm(CD)
Potencia de salida(máx.)	0.65 mW(DVD) 0.45 mW(CD)

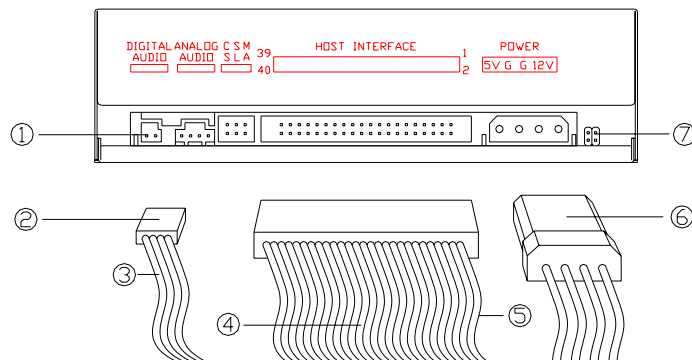
*1: Al usar el Turbo Boost función.

El diseño y las especificaciones se cambian sin el aviso.

1. DVD-ROM 光碟機的安裝

開始之前，請先關掉電腦系統的電源，然後依照下列步驟進行安裝：

1. 將電腦系統的外蓋拆除。(請參考你的系統使用手冊)。
2. 依據需要，調整光碟機後面的 Master/Slave 跳線帽。(工廠出廠的設定值是 Master。請參考第 4 章)
3. 將光碟機推入一個空的 5.25 英寸的機架中，以隨包裝所附的螺絲鎖於機架邊軌上。
4. 將電腦系統內可使用的電源線接到光碟機後面的電源接頭上。
5. 將電腦系統內可使用的 IDE 排線接到光碟機後面的 IDE 界面插槽上。



- | | |
|-----------|---------------|
| 1. 音源接頭 | 5. 紅緣線 |
| 2. 音源線 | 6. 電源線 |
| 3. 紅緣線 | 7. 自測部份僅供原廠使用 |
| 4. IDE 排線 | |

注意: IDE 紅緣線相對於 DVD-ROM 光碟機上 IDE 界面插槽的第一腳位。

6. 將電腦系統的外蓋裝回，並打開電源。

注意: 使用錯誤的電纜會令此驅動器損壞。當連接此驅動器時，請遵守使用手冊的安裝步驟。

2. DVD 區域碼

區域碼控制系統

在播放 DVD 影片時，你只可以播放與你的 DVD 播放裝置相同區域碼的片子。

DVD-ROM 光碟機是 DVD 播放裝置的一種，又分為兩種類型：

RPC Phase 1 (RPC 1): RPC1 類型的 DVD 光碟機沒有支援區域碼設定的硬體內建裝置，所以必須由解碼器來決定。

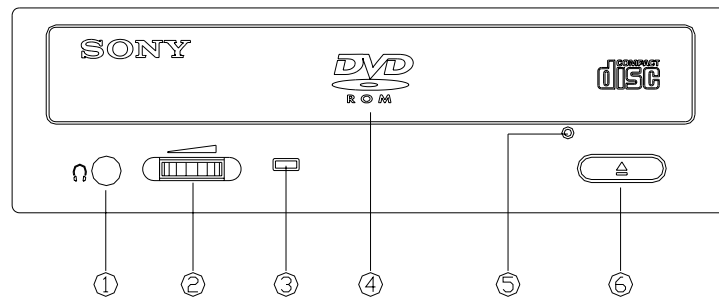
RPC Phase 2 (RPC 2): RPC2 類型的 DVD 光碟機有支援區域碼設定的硬體內建裝置。一般說來，使用者透過解碼器的使用(例如: DVD 播放軟體)，最多可以更改 5 次區域碼的設定。

關於這一台 DVD 光碟機

您所購買的這台 DVD 光碟機是 RPC Phase 2 光碟機，可以更改 5 次區域碼的設定。(第一次的區域碼設定，將依據您所放入的片子來決定。) 在第五次更改後，區域碼將會被固定，無法再變更。你只能播放與該區域碼相同的 DVD 影片，所以請小心選擇。

3. DVD-ROM 光碟機的使用

前端面板



1. 耳機孔 (Headphone Jack)

立體耳機插頭。你可以利用耳機聆聽音樂。

2. 音量控制鈕 (Headphone Volume Control)

這是一個可調撥耳機音量的旋鈕，向右調撥可以提高音量。

3. 指示燈 (Led Indicator)

放入光碟片之後，光碟機會辨識片子規格。此時，綠色指示燈亮起。當播放音樂片或讀取資料時，綠色指示燈閃爍顯示。

4. 托盤 (Disc Tray)

將光碟片放在托盤中，然後輕按關閉/退出按鈕，或輕輕推入托盤，即可關上。

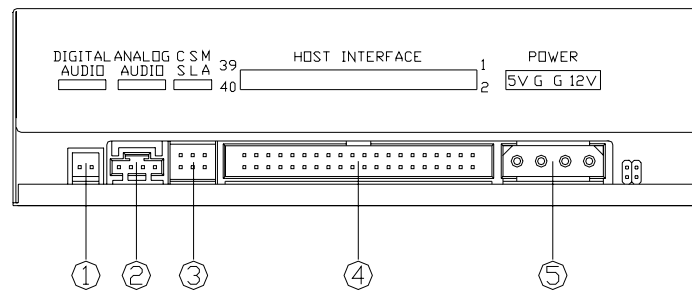
5. 緊急退出孔 (Emergency Eject Hole)

當電腦系統沒有電源時，利用緊急退出孔可打開 CD 拖盤。

6. 關閉/退出按鈕 (Close/Eject button)

這個按鈕可以打開或關閉托盤。

後端接頭



1. 數位音源輸出接頭 (Digital Audio Output Connector)

如果你的音效卡具有數位音源 IEC958 格式接頭，你可以用 2-pin 的音源線連接到這裡。

2. 類比音源輸出接頭 (Analog Audio Output Connector)

你可以利用 4-pin 的音源線和這個接頭，來連接音效卡。

3. 主從設定跳線 (Device Configuration Jumper)

根據你的系統設定，將跳線設為 Master, Slave 或 Cable Select。

4. IDE 排線接頭 (IDE Interface Connector)

將 40-pin IDE 排線的一端插入此接頭，另一端接到主機板上的 40-pin IDE 界面插槽上。IDE 排線的紅色邊緣，必須對準插槽上的第一腳位(Pin 1) 插入。

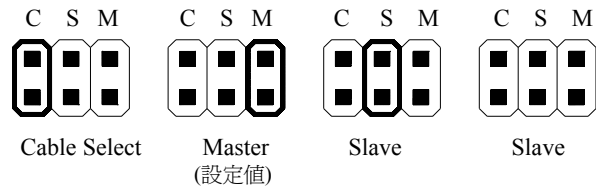
5. 電源接頭 (Power Supply Connector)

將電源線插入此接頭，以連接 DVD-ROM 光碟機和電腦。

4. 跳線的設定

這段文字說明 DVD-ROM 光碟機的跳線設定，並且列出後面板每一個接頭的腳位配置。

光碟機配有一個跳線帽，跳線帽的位置必須正確，才可以確保光碟機的正常運作，並可避免與其他 IDE 裝置產生衝突。以下的圖形及表單列出 4 種可能的跳線設定。



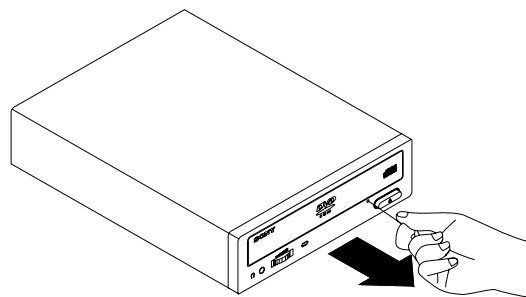
跳線的設定	功能
C	Cable Select
M	Master (設定值)
S	Slave
None	Slave

5. 緊急退出功能

緊急退出功能的設計，可讓使用者在電源故障時，以手動方式打開 CD 拖盤。

操作方式如下：

1. 找到位於拖盤下方的小孔，用針或尖狀物輕輕的戳進小孔內部。
2. 當 CD 拖盤打開，拉出拖盤，取出 CD。



6. 使用 48 倍速的 CD-ROM 讀取速度 (Turbo Boost 功能)

這台光碟機的預設 CD-ROM 讀取速度是 40 倍速。只需按一下，就可以驅動 Turbo Boost 功能，使讀取速度變為 48 倍速。

注意

- 在極少情況下，某些 CD-ROM 不能承受 48 倍速的讀取速度，進而造成 CD-ROM 損壞。我們建議不要使用有嚴重刮傷的，易損壞的或其他在 48 倍速下易損壞的 CD-ROM。
- 只有在讀取 CD-ROM 資料時才可以使用 Turbo Boost 功能。

1. 將 CD-ROM 放入光碟機中

一般在放入 CD-ROM 時，讀取速度是 40 倍速

2. 按住退出鍵 5 秒鐘

Busy 指示燈會閃兩次，讀取速度切換到 48 倍速。(Turbo Boost 功能生效。)

注

當退出光碟機托盤時，CD-ROM 讀取速度又會恢復到 40 倍速的預設值。

注意

- ◆ 光碟機在剛啟動時會發出 ABS (Auto-Balance System) 主軸馬達內的鋼珠球運轉聲音。那是正常的現象。
- ◆ 當 DDU1632 做為 "On the fly" 燒錄時的來源光碟機時，我們建議將 DDU1632 和硬碟的資料傳輸模式 (data transfer mode) 設為 DMA 模式，這樣可以避免噪音的寫入。
- ◆ 本產品的設計是播放符合 Compact Disc (CD) 標準的光碟。最近市面上有些公司推出有防盜拷保護的各式音樂片，而其中有部份是不符合 CD 標準的，本產品將無法播放此類光碟。

7. 相關產品及服務資訊

SONY 全球網站支援

在美國購買的產品:*

<http://sony.storagesupport.com/>

在香港購買的產品: *

<http://www.sony.com.hk/Electronics/cp>

在中國購買的產品*

<http://www.sony.com.cn/ed/cp/>

在新加坡購買的產品:

<http://www.css.ap.sony.com/>

在台灣購買的產品:*

<http://www.sony.com.tw/ds/>

在巴西購買的產品:

<http://www.sony.com.br/eletronicos/>

在中東購買的產品:

<http://www.sony-mea.com/>

* 針對電腦周邊產品的當地網址

主要規格

性能	
數據傳輸率	DVD-ROM 單層: 22.1 MB/s (16X 倍速) 雙層: 13.8 MB/s (10X 倍速) CD-ROM: 7.2 MB/s (48X 倍速) *1
平均隨機週期	DVD-ROM: 100 ms CD-ROM: 85 ms
緩衝區容量	512 KB
相容的光碟	
光碟類型	CD-DA, CD-ROM, CD-ROM XA, Photo CD, Video CD, CD-Text, CD-R, CD-RW, DVD-ROM, DVD±R, DVD±RW, DVD±R DL
光碟直徑	80-mm and 120-mm discs
接口	
驅動器接口	ATAPI
電源和其他	
DC + 5V	1.3A
DC + 12V	1.5A
尺寸	148.6±0.5 × 41.8±0.5 × 177.2±0.5 mm
重量	約 0.8 Kg
DRIVE INQUIRY	
SONY DVD-ROM DDU1632	
操作環境	
操作溫度	5°C ~ 40°C
雷射規格	
波長	650 ± 10 nm(DVD) 790 ± 15 nm(CD)
輸出功率(最大)	0.65 mW(DVD) 0.45 mW(CD)

*1: 當使用Turbo Boost 功能時。

規格和外形如有變化，恕不另行通知。

製造年度與製造批號 標示於機體上

製造國·地區 中國製造

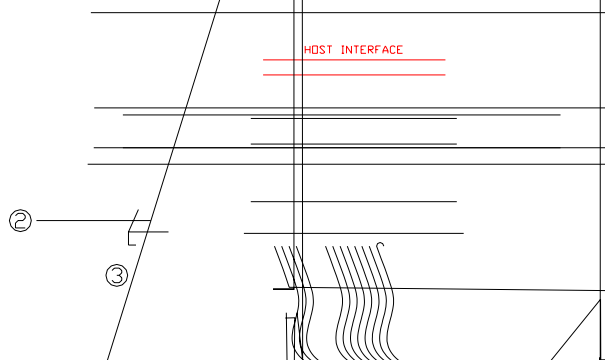
台灣新力國際股份有限公司

台北市長春路 145 號 5 樓

(02) 2522-8546

1. DVD-ROM

- 1. ()
- 2. Master/Slave (Master
- 3. 4)
- 4. 5.25
- 5. IDE IDE



- 1.
- 2.
- 3.
- 5.
- 6.
- 7.



2. DVD

DVD

DVD

DVD-ROM DVD

RPC Phase 1 (RPC 1): RPC1 DVD

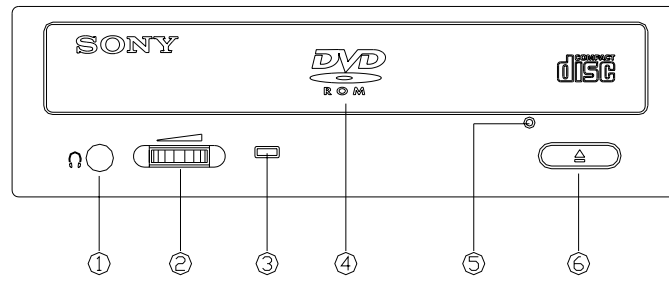
RPC Phase 2 (RPC 2): RPC2 DVD
(:DVD) 5

DVD

DVD RPC Phase 2 5 ()
DVD



3. DVD-ROM



1. (Headphone Jack)

2.

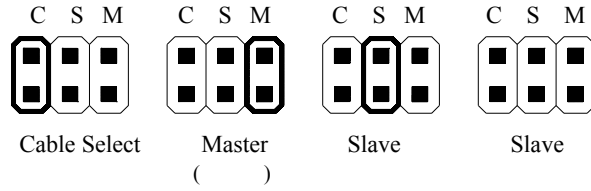


4.

DVD-ROM

IDE

4



C	Cable Select
M	Master ()
S	Slave
None	Slave

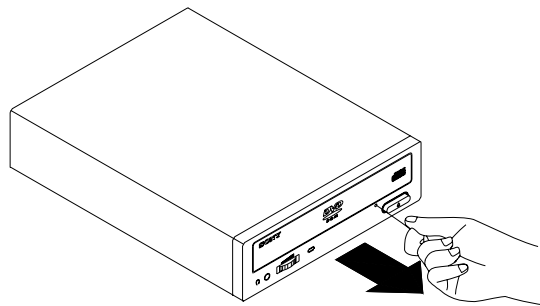
5.

CD

1.

2. CD

CD



5



6. 48 CD-ROM (TURBO BOOST)

CD-ROM 40 Turbo Boost
48



- CD-ROM 48 CD-ROM
48 CD-ROM
- CD-ROM Turbo Boost

1. **CD-ROM**
CD-ROM 40

2. 5
48 (Turbo Boost)



CD-ROM 40

- ◆ ABS (Auto-Balance System)
- ◆ DDU1632 "On the fly" DDU1632 碟
(data transfer mode) DMA
- ◆ Compact Disc (CD)
CD



7.

SONY

:*
<http://sony.storagesupport.com/>

:*
<http://www.sony.com.hk/Electronics/cp>

*
<http://www.sony.com.cn/ed/cp/>

:
<http://www.css.ap.sony.com/>

:*
<http://www.sony.com.tw/ds/>

:
<http://www.sony.com.br/eletronicos/>

:
<http://www.sony-mea.com/>

*

DVD-ROM	
	: 22.1 MB/s (16X)
	: 13.8 MB/s (10X)
	CD-ROM: 7.2 MB/s (48X) *1
DVD: 100 ms	
CD: 85 ms	
512 KB	
CD-DA, CD-ROM, CD-ROM XA, Photo CD, Video CD, CD-Text, CD-R, CD-RW DVD-ROM, DVD±R, DVD±RW, DVD±R DL	
80-mm and 120-mm	
ATAPI	
DC + 5V	1.3A
DC + 12V	1.5A
148.6±0.5 × 41.8±0.5 × 177.2±0.5 mm	
0.8 Kg	
DRIVE INQUIRY	
SONY DVD-ROM DDU1632	
5°C ~ 40°C	
650 ± 10 nm(DVD)	
790 ± 15 nm(CD)	
()	0.65 mW(DVD)
	0.45 mW(CD)

*1: Turbo Boost

Free Manuals Download Website

<http://myh66.com>

<http://usermanuals.us>

<http://www.somanuals.com>

<http://www.4manuals.cc>

<http://www.manual-lib.com>

<http://www.404manual.com>

<http://www.luxmanual.com>

<http://aubethermostatmanual.com>

Golf course search by state

<http://golfingnear.com>

Email search by domain

<http://emailbydomain.com>

Auto manuals search

<http://auto.somanuals.com>

TV manuals search

<http://tv.somanuals.com>