

DVD HOME THEATRE SYSTEM

HT-6900DP

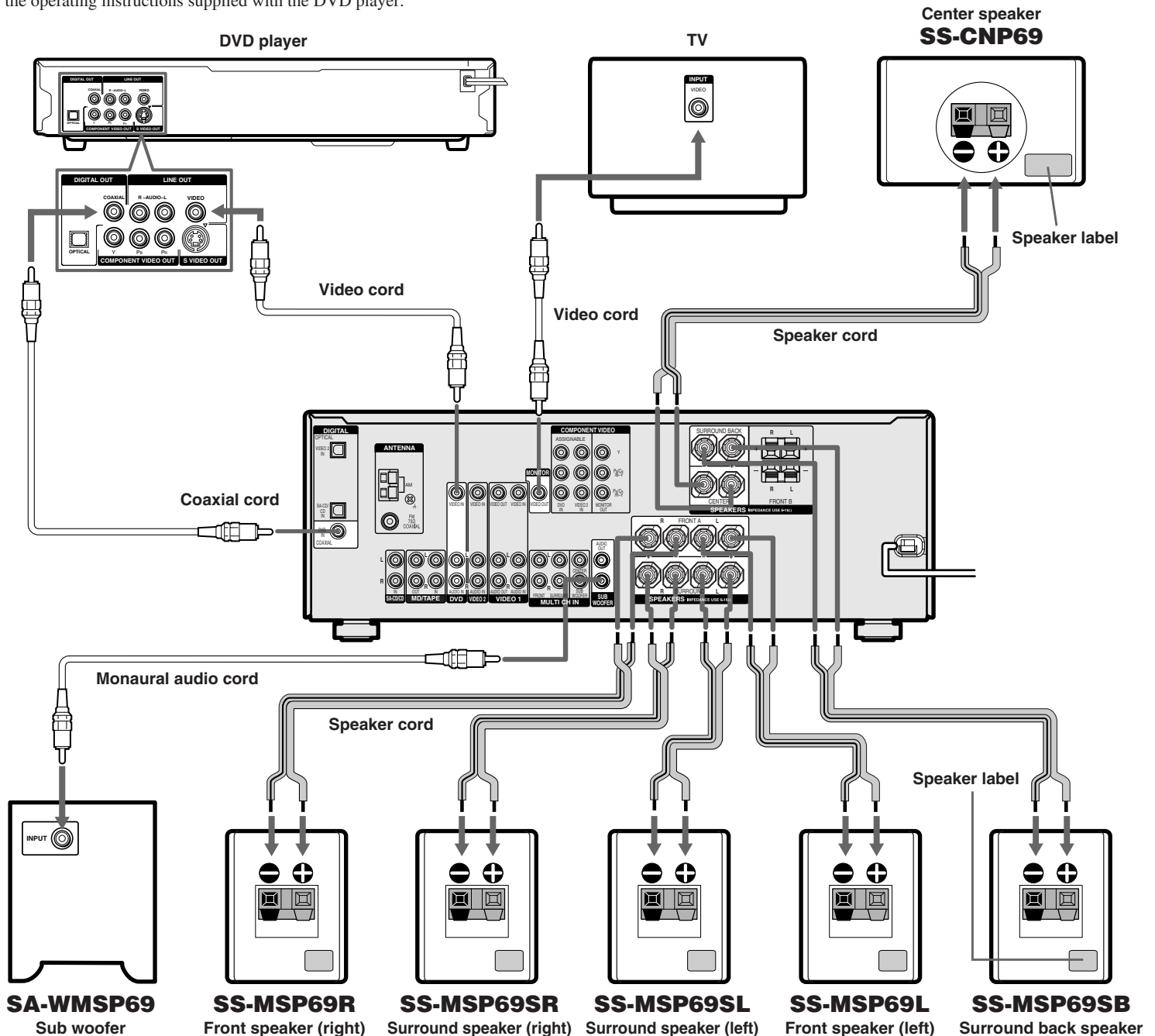
Speaker Connection

This Speaker Connection explains how to connect the DVD player, TV, speakers, and sub woofer so you can enjoy multi channel surround sound from the DVD player. For details, refer to the operating instructions supplied with the receiver. Before you connect the speakers, check the speaker label on the rear panel of the speakers for the model name. Connect the speakers as shown in the illustration below.

The front and center speakers and the sub woofer are magnetically shielded to allow it to be installed near a TV set. However, as the surround speakers and surround back speaker are not magnetically shielded, we recommend that you place them slightly further away from TV set.

Note

To playback multi channel surround sound through this receiver, you may have to change the digital output setting on the DVD player. For details, refer to the operating instructions supplied with the DVD player.



Free Manuals Download Website

<http://myh66.com>

<http://usermanuals.us>

<http://www.somanuals.com>

<http://www.4manuals.cc>

<http://www.manual-lib.com>

<http://www.404manual.com>

<http://www.luxmanual.com>

<http://aubethermostatmanual.com>

Golf course search by state

<http://golfingnear.com>

Email search by domain

<http://emailbydomain.com>

Auto manuals search

<http://auto.somanuals.com>

TV manuals search

<http://tv.somanuals.com>