

# DVP-NS355/NS501P/NS507P/NS525P/NS575P/NS585P

## RMT-D165A/RMT-D165P/RMT-D166P

# SERVICE MANUAL



Photo : DVP-NS575P  
RMT-D165P

*Brazil Model*  
DVP-NS355

*China Model*  
DVP-NS507P/NS525P/NS585P

*Middle East Model*  
DVP-NS585P

*US Model*  
DVP-NS501P

*Canada Model*  
PX Model

*Mexico Model*  
Latin Model

*Brazil Model*  
Hong Kong Model

GA Model

*Taiwan Model*  
Korea Model

*Saudi Arabia Model*  
Middle East Model

India Model

*Australia Model*  
China Model

*Argentina Model*  
US Model

*Iran Model*  
DVP-NS575P



Notes: US and Canada model only

## SPECIFICATIONS

### System

**Laser:** Semiconductor laser

**Signal format system:** NTSC

### Audio characteristics

**Frequency response:** DVD VIDEO (PCM 96 kHz): 2 Hz to 44 kHz ( $\pm 1.0$  dB)/  
DVD VIDEO (PCM 48 kHz): 2 Hz to 22 kHz ( $\pm 0.5$  dB)/CD: 2 Hz to 20 kHz ( $\pm 0.5$  dB)

**Signal-to-noise ratio (S/N ratio):** 115 dB

**Harmonic distortion:** 0.003%

**Dynamic range:** DVD VIDEO: 103 dB/  
CD: 99 dB

**Wow and flutter:** Less than detected value ( $\pm 0.001\%$  W PEAK)

### Outputs

**(Jack name: Jack type/Output level/ Load impedance)**

**LINE OUT (AUDIO):** Phono jack/  
2 Vrms/ 10 kilohms

**DIGITAL OUT (COAXIAL):** Phono jack/  
0.5 Vp-p/75 ohms

### COMPONENT VIDEO OUT

**(Y, Pb, Pr):** Phono jack/Y: 1.0 Vp-p/  
Pb, Pr: 0.65 Vp-p/75 ohms

**LINE OUT (VIDEO):** Phono jack/  
1.0 Vp-p 75 ohms

**S VIDEO OUT:** 4-pin mini DIN/Y:  
1.0 Vp-p, C: 0.286 Vp-p/75 ohms

### General

#### Power requirements:

120 V AC, 60 Hz

110-240 V AC, 50/60 Hz

See page 5 for further information

**Power consumption:** 11 W

**Dimensions (approx.):** 430 × 43 × 237.7 mm (17 × 2 11/16 × 9 1/2 in.)  
(width/height/depth) incl. projecting parts

**Mass (approx.):** 1.95 kg (4 1/3 lb)

**Operating temperature:** 5°C to 35°C  
(41°F to 95°F)

**Operating humidity:** 25% to 80%

### Supplied accessories

See page 17

Specifications and design are subject to change without notice.

ENERGY STAR® is a U.S. registered mark.

As an ENERGY STAR® Partner, Sony Corporation has determined that this product meets the ENERGY STAR® guidelines for energy efficiency.

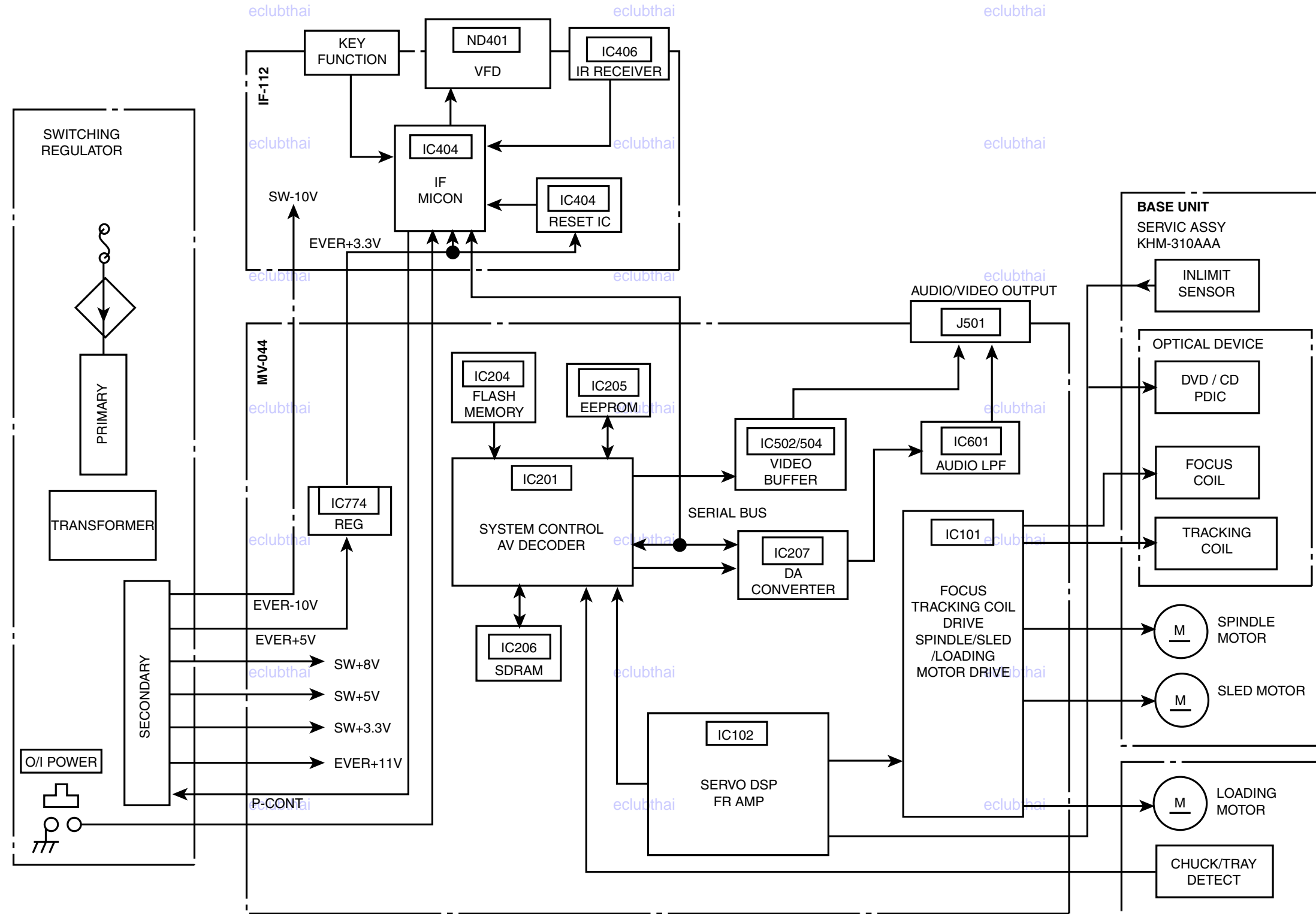


CD/DVD PLAYER

# SONY®

SECTION 3  
BLOCK DIAGRAMS

3-1. OVERALL BLOCK DIAGRAM

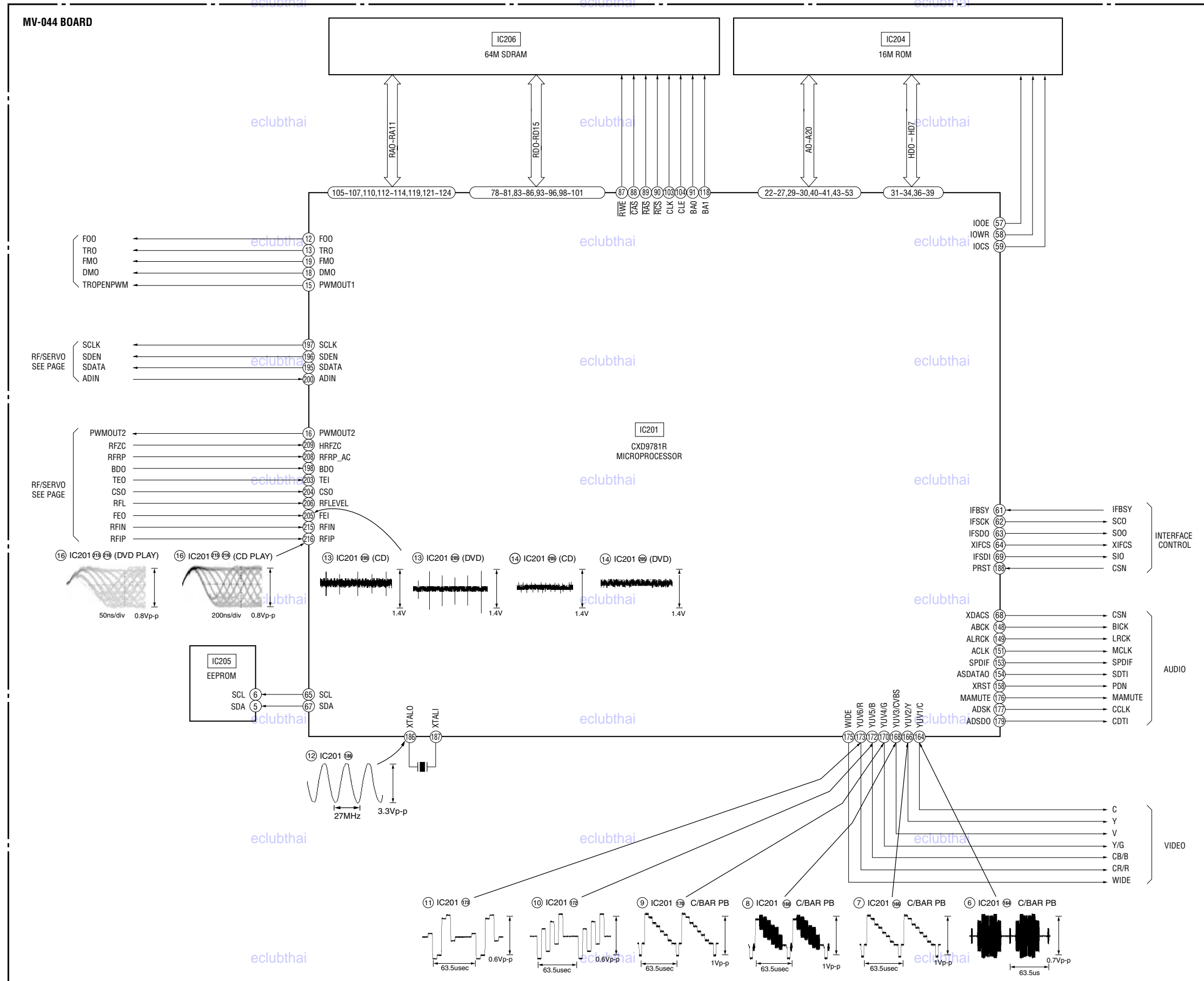


Notes:

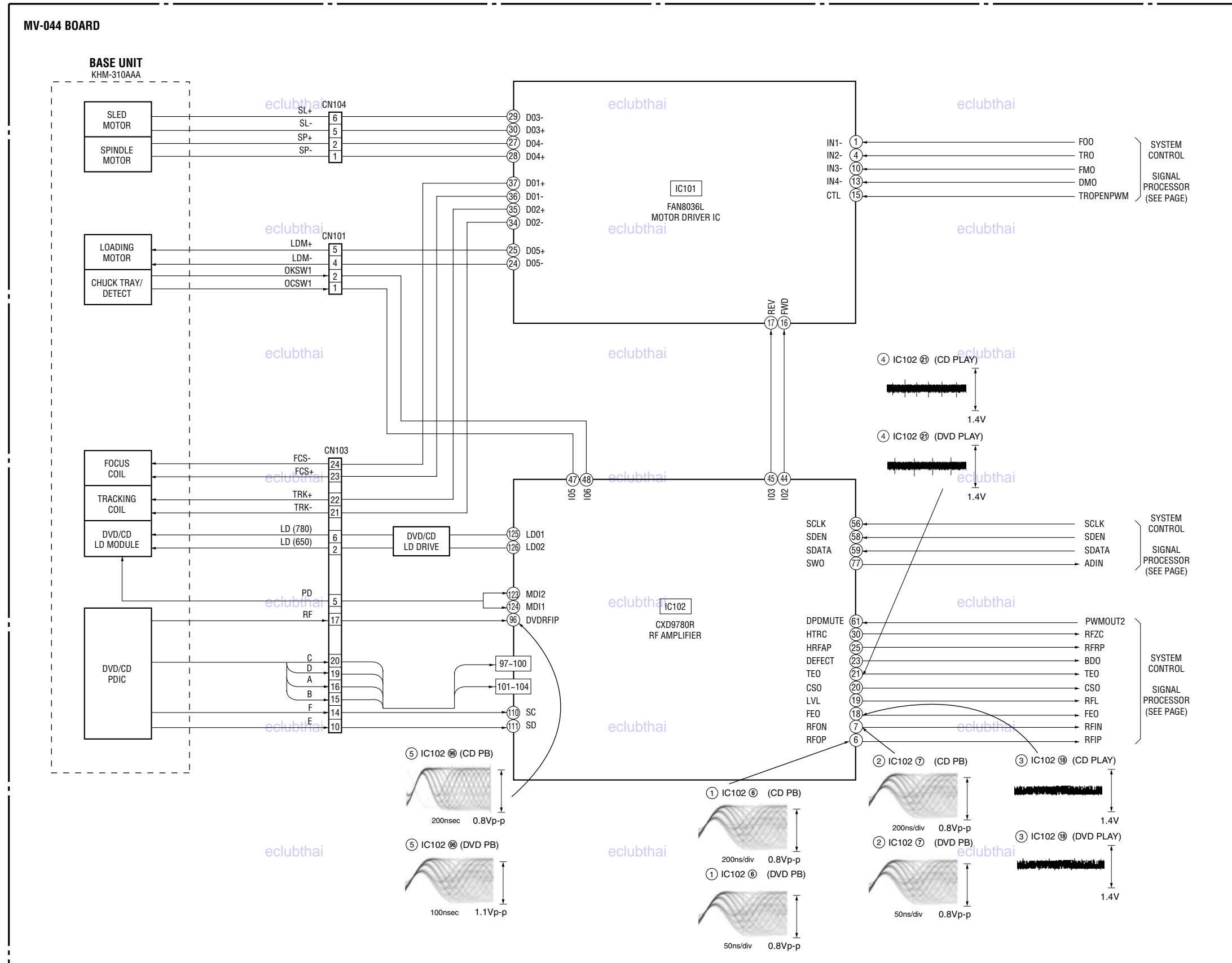
MV-44 mounted PWB must be replaced if IC205 (EEPROM IC) is damaged or not functioning.

The old MV-44 mounted PWB must be completely disposed.

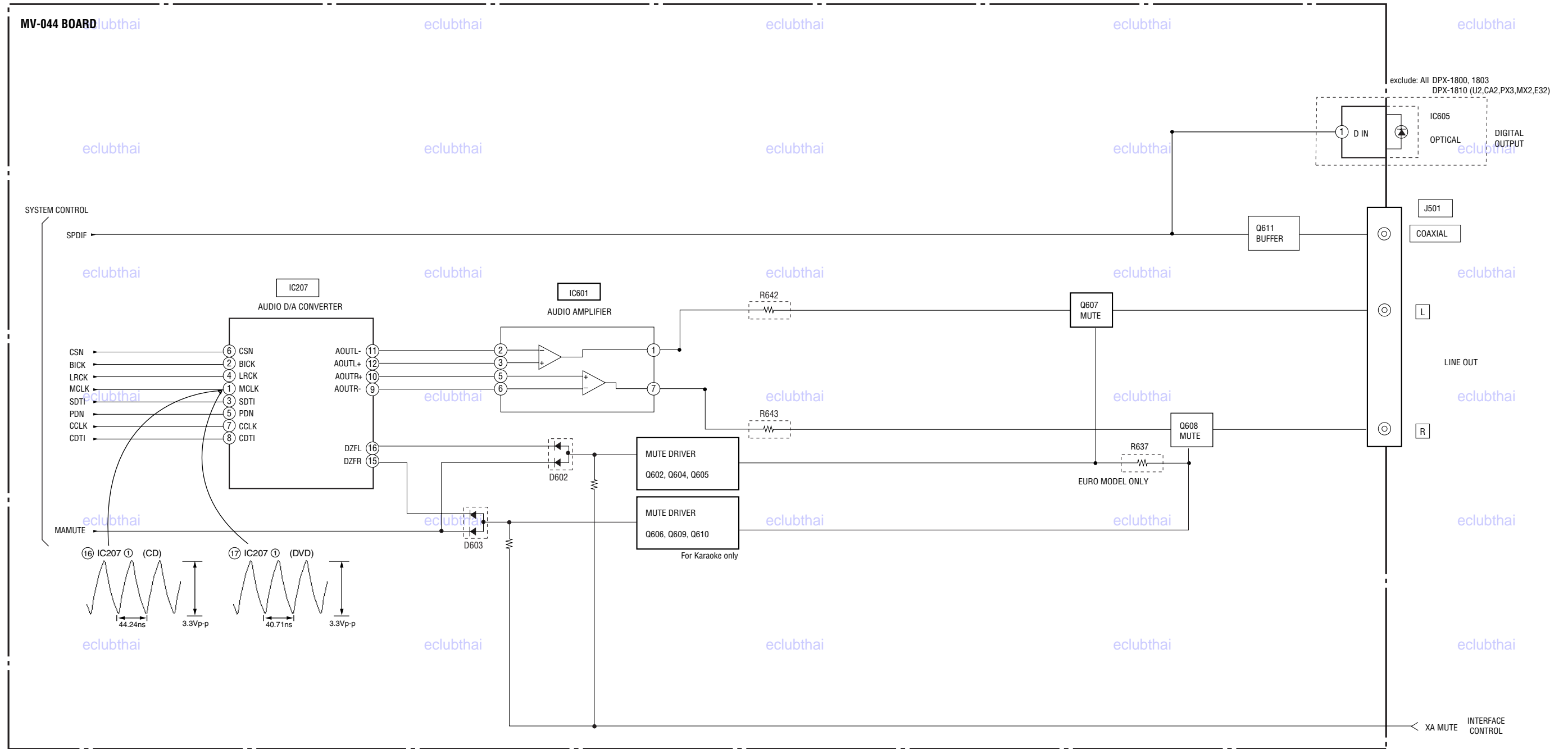
3-2. SYSTEM CONTROL/SIGNAL PROCESSOR BLOCK DIAGRAM



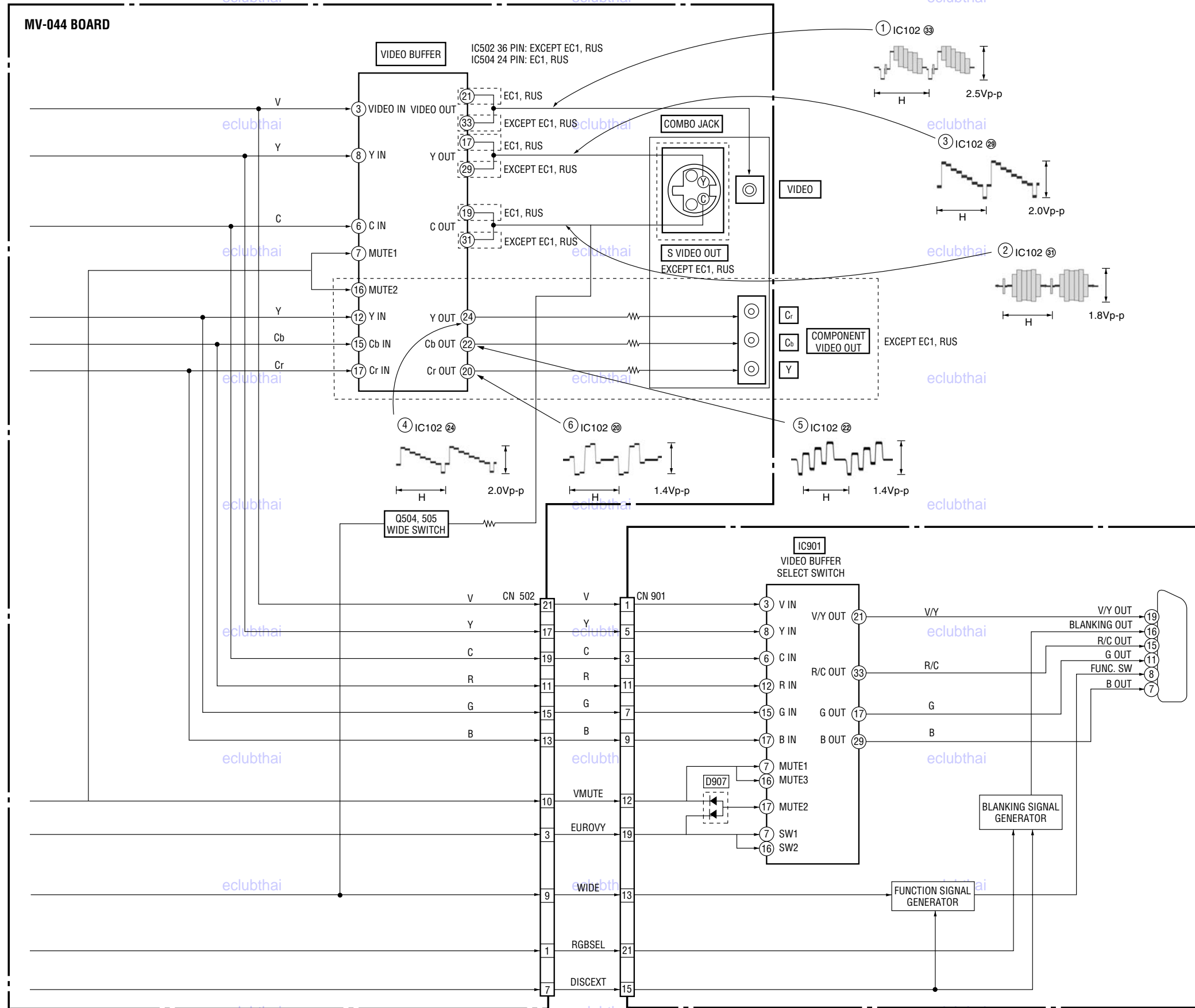
3-3. RF/SERVO BLOCK DIAGRAM



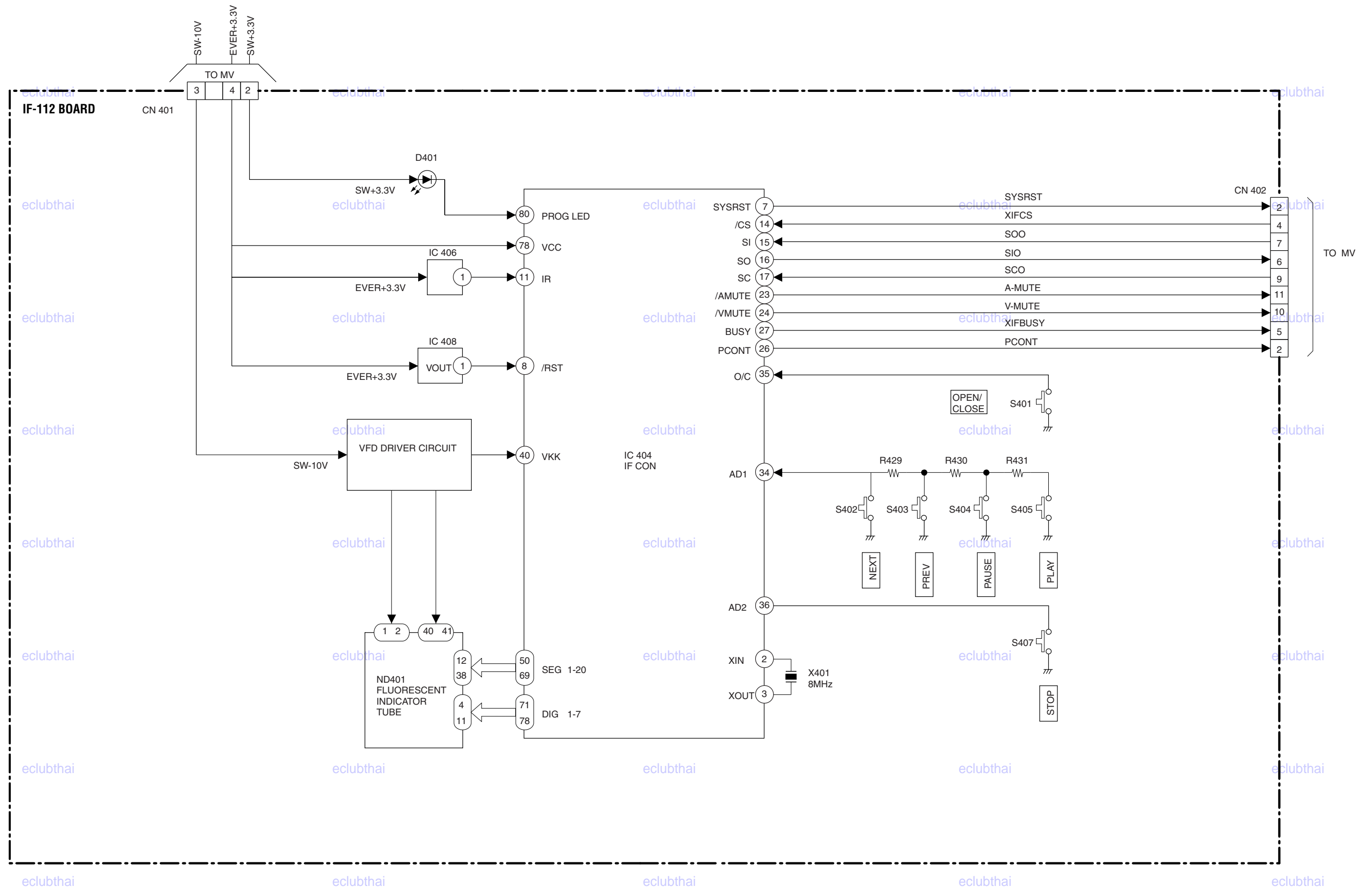
3-4. AUDIO BLOCK DIAGRAM



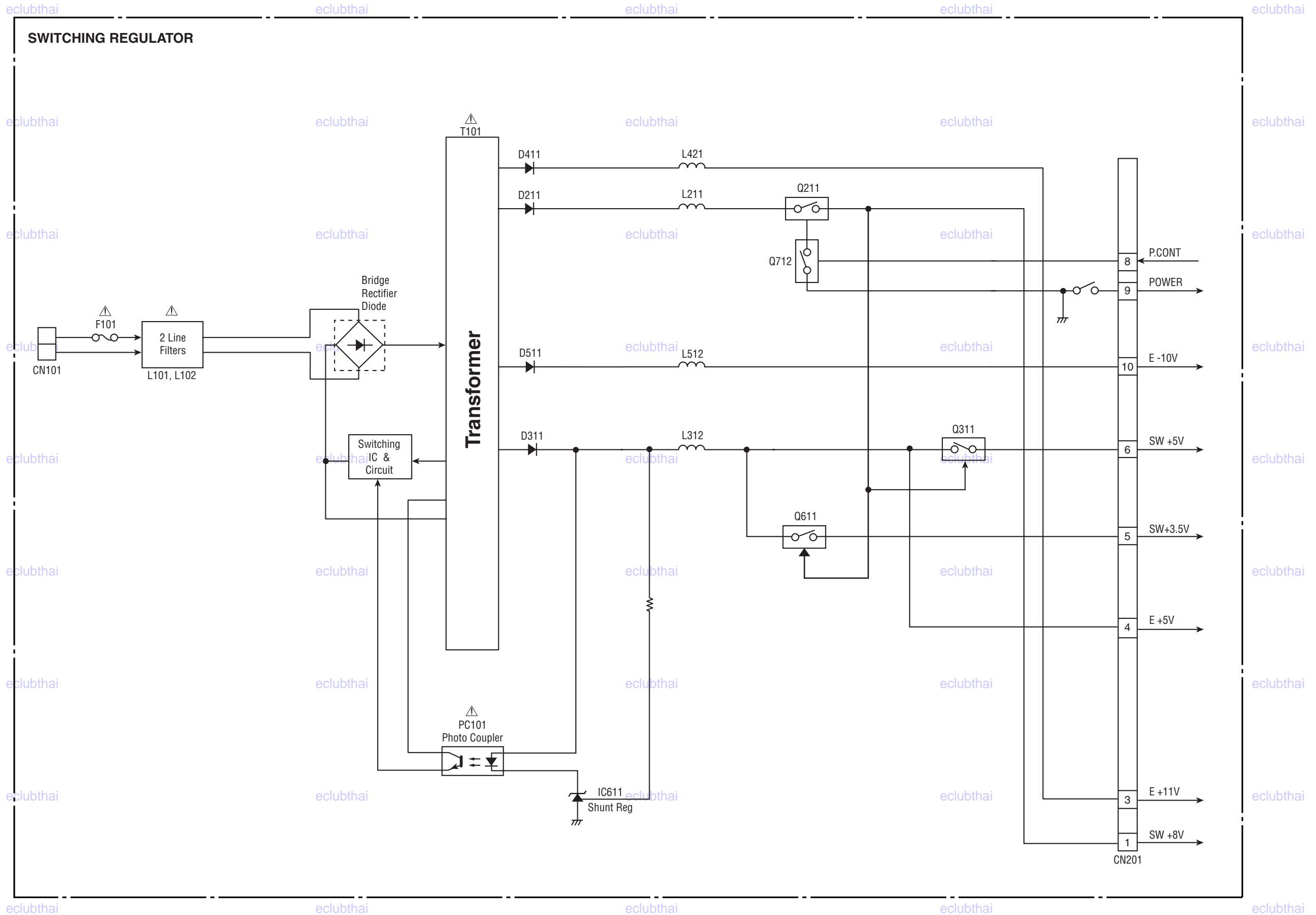
3-5. VIDEO BLOCK DIAGRAM



3-6. INTERFACE CONTROL BLOCK DIAGRAM



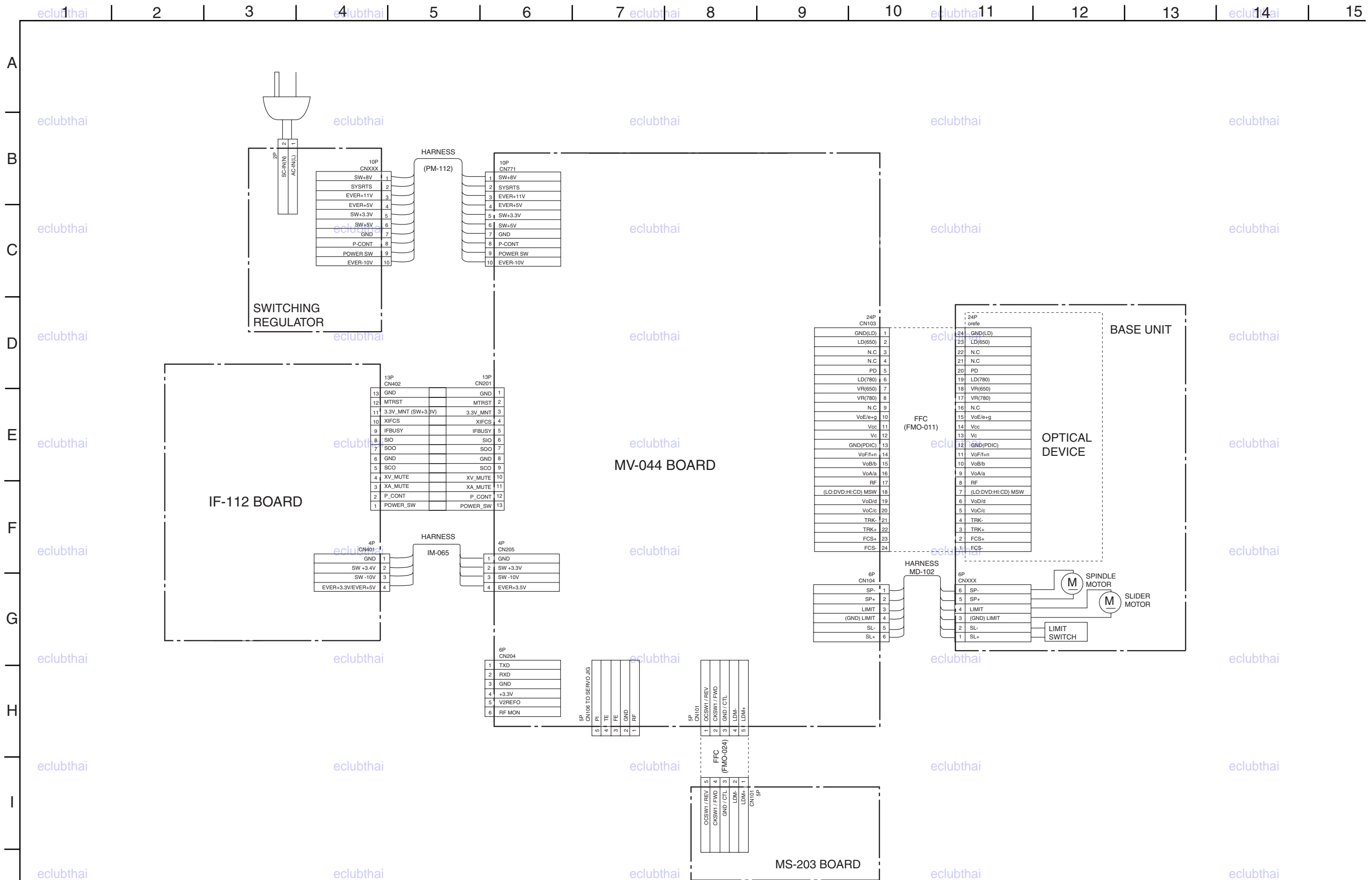
3-7. POWER BLOCK DIAGRAM





**SECTION 4**  
**PRINTED WIRING BOARDS AND SCHEMATIC DIAGRAMS**

**4-1. FRAME SCHEMATIC DIAGRAM**



## 4-2. PRINTED WIRING BOARDS AND SCHEMATIC DIAGRAMS

**THIS NOTE IS COMMON FOR WIRING BOARDS AND SCHEMATIC DIAGRAMS.**  
(In addition to this, the necessary note is printed in each block)

### For printed wiring boards:

- — : indicates a lead wire mounted on the component side.
- — : indicates a lead wire mounted on the printed side.
- : Through hole.
- : Pattern from the side which enables seeing. (The other layers' patterns are not indicated.)

### Caution:

Pattern face side: Parts on the pattern face side seen from (Side A) the pattern face are indicated.  
Parts face side: Parts on the parts face side seen from (Side B) the parts face are indicated.

### Abbreviation

- CA2 : Canada model
- PX3 : PX model
- MX2 : Mexico model
- E32 : Latin model
- BR4 : Brazil model
- HK2 : Hong Kong model
- SP6 : GA model
- TW1 : Taiwan model
- KR2 : Korea model
- EA4 : Saudi Arabia model
- ME2 : Middle East model
- ME5 : India model
- AU2 : Australia model
- CN6 : China model
- AR2 : Argentina model
- U2 : US model
- IR2 : Iran model

### For schematic diagrams:

- All capacitors are in  $\mu\text{F}$  unless otherwise noted.  $\text{pF}$  :  $\mu\text{F}$ . 50V or less are not indicated except for electrolytics and tantalums.
- All resistors are in ohms, 1/4W (Chip resistors : 1/10W) un-less otherwise specified.  $\text{k}\Omega = 1000\Omega$ ,  $\text{M}\Omega = 1000\text{k}\Omega$ .
- Caution when replacing chip parts. New parts must be attached after removal of chip. Be careful not to heat the minus side of tantalum capacitor, because it is damaged by the heat.
- All variable and adjustable resistors have characteristic curve B, unless otherwise noted.
- : non flammable resistor.
- : fusible resistor.
- : panel designation.
- △ : internal component.
- : adjustment for repair.
- : B+ Line.
- : B- Line.
- Circled numbers refer to waveforms.
- Voltages are dc between measurement point.
- Readings are taken with a color-bar signal on DVD reference disc and when playing CD reference disc.
- Readings are taken with a digital multimeter (DC 10M $\Omega$ ).
- Voltage variations may be noted due to normal production tolerances.

### Note:

The components identified by mark △ or dotted line with mark △ are critical for safety. Replace only with part number specified.

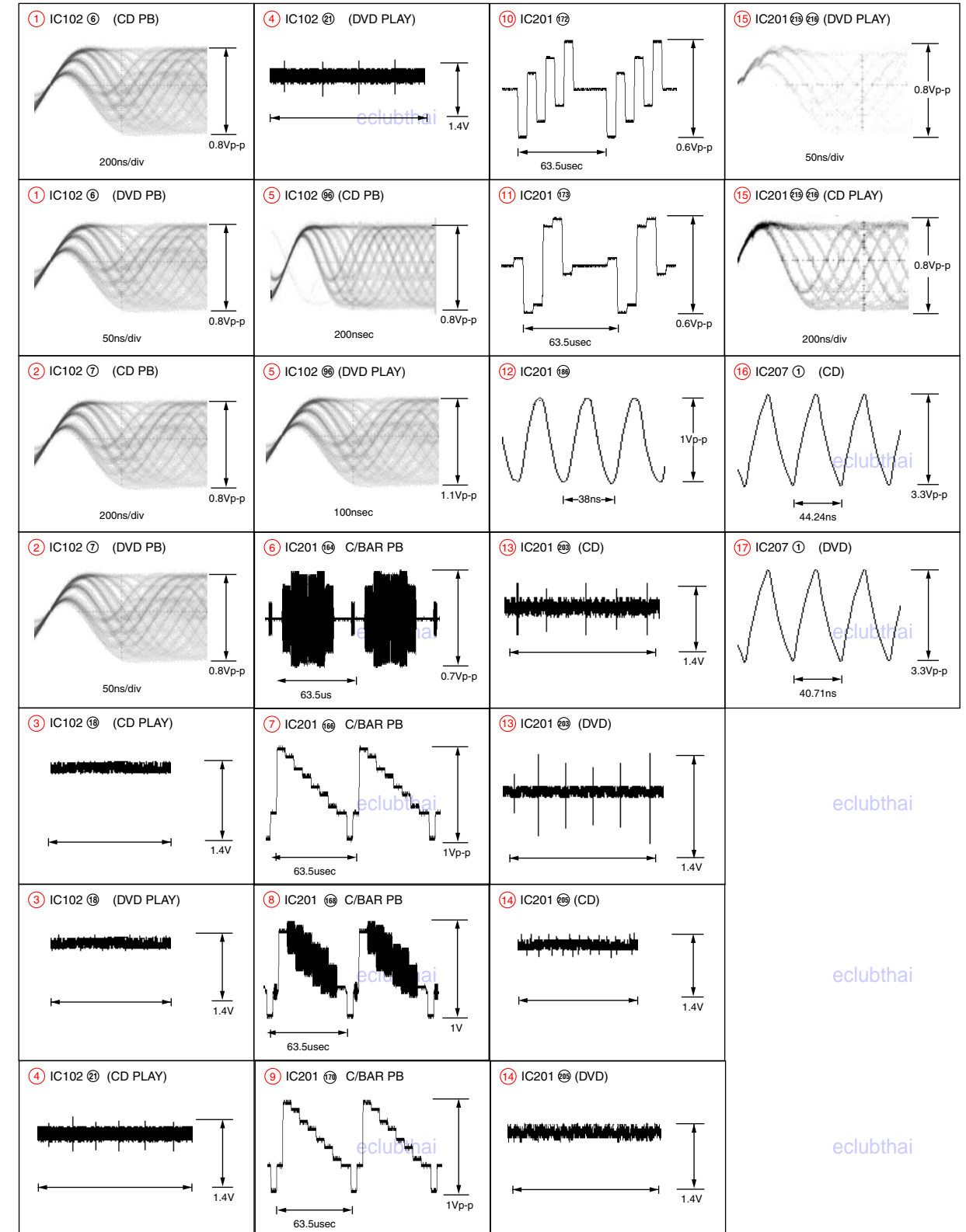
### Note:

Les composants identifiés par une marque △ sont critiques pour la sécurité. Ne les remplacer que par une pièce portant le numéro spécifié.


When indicating parts by reference number, please include the board name.

## 4-3. WAVEFORM

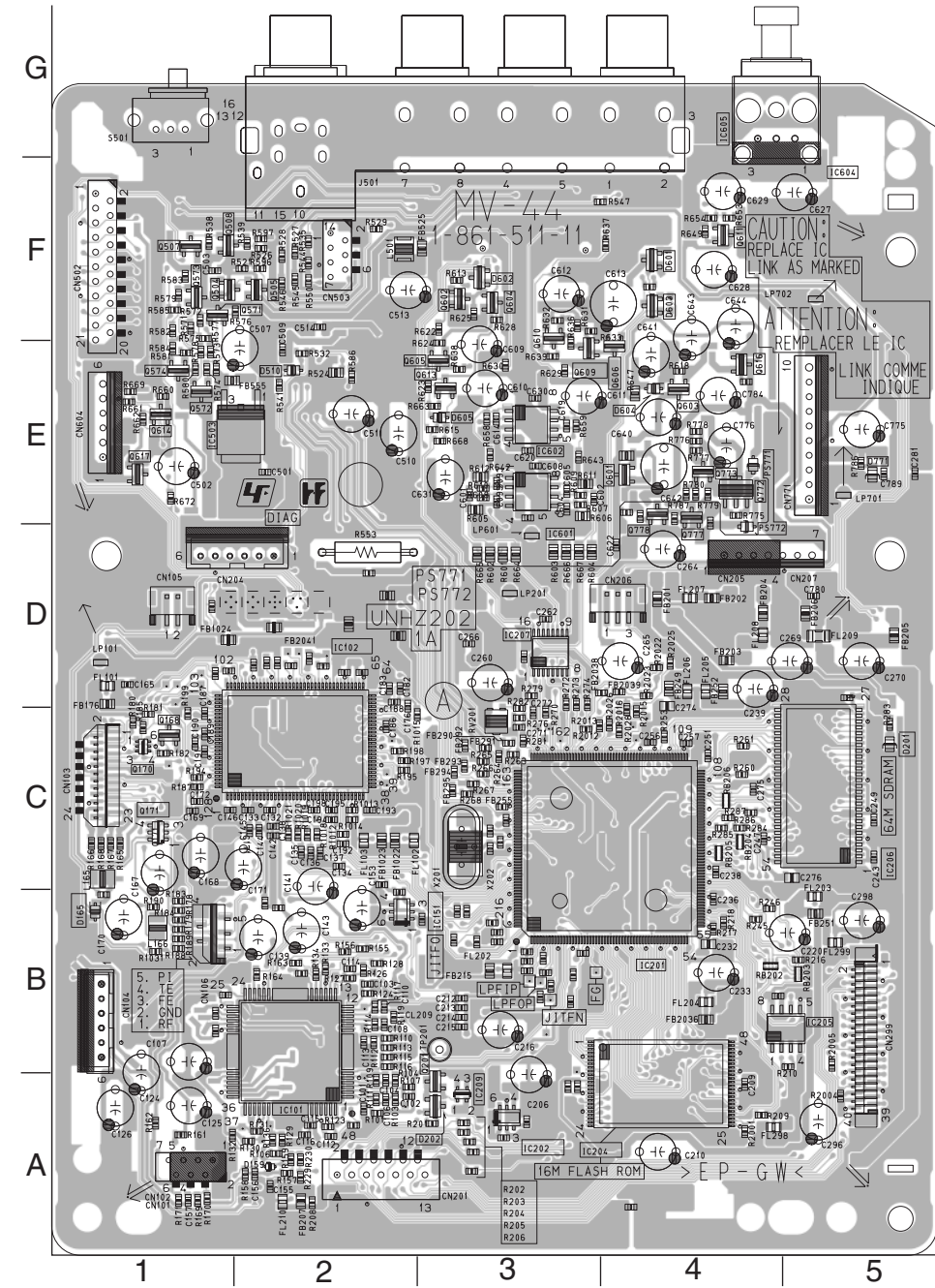
### MV-044 BOARD



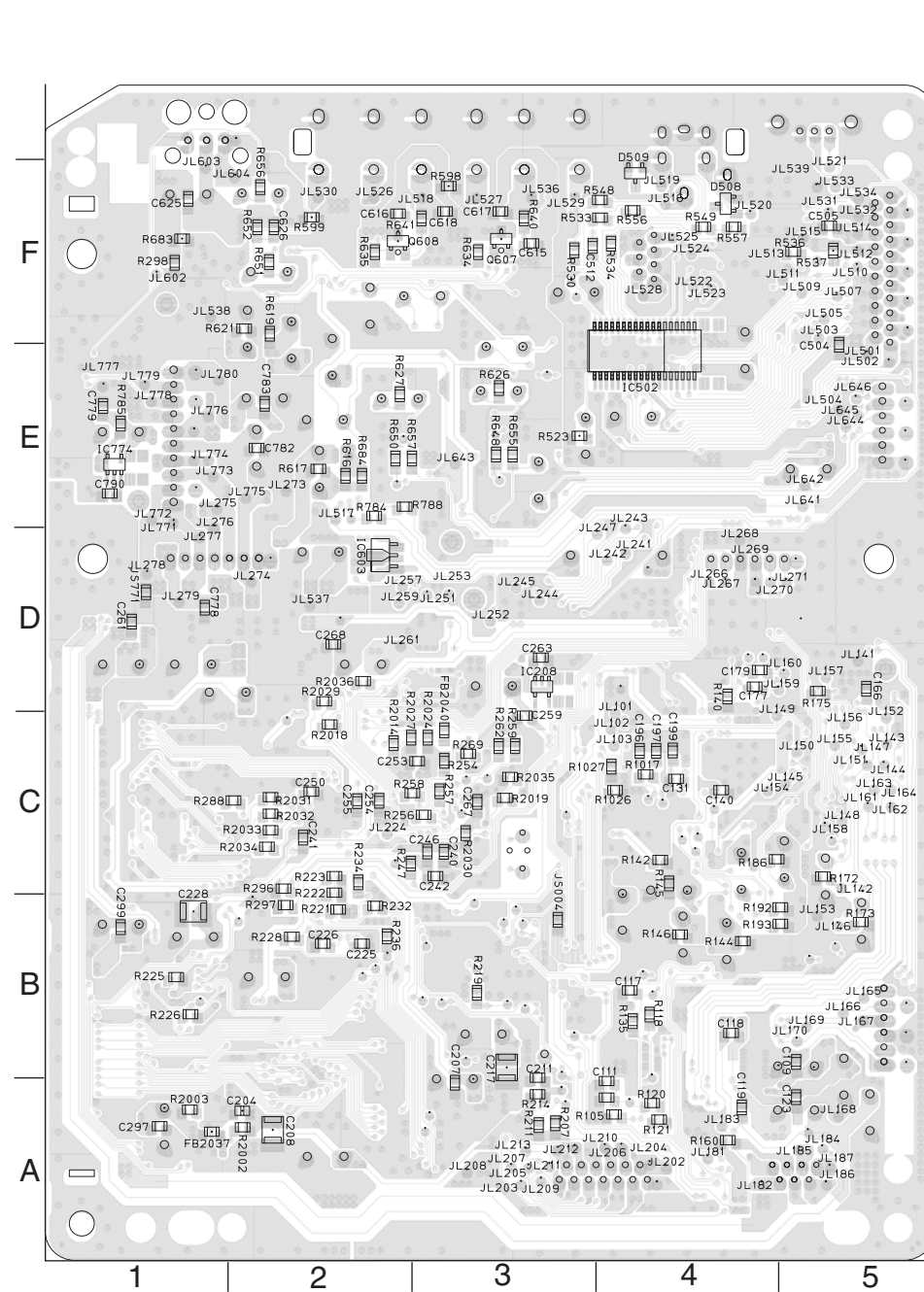
**MV-044 (DRIVE, CPU, SERVO-DSP, AVDEC, VIDEO, AUDIO, PS THROUGH) PRINTED WIRING BOARD**

•  : Uses unleaded solder.

**MV-044 BOARD SIDE A**

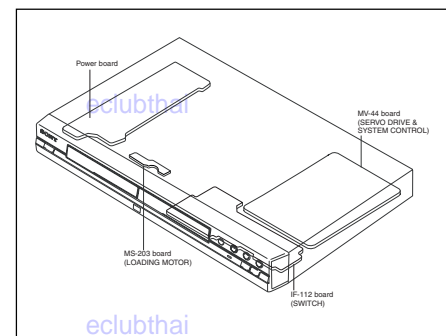


**MV-044 BOARD SIDE B**



**MV-044 BOARD**

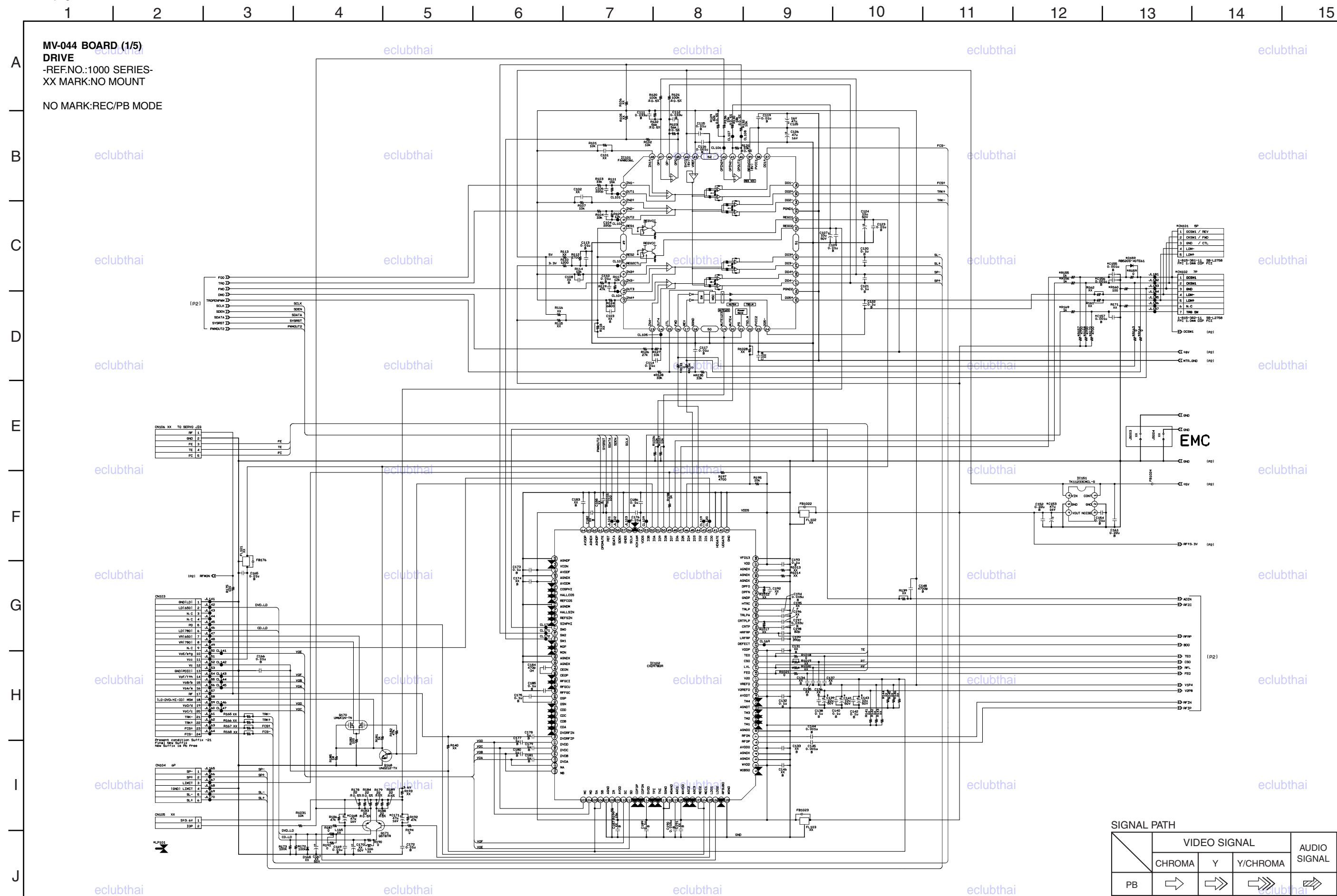
A SIDE		B SIDE	
IC101	A-2	IC208	D-3
IC102	D-2	IC502	E-4
IC151	B-3	IC603	D-2
IC201	B-4	IC774	E-1
IC202	A-3		
IC204	A-3	Q607	F-3
IC205	B-5	Q608	F-3
IC206	C-5		
IC207	D-3	D508	F-4
IC209	A-3	D509	F-4
IC503	E-1		
IC601	D-3		
IC602	E-3		
IC604	F-5		
IC605	G-4		
Q168	C-1		
Q170	C-1		
Q171	C-1		
Q201	B-3		
Q504	E-1		
Q505	F-2		
Q507	F-1		
Q508	F-2		
Q571	F-2		
Q572	E-1		
Q573	F-1		
Q574	E-1		
Q601	E-4		
Q602	F-3		
Q603	E-4		
Q604	F-3		
Q605	E-3		
Q606	E-4		
Q609	E-3		
Q610	E-3		
Q611	F-4		
Q613	E-3		
Q614	E-1		
Q616	E-4		
Q617	E-1		
Q772	E-4		
Q773	E-4		
Q777	D-4		
Q778	D-4		
D165	B-1		
D201	C-5		
D202	A-3		
D510	E-2		
D601	F-4		
D602	F-3		
D603	F-4		
D604	F-4		
D605	E-3		
D771	E-5		



**For printed wiring board**  
There are a few cases that the part printed on this diagram isn't mounted in this model.

**For Schematic Diagram**

- Refer to page 4-5 for printed wiring board of MV-044 board.
- Refer to page 4-4 for waveform



eclubthai

eclubthai

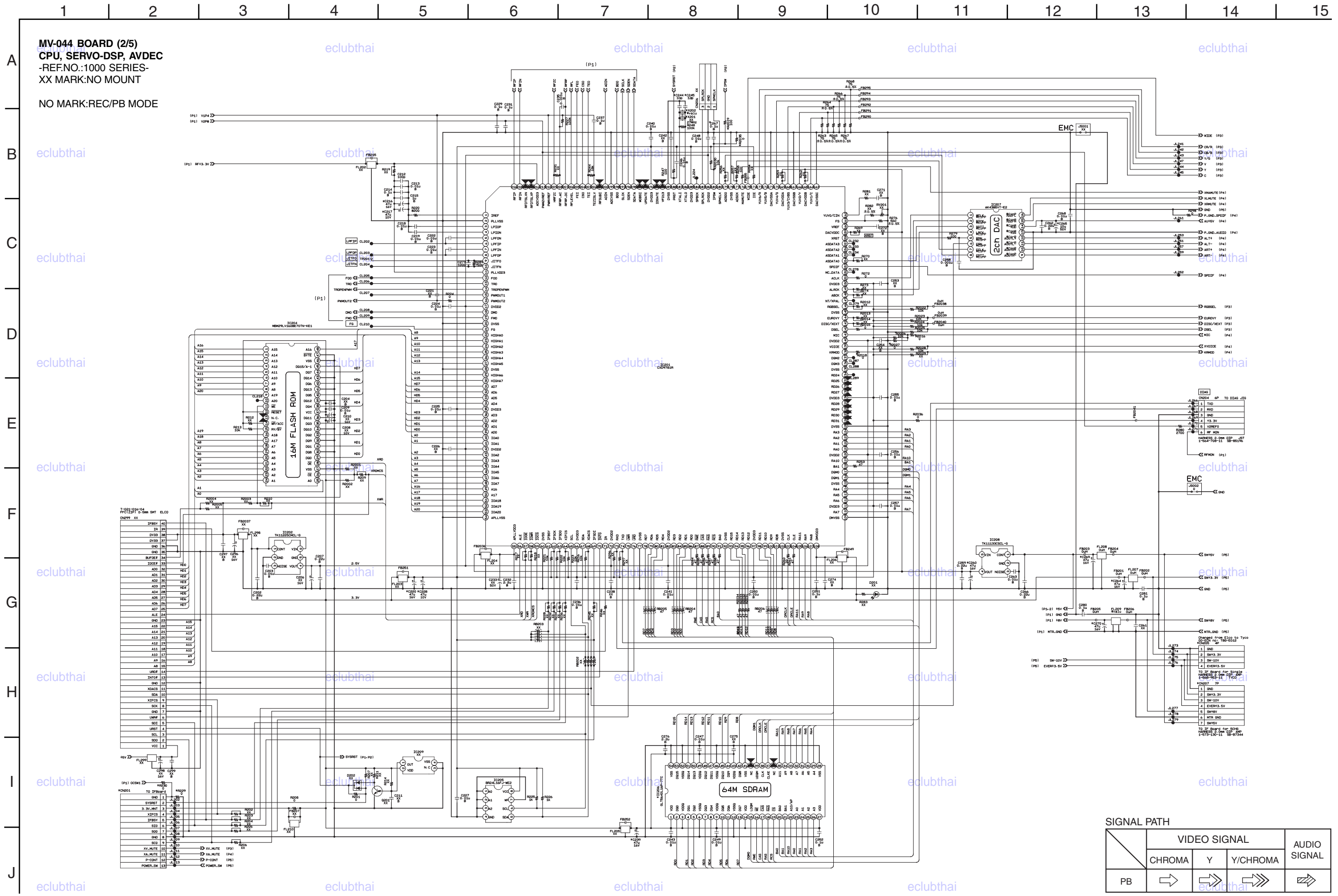
eclubthai

eclubthai

eclubthai

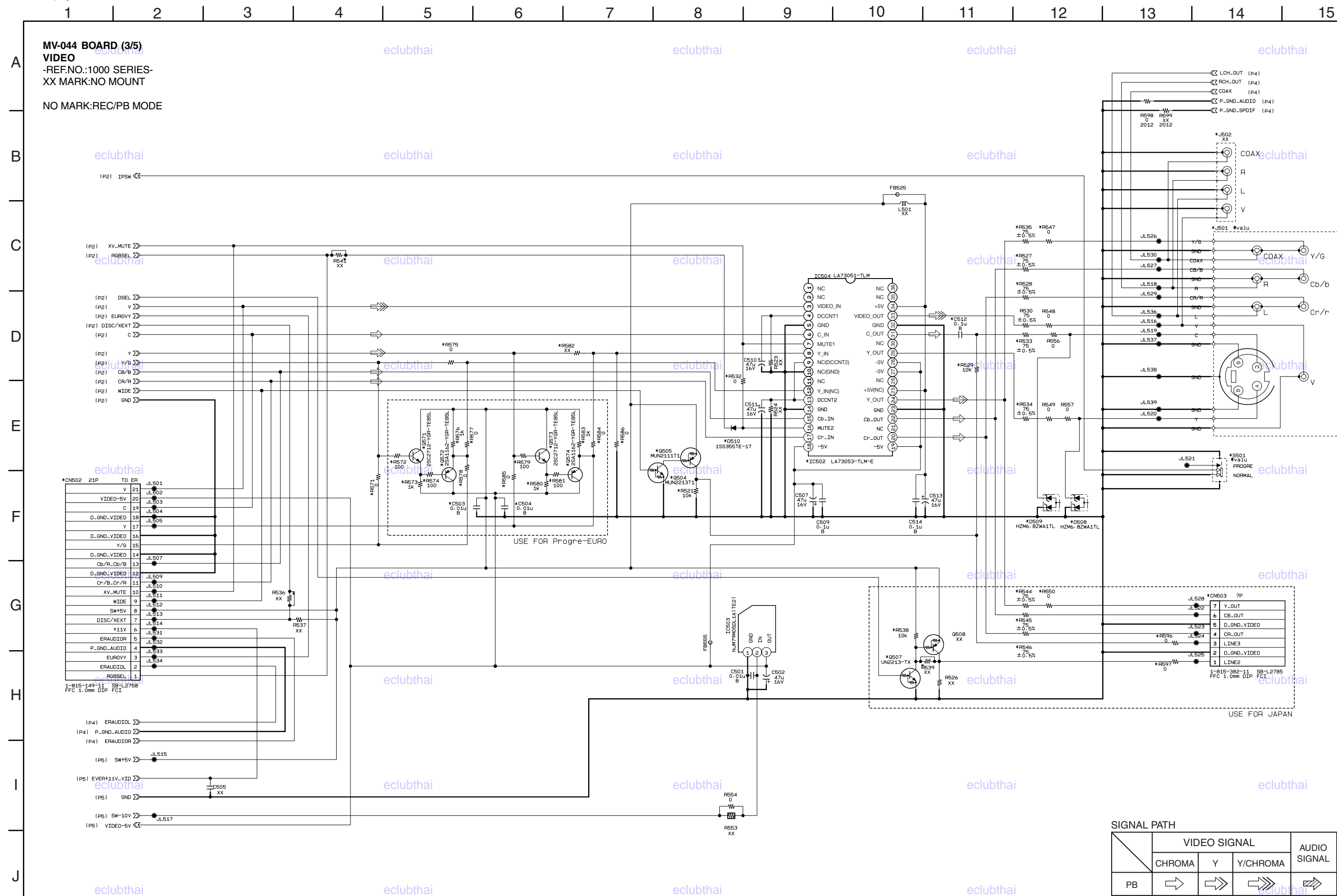
**For Schematic Diagram**

- Refer to page 4-5 for printed wiring board of MV-044 board.
- Refer to page 4-4 for waveform



**For Schematic Diagram**

- Refer to page 4-5 for printed wiring board of MV-044 board.
- Refer to page 4-4 for waveform



**SIGNAL PATH**

	VIDEO SIGNAL			AUDIO SIGNAL
	CHROMA	Y	Y/CHROMA	
PB	→	⇒	⇒⇒	⇒⇒⇒

eclubthai

eclubthai

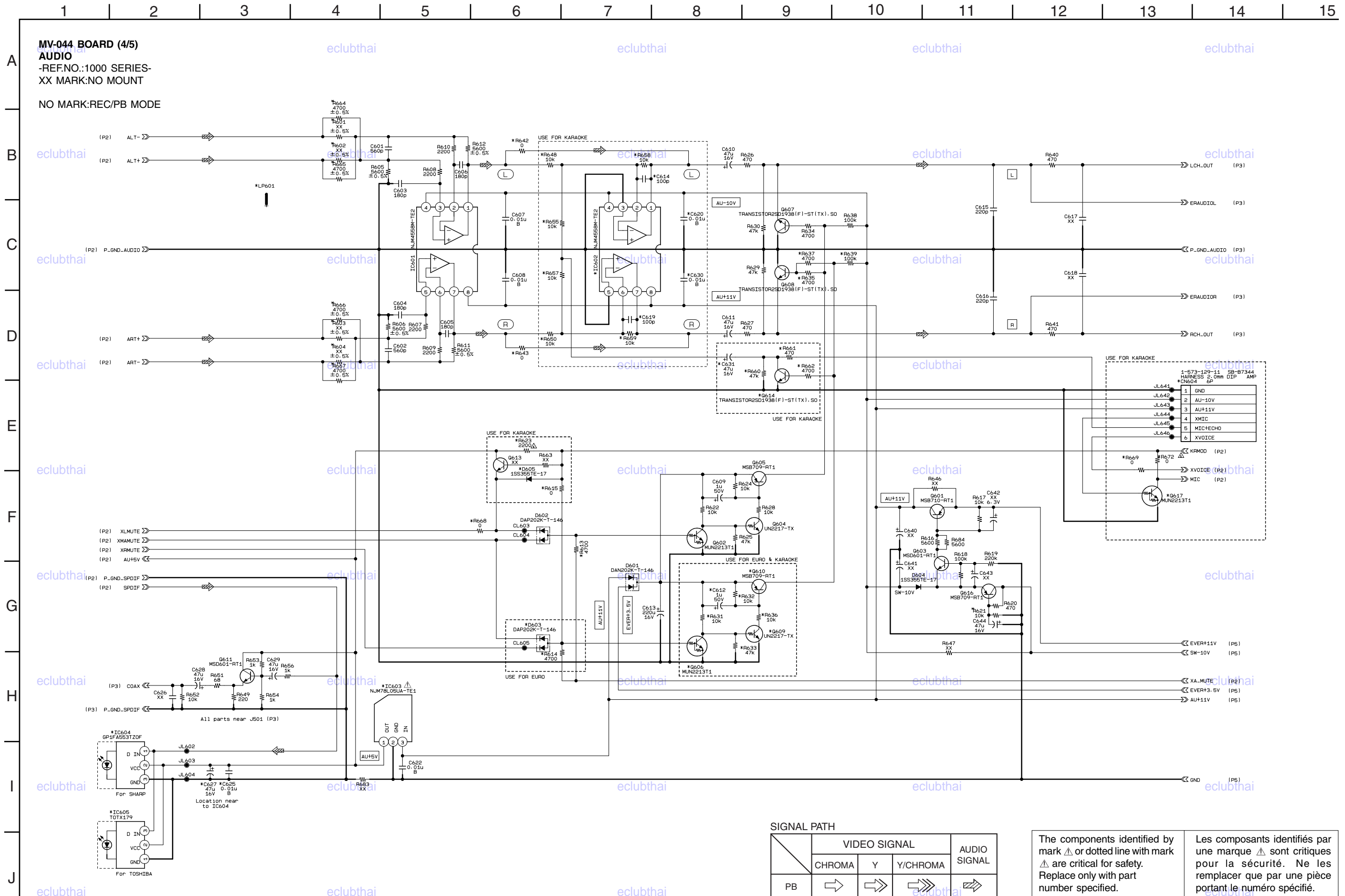
eclubthai

eclubthai

eclubthai

**For Schematic Diagram**

- Refer to page 4-5 for printed wiring board of MV-044 board.
- Refer to page 4-4 for waveform



**SIGNAL PATH**

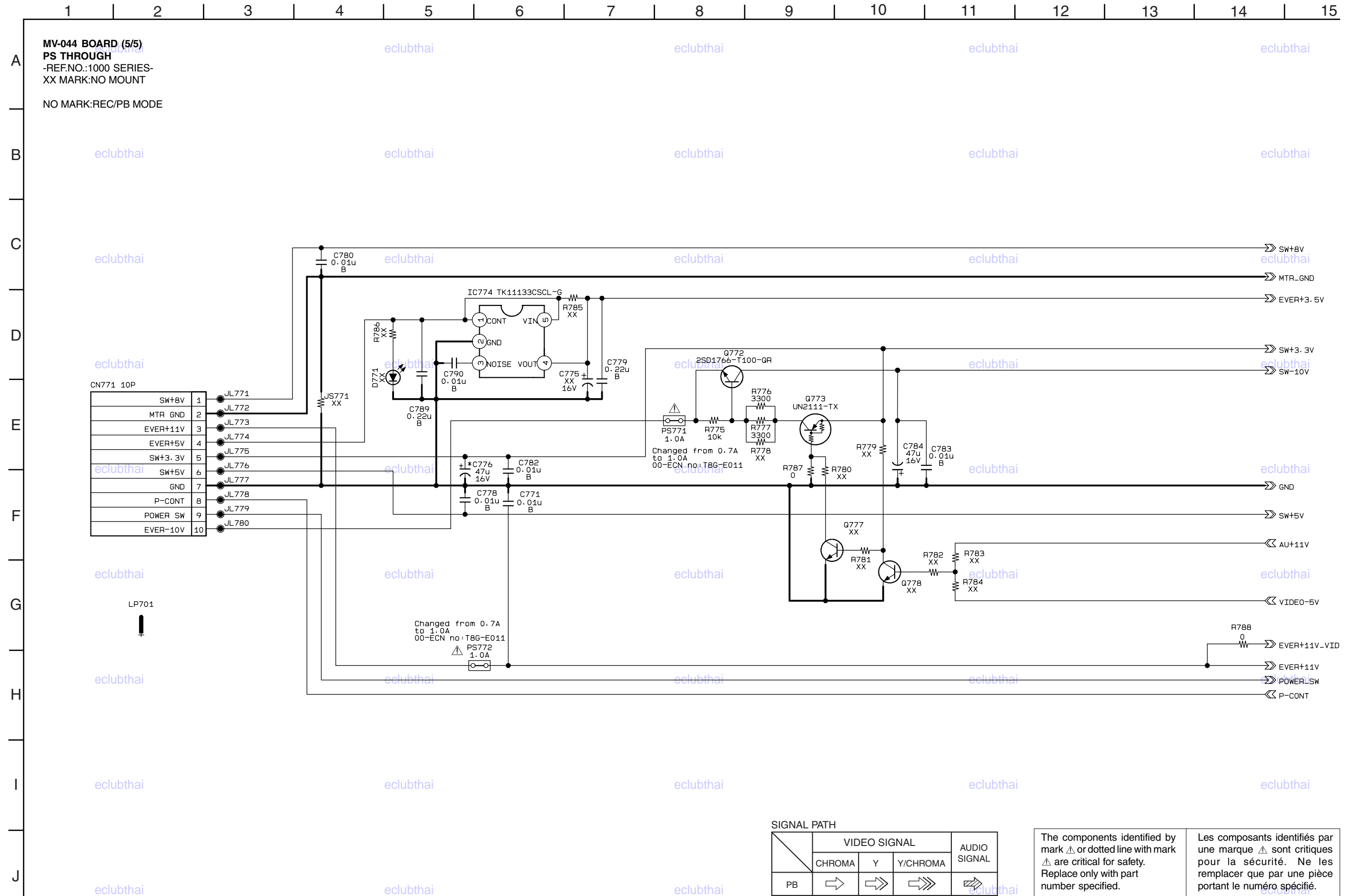
	VIDEO SIGNAL			AUDIO SIGNAL
	CHROMA	Y	Y/CHROMA	
PB	→	⇒	⇒⇒	⇒⇒⇒

The components identified by mark  $\Delta$  or dotted line with mark  $\Delta$  are critical for safety. Replace only with part number specified.

Les composants identifiés par une marque  $\Delta$  sont critiques pour la sécurité. Ne les remplacer que par une pièce portant le numéro spécifié.

**For Schematic Diagram**

- Refer to page 4-5 for printed wiring board of MV-044 board.
- Refer to page 4-4 for waveform



The components identified by mark  $\Delta$  or dotted line with mark  $\Delta$  are critical for safety. Replace only with part number specified.

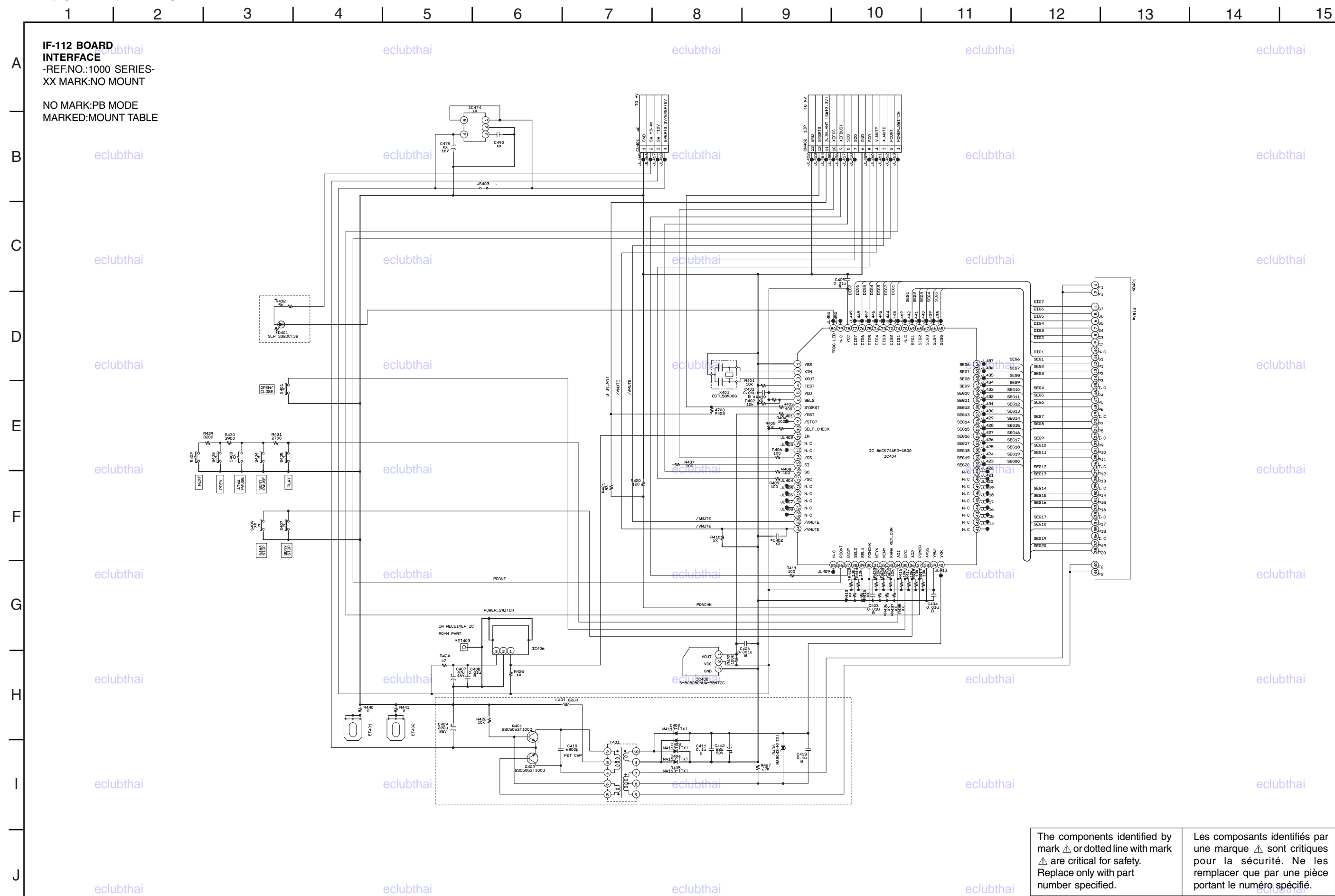
Les composants identifiés par une marque  $\Delta$  sont critiques pour la sécurité. Ne les remplacer que par une pièce portant le numéro spécifié.





**For Schematic Diagram**


• Refer to page 4-17 for printed wiring board of IF-112 board.



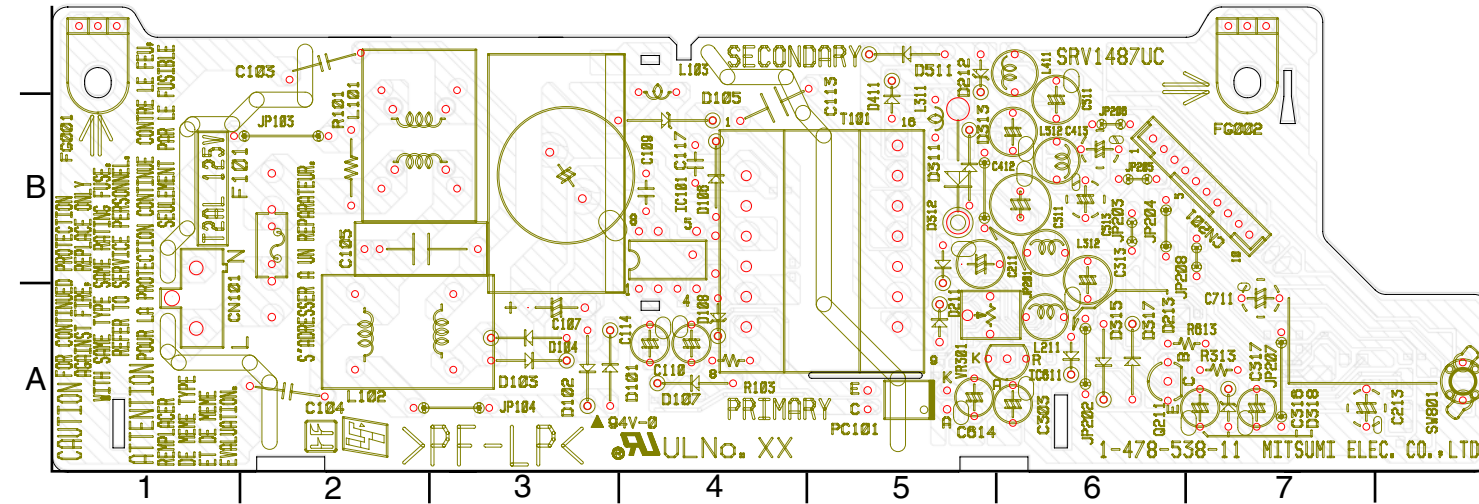
The components identified by mark  $\Delta$  or dotted line with mark  $\Delta$  are critical for safety. Replace only with part number specified.

Les composants identifiés par une marque  $\Delta$  sont critiques pour la sécurité. Ne les remplacer que par une pièce portant le numéro spécifié.

**POWER BLOCK (SRV1487UC) PRINTED WIRING BOARD**

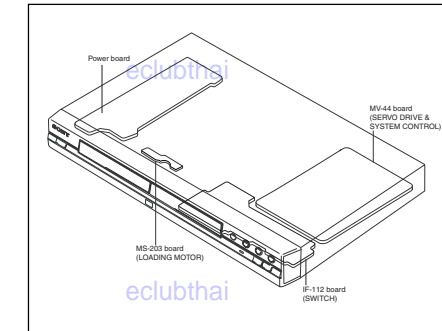
•  : Uses unleaded solder.

**POWER BOARD (SRV1487UC) (SIDE A)  
(US, CND, MX)**



**For printed wiring board**

There are a few cases that the part printed on this diagram isn't mounted in this model.



**POWER BOARD (SRV1487UC)**

**A SIDE**

IC101 B-4  
IC611 A-6

Q211 A-6

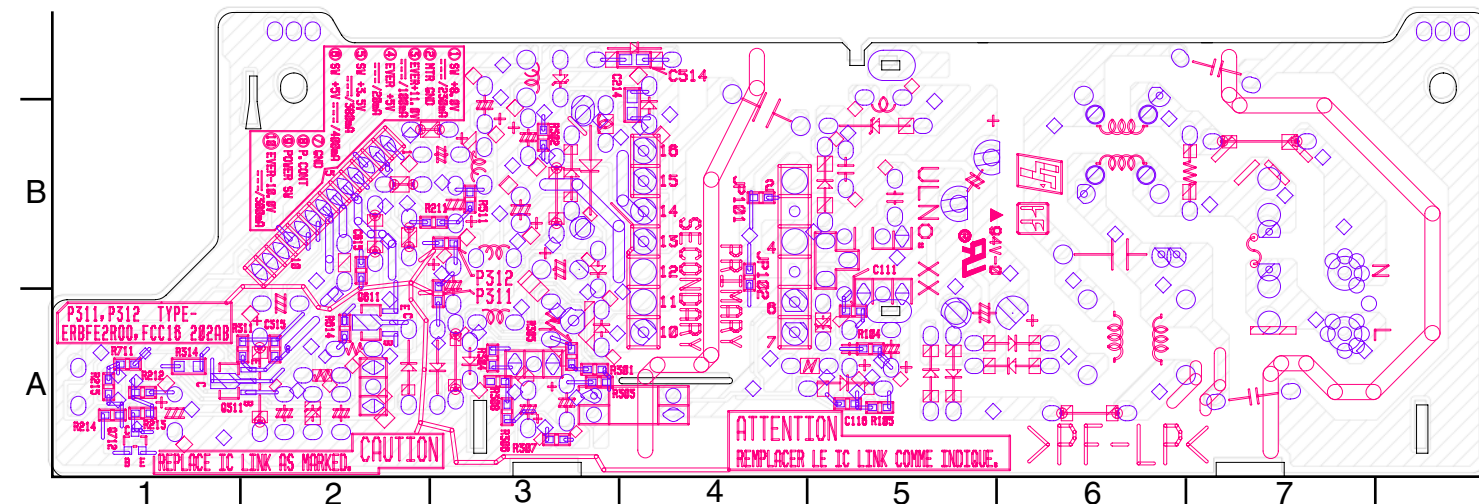
D101 A-4  
D102 A-3  
D103 A-3  
D104 A-3  
D105 B-4  
D106 B-4  
D107 A-4  
D108 A-4

D211 A-5  
D212 C-5  
D213 A-6  
D311 B-5  
D312 B-5  
D313 B-5  
D315 A-6  
D317 A-6  
D318 A-7  
D411 B-5  
D511 C-5

**B SIDE**

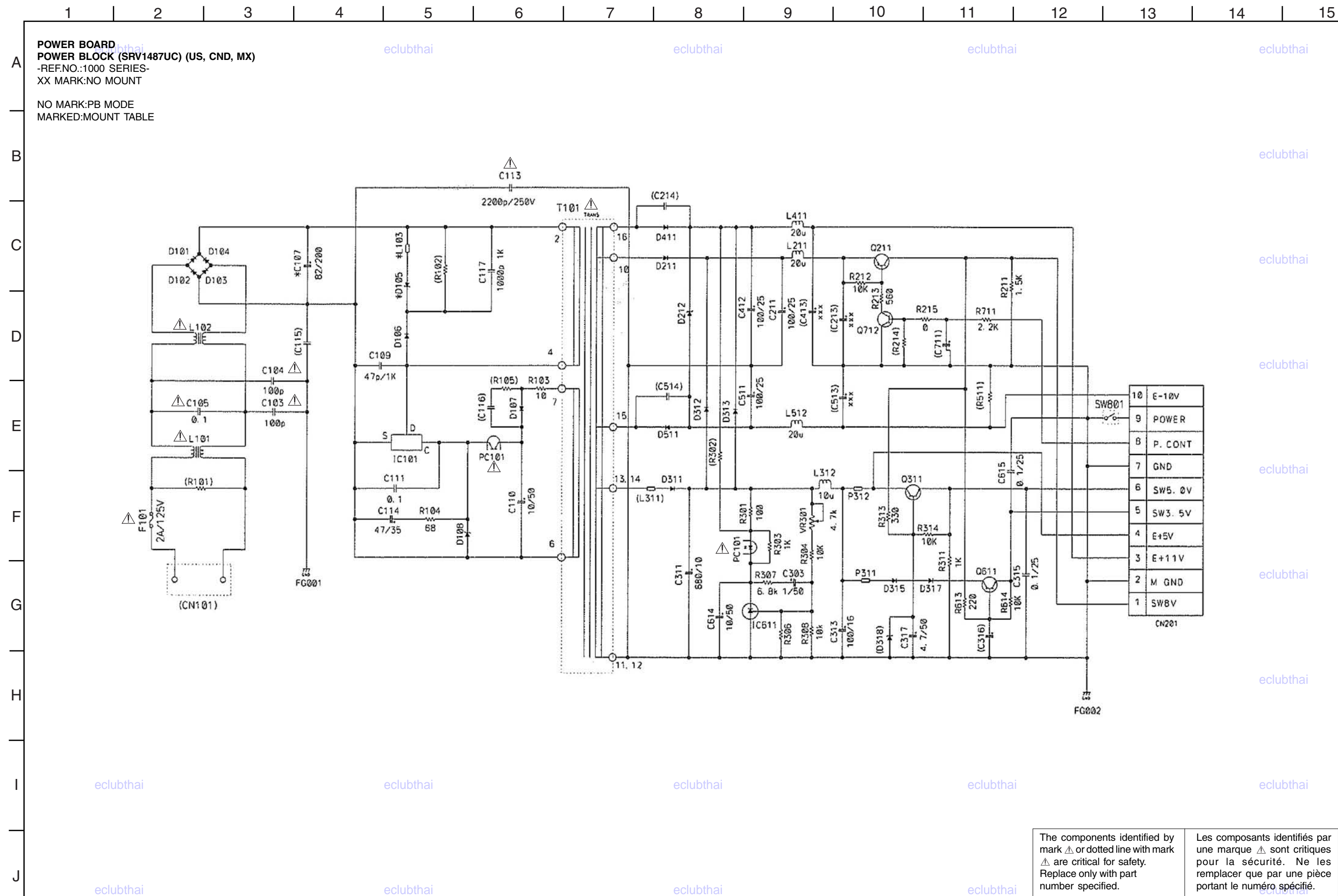
Q311 A-1  
Q611 A-2  
Q712 A-1

**POWER BOARD (SRV1487UC) (SIDE B)  
(US, CND, MX)**



**For Schematic Diagram**


• Refer to page 4-21 for printed wiring board of Power Board.



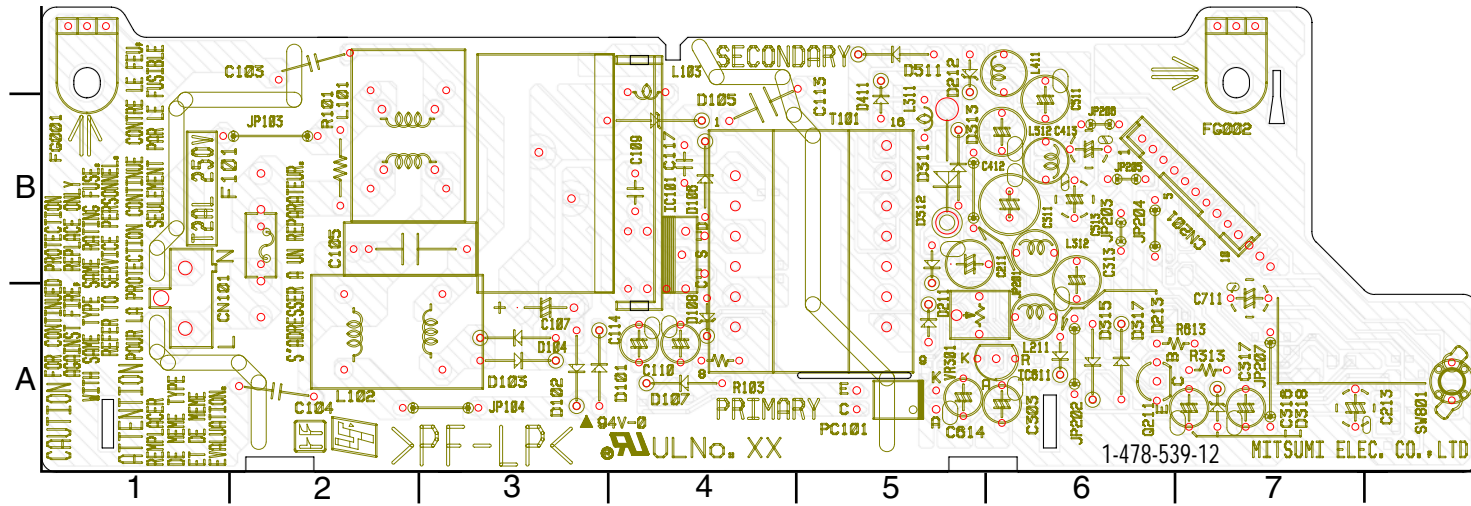
The components identified by mark  $\Delta$  or dotted line with mark  $\Delta$  are critical for safety. Replace only with part number specified.

Les composants identifiés par une marque  $\Delta$  sont critiques pour la sécurité. Ne les remplacer que par une pièce portant le numéro spécifié.

**POWER BLOCK (SRV1501WW) PRINTED WIRING BOARD**

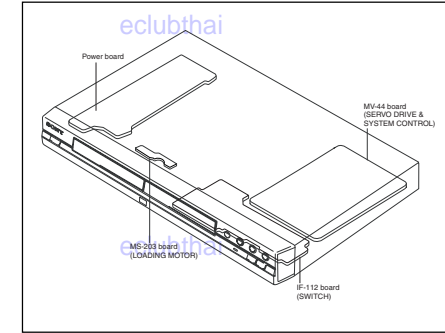
•  : Uses unleaded solder.

**POWER BOARD (SRV1501WW) (SIDE A)  
(E, SP, AUS)**

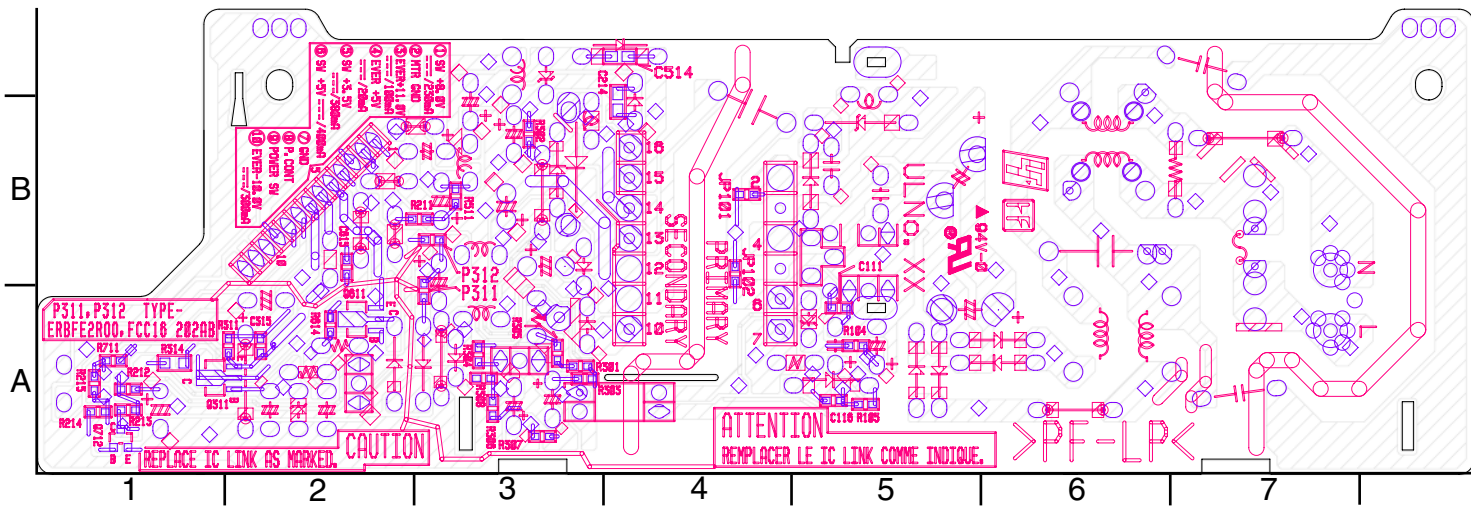


For printed wiring board

There are a few cases that the part printed on this diagram isn't mounted in this model.



**POWER BOARD (SRV1501WW) (SIDE B)  
(E, SP, AUS)**



**POWER BOARD (SRV1501WW)**

**A SIDE**

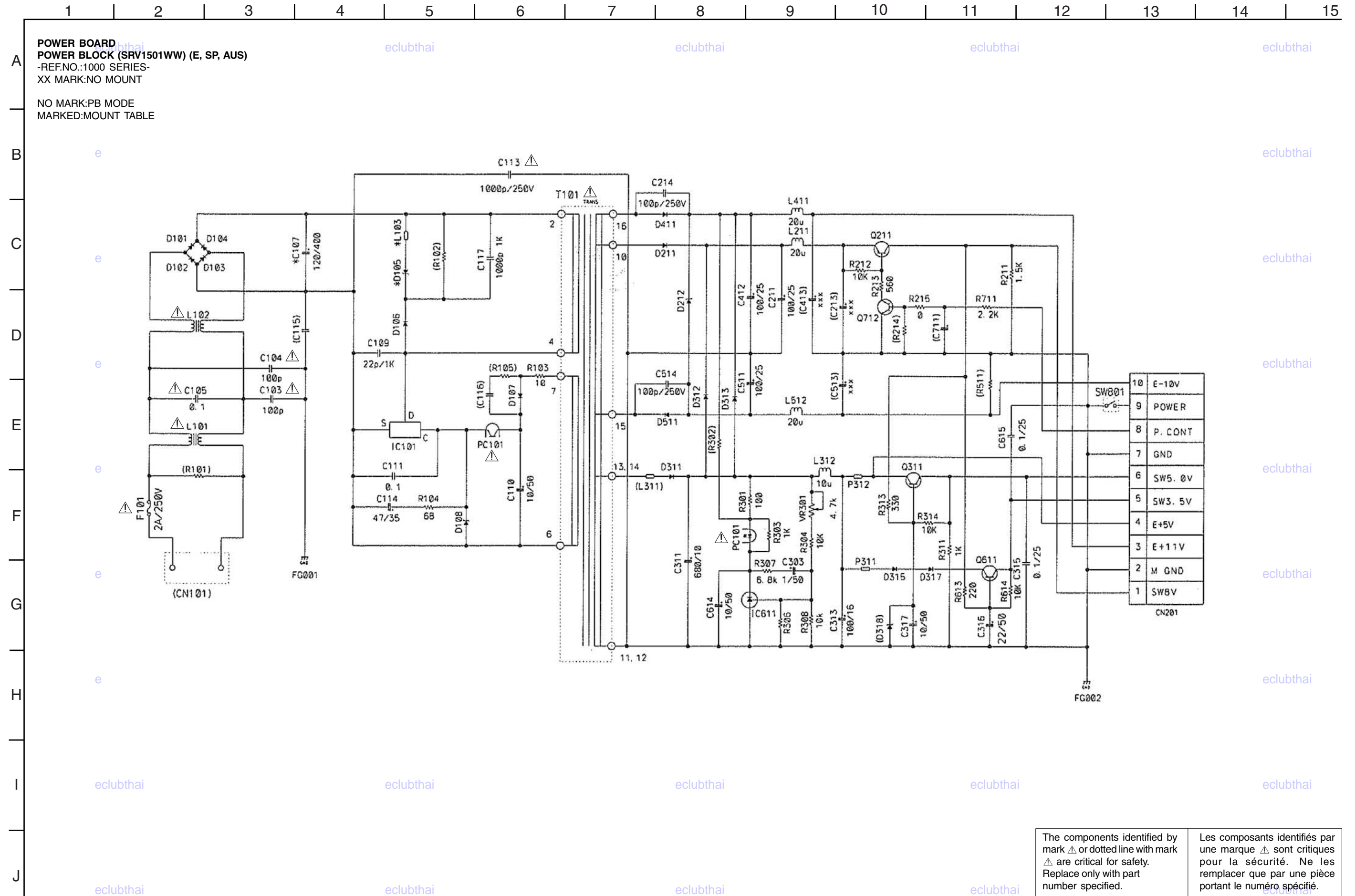
- IC101 B-4
- IC611 A-6
- Q211 A-6
- D101 A-4
- D102 A-3
- D103 A-3
- D104 A-3
- D105 B-4
- D106 B-4
- D107 A-4
- D108 A-4
- D211 A-5
- D212 C-5
- D213 A-6
- D311 B-5
- D312 B-5
- D313 B-5
- D315 A-6
- D317 A-6
- D318 A-7
- D411 B-5
- D511 C-5

**B SIDE**

- Q311 A-1
- Q611 A-2
- Q712 A-1

**For Schematic Diagram**

• Refer to page 4-25 for printed wiring board of Power Board.



The components identified by mark  $\Delta$  or dotted line with mark  $\Delta$  are critical for safety. Replace only with part number specified.

Les composants identifiés par une marque  $\Delta$  sont critiques pour la sécurité. Ne les remplacer que par une pièce portant le numéro spécifié.



**MV-044**

Ref. No.	Part No.	Description	Remark	Ref. No.	Part No.	Description	Remark
		<CAPACITOR>		C166	1-162-970-91	CAP, CERAMIC 10000PF B (1608) 10.00% 25V 0.01U	
				C168	1-104-660-91	CAP, ELECT 47UF 20.00% 16V	
				C169	1-162-970-91	CAP, CERAMIC 10000PF B (1608) 10.00% 25V 0.01U	
C104	1-164-230-91	CAP, CERAMIC 220PF CH (1608) 5.00% 50V		C171	1-104-660-91	CAP, ELECT 47UF 20.00% 16V	
C106	1-164-230-91	CAP, CERAMIC 220PF CH (1608) 5.00% 50V		C172	1-162-970-91	CAP, CERAMIC 10000PF B (1608) 10.00% 25V 0.01U	
C107	1-126-964-91	CAP, ELECT 10UF 20.00% 50V		C173	1-107-826-91	CAP, CHIP CERAMIC 100000PF B 10.00% 16V 0.1U	
C109	1-162-970-91	CAP, CERAMIC 10000PF B (1608) 10.00% 25V 0.01U		C175	1-107-826-91	CAP, CHIP CERAMIC 100000PF B 10.00% 16V 0.1U	
C110	1-162-970-91	CAP, CERAMIC 10000PF B (1608) 10.00% 25V 0.01U		C176	1-162-970-91	CAP, CERAMIC 10000PF B (1608) 10.00% 25V 0.01U	
C111	1-164-677-91	CAP, CERAMIC 33000PF B (1608) 10.00% 16V 0.033U		C177	1-165-908-91	CAP, CERAMIC 1000000PF B 10% (1608) 10V 1U	
C112	1-164-677-91	CAP, CERAMIC 33000PF B (1608) 10.00% 16V 0.033U		C178	1-165-908-91	CAP, CERAMIC 1000000PF B 10% (1608) 10V 1U	
C113	1-162-970-91	CAP, CERAMIC 10000PF B (1608) 10.00% 25V 0.01U		C179	1-165-908-91	CAP, CERAMIC 1000000PF B 10% (1608) 10V 1U	
C114	1-162-970-91	CAP, CERAMIC 10000PF B (1608) 10.00% 25V 0.01U		C180	1-165-908-91	CAP, CERAMIC 1000000PF B 10% (1608) 10V 1U	
C115	1-162-970-91	CAP, CERAMIC 10000PF B (1608) 10.00% 25V 0.01U		C181	1-165-908-91	CAP, CERAMIC 1000000PF B 10% (1608) 10V 1U	
C116	1-162-964-91	CAP, CHIP CERAMIC 1000PF B (1608) 10.00% 50V 0.001U		C184	1-164-315-91	CAP, CERAMIC 470PF CH (1608) 5.00% 50V	
C117	1-162-970-91	CAP, CERAMIC 10000PF B (1608) 10.00% 25V 0.01U		C185	1-107-826-91	CAP, CHIP CERAMIC 100000PF B 10.00% 16V 0.1U	
C119	1-162-970-91	CAP, CERAMIC 10000PF B (1608) 10.00% 25V 0.01U		C186	1-107-826-91	CAP, CHIP CERAMIC 100000PF B 10.00% 16V 0.1U	
C120	1-107-826-91	CAP, CHIP CERAMIC 100000PF B 10.00% 16V 0.1U		C189	1-107-826-91	CAP, CHIP CERAMIC 100000PF B 10.00% 16V 0.1U	
C121	1-107-826-91	CAP, CHIP CERAMIC 100000PF B 10.00% 16V 0.1U		C190	1-164-245-91	CAP, CERAMIC 15000PF B (1608) 10.00% 25V 0.015U	
C122	1-107-826-91	CAP, CHIP CERAMIC 100000PF B 10.00% 16V 0.1U		C193	1-107-826-91	CAP, CHIP CERAMIC 100000PF B 10.00% 16V 0.1U	
C123	1-162-970-91	CAP, CERAMIC 10000PF B (1608) 10.00% 25V 0.01U		C194	1-164-245-91	CAP, CERAMIC 15000PF B (1608) 10.00% 25V 0.015U	
C124	1-126-964-91	CAP, ELECT 10UF 20.00% 50V		C197	1-164-677-91	CAP, CERAMIC 33000PF B (1608) 10.00% 16V 0.033U	
C125	1-104-660-91	CAP, ELECT 47UF 20.00% 16V		C198	1-162-926-91	CAP, CERAMIC 82PF CH (1608) 5.00% 50V	
C126	1-104-660-91	CAP, ELECT 47UF 20.00% 16V		C199	1-164-392-91	CAP, CERAMIC 390PF CH (1608) 5.00% 50V	
C132	1-107-826-91	CAP, CHIP CERAMIC 100000PF B 10.00% 16V 0.1U		C202	1-115-467-91	CAP, CHIP CERAMIC 0.22UF B (1608) 10.00% 10V 0.22U	
C138	1-107-826-91	CAP, CHIP CERAMIC 100000PF B 10.00% 16V 0.1U		C203	1-162-970-91	CAP, CERAMIC 10000PF B (1608) 10.00% 25V 0.01U	
C139	1-126-964-91	CAP, ELECT 10UF 20.00% 50V		C207	1-115-467-91	CAP, CHIP CERAMIC 0.22UF B (1608) 10.00% 10V 0.22U	
C140	1-107-826-91	CAP, CHIP CERAMIC 100000PF B 10.00% 16V 0.1U		C209	1-162-970-91	CAP, CERAMIC 10000PF B (1608) 10.00% 25V 0.01U	
C141	1-126-964-91	CAP, ELECT 10UF 20.00% 50V		C212	1-162-927-91	CAP, CERAMIC 100PF CH (1608) 5.00% 50V	
C142	1-107-826-91	CAP, CHIP CERAMIC 100000PF B 10.00% 16V 0.1U		C213	1-162-970-91	CAP, CERAMIC 10000PF B (1608) 10.00% 25V 0.01U	
C143	1-126-964-91	CAP, ELECT 10UF 20.00% 50V		C214	1-107-826-91	CAP, CHIP CERAMIC 100000PF B 10.00% 16V 0.1U	
C144	1-162-966-91	CAP, CERAMIC 2200PF B (1608) (NS355(BR4)/NS575P(AR2/BR4)) 10.00% 50V 0.0022U		C215	1-165-908-91	CAP, CERAMIC 1000000PF B 10% (1608) 10V 1U	
C145	1-162-966-91	CAP, CERAMIC 2200PF B (1608) (NS355(BR4)/NS575P(AR2/BR4)) 10.00% 50V 0.0022U		C216	1-104-660-91	CAP, ELECT 47UF 20.00% 16V	
C148	1-162-968-91	CAP, CHIP CERAMIC 4700PF B (1608) 10.00% 50V 0.0047U		C218	1-162-970-91	CAP, CERAMIC 10000PF B (1608) 10.00% 25V 0.01U	
C152	1-115-467-91	CAP, CHIP CERAMIC 0.22UF B (1608) 10.00% 10V 0.22U		C219	1-162-970-91	CAP, CERAMIC 10000PF B (1608) 10.00% 25V 0.01U	
C153	1-104-660-91	CAP, ELECT 47UF 20.00% 16V		C220	1-104-660-91	CAP, ELECT 47UF 20.00% 16V	
C154	1-162-970-91	CAP, CERAMIC 10000PF B (1608) 10.00% 25V 0.01U		C222	1-162-970-91	CAP, CERAMIC 10000PF B (1608) 10.00% 25V 0.01U	
C155	1-162-964-91	CAP, CHIP CERAMIC 1000PF B (1608) 10.00% 50V 0.001U		C223	1-162-970-91	CAP, CERAMIC 10000PF B (1608) 10.00% 25V 0.01U	
C156	1-162-964-91	CAP, CHIP CERAMIC 1000PF B 10.00% 50V 0.001U		C224	1-162-970-91	CAP, CERAMIC 10000PF B (1608) 10.00% 25V 0.01U	
C161	1-115-467-91	CAP, CHIP CERAMIC 0.22UF B (1608) 10.00% 10V					
C165	1-162-970-91	CAP, CERAMIC 10000PF B (1608) 10.00% 25V 0.01U					



eclubthai

eclubthai

eclubthai

eclubthai

eclubthai

Ref. No.	Part No.	Description	Remark	Ref. No.	Part No.	Description	Remark
C225	1-162-970-91	CAP, CERAMIC 10000PF B (1608)	10.00% 25V 0.01U	C268	1-162-970-91	CAP, CERAMIC 10000PF B (1608)	10.00% 25V 0.01U
C227	1-162-970-91	CAP, CERAMIC 10000PF B (1608)	10.00% 25V 0.01U	C269	1-104-660-91	CAP, ELECT 47UF	20.00% 16V
C229	1-107-826-91	CAP, CHIP CERAMIC 100000PF B	10.00% 16V 0.1U	C270	1-104-660-91	CAP, ELECT 47UF	20.00% 16V
C231	1-107-826-91	CAP, CHIP CERAMIC 100000PF B	10.00% 16V 0.1U	C273	1-162-927-91	CAP, CERAMIC 100PF CH (1608)	5.00% 50V
C232	1-125-889-91	CAP, CHIP CERAMIC 2.2UF (2012)	10% 0V	C276	1-125-889-91	CAP, CHIP CERAMIC 2.2UF (2012)	10% 10V
C235	1-162-964-91	CAP, CHIP CERAMIC 1000PF B (1608)	10.00% 50V 0.001U	C280	1-107-826-91	CAP, CHIP CERAMIC 100000PF B	10.00% 16V 0.1U
C236	1-162-970-91	CAP, CERAMIC 10000PF B (1608)	10.00% 25V 0.01U	C281	1-107-826-91	CAP, CHIP CERAMIC 100000PF B	10.00% 16V 0.1U
C237	1-107-826-91	CAP, CHIP CERAMIC 100000PF B	10.00% 16V 0.1U	C296	1-104-660-91	CAP, ELECT 47UF (NS575P(MX2/E32/U2/CA2/PX3))	20.00% 16V
C239	1-104-660-91	CAP, ELECT 47UF	20.00% 16V	C297	1-162-970-91	CAP, CERAMIC 10000PF B (1608)	10.00% 25V 0.01U
C240	1-162-970-91	CAP, CERAMIC 10000PF B (1608)	10.00% 25V 0.01U	C298	1-104-660-91	CAP, ELECT 47UF (NS575P(MX2/E32/U2/CA2/PX3))	20.00% 16V
C241	1-162-970-91	CAP, CERAMIC 10000PF B (1608)	10.00% 25V 0.01U	C299	1-162-970-91	CAP, CERAMIC 10000PF B (1608)	10.00% 25V 0.01U
C243	1-162-970-91	CAP, CERAMIC 10000PF B (1608)	10.00% 25V 0.01U	C501	1-162-970-91	CAP, CERAMIC 10000PF B (1608)	10.00% 25V 0.01U
C244	1-162-915-91	CAP, CERAMIC 10PF CH (NS575P(MX2/E32/U2/CA2/PX3/AR2/BR4)/NS355(BR4))	0.50PF 50V	C502	1-104-660-91	CAP, ELECT 47UF	20.00% 16V
C244	1-162-916-91	CAP, CERAMIC 12PF CH (1608)	5.00% 50V	C507	1-104-660-91	CAP, ELECT 47UF	20.00% 16V
C245	1-162-916-91	CAP, CERAMIC 12PF CH (1608)	5.00% 50V	C509	1-107-826-91	CAP, CHIP CERAMIC 100000PF B	10.00% 16V 0.1U
C245	1-162-915-91	CAP, CERAMIC 10PF CH (1608)	0.50PF 50V	C510	1-104-660-91	CAP, ELECT 47UF	20.00% 16V
C246	1-162-970-91	CAP, CERAMIC 10000PF B (1608)	10.00% 25V 0.01U	C511	1-104-660-91	CAP, ELECT 47UF	20.00% 16V
C247	1-162-970-91	CAP, CERAMIC 10000PF B (1608)	10.00% 25V 0.01U	C512	1-107-826-91	CAP, CHIP CERAMIC 100000PF B	10.00% 16V 0.1U
C248	1-162-970-91	CAP, CERAMIC 10000PF B (1608)	10.00% 25V 0.01U	C513	1-104-660-91	CAP, ELECT 47UF	20.00% 16V
C249	1-162-970-91	CAP, CERAMIC 10000PF B (1608)	10.00% 25V 0.01U	C514	1-107-826-91	CAP, CHIP CERAMIC 100000PF B	10.00% 16V 0.1U
C250	1-162-970-91	CAP, CERAMIC 10000PF B (1608)	10.00% 25V 0.01U	C601	1-164-739-91	CAP, CERAMIC 560PF CH (1608)	5.00% 50V
C251	1-107-826-91	CAP, CHIP CERAMIC 100000PF B	10.00% 16V 0.1U	C602	1-164-739-91	CAP, CERAMIC 560PF CH (1608)	5.00% 50V
C252	1-107-826-91	CAP, CHIP CERAMIC 100000PF B	10.00% 16V 0.1U	C603	1-164-218-91	CAP, CERAMIC 180PF CH (1608)	5.00% 50V
C255	1-162-970-91	CAP, CERAMIC 10000PF B (1608)	10.00% 25V 0.01U	C604	1-164-218-91	CAP, CERAMIC 180PF CH (1608)	5.00% 50V
C256	1-162-970-91	CAP, CERAMIC 10000PF B (1608)	10.00% 25V 0.01U	C605	1-164-218-91	CAP, CERAMIC 180PF CH (1608)	5.00% 50V
C257	1-162-970-91	CAP, CERAMIC 10000PF B (1608)	10.00% 25V 0.01U	C606	1-164-218-91	CAP, CERAMIC 180PF CH (1608)	5.00% 50V
C258	1-162-964-91	CAP, CHIP CERAMIC 1000PF B (1608)	10.00% 50V 0.001U	C607	1-162-970-91	CAP, CERAMIC 10000PF B (1608)	10.00% 25V 0.01U
C259	1-115-467-91	CAP, CHIP CERAMIC 0.22UF B (1608)	10.00% 10V	C608	1-162-970-91	CAP, CERAMIC 10000PF B (1608)	10.00% 25V 0.01U
C260	1-104-660-91	CAP, ELECT 47UF	20.00% 16V	C609	1-126-960-91	CAP, ELECT 1.0UF	20.00% 50V
C262	1-115-467-91	CAP, CHIP CERAMIC 0.22UF B (1608)	10.00% 10V	C610	1-104-660-91	CAP, ELECT 47UF	20.00% 16V
C263	1-162-970-91	CAP, CERAMIC 10000PF B (1608)	10.00% 25V 0.01U	C611	1-104-660-91	CAP, ELECT 47UF	20.00% 16V
C264	1-104-660-91	CAP, ELECT 47UF	20.00% 16V	C613	1-126-934-91	CAP, ELECT 220UF	20.00% 16V
C265	1-126-964-91	CAP, ELECT 10UF	20.00% 50V	C615	1-164-230-91	CAP, CERAMIC 220PF CH (1608)	5.00% 50V
C266	1-115-467-91	CAP, CHIP CERAMIC 0.22UF B (1608)	10.00% 10V	C616	1-164-230-91	CAP, CERAMIC 220PF CH (1608)	5.00% 50V
C267	1-107-826-91	CAP, CHIP CERAMIC 100000PF B (EXCEPT NS355(BR4))	10.00% 16V 0.1U	C622	1-162-970-91	CAP, CERAMIC 10000PF B (1608)	10.00% 25V 0.01U
				C625	1-162-970-91	CAP, CERAMIC 10000PF B (1608)	10.00% 25V 0.01U
				C627	1-104-660-91	CAP, ELECT 47UF (NS575P(AU2/ME2/EA4/IR2/ME5/SP6/TW1/HK2/KR2/CH/AR2/BR4) (NS585P(ME2/CH)/NS507P(CH)/525P(CH))	20.00% 16V

**MV-044**

Ref. No.	Part No.	Description	Remark	Ref. No.	Part No.	Description	Remark
C628	1-104-660-91	CAP, ELECT 47UF	20.00% 16V	FB1022	1-469-670-21	FERRITE, EMI (SMD) (2012)	OUH %-3.3
C629	1-104-660-91	CAP, ELECT 47UF	20.00% 16V	FB1023	1-469-670-21	FERRITE, EMI (SMD) (2012)	OUH %-3.3
C644	1-104-660-91	CAP, ELECT 47UF	20.00% 16V	FB1024	1-469-324-21	FERRITE, EMI (SMD) (2012)	OUH %-3.3
C771	1-162-970-91	CAP, CERAMIC 10000PF B (1608)	10.00% 25V 0.01U	FB2036	1-469-670-21	FERRITE, EMI (SMD) (2012)	OUH %-3.3
C776	1-104-660-91	CAP, ELECT 47UF	20.00% 16V	FB2037	1-469-670-21	FERRITE, EMI (SMD) (2012)	OUH %-3.3
C778	1-162-970-91	CAP, CERAMIC 10000PF B (1608)	10.00% 25V 0.01U	FB2041	1-469-324-21	FERRITE, EMI (SMD) (2012)	OUH %-3.3
C779	1-115-467-91	CAP, CHIP CERAMIC 0.22UF B (1608)	10.00% 10V			<FILTER>	
C780	1-162-970-91	CAP, CERAMIC 10000PF B (1608)	10.00% 25V 0.01U	FL207	1-234-177-21	FILTER, CHIP EMI (NS575P(U2/CA2/CH)/NS507P(CH)/NS255P(CH)/NS585P(CH))	OUH %-3.3 OUH
C782	1-162-970-91	CAP, CERAMIC 10000PF B (1608)	10.00% 25V 0.01U	FL208	1-234-177-21	FILTER, CHIP EMI (NS575P(U2/CA2/CH)/NS507P(CH)/NS255P(CH)/NS585P(CH))	OUH %-3.3 OUH
C783	1-162-970-91	CAP, CERAMIC 10000PF B (1608)	10.00% 25V 0.01U	FL209	1-233-893-21	FILTER, CHIP EMI	
C784	1-104-660-91	CAP, ELECT 47UF	20.00% 16V	FL299	1-234-177-21	FILTER, CHIP EMI (NS575P(MX2/E32/U2/CA2/PX3))	OUH %-3.3
C789	1-115-467-91	CAP, CHIP CERAMIC 0.22UF B (1608)	10.00% 10V			<IC>	
C790	1-162-970-91	CAP, CERAMIC 10000PF B (1608)	10.00% 25V 0.01U	IC101	6-704-524-01	IC FAN8036L	
		<CONNECTOR>		IC102	6-704-471-01	IC CXD9780R	
CN101	1-815-381-11	CONNECTOR, FPC/FFC 5P		IC151	6-704-470-01	IC TK11233CMCL-G	
CN103	1-815-763-32	CONNECTOR, FFC/FPC 24P		IC201	6-704-472-01	IC CXD9781R	
CN104	1-564-708-11	PIN, CONNECTOR (SMALL TYPE) 6P		IC202	6-704-261-01	IC TK11225CMCL-G	
CN201	1-818-274-11	CONNECTOR, BOARD TO BOARD 13P		IC204	6-804-726-01	IC MR27V1602F-1EGTN (NS355:BR/NS501P/NS575P:US,CND,PX,E,MX,AR,BR)	
CN204	1-564-708-11	PIN, CONNECTOR (SMALL TYPE) 6P		IC204	6-804-728-01	IC MR27V1602F-1EJTN (NS575P:AUS,ME,EA,IR/NS585P:ME)	
CN205	1-568-953-11	PIN, CONNECTOR 4P		IC204	6-804-727-01	IC MR27V1602F-1EHTN (NS507P:CH/NS525P:CH/NS575P:KR,HK,SP,TW,CH/NS585P:CH)	
CN771	1-568-937-11	PIN, CONNECTOR 10P					
		<DIODE>					
D508	8-719-071-15	DIODE HZM6.8ZWA1TL					
D509	8-719-071-15	DIODE HZM6.8ZWA1TL					
D601	8-719-914-47	DIODE DAN202K-T-146					
D602	8-719-914-45	DIODE DAP202K-T-146					
D604	8-719-988-61	DIODE 1SS355TE-17					
		<FERRITE>		IC205	6-705-866-01	IC BR24L16FJ-WE2	
FB176	1-469-670-21	FERRITE, EMI (SMD) (2012)	OUH %-3.3				
FB201	1-469-324-21	FERRITE, EMI (SMD) (2012)	OUH %-3.3				
FB202	1-469-324-21	FERRITE, EMI (SMD) (2012)	OUH %-3.3				
FB203	1-469-324-21	FERRITE, EMI (SMD) (2012)	OUH %-3.3				
FB204	1-469-324-21	FERRITE, EMI (SMD) (2012)	OUH %-3.3	IC206	6-705-929-01	IC K4S641632H-UC75T	
FB205	1-469-324-21	FERRITE, EMI (SMD) (2012)	OUH %-3.3	IC207	6-705-515-01	IC AK4385VT-E2	
FB206	1-469-324-21	FERRITE, EMI (SMD) (2012)	OUH %-3.3	IC208	6-702-302-01	IC TK11133CSCL-G	
FB215	1-469-670-21	FERRITE, EMI (SMD) (2012)	OUH %-3.3	IC502	6-701-820-01	IC LA73053-TLM-E	
FB249	1-469-670-21	FERRITE, EMI (SMD) (2012)	OUH %-3.3	IC503	8-759-862-86	IC NJM79M05DL1A(TE2)	
FB251	1-469-670-21	FERRITE, EMI (SMD) (2012)	OUH %-3.3	IC601	8-759-249-16	IC NJM4558M-TE2	
FB252	1-469-670-21	FERRITE, EMI (SMD) (2012)	OUH %-3.3	IC603	8-759-711-59	IC NJM78L05UA-TE1	
FB255	1-469-118-21	FERRITE, EMI (SMD) (1608)	OUH %-3.3	IC605	6-600-009-01	IC TOTX179 (NS575P(AU2/ME2/EA4/IR2/ME5/SP6/TW1/HK2/KR2/CH/AR2/BR4) (NS507P(CH)/NS585P(ME2/CH)/NS525P(CH))	
FB290	1-469-118-21	FERRITE, EMI (SMD) (1608)	OUH %-3.3	IC774	6-702-302-01	IC TK11133CSCL-G	
FB291	1-469-118-21	FERRITE, EMI (SMD) (1608)	OUH %-3.3			<JACK>	
FB292	1-469-118-21	FERRITE, EMI (SMD) (1608)	OUH %-3.3	J501	1-828-495-11	JACK BLOCK, PIN (NS575P(MX2/E32/ME2/ME5))	
FB293	1-469-118-21	FERRITE, EMI (SMD) (1608)	OUH %-3.3				
FB294	1-469-118-21	FERRITE, EMI (SMD) (1608)	OUH %-3.3				
FB295	1-469-118-21	FERRITE, EMI (SMD) (1608)	OUH %-3.3				
FB525	1-469-324-21	FERRITE, EMI (SMD) (2012)	OUH %-3.3				
FB555	1-469-324-21	FERRITE, EMI (SMD) (2012)	OUH %-3.3				

Ref. No.	Part No.	Description	Remark	Ref. No.	Part No.	Description	Remark
J501	1-818-223-11	JACK BLOCK, PIN (NS355(BR4)/NS525P(CH)/NS507P(CH) (NS575P(AU2/ME2/EA4/IR2/U2/CA2/CH/AR2/BR4)) (NS585P(CH))		R123	1-218-889-91	RES, CHIP 56K (1608)	1/10W 0.5%
JS002	1-216-295-71	CONDUCTOR, CHIP (2012) 0		R124	1-216-831-91	RES, CHIP 6.8K (1608)	1/10W 5%
JS003	1-216-295-71	CONDUCTOR, CHIP (2012) 0		R126	1-216-838-91	RES, CHIP 27K (1608)	1/10W 5%
		<WIRE CLIP>		R127	1-216-833-91	RES, CHIP 10K (1608)	1/10W 5%
LP101	1-780-019-11	WIRE CLIP (NS525P(CH)/NS507P(CH) (NS575P(AU2/ME2/EA4/IR2/ME5/SP6/TW1/HK2/KR2/CH)) (NS585P(ME2/CH))		R128	1-216-839-91	RES, CHIP 33K (1608)	1/10W 5%
LP601	1-780-019-11	WIRE CLIP (NS525P(CH)/NS507P(CH) (NS575P(AU2/ME2/EA4/IR2/ME5/SP6/TW1/HK2/KR2/CH) (NS585P(ME2/CH))		R129	1-218-893-91	RES, CHIP 82K (1608)	1/10W 0.5%
LP701	1-780-019-11	WIRE CLIP		R130	1-218-877-91	RES, CHIP 18K (1608)	1/10W 0.5%
LP702	1-780-019-11	WIRE CLIP (NS575P(MX2/E32/U2/CA2/PX3))		R131	1-218-883-91	RES, CHIP 33K (1608)	1/10W 0.5%
		<IC LINK>		R132	1-216-833-91	RES, CHIP 10K (1608)	1/10W 5%
△ PS771	1-576-509-21	RINK, IC 1A		R133	1-216-864-91	CONDUCTOR, CHIP (1608)	0
△ PS772	1-576-509-21	RINK, IC 1A		R134	1-216-864-91	CONDUCTOR, CHIP (1608)	0
		<TRANSISTOR>		R136	1-218-875-91	RES, CHIP 15K (1608)	1/10W 0.5%
Q168	8-729-424-63	TRANSISTOR UN2212-TX		R155	1-216-821-91	RES, CHIP 1.0K (1608)	1/10W 5%
Q170	6-550-008-01	TRANSISTOR UM6K1N-TN		R156	1-216-821-91	RES, CHIP 1.0K (1608)	1/10W 5%
Q171	6-550-653-01	TRANSISTOR QST8TR		R157	1-216-829-91	RES, CHIP 4.7K (1608)	1/10W 5%
Q504	8-729-024-89	TRANSISTOR MUN2213T1		R158	1-216-829-91	RES, CHIP 4.7K (1608)	1/10W 5%
Q505	8-729-024-83	TRANSISTOR MUN2111T1		R159	1-216-864-91	CONDUCTOR, CHIP (1608)	0
Q601	8-729-010-10	TRANSISTOR MSB710-RT1		R160	1-216-809-91	RES, CHIP 100 (1608)	1/10W 5%
Q602	8-729-024-89	TRANSISTOR MUN2213T1		R172	1-216-845-91	RES, CHIP 100K (1608)	1/10W 5%
Q603	8-729-010-25	TRANSISTOR MSD601-RT1		R173	1-216-845-91	RES, CHIP 100K (1608)	1/10W 5%
Q604	8-729-424-72	TRANSISTOR UN2217-QRS-TX		R175	1-216-809-91	RES, CHIP 100 (1608)	1/10W 5%
Q605	8-729-010-05	TRANSISTOR MSB709-RT1		R178	1-211-977-91	RES, CHIP 22 (1608)	1/10W 0.5%
Q607	6-550-137-01	TRANSISTOR2SD1938(F)-ST(TX),SO		R179	1-216-801-91	RES, CHIP 22 (1608)	1/10W 5%
Q608	6-550-137-01	TRANSISTOR2SD1938(F)-ST(TX),SO		R180	1-216-809-91	RES, CHIP 100 (1608)	1/10W 5%
Q611	8-729-010-25	TRANSISTOR MSD601-RT1		R181	1-216-821-91	RES, CHIP 1.0K (1608)	1/10W 5%
Q616	8-729-010-05	TRANSISTOR MSB709-RT1		R182	1-216-841-91	RES, CHIP 47K (1608)	1/10W 5%
Q772	8-729-048-28	TRANSISTOR 2SD1766-T100-QR		R183	1-211-977-91	RES, CHIP 22 (1608)	1/10W 0.5%
Q773	8-729-424-11	TRANSISTOR UN2111-TX		R184	1-211-977-91	RES, CHIP 22 (1608)	1/10W 0.5%
		<RESISTOR>		R185	1-216-857-91	RES, CHIP 1.0M (1608)	1/10W 5%
R101	1-216-833-91	RES, CHIP 10K (1608)	1/10W 5%	R186	1-216-841-91	RES, CHIP 47K (1608)	1/10W 5%
R102	1-216-833-91	RES, CHIP 10K (1608)	1/10W 5%	R187	1-216-864-91	CONDUCTOR, CHIP (1608)	0
R103	1-216-839-91	RES, CHIP 33K (1608)	1/10W 5%	R188	1-216-801-91	RES, CHIP 22 (1608)	1/10W 5%
R104	1-216-839-91	RES, CHIP 33K (1608)	1/10W 5%	R189	1-216-801-91	RES, CHIP 22 (1608)	1/10W 5%
R107	1-216-833-91	RES, CHIP 10K (1608)	1/10W 5%	R190	1-216-864-91	CONDUCTOR, CHIP (1608)	0
R109	1-216-834-91	RES, CHIP 12K (1608)	1/10W 5%	R191	1-216-864-91	CONDUCTOR, CHIP (1608)	0
R110	1-216-822-91	RES, CHIP 1.2K (1608)	1/10W 5%	R192	1-216-841-91	RES, CHIP 47K (1608)	1/10W 5%
R111	1-216-835-91	RES, CHIP 15K (1608)	1/10W 5%	R194	1-216-864-91	CONDUCTOR, CHIP (1608)	0
R112	1-216-826-91	RES, CHIP 2.7K (1608)	1/10W 5%	R195	1-216-833-91	RES, CHIP 10K (1608)	1/10W 5%
R114	1-216-833-91	RES, CHIP 10K (1608)	1/10W 5%	R197	1-216-829-91	RES, CHIP 4.7K (1608)	1/10W 5%
R117	1-216-834-91	RES, CHIP 12K (1608)	1/10W 5%	R198	1-216-821-91	RES, CHIP 1.0K (1608)	1/10W 5%
R119	1-216-841-91	RES, CHIP 47K (1608)	1/10W 5%	R199	1-216-835-91	RES, CHIP 15K (1608)	1/10W 5%
R120	1-218-895-91	RES, CHIP 100K (1608)	1/10W 0.5%	R201	1-216-864-91	CONDUCTOR, CHIP (1608)	0
R121	1-218-895-91	RES, CHIP 100K (1608)	1/10W 0.5%	R208	1-216-864-91	CONDUCTOR, CHIP (1608)	0
R122	1-218-889-91	RES, CHIP 56K (1608)	1/10W 0.5%	R213	1-216-833-91	RES, CHIP 10K (1608)	1/10W 5%
				R216	1-216-833-91	RES, CHIP 10K (1608)	1/10W 5%
				R220	1-216-832-91	RES, CHIP 8.2K (1608)	1/10W 5%
				R221	1-216-833-91	RES, CHIP 10K (1608)	1/10W 5%
				R222	1-216-833-91	RES, CHIP 10K (1608)	1/10W 5%
				R223	1-216-833-91	RES, CHIP 10K (1608)	1/10W 5%
				R224	1-216-864-91	CONDUCTOR, CHIP (1608)	0
				R225	1-216-821-91	RES, CHIP 1.0K (1608)	1/10W 5%
				R226	1-216-821-91	RES, CHIP 1.0K (1608)	1/10W 5%
				R227	1-216-845-91	RES, CHIP 100K (1608)	1/10W 5%
				R229	1-216-864-91	CONDUCTOR, CHIP (1608)	0
				R244	1-216-836-91	RES, CHIP 18K (1608)	1/10W 5%

**Note :**  
The components identified by mark △ or dotted line with mark △ are critical for safety. Replace only with part number specified.

**MV-044**

Ref. No.	Part No.	Description	Remark			Ref. No.	Part No.	Description	Remark		
R247	1-216-809-91	RES, CHIP	100 (1608)	1/10W	5%	R616	1-216-830-91	RES, CHIP	5.6K (1608)	1/10W	5%
R248	1-216-845-91	RES, CHIP	100K (1608)	1/10W	5%	R617	1-216-833-91	RES, CHIP	10K (1608)	1/10W	5%
R253	1-216-805-91	RES, CHIP	47 (1608)	1/10W	5%	R618	1-216-845-91	RES, CHIP	100K (1608)	1/10W	5%
R258	1-216-809-91	RES, CHIP	100 (1608)	1/10W	5%	R619	1-216-849-91	RES, CHIP	220K (1608)	1/10W	5%
R260	1-216-801-91	RES, CHIP	22 (1608)	1/10W	5%	R620	1-216-817-91	RES, CHIP	470 (1608)	1/10W	5%
R261	1-216-805-91	RES, CHIP	47 (1608)	1/10W	5%	R621	1-216-833-91	RES, CHIP	10K (1608)	1/10W	5%
R263	1-211-990-91	RES, CHIP	75 (1608)	1/10W	0.5%	R622	1-216-833-91	RES, CHIP	10K (1608)	1/10W	5%
R264	1-211-990-91	RES, CHIP	75 (1608)	1/10W	0.5%	R624	1-216-833-91	RES, CHIP	10K (1608)	1/10W	5%
R265	1-211-990-91	RES, CHIP	75 (1608)	1/10W	0.5%	R625	1-216-841-91	RES, CHIP	47K (1608)	1/10W	5%
R266	1-211-990-91	RES, CHIP	75 (1608)	1/10W	0.5%	R626	1-216-817-91	RES, CHIP	470 (1608)	1/10W	5%
R267	1-211-990-91	RES, CHIP	75 (1608)	1/10W	0.5%	R627	1-216-817-91	RES, CHIP	470 (1608)	1/10W	5%
R268	1-211-990-91	RES, CHIP	75 (1608)	1/10W	0.5%	R628	1-216-833-91	RES, CHIP	10K (1608)	1/10W	5%
R272	1-469-836-21	INDUCTOR, FERRITE BEAD (NS575P(MX2/E32/U2/CA2/PX3))	0UH	%-3.3		R629	1-216-841-91	RES, CHIP	47K (1608)	1/10W	5%
R272	1-216-864-91	CONDUCTOR, CHIP (NS575P(AU2/ME2/EA4/IR2/ME5/ SP6/TW1/HK2/KR2/CH/AR2/BR4))	(1608)	0		R630	1-216-841-91	RES, CHIP	47K (1608)	1/10W	5%
R276	1-218-841-91	RES, CHIP (NS585P(ME2/CH)/NS355(BR4)/ NS525P(CH)/NS507P(CH))	560 (1608)	1/10W	0.5%	R634	1-216-829-91	RES, CHIP	4.7K (1608)	1/10W	5%
R279	1-216-809-91	RES, CHIP	100 (1608)	1/10W	5%	R635	1-216-829-91	RES, CHIP	4.7K (1608)	1/10W	5%
R280	1-216-826-91	RES, CHIP	2.7K (1608)	1/10W	5%	R638	1-216-845-91	RES, CHIP	100K (1608)	1/10W	5%
R284	1-216-805-91	RES, CHIP	47 (1608)	1/10W	5%	R640	1-216-817-91	RES, CHIP	470 (1608)	1/10W	5%
R285	1-216-805-91	RES, CHIP	47 (1608)	1/10W	5%	R641	1-216-817-91	RES, CHIP	470 (1608)	1/10W	5%
R286	1-216-805-91	RES, CHIP	47 (1608)	1/10W	5%	R642	1-216-864-91	CONDUCTOR, CHIP	(1608)	0	
R287	1-216-805-91	RES, CHIP	47 (1608)	1/10W	5%	R643	1-216-864-91	CONDUCTOR, CHIP	(1608)	0	
R288	1-216-805-91	RES, CHIP	47 (1608)	1/10W	5%	R649	1-216-813-91	RES, CHIP	220 (1608)	1/10W	5%
R289	1-202-930-91	RES, CHIP	750K (1608)	1/10W	5%	R651	1-216-807-91	RES, CHIP	68 (1608)	1/10W	5%
R298	1-216-864-91	CONDUCTOR, CHIP	(1608)	0		R652	1-216-833-91	RES, CHIP	10K (1608)	1/10W	5%
R521	1-216-833-91	RES, CHIP	10K (1608)	1/10W	5%	R653	1-216-821-91	RES, CHIP	1.0K (1608)	1/10W	5%
R527	1-211-990-91	RES, CHIP	75 (1608)	1/10W	0.5%	R654	1-216-821-91	RES, CHIP	1.0K (1608)	1/10W	5%
R528	1-211-990-91	RES, CHIP	75 (1608)	1/10W	0.5%	R656	1-216-821-91	RES, CHIP	1.0K (1608)	1/10W	5%
R529	1-216-833-91	RES, CHIP	10K (1608)	1/10W	5%	R668	1-216-864-91	CONDUCTOR, CHIP	(1608)	0	
R530	1-211-990-91	RES, CHIP	75 (1608)	1/10W	0.5%	R684	1-216-830-91	RES, CHIP	5.6K (1608)	1/10W	5%
R532	1-216-864-91	CONDUCTOR, CHIP	(1608)	0		R775	1-216-833-91	RES, CHIP	10K (1608)	1/10W	5%
R533	1-211-990-91	RES, CHIP	75 (1608)	1/10W	0.5%	R776	1-216-827-91	RES, CHIP	3.3K (1608)	1/10W	5%
R534	1-211-990-91	RES, CHIP	75 (1608)	1/10W	0.5%	R777	1-216-827-91	RES, CHIP	3.3K (1608)	1/10W	5%
R535	1-211-990-91	RES, CHIP	75 (1608)	1/10W	0.5%	R787	1-216-864-91	CONDUCTOR, CHIP	(1608)	0	
R547	1-216-864-91	CONDUCTOR, CHIP	(1608)	0		R1015	1-216-809-91	RES, CHIP	100 (1608)	1/10W	5%
R548	1-216-864-91	CONDUCTOR, CHIP	(1608)	0		R1018	1-216-864-91	CONDUCTOR, CHIP	(1608)	0	
R549	1-216-864-91	CONDUCTOR, CHIP	(1608)	0		R1021	1-216-864-91	CONDUCTOR, CHIP	(1608)	0	
R554	1-216-864-91	CONDUCTOR, CHIP	(1608)	0		R1026	1-216-833-91	RES, CHIP	10K (1608)	1/10W	5%
R556	1-216-864-91	CONDUCTOR, CHIP	(1608)	0		R1027	1-216-833-91	RES, CHIP	10K (1608)	1/10W	5%
R557	1-216-864-91	CONDUCTOR, CHIP	(1608)	0		R1031	1-216-833-91	RES, CHIP	10K (1608)	1/10W	5%
R575	1-216-864-91	CONDUCTOR, CHIP	(1608)	0		R2019	1-216-809-91	RES, CHIP (EXCEPT NS355(BR4))	100 (1608)	1/10W	5%
R582	1-216-864-91	CONDUCTOR, CHIP	(1608)	0		R2027	1-216-864-91	CONDUCTOR, CHIP	(1608)	0	
R598	1-216-295-71	CONDUCTOR, CHIP	(2012)	0		R2028	1-216-833-91	RES, CHIP	10K (1608)	1/10W	5%
R601	1-208-798-91	RES, CHIP	4.7K (2012)	1/10W	0.5%	R2030	1-216-833-91	RES, CHIP (EXCEPT NS355(BR4))	10K (1608)	1/10W	5%
R602	1-208-798-91	RES, CHIP	4.7K (2012)	1/10W	0.5%	R2031	1-216-805-91	RES, CHIP	47 (1608)	1/10W	5%
R603	1-208-798-91	RES, CHIP	4.7K (2012)	1/10W	0.5%	R2032	1-216-805-91	RES, CHIP	47 (1608)	1/10W	5%
R604	1-208-798-91	RES, CHIP	4.7K (2012)	1/10W	0.5%	R2033	1-216-805-91	RES, CHIP	47 (1608)	1/10W	5%
R605	1-208-800-91	RES, CHIP	5.6K (2012)	1/10W	0.5%	R2034	1-216-805-91	RES, CHIP	47 (1608)	1/10W	5%
R606	1-208-800-91	RES, CHIP	5.6K (2012)	1/10W	0.5%	R2035	1-216-864-91	CONDUCTOR, CHIP	(1608)	0 (NS355(BR4))	
R607	1-216-825-91	RES, CHIP	2.2K (1608)	1/10W	5%	R2036	1-216-295-71	CONDUCTOR, CHIP	(2012)	0	
R608	1-216-825-91	RES, CHIP	2.2K (1608)	1/10W	5%	<RES, NETWORK>					
R609	1-216-825-91	RES, CHIP	2.2K (1608)	1/10W	5%	RB204	1-234-371-21	RES, NETWORK 47X4 (1005)	1/32W	5%	47
R610	1-216-825-91	RES, CHIP	2.2K (1608)	1/10W	5%	RB205	1-234-371-21	RES, NETWORK 47X4 (1005)	1/32W	5%	47
R611	1-208-800-91	RES, CHIP	5.6K (2012)	1/10W	0.5%	RB206	1-234-371-21	RES, NETWORK 47X4 (1005)	1/32W	5%	47
R612	1-208-800-91	RES, CHIP	5.6K (2012)	1/10W	0.5%	<SWITCH>					
R613	1-216-829-91	RES, CHIP	4.7K (1608)	1/10W	5%	S501	1-762-636-11	SWITCH, SLIDE (EXCEPT NS355(BR4))			

eclubthai

eclubthai

eclubthai

eclubthai

eclubthai

Ref. No.	Part No.	Description	Remark
		<CRYSTAL>	
X202	1-813-219-11	QUARTZ CRYSTAL UNIT (NS575P(MX2/E32/U2/CA2/PX3/AR2/BR4)/NS355(BR4))	
X202	1-813-218-21	VIBRATOR, CRYSTAL (NS575P(AU2/ME2/EA4/IR2/ME5/SP6/TW1/HK2/KR2/CH) (NS585P(ME2)/NS507P(CH)/NS525P(CH))	
<hr/>			
△	1-478-538-11	POWER BLOCK (SRV1487UC) (U2/CA2/MX2) *****	
		<DIODE>	
D101	9-885-052-71	DOIDE	600V 1A
D102	9-885-052-71	DOIDE	600V 1A
D103	9-885-052-71	DOIDE	600V 1A
		<IC>	
IC101	9-885-052-72	IPD	
		<PHOTO COUPLER>	
△PC101	9-885-052-73	PHOTO COUPLER	
		<ALUMINUM ELECTRIC CAPACITOR>	
C107	9-885-052-76	ALUMINUM 82UF 200V ELECTRIC CAPACITOR	
		<FUSE>	
△F101	9-885-052-78	FUSE	125V 2A
		<CHIP FUSE>	
P311	9-885-052-80	CHIP FUSE	2A
P312	9-885-052-81	CHIP FUSE	2A
<hr/>			
△	1-478-539-12	POWER BLOCK (SRV1501WW) (GA) *****	
		<DIODE>	
D101	9-885-052-71	DOIDE	600V 1A
D102	9-885-052-71	DOIDE	600V 1A
D103	9-885-052-71	DOIDE	600V 1A
		<IC>	
IC101	9-885-052-82	IPD	
		<PHOTO COUPLER>	
△PC101	9-885-052-73	PHOTO COUPLER	

Ref. No.	Part No.	Description	Remark
C107	9-885-052-77	<ALUMINUM ELECTRIC CAPACITOR> ALUMINUM 120UF 400V ELECTRIC CAPACITOR	
		<FUSE>	
△P101	9-885-052-79	FUSE	250V 2A
		<CHIP FUSE>	
P311	9-885-052-80	CHIP FUSE	2A
P312	9-885-052-81	CHIP FUSE	2A
<hr/>			
		ACCESSORIES *****	
	1-478-545-11	REMOTE COMMANDER (RMT-D165A)	
	1-478-545-31	REMOTE COMMANDER (RMT-D165P)	
	1-478-545-41	REMOTE COMMANDER (RMT-D166P)	
	1-828-450-11	CORD, POWER (DVP-NS575P/NS585P: E32/IR2/ME2/ME5/PX3/SP6)	
	1-828-451-11	CORD, POWER (DVP-NS501P/NS575P: CA2/MX2/U2)	
	1-828-452-11	CORD, POWER (DVP-NS575P: AU2)	
	1-828-454-11	CORD, POWER (DVP-NS575P: EA4/HK2)	
	1-828-455-11	CORD, POWER (DVP-NS575P/NS585P: E32/IR2/ME2/ME5/PX3/SP6)	
	1-828-846-11	CORD, POWER (DVP-NS575P: EA4/HK2)	
	1-828-456-11	CORD, POWER (DVP-NS501P/NS575P: CA2/MX2/U2)	
	1-828-457-11	CORD, POWER (DVP-NS575P: AU2)	
	1-828-845-11	CORD, POWER (DVP-NS575P: TW1)	
	1-828-871-11	CORD, POWER (DVP-NS575P: KR2)	
	2-050-982-11	INSTRUCTION MANUAL (DVP-NS501P: U2)	
	3-088-491-12	INSTRUCTION MANUAL (DVP-NS575P: E32/MX2)	
	3-088-492-12	INSTRUCTION MANUAL (DVP-NS501P/NS575P: CA2/PX3/U2)	
	3-088-492-22	INSTRUCTION MANUAL (DVP-NS575P: CA2)	
	3-088-493-12	INSTRUCTION MANUAL (DVP-NS575P: AU2)	
	3-088-493-22	INSTRUCTION MANUAL (DVP-NS575P: HK2)	
	3-088-493-32	INSTRUCTION MANUAL (DVP-NS575P: TW1)	
	3-088-493-42	INSTRUCTION MANUAL (DVP-NS575P: KR1)	
	3-088-493-52	INSTRUCTION MANUAL (DVP-NS575P: ME5)	
	3-088-493-62	INSTRUCTION MANUAL (DVP-NS575P: HK2/SP6/ME5)	
	3-088-495-12	INSTRUCTION MANUAL (DVP-NS575P/NS585P: EA4/IR2/ME2)	
	3-088-495-22	INSTRUCTION MANUAL (DVP-NS575P/NS585P: EA4/ME2)	
	3-088-495-32	INSTRUCTION MANUAL (DVP-NS575P/NS585P: IR2/ME2)	

**Note :**  
The components identified by mark △ or dotted line with mark △ are critical for safety. Replace only with part number specified.

eclubthai

eclubthai

eclubthai

eclubthai

eclubthai

eclubthai

eclubthai

eclubthai

eclubthai

eclubthai

eclubthai

eclubthai

eclubthai

eclubthai

eclubthai

eclubthai

eclubthai

eclubthai

eclubthai

eclubthai

eclubthai

eclubthai

eclubthai

eclubthai

eclubthai

eclubthai

eclubthai

eclubthai

eclubthai

eclubthai

eclubthai

eclubthai

eclubthai

eclubthai

eclubthai

eclubthai

eclubthai

eclubthai

eclubthai

eclubthai

eclubthai

eclubthai

eclubthai

eclubthai

eclubthai

## Free Manuals Download Website

<http://myh66.com>

<http://usermanuals.us>

<http://www.somanuals.com>

<http://www.4manuals.cc>

<http://www.manual-lib.com>

<http://www.404manual.com>

<http://www.luxmanual.com>

<http://aubethermostatmanual.com>

Golf course search by state

<http://golfingnear.com>

Email search by domain

<http://emailbydomain.com>

Auto manuals search

<http://auto.somanuals.com>

TV manuals search

<http://tv.somanuals.com>