

NWZ-A826/A826K/A828/A828K/A829

SERVICE MANUAL

Ver. 1.0 2008.03



Photo : NWZ-A828

US Model
NWZ-A828K/A829

Canadian Model
NWZ-A826K/A829

AEP Model

UK Model

NWZ-A826/A826K/A828/A828K/A829

E Model

NWZ-A826/A826K/A828/A829

Australian Model

NWZ-A826K

Chinese Model

NWZ-A826/A828

Tourist Model

NWZ-A829

- NWZ-A826K/A828K, Wireless stereo headset (DR-BT21G), it attaches. About DR-BT21G, refer to the following service manual.
US, Canadian, E, Australian models: 9-887-599-□□
AEP, UK models: 9-887-601-□□

- ATRAC is trademark of Sony Corporation.
- "WALKMAN" and "WALKMAN" logo are registered trademarks of Sony Corporation.
- **DSEE** and **CLEAR BASS** are trademarks of Sony Corporation.
- Microsoft, Windows, Windows Vista and Windows Media are trademarks or registered trademarks of Microsoft Corporation in the United States and/or other countries.
- Adobe, Adobe Reader and Adobe Flash Player are trademarks or registered trademarks of Adobe Systems Incorporated in the United States and/or other countries.
- MPEG Layer-3 audio coding technology and patents licensed from Fraunhofer IIS and Thomson.
- IBM and PC/AT are registered trademarks of International Business Machines Corporation.
- Macintosh is a trademark of Apple Inc.
- QuickTime and the QuickTime logo are trademarks or registered trademarks of Apple Inc., used under license therefrom.



- Pentium is a trademark or a registered trademark of Intel Corporation.
- This software is based in part on the work of the Independent JPEG Group.
- THIS PRODUCT IS LICENSED UNDER THE MPEG-4 VISUAL PATENT PORTFOLIO LICENSE FOR THE PERSONAL AND NON-COMMERCIAL USE OF A CONSUMER FOR (i) ENCODING VIDEO IN COMPLIANCE WITH THE MPEG-4 VISUAL STANDARD ("MPEG-4 VIDEO") AND/OR (ii) DECODING MPEG-4 VIDEO THAT WAS ENCODED BY A CONSUMER ENGAGED IN A PERSONAL AND NON-COMMERCIAL ACTIVITY AND/OR WAS OBTAINED FROM A VIDEO PROVIDER LICENSED BY MPEG LA TO PROVIDE MPEG-4 VIDEO. NO LICENSE IS GRANTED OR SHALL BE IMPLIED FOR ANY OTHER USE. ADDITIONAL INFORMATION INCLUDING THAT RELATING TO PROMOTIONAL, INTERNAL AND COMMERCIAL USES AND LICENSING MAY BE OBTAINED FROM MPEG LA, LLC. SEE [HTTP://WWW.MPEGLA.COM](http://www.mpegla.com)
- THIS PRODUCT IS LICENSED UNDER THE AVC PATENT PORTFOLIO LICENSE FOR THE PERSONAL AND NON-COMMERCIAL USE OF A CONSUMER TO (i) ENCODE VIDEO IN COMPLIANCE WITH THE AVC STANDARD ("AVC VIDEO") AND/OR (ii) DECODE AVC VIDEO THAT WAS ENCODED BY A CONSUMER ENGAGED IN A PERSONAL AND NON-COMMERCIAL ACTIVITY AND/OR WAS OBTAINED FROM A VIDEO PROVIDER LICENSED TO PROVIDE AVC VIDEO. NO LICENSE IS GRANTED OR SHALL BE IMPLIED FOR ANY OTHER USE. ADDITIONAL INFORMATION MAY BE OBTAINED FROM MPEG LA, L.L.C. SEE [HTTP://MPEGLA.COM](http://mpegla.com)

- The Bluetooth word mark and logos are owned by the Bluetooth SIG, Inc. and any use of such marks by Sony Corporation is under license. Other trademarks and trade names are those of their respective owners.
 - US and foreign patents licensed from Dolby Laboratories.
 - All other trademarks and registered trademarks are trademarks or registered trademarks of their respective holders. In this manual, "TM" and "®" marks are not specified.
- This product is protected by certain intellectual property rights of Microsoft Corporation. Use or distribution of such technology outside of this product is prohibited without a license from Microsoft or an authorized Microsoft subsidiary.



Content providers are using the digital rights management technology for Windows Media contained in this device ("WM-DRM") to protect the integrity of their content ("Secure Content") so that their intellectual property, including copyright, in such content is not misappropriated. This device uses WM-DRM software to play Secure Content ("WM-DRM Software"). If the security of the WM-DRM Software in this device has been compromised, owners of Secure Content ("Secure Content Owners") may request that Microsoft revoke the WM-DRM Software's right to acquire new licenses to copy, display and/or play Secure Content. Revocation does not alter the WM-DRM Software's ability to play unprotected content. A list of revoked WM-DRM Software is sent to your device whenever you download a license for Secure Content from the Internet or from a PC. Microsoft may, in conjunction with such license, also download revocation lists onto your device on behalf of Secure Content Owners.

Program ©2008 Sony Corporation
Documentation ©2008 Sony Corporation

DIGITAL MEDIA PLAYER

9-889-048-01
2008C05-1
© 2008.03

Sony Corporation
Audio Business Group
Published by Sony Techno Create Corporation

SONY®

SPECIFICATIONS

Supported file format

Music	
File format	MP3(MPEG-1 Layer3) file format, ASF file format, MP4 file format, Wave-Riff file format
File extension	MP3 (.mp3), WMA ^{*1} (.wma), AAC-LC ^{*2} (.mp4, .m4a, .3gp), Linear PCM (.wav)
Codec	MP3 Bit rate: 32 to 320 kbps (Supports variable bit rate (VBR)) Sampling frequency ^{*3} : 32, 44.1, 48 kHz
	WMA ^{*1} Bit rate: 32 to 192 kbps (Supports variable bit rate (VBR)) Sampling frequency ^{*3} : 44.1 kHz
	AAC-LC ^{*2} Bit rate: 16 to 320 kbps (Supports variable bit rate (VBR)) ^{*4} Sampling frequency ^{*3} : 8, 11.025, 12, 16, 22.05, 24, 32, 44.1, 48 kHz
	Linear PCM Bit rate: 1,411 kbps Sampling frequency ^{*3} : 44.1 kHz

Video	
File format	MP4 file format, "Memory Stick" video format
File extension	.mp4, .m4v
Codec	Video AVC (H.264/AVC) Profile: Baseline Profile Level: Max. 1.3 Bit rate: Max. 768 kbps
	MPEG-4 Profile: Simple Profile Bit rate: Max. 2,500 kbps
	Frame rate: Max. 30 fps Resolution: Max. QVGA (320 × 240)
	Audio AAC-LC Channel number: Max. 2 channels Sampling frequency ^{*3} : 24, 32, 44.1, 48 kHz Bit rate: Max. 288 kbps per 1 channel

File size	Max. 2 GB
The number of files	Max. 1,000

Photo ^{*5}	
File format	Compatible with DCF 2.0/Exif 2.21file format
File extension	.jpg
Codec	Profile: Baseline Profile Number of pixels: Max. 4,000 × 4,000 pixels (16,000,000 pixels)
The number of files	Max. 10,000

^{*1} WM-DRM 10 files are compatible.

^{*2} Copyright protected AAC-LC files cannot be played back.

^{*3} Sampling frequency may not correspond to all encoders.

^{*4} Non-standard bit rates or non-guaranteed bit rates are included depending on the sampling frequency.

^{*5} Some photo files cannot be played back, depending on their file formats.

Maximum recordable number of songs and time (Approx.)

The approximate times are based on the case in which you transfer or record only 4 minutes songs (not including videos and photos) in the MP3 format. Other playable audio file format song numbers and times may differ from MP3 format.

	NWZ-A826/A826K		NWZ-A828/A828K	
	Songs	Time	Songs	Time
48 kbps	2,450	163 hr. 20 min.	5,050	336 hr. 40 min.
64 kbps	1,850	123 hr. 20 min.	3,750	250 hr. 00 min.
128 kbps	925	61 hr. 40 min.	1,850	123 hr. 20 min.
256 kbps	460	30 hr. 40 min.	945	63 hr. 00 min.
320 kbps	370	24 hr. 40 min.	755	50 hr. 20 min.

NWZ-A829		
Bit rate	Songs	Time
48 kbps	10,200	680 hr. 00 min.
64 kbps	7,650	510 hr. 00 min.
128 kbps	3,800	253 hr. 20 min.
256 kbps	1,900	126 hr. 40 min.
320 kbps	1,500	100 hr. 00 min.

Maximum recordable time of videos (Approx.)

The approximate recordable times are estimated in the case where only videos are transferred. The time may differ, depending on the conditions under which the player is used.

	NWZ-A826/A826K		NWZ-A828/A828K		NWZ-A829	
	Time	Time	Time	Time	Time	Time
Video Format: 384 kbps						
Audio Format: 128 kbps	15 hr. 00 min.	30 hr. 40 min.			62 hr. 00 min.	
Video Format: 768 kbps						
Audio Format: 128 kbps	8 hr. 30 min.	17 hr. 30 min.			35 hr. 30 min.	

Maximum recordable number of photos that can be transferred (Approx.)

Max. 10,000

Recordable number of photos may be less depending on file sizes.

Capacity (User available capacity)^{*1}

NWZ-A826/A826K: 4 GB (Approx. 3.57 GB = 3,840,638,976 bytes)

NWZ-A828/A828K: 8 GB (Approx. 7.30 GB = 7,840,956,416 bytes)

NWZ-A829: 16 GB (Approx. 14.7 GB = 15,841,820,672 bytes)

^{*1} Available storage capacity of the player may vary.

A portion of the memory is used for data management functions.

Output (headphones)

Frequency response

20 to 20,000 Hz (when playing data file, single signal measurement)

Interface

Headphone: Stereo mini-jack

WM-PORT (multiple connecting terminal): 22 pins

Hi-Speed USB (USB 2.0 compliant)

Operating temperature

5 °C to 35 °C (41 °F to 95 °F)

Power source

Built-in rechargeable lithium-ion battery

USB power (from a computer via the supplied USB cable)

Charging time

USB-based charging

Approx. 3 hours (full charge), Approx. 1.5 hours (approx. 80 %)

Battery life (continuous playback)

By setting as follows, a longer battery life can be expected.

The times below are approximated when "New Song Pop Up", "Clear Stereo", "DSEE (Sound Enhancer)", "Dynamic Normalizer", "Equalizer" and "VPT(Surround)" are deactivated, and "Screensaver" is set to "Blank."

Furthermore, for videos, the time approximated when the brightness of the screen is set to "3," or when "Sound Quality Mode" is set to "Normal Mode".

The time below may differ depending on ambient temperature or the status of use.

Battery life may be shortened by the radio waves generated by ambient Bluetooth devices or wireless LAN devices, or by the communication distance between the player and the communicating device.

	NWZ-A826/A826K/A828/A828K/A829 (Bluetooth function is on)	NWZ-A826/A826K/A828/A828K/A829 (Bluetooth function is off)
Music		
Playback at MP3 128 kbps	Approximately 15 hours	Approximately 36 hours
Playback at WMA 128 kbps	Approximately 15 hours	Approximately 35.5 hours
Playback at AAC-LC 128 kbps	Approximately 15 hours	Approximately 33.5 hours
Playback at Linear PCM 1411 kbps	Approximately 15 hours	Approximately 34.5 hours
Video (Only sound in Bluetooth communication)		
Playback at MPEG-4 384 kbps	Approximately 7 hours	Approximately 10 hours
Playback at MPEG-4 768 kbps	Approximately 7 hours	Approximately 9 hours
Playback at AVC 384 kbps	Approximately 6 hours	Approximately 8 hours
Playback at AVC 768 kbps	Approximately 6 hours	Approximately 8 hours

Display

2.4-inch, TFT color display with white LED-backlight, QVGA (240 × 320 pixels), 262,144 colors

Dimensions (w/h/d, projecting parts not included)

50.2 × 93.6 × 9.3 mm (2 × 3 ³/₄ × ³/₈ inches)

Dimension (w/h/d)

51.0 × 93.9 × 9.3 mm (2 ¹/₈ × 3 ⁷/₄ × ⁷/₈ inches)

Mass

Approx. 58 g (Approx. 2.1 oz)

Bluetooth Specifications

- Communication system: Bluetooth specification version 2.0
- Output: Bluetooth specification Power Class 2
- Maximum communication range: Line of sight approx. 10 meters (30 feet)^{*1}
- Frequency band: 2.4 GHz band (2.4000 GHz – 2.4835 GHz)
- Modulation method: FHSS
- Compatible Bluetooth profiles^{*2}
 - A2DP (Advanced Audio Distribution Profile)
 - AVRCP (Audio Video Remote Control Profile)

Supplied Accessories

Headphones (1)

USB cable (1)

Earbuds (Size S, L) (1)

Attachment (1)

Use when connecting the player to the optical cradle, etc.

Stand (1)

CD-ROM^{*1} ^{*2} (1)

–MP3 Conversion Tool

–Media Manager for WALKMAN

–Windows Media Player 11

–Operation Guide (PDF file)

Quick Start Guide (1)

^{*1} Do not attempt to play this CD-ROM in an audio CD player.

^{*2} Depending on the country/region in which you have purchased the player, the bundled software may be different.

Design and specifications are subject to change without notice.

**SECTION 1
SERVICING NOTES**

TABLE OF CONTENTS

1. SERVICING NOTES 3

2. GENERAL 5

3. DISASSEMBLY

3-1. Disassembly Flow 6

3-2. Cover (Rear), Rear Assy 6

3-3. Battery 7

3-4. MAIN Board 7

3-5. LCD Assy 8

4. TEST MODE 9

5. DIAGRAMS

5-1. Block Diagram - MAIN Section - 17

5-2. Block Diagram
- PANEL, POWER SUPPLY Section - 18

5-3. Printed Wiring Board - MAIN Board (Side A) - 20

5-4. Printed Wiring Board - MAIN Board (Side B) - 21

5-5. Schematic Diagram - MAIN Board (1/7) - 22

5-6. Schematic Diagram - MAIN Board (2/7) - 23

5-7. Schematic Diagram - MAIN Board (3/7) - 24

5-8. Schematic Diagram - MAIN Board (4/7) - 25

5-9. Schematic Diagram - MAIN Board (5/7) - 26

5-10. Schematic Diagram - MAIN Board (6/7) - 27

5-11. Schematic Diagram - MAIN Board (7/7) - 28

5-12. Printed Wiring Board - SW Board - 29

5-13. Schematic Diagram - SW Board (1/2) - 30

5-14. Schematic Diagram - SW Board (2/2) - 31

6. EXPLODED VIEWS

6-1. Cover (Rear) Section 43

6-2. Rear Assy Section 44

6-3. MAIN Board Section 45

6-4. Front Section 46

7. ELECTRICAL PARTS LIST 47

Notes on chip component replacement

- Never reuse a disconnected chip component.
- Notice that the minus side of a tantalum capacitor may be damaged by heat.

Flexible Circuit Board Repairing

- Keep the temperature of soldering iron around 270 °C during repairing.
- Do not touch the soldering iron on the same conductor of the circuit board (within 3 times).
- Be careful not to apply force on the conductor when soldering or unsoldering.

CAUTION

Danger of explosion if battery is incorrectly replaced.
Replace only with the same or equivalent type.

RECYCLING LITHIUM-ION BATTERIES

Lithium Ion batteries are recyclable.
You can help preserve our environment by returning your used rechargeable batteries to the collection and recycling location nearest you.

For more information regarding recycling of rechargeable batteries, call toll free 1-800-822-8837, or visit <http://www.rbc.org>

Caution: Do not handle damaged or leaking Lithium Ion batteries.



UNLEADED SOLDER

Boards requiring use of unleaded solder are printed with the lead-free mark (LF) indicating the solder contains no lead.
(Caution: Some printed circuit boards may not come printed with the lead free mark due to their particular size)

LF : LEAD FREE MARK

Unleaded solder has the following characteristics.

- Unleaded solder melts at a temperature about 40 °C higher than ordinary solder.
Ordinary soldering irons can be used but the iron tip has to be applied to the solder joint for a slightly longer time.
Soldering irons using a temperature regulator should be set to about 350 °C.
Caution: The printed pattern (copper foil) may peel away if the heated tip is applied for too long, so be careful!
- Strong viscosity
Unleaded solder is more viscous (sticky, less prone to flow) than ordinary solder so use caution not to let solder bridges occur such as on IC pins, etc.
- Usable with ordinary solder
It is best to use only unleaded solder but unleaded solder may also be added to ordinary solder.

NOTE THE CN601, CN602, IC301, IC302, IC305, IC453, IC501, IC503, IC508, IC509, IC601, IC602, IC701, IC751, IC752, IC901, IC902 AND IC903 ON THE MAIN BOARD REPLACING

CN601, CN602, IC301, IC302, IC305, IC453, IC501, IC503, IC508, IC509, IC601, IC602, IC701, IC751, IC752, IC901, IC902 and IC903 on the MAIN board cannot exchange with single. When CN601, CN602, IC301, IC302, IC305, IC453, IC501, IC503, IC508, IC509, IC601, IC602, IC701, IC751, IC752, IC901, IC902 and IC903 on the MAIN board are damaged, exchange the entire mounted board.

NOTE THE CN801, CN881 AND IC801 ON THE SW BOARD REPLACING

CN801, CN881 and IC801 on the SW board cannot exchange with single. When CN801, CN881 and IC801 on the SW board are damaged, exchange the entire mounted board.

Bluetooth Specifications (continued)

- Supported Codecs^{*)}: SBC (Subband Codec)
- Transmission range (A2DP): 20 - 20,000Hz (Sampling frequency 44.1kHz)
^{*)} The actual range will vary depending on factors such as obstacles between devices, magnetic fields, static electricity, reception sensitivity, antenna (aerial) performance, operating system, software application, etc.
- ^{*)} Bluetooth profiles are standardized according to the purpose of the Bluetooth device.
- ^{*)} Codec indicates the audio signal compression and conversion format.

System Requirements

- Computer
IBM PC/AT or compatible computer preinstalled with the following Windows operating systems^{*)}:
Windows XP Home Edition (Service Pack 2 or later) / Windows XP Professional (Service Pack 2 or later) / Windows Vista Home Basic / Windows Vista Home Premium / Windows Vista Business / Windows Vista Ultimate
Not supported by 64 bit version OS.
Not supported by OSs other than above.
^{*)} Excluding OS Versions not supported by Microsoft.
- CPU: Pentium 4 1.0 GHz or higher
- RAM: 512 MB or more
- Hard Disk drive: 380 MB or more of available space
- Display:
— Screen Resolution: 800 × 600 pixels (or higher) (recommended 1,024 × 768 or higher)
— Colors: 8 bit or higher (16 bit recommended)
- CD-ROM drive (supporting Digital Music CD playback capabilities using WDM)
To create original CDs, a CD-R/RW drive is required.
- Sound board
- USB port (Hi-Speed USB is recommended)
- Microsoft .NET Framework 2.0 or 3.0, QuickTime 7.2, Internet Explorer 6.0 or 7.0, Windows Media Player 10 or 11 (Windows Media Player 11 recommended. Some computers that already have Windows Media Player 10 installed may encounter file limitation (AAC, video files, etc.) that can be transferred by dragging and dropping).
- Adobe Flash Player 8 or higher needs to be installed.
- Broadband Internet connection is required to use Electronic Music Distribution (EMD) or to visit the web site.

We do not guarantee operation for all computers even if they meet the above System Requirements.

Not supported by the following environments:

- Personally constructed computers or operating systems
- An environment that is an upgrade of the original manufacturer-installed operating system
- Multi-boot environment
- Multi-monitor environment
- Macintosh

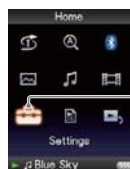
NOTE THE MAIN BOARD REPLACING

When the MAIN board is replaced, format it according to the following.

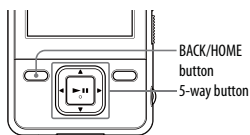
Formatting Memory (Format)

You can format the built-in flash memory of the player.

If the memory is formatted, all data and settings will be erased. Be sure to verify the data stored in memory prior to formatting and export any important data to the hard disk of your computer.



Settings



BACK/HOME button
5-way button

Notes

- This function is only available in the pause mode.
- This function is not available while the Bluetooth function is turned on.

- 1 Press and hold the BACK/HOME button in the pause mode until the Home menu appears.
- 2 Press the ▲/▼/◀/▶ button to select (Settings), and then press the ► button to confirm.

- 3 Press the ▲/▼/◀/▶ button to select "Common Settings," and then press the ► button to confirm.
The list of "Common Settings" options appears.

- 4 Press the ▲/▼/◀/▶ button to select "Format," and then press the ► button to confirm.
"All data including songs will be deleted. Proceed?" appears.

- 5 Press the ▲/▼ button to select "Yes," and then press the ► button to confirm.
"All data will be deleted. Proceed?" appears.

- 6 Press the ▲/▼ button to select "Yes," and then press the ► button to confirm.
While the memory is being formatted, an animated display appears. When initialization finishes, "Memory formatted" appears.

To cancel the operation

Select "No" in step 5 or 6 and press the ► button to confirm. You can also cancel the operation by pressing the BACK/HOME button in step 5 or 6.

Note

- Do not format the built-in flash memory using software or Windows Explorer.

COLOR VARIATION

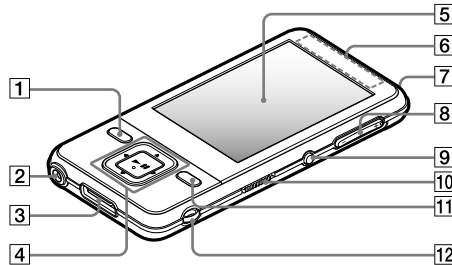
Model	Destination	Color				
		Black	White	Pink	Silver	Gold
NWZ-A826	AEP, UK	●		●	●	●
	French	●		●	●	●
	East European	●		●	●	●
	E	●				
	Chinese	●	●			
NWZ-A826K	ALL model	●				
NWZ-A828	AEP, UK	●		●	●	●
	French	●		●	●	●
	East European	●		●	●	●
	E	●		●		
	Chinese	●				
NWZ-A828K	ALL model	●				
NWZ-A829	US	●				
	Canadian	●				
	AEP, UK	●				●
	French	●				●
	East European	●				●
	E, Tourist	●				
	Mexican	●		●		

SECTION 2
GENERAL

This section is extracted from instruction manual.

Parts and Controls

Front



1 BACK/HOME button⁺¹

Press to go up one list screen level, or to return to the previous menu. Press and hold the BACK/HOME button to display the Home menu.

2 Headphone jack

For connecting the headphones. Insert the jack pin until it clicks into place. If the headphones are connected improperly, the sound from the headphones may not sound right.

3 WM-PORT jack

Use this jack to connect the supplied USB cable, or optional peripheral devices, such as supported accessories for the WM-PORT.

4 5-way button⁺²

Starts playback and enables navigation of the player's on-screen menus.

5 Display

The display may vary, depending on functions.

6 Bluetooth antenna (aerial)

7 Bluetooth indicator

Indicates the status of the Bluetooth function.


8 VOL +* /- button

Adjusts the volume.

9 BLUETOOTH button

Press and hold to turn on or off the Bluetooth function, and to establish or to end Bluetooth connection.

10 HOLD switch

You can protect the player against accidental operation by using the HOLD switch when carrying it. By sliding the HOLD switch to the direction of the arrow , all operation buttons are disabled. If you slide the HOLD switch to the opposite position, the HOLD function is released.

11 OPTION/PWR OFF button⁺¹

Displays the option menu.

If you press and hold the OPTION/PWR OFF button, screen turns off and the player enters standby mode. If you press any button while the player is in standby mode, the "Now Playing" screen, etc., appears and the player is ready for operation.

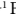
Furthermore, if you leave the player in standby mode for about a day, the player turns completely off automatically. If you press any button when the player is turned off, the start up screen appears first, then the "Now Playing" screen appears.

Note

The player consumes battery power very slightly even when it is in standby mode. Therefore, the player might turn completely off in a short time, depending on the power remaining in the battery.

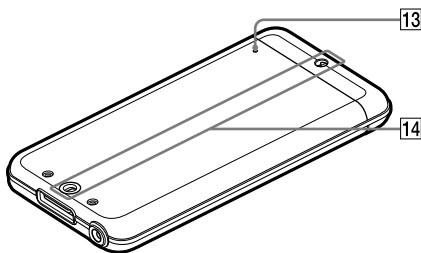
12 Strap hole

Used to attach a strap (sold separately). You can attach the supplied stand and a strap at the same time.

⁺¹ Functions marked with  on the player are activated if you press and hold the corresponding buttons.

⁺² There are tactile dots. Use them to help with button operations.

Rear



13 RESET button

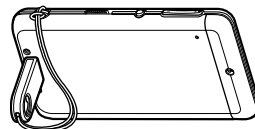
Resets the player when you press the RESET button with a small pin, etc.

14 Accessory hole (type I)

Used to attach the supplied stand or the optional accessories.

Using the supplied stand

You can stand up the player using the supplied stand.



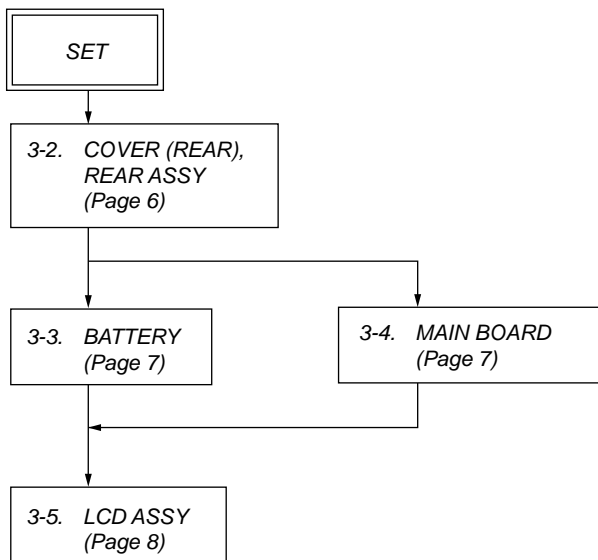
Notes

When standing the player with the stand, be careful not to press down or knock the player. Stand up the player horizontally as shown. Do not stand it up vertically.

SECTION 3 DISASSEMBLY

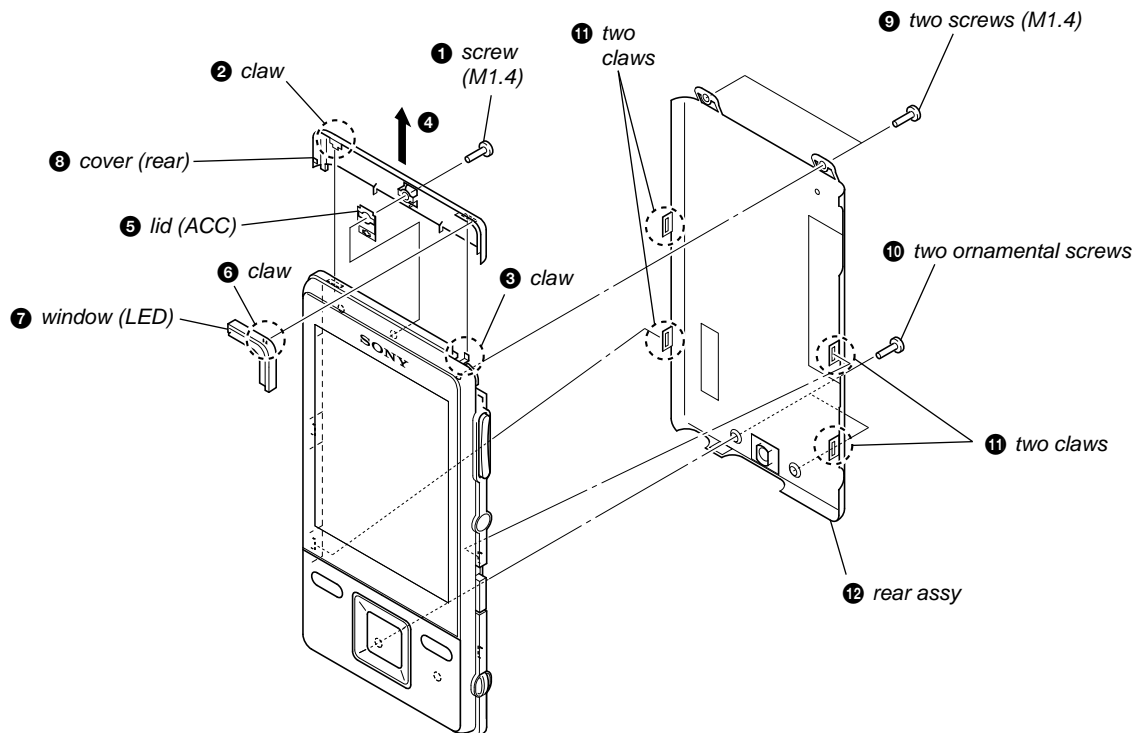
- This set can be disassembled in the order shown below.

3-1. DISASSEMBLY FLOW



Note: Follow the disassembly procedure in the numerical order given.

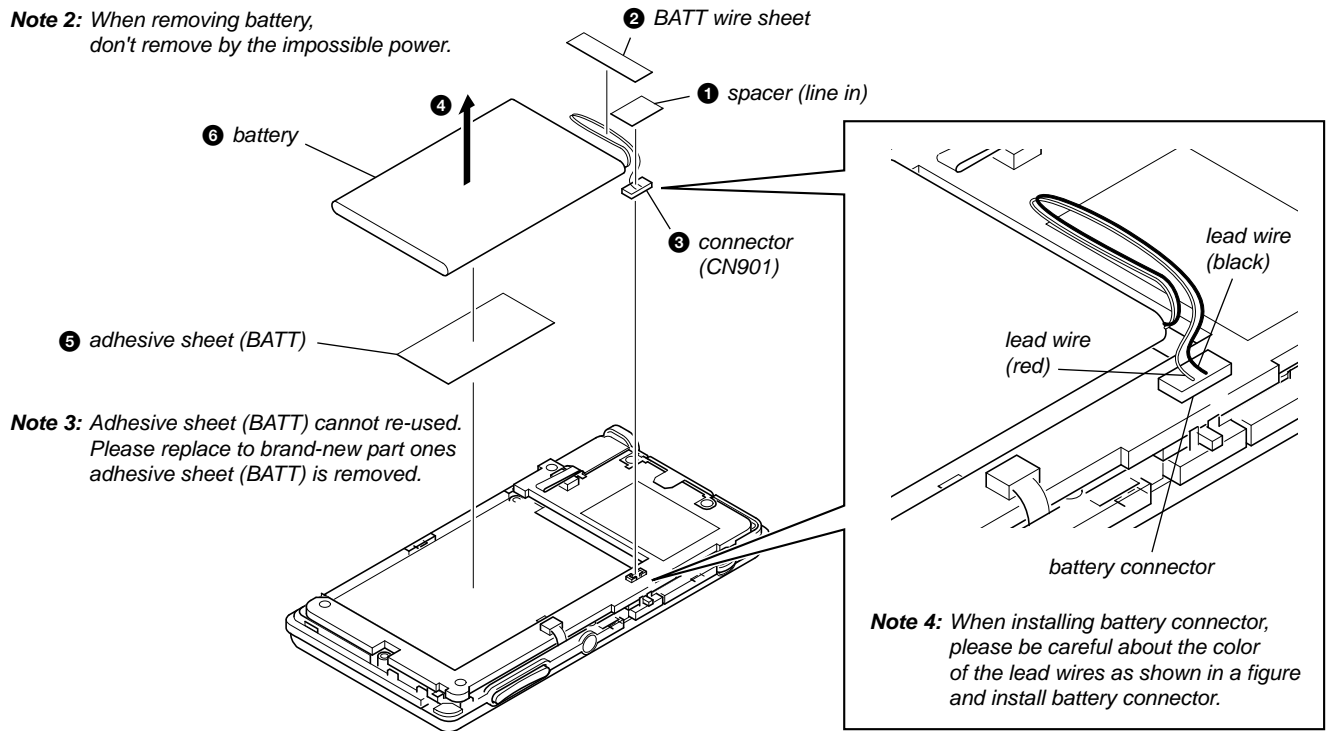
3-2. COVER (REAR), REAR ASSY



3-3. BATTERY

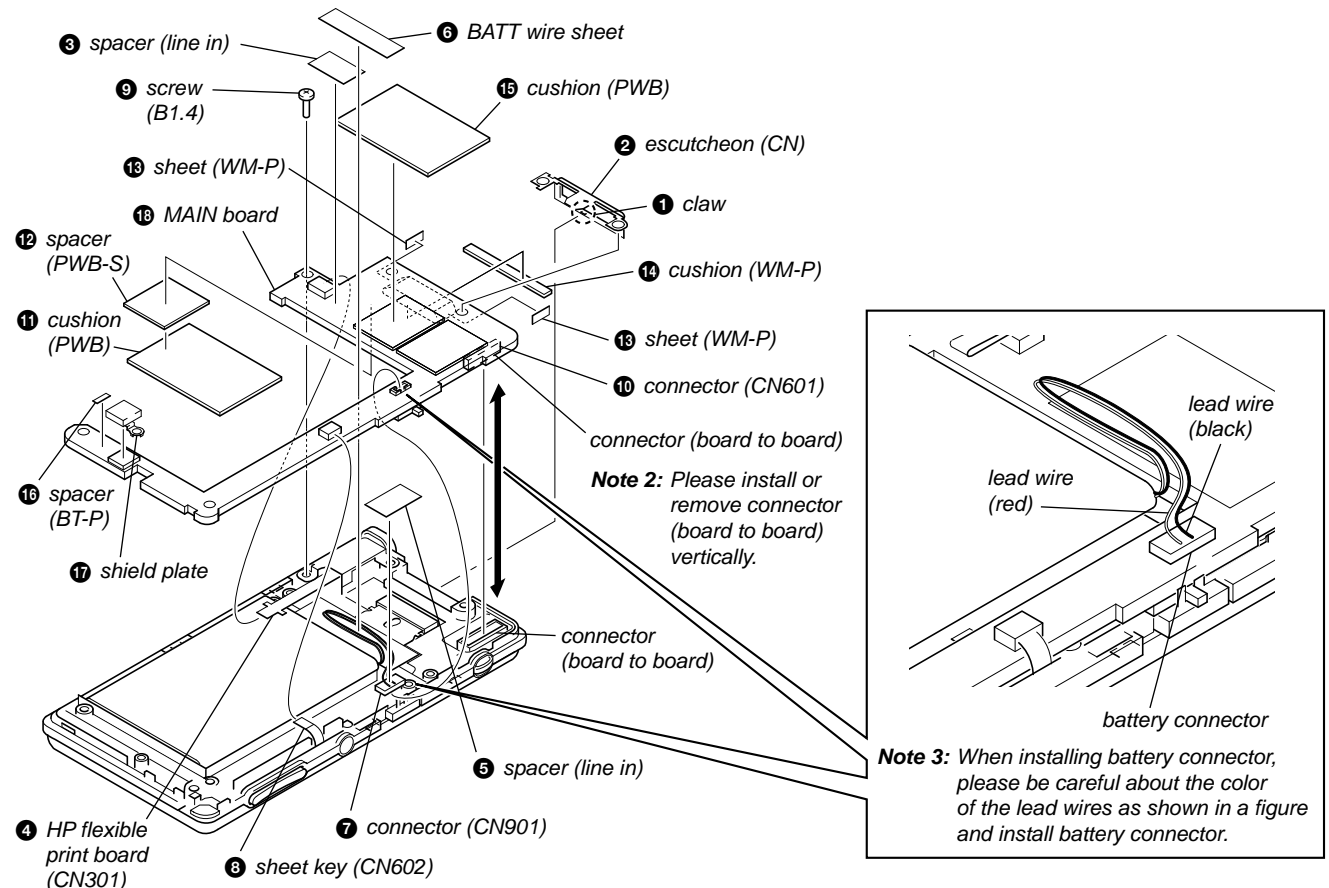
Note 1: This illustration sees the battery assy from back.

Note 2: When removing battery, don't remove by the impossible power.

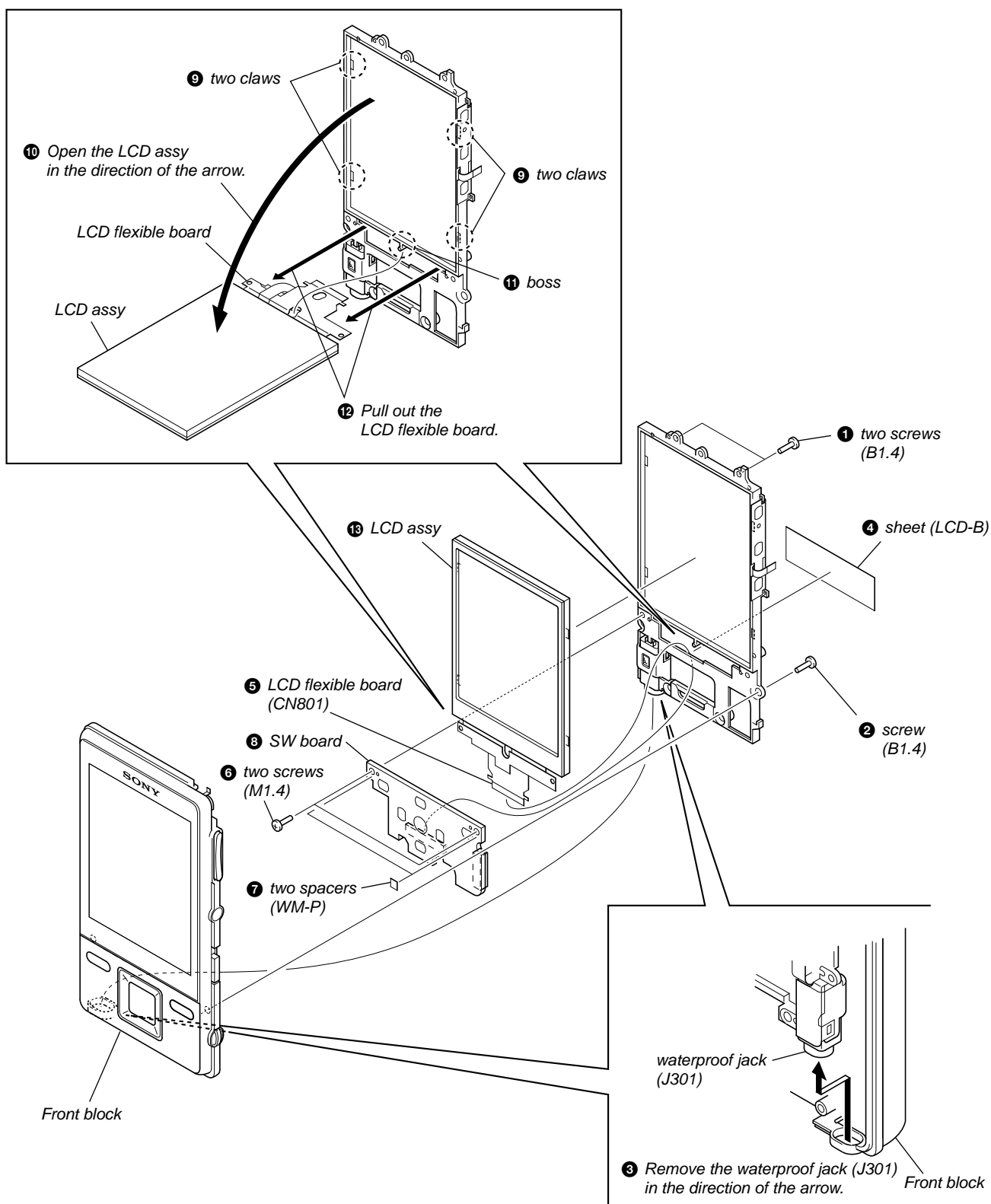


3-4. MAIN BOARD

Note 1: This illustration sees the MAIN board from the back.



3-5. LCD ASSY



SECTION 4 TEST MODE

Note: Information on the test mode must correspond in enough security. When the leakage has been revealed by any chance, the source of information is specified.

1. SETTING THE TEST MODE

Note: Perform the test mode in the state of 3.6 V or more in the battery voltage.

Setting method:

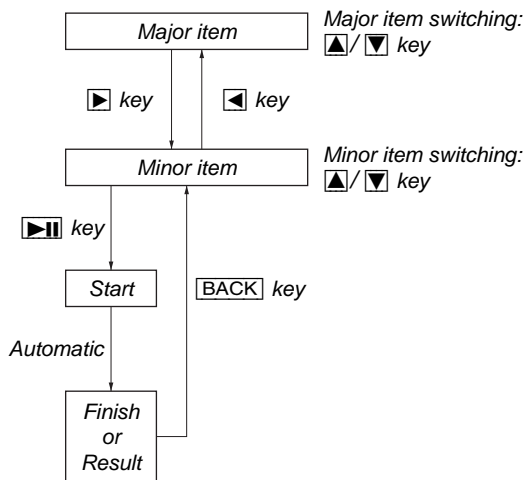
1. Turn the power on.
2. Press the [BACK] key for 1.5 seconds or more, the home menu is displayed.
3. Slide the [HOLD] key to set the hold on.
4. While pressing the [OPTION] key, press the key as following order.
[▲] → [▲] → [▼] → [▼] → [▶] → [◀] → [▲] → [▼] → [▲] → [▼] → [▶] → [▶||]
5. The set reboots when the [HOLD] key is slided to set the hold off, and the color bar is displayed in the liquid crystal display.
6. Enter the test mode when the [BACK] key is pressed in the state of step 5.

Note: The destination setting and sound pressure regulation setting cannot be executed by this test mode.

2. RELEASING THE TEST MODE

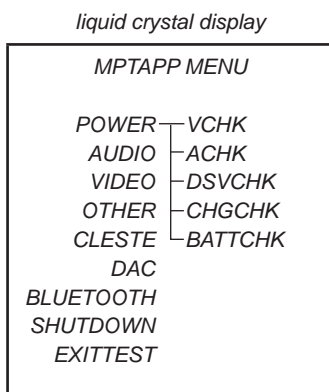
1. Display the major item selection screen.
2. Press the [▲]/[▼] key to select the "EXITTEST", and press the [▶] key to select the "SURE ?".
3. Press the [▶||] key, turn the power off and release the test mode.

3. CONFIGURATION OF THE TEST MODE



4. OPERATION OF THE TEST MODE

4-1. Power

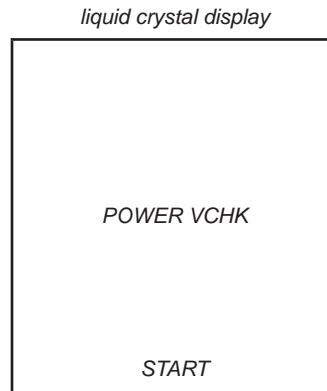


4-1-1. Power supply voltage check

This mode is used in case power supply voltage in the state where all power supply lines are starting is checked.

Checking method:

1. Enter the test mode.
2. Press the [▲]/[▼] key to select the "POWER", and press the [▶] key to enter the minor item.
3. Press the [▲]/[▼] key to select the "VCHK".
4. Press the [▶||] key, all power supply lines are started.



In this state, the power supply voltage of each power supply line can be confirmed by measuring the voltage.

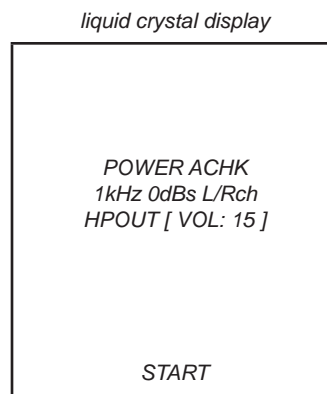
5. Press the [BACK] key, return to minor item selection screen.

4-1-2. Consumption current (audio playback) check

This mode is used in case consumption current (audio playback) is checked in the state where "1 kHz 0 dBs L-ch/R-ch VOLUME: 15" audio signal is outputted.

Checking method:

1. Enter the test mode.
2. Press the [▲]/[▼] key to select the "POWER", and press the [▶] key to enter the minor item.
3. Press the [▲]/[▼] key to select the "ACHK".
4. Press the [▶||] key, "1 kHz 0 dBs L-ch/R-ch VOLUE: 15" audio signal is outputted.



5. In this state, each time the [OPTION] key is pressed, LCD back light on/off switch is performed.

6. Press the [BACK] key, return to minor item selection screen.

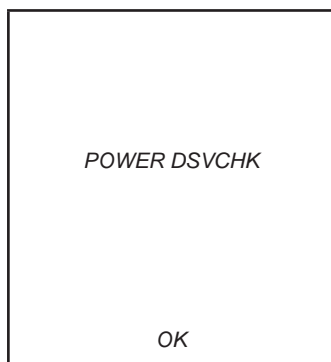
4-1-3. Standby current check

This mode is used in case standby current is checked.

Checking method:

1. Enter the test mode.
2. Press the [▲]/[▼] key to select the “POWER”, and press the [▶] key to enter the minor item.
3. Press the [▲]/[▼] key to select the “DSVCHK”.
4. Press the [▶||] key, enter the state of the deep sleep.
5. Press the [BACK] key, release the state of the deep sleep.

liquid crystal display



6. Press the [BACK] key, return to minor item selection screen.

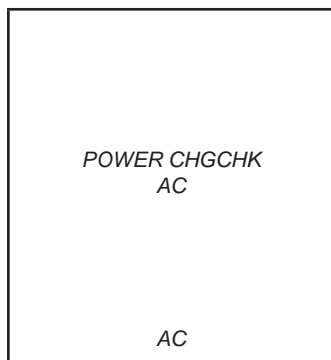
4-1-4. Charge current check

This mode is used in case charge current is checked.

Checking method:

1. Enter the test mode.
2. Press the [▲]/[▼] key to select the “POWER”, and press the [▶] key to enter the minor item.
3. Press the [▲]/[▼] key to select the “CHGCHK”.
4. Press the [▶||] key, the charge setting is displayed.

liquid crystal display



5. In this state, each time the [OPTION] key is pressed, the port setting for the charge is changed as shown in the table below.

	Port control		
Display	CHG_XCHGEN	CHG_PEN1	CHG_PEN2
AC	L	H	H
USB500	L	H	H
USB100	L	H	L

6. Press the [BACK] key, return to minor item selection screen.

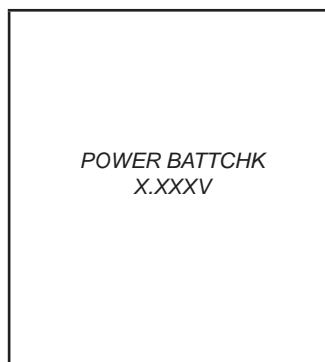
4-1-5. Battery voltage detection check

This mode is used in case battery voltage is checked.

Checking method:

1. Enter the test mode.
2. Press the [▲]/[▼] key to select the “POWER”, and press the [▶] key to enter the minor item.
3. Press the [▲]/[▼] key to select the “BATTCHK”.
4. Press the [▶||] key, the battery voltage is displayed.
When the battery voltage cannot be confirmed, “ERROR” is displayed.

liquid crystal display



X.XXXV: Battery voltage

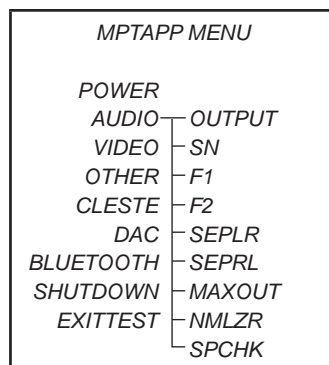
6. Press the [BACK] key, return to minor item selection screen.

4-2. Audio

While playing the audio track, it's in a repeat state. If [BACK] key is pressed, it's stopped.

Press the [VOL +] key to switch the HP/LINE.

liquid crystal display

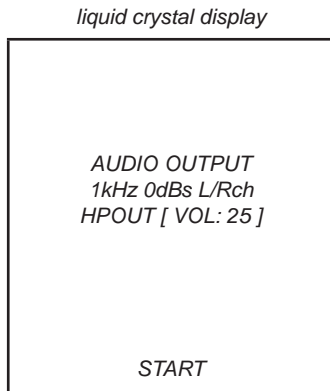


4-2-1. Output check

“1 kHz 0 dBs L-ch/R-ch VOLUME: 25” audio signal is outputted.

Checking method:

1. Enter the test mode.
2. Press the [▲]/[▼] key to select the “AUDIO”, and press the [▶] key to enter the minor item.
3. Press the [▲]/[▼] key to select the “OUTPUT”.
4. Press the [▶] key, “1 kHz 0 dBs L-ch/R-ch VOLUME: 25” audio signal is outputted.



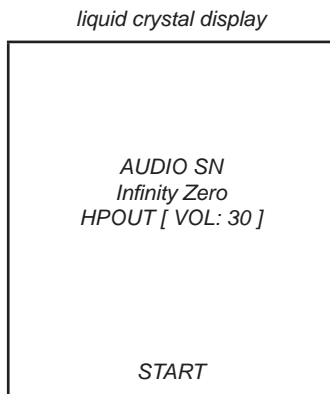
5. Press the [BACK] key, return to minor item selection screen.

4-2-2. S/N check

“Infinity Zero VOLUME: 30” audio signal is outputted.

Checking method:

1. Enter the test mode.
2. Press the [▲]/[▼] key to select the “AUDIO”, and press the [▶] key to enter the minor item.
3. Press the [▲]/[▼] key to select the “SN”.
4. Press the [▶] key, “Infinity Zero VOLUME: 30” audio signal is outputted.



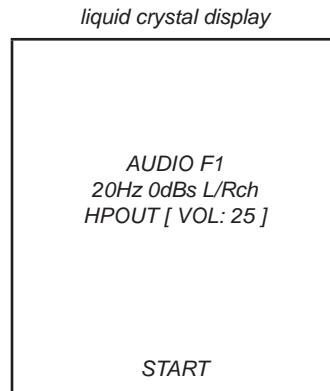
5. Press the [BACK] key, return to minor item selection screen.

4-2-3. Frequency characteristic 1 check

“20 Hz 0 dBs L-ch/R-ch VOLUME: 25” audio signal is outputted.

Checking method:

1. Enter the test mode.
2. Press the [▲]/[▼] key to select the “AUDIO”, and press the [▶] key to enter the minor item.
3. Press the [▲]/[▼] key to select the “F1”.
4. Press the [▶] key, “20 Hz 0 dBs L-ch/R-ch VOLUME: 25” audio signal is outputted.



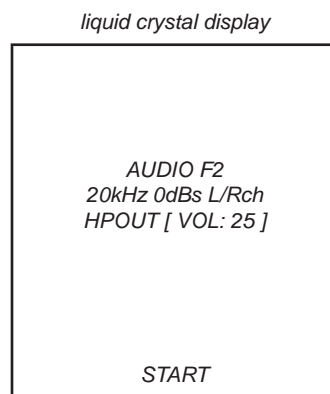
5. Press the [BACK] key, return to minor item selection screen.

4-2-4. Frequency characteristic 2 check

“20 kHz 0 dBs L-ch/R-ch VOLUME: 25” audio signal is outputted.

Checking method:

1. Enter the test mode.
2. Press the [▲]/[▼] key to select the “AUDIO”, and press the [▶] key to enter the minor item.
3. Press the [▲]/[▼] key to select the “F2”.
4. Press the [▶] key, “20 kHz 0 dBs L-ch/R-ch VOLUME: 25” audio signal is outputted.



5. Press the [BACK] key, return to minor item selection screen.

4-2-5. CH separation (L-ch) check

“1 kHz 0 dBs L-ch VOLUME: 25” audio signal is outputted.

Checking method:

1. Enter the test mode.
2. Press the [▲]/[▼] key to select the “AUDIO”, and press the [▶] key to enter the minor item.
3. Press the [▲]/[▼] key to select the “SEPLR”.
4. Press the [▶▶] key, “1 kHz 0 dBs L-ch VOLUME: 25” audio signal is outputted.

liquid crystal display



5. Press the [BACK] key, return to minor item selection screen.

4-2-6. CH separation (R-ch) check

“1 kHz 0 dBs R-ch VOLUME: 25” audio signal is outputted.

Checking method:

1. Enter the test mode.
2. Press the [▲]/[▼] key to select the “AUDIO”, and press the [▶] key to enter the minor item.
3. Press the [▲]/[▼] key to select the “SEPRL”.
4. Press the [▶▶] key, “1 kHz 0 dBs R-ch VOLUME: 25” audio signal is outputted.

liquid crystal display



5. Press the [BACK] key, return to minor item selection screen.

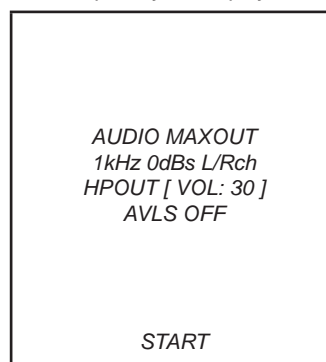
4-2-7. Maximum output check

“1 kHz 0 dBs L-ch/R-ch VOLUME: 30” (Headphone output when AVLS operates: “1 kHz 0 dBs L-ch/R-ch VOLUME: 13”) audio signal is outputted.

Checking method:

1. Enter the test mode.
2. Press the [▲]/[▼] key to select the “AUDIO”, and press the [▶] key to enter the minor item.
3. Press the [▲]/[▼] key to select the “MAXOUT”.
4. Press the [▶▶] key, “1 kHz 0 dBs L-ch/R-ch VOLUME: 30” (Headphone output when AVLS operates: “1 kHz 0 dBs L-ch/R-ch VOLUME: 13”) audio signal is outputted.

liquid crystal display



5. In this state, each time the [OPTION] key is pressed, AVLS on/off switch is performed.
6. Press the [BACK] key, return to minor item selection screen.

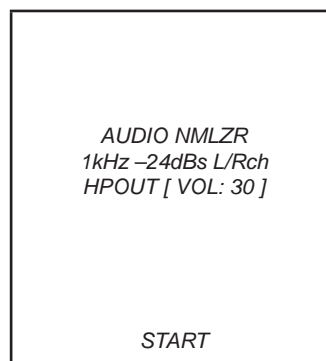
4-2-8. Normalizer check

“1 kHz – 24 dBs L-ch/R-ch VOLUME: 30” audio signal is outputted.

Checking method:

1. Enter the test mode.
2. Press the [▲]/[▼] key to select the “AUDIO”, and press the [▶] key to enter the minor item.
3. Press the [▲]/[▼] key to select the “NMLZR”.
4. Press the [▶▶] key, “1 kHz – 24 dBs L-ch/R-ch VOLUME: 30” audio signal is outputted.

liquid crystal display



5. Press the [BACK] key, return to minor item selection screen.

4-2-9. Sound pressure regulation level check

“1 kHz 0 dBs L-ch/R-ch VOLUME: 30” audio signal is outputted.

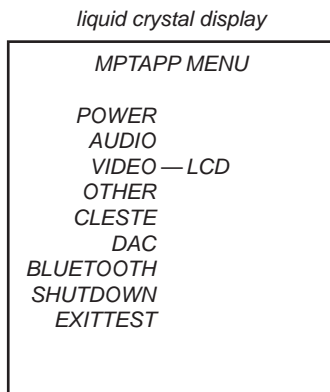
Checking method:

1. Enter the test mode.
2. Press the [▲]/[▼] key to select the “AUDIO”, and press the [▶] key to enter the minor item.
3. Press the [▲]/[▼] key to select the “SPCHK”.
4. Press the [▶] key, “1 kHz 0 dBs L-ch/R-ch VOLUME: 30” audio signal is outputted.



5. Press the [BACK] key, return to minor item selection screen.

4-3. Video



4-3-1. LCD display check

Liquid crystal display is checked.

Checking method:

1. Enter the test mode.
2. Press the [▲]/[▼] key to select the “VIDEO”, and press the [▶] key to select the “LCD”.
3. Press the [▶] key, all black is displayed on the liquid crystal display.
4. In this state, each time the [OPTION] key is pressed, the screen display changes in the following order.

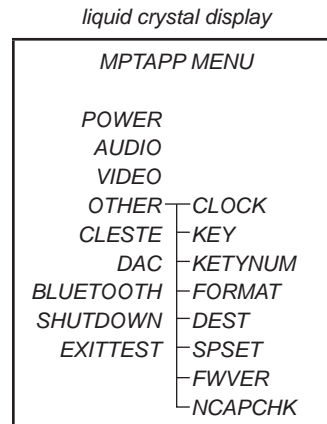
All black (default) → Color bar (standard) → Color bar (brightness minimum) → Color bar (brightness maximum) → All red → All green → All blue → All white → Maximum drawing size confirmation → diagonal gradation (red) → diagonal gradation (green) → diagonal gradation (blue) → diagonal gradation (white)

Maximum drawing size confirmation:

All blue (All sides are red) is displayed. Whether red in all sides is seen is confirmed.

5. In this state, each time the [VOL -] key is pressed, LCD back light brightness min/max/middle switch is performed.
6. Press the [BACK] key, return to minor item selection screen.

4-4. Other

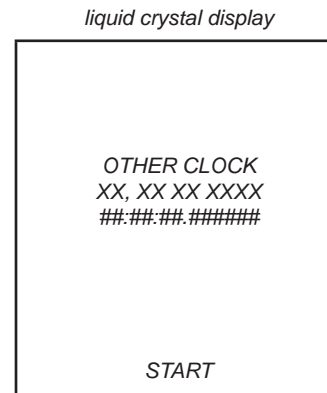


4-4-1. Clock check

The movement of an internal clock is confirmed.

Checking method:

1. Enter the test mode.
2. Press the [▲]/[▼] key to select the “OTHER”, and press the [▶] key to enter the minor item.
3. Press the [▲]/[▼] key to select the “CLOCK”.
4. Press the [▶] key, date and time are displayed.



XX, XX XX XXXX : Date
##:##:##.##### : Time

“START” changes into “OK” if the movement of an internal clock is confirmed.

5. Press the [BACK] key, return to minor item selection screen.

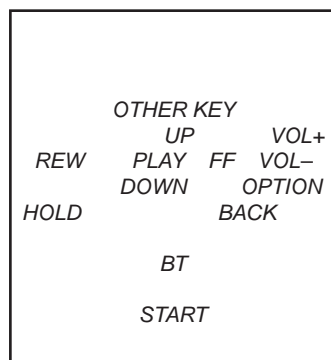
4-4-2. Key check

The operation of the key is confirmed.

Checking method:

1. Enter the test mode.
2. Press the [▲]/[▼] key to select the "OTHER", and press the [▶] key to enter the minor item.
3. Press the [▲]/[▼] key to select the "KEY".
4. Press the [▶] key, all keys are displayed.

liquid crystal display



5. The character corresponding to the key is selected every time the key is pressed. "START" changes into "OK" if all keys are pressed.
6. Slide the [HOLD] switch from ON to OFF, return to minor item selection screen.

4-4-3. Frequency check that presses key

The frequency to which the key is pressed, insert/pull out frequency of cradle and insert/pull out frequency of the headphone are displayed.

Note: Not used for the servicing.

4-4-4. Format

The user's area is formatted, and ICV for the video and ICV for audio are initialized.

Note: Not used for the servicing.

Format the set from "Settings" → "Common settings" → "Format" when it home menu in usually operates when the set should format it.

4-4-5. Destination setting

The destination setting, language information, and sound pressure regulation information are written in the NAND flash memory.

Note: Not used for the servicing.

4-4-6. Sound pressure regulation setting

ON/OFF of sound pressure regulation is confirmed.

Note: Not used for the servicing.

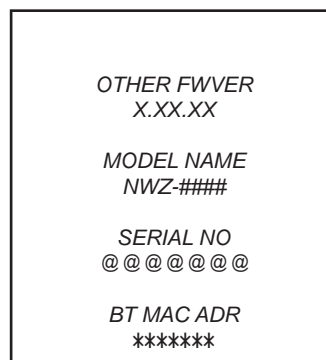
4-4-7. Firmware version check

The firmware version is displayed.

Checking method:

1. Enter the test mode.
2. Press the [▲]/[▼] key to select the "OTHER" and press the [▶] key to enter the minor item.
3. Press the [▲]/[▼] key to select the "FWVER".
4. Press the [▶] key, the firmware version is displayed.

liquid crystal display



X.XX.XX : Firmware version
 #### : Model name
 @@@@ : Serial No.
 ***** : Bluetooth MAC address

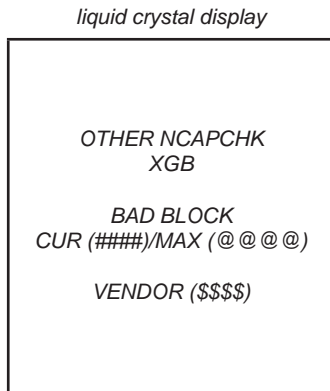
5. Press the [BACK] key, return to minor item selection screen.

4-4-8. NAND capacity check

Capacity of NAND flash memory, present bud block, maximum bud block, and vender ID are displayed.

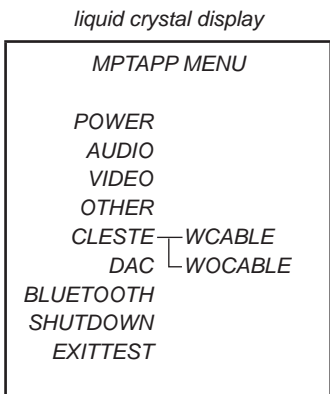
Checking method:

1. Enter the test mode.
2. Press the [▲]/[▼] key to select the "OTHER", and press the [▶] key to enter the minor item.
3. Press the [▲]/[▼] key to select the "NCAPCHK".
4. Press the [▶] key, capacity of NAND flash memory, present bud block, maximum bud block, and vender ID are displayed.



- X : Capacity of NAND flash memory
4/8/16 (4 GB/8 GB/16 GB)
 - @@@@ : Number of present bud block
(It makes an error the acquisition of the number of bud blocks at "-1")
 - #### : Number of maximum bud block
(It makes an error the acquisition of the vender ID at "-1")
 - \$\$\$\$: Vender ID of NAND flash memory
0x98/0xec (TOSHIBA/SAMSUNG)
(It makes an error the acquisition of the vender ID at "-1")
5. Press the [BACK] key, return to minor item selection screen.

4-5. CLESTE



4-5-1. Clear stereo setting (With cable)

This mode is according to an original sound playback, for adjustment to right and left sound.

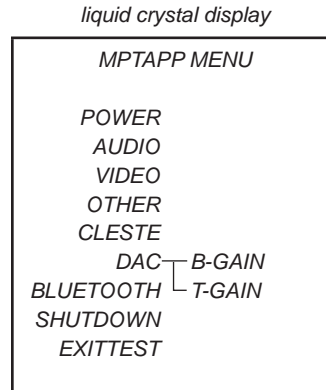
Note: Not used for the servicing.

4-5-2. Clear stereo setting (No cable)

This mode is according to an original sound playback, for adjustment to right and left sound.

Note: Not used for the servicing.

4-6. DAC



4-6-1. BASS-Gain/Fc setting

This mode is adjustment for the sound of BASS when playback.

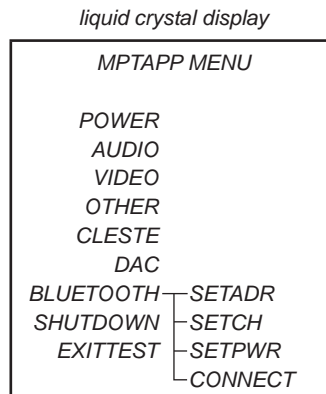
Note: Not used for the servicing.

4-6-2. TREBLE-Gain/Fc setting

This mode is adjustment for the sound of TREBLE when playback.

Note: Not used for the servicing.

4-7. BLUETOOTH



4-7-1. Bluetooth address setting

Bluetooth address is set.

If the test mode is released, the address set in this mode becomes invalid.

Note: Not used for the servicing.

4-7-2. Bluetooth transmitting power setting

Bluetooth transmitting power is set.

If the test mode is released, the transmitting power set in this mode becomes invalid.

Note: Not used for the servicing.

4-7-3. Bluetooth transmitting power setting

Bluetooth transmitting power is set.

If the test mode is released, the transmitting power set in this mode becomes invalid.

Note: Not used for the servicing.

4-7-4. Bluetooth connection check

It connects with the address selected by "SETADR" with the channel set by "SETCH", and the result is displayed.

Note: Not used for the servicing.

4-8. Shutdown

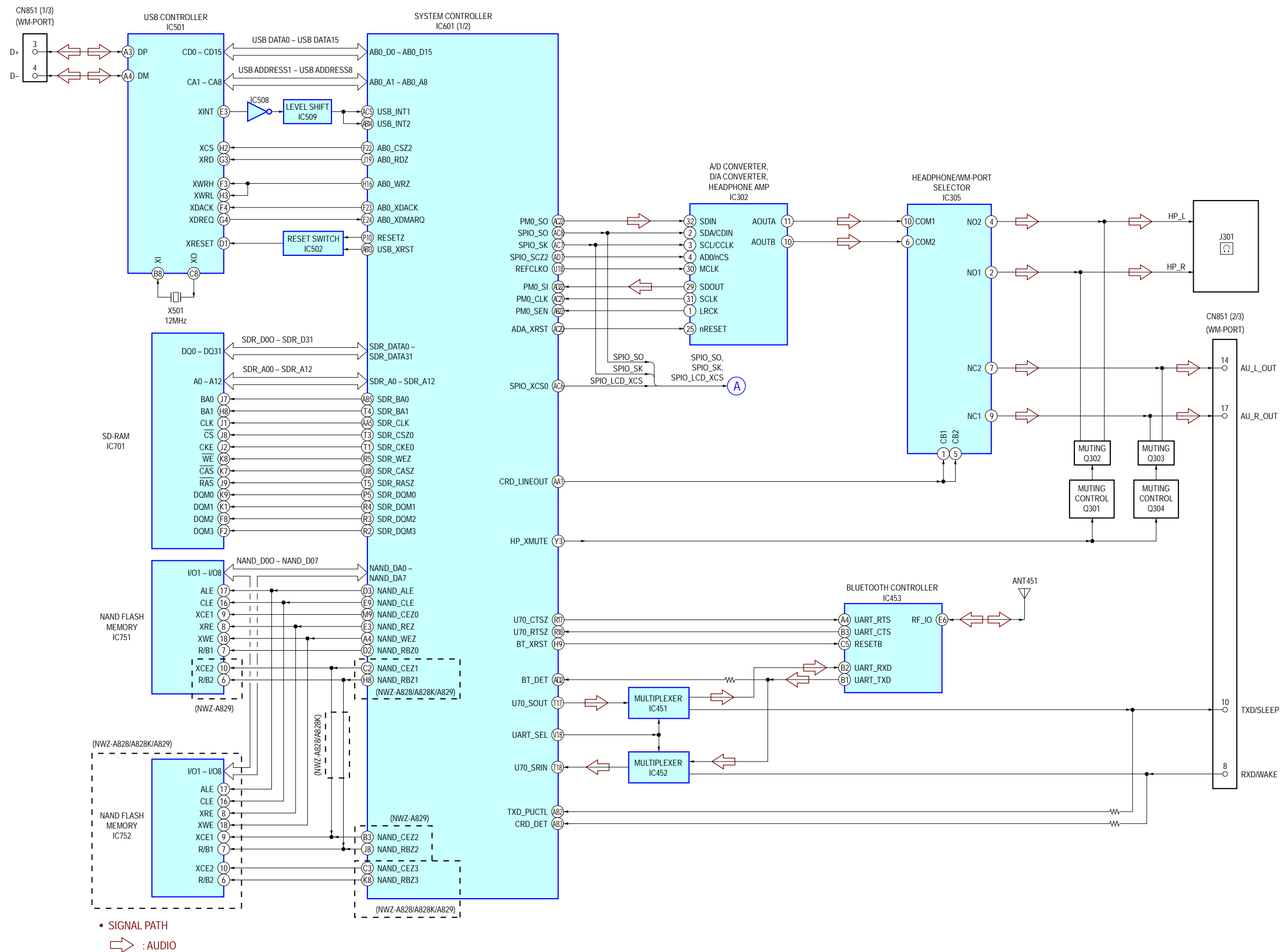
Function that power supply of set can be turned off without ending static test mode.

Procedure:

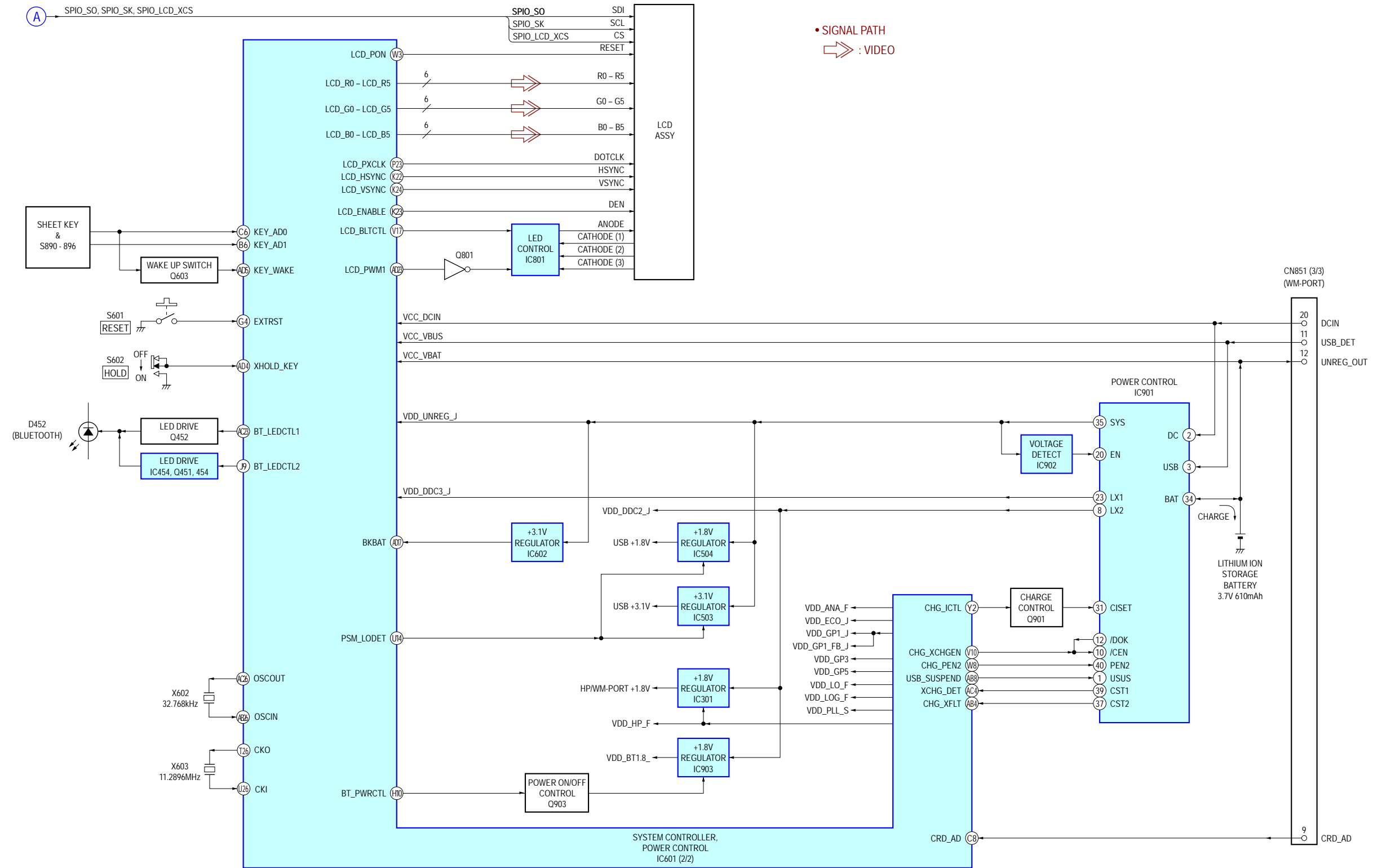
1. Enter the test mode.
2. Press the [▲]/[▼] key to select the "SHUTDOWN", and press the [▶] key to select the "SURE ?".
3. Press the [▶||] key, turn the power off while having entered the test mode.

SECTION 5 DIAGRAMS

5-1. BLOCK DIAGRAM - MAIN Section -



5-2. BLOCK DIAGRAM - PANEL, POWER SUPPLY Section -



THIS NOTE IS COMMON FOR PRINTED WIRING BOARDS AND SCHEMATIC DIAGRAMS.
(In addition to this, the necessary note is printed in each block.)

For Printed Wiring Boards.

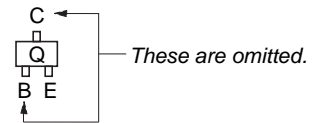
Note:

- : Parts extracted from the component side.
- : Pattern from the side which enables seeing.
 (The other layers' patterns are not indicated.)

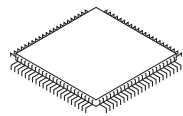
Caution:

Parts face side: (SIDE A)	Parts on the parts face side seen from the pattern face are indicated.
Pattern face side: (SIDE B)	Parts on the pattern face side seen from the parts face are indicated.

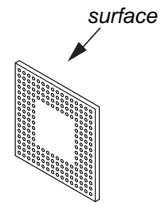
- MAIN and SW boards are multi-layer printed board. However, the patterns of intermediate-layers have not been included in diagrams.
- Indication of transistor.



- Lead layouts



Lead layout of conventional IC



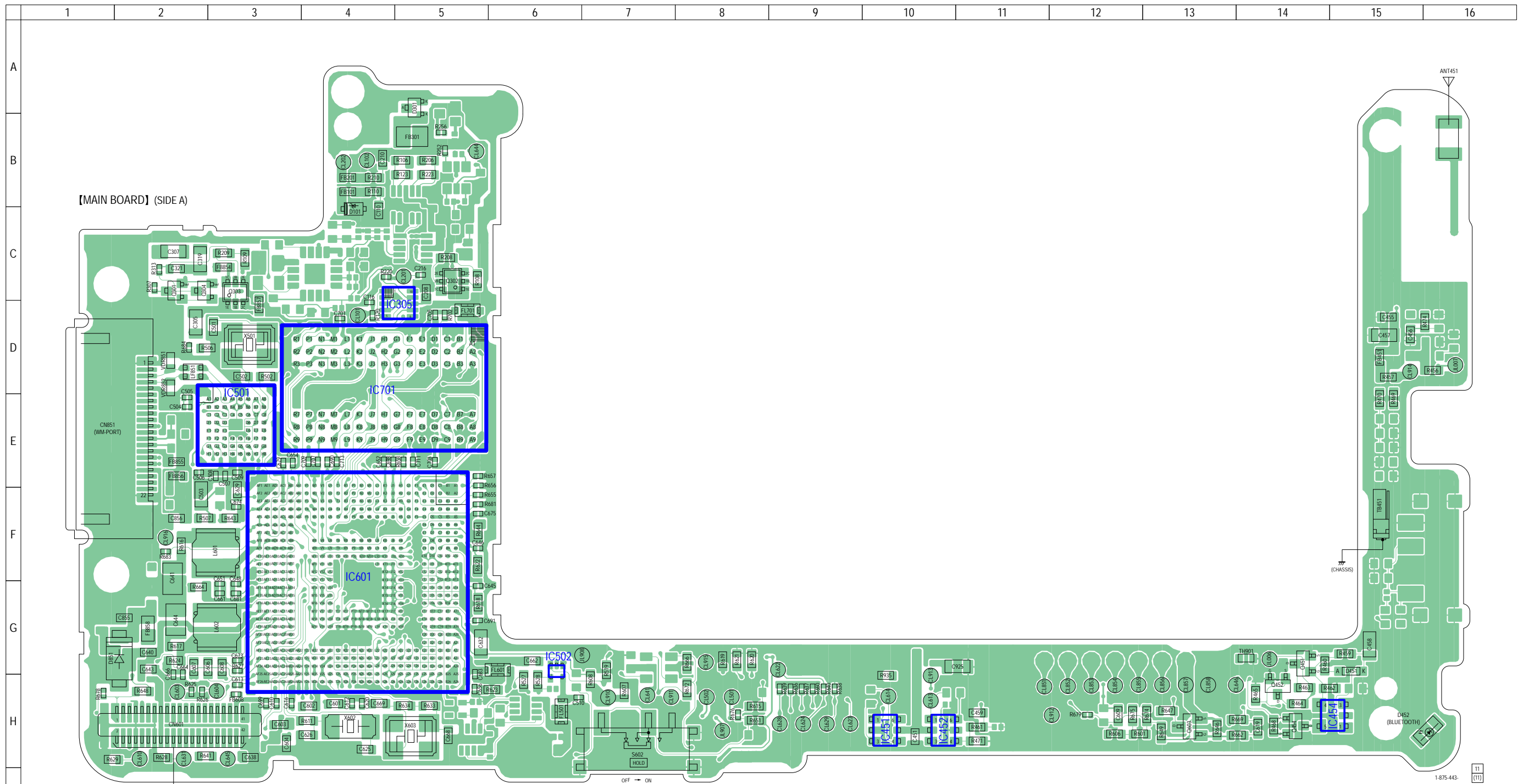
CSP (Chip Size Package)

For Schematic Diagrams.

Note:

- All capacitors are in μF unless otherwise noted. (p: pF)
 50 WV or less are not indicated except for electrolytics and tantalums.
- All resistors are in Ω and $1/4$ W or less unless otherwise specified.
- : panel designation.
- : B+ Line.
- Power voltages is dc 3.7 V and fed with regulated dc power supply from CN901 pin ① and ② on the MAIN board.
- Voltages and waveforms are dc with respect to ground under no-signal conditions.
 no mark: PLAY BACK
- Waveforms is taken with an oscilloscope.
 Voltage variations may be noted due to normal production tolerances.
- Voltages are taken with VOM (Input impedance 10 M Ω).
- Voltage variations may be noted due to normal production tolerances.
- Circled numbers refer to waveforms.
- Signal path.
 ⇨ : AUDIO
 ⇨ : VIDEO
- The voltage and waveform of CSP (chip size package) cannot be measured, because its lead layout is different from that of conventional IC.

5-3. PRINTED WIRING BOARD - MAIN Board (Side A) - • **LF** : Uses unleaded solder.



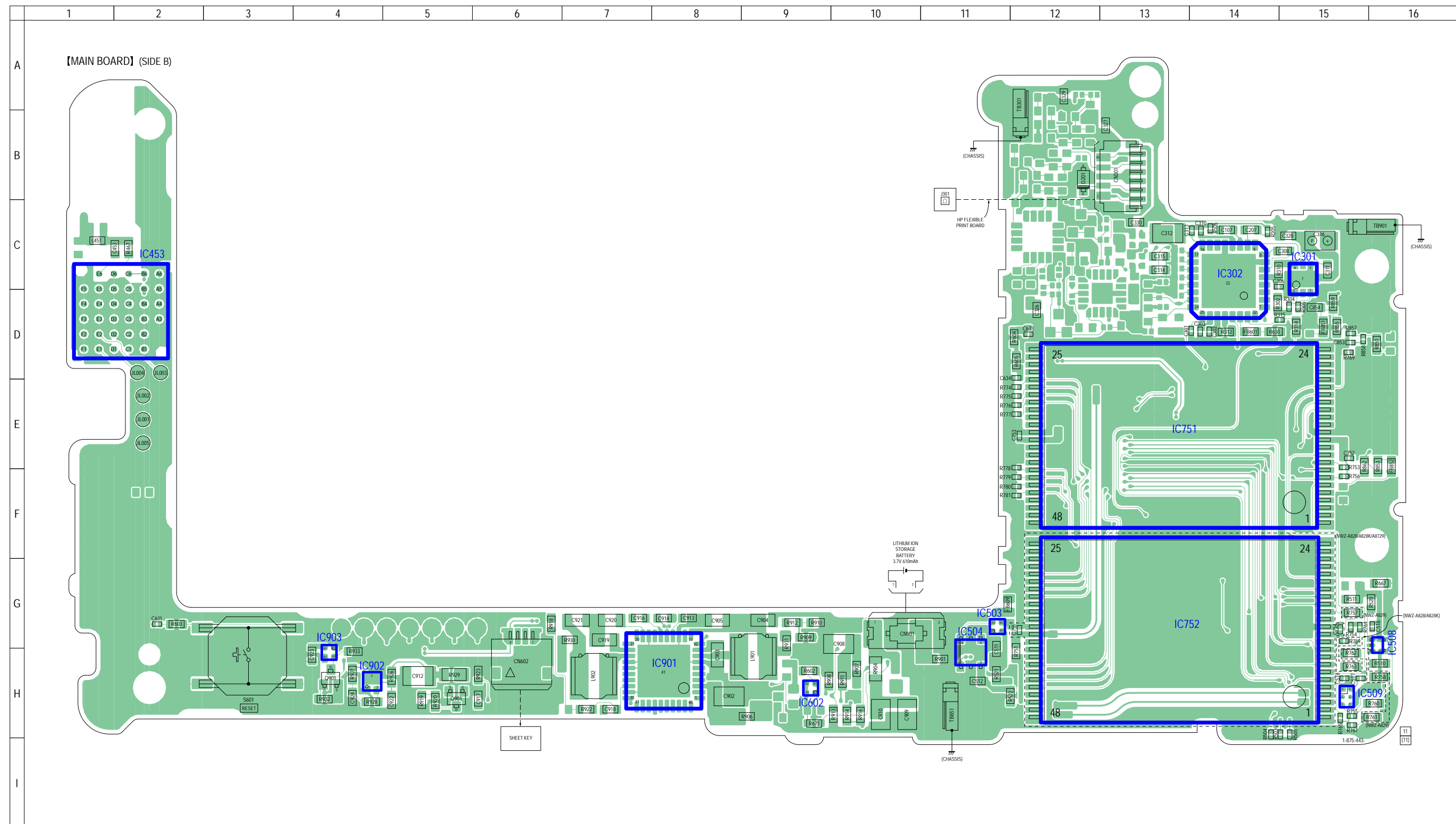
• **Semiconductor Location**

Ref. No.	Location	Ref. No.	Location	Ref. No.	Location	Ref. No.	Location	Ref. No.	Location
D101	C-4	IC305	D-5	IC501	E-3	Q301	C-2	Q452	H-14
D301	A-5	IC451	H-10	IC502	G-6	Q302	C-5	Q454	H-14
D451	H-15	IC452	H-10	IC601	F-4	Q303	C-3	Q603	H-13
D452	H-16	IC454	H-15	IC701	D-4	Q304	C-2		
D851	G-2					Q451	H-14		

Note 1: When the MAIN board is replaced, format it according to the "NOTE OF MAIN BOARD REPLACING" (refer to page 4) of the servicing notes.

Note 2: CN601, IC305, IC501, IC601 and IC701 on the MAIN board cannot exchange with single. When CN601, IC305, IC501, IC601 and IC701 on the MAIN board are damaged, exchange the entire mounted board.

5-4. PRINTED WIRING BOARD - MAIN Board (Side B) - •  : Uses unleaded solder.



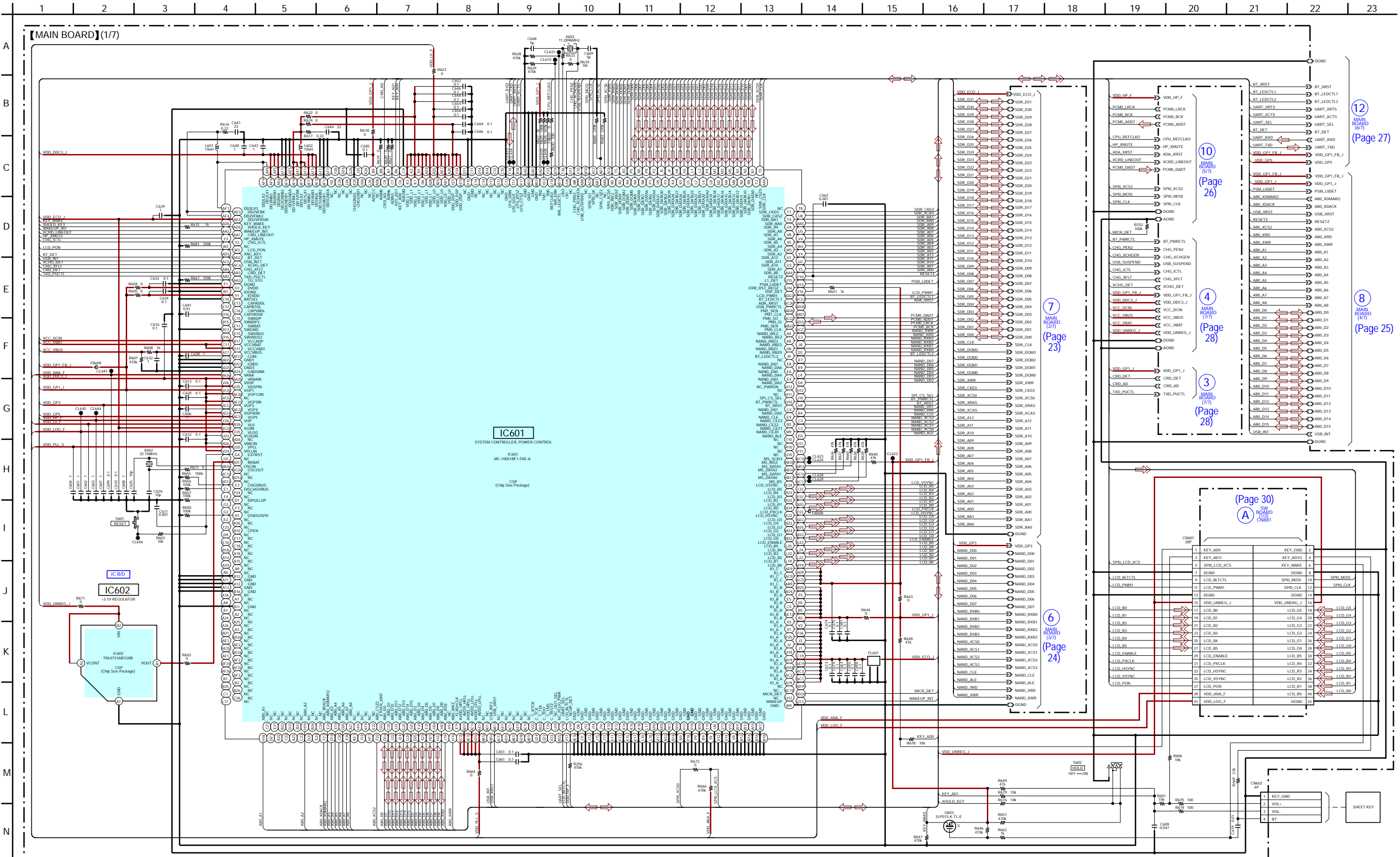
• Semiconductor Location

Ref. No.	Location	Ref. No.	Location	Ref. No.	Location	Ref. No.	Location
D201	B-12	IC503	G-11	IC751	E-13	Q901	H-5
		IC504	H-11	IC752	G-13	Q903	H-4
IC301	C-15	IC508	G-16	IC901	H-8		
IC302	C-14	IC509	H-15	IC902	H-4		
IC453	D-2	IC602	H-9	IC903	H-4		

Note 1: When the MAIN board is replaced, format it according to the "NOTE OF MAIN BOARD REPLACING" (refer to page 4) of the servicing notes.

Note 2: CN602, IC301, IC302, IC453, IC503, IC508, IC509, IC602, IC751, IC752, IC901 and IC902 on the MAIN board cannot exchange with single. When CN602, IC301, IC302, IC453, IC503, IC508, IC509, IC602, IC751, IC752, IC901 and IC902 on the MAIN board are damaged, exchange the entire mounted board.

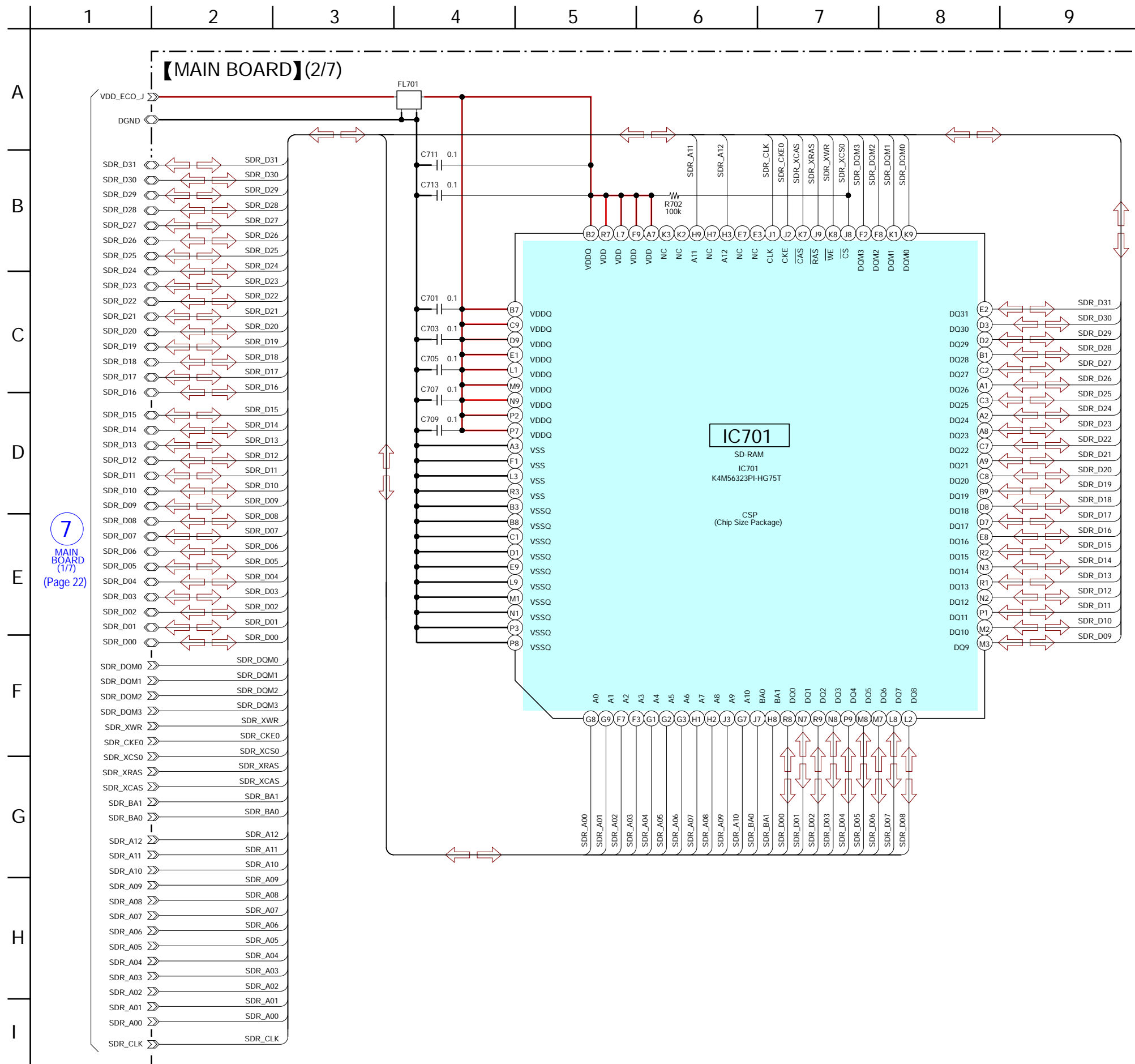
5-5. SCHEMATIC DIAGRAM - MAIN Board (1/7) - • See page 32 for IC Block Diagrams. • See page 34 for IC Pin Function Description.



Note 1: When the MAIN board is replaced, format it according to the "NOTE OF MAIN BOARD REPLACING" (refer to page 4) of the servicing notes.

Note 2: CN601, CN602, IC601 and IC602 on the MAIN board cannot exchange with single. When CN601, CN602, IC601 and IC602 on the MAIN board are damaged, exchange the entire mounted board.

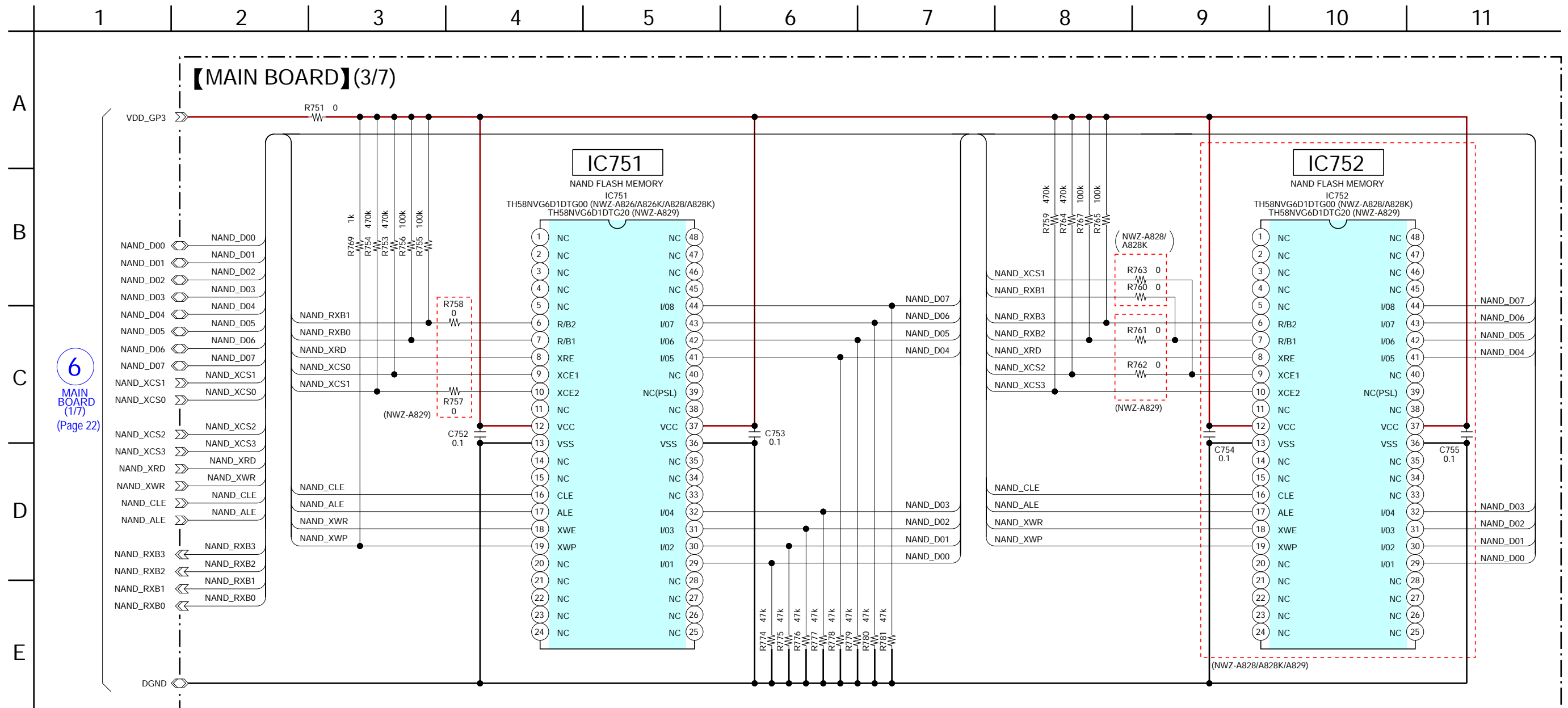
5-6. SCHEMATIC DIAGRAM - MAIN Board (2/7) -



Note 1: When the MAIN board is replaced, format it according to the "NOTE OF MAIN BOARD REPLACING" (refer to page 4) of the servicing notes.

Note 2: IC701 on the MAIN board cannot exchange with single. When IC701 on the MAIN board is damaged, exchange the entire mounted board.

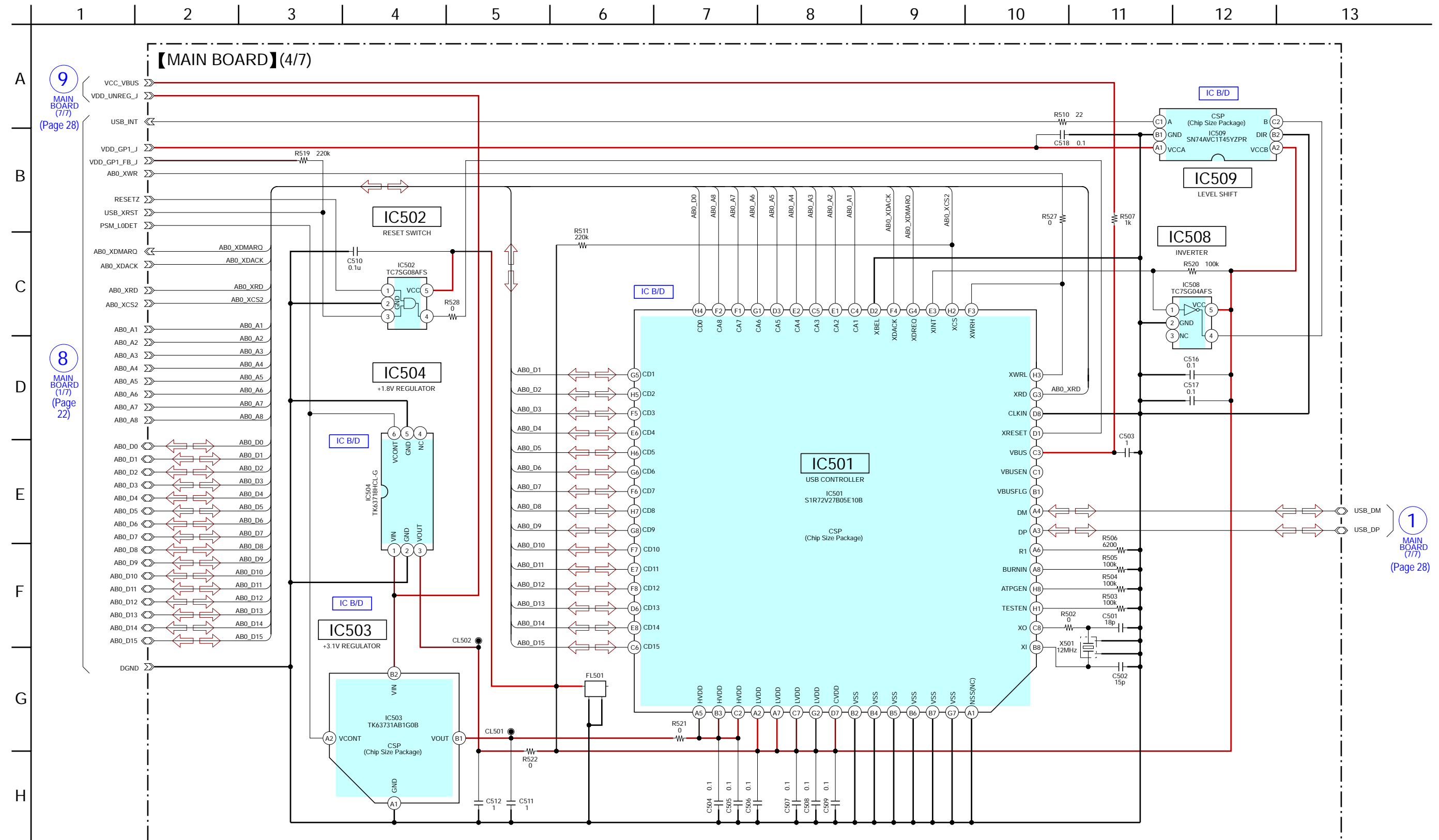
5-7. SCHEMATIC DIAGRAM - MAIN Board (3/7) -



Note 1: When the MAIN board is replaced, format it according to the "NOTE OF MAIN BOARD REPLACING" (refer to page 4) of the servicing notes.

Note 2: IC751 and IC752 on the MAIN board cannot exchange with single. When IC751 and IC752 on the MAIN board are damaged, exchange the entire mounted board.

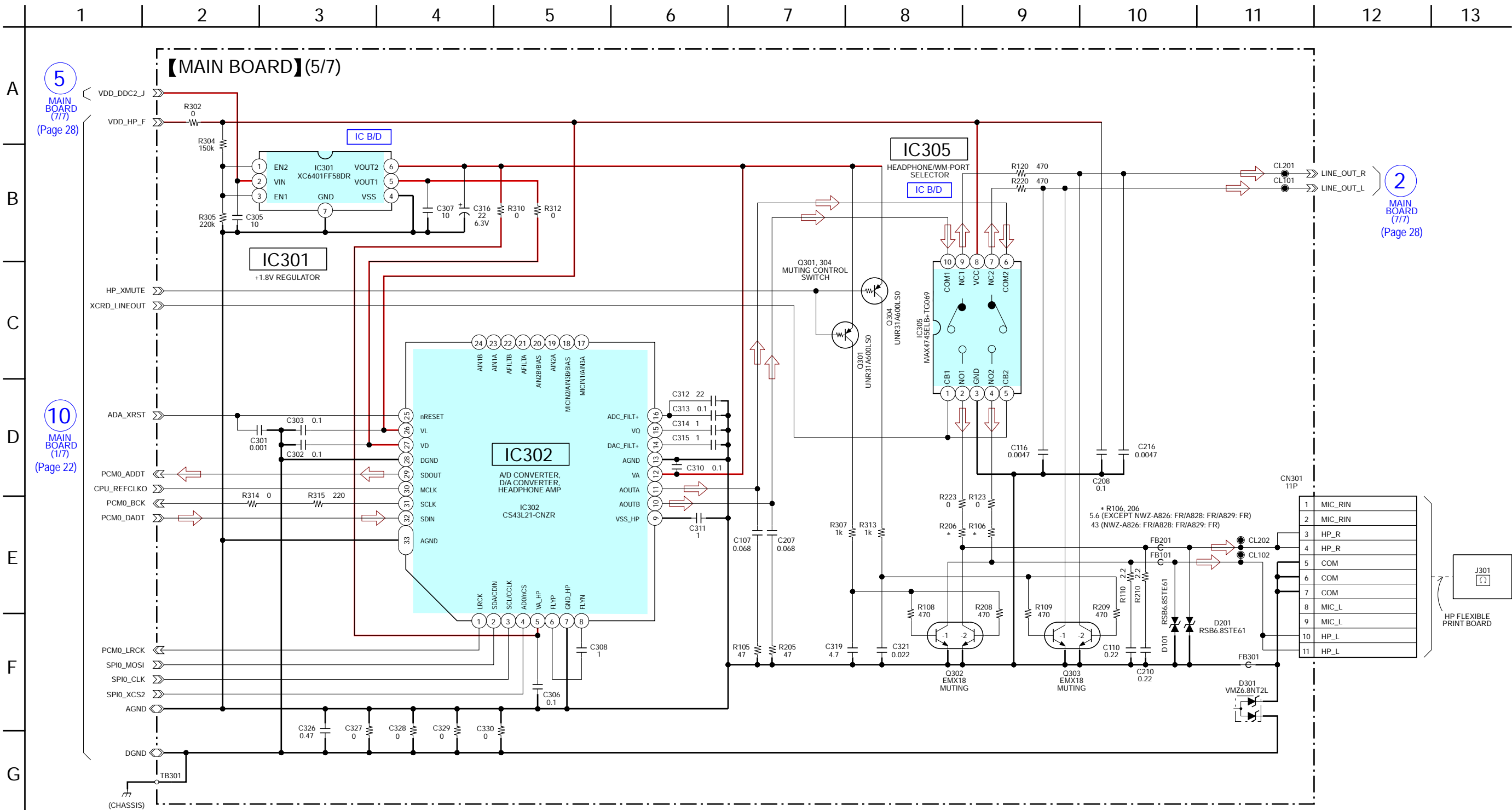
5-8. SCHEMATIC DIAGRAM - MAIN Board (4/7) - • See page 32 for IC Block Diagrams.



Note 1: When the MAIN board is replaced, format it according to the "NOTE OF MAIN BOARD REPLACING" (refer to page 4) of the servicing notes.

Note 2: IC501, IC503, IC508 and IC509 on the MAIN board cannot exchange with single. When IC501, IC503, IC508 and IC509 on the MAIN board are damaged, exchange the entire mounted board.

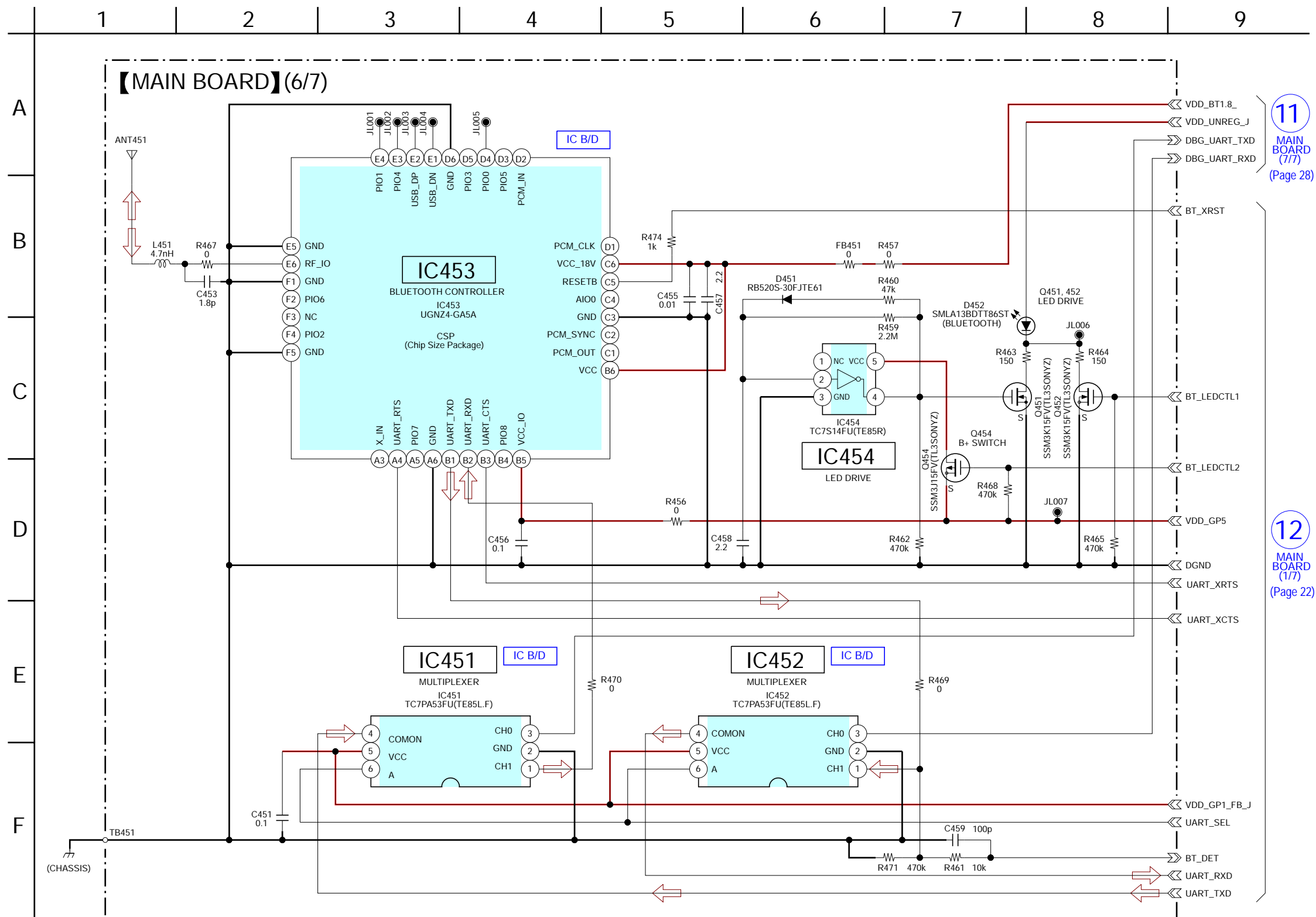
5-9. SCHEMATIC DIAGRAM - MAIN Board (5/7) - • See page 32 for IC Block Diagrams. • See page 34 for IC Pin Function Description.



Note 1: When the MAIN board is replaced, format it according to the "NOTE OF MAIN BOARD REPLACING" (refer to page 4) of the servicing notes.

Note 2: IC301, IC302 and IC305 on the MAIN board cannot exchange with single. When IC301, IC302 and IC305 on the MAIN board are damaged, exchange the entire mounted board.

5-10. SCHEMATIC DIAGRAM - MAIN Board (6/7) - • See page 32 for IC Block Diagrams.



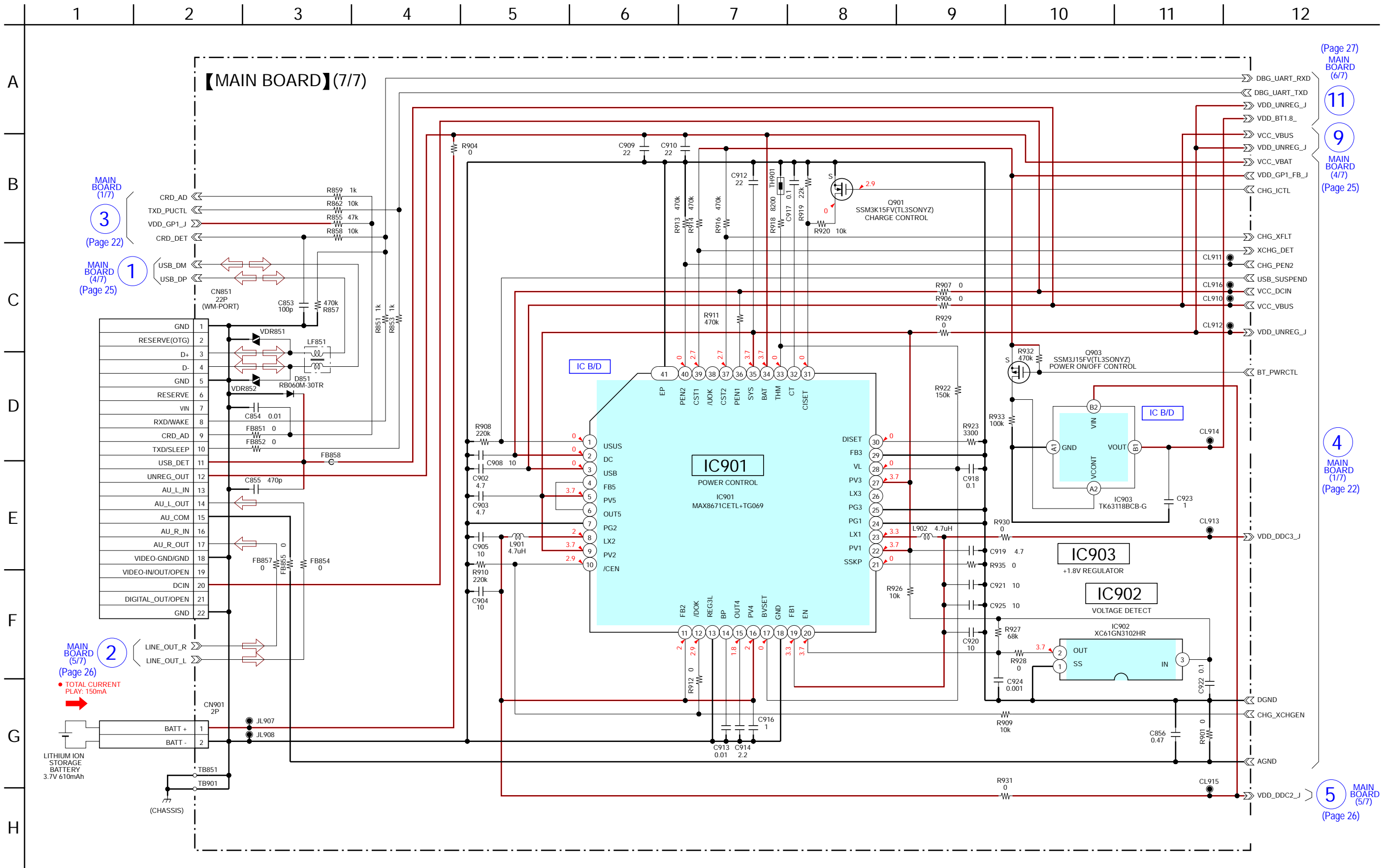
11
MAIN BOARD (7/7)
(Page 28)

12
MAIN BOARD (1/7)
(Page 22)

Note 1: When the MAIN board is replaced, format it according to the "NOTE OF MAIN BOARD REPLACING" (refer to page 4) of the servicing notes.

Note 2: IC453 on the MAIN board cannot exchange with single. When IC453 on the MAIN board is damaged, exchange the entire mounted board.

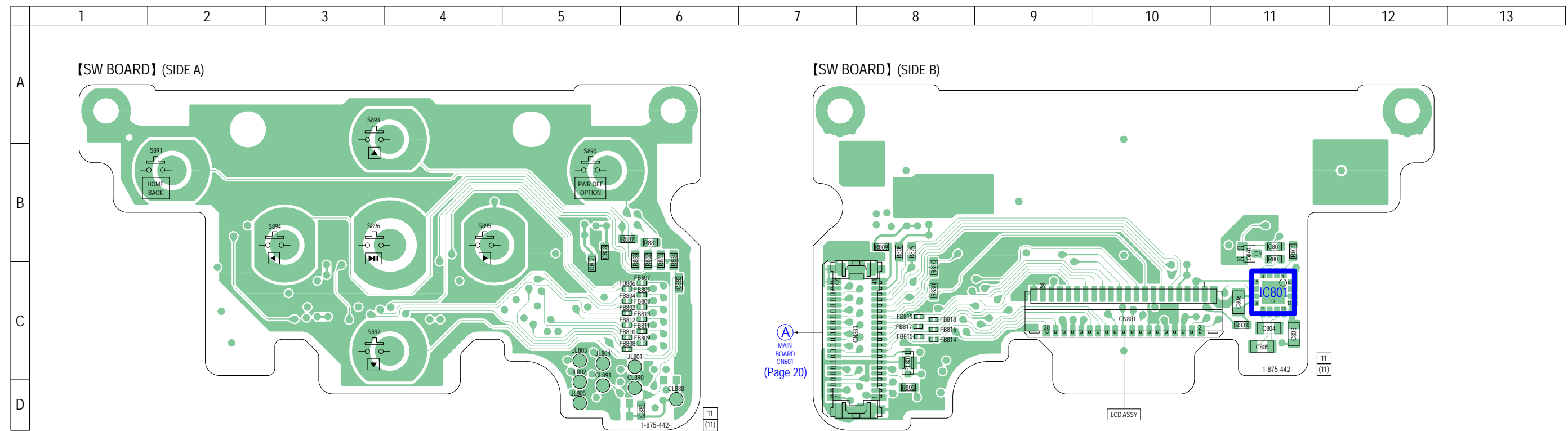
5-11. SCHEMATIC DIAGRAM - MAIN Board (7/7) - • See page 32 for IC Block Diagrams.



Note 1: When the MAIN board is replaced, format it according to the "NOTE OF MAIN BOARD REPLACING" (refer to page 4) of the servicing notes.

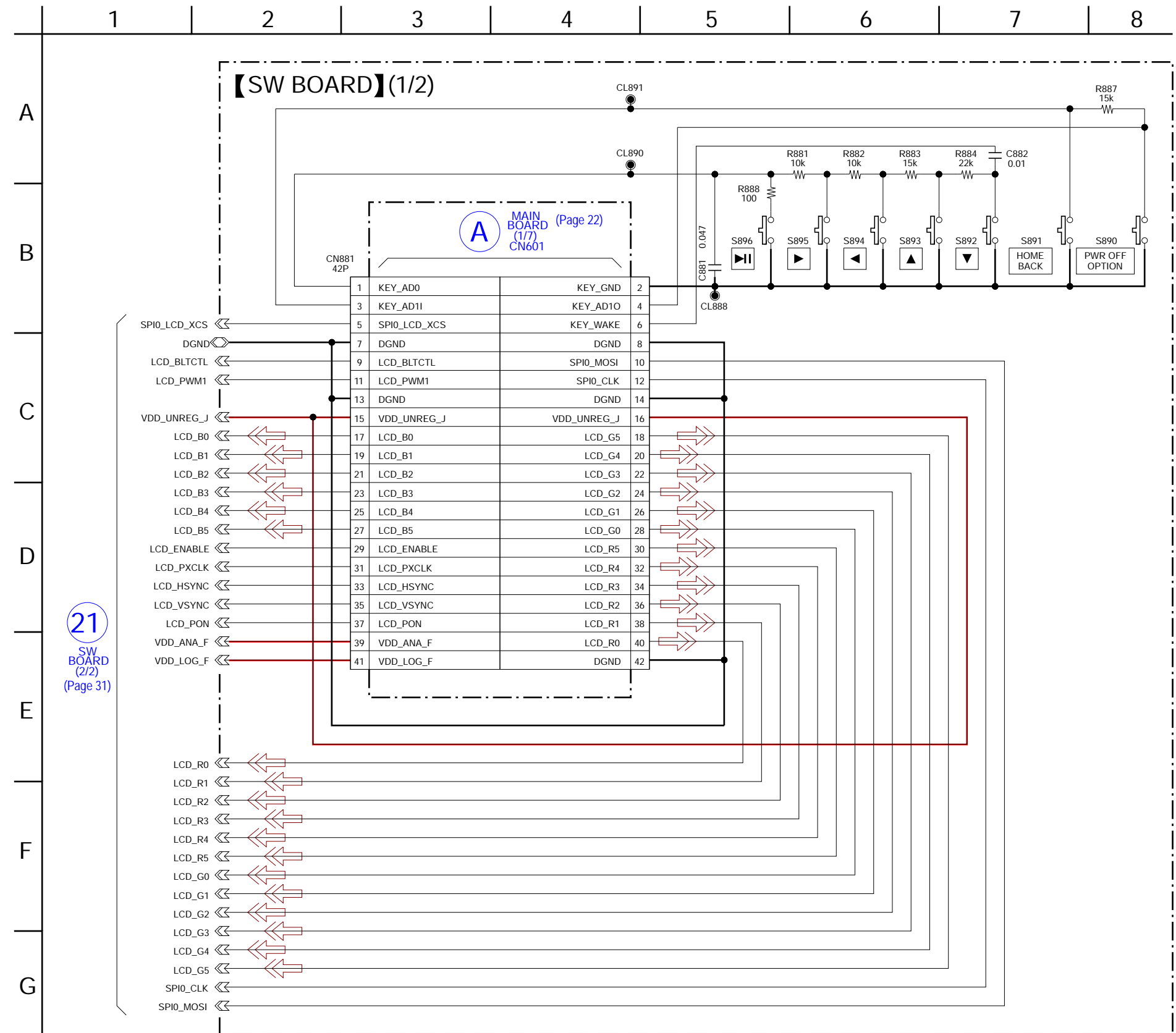
Note 2: IC901 and IC902 on the MAIN board cannot exchange with single. When IC901 and IC902 on the MAIN board are damaged, exchange the entire mounted board.

5-12. PRINTED WIRING BOARD - SW Board - •  : Uses unleaded solder.



Note: CN801, CN881 and IC801 on the SW board cannot exchange with single. When CN801, CN881 and IC801 on the SW board are damaged, exchange the entire mounted board.

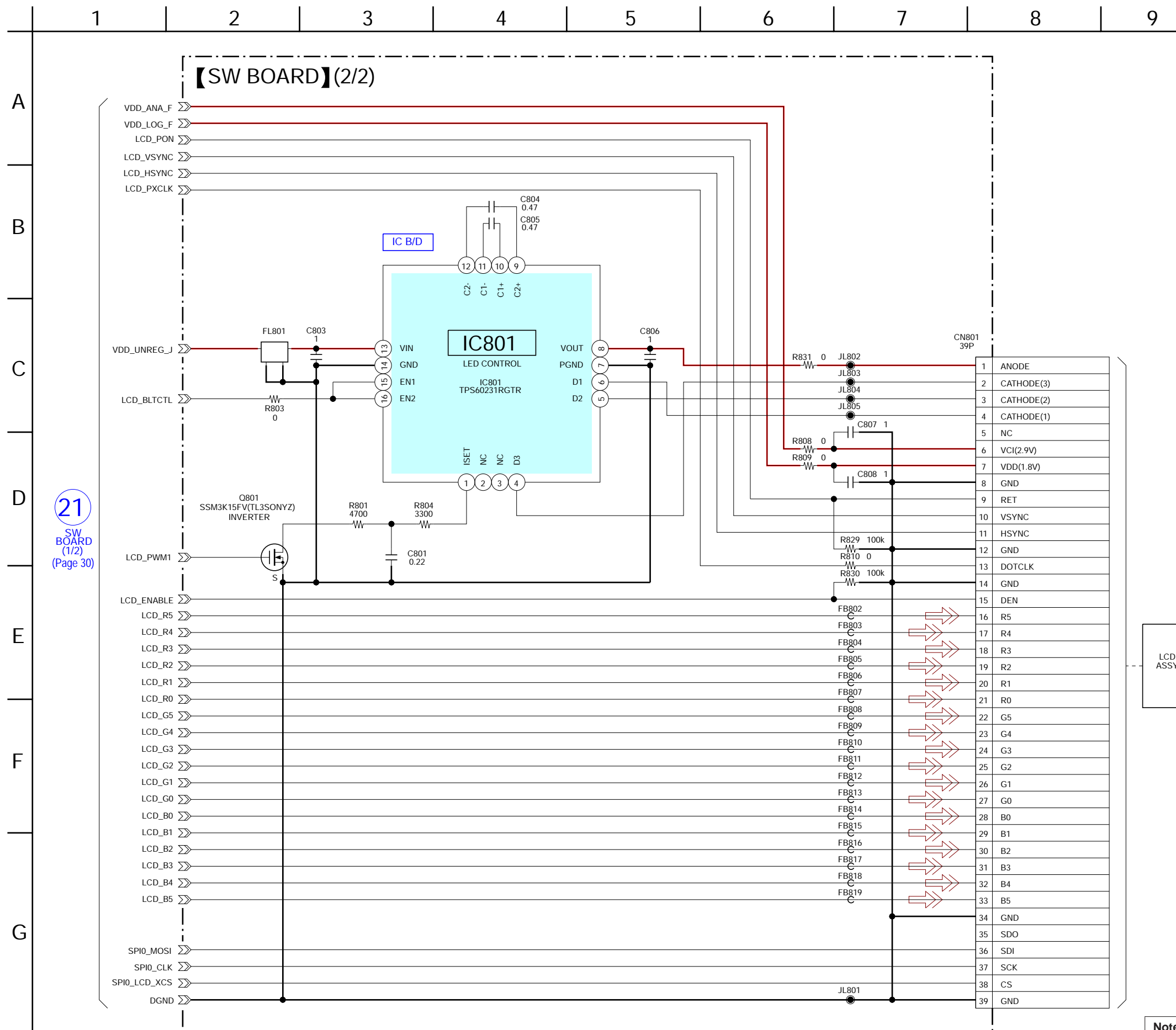
5-13. SCHEMATIC DIAGRAM - SW Board (1/2) -



21
SW BOARD
(2/2)
(Page 31)

Note: CN881 on the SW board cannot exchange with single. When CN881 on the SW board is damaged, exchange the entire mounted board.

5-14. SCHEMATIC DIAGRAM - SW Board (2/2) - • See page 32 for IC Block Diagrams.



21
SW BOARD (1/2)
(Page 30)

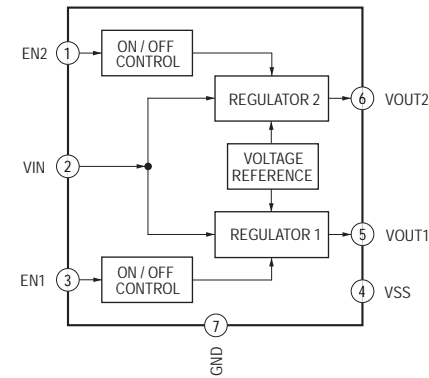
LCD ASSY

Note: CN801 and IC801 on the SW board cannot exchange with single. When CN801 and IC801 on the SW board are damaged, exchange the entire mounted board.

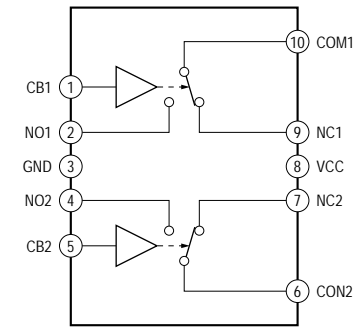
• IC Block Diagrams

– MAIN Board –

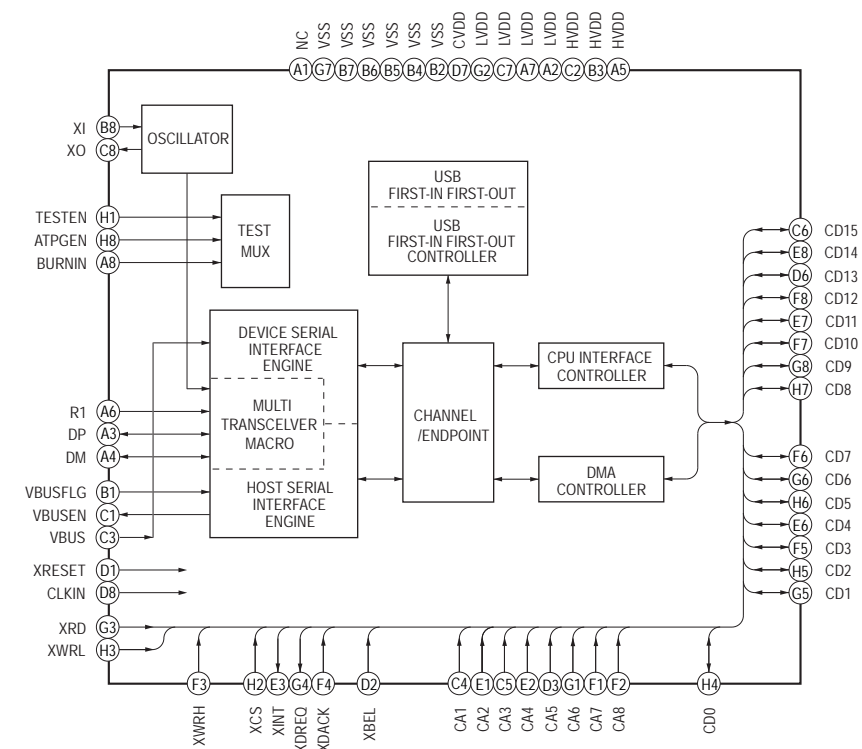
IC301 XC6401FF58DR



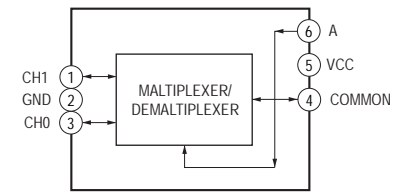
IC305 MAX4745ELB+TG069



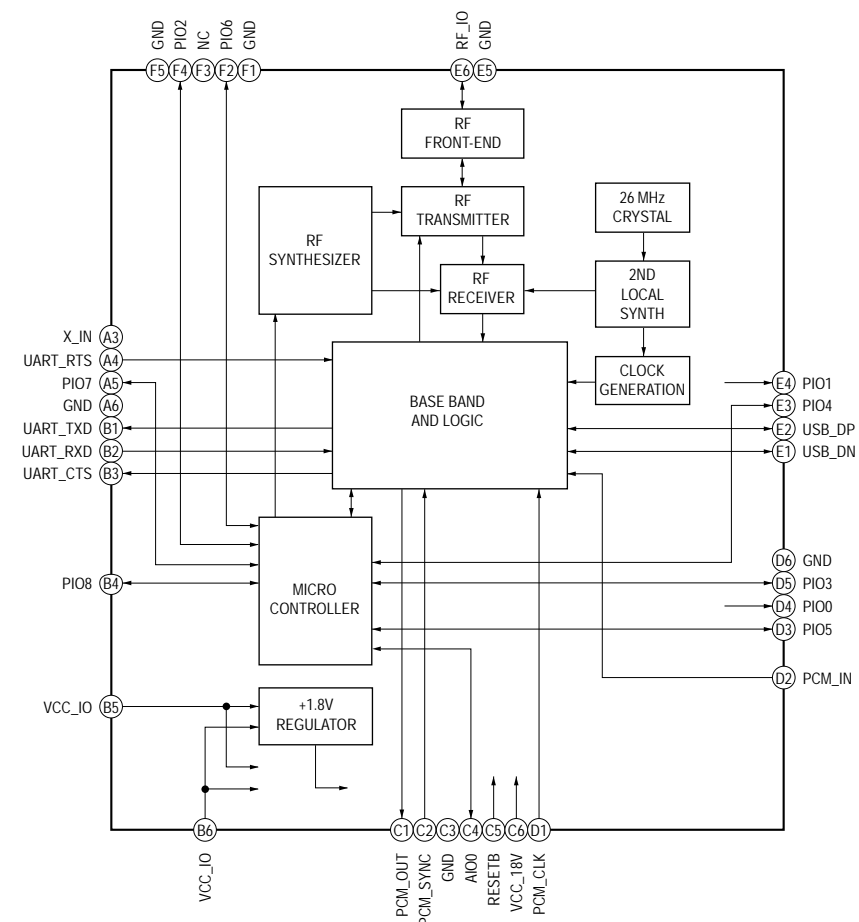
IC501 S1R72V27B05E10B



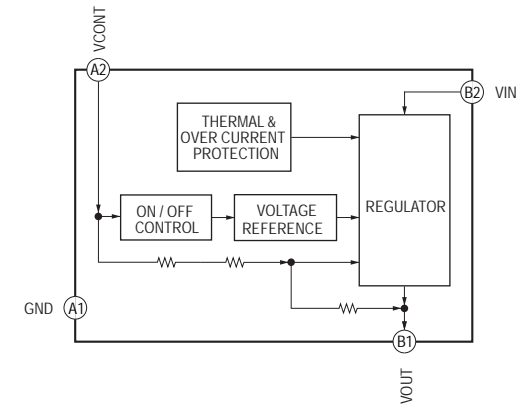
IC451, 452 TC7PA53FU (TE85L.F)



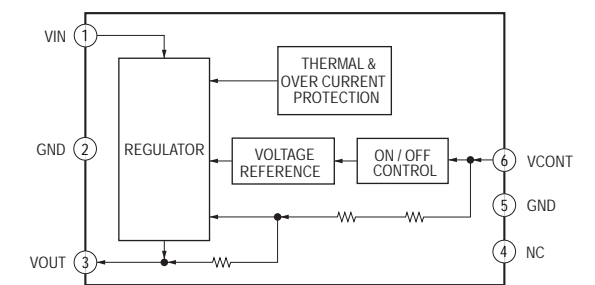
IC453 UGNZ4-GA5A



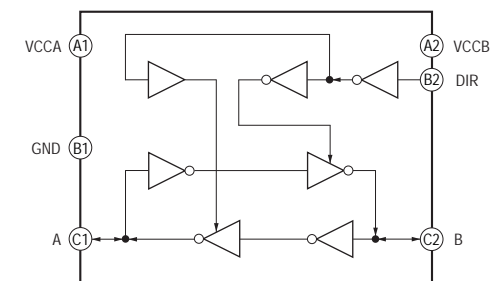
IC503, 602 TK63731AB1G0B



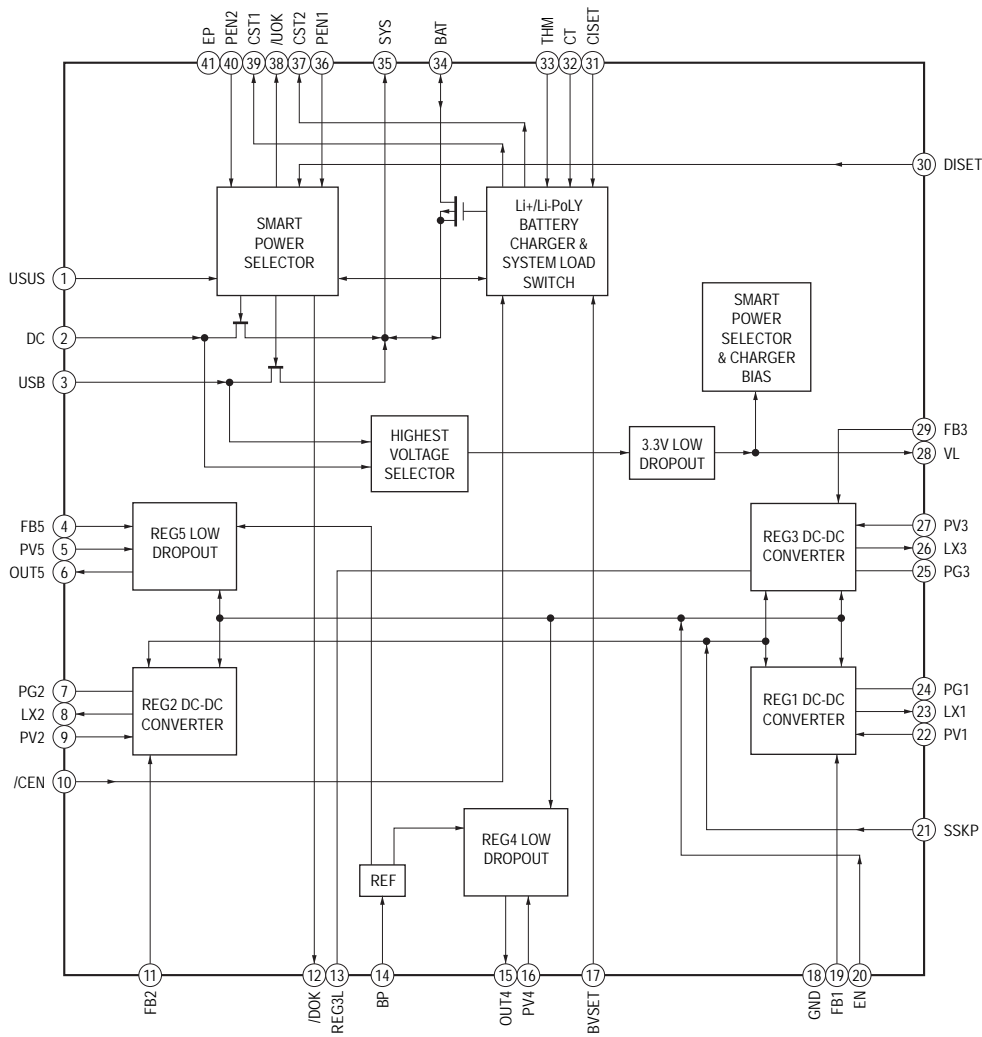
IC504 TK63718HCL-G



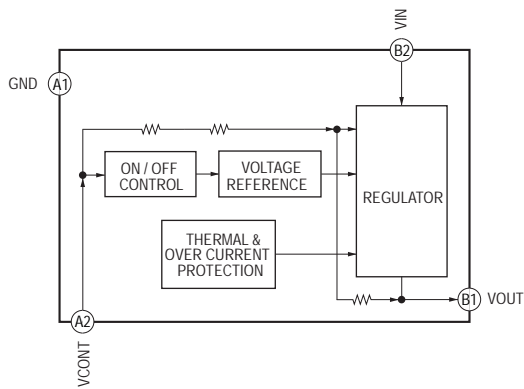
IC509 SN74AVC1T45ZPR



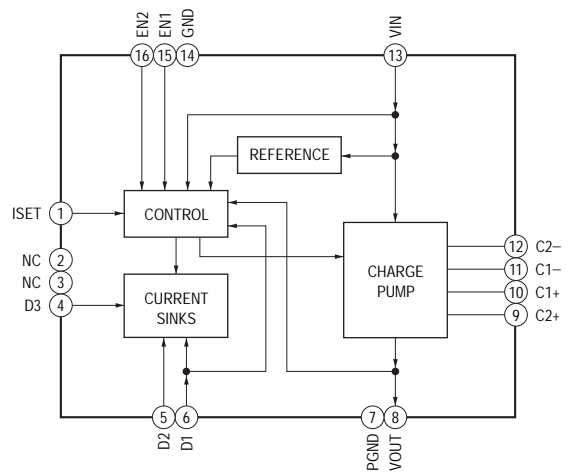
IC901 MAX8671CETL+TG069



IC903 TK63118BCB-G



**- SW Board -
IC801 TPS60231RGTR**



• IC Pin Function Description

MAIN BOARD IC302 CS43L21-CNZR (A/D CONVERTER, D/A CONVERTER, HEADPHONE AMP)

Pin No.	Pin Name	I/O	Description
1	LRCK	O	L/R sampling clock signal output to the system controller
2	SDA/CDIN	I	Serial data input from the system controller
3	SCL/CCLK	I	Serial data transfer clock signal input from the system controller
4	AD0/nCS	I	Chip select signal input from the system controller
5	VA_HP	-	Power supply terminal (+1.8V)
6	FLYP	I	External charge pump capacitor (positive node) connection terminal
7	GND_HP	-	Ground terminal
8	FLYN	I	External charge pump capacitor (negative node) connection terminal
9	VSS_HP	O	Negative voltage from charge pump output terminal
10	AOUTB	O	Analog audio (R-ch) signal output to the headphone and WM-PORT connector
11	AOUTA	O	Analog audio (L-ch) signal output to the headphone and WM-PORT connector
12	VA	-	Power supply terminal (+1.8V)
13	AGND	-	Ground terminal
14	DAC_FILT+	O	Positive reference voltage output terminal
15	VQ	O	Quiescent voltage output terminal
16	ADC_FILT+	O	Positive reference voltage output terminal
17	MICIN1/AIN3A	I	Microphone signal input terminal Not used
18	MICIN2/AIN3B/BIAS	I	Microphone signal input terminal Not used
19	AIN2A	I	Analog audio (L-ch) signal input terminal Not used
20	AIN2B/BIAS	I	Analog audio (R-ch) signal input terminal Not used
21, 22	AFILTA, AFILTB	O	Filter connection terminal Not used
23	AIN1A	I	Analog audio (L-ch) signal input terminal Not used
24	AIN1B	I	Analog audio (R-ch) signal input terminal Not used
25	nRESET	I	Reset signal input from the system controller
26	VL	-	Power supply terminal (+2.9V)
27	VD	-	Power supply terminal (+1.8V)
28	DGND	-	Ground terminal
29	SDOUT	O	Serial audio data output to the system controller
30	MCLK	I	Master clock signal input from the system controller
31	SCLK	O	Bit clock signal output to the system controller
32	SDIN	I	Serial audio data input from the system controller
33	AGND	-	Ground terminal

MAIN BOARD IC601 MC-10051BF1-FAE-A (SYSTEM CONTROLLER, POWER CONTROL)

Pin No.	Pin Name	I/O	Description
A1 to A3	NC	-	Not used
A4	NAND_WEZ	O	Write enable signal output to the NAND flash memory
A5	IO_B	-	Not used
A6 to A10	NC	-	Not used
A11 to A13	GND	-	Ground terminal
A14 to A16	NC	-	Not used
A17	VCCVBUS	I	Power supply input terminal (+5V)
A18	NC	-	Not used
A19	IO_A	-	Not used
A20	VDD_L0	I	Power supply input terminal (+1.2V)
A21	AB0_A8	O	Address signal output to the USB controller
A22 to A26	NC	-	Not used
B1, B2	NC	-	Not used
B3	NAND_CEZ2	O	Chip enable signal output to the NAND flash memory (NWZ-A829 only)
B4	NAND_DA0	I/O	Two-way data bus with the NAND flash memory
B5	IO_B	-	Not used
B6	KEY_AD1	I	Key input terminal (A/D input)
B7, B8	ADIN6, ADIN8	-	Not used
B9	ADVCC	I	Power supply input terminal (+2.85V)
B10	CPEN	-	Not used
B11, B12	GND	-	Ground terminal
B13	SWGND	-	Ground terminal
B14	NC	-	Not used
B15	SWADP2	-	Not used
B16	GND	-	Ground terminal
B17	VCCADP	I	Power supply input terminal (+5V)
B18	NC	-	Not used
B19	IO_A	-	Not used
B20	VDD_L0	I	Power supply input terminal (+1.2V)
B21 to B26	NC	-	Not used
C1	NC	-	Not used
C2	NAND_CEZ1	O	Chip enable signal output to the NAND flash memory (NWZ-A828/A828K/A829 only)
C3	NAND_CEZ3	O	Chip enable signal output to the NAND flash memory (NWZ-A828/A828K/A829 only)
C4	NAND_DA1	I/O	Two-way data bus with the NAND flash memory
C5	IO_B	-	Not used
C6	KEY_AD0	I	Key input terminal (A/D input)
C7	ADIN5	-	Not used
C8	CRD_AD	I	A/D value detection signal input from the WM-PORT connector
C9	ADGND	-	Ground terminal
C10	NC	-	Not used
C11	GND	-	Ground terminal
C12	NC	-	Not used
C13	GND	-	Ground terminal
C14	NC	-	Not used
C15	SWADP	-	Not used
C16	CAPVBDL	-	Not used
C17	VCCVBAT	I	Power supply input terminal (+2.3 - 4.2V)
C18	NC	-	Not used
C19	IO_A	-	Not used
C20	AB0_A5	O	Address signal output to the USB controller
C21 to C24	NC	-	Not used
C25	AB0_D1	I/O	Two-way data bus with the USB controller
C26	NC	-	Not used
D1	IDPULLUP	-	Not used

Pin No.	Pin Name	I/O	Description
D2	NAND_RBZ0	O	Read/busy signal output to the NAND flash memory
D3	NAND_ALE	O	Address latch enable signal output to the NAND flash memory
D4	NAND_DA2	I/O	Two-way data bus with the NAND flash memory
D5	IO_B	-	Not used
D6, D7	VDD_L1	I	Power supply input terminal (+1.2V)
D8	GND	-	Ground terminal
D9	NC	-	Not used
D10	GND	-	Ground terminal
D11 to D14	NC	-	Not used
D15	SWVBUS2	-	Not used
D16	CAPVBSW	-	Not used
D17	VCCVBAT	I	Power supply input terminal (+2.3 - 4.2V)
D18	AB0_A3	O	Address signal output to the USB controller
D19	IO_A	-	Not used
D20	AB0_A6	O	Address signal output to the USB controller
D21 to D23	NC	-	Not used
D24, D25	AB0_D0, AB0_D2	I/O	Two-way data bus with the USB controller
D26	NC	-	Not used
E1	DISCHGVBUS	-	Not used
E2	NC	-	Not used
E3	NAND_REZ	O	Read enable signal output to the NAND flash memory
E4	NAND_DA3	I/O	Two-way data bus with the NAND flash memory
E5	IO_B	-	Not used
E6	NAND_DA5	I/O	Two-way data bus with the NAND flash memory
E7	NC	-	Not used
E8	NAND_DA7	I/O	Two-way data bus with the NAND flash memory
E9	NAND_CLE	O	Command latch enable signal output to the NAND flash memory
E10	BATSEL	-	Not used
E11	SWBAT	-	Not used
E12	CAPBTDL	-	Not used
E13	CAPADDL	-	Not used
E14	NC	-	Not used
E15	SWVBUS	-	Not used
E16, E17	NC	-	Not used
E18	AB0_A4	O	Address signal output to the USB controller
E19	FLASHCLK	O	Clock signal output terminal Not used
E20	AB0_A7	O	Address signal output to the USB controller
E21 to E23	NC	-	Not used
E24	AB0_XDMARQ	I	Request signal input from the USB controller
E25	AB0_D4	I/O	Two-way data bus with the USB controller
E26	NC	-	Not used
F1	DGND	-	Ground terminal
F2	CHGVBUS	-	Not used
F3, F4	NC	-	Not used
F5	IO_B	-	Not used
F22	AB0_CSZ2	O	Chip select signal output to the USB controller
F23	AB0_DACK	O	Acknowledge signal output to the USB controller
F24, F25	AB0_D3, AB0_D5	I/O	Two-way data bus with the USB controller
F26	NC	-	Not used
G1	DVDD	I	Power supply input terminal (+2.85V)
G2, G3	NC	-	Not used
G4	EXTRST	I	RESET switch input terminal
G5	NC	-	Not used
G22	ETHER_XINT	-	Not used

Pin No.	Pin Name	I/O	Description
G23 to G25	AB0_D15 to AB0_D13	I/O	Two-way data bus with the USB controller
G26	NC	-	Not used
H1	USBSUSPD	-	Not used
H2	NC	-	Not used
H3 to H5	SDR_DATA25, SDR_DATA27, SDR_DATA31	I/O	Two-way data bus with the SD-RAM
H8	NAND_RBZ1	O	Read/busy signal output to the NAND flash memory (NWZ-A828/A828K/A829 only)
H9	BT_XRST	O	Reset signal output to the bluetooth controller
H10	BT_PWRCTL	O	Power control signal output terminal for the bluetooth section
H11, H12	NC	-	Not used
H13	NC_PWRON	O	Power control signal output terminal Not used
H14, H15	NC	-	Not used
H16	AB0_WRZ	O	Write strobe signal output to the USB controller
H17	NC	-	Not used
H18, H19	AB0_A1, AB0_A2	O	Address signal output to the USB controller
H22 to H25	AB0_D8, AB0_D9, AB0_D7, AB0_D6	I/O	Two-way data bus with the USB controller
H26	NC	-	Not used
J1 to J3	IO_A	-	Not used
J4, J5	SDR_DATA29, SDR_DATA30	I/O	Two-way data bus with the SD-RAM
J8	NAND_RBZ2	O	Read/busy signal output to the NAND flash memory (NWZ-A829 only)
J9	BT_LEDCTL2	O	LED drive signal output terminal for the bluetooth indicator
J10	SPI_CS_SEL	O	Chip select signal selection signal output terminal Not used
J11 to J17	GND	-	Ground terminal
J18	NC	-	Not used
J19	AB0_RDZ	O	Read strobe signal output to the USB controller
J22 to J24	AB0_D10 to AB0_D12	I/O	Two-way data bus with the USB controller
J25	CHGGND1	-	Ground terminal
J26	NC	-	Not used
K1 to K3	VDD_L1	I	Power supply input terminal (+1.2V)
K4, K5	SDR_DATA28, SDR_DATA26	I/O	Two-way data bus with the SD-RAM
K8	NAND_RBZ3	O	Read/busy signal output to the NAND flash memory (NWZ-A828/A828K/A829 only)
K9	NAND_DA6	I/O	Two-way data bus with the NAND flash memory
K10 to K18	GND	-	Ground terminal
K19	NC	-	Not used
K22	LCD_HSYNC	O	Horizontal sync signal output to the liquid crystal display
K23	LCD_ENABLE	O	Enable signal output to the liquid crystal display
K24	LCD_VSYNC	O	Vertical sync signal output to the liquid crystal display
K25	CHGGND2	-	Ground terminal
K26	NC	-	Not used
L1 to L5	SDR_DATA23 to SDR_DATA20, SDR_DATA24	I/O	Two-way data bus with the SD-RAM
L8	SDR_DATA19	I/O	Two-way data bus with the SD-RAM
L9	NAND_DA4	I/O	Two-way data bus with the NAND flash memory
L10	GND	-	Ground terminal
L11	NC	-	Not used
L17, L18	GND	-	Ground terminal
L19	LCD_B1	O	RGB video (blue) signal output to the liquid crystal display
L22 to L25	LCD_B2 to LCD_B5	O	RGB video (blue) signal output to the liquid crystal display
L26	NC	-	Not used
M1 to M5	SDR_DATA18 to SDR_DATA14	I/O	Two-way data bus with the SD-RAM
M8	SDR_DATA13	I/O	Two-way data bus with the SD-RAM

Pin No.	Pin Name	I/O	Description
M9	NAND_CEZ0	O	Chip enable signal output to the NAND flash memory
M10	GND	-	Ground terminal
M17, M18	GND	-	Ground terminal
M19	LCD_B0	O	RGB video (blue) signal output to the liquid crystal display
M22 to M25	LCD_G0 to LCD_G3	O	RGB video (green) signal output to the liquid crystal display
M26	NC	-	Not used
N1 to N5	SDR_DATA12 to SDR_DATA8	I/O	Two-way data bus with the SD-RAM
N8	SDR_DATA7	I/O	Two-way data bus with the SD-RAM
N9, N10	GND	-	Ground terminal
N17 to N19	GND	-	Ground terminal
N22, N23	LCD_G4, LCD_G5	O	RGB video (green) signal output to the liquid crystal display
N24, N25	LCD_R0, LCD_R1	O	RGB video (red) signal output to the liquid crystal display
N26	VMICIN	I	Power supply input terminal (+2.9 - 4.2V)
P1 to P4	SDR_DATA5 to SDR_DATA2	I/O	Two-way data bus with the SD-RAM
P5	SDR_DQM0	O	Write mask signal output to the SD-RAM
P8	SDR_DATA6	I/O	Two-way data bus with the SD-RAM
P9	GND	-	Ground terminal
P10	RESETZ	O	Reset signal output to the USB controller
P17 to P19	GND	-	Ground terminal
P22	LCD_R3	O	RGB video (red) signal output to the liquid crystal display
P23	LCD_PXCLK	O	Pixel clock signal output to the liquid crystal display
P24	NC	-	Not used
P25, P26	IO_A	-	Not used
R1	SDR_DATA0	I/O	Two-way data bus with the SD-RAM
R2 to R4	SDR_DQM3 to SDR_DQM1	O	Write mask signal output to the SD-RAM
R5	SDR_WEZ	O	Write enable signal output to the SD-RAM
R8	SDR_DATA1	I/O	Two-way data bus with the SD-RAM
R9	GND	-	Ground terminal
R10	NC	-	Not used
R17	U70_CTSZ	O	CTS signal output to the bluetooth controller
R18	U70_RTSZ	I	RTS signal input from the bluetooth controller
R19	GND	-	Ground terminal
R22, R23	LCD_R2, LCD_R4	O	RGB video (red) signal output to the liquid crystal display
R24	GNDSINK	-	Ground terminal
R25	VDD_L0	I	Power supply input terminal (+1.2V)
R26	NC	-	Not used
T1	SDR_CKE0	O	Clock enable signal output to the SD-RAM
T2	NC	-	Not used
T3	SDR_CSZ0	O	Chip select signal output to the SD-RAM
T4	SDR_BA1	O	Bank address signal output to the SD-RAM
T5	SDR_RASZ	O	Row address strobe signal output to the SD-RAM
T8	NC	-	Not used
T9	GND	-	Ground terminal
T10	NC	-	Not used
T17	U70_SOUT	O	Serial data output to the WM-PORT connector and bluetooth controller
T18	U70_SRIN	I	Serial data input from the WM-PORT connector and bluetooth controller
T19	GND	-	Ground terminal
T22	LCD_R5	O	RGB video (red) signal output to the liquid crystal display
T23	NC	-	Not used
T24	C_TMS	I	Mode selection signal input terminal for JTAG
T25	VLOG	O	Power supply output terminal (+1.8V)
T26	CKO	O	Main system clock output terminal (11.2896 MHz)

Pin No.	Pin Name	I/O	Description
U1 to U5	SDR_A12 to SDR_A8	O	Address signal output to the SD-RAM
U8	SDR_CASZ	O	Column address strobe signal output to the SD-RAM
U9	GND	-	Ground terminal
U10 to U12	NC	-	Not used
U13	WAKEUP	O	Wake up signal output terminal
U14	PSM_LODET	O	USB power control signal output terminal
U15	L1_DET	-	Not used
U16	ERR_RST_REQZ	-	Not used
U17	NC	-	Not used
U18	REFCLKO	O	Master clock signal output to the A/D, D/A converter
U19	NC_OUT_SEL	O	Line output selection signal output terminal Not used
U22	C_TDO	O	Data output terminal for JTAG
U23	VLOGIN	I	Power supply input terminal (+2.9 - 4.2V)
U24	C_TCK	I	Clock signal input terminal for JTAG
U25	VPLL	O	Power supply output terminal (+1.2V)
U26	CKI	I	Main system clock input terminal (11.2896 MHz)
V1 to V3	IO_A	-	Not used
V4, V5	SDR_A6, SDR_A5	O	Address signal output to the SD-RAM
V8	SDR_A7	O	Address signal output to the SD-RAM
V9	GND	-	Ground terminal
V10	CHG_XCHGEN	O	Charge enable signal output to the power control
V11	NC	-	Not used
V12 to V15	GND	-	Ground terminal
V16	DSP_DET	-	Not used
V17	LCD_BLTCTL	O	LCD back light control signal output to the LED control
V18	UART_SEL	O	Serial data select signal output to the multiplexer
V19	NCHP_DET	I	Headphone detection signal input terminal Not used
V22	C_RTCK	I	Clock signal input terminal for JTAG
V23	C_TRSTZ	I	Reset signal input terminal for JTAG
V24	VPLLIN	I	Power supply input terminal (+2V)
V25	VDSPIN	I	Power supply input terminal (+2.9 - 4.2V)
V26	VDSP	-	Not used
W1	IOGND	-	Ground terminal
W2	NC	-	Not used
W3	LCD_PON	O	Reset signal output to the liquid crystal display
W4, W5	SDR_A4, SDR_A3	O	Address signal output to the SD-RAM
W8	CHG_PEN2	O	Charge enable signal output to the power control
W9	GND	-	Ground terminal
W10	NC	-	Not used
W11 to W18	GND	-	Ground terminal
W19	WR_ERR	-	Not used
W22	NC_PLUG_PWR	O	Power control signal output terminal Not used
W23	C_TDI	I	Data input terminal for JTAG
W24, W25	IO_B	-	Not used
W26	VLO	O	Power supply output terminal (+1.2V)
Y1	IOVDD	I	Power supply input terminal (+2.85V)
Y2	CHG_ICTL	O	Charge control signal output to the power control
Y3	HP_XMUTE	O	Analog muting control signal output terminal
Y4, Y5	SDR_A2, SDR_A1	O	Address signal output to the SD-RAM
Y22, Y23	TM1, TM0	-	Not used
Y24, Y25	VDD_DSP	I	Power supply input terminal (+1.2V)
Y26	VHP	O	Power supply output terminal (+2.9V)
AA1	CRD_LINEOUT	O	Line output selection signal output terminal
AA2	WAKEUP_INT	I	Wake up signal input terminal

NWZ-A826/A826K/A828/A828K/A829

Pin No.	Pin Name	I/O	Description
AA3	TU_STO	I	Status signal input terminal Not used
AA4	SDR_A0	O	Address signal output to the SD-RAM
AA5	SDR_CLK	O	Clock signal output to the SD-RAM
AA22, AA23	GND	-	Ground terminal
AA24	TM2	-	Not used
AA25	VANAIN	I	Power supply input terminal (+2.9 - 4.2V)
AA26	VANA	O	Power supply output terminal (+2.85V)
AB1	VDD_L0	I	Power supply input terminal (+1.2V)
AB2	TXD_PUCTL	I	Serial data input terminal
AB3	CRD_DET	I	Wake up signal input from the WM-PORT connector
AB4	CHG_XFLT	I	Fault signal input from the power control
AB5	SDR_BA0	O	Bank address signal output to the SD-RAM
AB6, AB7	NC	-	Not used
AB8	USB_SUSPEND	O	USB suspend signal output to the power control
AB9	IO_C	-	Not used
AB10 to AB12	NC	-	Not used
AB13	USB_XRST	O	Reset signal output to the USB controller
AB14	USB_INT2	I	Interrupt request signal input from the USB controller
AB15 to AB17	MS_DATA3, MS_DATA2, MS_DATA0	-	Not used
AB18	MS_INSZ	-	Not used
AB19	WR_LEDCTL	-	Not used
AB20	PM1_SEN	-	Not used
AB21	PM1_CLK	-	Not used
AB22	PM0_SEN	I	L/R sampling clock signal input from the A/D, D/A converter
AB23, AB24	GND	-	Ground terminal
AB25	GND1	-	Ground terminal
AB26	OSCIN	I	Sub system clock input terminal (32.768 kHz)
AC1 to AC3	IO_A	-	Not used
AC4	XCHG_DET	I	Charge detection signal input from the power control
AC5	USB_INT1	I	Interrupt request signal input from the USB controller
AC6	SPIO_XCS0	O	Chip select signal output to the liquid crystal display
AC7	SPIO_SK	O	Serial data transfer clock signal output to the A/D, D/A converter and liquid crystal display
AC8	SPIO_SO	O	Serial data output to the A/D, D/A converter and liquid crystal display
AC9	IO_C	-	Not used
AC10 to AC13	NC	-	Not used
AC14	AVDD_LPLL	I	Power supply input terminal (+1.2V)
AC15	AVDD_HPLL	I	Power supply input terminal (+1.2V)
AC16	MS_DATA1	-	Not used
AC17	MS_BS	-	Not used
AC18	MS_SCK0	-	Not used
AC19	NC	-	Not used
AC20	ADA_XRST	O	Reset signal output to the A/D, D/A converter
AC21	PM0_CLK	I	Bit clock signal input from the A/D, D/A converter
AC22	PM0_SO	O	Serial audio data output to the A/D, D/A converter
AC23	BT_LEDCTL1	O	LED drive signal output terminal for the bluetooth indicator
AC24	VLOIN	I	Power supply input terminal (+1.8V)
AC25	IO_C	-	Not used
AC26	OSCOUT	O	Sub system clock output terminal (32.768 kHz)
AD1	NC	-	Not used
AD2	BT_DET	I	Bluetooth signal detection signal input terminal
AD3	XNC_KEY	I	Key input terminal Not used

Pin No.	Pin Name	I/O	Description
AD4	XHOLD_KEY	I	HOLD switch input terminal
AD5	KEY_WAKE	I	Wake up signal input terminal
AD6	NC	-	Not used
AD7	SPI0_CSZ2	O	Chip select signal output to the A/D, D/A converter
AD8	VDD_L1	I	Power supply input terminal (+1.2V)
AD9	IO_C	-	Not used
AD10 to AD13	NC	-	Not used
AD14	AVDD_LPLL	I	Power supply input terminal (+1.2V)
AD15	AVDD_HPLL	I	Power supply input terminal (+1.2V)
AD16	NC	-	Not used
AD17	BKBAT	I	Rechargeable battery voltage detection signal input terminal
AD18	IO_A	-	Not used
AD19	NC	-	Not used
AD20	USB_PWRCTL	-	Not used
AD21	GND2	-	Ground terminal
AD22	PM0_SI	I	Serial audio data input from the A/D, D/A converter
AD23	LCD_PWM1	O	PWM signal output to the LED control
AD24	MICR_DET	I	Microphone detection signal input terminal Not used
AD25	GND3	-	Ground terminal
AD26	NC	-	Not used
AE1, AE2	NC	-	Not used
AE3	DD2VFBK	I	Power supply voltage feedback terminal
AE4	DD2VBSW	O	Power supply output terminal (+1.8V)
AE5	DD2GNDA	-	Ground terminal
AE6	DD2INA	I	Power supply input terminal (+2.9 - 4.2V)
AE7	VDD_L0	I	Power supply input terminal (+1.2V)
AE8	VDD_L1	I	Power supply input terminal (+1.2V)
AE9	IO_C	-	Not used
AE10, AE11	NC	-	Not used
AE12	DD1INA	I	Power supply input terminal (+2.9 - 4.2V)
AE13	IO_B	-	Not used
AE14	AVDD_LPLL	I	Power supply input terminal (+1.2V)
AE15	AVDD_HPLL	I	Power supply input terminal (+1.2V)
AE16	GND	-	Ground terminal
AE17	DD1VFBK	I	Power supply voltage feedback terminal
AE18	VDD_DSP	I	Power supply input terminal (+1.2V)
AE19	IO_A	-	Not used
AE20	VGP12IN	I	Power supply input terminal (+2.9 - 4.2V)
AE21	VGP3IN	I	Power supply input terminal (+2.9 - 4.2V)
AE22	VGP4	O	Reference voltage output terminal
AE23	VGP5	O	Power supply output terminal
AE24	VGP45IN	I	Power supply input terminal (+2.9 - 4.2V)
AE25, AE26	NC	-	Not used
AF1 to AF3	NC	-	Not used
AF4	DD2VFB2	I	Power supply voltage feedback terminal
AF5, AF6	DD2INB1, DD2INB2	I	Power supply input terminal (+2.9 - 4.2V)
AF7 to AF9	DD2LX3, DD2LX1, DD2LX2	O	Power supply output terminal (+1.8V)
AF10, AF11	DD2GNDB1, DD2GNDB2	-	Ground terminal
AF12, AF13	DD1GNDB1, DD1GNDB2	-	Ground terminal
AF14, AF15	DD1LX1, DD1LX2	O	Power supply output terminal (+1.2V)

NWZ-A826/A826K/A828/A828K/A829

Pin No.	Pin Name	I/O	Description
AF16, AF17	DD1INB1, DD1INB2	I	Power supply input terminal (+2.9 - 4.2V)
AF18	DD1VFBK2	I	Power supply voltage feedback terminal
AF19	DD1GNDA	-	Ground terminal
AF20	VGP1	O	Power supply output terminal (+2.85V)
AF21	COM	-	Not used
AF22	NC	-	Not used
AF23	VGP3	O	Power supply output terminal (+2.85V)
AF24 to AF26	NC	-	Not used

SECTION 6 EXPLODED VIEWS

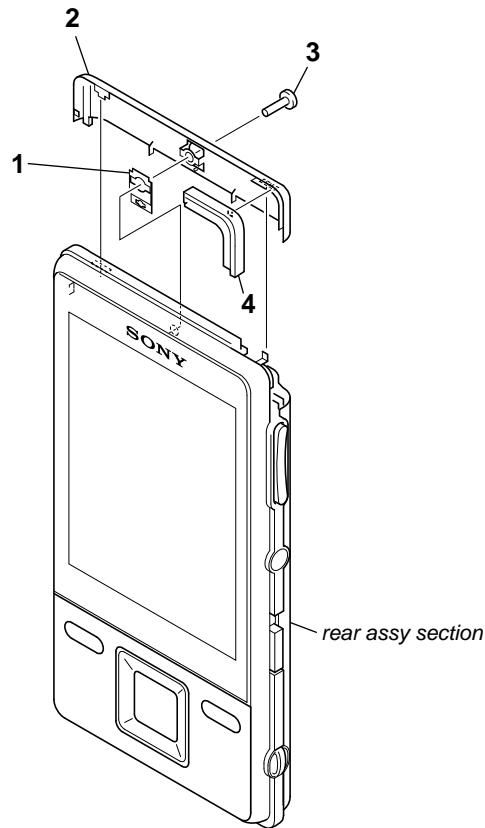
Note:

- -XX and -X mean standardized parts, so they may have some difference from the original one.
- Items marked "*" are not stocked since they are seldom required for routine service. Some delay should be anticipated when ordering these items.
- The mechanical parts with no reference number in the exploded views are not supplied.

- Color Indication of Appearance Parts Example:
 KNOB, BALANCE (WHITE) . . . (RED)
 ↑ ↑
 Parts Color Cabinet's Color
- Accessories are given in the last of the electrical parts list.
- Refer to "COLOR VARIATION" in the "SERVICING NOTES" (page 4) about color variation of model and destination.

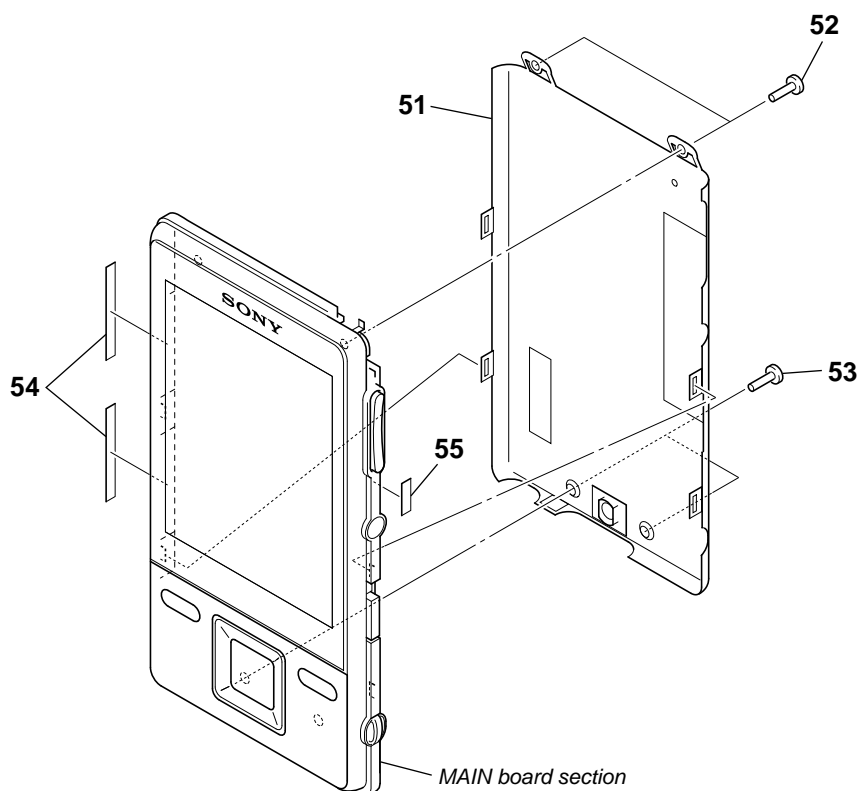
- Abbreviation
 AUS : Australian model
 CH : Chinese model
 CND : Canadian model
 EE : East European model
 FR : French model
 JE : Tourist model
 MX : Mexican model

6-1. COVER (REAR) SECTION



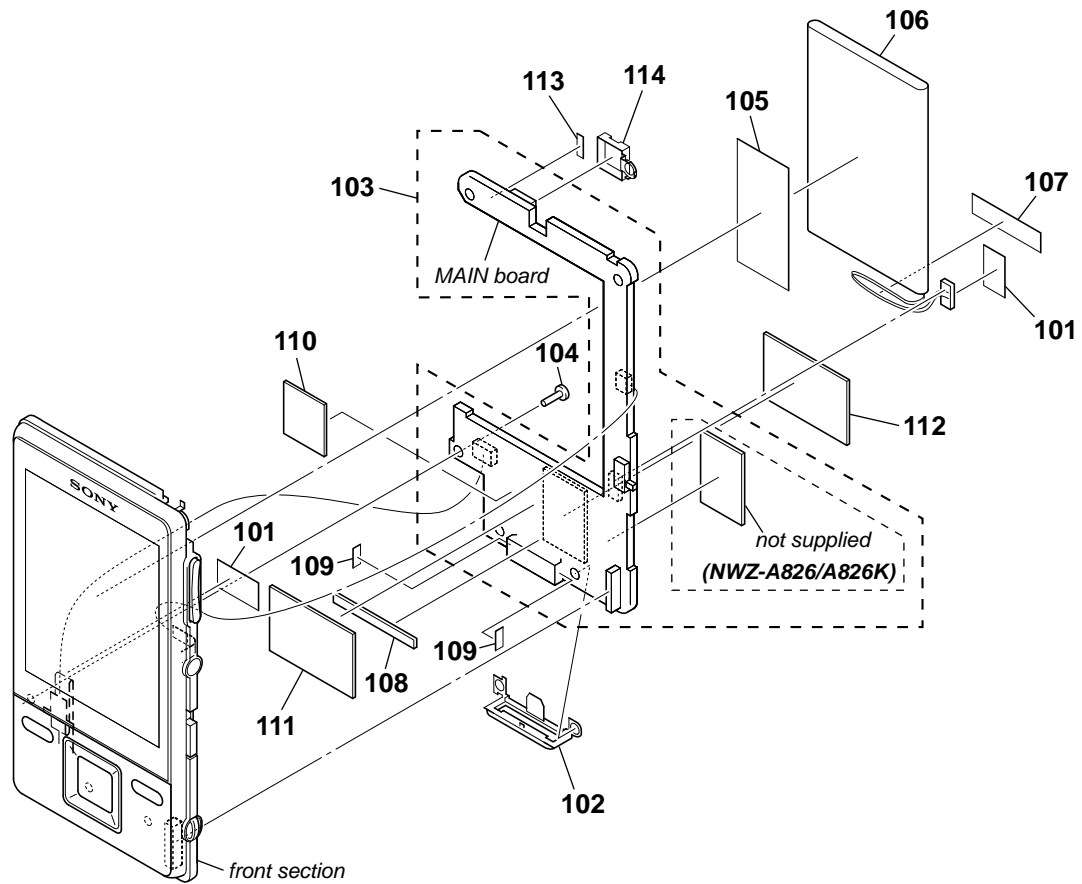
Ref. No.	Part No.	Description	Remark	Ref. No.	Part No.	Description	Remark
1	3-279-345-01	LID (ACC) (for BLACK)		2	3-279-357-61	COVER (REAR) (for PINK)	
1	3-279-345-11	LID (ACC) (for WHITE, SILVER)		2	3-279-357-71	COVER (REAR) (for GOLD)	
1	3-279-345-21	LID (ACC) (for PINK)		3	3-234-449-25	SCREW (M1.4) (for BLACK, GOLD)	
1	3-279-345-31	LID (ACC) (for GOLD)		3	3-234-449-27	SCREW (M1.4) (for WHITE, PINK, SILVER)	
2	3-279-357-41	COVER (REAR) (for BLACK)		4	3-279-358-01	WINDOW (LED)	
2	3-279-357-51	COVER (REAR) (for WHITE, SILVER)					

6-2. REAR ASSY SECTION



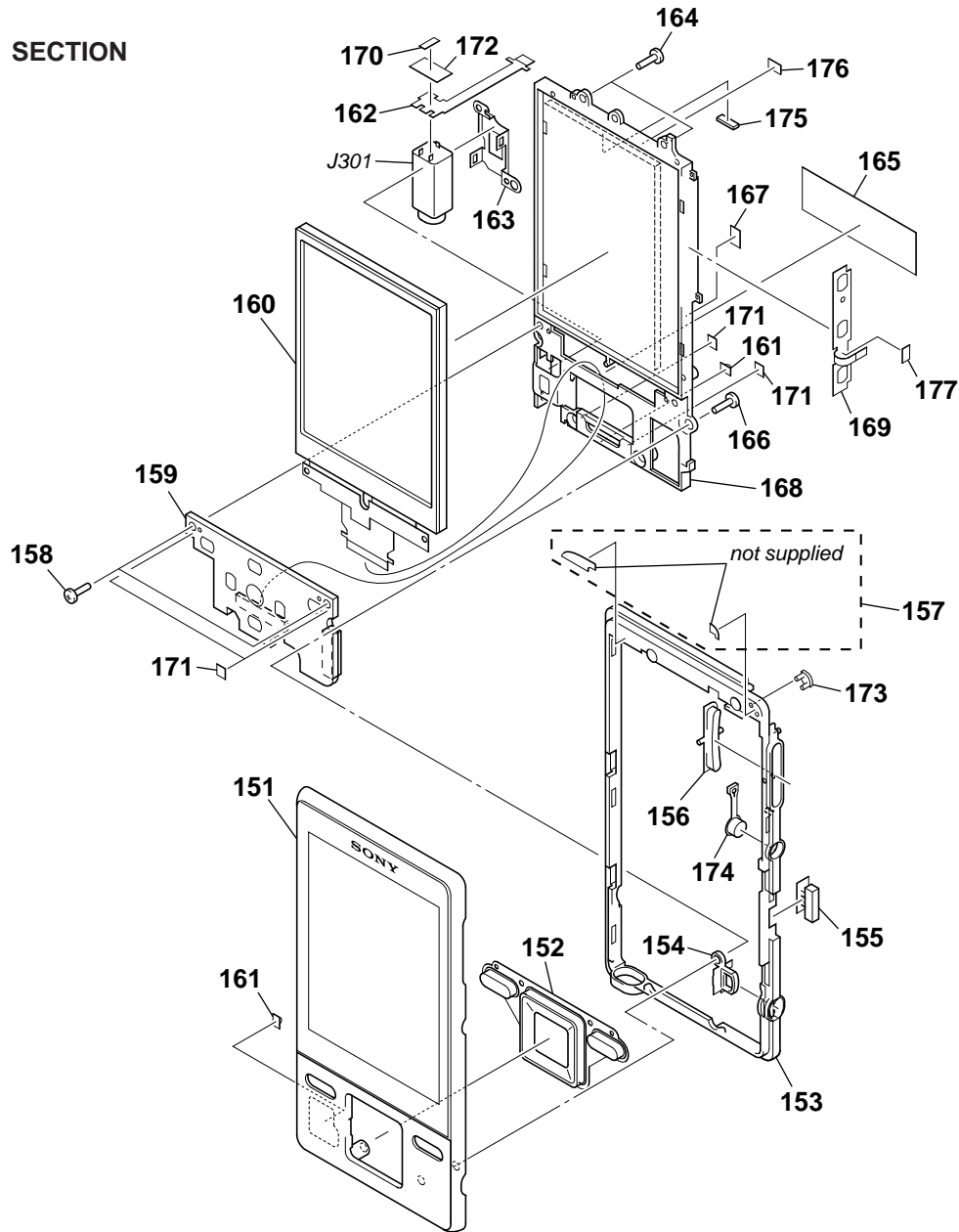
Ref. No.	Part No.	Description	Remark	Ref. No.	Part No.	Description	Remark
51	X-2190-864-1	REAR ASSY (BLACK) (NWZ-A826: AEP, UK)		51	X-2190-892-1	REAR ASSY (BLACK) (NWZ-A828: E)	
51	X-2190-865-1	REAR ASSY (SILVER) (NWZ-A826: AEP, UK)		51	X-2190-893-1	REAR ASSY (PINK) (NWZ-A828: E)	
51	X-2190-866-1	REAR ASSY (PINK) (NWZ-A826: AEP, UK)					
51	X-2190-867-1	REAR ASSY (GOLD) (NWZ-A826: AEP, UK)		51	X-2190-894-1	REAR ASSY (BLACK) (NWZ-A829: AEP, UK)	
51	X-2190-868-1	REAR ASSY (BLACK) (NWZ-A826: FR)		51	X-2190-895-1	REAR ASSY (GOLD) (NWZ-A829: AEP, UK)	
				51	X-2190-896-1	REAR ASSY (BLACK) (NWZ-A829: FR)	
51	X-2190-869-1	REAR ASSY (SILVER) (NWZ-A826: FR)		51	X-2190-897-1	REAR ASSY (GOLD) (NWZ-A829: FR)	
51	X-2190-870-1	REAR ASSY (PINK) (NWZ-A826: FR)		51	X-2190-898-1	REAR ASSY (BLACK) (NWZ-A829: EE)	
51	X-2190-871-1	REAR ASSY (GOLD) (NWZ-A826: FR)					
51	X-2190-872-1	REAR ASSY (BLACK) (NWZ-A826: EE)		51	X-2190-899-1	REAR ASSY (GOLD) (NWZ-A829: EE)	
51	X-2190-873-1	REAR ASSY (SILVER) (NWZ-A826: EE)		51	X-2190-900-1	REAR ASSY (BLACK) (NWZ-A829: US)	
				51	X-2190-901-1	REAR ASSY (BLACK) (NWZ-A829: CND)	
51	X-2190-874-1	REAR ASSY (PINK) (NWZ-A826: EE)		51	X-2190-902-1	REAR ASSY (BLACK) (NWZ-A829: E, JE)	
51	X-2190-875-1	REAR ASSY (GOLD) (NWZ-A826: EE)		51	X-2190-903-1	REAR ASSY (BLACK) (NWZ-A829: MX)	
51	X-2190-876-1	REAR ASSY (BLACK) (NWZ-A826: CH)					
51	X-2190-877-1	REAR ASSY (WHITE) (NWZ-A826: CH)		51	X-2190-904-1	REAR ASSY (PINK) (NWZ-A829: MX)	
51	X-2190-878-1	REAR ASSY (BLACK) (NWZ-A826: E)		51	X-2190-905-1	REAR ASSY (BLACK) (NWZ-A826K: UK)	
				51	X-2190-908-1	REAR ASSY (BLACK) (NWZ-A826K: AEP)	
51	X-2190-879-1	REAR ASSY (BLACK) (NWZ-A828: AEP, UK)		51	X-2190-910-1	REAR ASSY (BLACK) (NWZ-A826K: CND)	
51	X-2190-880-1	REAR ASSY (SILVER) (NWZ-A828: AEP, UK)		51	X-2190-912-1	REAR ASSY (BLACK) (NWZ-A826K: E)	
51	X-2190-881-1	REAR ASSY (PINK) (NWZ-A828: AEP, UK)					
51	X-2190-882-1	REAR ASSY (GOLD) (NWZ-A828: AEP, UK)		51	X-2190-913-1	REAR ASSY (BLACK) (NWZ-A826K: AUS)	
51	X-2190-883-1	REAR ASSY (BLACK) (NWZ-A828: FR)		51	X-2190-914-1	REAR ASSY (BLACK) (NWZ-A828K: UK)	
				51	X-2190-917-1	REAR ASSY (BLACK) (NWZ-A828K: AEP)	
51	X-2190-884-1	REAR ASSY (SILVER) (NWZ-A828: FR)		51	X-2190-918-1	REAR ASSY (BLACK) (NWZ-A828K: US)	
51	X-2190-885-1	REAR ASSY (PINK) (NWZ-A828: FR)		52	3-234-449-31	SCREW (M1.4)	
51	X-2190-886-1	REAR ASSY (GOLD) (NWZ-A828: FR)					
51	X-2190-887-1	REAR ASSY (BLACK) (NWZ-A828: EE)		53	3-279-359-01	SCREW, ORNAMENTAL (for BLACK, GOLD)	
51	X-2190-888-1	REAR ASSY (SILVER) (NWZ-A828: EE)		53	3-279-359-11	SCREW, ORNAMENTAL (for WHITE, PINK, SILVER)	
51	X-2190-889-1	REAR ASSY (PINK) (NWZ-A828: EE)		54	3-874-256-01	SHEET (OA), ADHESIVE	
51	X-2190-890-1	REAR ASSY (GOLD) (NWZ-A828: EE)		55	3-874-257-01	SHEET (OC), ADHESIVE	
51	X-2190-891-1	REAR ASSY (BLACK) (NWZ-A828: CH)					

6-3. MAIN BOARD SECTION



Ref. No.	Part No.	Description	Remark	Ref. No.	Part No.	Description	Remark
101	3-242-558-01	SPACER (LINE IN)		103	X-2190-616-1	MAIN BOARD, COMPLETE (for SERVICE) (8G)	
102	3-279-346-01	ESCUTCHEON (CN) (for BLACK, GOLD)					(NWZ-A828: E)
102	3-279-346-11	ESCUTCHEON (CN) (for WHITE, PINK, SILVER)		103	X-2190-617-1	MAIN BOARD, COMPLETE (for SERVICE) (16G)	
103	X-2190-606-1	MAIN BOARD, COMPLETE (for SERVICE) (4G)					(NWZ-A829: E, MX, JE)
			(NWZ-A826K: CND)	103	X-2190-618-1	MAIN BOARD, COMPLETE (for SERVICE) (4G)	
103	X-2190-607-1	MAIN BOARD, COMPLETE (for SERVICE) (8G)					(NWZ-A826: CH)
			(NWZ-A828K: US)	103	X-2190-619-1	MAIN BOARD, COMPLETE (for SERVICE) (8G)	
							(NWZ-A828: CH)
103	X-2190-608-1	MAIN BOARD, COMPLETE (for SERVICE) (16G)		104	3-254-136-01	SCREW (B1.4)	
			(NWZ-A829: US, CND)	105	3-279-352-01	SHEET (BATT), ADHESIVE	
103	X-2190-609-1	MAIN BOARD, COMPLETE (for SERVICE) (4G)		106	1-756-702-11	BATTERY, LITHIUM ION STORAGE	
			(NWZ-A826: FR)				(E, MX, AUS, CH, JE)
103	X-2190-610-1	MAIN BOARD, COMPLETE (for SERVICE) (8G)		106	X-2190-605-1	BATTERY ASSY (US, CND, AEP, UK, FR, EE)	
			(NWZ-A828: FR)	107	3-275-663-01	SHEET, BATT WIRE	
103	X-2190-611-1	MAIN BOARD, COMPLETE (for SERVICE) (16G)		108	3-874-253-01	CUSHION (WM-P)	
			(NWZ-A829: FR)	109	3-874-254-01	SHEET (WM-P)	
103	X-2190-612-1	MAIN BOARD, COMPLETE (for SERVICE) (4G)		110	3-295-077-01	SPACER (PWB-S)	
			(NWZ-A826: AEP, UK, EE/A826K: AEP, UK)	111	3-295-078-01	CUSHION (PWB)	
				112	3-295-078-11	CUSHION (PWB)	
103	X-2190-613-1	MAIN BOARD, COMPLETE (for SERVICE) (8G)		113	3-873-663-01	SPACER (BT-P)	
			(NWZ-A828: AEP, UK, EE/A828K: AEP, UK)	114	3-700-202-01	PLATE, SHIELD	
103	X-2190-614-1	MAIN BOARD, COMPLETE (for SERVICE) (16G)					
			(NWZ-A829: AEP, UK, EE)				
103	X-2190-615-1	MAIN BOARD, COMPLETE (for SERVICE) (4G)					
			(NWZ-A826: E/A826K: E, AUS)				

6-4. FRONT SECTION



Ref. No.	Part No.	Description	Remark	Ref. No.	Part No.	Description	Remark
151	X-2190-680-1	FRONT ASSY (B) (for BLACK)		162	1-875-533-11	HP FLEXIBLE PRINT BOARD	
151	X-2190-681-1	FRONT ASSY (P) (for PINK)		163	3-279-342-01	PLATE (HP), FIXED	
151	X-2190-682-1	FRONT ASSY (N) (for GOLD)		164	3-254-135-01	SCREW (B1.4)	
151	X-2190-696-1	FRONT ASSY (W/S) (for WHITE, SILVER)		165	3-398-056-01	SHEET (LCD-B)	
152	3-279-338-01	BUTTON, FRONT (for BLACK) (BACK, ▲▶▼◀, ▶ , OPTION)		166	3-254-136-01	SCREW (B1.4)	
152	3-279-338-11	BUTTON, FRONT (for WHITE, SILVER) (BACK, ▲▶▼◀, ▶ , OPTION)		167	3-874-255-01	SHEET (WR)	
152	3-279-338-21	BUTTON, FRONT (for PINK) (BACK, ▲▶▼◀, ▶ , OPTION)		168	3-279-340-01	CHASSIS, MAIN	
152	3-279-338-31	BUTTON, FRONT (for GOLD) (BACK, ▲▶▼◀, ▶ , OPTION)		169	1-798-110-11	KEY, SHEET	
153	3-279-332-11	BELT, ORNAMENTAL		170	3-289-896-01	SPACER (HP)	
154	3-279-339-01	BRACKET, STRAP		171	3-874-258-01	SPACER (WM-P)	
155	3-279-336-01	KNOB (HOLD)		172	3-874-838-01	SHEET (COVER HP)	
156	3-279-334-01	BUTTON (VOL) (- VOL +)		173	3-279-333-01	LIGHT, GUIDE	
157	3-398-061-01	SHEET (OB), ADHESIVE		174	3-279-335-01	BUTTON (BT) (for BLACK)	
158	3-234-449-27	SCREW (M1.4)		174	3-279-335-21	BUTTON (BT) (for PINK)	
159	A-1506-857-A	SW BOARD, COMPLETE		174	3-279-335-31	BUTTON (BT) (for GOLD)	
160	X-2190-604-1	LCD ASSY		175	3-873-664-01	SPACER (BT-C)	
161	3-279-351-01	CONNECTOR (A), RUBBER		176	3-876-067-01	LEAF (CHASSIS), COPPER	
				177	3-279-354-01	SHEET (ORNAMENT), ADHESIVE	
				J301	1-821-708-11	JACK, WATERPROOF (⊘)	

SECTION 7 ELECTRICAL PARTS LIST

MAIN

Note:

- Due to standardization, replacements in the parts list may be different from the parts specified in the diagrams or the components used on the set.
- -XX and -X mean standardized parts, so they may have some difference from the original one.
- Items marked "*" are not stocked since they are seldom required for routine service. Some delay should be anticipated when ordering these items.
- CAPACITORS
uF: µF
- COILS
uH: µH

- RESISTORS
All resistors are in ohms.
METAL: Metal-film resistor.
METAL OXIDE: Metal oxide-film resistor.
F: nonflammable
- SEMICONDUCTORS
In each case, u: µ, for example:
uA. . . : µA. . . , uPA. . . , µPA. . . ,
uPB. . . : µPB. . . , uPC. . . , µPC. . . ,
uPD. . . : µPD. . .
- Abbreviation
AUS : Australian model
CH : Chinese model
CND : Canadian model
EE : East European model

- FR : French model
- JE : Tourist model
- MX : Mexican model

When indicating parts by reference number, please include the board name.

The components identified by mark \triangle or dotted line with mark \triangle are critical for safety.
Replace only with part number specified.

Les composants identifiés par une marque \triangle sont critiques pour la sécurité.
Ne les remplacer que par une pièce portant le numéro spécifié.

Ref. No.	Part No.	Description	Remark	Ref. No.	Part No.	Description	Remark
	X-2190-606-1	MAIN BOARD, COMPLETE (for SERVICE) (4G) (NWZ-A826K: CND)		C310	1-112-716-11	CERAMIC CHIP 0.1uF 10%	6.3V
	X-2190-607-1	MAIN BOARD, COMPLETE (for SERVICE) (8G) (NWZ-A828K: US)		C311	1-112-717-91	CERAMIC CHIP 1uF 10%	6.3V
	X-2190-608-1	MAIN BOARD, COMPLETE (for SERVICE) (16G) (NWZ-A829: US, CND)		C312	1-100-611-91	CERAMIC CHIP 22uF 20%	6.3V
	X-2190-609-1	MAIN BOARD, COMPLETE (for SERVICE) (4G) (NWZ-A826: FR)		C313	1-112-716-11	CERAMIC CHIP 0.1uF 10%	6.3V
	X-2190-610-1	MAIN BOARD, COMPLETE (for SERVICE) (8G) (NWZ-A828: FR)		C314	1-112-717-91	CERAMIC CHIP 1uF 10%	6.3V
	X-2190-611-1	MAIN BOARD, COMPLETE (for SERVICE) (16G) (NWZ-A829: FR)		C315	1-112-717-91	CERAMIC CHIP 1uF 10%	6.3V
	X-2190-612-1	MAIN BOARD, COMPLETE (for SERVICE) (4G) (NWZ-A826: AEP, UK, EE/A826K: AEP, UK, EE)		C316	1-100-786-91	TANTAL. CHIP 22uF 20%	6.3V
	X-2190-613-1	MAIN BOARD, COMPLETE (for SERVICE) (8G) (NWZ-A828: AEP, UK, EE/A828K: UK)		C319	1-100-507-91	CERAMIC CHIP 4.7uF 20%	6.3V
	X-2190-614-1	MAIN BOARD, COMPLETE (for SERVICE) (16G) (NWZ-A829: AEP, UK, EE)		C321	1-107-819-11	CERAMIC CHIP 0.022uF 10%	16V
	X-2190-615-1	MAIN BOARD, COMPLETE (for SERVICE) (4G) (NWZ-A826: E/A826K: E, AUS)		C326	1-100-415-91	CERAMIC CHIP 0.47uF 10%	6.3V
	X-2190-616-1	MAIN BOARD, COMPLETE (for SERVICE) (8G) (NWZ-A828: E)		C327	1-218-990-81	SHORT CHIP 0	
	X-2190-617-1	MAIN BOARD, COMPLETE (for SERVICE) (16G) (NWZ-A829: E, MX, JE)		C328	1-218-990-81	SHORT CHIP 0	
	X-2190-618-1	MAIN BOARD, COMPLETE (for SERVICE) (4G) (NWZ-A826: CH)		C329	1-218-990-81	SHORT CHIP 0	
	X-2190-619-1	MAIN BOARD, COMPLETE (for SERVICE) (8G) (NWZ-A828: CH)		C330	1-218-990-81	SHORT CHIP 0	
		*****		C451	1-125-777-11	CERAMIC CHIP 0.1uF 10%	10V
		< ANTENNA >		C453	1-114-821-21	CERAMIC CHIP 1.8PF 0.1PF	50V
ANT451	1-754-380-11	HELICAL ANTENNA		C455	1-164-943-81	CERAMIC CHIP 0.01uF 10%	16V
		< CAPACITOR >		C456	1-125-777-11	CERAMIC CHIP 0.1uF 10%	10V
C107	1-137-987-81	CERAMIC CHIP 0.068uF 10%	10V	C457	1-100-742-91	CERAMIC CHIP 2.2uF 20%	10V
C110	1-165-887-91	CERAMIC CHIP 0.22uF 10%	6.3V	C458	1-165-884-11	CERAMIC CHIP 2.2uF 10%	6.3V
C116	1-128-630-91	CERAMIC CHIP 0.0047uF 10%	6.3V	C459	1-164-931-11	CERAMIC CHIP 100PF 10%	50V
C207	1-137-987-81	CERAMIC CHIP 0.068uF 10%	10V	C501	1-164-856-81	CERAMIC CHIP 18PF 5%	50V
C208	1-125-777-11	CERAMIC CHIP 0.1uF 10%	10V	C502	1-164-854-11	CERAMIC CHIP 15PF 5%	50V
C210	1-165-887-91	CERAMIC CHIP 0.22uF 10%	6.3V	C503	1-100-352-91	CERAMIC CHIP 1uF 20%	16V
C216	1-128-630-91	CERAMIC CHIP 0.0047uF 10%	6.3V	C504	1-112-716-11	CERAMIC CHIP 0.1uF 10%	6.3V
C301	1-128-627-91	CERAMIC CHIP 0.001uF 10%	16V	C505	1-112-716-11	CERAMIC CHIP 0.1uF 10%	6.3V
C302	1-112-716-11	CERAMIC CHIP 0.1uF 10%	6.3V	C506	1-112-716-11	CERAMIC CHIP 0.1uF 10%	6.3V
C303	1-112-716-11	CERAMIC CHIP 0.1uF 10%	6.3V	C507	1-112-716-11	CERAMIC CHIP 0.1uF 10%	6.3V
C305	1-112-815-91	CERAMIC CHIP 10uF 20%	6.3V	C508	1-112-716-11	CERAMIC CHIP 0.1uF 10%	6.3V
C306	1-112-716-11	CERAMIC CHIP 0.1uF 10%	6.3V	C509	1-112-716-11	CERAMIC CHIP 0.1uF 10%	6.3V
C307	1-112-815-91	CERAMIC CHIP 10uF 20%	6.3V	C510	1-112-716-11	CERAMIC CHIP 0.1uF 10%	6.3V
C308	1-112-717-91	CERAMIC CHIP 1uF 10%	6.3V	C511	1-112-717-91	CERAMIC CHIP 1uF 10%	6.3V
				C512	1-112-717-91	CERAMIC CHIP 1uF 10%	6.3V
				C516	1-112-716-11	CERAMIC CHIP 0.1uF 10%	6.3V
				C517	1-112-716-11	CERAMIC CHIP 0.1uF 10%	6.3V
				C518	1-112-716-11	CERAMIC CHIP 0.1uF 10%	6.3V
				C601	1-112-717-91	CERAMIC CHIP 1uF 10%	6.3V
				C602	1-112-717-91	CERAMIC CHIP 1uF 10%	6.3V
				C603	1-112-717-91	CERAMIC CHIP 1uF 10%	6.3V
				C604	1-112-717-91	CERAMIC CHIP 1uF 10%	6.3V
				C606	1-112-717-91	CERAMIC CHIP 1uF 10%	6.3V
				C607	1-112-717-91	CERAMIC CHIP 1uF 10%	6.3V
				C608	1-112-717-91	CERAMIC CHIP 1uF 10%	6.3V
				C609	1-119-923-11	CERAMIC CHIP 0.047uF 10%	10V
				C610	1-112-716-11	CERAMIC CHIP 0.1uF 10%	6.3V

MAIN

Ref. No.	Part No.	Description	Remark
C611	1-128-627-91	CERAMIC CHIP 0.001uF 10%	16V
C612	1-112-716-11	CERAMIC CHIP 0.1uF 10%	6.3V
C613	1-112-716-11	CERAMIC CHIP 0.1uF 10%	6.3V
C616	1-112-716-11	CERAMIC CHIP 0.1uF 10%	6.3V
C619	1-164-943-81	CERAMIC CHIP 0.01uF 10%	16V
C620	1-112-716-11	CERAMIC CHIP 0.1uF 10%	6.3V
C625	1-117-748-81	CERAMIC CHIP 10PF 0.1PF	16V
C626	1-117-748-81	CERAMIC CHIP 10PF 0.1PF	16V
C629	1-112-717-91	CERAMIC CHIP 1uF 10%	6.3V
C632	1-100-352-91	CERAMIC CHIP 1uF 20%	16V
C633	1-112-716-11	CERAMIC CHIP 0.1uF 10%	6.3V
C634	1-112-716-11	CERAMIC CHIP 0.1uF 10%	6.3V
C638	1-112-717-91	CERAMIC CHIP 1uF 10%	6.3V
C640	1-112-717-91	CERAMIC CHIP 1uF 10%	6.3V
C641	1-100-611-91	CERAMIC CHIP 22uF 20%	6.3V
C643	1-112-717-91	CERAMIC CHIP 1uF 10%	6.3V
C644	1-100-611-91	CERAMIC CHIP 22uF 20%	6.3V
C645	1-112-716-11	CERAMIC CHIP 0.1uF 10%	6.3V
C646	1-112-716-11	CERAMIC CHIP 0.1uF 10%	6.3V
C648	1-112-716-11	CERAMIC CHIP 0.1uF 10%	6.3V
C651	1-112-716-11	CERAMIC CHIP 0.1uF 10%	6.3V
C652	1-112-716-11	CERAMIC CHIP 0.1uF 10%	6.3V
C654	1-112-716-11	CERAMIC CHIP 0.1uF 10%	6.3V
C656	1-112-716-11	CERAMIC CHIP 0.1uF 10%	6.3V
C661	1-112-716-11	CERAMIC CHIP 0.1uF 10%	6.3V
C662	1-164-937-11	CERAMIC CHIP 0.001uF 10%	50V
C664	1-112-716-11	CERAMIC CHIP 0.1uF 10%	6.3V
C666	1-112-716-11	CERAMIC CHIP 0.1uF 10%	6.3V
C668	1-117-743-81	CERAMIC CHIP 5PF 0.1PF	16V
C669	1-117-743-81	CERAMIC CHIP 5PF 0.1PF	16V
C673	1-112-716-11	CERAMIC CHIP 0.1uF 10%	6.3V
C674	1-112-716-11	CERAMIC CHIP 0.1uF 10%	6.3V
C675	1-112-716-11	CERAMIC CHIP 0.1uF 10%	6.3V
C679	1-112-716-11	CERAMIC CHIP 0.1uF 10%	6.3V
C681	1-112-716-11	CERAMIC CHIP 0.1uF 10%	6.3V
C683	1-112-716-11	CERAMIC CHIP 0.1uF 10%	6.3V
C690	1-112-716-11	CERAMIC CHIP 0.1uF 10%	6.3V
C691	1-128-632-91	CERAMIC CHIP 0.01uF 10%	6.3V
C698	1-112-716-11	CERAMIC CHIP 0.1uF 10%	6.3V
C699	1-112-716-11	CERAMIC CHIP 0.1uF 10%	6.3V
C701	1-112-716-11	CERAMIC CHIP 0.1uF 10%	6.3V
C703	1-112-716-11	CERAMIC CHIP 0.1uF 10%	6.3V
C705	1-112-716-11	CERAMIC CHIP 0.1uF 10%	6.3V
C707	1-112-716-11	CERAMIC CHIP 0.1uF 10%	6.3V
C709	1-112-716-11	CERAMIC CHIP 0.1uF 10%	6.3V
C711	1-112-716-11	CERAMIC CHIP 0.1uF 10%	6.3V
C713	1-112-716-11	CERAMIC CHIP 0.1uF 10%	6.3V
C752	1-112-716-11	CERAMIC CHIP 0.1uF 10%	6.3V
C753	1-112-716-11	CERAMIC CHIP 0.1uF 10%	6.3V
C754	1-112-716-11	CERAMIC CHIP 0.1uF 10%	6.3V
C755	1-112-716-11	CERAMIC CHIP 0.1uF 10%	6.3V (NWZ-A828/A828K/A829) (NWZ-A828/A828K/A829)
C853	1-128-622-91	CERAMIC CHIP 100PF 10%	16V
C854	1-164-943-81	CERAMIC CHIP 0.01uF 10%	16V
C855	1-164-935-11	CERAMIC CHIP 470PF 10%	50V
C856	1-100-415-91	CERAMIC CHIP 0.47uF 10%	6.3V
C902	1-100-670-11	CERAMIC CHIP 4.7uF 20%	16V
C903	1-112-746-11	CERAMIC CHIP 4.7uF 10%	6.3V
C904	1-112-815-91	CERAMIC CHIP 10uF 20%	6.3V

Ref. No.	Part No.	Description	Remark
C905	1-112-815-91	CERAMIC CHIP 10uF 20%	6.3V
C908	1-100-966-91	CERAMIC CHIP 10uF 20%	10V
C909	1-100-611-91	CERAMIC CHIP 22uF 20%	6.3V
C910	1-100-611-91	CERAMIC CHIP 22uF 20%	6.3V
C912	1-100-611-91	CERAMIC CHIP 22uF 20%	6.3V
C913	1-164-943-81	CERAMIC CHIP 0.01uF 10%	16V
C914	1-114-172-91	CERAMIC CHIP 2.2uF 20%	4V
C916	1-100-506-91	CERAMIC CHIP 1uF 20%	6.3V
C917	1-125-777-11	CERAMIC CHIP 0.1uF 10%	10V
C918	1-125-777-11	CERAMIC CHIP 0.1uF 10%	10V
C919	1-112-746-11	CERAMIC CHIP 4.7uF 10%	6.3V
C920	1-112-815-91	CERAMIC CHIP 10uF 20%	6.3V
C921	1-112-815-91	CERAMIC CHIP 10uF 20%	6.3V
C922	1-125-777-11	CERAMIC CHIP 0.1uF 10%	10V
C923	1-112-717-91	CERAMIC CHIP 1uF 10%	6.3V
C924	1-164-937-11	CERAMIC CHIP 0.001uF 10%	50V
C925	1-112-815-91	CERAMIC CHIP 10uF 20%	6.3V
< CONNECTOR >			
CN301	1-820-770-21	CONNECTOR, FFC/FPC (ZIF) 11P	
CN601	(Not supplied)	CONNECTOR, BOARD TO BOARD 20P	
CN602	(Not supplied)	CONNECTOR, FPC (ZIF) 4P	
CN851	1-820-771-31	MULTIPLE, CONNECTOR (RECEPTACL (WM-PORT))	
CN901	1-820-726-21	RECEPTACLE, CONNECTOR	
< DIODE >			
D101	8-719-083-04	DIODE RSB6.8STE61	
D201	8-719-083-04	DIODE RSB6.8STE61	
D301	6-500-776-01	DIODE MAZW068H0LS0	
D451	8-719-069-29	DIODE RB520S-30FJTE61	
D452	6-502-375-01	LED SMLA13BDTT86ST (BLUETOOTH)	
D851	6-501-877-01	DIODE RB060M-30TR	
< FERRITE BEAD/JUMPER RESISTOR >			
FB101	1-400-851-11	EMI, FERRITE (SMD) (1005)	
FB201	1-400-851-11	EMI, FERRITE (SMD) (1005)	
FB301	1-400-915-21	INDUCTOR (EMI FERRITE) (2012)	
FB451	1-218-990-81	SHORT CHIP 0	
FB601	1-218-990-81	SHORT CHIP 0	
FB608	1-481-258-21	SMD EMI FERRITE	
FB609	1-400-829-11	BEAD, FERRITE (1005)	
FB851	1-218-990-81	SHORT CHIP 0	
FB852	1-218-990-81	SHORT CHIP 0	
FB854	1-218-990-81	SHORT CHIP 0	
FB855	1-218-990-81	SHORT CHIP 0	
FB857	1-218-990-81	SHORT CHIP 0	
FB858	1-400-392-21	INDUCTOR, FERRITE BEAD (1608)	
< FILTER >			
FL501	1-234-939-21	FILTER, EMI REMOVAL (SMD)	
FL601	1-234-939-21	FILTER, EMI REMOVAL (SMD)	
FL701	1-234-939-21	FILTER, EMI REMOVAL (SMD)	

Note: CN601 and CN602 on the MAIN board cannot exchange with single. When CN601 and CN602 on the MAIN board are damaged, exchange the entire mounted board.

Ref. No.	Part No.	Description	Remark	Ref. No.	Part No.	Description	Remark
		< IC >		R206	1-220-166-81	RES-CHIP 43 5% 1/16W (NWZ-A826: FR/A828: FR/A829: FR)	
IC301	(Not supplied)	IC XC6401FF58DR		R208	1-218-949-11	RES-CHIP 470 5% 1/16W	
IC302	(Not supplied)	IC CS43L21-CNZR		R209	1-218-949-11	RES-CHIP 470 5% 1/16W	
IC305	(Not supplied)	IC MAX4745ELB+TG069		R210	1-244-161-81	RES-CHIP 2.2 5% 1/16W	
IC451	6-705-673-01	IC TC7PA53FU (TE85L.F)		R220	1-240-691-91	METAL CHIP 470 5% 1/20W	
IC452	6-705-673-01	IC TC7PA53FU (TE85L.F)					
IC453	(Not supplied)	IC UGNZ4-GA5A		R223	1-218-990-81	SHORT CHIP 0	
IC454	8-759-257-96	IC TC7S14FU (TE85R)		R252	1-240-718-91	METAL CHIP 100K 5% 1/20W	
IC501	(Not supplied)	IC S1R72V27B05E10B		R256	1-240-726-91	METAL CHIP 470K 5% 1/20W	
IC502	6-708-511-01	IC TC7SG08AFS		R302	1-218-990-81	SHORT CHIP 0	
IC503	(Not supplied)	IC TK63731AB1G0B		R304	1-240-720-91	METAL CHIP 150K 5% 1/20W	
IC504	6-711-031-01	IC TK63718HCL-G		R305	1-240-722-91	METAL CHIP 220K 5% 1/20W	
IC508	(Not supplied)	IC TC7SG04AFS		R307	1-240-695-91	METAL CHIP 1K 5% 1/20W	
IC509	(Not supplied)	IC SN74AVC1T45YZPR		R310	1-218-990-81	SHORT CHIP 0	
IC601	(Not supplied)	IC MC-10051BF1-FAE-A		R312	1-218-990-81	SHORT CHIP 0	
IC602	(Not supplied)	IC TK63731AB1G0B		R313	1-240-695-91	METAL CHIP 1K 5% 1/20W	
IC701	(Not supplied)	IC K4M56323PI-HG75T		R314	1-218-990-81	SHORT CHIP 0	
IC751	(Not supplied)	IC TH58NVG6D1DTG20 (NWZ-A829)		R315	1-240-687-91	METAL CHIP 220 5% 1/20W	
IC751	(Not supplied)	IC TH58NVG5D1DTG00 (NWZ-A826/A826K/A828/A828K)		R456	1-218-990-81	SHORT CHIP 0	
IC752	(Not supplied)	IC TH58NVG6D1DTG20 (NWZ-A829)		R457	1-218-990-81	SHORT CHIP 0	
IC752	(Not supplied)	IC TH58NVG5D1DTG00 (NWZ-A828/A828K)		R459	1-220-804-11	RES-CHIP 2.2M 5% 1/16W	
IC901	(Not supplied)	IC MAX8671CETL+TG069		R460	1-218-973-11	RES-CHIP 47K 5% 1/16W	
IC902	(Not supplied)	IC XC61GN3102HR		R461	1-218-965-11	RES-CHIP 10K 5% 1/16W	
IC903	(Not supplied)	IC TK63118BCB-G		R462	1-218-985-11	RES-CHIP 470K 5% 1/16W	
		< COIL >		R463	1-218-943-11	RES-CHIP 150 5% 1/16W	
L451	1-414-836-21	INDUCTOR 4.7nH		R464	1-218-943-11	RES-CHIP 150 5% 1/16W	
L601	1-457-412-11	INDUCTOR 10uH		R465	1-218-985-11	RES-CHIP 470K 5% 1/16W	
L602	1-457-412-11	INDUCTOR 10uH		R467	1-218-990-81	SHORT CHIP 0	
L901	1-481-097-11	INDUCTOR 4.7uH		R468	1-218-985-11	RES-CHIP 470K 5% 1/16W	
L902	1-481-097-11	INDUCTOR 4.7uH		R469	1-218-990-81	SHORT CHIP 0	
LF851	1-456-984-11	COIL,COMMONMODECHOKE (SMD1210)		R470	1-218-990-81	SHORT CHIP 0	
		< TRANSISTOR >		R471	1-218-985-11	RES-CHIP 470K 5% 1/16W	
Q301	6-550-282-01	TRANSISTOR UNR31A600LS0		R474	1-218-953-11	RES-CHIP 1K 5% 1/16W	
Q302	6-551-186-01	TRANSISTOR EMX18		R502	1-218-990-81	SHORT CHIP 0	
Q303	6-551-186-01	TRANSISTOR EMX18		R503	1-240-718-91	METAL CHIP 100K 5% 1/20W	
Q304	6-550-282-01	TRANSISTOR UNR31A600LS0		R504	1-240-718-91	METAL CHIP 100K 5% 1/20W	
Q451	6-550-789-01	FET SSM3K15FV (TL3SONYZ)		R505	1-240-718-91	METAL CHIP 100K 5% 1/20W	
Q452	6-550-789-01	FET SSM3K15FV (TL3SONYZ)		R506	1-208-906-81	METAL CHIP 6.2K 0.5% 1/16W	
Q454	6-550-791-01	FET SSM3J15FV (TL3SONYZ)		R507	1-218-953-11	RES-CHIP 1K 5% 1/16W	
Q603	6-550-747-01	FET 3LP01S-K-TL-E		R510	1-218-933-11	RES-CHIP 22 5% 1/16W	
Q901	6-550-789-01	FET SSM3K15FV (TL3SONYZ)		R511	1-218-981-91	RES-CHIP 220K 5% 1/16W	
Q903	6-550-791-01	FET SSM3J15FV (TL3SONYZ)		R519	1-218-981-91	RES-CHIP 220K 5% 1/16W	
		< RESISTOR >		R520	1-218-977-11	RES-CHIP 100K 5% 1/16W	
R105	1-240-679-91	METAL CHIP 47 5% 1/20W		R521	1-218-990-81	SHORT CHIP 0	
R106	1-208-455-11	RES-CHIP 5.6 5% 1/16W (EXCEPT NWZ-A826: FR/A828: FR/A829: FR)		R522	1-218-990-81	SHORT CHIP 0	
R106	1-220-166-81	RES-CHIP 43 5% 1/16W (NWZ-A826: FR/A828: FR/A829: FR)		R527	1-218-990-81	SHORT CHIP 0	
R108	1-218-949-11	RES-CHIP 470 5% 1/16W		R528	1-218-990-81	SHORT CHIP 0	
R109	1-218-949-11	RES-CHIP 470 5% 1/16W		R601	1-208-911-11	METAL CHIP 10K 0.5% 1/16W	
R110	1-244-161-81	RES-CHIP 2.2 5% 1/16W		R602	1-218-990-81	SHORT CHIP 0	
R120	1-240-691-91	METAL CHIP 470 5% 1/20W		R603	1-218-965-11	RES-CHIP 10K 5% 1/16W	
R123	1-218-990-81	SHORT CHIP 0		R604	1-218-990-81	SHORT CHIP 0	
R205	1-240-679-91	METAL CHIP 47 5% 1/20W		R605	1-218-990-81	SHORT CHIP 0	
R206	1-208-455-11	RES-CHIP 5.6 5% 1/16W (EXCEPT NWZ-A826: FR/A828: FR/A829: FR)		R606	1-208-911-11	METAL CHIP 10K 0.5% 1/16W	
				R607	1-218-985-11	RES-CHIP 470K 5% 1/16W	
				R608	1-218-953-11	RES-CHIP 1K 5% 1/16W	
				R611	1-218-990-81	SHORT CHIP 0	
				R615	1-218-953-11	RES-CHIP 1K 5% 1/16W	
				R616	1-245-684-21	RES-CHIP 0.22 5% 1/8W	
				R617	1-245-684-21	RES-CHIP 0.22 5% 1/8W	
				R618	1-218-990-81	SHORT CHIP 0	
				R619	1-218-990-81	SHORT CHIP 0	

Note: IC301, IC302, IC305, IC453, IC501, IC503, IC508, IC509, IC601, IC602, IC701, IC751, IC752, IC901 and IC902 on the MAIN board cannot exchange with single. When IC301, IC302, IC305, IC453, IC501, IC503, IC508, IC509, IC601, IC602, IC701, IC751, IC752, IC901 and IC902 on the MAIN board are damaged, exchange the entire mounted board.

MAIN

Ref. No.	Part No.	Description	Remark			Ref. No.	Part No.	Description	Remark		
R620	1-218-990-81	SHORT CHIP	0			R765	1-240-718-91	METAL CHIP	100K	5%	1/20W
R621	1-218-990-81	SHORT CHIP	0			R767	1-240-718-91	METAL CHIP	100K	5%	1/20W
R622	1-218-990-81	SHORT CHIP	0			R769	1-240-695-91	METAL CHIP	1K	5%	1/20W
R623	1-218-990-81	SHORT CHIP	0			R774	1-240-714-91	METAL CHIP	47K	5%	1/20W
R624	1-218-990-81	SHORT CHIP	0			R775	1-240-714-91	METAL CHIP	47K	5%	1/20W
R625	1-240-718-91	METAL CHIP	100K	5%	1/20W	R776	1-240-714-91	METAL CHIP	47K	5%	1/20W
R626	1-240-718-91	METAL CHIP	100K	5%	1/20W	R777	1-240-714-91	METAL CHIP	47K	5%	1/20W
R627	1-240-695-91	METAL CHIP	1K	5%	1/20W	R778	1-240-714-91	METAL CHIP	47K	5%	1/20W
R628	1-218-985-11	RES-CHIP	470K	5%	1/16W	R779	1-240-714-91	METAL CHIP	47K	5%	1/20W
R629	1-218-985-11	RES-CHIP	470K	5%	1/16W	R780	1-240-714-91	METAL CHIP	47K	5%	1/20W
R630	1-218-941-81	RES-CHIP	100	5%	1/16W	R781	1-240-714-91	METAL CHIP	47K	5%	1/20W
R633	1-218-990-81	SHORT CHIP	0			R851	1-218-953-11	RES-CHIP	1K	5%	1/16W
R634	1-218-989-11	RES-CHIP	1M	5%	1/16W	R853	1-218-953-11	RES-CHIP	1K	5%	1/16W
R636	1-240-714-91	METAL CHIP	47K	5%	1/20W	R855	1-208-927-11	METAL CHIP	47K	0.5%	1/16W
R637	1-240-714-91	METAL CHIP	47K	5%	1/20W	R857	1-240-726-91	METAL CHIP	470K	5%	1/20W
R638	1-240-714-91	METAL CHIP	47K	5%	1/20W	R858	1-240-707-91	METAL CHIP	10K	5%	1/20W
R639	1-240-714-91	METAL CHIP	47K	5%	1/20W	R859	1-218-953-11	RES-CHIP	1K	5%	1/16W
R640	1-240-714-91	METAL CHIP	47K	5%	1/20W	R862	1-218-965-11	RES-CHIP	10K	5%	1/16W
R641	1-218-953-11	RES-CHIP	1K	5%	1/16W	R901	1-218-990-81	SHORT CHIP	0		
R643	1-218-990-81	SHORT CHIP	0			R904	1-216-864-11	SHORT CHIP	0		
R644	1-218-990-81	SHORT CHIP	0			R906	1-218-990-81	SHORT CHIP	0		
R646	1-218-985-11	RES-CHIP	470K	5%	1/16W	R907	1-218-990-81	SHORT CHIP	0		
R647	1-218-985-11	RES-CHIP	470K	5%	1/16W	R908	1-218-981-91	RES-CHIP	220K	5%	1/16W
R648	1-208-927-11	METAL CHIP	47K	0.5%	1/16W	R909	1-208-911-11	METAL CHIP	10K	0.5%	1/16W
R649	1-208-927-11	METAL CHIP	47K	0.5%	1/16W	R910	1-218-981-91	RES-CHIP	220K	5%	1/16W
R651	1-218-985-11	RES-CHIP	470K	5%	1/16W	R911	1-218-985-11	RES-CHIP	470K	5%	1/16W
R655	1-240-718-91	METAL CHIP	100K	5%	1/20W	R912	1-218-990-81	SHORT CHIP	0		
R656	1-240-718-91	METAL CHIP	100K	5%	1/20W	R913	1-218-985-11	RES-CHIP	470K	5%	1/16W
R657	1-240-718-91	METAL CHIP	100K	5%	1/20W	R914	1-218-985-11	RES-CHIP	470K	5%	1/16W
R658	1-240-718-91	METAL CHIP	100K	5%	1/20W	R916	1-218-985-11	RES-CHIP	470K	5%	1/16W
R660	1-240-714-91	METAL CHIP	47K	5%	1/20W	R918	1-208-909-11	METAL CHIP	8.2K	0.5%	1/16W
R662	1-218-953-11	RES-CHIP	1K	5%	1/16W	R919	1-208-715-11	METAL CHIP	22K	0.5%	1/16W
R664	1-218-990-81	SHORT CHIP	0			R920	1-208-911-11	METAL CHIP	10K	0.5%	1/16W
R666	1-218-985-11	RES-CHIP	470K	5%	1/16W	R922	1-208-939-11	METAL CHIP	150K	0.5%	1/16W
R667	1-218-977-11	RES-CHIP	100K	5%	1/16W	R923	1-208-695-11	METAL CHIP	3.3K	0.5%	1/16W
R669	1-208-715-11	METAL CHIP	22K	0.5%	1/16W	R926	1-208-911-11	METAL CHIP	10K	0.5%	1/16W
R671	1-218-990-81	SHORT CHIP	0			R927	1-208-931-11	METAL CHIP	68K	0.5%	1/16W
R672	1-218-990-81	SHORT CHIP	0			R928	1-218-990-81	SHORT CHIP	0		
R674	1-218-941-81	RES-CHIP	100	5%	1/16W	R929	1-216-864-11	SHORT CHIP	0		
R675	1-218-941-81	RES-CHIP	100	5%	1/16W	R930	1-218-990-81	SHORT CHIP	0		
R676	1-240-707-91	METAL CHIP	10K	5%	1/20W	R931	1-218-990-81	SHORT CHIP	0		
R678	1-240-707-91	METAL CHIP	10K	5%	1/20W	R932	1-218-985-11	RES-CHIP	470K	5%	1/16W
R679	1-240-707-91	METAL CHIP	10K	5%	1/20W	R933	1-208-935-11	METAL CHIP	100K	0.5%	1/16W
R681	1-240-718-91	METAL CHIP	100K	5%	1/20W	R935	1-218-990-81	SHORT CHIP	0		
R683	1-240-722-91	METAL CHIP	220K	5%	1/20W			< SWITCH >			
R684	1-240-722-91	METAL CHIP	220K	5%	1/20W	S601	1-572-938-21	SWITCH, TACTIL (RESET)			
R702	1-240-718-91	METAL CHIP	100K	5%	1/20W	S602	1-771-449-11	SWITCH, SLIDE (HOLD)			
R751	1-218-990-81	SHORT CHIP	0					< TERMINAL >			
R753	1-240-726-91	METAL CHIP	470K	5%	1/20W	TB301	1-780-112-11	TERMINAL, CONTACT			
R754	1-240-726-91	METAL CHIP	470K	5%	1/20W	TB451	1-780-434-11	TERMINAL, GROUND (ON BOARD CON			
R755	1-240-718-91	METAL CHIP	100K	5%	1/20W	TB851	1-780-112-11	TERMINAL, CONTACT			
R756	1-240-718-91	METAL CHIP	100K	5%	1/20W	TB901	1-780-112-11	TERMINAL, CONTACT			
R757	1-218-990-81	SHORT CHIP	0 (NWZ-A829)					< THERMISTOR >			
R758	1-218-990-81	SHORT CHIP	0 (NWZ-A829)			TH901	1-802-599-21	THERMISTOR			
R759	1-240-726-91	METAL CHIP	470K	5%	1/20W						
R760	1-218-990-81	SHORT CHIP	0 (NWZ-A828/A828K)								
R761	1-218-990-81	SHORT CHIP	0 (NWZ-A829)								
R762	1-218-990-81	SHORT CHIP	0 (NWZ-A829)								
R763	1-218-990-81	SHORT CHIP	0 (NWZ-A828/A828K)								
R764	1-240-726-91	METAL CHIP	470K	5%	1/20W						

Ref. No.	Part No.	Description	Remark	Ref. No.	Part No.	Description	Remark
		< VARISTOR >		R803	1-218-990-81	SHORT CHIP	0
VDR851	1-805-774-21	VARISTOR, CHIP		R804	1-218-959-11	RES-CHIP	3.3K 5% 1/16W
VDR852	1-805-774-21	VARISTOR, CHIP		R808	1-218-990-81	SHORT CHIP	0
		< VIBRATOR >		R809	1-218-990-81	SHORT CHIP	0
X501	1-813-877-11	VIBRATOR, CRYSTAL (12MHz)		R810	1-218-990-81	SHORT CHIP	0
X602	1-813-206-11	VIBRATOR, CRYSTAL (32.768kHz)		R829	1-218-977-11	RES-CHIP	100K 5% 1/16W
X603	1-795-758-21	VIBRATOR, CRYSTAL (11.2896MHz)		R830	1-218-977-11	RES-CHIP	100K 5% 1/16W
*****				R831	1-218-990-81	SHORT CHIP	0
	A-1506-857-A	SW BOARD, COMPLETE		R881	1-208-911-11	METAL CHIP	10K 0.5% 1/16W
		*****		R882	1-208-911-11	METAL CHIP	10K 0.5% 1/16W
		< CAPACITOR >		R883	1-208-711-11	METAL CHIP	15K 0.5% 1/16W
C801	1-165-887-91	CERAMIC CHIP 0.22uF	10% 6.3V	R884	1-208-715-11	METAL CHIP	22K 0.5% 1/16W
C803	1-165-908-11	CERAMIC CHIP 1uF	10% 10V	R887	1-208-711-11	METAL CHIP	15K 0.5% 1/16W
C804	1-125-891-11	CERAMIC CHIP 0.47uF	10% 10V	R888	1-218-941-11	RES-CHIP	100 5% 1/16W
C805	1-125-891-11	CERAMIC CHIP 0.47uF	10% 10V	*****			
C806	1-100-352-91	CERAMIC CHIP 1uF	20% 16V			MISCELLANEOUS	

C807	1-112-717-91	CERAMIC CHIP 1uF	10% 6.3V	106	1-756-702-11	BATTERY, LITHIUM ION STORAGE	
C808	1-112-717-91	CERAMIC CHIP 1uF	10% 6.3V			(E, MX, AUS, CH, JE)	
C881	1-119-923-11	CERAMIC CHIP 0.047uF	10% 10V	106	X-2190-605-1	BATTERY ASSY (US, CND, AEP, UK, FR, EE)	
C882	1-164-943-81	CERAMIC CHIP 0.01uF	10% 16V	160	X-2190-604-1	LCD ASSY	
		< CONNECTOR >		162	1-875-533-11	HP FLEXIBLE PRINT BOARD	
CN801	(Not supplied)	CONNECTOR, FFC/FPC (ZIF) 39PIN		169	1-798-110-11	KEY, SHEET	
CN881	(Not supplied)	CONNECTOR, BOARD TO BOARD 42P		J301	1-821-708-11	JACK, WATERPROOF (♂)	
		< FERRITE BEAD >		*****			
FB802	1-481-258-21	SMD EMI FERRITE					
FB803	1-481-258-21	SMD EMI FERRITE					
FB804	1-481-258-21	SMD EMI FERRITE					
FB805	1-481-258-21	SMD EMI FERRITE					
FB806	1-481-258-21	SMD EMI FERRITE					
FB807	1-481-258-21	SMD EMI FERRITE					
FB808	1-481-258-21	SMD EMI FERRITE					
FB809	1-481-258-21	SMD EMI FERRITE					
FB810	1-481-258-21	SMD EMI FERRITE					
FB811	1-481-258-21	SMD EMI FERRITE					
FB812	1-481-258-21	SMD EMI FERRITE					
FB813	1-481-258-21	SMD EMI FERRITE					
FB814	1-481-258-21	SMD EMI FERRITE					
FB815	1-481-258-21	SMD EMI FERRITE					
FB816	1-481-258-21	SMD EMI FERRITE					
FB817	1-481-258-21	SMD EMI FERRITE					
FB818	1-481-258-21	SMD EMI FERRITE					
FB819	1-481-258-21	SMD EMI FERRITE					
		< FILTER >					
FL801	1-234-939-21	FILTER, EMI REMOVAL (SMD)					
		< IC >					
IC801	(Not supplied)	IC TPS60231RGTR					
		< FET >					
Q801	6-550-789-01	FET SSM3K15FV (TL3SONYZ)					
		< RESISTOR >					
R801	1-208-699-11	METAL CHIP 4.7K	0.5% 1/16W				

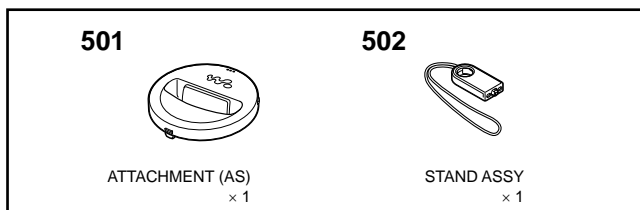
Note 1 : CN801 and CN881 on the SW board cannot exchange with single. When CN801 and CN881 on the SW board are damaged, exchange the entire mounted board.

Note 2: IC801 on the SW board cannot exchange with single. When IC801 on the SW board is damaged, exchange the entire mounted board.

NWZ-A826/A826K/A828/A828K/A829

Ref. No.	Part No.	Description	Remark
		ACCESSORIES *****	
△	1-478-846-12	ADAPTOR, AC (AC-ES3010K2) (NWZ-A826K: CND/NWZ-A828K: US)	
△	1-478-848-13	ADAPTOR, AC (AC-ES3010K2) (NWZ-A826K: AEP, E/NWZ-A828K: AEP)	
△	1-478-849-12	ADAPTOR, AC (AC-ES3010K2) (NWZ-A826K: UK/NWZ-A828K: UK)	
△	1-478-850-12	ADAPTOR, AC (AC-ES3010K2) (NWZ-A826K: AUS)	
	1-833-490-12	CORD, PC CONNECTION (USB cable)	
	3-095-524-11	MANUAL, INSTRUCTION (ENGLISH) (for DR-BT21G) (NWZ-A826K: AEP, UK/ NWZ-A828K: AEP, UK)	
	3-095-524-21	MANUAL, INSTRUCTION (FRENCH, GERMAN, SPANISH) (for DR-BT21G) (NWZ-A826K: AEP/ NWZ-A828K: AEP)	
	3-095-524-32	MANUAL, INSTRUCTION (DUTCH, ITALIAN, PORTUGUESE, RUSSIAN) (for DR-BT21G) (NWZ-A826K: AEP/NWZ-A828K: AEP)	
	3-095-524-51	MANUAL, INSTRUCTION (ENGLISH, SPANISH) (for DR-BT21G) (NWZ-A828K: US)	
	3-095-524-61	MANUAL, INSTRUCTION (ENGLISH, FRENCH) (for DR-BT21G) (NWZ-A826K: CND)	
	3-095-524-71	MANUAL, INSTRUCTION (ENGLISH) (for DR-BT21G) (NWZ-A826K: E, AUS)	
	3-106-351-11	MANUAL, INSTRUCTION (SIMPLIFIED CHINESE) (for DR-BT21G) (NWZ-A826K: E)	
	3-272-845-11	PIECE (S), EAR (GRAY) (size S) (Ear bud for Headphones) (for WHITE, PINK, SILVER models)	
	3-272-845-21	PIECE (S), EAR (CLEAR BLACK) (size S) (Ear bud for Headphones) (for BLACK, GOLD models)	
	3-272-846-11	PIECE (M), EAR (GRAY) (size M) (Ear bud for Headphones) (for WHITE, PINK, SILVER models)	
	3-272-846-21	PIECE (M), EAR (CLEAR BLACK) (size M) (Ear bud for Headphones) (for BLACK, GOLD models)	
	3-272-847-11	PIECE (L), EAR (GRAY) (size L) (Ear bud for Headphones) (for WHITE, PINK, SILVER models)	
	3-272-847-21	PIECE (L), EAR (CLEAR BLACK) (size L) (Ear bud for Headphones) (for BLACK, GOLD models)	
	3-289-810-11	MANUAL (QSG), INSTRUCTION (Quick Start Guide) (ENGLISH)	
	3-289-810-21	MANUAL (QSG), INSTRUCTION (Quick Start Guide) (FRENCH) (NWZ-A826: AEP, UK, FR/NWZ-A826K: CND, AEP/ NWZ-A828: AEP, UK, FR/NWZ-A828K: AEP/ NWZ-A829: CND, AEP, UK, FR)	
	3-289-810-31	MANUAL (QSG), INSTRUCTION (Quick Start Guide) (GERMAN) (NWZ-A826: AEP, UK/NWZ-A826K: AEP/ NWZ-A828: AEP, UK/NWZ-A828K: AEP/ NWZ-A829: AEP, UK)	
	3-289-810-41	MANUAL (QSG), INSTRUCTION (Quick Start Guide) (SPANISH) (NWZ-A826: AEP, UK/NWZ-A826K: AEP/ NWZ-A828: AEP, UK/NWZ-A828K: AEP/ NWZ-A829: AEP, UK, MX)	

Ref. No.	Part No.	Description	Remark
	3-289-810-51	MANUAL (QSG), INSTRUCTION (Quick Start Guide) (ITALIAN) (NWZ-A826: AEP, UK/NWZ-A826K: AEP/ NWZ-A828: AEP, UK/NWZ-A828K: AEP/ NWZ-A829: AEP, UK)	
	3-289-810-61	MANUAL (QSG), INSTRUCTION (Quick Start Guide) (RUSSIAN) (NWZ-A826: EE/NWZ-A828: EE/NWZ-A829: EE)	
	3-289-810-71	MANUAL (QSG), INSTRUCTION (Quick Start Guide) (SIMPLIFIED CHINESE) (NWZ-A826: E, CH/NWZ-A826K: E/ NWZ-A828: E, CH/NWZ-A829: E, JE)	
	3-289-810-81	MANUAL (QSG), INSTRUCTION (Quick Start Guide) (TRADITIONAL CHINESE) (NWZ-A826: E/NWZ-A828: E/NWZ-A829: E, JE)	
	3-289-810-91	MANUAL (QSG), INSTRUCTION (Quick Start Guide) (KOREAN) (NWZ-A826: E/NWZ-A828: E/NWZ-A829: E, JE)	
	3-289-811-11	MANUAL (QSG), INSTRUCTION (Quick Start Guide) (UKRAINIAN) (NWZ-A826: EE/NWZ-A828: EE/NWZ-A829: EE)	
	3-289-811-21	MANUAL (QSG), INSTRUCTION (Quick Start Guide) (PORTUGUESE) (NWZ-A829: MX)	
	3-289-811-31	MANUAL (QSG), INSTRUCTION (Quick Start Guide) (TURKISH) (NWZ-A826: EE/NWZ-A828: EE/NWZ-A829: EE)	
	8-912-781-90	RECEIVER (MDREX082LPB9 SET) (Headphones) (for BLACK, GOLD)	
	8-912-782-90	RECEIVER (MDREX082LPW9 SET) (Headphones) (for WHITE, PINK, SILVER)	
	X-2189-179-1	SOFT APPLICATION ASSY (CD-ROM: MP3 Con- version Tool, Media Manager for WALKMAN, Windows Media Player 11, Operation Guide (PDF file)) (US)	
	X-2189-182-1	SOFT APPLICATION ASSY (CD-ROM: MP3 Conversion Tool, Media Manager for WALKMAN, Windows Media Player 11, Operation Guide (PDF file)) (EXCEPT US)	
501	3-279-909-01	ATTACHMENT (AS) (Use when connecting the player to the optional cradle, etc.)	
502	X-2189-220-2	STAND (B/N) ASSY (for BLACK, GOLD)	
502	X-2189-221-2	STAND (P/W) ASSY (for WHITE, PINK, SILVER)	



- NWZ-A826K/A828K, Wireless stereo headset (DR-BT21G), it attaches.
About DR-BT21G, refer to the following service manual.
US, Canadian, E, Australian models: 9-887-599-□□
AEP, UK models: 9-887-601-□□

MEMO

Free Manuals Download Website

<http://myh66.com>

<http://usermanuals.us>

<http://www.somanuals.com>

<http://www.4manuals.cc>

<http://www.manual-lib.com>

<http://www.404manual.com>

<http://www.luxmanual.com>

<http://aubethermostatmanual.com>

Golf course search by state

<http://golfingnear.com>

Email search by domain

<http://emailbydomain.com>

Auto manuals search

<http://auto.somanuals.com>

TV manuals search

<http://tv.somanuals.com>