

SONY



Intel® Centrino® Processor Technology

VAIO SZ

VGN-SZ75GN/B



Solid mobility with refined performance.

Sony recommends Windows Vista® Business.

Specifications

Model	VGN-SZ75GN/B
Processor Technology	Intel® Centrino® Processor Technology • Intel® Core™2 Duo Processor T8100 (2.10GHz)*1*2 • Intel® Wireless WiFi Link 4965AGN • Mobile Intel® GM965 Express Chipset
OS	Genuine Windows Vista® Business (English version) with Traditional Chinese Language Pack
Chipset	Mobile Intel® GM965 Express Chipset
Processor System Bus	800MHz
Memory Bus	667MHz
Cache Memory	3MB
Main Memory	Pre-installed / Max 1GB DDR2 SDRAM*3 (upgradeable up to 4GB*4)
Memory	SO-DIMM slots 2 SO-DIMM slots (The pre-installed memory module uses one)
Hard Disk Drive	160GB*5 (Serial ATA, 5400rpm)
Drive	DVD±RW/±R DL/RAM Drive
Optical Disc Drive	Maximum Reading Speed DVD-R: 8x (Single Layer), 6x (Double Layer) / DVD-R: 8x (Single Layer), 6x (Dual Layer) / DVD+RW: 8x / DVD-RW: 8x / DVD-ROM: 8x / DVD-RAM: 5x / CD-ROM: 24x / CD-R: 24x / CD-RW: 24x Maximum Writing Speed DVD+R: 8x (Single Layer), 4x (Double Layer) / DVD-R: 8x (Single Layer), 4x (Dual Layer) / DVD+RW: 8x / DVD-RW: 6x / DVD-RAM: 5x / CD-R: 24x / CD-RW: 16x
Graphics Accelerator	NVIDIA® GeForce® 8400M GS notebook graphics processing unit (GPU) (SPEED MODE) / Intel® Graphics Media Accelerator X3100 (STAMINA MODE)
Dedicated Video Memory	64MB (SPEED MODE)
Display	13.3" Wide (WXGA: 1280 x 800) TFT Colour display (Clear Bright LCD)
USB	High Speed USB 2.0 x 2
i.LINK (IEEE 1394)	4-pin (S400) x 1
Network (RJ-45) Connector	10Base-T/100Base-TX/1000Base-T x 1
Display Output Connector	Analogue RGB, mini D-sub 15pin x 1
Headphone	stereo mini jack x 1
Microphone	stereo mini jack x 1
Modem	V.92 and V.90 Compliant x 1
Memory Stick Slot	Memory Stick Duo Slot (MagicGate compatible, Memory Stick Duo compatible, High-speed data transfer compatible)*6
DC IN	x 1
Others	Docking Station Connector x 1
Wireless LAN	Integrated Wireless LAN IEEE 802.11a/b/g/Draft n*7 • Intel® Wireless WiFi Link 4965AGN • Data rate: Maximum 11Mbps (802.11b), 54Mbps (802.11a/g), 300Mbps (Draft 802.11n)*8 • Frequency: 5GHz (802.11a/Draft n), 2.4GHz (802.11b/g/Draft n)
Bluetooth	Bluetooth standard Ver. 2.0 + EDR
Compatible Memory Cards*9	• Memory Stick (Standard/Duo Size, MagicGate, Memory Stick PRO)*10 • SD Memory Card (SDHC Compatible)*11 • Multi Media Card • xD-Picture Card
PC Card Slot	• ExpressCard™/34 x 1 • Type I/II x 1
Fingerprint Sensor	x 1
Security Chip	TCG Ver. 1.2 compliant Trusted Platform Module (TPM)
Camera	Effective Pixels: 640 x 480
Audio	• DSD compatible high quality sound chip: "Sound Reality" (Intel® High Definition Audio compatible) • 3D audio (Direct Sound 3D support) • Built-in stereo speakers • Built-in monaural microphone
Keyboard / Input Device	• Approx. 19mm key pitch / 2.7mm keystroke • 86 keys • Intelligent Touchpad
Battery	Bundled Battery VGP-BPS9A/B Lithium-ion battery: up to 6.5 hours of use
Life*12	Optional Long Battery VGP-BPL9 Lithium-ion battery: up to 9.5 hours of use
Dimensions (W x H x D)	315 x 24.7 - 36.4 x 234.3mm
Weight	1.93kg (including the supplied battery)
Included Software	• AV Entertainment: Image Converter 3 • Video Edit/Playback: VAIO Movie Story 1.1, VAIO Content Exporter 1.2, Adobe® Premiere® Elements 4.0, VAIO Edit Components 6.4*13, WinDVD for VAIO 8.0 • DVD Creation: Click to Disc 1.0, Click to Disc Editor 1.0 • Music: VAIO MusicBox 1.1, SonicStage Mastering Studio 2.4, SonicStage Mastering Studio Audio Filter 2.3, DSD Direct Player 1.0 • Still Image/Photo: Windows® Photo Gallery, Picasa™, Adobe® Photoshop® Elements 6.0 (Installer) • Home Network: VAIO Media 6.0 • Word Processor/Spreadsheet: 60-Days Trial Version of Microsoft® Office Professional 2007*14 • Tool: Roxio Easy Media Creator 9.1, Adobe® Reader® 8, Norton Internet Security™ 2008 (Installer)*15 • Utilities: VAIO Control Center 2.1, VAIO Camera Capture Utility 2.7, Setting Utility Series 3.1, Infineon TPM Professional Package 3.0 (Installer), ArcSoft Magic-i™ Visual Effects 1.0, Protector Suite QL 5.6 • Support: VAIO Recovery Center, VAIO Update 3.0, VAIO Data Restore Tool 1.0
Supplied Accessories	• AC Adaptor (VGP-AC19V28) • Lithium-ion battery (VGP-BPS9A/B)*16 • Memory Card Adaptor (VGP-MCA20A) • Windows® XP Professional Install Disc
Warranty	One year*17

Features and specifications are subject to change without notice.

*1 CPU speed will be reduced under certain operating conditions. *2 Intel® Virtualization Technology is not supported on VAIO. *3 If memory modules of the same capacity are installed to both of the two memory module slots, the supported dual channel mode provides better performance. *4 A portion of the system memory over 3GB may not be available to the operating system. Sony does not guarantee compatibility with memories of other brands. *5 GB means one billion bytes when referring to hard disk drive capacity. Accessible capacity may vary. A portion of hard disk space is reserved as a recovery partition. *6 Compatibility confirmed with Sony branded "Memory Stick" media only. *7 The maximum communication distance can vary depending on the obstacles or the distance between the communication devices, the radio waves, the operating system or the software being used. *8 The communication speed varies depending on the distance between communication devices, existence of obstacles between such devices, the device configuration, the radio conditions, and the software in use. In addition, communication may be cut off depending on the radio conditions. *9 Including cards that can be inserted in direct slots and the supplied memory card adaptor (VGP-MCA20A). *10 As for the Memory Stick PRO media, only Sony branded media is recommended to use with the memory card adaptor (VGP-MCA20A). *11 The copyright protection and high-speed data transfer features of the SD Memory Card are not supported (VGP-MCA20A). *12 Estimated battery life (under JETA Battery Run Time Measurement Method ver. 1.0). Actual battery life may vary with different operating conditions and settings. For further details, please visit vaio-online.sony.com. *13 Though the software is not pre-installed, the official license is registered. It can be downloaded free of charge. *14 This software is intended for evaluation purposes only. It must be activated before actual use, and the activation procedures will be detailed during initial launch. Activation requires Internet access, which enables certain functions included. This software has an expiration date of 60 days from date of first use, at which time the software will operate under reduced-functionality mode, limiting options and operations. *15 Free use of 90 days. Further update will be charged. *16 This product may only function with a genuine Sony battery designed for this model. *17 Warranty conditions may vary by region.

The trademarks, including but not limited to "SONY", "VAIO", "Memory Stick" and "SonicStage" are either trademarks or registered trademarks of Sony Corporation and/or its subsidiaries. Adobe, Adobe Photoshop, Adobe Reader and Adobe Premiere are trademarks of Adobe Systems Incorporated in the United States and/or other countries. Centrino, Centrino Inside, Centrino Logo, Core Inside, Intel, Intel Logo, Intel Core, Intel Inside, Intel Inside Logo, Pentium and Pentium Inside are trademarks of Intel Corporation in the U.S. and other countries. Windows Vista and the Windows logo are trademarks or registered trademarks of Microsoft Corporation in the United States and/or other countries. All other product and brand names may be trademarks or registered trademarks of their respective owners. Whilst information given is true at time of printing, small production changes in the course of our company's policy of improvement through research and design might not necessarily be included in the specifications. E&OE. Actual models may differ slightly in appearance to illustrations provided.

<OS Downgrade to Windows® XP>

Note that you cannot use the following features and software that you could use on Windows Vista® after upgrading to Windows® XP: Plug and Display feature, Instant Mode (on models with Instant Mode only), VAIO HDD Protection (on models with a hard disk drive only), Sony original audio and visual software, Non-Sony software (e.g. Norton Internet Security™, InterVideo WinDVD, etc.), VAIO Recovery Tool. Refer to the Windows® Professional Install Disc: User Guide for further details.

Optional Accessories for VGN-SZ75GN/B (availability depends on region)

VGP-PRS31

Docking Station

- Monitor connector
- Network connector
- USB 2.0 connector (x3)



VGP-CKS21

Carrying Case

- Integrated "VAIO Smart Protection™" for PC cushion
- Solid design matching VAIO SZ



VGP-BPL9

Lithium-ion Battery (L)

- Rechargeable battery
- Up to 9.5 hours of use*12



VGP-CP15

Carrying Pouch

- Embossed VAIO logo
- Handy mini-pouch
- Opens smoothly and quietly



VGP-BMS33

Bluetooth® Laser Mouse

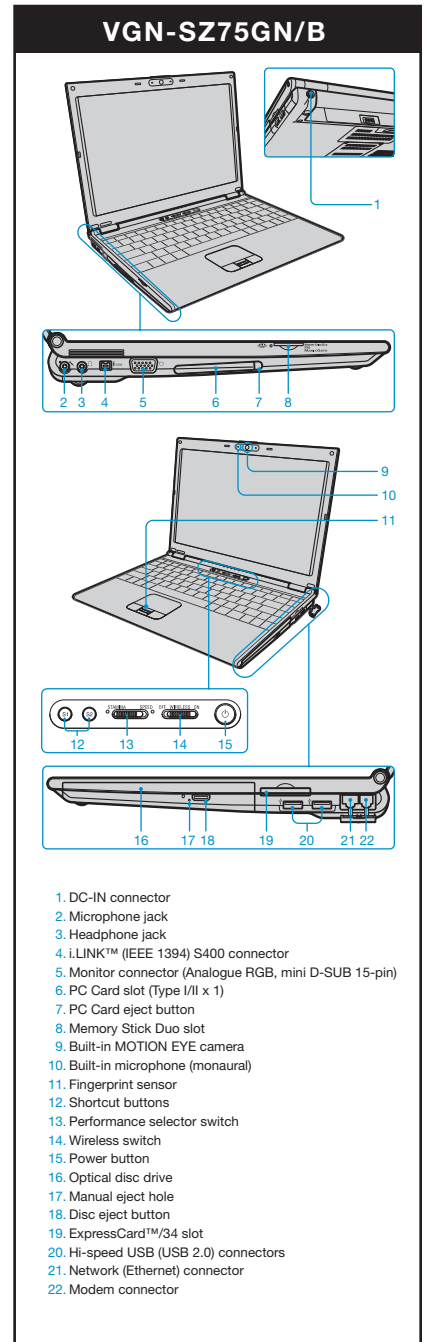
- Smart wireless mouse for mobile use
- Highly accurate laser sensor
- Innovative PTFE sole for precise operation
- Sensor resolution: 800 dots per inch



VGP-UMS55

USB Laser Mouse

- Ergonomic design naturally fits your hand
- Highly accurate laser sensor



1. DC-IN connector
2. Microphone jack
3. Headphone jack
4. i.LINK™ (IEEE 1394) S400 connector
5. Monitor connector (Analogue RGB, mini D-SUB 15-pin)
6. PC Card slot (Type I/II x 1)
7. PC Card eject button
8. Memory Stick Duo slot
9. Built-in MOTION EYE camera
10. Built-in microphone (monaural)
11. Fingerprint sensor
12. Shortcut buttons
13. Performance selector switch
14. Wireless switch
15. Power button
16. Optical disc drive
17. Manual eject hole
18. Disc eject button
19. ExpressCard™/34 slot
20. Hi-speed USB (USB 2.0) connectors
21. Network (Ethernet) connector
22. Modem connector

like.no.other

VAIO
no more bounds



A delicate harmony of mobility, style and power

VGN-SZ75GN/B

VAIO SZ75GN/B has solid features in delicate balance. Like advanced Intel® Centrino® Processor Technology for varied mobile performance and Sony's Hybrid Graphic System, for freedom to choose the graphic accelerator you need. Or the 13.3" wide size offering optimal portability with satisfying Clear Bright LCD features. The full-pitched, full-sized keyboard also is made for maximum usability. Two-toned in Charcoal Black and light silver, enhanced by an aluminium hairline palm rest, the VAIO SZ75GN/B exudes exclusive design. All delicately harmonised into a slim 13.3" wide notebook! Would you expect anything less from VAIO SZ75GN/B?



■ Built-in MOTION EYE camera centred on an LCD bezel



■ Built-in Fingerprint Sensor



■ VAIO mirror logo

Advanced tech styled in a 13.3" wide size

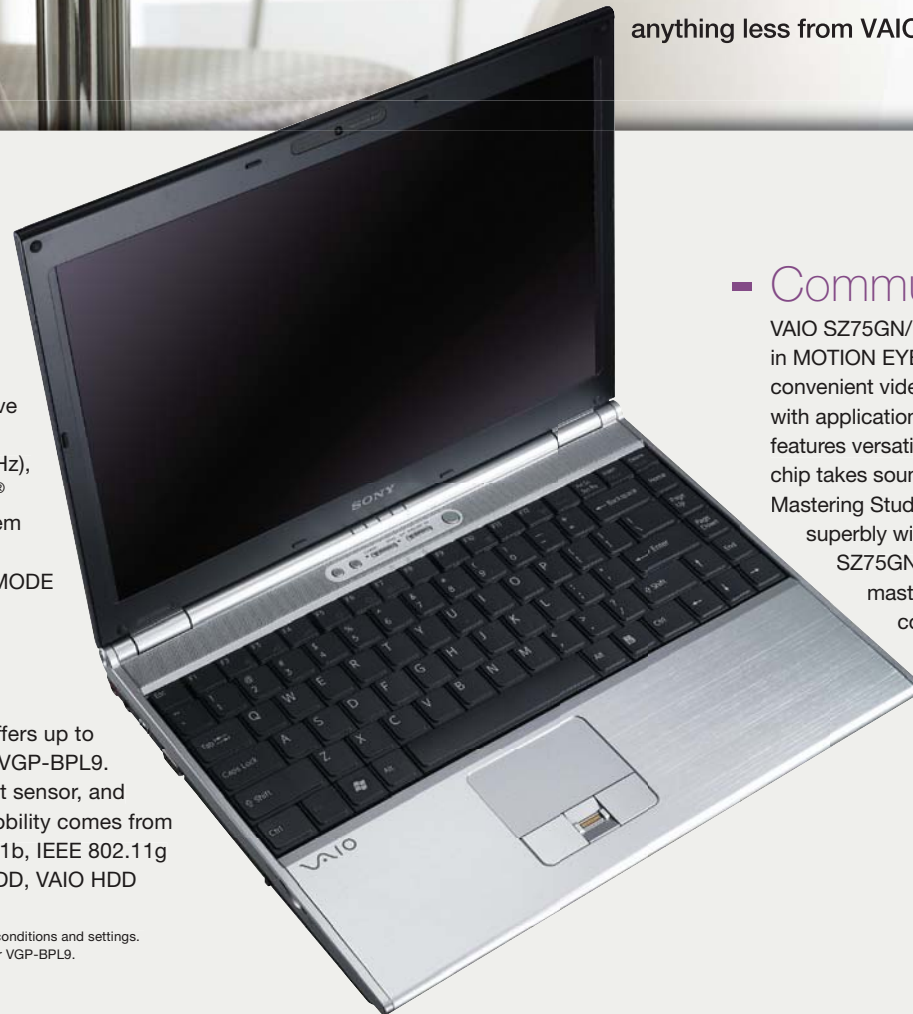
VAIO SZ75GN/B's 13.3" wide size offers optimum display space for efficient business use or movies. Open an application window with a task menu, or two in horizontal layout. The latest operating system, Windows Vista® Business, comes preinstalled and Windows® XP Professional Installer is also provided for the sake of those who use Windows® XP at work. Innovative Intel® Centrino® Processor Technology ensures extremely smooth and powerful mobile performance with the newest accelerated Intel® Core™2 Duo Processor T8100 (2.10GHz), advanced Mobile Intel® GM965 Express Chipset supported by FSB 800MHz, and Intel® Wireless WiFi Link 4965AGN Network Connection. Sony's unique Hybrid Graphic System offers a choice of external NVIDIA® GeForce® 8400M GS GPU or internal graphics accelerator. Use SPEED MODE for 3D games, video playing or editing, and STAMINA MODE for various mobile scenes.



Mobile endurance and security

For powerful mobile performance, long-lasting stamina is essential. VAIO SZ75GN/B offers up to 6.5 hours* with standard battery VGP-BPS9A/B, up to 9.5 hours* with optional battery VGP-BPL9. In addition, VAIO SZ75GN/B is equipped with a TPM security chip, biometric fingerprint sensor, and HDD password capability for quick log-on and extra data security. Fast and smooth mobility comes from VAIO SZ75GN/B's compatibility with wireless LAN standards IEEE 802.11a, IEEE 802.11b, IEEE 802.11g and IEEE 802.11 Draft n (Wi-Fi). And, by sensing shakes or shocks and securing the HDD, VAIO HDD Protection with integrated 3D acceleration sensor prevents important data loss.

* Estimated battery life (under JEITA Battery Run Time Measurement Method ver. 1.0). Actual battery life may vary with different operating conditions and settings. Estimated battery life at "SPEED MODE" will be approximately 1.5 hours shorter for VGP-BPS9A/B and approximately 2.0 hours shorter for VGP-BPL9.



Communication advantages + AV

VAIO SZ75GN/B features advanced mobile PC communication with built-in MOTION EYE camera and mic. Simply turn on MOTION EYE for convenient videoconferencing. Or use Bluetooth®-compatible headsets with applications for smooth voice communication. VAIO SZ75GN/B also features versatile audiovisual capabilities. Sony's new Sound Reality audio chip takes sound performance to a superior level. And SonicStage Mastering Studio Audio Filter with 4 exclusive sound presets works superbly with specially recommended headphones*. With VAIO SZ75GN/B's DVD±RW/±R DL/RAM Drive, archiving your digital masterpieces like home videos, edited movies, or photos couldn't be smoother. For flexible editing capability, take advantage of the integrated Memory Stick Duo slot and ExpressCard™/34 slot plus bundled Memory Card Adaptor. Communicate, create, and listen with VAIO SZ75GN/B!



Recommended headset



Sony Ericsson HBH-PV705*

Powerful Software for creative minds.

VIDEO & PHOTOS



Click to Disc / Click to Disc Editor
Create video/photo DVDs with menus in one click. Use photos and footage you've edited with Click to Disc Editor.



VAIO Movie Story
Automatically produce high-quality home movies with a professional feel in three simple steps.



Adobe® Premiere® Elements
Enjoy advanced editing of videos, photos, and music with this renowned software.



Adobe® Photoshop® Elements
Add a personal touch to your prized still images and present them effectively to your friends.



VAIO Content Exporter
Simply and smoothly export a wide range of AV files, including video footage and photos you've enjoyed creating yourself.

Roxio Easy Media Creator / Win DVD for VAIO / Picasa™

MUSIC



VAIO MusicBox
Intelligent software that automatically plays music from your collection that fits your mood, activity or time of day.



SonicStage Mastering Studio
Convert analogue music to digitally enhanced audio** with high-quality effector modules.



SonicStage Mastering Studio Audio Filter
Enhance any audio content played on VAIO laptop PCs and enjoy it with excellent headphone presets.

SUPPORT

VAIO Update

Alerting you to important changes via Internet that appear as reminder balloons on your desktop.***

Norton Internet Security™ 2008

Highly effective monitoring for viruses and spyware helps keep computing secure.****

VAIO Recovery Center / VAIO Data Restore Tool

Main features

High-durability: Magnesium body	Beautiful viewing: Clear Bright LCD	Built-in Camera: MOTION EYE	Light for its size: 1.93kg	Network freedom: Wireless LAN 802.11a/b/g/Draft n & Bluetooth®	Handy presentation: Plug & Display
Instant ID recognition: Fingerprint Sensor	Assured security: TPM Security Chip / Hard Disk Password	Comfortable typing: Full-pitched Keyboard	Direct Media Access: Memory Stick Duo Slot	Broad media capability: Memory Card Adaptor	High quality sound: Sound Reality Audio Chip

Basic specifications

Intel® Core™2 Duo Processor T8100 (2.10GHz)	Genuine Windows Vista® Business	13.3" WXGA display 1280 x 800	NVIDIA® GeForce® 8400M GS GPU
DVD±RW/±R DL/RAM Drive	Memory 1GB	Hard Disk Drive 160GB	

* Availability depends on region.
** Roland EDIROL AUDIO capture UA-25* or UA-101* USB audio interface device required.
*** Internet connection required for use.
**** Free use of 90 days. Further update will be charged.
Note: Any copying or reproduction of copyrighted material may amount to copyright infringement.



Free Manuals Download Website

<http://myh66.com>

<http://usermanuals.us>

<http://www.somanuals.com>

<http://www.4manuals.cc>

<http://www.manual-lib.com>

<http://www.404manual.com>

<http://www.luxmanual.com>

<http://aubethermostatmanual.com>

Golf course search by state

<http://golfingnear.com>

Email search by domain

<http://emailbydomain.com>

Auto manuals search

<http://auto.somanuals.com>

TV manuals search

<http://tv.somanuals.com>