

Network Player

Operating Instructions

Before operating the unit, please read this manual thoroughly and retain it for future reference.

NSP-1

WARNING

To prevent fire or shock hazard, do not expose the unit to rain or moisture.

To avoid electrical shock, do not open the cabinet. Refer servicing to qualified personnel only.

Caution

When using a LAN cable: For safety, do not connect to a connector for peripheral device wiring that might have excessive voltage.

IMPORTANT

The nameplate is located at the left side.

For the customers in the USA

This equipment has been tested and found to comply with the limits for a Class A digital device, pursuant to Part 15 of the FCC Rules. These limits are designed to provide reasonable protection against harmful interference when the equipment is operated in a commercial environment. This equipment generates, uses, and can radiate radio frequency energy and, if not installed and used in accordance with the instruction manual, may cause harmful interference to radio communications. Operation of this equipment in a residential area is likely to cause harmful interference in which case the user will be required to correct the interference at his own expense.

You are cautioned that any changes or modifications not expressly approved in this manual could void your authority to operate this equipment.

The shielded interface cable recommended in this manual must be used with this equipment in order to comply with the limits for a digital device pursuant to Subpart B of Part 15 of FCC Rules.

For the customers in Europe

This product with the CE marking complies with the EMC Directive (89/336/EEC) issued by the Commission of the European Community.

Compliance with this directive implies conformity to the following European standards:

- EN55103-1: Electromagnetic Interference (Emission)
- EN55103-2: Electromagnetic Susceptibility (Immunity)

This product is intended for use in the following Electromagnetic Environment (s):

E1 (residential), E2 (commercial and light industrial), E3 (urban outdoors) and E4 (controlled EMC environment ex. TV studio).

WARNING

Use an AC power adapter provided with this equipment as a power supply source. Any other power sources may result in hazards such as a fire.

This product has no power switch.

Disconnect device of this equipment is the mains plug of the AC adapter.

The mains plug on this equipment must be used to disconnect mains power. Please ensure that the socket outlet is installed near the equipment and shall be easily accessible. In the event of abnormal operations, disconnect the mains plug.

For the customers in Netherlands Voor de klanten in Nederland

Gooi de batterij niet weg, maar lever hem in als KCA.



Table of Contents

Features	4
Names and Functions of Parts.....	5
Front Panel.....	5
Rear Panel.....	6
System Configuration	8
Installation	9
Setup	9
Preparation.....	9
Opening the Setup Pages	9
Selecting a Language.....	10
System Setup	10
User Setup.....	11
Making Account Settings	12
When All of the Settings for All of Pages Are Completed	13
Confirming the Status of this Unit	14
Installing the BZNP-D1LE	14
Downloading Sample Material	15
Others.....	15
Specifications.....	15
Time Difference World Map	17

Features

The NSP-1 Network Player plays back (decodes) video/ audio data in MPEG format, outputting an analog signal. It is the ideal digital content player for advertising, presentations, training, and other situations. The following are the principal features of this system.

High Image Quality

Plays MPEG-2 MP@ML encoded movies and full-color still images and Web screen, providing an image quality comparable to that of a DVD player.

Superimposed Movies, Stills, and Text

With a playlist, you can specify movies, stills, and superimposed captions to be displayed simultaneously on the monitor for specified durations.

Large Storage Capacity

The unit incorporates a 40-GB hard disk drive. This holds about six hours and 30 minutes of video compressed to a bit rate of 8 Mbps, or about 13 hours of video at 4 Mbps. 1)

1) Figures for storage times are for storing movies only. Depending on how the system is used, the actual movie storage capacity may be less than these figures.

Wide Range of Interfaces Supported

- Analog video input: Composite video input is available. This allows you to overlay moving images sent from a VTR or DVD over a still image.
- Analog audio input: Two input channels (left and right) are available. This allows the unit to output mixed audio signals input from a VTR or DVD.
- Analog video output: Composite video output is available.
- Analog audio output: Two output channels (left and right) are available.
- 10BASE-T/100BASE-TX: Network connection is possible.
- GPI: This allows remote control of the monitor and other external devices connected to this unit.

Image Rotation on the monitor screen display

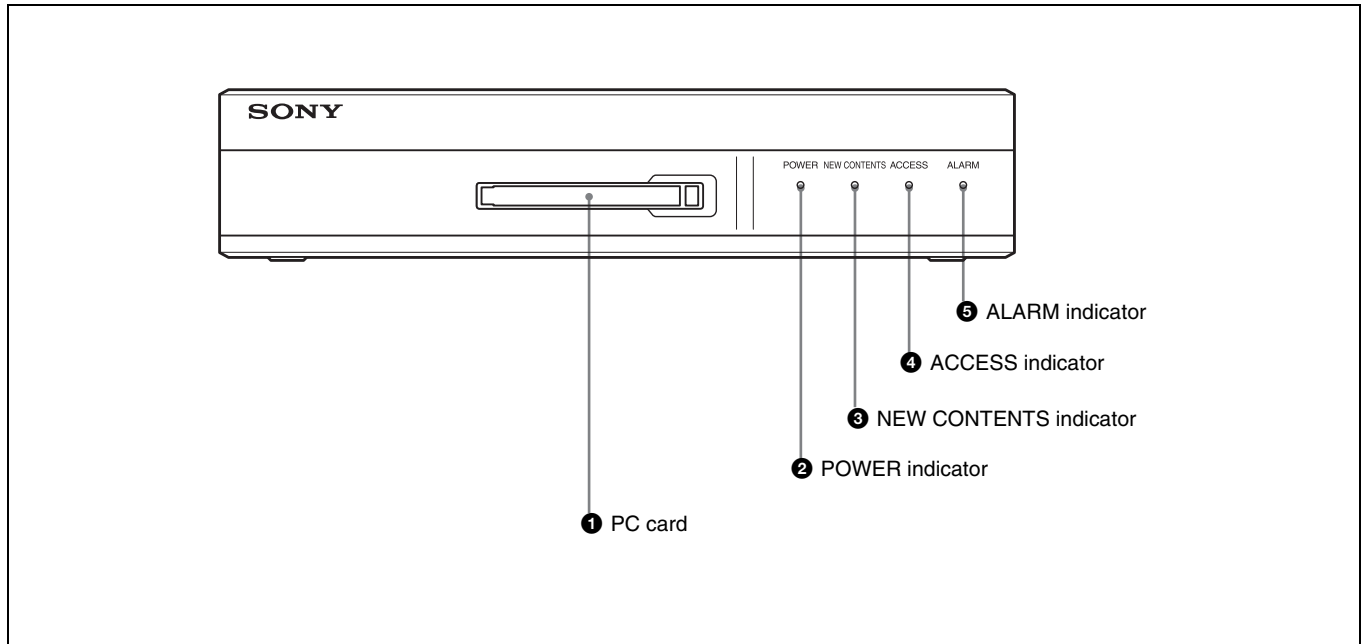
Since you can rotate the direction of the still image displayed, you are not required to create still images for vertical display.

Compact and Lightweight

The dimensions (width/height/depth) are 210 × 44 × 167 mm (8 3/5 × 1 3/4 × 6 5/8 inches), and the unit weighs only about 1.5 kilogram (3 lb 6 oz), despite incorporating a large-capacity hard disk drive.

Names and Functions of Parts

Front Panel



1 PC card

Use only the supported PC card.
For detailed information on the supported PC card, consult your nearest Sony dealer.

Note

At the factory, a dummy card has been inserted. When you use a real PC card, remove the dummy PC card. Retain the dummy card. When a PC card is not being used, be sure to keep the dummy card inserted in the slot. If the dummy card is removed and nothing is inserted in the PC card slot, the ventilation of the unit does not work correctly.

2 POWER indicator

This lights when power is supplied to the unit.

3 NEW CONTENTS indicator

This indicator is off, or lit, to indicate the status of new content delivery.

Lit: New data has arrived.

Off: At least one item of new data has been played or deleted.

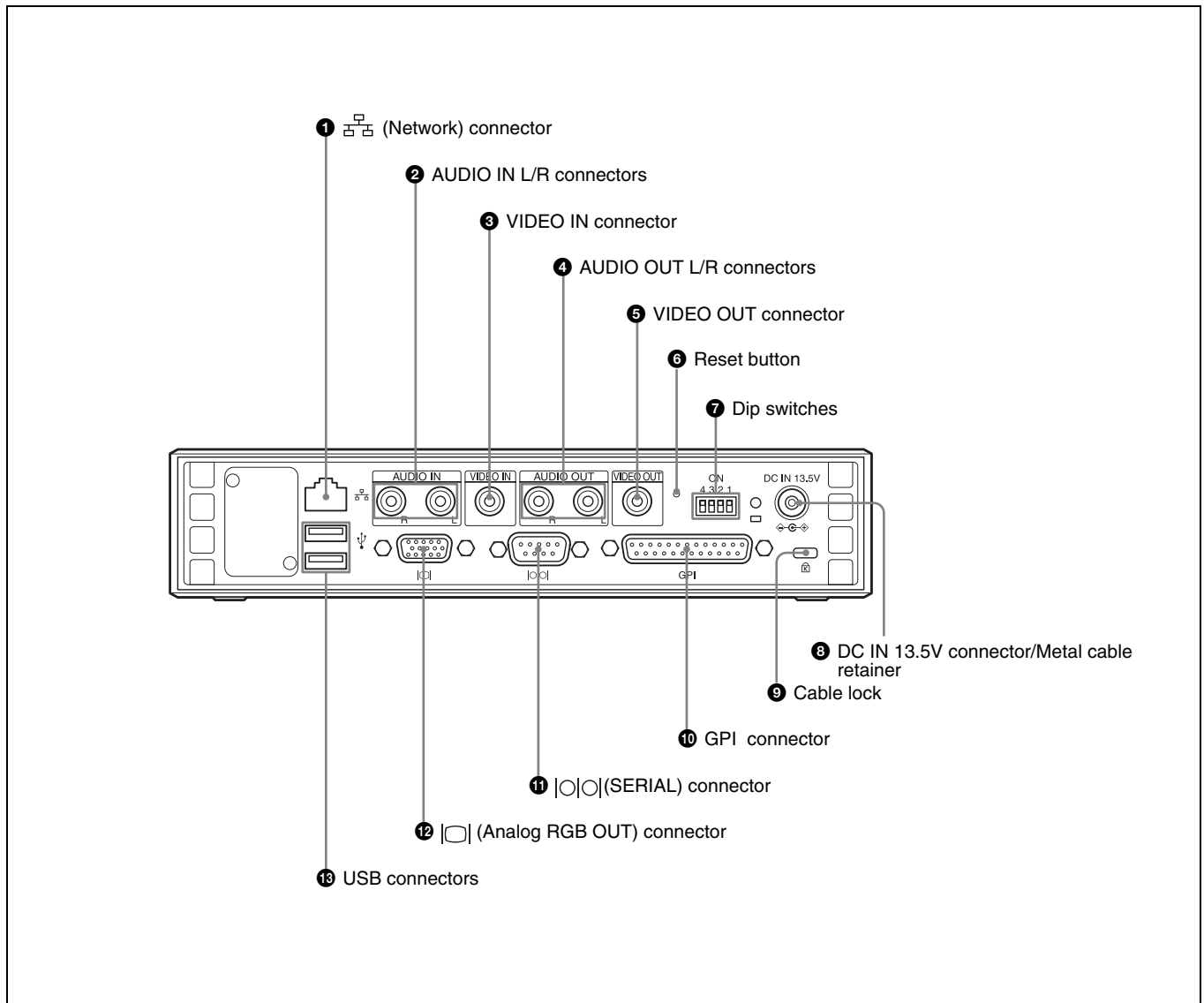
4 ACCESS indicator

This indicator flashes while data is being read or written to the internal hard disk drive.

5 ALARM indicator

This flashes when a system error has occurred.
When this indicator is flashing, an error has occurred.
Contact your nearest Sony dealer.

Rear Panel



1 Network connector (RJ-45 modular jack)
This is a 10BASE-T/100BASE-TX connector for network (Ethernet) connection.

Caution

When using a LAN cable: For safety, do not connect the unit to a connector for peripheral device wiring that might have excessive voltage.

2 AUDIO IN L/R connectors (pin jacks)
These input analog audio signals.

3 VIDEO IN connector (pin jack)
This inputs the analog composite video signal.

4 AUDIO OUT L/R connectors (pin jacks)
These output the playback audio as an analog signal. For a stereo signal, connector L outputs the left channel, and connector R outputs the right channel

5 VIDEO OUT connector (pin jack)
This outputs the playback video as a composite signal.

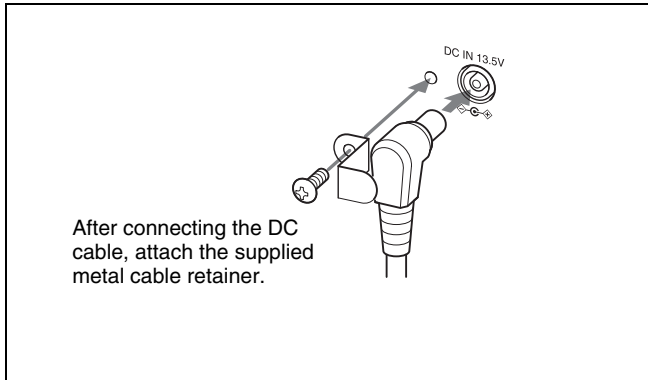
6 Reset button
Used to forcibly restart this unit when it hangs or freezes. Push this button using a sharply pointed tools, such as a pencil or stretched paper clip.

7 Dip switches
Used for various services. Set all switches to OFF.

8 DC IN 13.5V connector/Metal cable retainer

Connect the DC cable of the supplied AC adapter to this connector.

After connecting the DC cable, it is recommended that you attach the supplied metal cable retainer to prevent the DC cable from being accidentally disconnected.



9 Cable lock

Attach a security cable to prevent the unit from being stolen.

10 GPI (general purpose interface) connector (D-sub 25-pin, female)

This is a parallel interface connector.

For detailed information on this connector, contact your nearest Sony dealer.

11 |O|O|(SERIAL) (general purpose interface) connector (D-sub 9-pin, male)

Connect this to the D-sub 9-pin connector of a plasma display or video monitor to allow you control those devices.

12 |□| (Analog RGB OUT) (general purpose interface) connector (HD D-sub 15-pin, male)

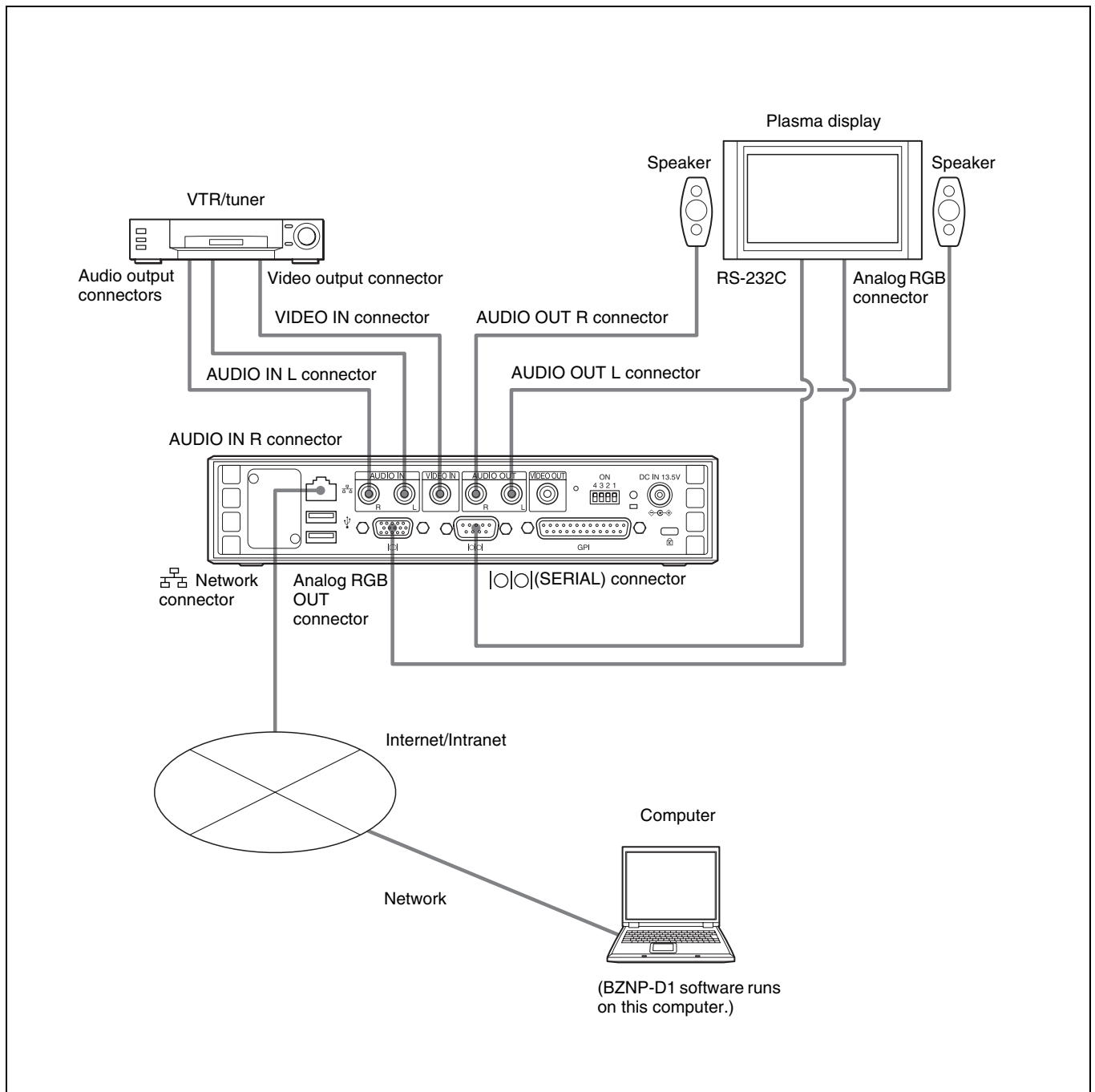
Connect this to the VGA connector of a plasma display or video monitor.

13 USB connectors

Currently, these connectors are not used. They are reserved for future use.

System Configuration

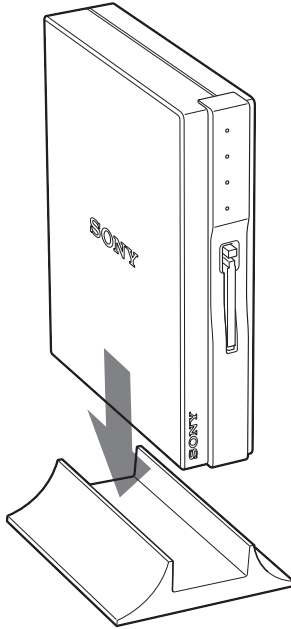
The following diagram shows an example of a typical system configuration.



Installation

This unit is designed to be operated in either a horizontal or vertical position.

If you wish to install this unit vertically, use the supplied stand and mount this unit on the stand as illustrated. If this unit is mounted in the wrong direction, it is likely to malfunction.



Setup

This section describes the settings you should make to use this unit for the first time.

The following pages are used for system setup.

- **System Settings page** (*see page 10*)
Used to make settings for items such as system date and time, and others related to network, displays, and so on.
- **User Settings page** (*see page 11*)
Used to make settings for items such as recover mode, play log settings and so on.
- **Account Settings page** (*see page 12*)
Used to make settings for user names and passwords.

When you use this unit first time, make the required settings according to the procedures described below.

When you want to change settings, follow the procedure given for the corresponding items on the page.

About the Advanced Settings page

Systems administrator privileges are not required to make settings on this page. This page is prepared for service or special settings. This page is not used for daily operation.

Preparation

Access the setup page from the Web browser.

For detailed information on how to access the setup pages from the Web browser, first download the manual. To do this, refer to “Downloading the Manual” explained in the Operation Guide of the printed manual supplied with this unit.

For details, refer to the Operation Guide.

Opening the Setup Pages

- 1** Turn the power of the computer on.
- 2** Turn the power of the unit on.
- 3** Start the Web browser (Internet Explorer).

- 4** Enter a URL.

Enter the following default address and port number set at the factory.

`http://192.168.0.1:4980`

- 5** Press the ENTER key.
The confirmation dialog box appears.
- 6** Enter the user name and password.

Enter the following user name and password set at the factory.

User name: NSP1admin
Password: NSP1admin

Note

Be sure to change the password set at the factory for safety.

For detailed information on how to change the password, see "Making Account Settings" on page 12.

7 Click the "OK" button.

The Status page opens.

Selecting a Language

You can select the language used on the setup pages.
To display the setup pages in Japanese: Click "Japanese".
To display the setup pages in English: Click "English".

System Setup

The System Settings page is used to make general system settings such as system date and time, networks, displays, and so on. Also, this page allows you to verify system information

Opening the System Settings page

Click the "System Settings" button.
The System Settings page opens.

Setting/changing the system date and time

1 Enter the date (year/month/day) and time (hours/minutes) in the "NSP-1 Current Date & Time Setting" column.

2 Enter the time zone.

Enter the time difference from UTC.

For detailed information on the time difference, see the time difference world map on page 17.

3 Click the "Send" button.

The date and time information is sent to the unit.

Note

The date and time can be set or changed only by clicking the "Send" button to send the information to the unit.

However, whenever you change the time zone, be sure to carry out the following operation.

However, if you intend to continue the setup operation, it is not necessary to carry out the following step.

Make the settings on each page, as required. When all of the desired settings are completed on each page, be sure to click the "Reboot" button on that page.

4 Click the "Reboot" button.

The unit is powered off once, and then powered on again.

The time zone of this unit is switched to the one entered in step 2.

Note

When a "ON" is selected indicating an NTP server is to be used on page 11, the date and time set on this page are adjusted according to the time information sent from the NTP server after a while.

Making the network settings

1 Set the network address.

When a DHCP server is used:

Select "Use" from "Use DHCP".

The IP address, subnet mask, and gateway address are obtained automatically.

After this unit is turned off and then turned on when you click the "Reboot" button, addresses automatically obtained are displayed.

When a DHCP server is not used:

Select "No use" from "Use DHCP".

Enter the following parameters:

IP address: Enter the IP address for this unit.

Subnet mask: Enter the subnet mask of the network where the unit is to be used.

Gateway: Enter the IP address of the gateway.

When a wireless LAN is used:

Select "Use" from "Use Wireless LAN."

Enter the ESSID (Extended Service Set ID) in the "ESSID" text box and the WEP (Wired Equivalent Privacy) key in the "WEP key" text box, if required.

Up to 31 alphabetical and numeric characters, excluding *, [,], \, %, /, \$, ", &, and ', can be entered to make up the ESSID.

Ask the network administrator for both.

Note

Be sure not to connect the network cable to the network connector on the unit, when a wireless LAN is used.

When a wireless LAN is not used:

Select “No use” from “Use Wireless LAN.”

2 Make settings related to the DNS server.**When a DNS server is not used:**

Select “Off” from “Refer DNS.”

When a DNS server is used:

Select “On” from “Refer DNS”.

Enter the IP address of the DNS server set for the network (Internet/intranet) to which this unit is connected.

For detailed information on the address, ask your network administrator.

3 Make settings related to the proxy server.**When a proxy server is used:**

Select “On” from “Proxy Server.”

Enter the address and the port number in the “Proxy Server Address” text box and “Proxy Server Port” text box respectively.

Ask the network administrator for the address and the port number.

When a proxy server is not used:

Select “Off” from “Proxy Server.”

4 Make settings related to the NTP server.

Select whether or not the built-in clock is to be adjusted via the network.

When an NTP server is not used

Select “Off” from “NTP Server”.

When a NTP server is used:

Select “On” from “NTP Server”.

Enter the IP address of the NTP server to be used.

Note

When “On” is selected indicating a NTP server is to be used, the system date and time are set according to the time information sent from the NTP server.

5 Make settings for “Display.”

You can make the following settings:

Resolution: Set the screen resolution to be used.

Orientation: You can select one from among “Landscape”, “Portrait Left rot.” or “Portrait Right rot.” based on the orientation of the plasma display.

Notes

- When “Portrait Left rot.” or “Portrait Right rot.” is selected, the resolution and layout of the material are restricted.

- The VIDEO OUT connector located on the rear panel of the unit is activated only when “Composite” is selected from “Resolution,” and “Landscape” is selected from “Orientation.” The images output from this connector will not be displayed correctly except with the settings described above.
- When “Composite” is selected from “Resolution,” images will not be displayed correctly on a plasma display or video monitor connected to the [□] (analog RGB OUT) connector.

6 Select the video input/output signal format.

Select either “NTSC” or “PAL” from “Video”.

7 Enter the name of this NSP-1

The name set here is used for entries made in the log. This is useful when multiple NPS-1s are managed.

8 Click the “Send” button.

The settings made on this page are sent to the NSP-1. To resume the setup operation, go to another page without carrying out step 9.

9 Click the “Reboot” button.

This unit is turned off and turned on again. Settings made are then valid.

To verify the information related to this unit

You can verify the software and hardware version of the unit on the System Settings page.

User Setup

This page allows you to make settings for creating play logs and for the recovery mode of the hard disk.

Opening the User Settings page

Click the “User Settings” button.
The User Settings page opens.

Making user settings**1** Select the recovery mode from the “Recovery Mode” column.

You can select the mode to be used when a transmission error occurs during scheduled playback, for example, when there is no material registered in the schedule.

To display nothing: Select “No Contents” from “Recovery Mode”.

To display material played just before an error occurred: Select “Previous Contents” from “Recovery Mode”.

To display specified material: Select “Specified Contents” from “Recovery Mode”. When “Specified Contents” is selected, enter the index number of the materials in the “Index” box.

2 Make settings for the play log.

You can select whether or not play logs sent from this unit are saved.

To save play logs: Select “On” from “Play log Setting”.

To discard play logs: Select “Off” from “Play log Setting.”

To specify the number of play logs to be saved

Enter the number of play logs to be saved in the “The Number of log records” box. You can specify up to 20,000.

3 Set the start time for the hard disk sleep.

To maintain the functions of the hard disk of this unit, this unit allows the hard disk to sleep for about five minutes once a day.

Set the start time of this sleep period (hour/minute) in the “Break time from” boxes.

Note

For safe operation of the system, this unit carries out a maintenance process, turns off once and then on again automatically once a day. Thus, it cannot play materials nor receive files during these minutes of sleeping. It is recommended that you set the time for a time of day when the schedule is affected as little as possible. 00:00 a.m. is the default time. Change the time as required.

4 Make settings for the screen saver.

To use the screen saver function: Select “On” from “Screen Saver”.

To not use the screen saver function: Select “Off” from “Screen Saver”.

5 Make settings for automatic deletion of materials.

By setting a time for automatic deletion when materials are registered, materials are automatically deleted at the specified period.

To activate the automatic delete function: Select “On” from “Auto Delete”.

To not activate the delete function: Select “Off” from “Auto Delete”.

6 Make settings for serial communication on the “Serial Communication” column.

Make settings for serial communication to control external devices such as PDP.

Use for scheduled playback: Select whether or not the |○|○| (SERIAL) connector located on the rear panel of the unit is used. Select “yes” to control external devices using the firmware normally installed in the unit at the factory. Usually use the unit with “yes” selected. Select “no” to interface between the unit and external devices using the RS-232C application software installed in the unit created by a third party.

Communication speed: Select the communication speed from the “Speed (bps)” drop down list box.

Parity: Select the communication parity from “Parity” drop down list box.

Time out: Set the time out for response from devices. Maximum length is 15 seconds.

7 Select the font and font size (pixels) to be used on the Web screen which is played by the unit.

8 Click the “Send” button.

The settings carried out on this page are sent to the NSP-1.

To resume the setup process, go to another page without carrying out step 8.

9 Click the “Reboot” button.

This unit is turned off and then on again. The settings made are now valid.

Making Account Settings

To access the Web page of the NSP-1, it is necessary to enter a user name and password. The Account Settings page allows you to change the passwords. Users cannot access this page without proper authorization.

Note

Be sure to change the passwords.

The number of characters that can be entered to make up a password is between 6 and 14 characters.

You can use alphabetical and numeric characters excluding *, [,], \, %, /, \$, “, &, and ‘.

Setting/changing the password for the administrator

This is the password for a user who is authorized to make system settings for this unit.

1 Enter the new password in the “Password” text box of the “Admin Account” column.

2 Enter the same password as the one entered in step 1.

3 Click the “Send” button.

The password for the Admin Account is changed.

Setting/changing a password for a public user account

This is the password for a user who accesses this unit from the application software.

This user is allowed to open the status page.

1 Enter the new password in the “Password” text box of the “Public Account” column.

2 Enter the same password as the one entered in step 1.

3 Click the “Send” button.

The password for the Public Account is changed.

Setting/changing a password for status user account

This is the password for a user who is allowed only to access the status page.

1 Enter the new password in the “Password” text box of the “Status User Account” column.

2 Enter the same password as the one entered in step 1.

3 Click the “Send” button.

The password for the Status User Account is changed.

Setting/changing a password for the root account

This is the password to be used for performing maintenance or making special settings such as creating new application software. It is recommended that you change the password for the root account when a security problem may be a problem because the network is connected to public networks, etc.

1 Enter the new password in the “Password” text box of the “Root Account” column.

2 Enter the same password as the one entered in step 1 in the “Confirmation” text box.

3 Click the “Send” button.

The password for the Root Account is changed.

When All of the Settings for All of Pages Are Completed

Click the “Reboot” button on the last page where you made the settings.

This unit is turned off and then is turned on again.

Settings made on each page are now valid.

Note

When the Account Settings page is the last page where you made settings, open a different page and click the “Reboot” button on that page.

Confirming the Status of this Unit

The Status page allows you to confirm the following information about the unit.

About NSP-1: Model Name, Serial No., and the capacity of the Hard disk are displayed.

Current status of the NSP-1: Temperatures of the unit, fan, and hard disk are displayed. When an error occurs, the error number is displayed.

Calendar: Displays one month of the calendar.

When you click the “Update” button after changing the year and month using the drop down boxes, the display of the calendar is changed to the specified month.

By clicking the day for which you want to see the play log on the calendar, the playout log of the selected day is displayed under the calendar. In the playout log, error numbers are displayed, if errors have occurred.

To know detailed information on the error, click “Playout Log Error No. list.” Playout Log Error No. list appears.

Installing the BZNP-D1LE

The BZNP-D1LE Network Player Management Software is saved on the hard disk of this unit. By installing the BZNP-D1LE on the computer, you can manage materials data, create playlists, playback schedules, and so on.

Proceed as follows to install the BZNP-D1LE software on the computer.

- 1 Click the “Download” button.

The Download page opens.

- 2 Click “Download” from “BZNP-D1LE.”

A dialog box asking if you want to install the BZNP-D1LE software or save it appears.

- 3 Click the “Run” button.

Installation starts. Follow the on-screen messages to guide you through the installation process.

Downloading Sample Material

Sample material which can be played back using this unit is saved on the hard disk of this unit.

You can use this sample material to create a playback program using the BZNP-D1 software and this downloaded sample material.

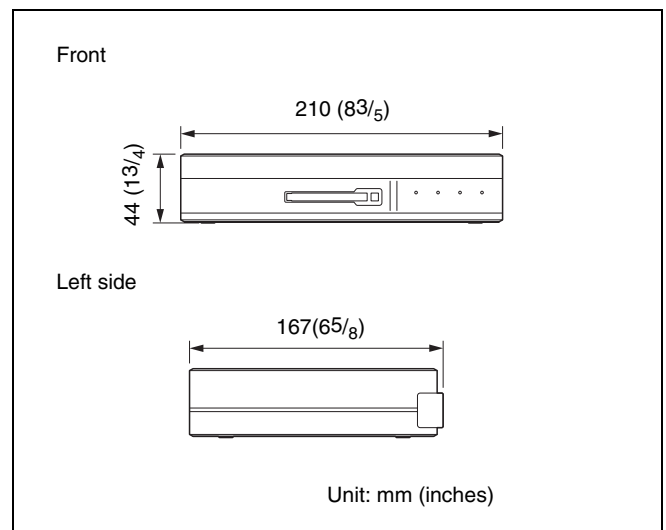
- 1 Click the “Download” button.
The Download page opens.
- 2 Click “Download” from “Sample Contents.”
You are asked where this sample material is saved.
- 3 Specify the folder and click the “OK” button.
Downloading begins.

Others

Specifications

General

- Power supply
13.5 VDC provided from the AC adaptor
- Power consumption
Approx. 45 W
- Operating temperature
5°C to 40°C (41°F to 104°F)
- Storage temperature
-20°C to +55°C (-4°F to +131°F)
- Mass
Approx. 1.5 kg (3 lb 6 oz)
- External dimensions
210 x 44 x 167 mm
(8³/₅ × 1³/₄ × 6⁵/₈ inches) excluding projecting parts and controls
- Hard disk capacity
40 GB



File formats 1)

Video compression format

MPEG-2 MP@ML PS

Graphic formats

Bitmap, JPEG, Macromedia FLASH, HTML

Audio compression formats

WAV, MP3

Video signal formats

NTSC/PAL

- 1) Some files cannot be played back.

Input/output connectors

Video input/output

Analog RGB OUT

HD D-sub 15-pin (female) (1)
Switchable among VGA (640 × 480), SVGA (800 × 600), XGA (1024 × 768) and WVGA (848 × 480)

VIDEO IN

Pin jack (1), composite signal, 1 Vp-p, input impedance 75 Ω, unbalanced, sync negative

VIDEO OUT

Pin jack (1), composite signal, 1 Vp-p, load impedance 75 Ω, unbalanced, sync negative.

Audio inputs/outputs

AUDIO IN

Pin jacks (2), input impedance 6.8 kΩ or more, unbalanced

AUDIO OUT

Pin jacks (2), load impedance 10 kΩ or more, unbalanced

Network

100BASE-TX/10BASE-T

RJ-45 type (1)

Others

PC card slot (1)

PCMCIA Type II

SERIAL D-sub 9-pin (male) (1)

GPI D-sub 25-pin (female) (1)

USB 3) USB 1.1 (2)

2) Currently, the USB hubs are not used. They are reserved for future use.

Supplied accessories

AC adaptor (1)

AC cable (1)

Stand (1)

Metal cable retainer (1)

Screw (1)

Operation Guide (1)

Limited Warranty (1)

Operating Instructions and BZNP-D1 Network Player Management Software are included on the hard disk of the unit.

Design and specifications are subject to change without notice.

Time Difference World Map

Refer to this map when you set the time zone on the System Settings page.



Sony Corporation

<http://www.sony.net/>

Free Manuals Download Website

<http://myh66.com>

<http://usermanuals.us>

<http://www.somanuals.com>

<http://www.4manuals.cc>

<http://www.manual-lib.com>

<http://www.404manual.com>

<http://www.luxmanual.com>

<http://aubethermostatmanual.com>

Golf course search by state

<http://golfingnear.com>

Email search by domain

<http://emailbydomain.com>

Auto manuals search

<http://auto.somanuals.com>

TV manuals search

<http://tv.somanuals.com>