

UHF Synthesized Wireless Microphone

Operating Instructions _____ **US**

Manual de instrucciones _____ **ES**

Mode d'emploi _____ **FR**

Wireless Channel Lists _____

Listas de canales inalámbricos

Listes des canaux sans fil

WRT-807A

Owner's Record

The model and serial numbers are located at the rear of the unit. Record the serial number in the space provided below. Refer to these numbers whenever you call upon your Sony dealer regarding this product.

Model No. WRT-807A **Serial No.** _____

Notice for customers in the U.S.A.

Use of Sony wireless devices is regulated by the Federal Communications Commission as described in Part 74 subpart H of the FCC regulations and users authorized thereby are required to obtain an appropriate license.

You are cautioned that any changes or modifications not expressly approved in this manual could void your authority to operate this equipment.

Notice for customers in Canada:

Use of Sony wireless devices is regulated by the Industry Canada as described in their Radio Standard Specification RSS-123.

A licence is normally required. The local district office of Industry Canada should therefore be contacted. When the operation of the device is within the broadcast band, the licence is issued on no-interference, no-protection basis with respect to broadcast signals.

Operation of this device is subject to the following two conditions: (1) this device may not cause interference, and (2) this device must accept any interference, including interference that may cause undesired operation of the device.

Avis pour les clients au Canada:

L'usage des appareils sans-fil Sony est réglé par l'Industrie Canada comme décrit dans leur Cahier des Normes Radioélectriques CNR-123.

Une licence est normalement requise. Le bureau de l'Industrie Canada doit être contacté. Lorsque l'opération de l'appareil est dans les limites de la bande de radiodiffusion, la licence est émanée sur la base de non-interférence, non-protection avec les signaux de radiodiffusion.

L'utilisation de cet appareil est soumise aux deux conditions suivantes : (1) cet appareil ne peut causer d'interférences, et (2) cet appareil doit accepter toutes les interférences, y compris les interférences capables de provoquer un fonctionnement indésirable de l'appareil.

Precautions	1
Introduction	2
Features	2
Parts Identification	4
Power Supply	7
Settings	8
Initiating Setting Mode	8
Changing the Transmitting Channel	8
Changing the Input Attenuation Setting	10
Resetting the Accumulated Battery Use Time Indication	11
Troubleshooting	12
Specifications	14
Error Messages	15

- The unit is designed for use in ambient temperature range of 0°C to 50°C (32°F to 122°F).
- Do not place the unit on or near heat sources, such as lighting equipment, power amplifiers, or in a place subject to direct sunlight or excessive moisture. In such places, the external finish or internal parts of the unit may be damaged.
- If the unit is used in a very humid or dusty place or in a place subject to an active gas, clean its surface as well as the connectors with a dry, soft cloth soon after use. Lengthy use of the unit in such places or not cleaning it after its use in such places may shorten its life.
- When cleaning the unit, never use organic solvents such as thinners or benzine, which will damage the finish of the unit.
- The unit has been factory adjusted precisely. Do not tamper with its internal parts or attempt to repair it.
- Do not attempt to recharge an alkaline battery.
- Do not dispose of a battery in fire. Do not disassemble or short-circuit a battery.
- Make sure to use an LR6 (size-AA) alkaline battery.
- Make sure the poles of the battery match the + and – markings in the battery holder.
- Remove the battery when the unit will not be used for a long period of time.

Introduction

The WRT-807A is a UHF-synthesized wireless microphone for use in a 800-MHz band UHF-synthesized wireless microphone system.

The WRT-807A operates in conjunction with the WRR-800A/801A/802A/805A, MB-806A UHF Synthesized Tuner for vocal concentration.

The WRT-807A can be also used with existing Sony wireless microphone systems consisting of the WRT-810A/820A/822A/830A UHF Synthesized Transmitter and WRR-810A/820A/840A/850A UHF Synthesized Tuner.

The microphone/transmitter and tuners of the wireless microphone system are classified by frequency band. A 12 MHz frequency band (or two consecutive-numbered TV channels, such as 68 and 69 of the U68 model) is assigned to each microphone/transmitter and tuner model. In building up a UHF wireless microphone system, be sure to combine a microphone/transmitter and a tuner having the same TV channel number.

For the selectable wireless channels and frequencies, see “Wireless Channel Lists” on page L-1.

Features

Phase Locked Loop (PLL) synthesized system

The WRT-807A features a refined phase locked loop (PLL) synthesizer circuit.

POWER switch with holding function

The POWER switch can be locked in the ON position to protect against accidental power cut-offs.

Low-battery notification on tuner

When the microphone battery is low, the microphone sends a warning to the WRR-800A/801A/802A/805A/850A, MB-806A in the form of “Battery status information.”

This information is sent to the WRR-800A/801A/802A/805A/850A, MB-806A about one hour before the battery goes dead to allow the battery to be safely replaced.

When the WRR-800A/801A/802A/805A/850A, MB-806A receives this information, the LED and the LCD on tuner panel start to flash.

Powered by readily available battery type

The built-in, high-efficiency DC-DC converter provides about five hours of continuous and stable operation with just a single LR6 (size-AA) alkaline battery.

LCD readout of various information

The microphones LCD shows the current channel number, frequency, input attenuation setting, and residual battery power.

The accumulated battery use time is also indicated (in one-minute increments) to allow precise monitoring of battery use.

Automatic saving of channel and input attenuation settings

All channel and input attenuation settings are automatically saved when the microphone is turned off (and are maintained even when the battery is removed), thus eliminating the need to make the same settings again the next time you use the microphone.

Highly reliable electronic attenuator

Adjustable in a range of 0 dB to 21 dB in 3-dB steps, the built-in input level attenuator reduces signal distortion during the input of excessively strong audio signals.

Tone signal-incorporated RF carrier signal

The microphone transmits an RF carrier signal that incorporates a tone signal to enable any tuner with a tone squelch circuit to pick out only the target audio signal.

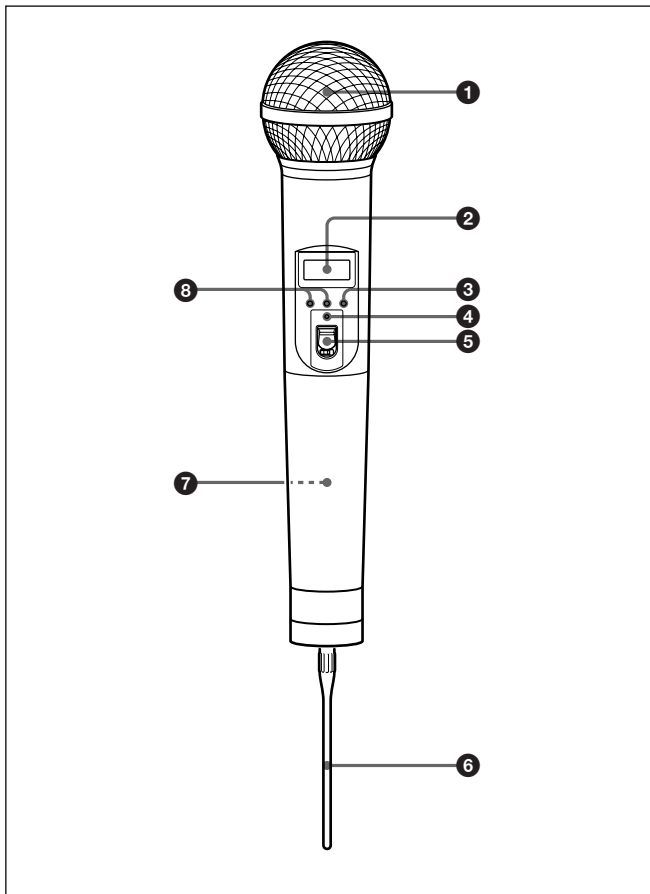
Wide dynamic range and low noise

The microphones compander (compressor/expander) system enables transmission over a wide dynamic range with minimum noise.

Notes on operation

- When operating two or more microphones, keep the microphones separated from each other by a distance of at least 30 cm (1 foot).
- Keep microphones at least 3 meters (10 feet) away from the receiving antenna.

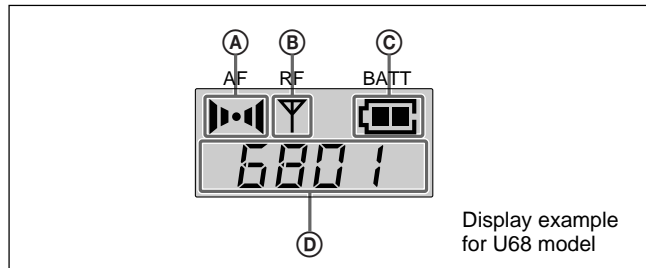
Parts Identification



❶ Wind screen

Protects against noise caused by wind.

❷ Liquid-crystal display



Ⓐ AF (audio input) indication

Lights whenever an audio signal stronger than the reference level is received.

Ⓑ RF (antenna output) indication

Lights during signal transmission from the antenna.

Ⓒ BATT (battery) indication

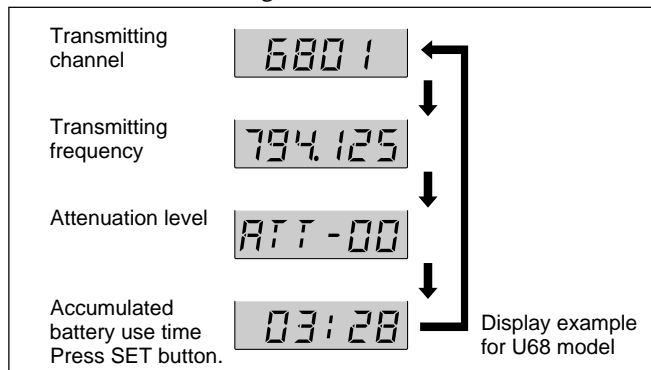
Shows the battery condition.

See "Battery indication" on page 7.

Ⓣ CH (channel) indication

Displays the transmitting channel.

Each time you press the SET button in Transmit mode, the channel indication changes as follows.



Transmitting channel: The current transmitting channel setting.

Transmitting frequency: The current transmitting frequency setting.

Attenuation: The input attenuation setting in decibels. Can be set within a range of 0 dB to 21 dB in 3-dB steps.

Accumulated battery use time: The accumulated time of battery use (in 1-minute increments).

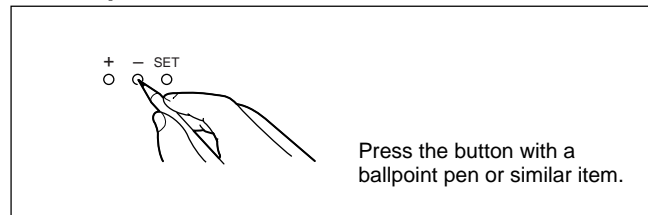
To adjust these parameters, see “Changing the Transmitting Channel” on page 5, “Changing the Input Attenuation Setting” on page 10 or “Resetting the Accumulated Battery Use Time Indication” on page 11.

③ SET button

In Transmit mode, press this button to change the indicated items in the lower half of the liquid-crystal display.

To change to Setting mode, turn the POWER switch to ON while holding this button down. Then press this button to select the items to be indicated.

How to press the SET and +/- buttons



For details on Setting mode, see “Settings” on page 8.

Parts Identification

4 POWER indicator

Lights when the microphone is on.

5 POWER switch

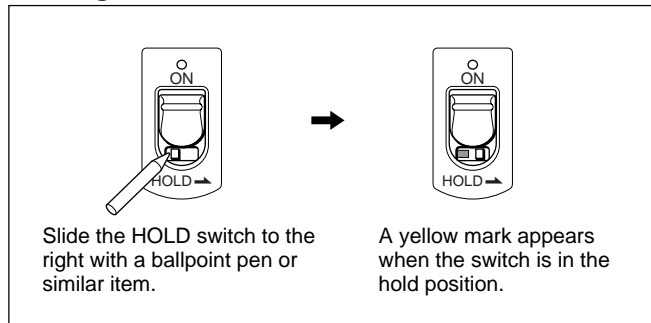
Turns the microphone ON or OFF.

When you set this switch to ON without holding down any other button, the microphone enters Transmit mode, and the signal of the selected channel is transmitted.

The HOLD switch appears when the POWER switch is set to ON.

Set the HOLD switch to the lock position to prevent an accidental power cut-off during microphone operation.

Locking the POWER switch



6 Antenna

7 Battery holder

Insert the battery here.

For details on inserting the battery, see “Power Supply” on page 7.

8 + (+ selection) / – (– selection/reset) buttons

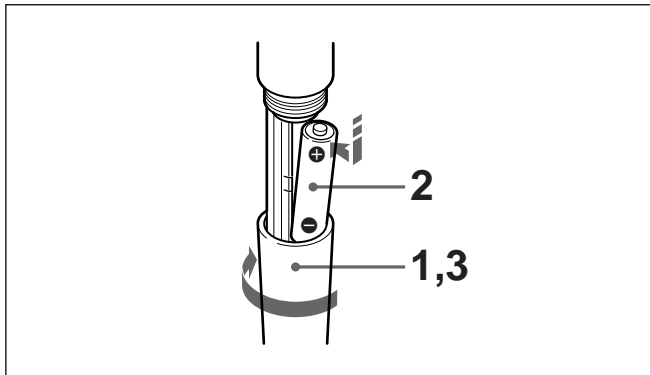
In Setting mode, use these buttons to select the transmitting channel and attenuation level, and use the – button to reset the accumulated battery use time indication to 00:00.

For details on Setting mode, see “Settings” on page 8.

Power Supply

The microphone can operate on one LR6 (size AA) alkaline battery continuously for about 5 hours at 25 °C (77°F).




Inserting the battery



- 1** Turn the grip in the direction of the arrow to open the battery holder.
- 2** Match the battery to the polarity markings and insert it into the battery holder.
- 3** Close the battery holder and lock the grip by turning it in the opposite direction of the arrow.

Battery indication

When you turn the power on, the battery condition is indicated by the BATT indication in the liquid-crystal display.

	1	2	3	4
BATT indication	Lights 	Lights 	Flashes 	Goes off
Battery condition	Good	Less than half-charge	Almost exhausted	Completely exhausted

Note

The indication may be incorrect if the battery was not new when inserted. If you plan to use the microphone for a long period, replace the battery with a new one.

Settings

Initiating Setting Mode

Enter Setting mode to change the transmitting channel, the transmitting frequency and the attenuation level, or to reset the accumulated battery use time indication.

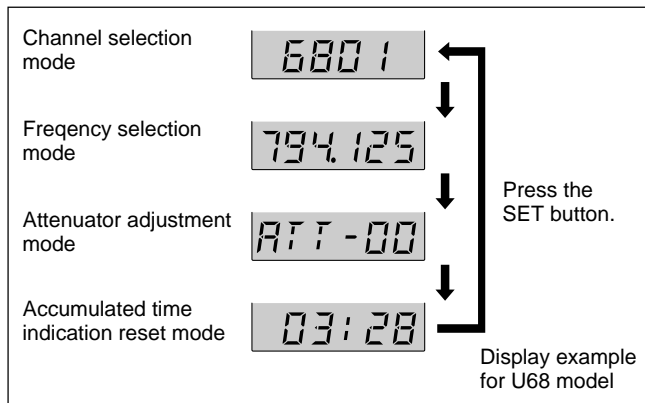
To enter Setting mode

While holding down the SET button, turn the POWER switch to ON.

Hold the SET button down until an indication appears on the liquid-crystal display.

The microphone enters Setting mode and the indication before the microphone was previously turned OFF flashes on the liquid-crystal display.

Pressing the SET button cycles the modes in the order of Channel selection mode, Frequency selection mode (page 8), Attenuator adjustment mode (page 10) and Accumulated time indication reset mode (see page 11).

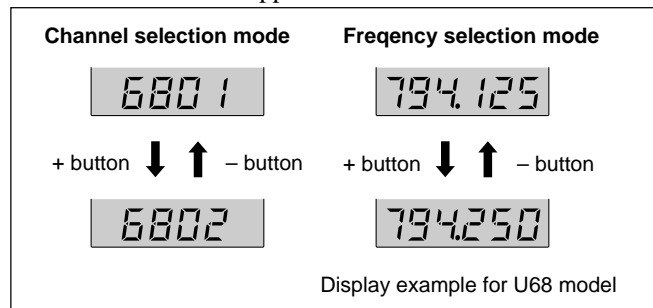


Changing the Transmitting Channel

The transmitting channel can be selected through either the channel number or the frequency.

- 1 Set the microphone to Setting mode.
If the channel number (or frequency) indication does not appear, press the SET button until the channel number (or frequency) indication appears.

- 2** Press the + or – button to select the channel number (or frequency).
- Pressing the + button cycles the indication in the order shown in the tables in Overview of “Wireless Channel Lists” on page L-1. Pressing the – button cycles the indications in the opposite direction.



Hold down the button to change the channel number (or frequency) quickly.

- 3** When the desired channel number (or frequency) appears, turn the POWER switch to OFF to release Setting mode, or press the SET button to continue operations in Setting mode.

The next time you turn on the microphone (by turning the POWER switch to ON), the microphone will enter Transmit mode with the selected channel number (or frequency).

Notes

- The microphone cannot transmit in Setting mode.
- Make sure that the channel selected on the microphone is the same as that selected on the tuner being used in the same system.
- Depending on the noise or interference conditions, all selectable channels may not be usable. If necessary, you can determine which channels are usable by cycling the channel selection through a number of channels on the tuner with the microphone set to OFF. Those channels for which the RF indicator on the tuner does not light are usable.
- The microphone may not operate correctly if it is turned on immediately after being turned off in Setting mode. Wait for a few seconds before turning the power on again.

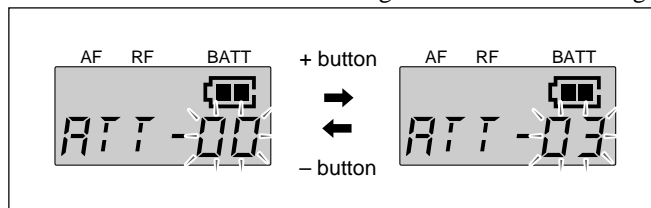
Setting

Changing the Input Attenuation Setting

The input attenuation setting can be changed within a range of 0 dB to 21 dB (in 3-dB steps) in either Setting mode or Transmit mode.

Changing the input attenuation in Setting mode

- 1 Set the microphone to Setting mode.
- 2 If the attenuation level is not displayed, press the SET button until it appears.
- 3 Press the + or – button to change the attenuation setting.



Hold down the button to change the level quickly.

- 4 Once the desired level appears, turn the POWER switch to OFF to release Setting mode, or press the SET button to continue operations in Setting mode.

The next time you turn on the microphone (by turning the POWER switch to ON), the microphone enters Transmit mode with the selected attenuation setting.

Changing the input attenuation in Transmit mode

You can also change the input attenuation setting while transmitting in Transmit mode.

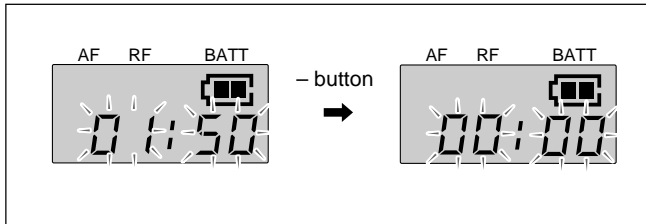
- 1 If the attenuation level is not displayed, press the SET button until it appears.
- 2 Press the + or – button to change the attenuation setting.

Resetting the Accumulated Battery Use Time Indication

The accumulated battery use time is the total time (in hours and minutes) the battery has been used. It is recorded whenever the WRT-807A is on.

Reset the indication to 00:00 whenever you replace the battery.

- 1 Set the microphone to Setting mode.
- 2 If the accumulated battery use time is not displayed, press the SET button until it appears.
- 3 Press the – button.
The indication resets to 00:00.



Press the + button while the 00:00 indication is on to go back to previous value.

- 4 Turn the POWER switch to OFF to release Setting mode.

Troubleshooting

If you have any problem using this unit, use the following checklist. Should any problem persist, consult your Sony dealer.

Symptom	Meaning/Remedy
The microphone does not turn on.	<ul style="list-style-type: none">• The + and – poles of the battery do not match those of the battery compartment. ➔ Insert the battery with the poles correctly matched.• The battery is exhausted. ➔ Replace the battery with new one.• The battery terminals in the microphone are dirty. ➔ Clean the + and – terminals with a cotton swab.
The battery runs down quickly.	<ul style="list-style-type: none">• The battery is exhausted. ➔ Replace the battery with new one.• A manganese battery is being used. ➔ Use an alkaline battery. The battery life of a manganese battery is less than half that of an alkaline battery.• The microphone is being used under cold conditions. ➔ The battery runs down quickly under cold conditions.
The microphone cannot be turned off.	The HOLD switch is in locked position. ➔ Change the HOLD switch to the unlocked position.
The channel cannot be changed.	An attempt was made to change the channel by pressing the SET button only. ➔ Turn the microphone off, then turn the microphone on again while holding down the SET button. Then change the channel with the + and – buttons.
There is no sound.	<ul style="list-style-type: none">• The indication on the LCD is flashing. ➔ The microphone is in channel setting mode. Turn the power off, then on again.• The channel setting on the microphone is different from that on the tuner. ➔ Use the same channel setting for both the microphone and tuner.• The AF or RF indicator does not turn on. ➔ Confirm that the microphone and tuner are both turned on.

Symptom	Meaning/Remedy
The sound is weak.	<ul style="list-style-type: none"> • The attenuation level setting is too high. ➔ The output level is low. Press the – button in attenuation level setting mode to lower the attenuation level. • The volume on the amplifier, mixer or tuner is low. ➔ Adjust the volume.
There is distortion in the sound.	<p>The attenuation level setting is too low. ➔ The input level is extremely high. Press the + button in attenuation level setting mode to raise the attenuation level.</p>
There is sound interruption or noise.	<ul style="list-style-type: none"> • The receiver's antenna is incorrectly connected. ➔ Connect the antenna correctly according to the operation manual of the tuner or antenna divider. • The antenna divider is turned off. ➔ Turn the antenna divider on. It is possible for the tuner to receive signals even when the antenna divider is turned off, but sound interruption or noise may occur. • The RF indicator lights even when the microphone is off. ➔ Jammed transmissions are being received. Determine which channels are usable (i.e., channels for which the RF indicator on the tuner does not light) and set the tuner and microphone to the same usable channel. • Two or more microphones are set to the same channel. ➔ Make sure no two microphones are set to the same channel. Set each microphone to a different channel.

Specifications

Transmitter and modulator section

Oscillator	Crystal controlled PLL synthesizer
Type of emission	F3E
Carrier frequencies	
U64 model:	770.125 to 781.875 MHz (TV channels 64 and 65)
U66 model:	782.125 to 793.875 MHz (TV channels 66 and 67)
U68 model:	794.125 to 805.875 MHz (TV channels 68 and 69)
RF power output	10 mW (50-ohm load)
Tone signal	32.768 kHz
Battery condition signal	32.782 kHz
Type of antenna	1/4 -wavelength wire

Audio section

Microphone type	uni-directional dynamic microphone
Pre-emphasis	50 μ s
Deviation	± 5 kHz (94 dB _{SPL} ¹⁾ , 1 kHz input)
Frequency response	50 to 15,000 Hz
Signal-to-noise ratio	57 dB or more (A-weighted, modulation frequency 1 kHz, with ± 5 kHz deviation at WRR-800A/801A)
Audio attenuator	0 to 21 dB, variable in 3-dB steps
Input level	151 dB _{SPL} (at audio attenuator 21 dB)

1) 0 dB_{SPL} = 2×10^{-5} Pa

Power section

Power requirements	1.5 V DC (one LR6/size AA alkaline battery)
Battery life	Approx. 5 hours at 25°C or 77°F, with Sony LR6 alkaline battery

General

Operating temperature	0°C to +50°C (32°F to 122°F)
Storage temperature	-30°C to +60°C (-22°F to +140°F)
Dimensions	51 × 238 mm (diameter/length) not including antenna (2-1/8 × 9-3/8 inches)
Mass	Approx. 440 g (15.5 oz) including battery

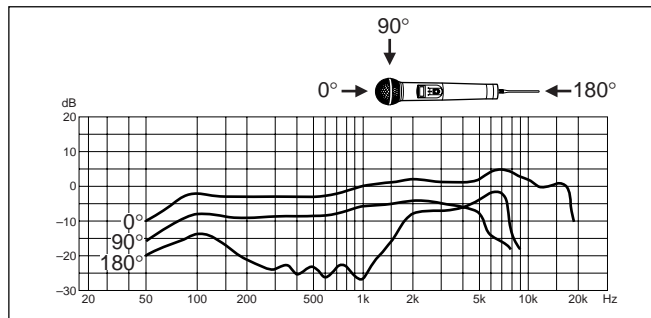
Supplied accessory

Operating Instructions (1)
Microphone holder (1)
Screw adaptor PF 1/2 to NS 5/8 (1)

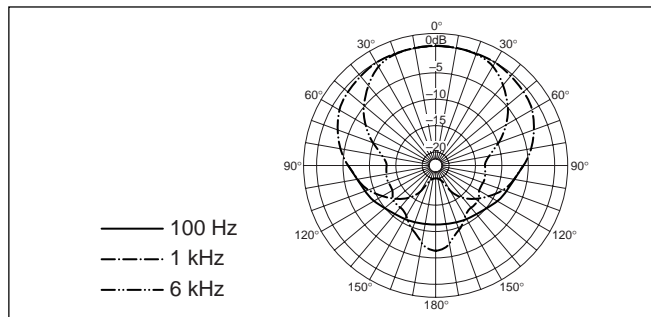
Design and specifications are subject to change without notice.

Error Messages

Standard frequency response



Standard directivity response



When a problem occurs, one of the following error messages may appear on the display.

Message	Contents	Measures
Error 11	An error occurred in backup memory data.	The data was initialized. Set the transmitting channel and the input attenuation again.
Error 21	The PLL synthesized circuit is in trouble.	Contact your Sony dealer.
Error 31	The battery voltage exceeds the allowable value.	Use the specified battery.
Error 41	Defect of an internal circuit.	Contact your Sony dealer.
Error 51	Defect of the A/D converter circuit.	
Error 61	Defect of an internal circuit.	

Precauciones	1
Introducción	2
Características	2
Identificación de piezas	4
Fuente de alimentación	7
Ajustes	8
Activación del modo de ajuste	8
Cambio del canal de transmisión	8
Cambio del ajuste de atenuación de entrada ...	10
Reposición de la indicación de tiempo de uso acumulado de la pila	11
Localización de averías	12
Especificaciones	14
Mensajes de error	15

- La unidad ha sido diseñada para emplearse dentro de un entorno de temperaturas ambientes de 0°C a 50°C (32°F a 122°F).
- No coloque la unidad en o cerca de fuentes de calor tales como lámparas amplificadores de potencia o en un lugar expuesto a los rayos del sol o humedad excesivo. Estos lugares pueden afectar la terminación exterior o las piezas en el interior de la unidad.
- Si se utiliza la unidad en lugares muy húmedos o con mucho polvo o si se coloca en un lugar expuesto al gas, limpie bien su superficie y los conectores con un paño seco y suave, después del uso. Un uso prolongado de la unidad en dichos lugares o si no la limpia después de utilizarla en tales lugares, puede acortar su longevidad.
- Cuando limpie la unidad no utilice solventes orgánicos tales como diluyentes o bencina que puedan dañar el acabado e la unidad.
- La unidad ha sido ajustada precisamente en fábrica. No debe tocar o tratar de reparar sus piezas interiores.
- No trate de recargar una pila alcalina.
- No eche una pila al fuego. No desarme o cortocircuite los polos de una pila.
- Utilice siempre una pila alcalina LR6 (tamaño AA).
- Confirme que los polos de la pila coinciden con las marcas + y – del portapila.
- Saque la pila si no va a utilizar la unidad durante un largo período de tiempo.

Introducción

El WRT-807A es un micrófono inalámbrico con sintetización UHF para utilizar en la banda de 800 MHz para sistemas de micrófono inalámbrico con sintetización UHF.

El WRT-807A se utiliza en combinación con el sintonizador de sintetización UHF WRR-800A/801A/802A/805A, MB-806A para concentrar la voz.

El WRT-807A también puede utilizarse con los sistemas de micrófono inalámbricos de Sony compuestos por el transmisor sintetizado de UHF WRT-810A/820A/822A/830A y el sintonizador sintetizado de UHF WRR-810A/820A/840A/850A.

El micrófono/transmisor y los sintonizadores del sistema de micrófono inalámbrico están clasificados por banda de frecuencia.

Se asigna una banda de frecuencia de 12 MHz (o dos canales de televisión de número consecutivo como el 68 y 69 del modelo U68) para cada modelo de micrófono/transmisor y sintonizador que posean el mismo número de canal de TV.

Cuando se diseña un sistema de micrófonos inalámbricos UHF, asegúrese de combinar un micrófono/transmisor con un sintonizador que tenga el mismo número de canal de TV.

Con respecto a los canales inalámbricos y las frecuencias seleccionables, consulte las "Listas de canales inalámbricos" de la página L-1.

Características

Sistema de sintonización con bucle de fase cerrado (PLL)

El WRT-807A tiene un refinado circuito con sintetización de bucle de fase cerrado (PLL).

Interruptor principal POWER con función de retención

El interruptor POWER puede bloquearse en la posición ON para protegerlo contra cortes eléctricos accidentales.

Aviso de poca carga de la pila en el sintonizador

Cuando la pila en el micrófono tiene poca carga, el micrófono envía una advertencia al WRR-800A/801A/802A/805A/850A, MB-806A como "Información sobre el estado de la pila".

Esta información se envía al WRR-800A/801A/802A/805A/850A, MB-806A aproximadamente una hora antes de agotarse la pila para darle tiempo para cambiar la pila. Cuando el WRR-800A/801A/802A/805A/850A, MB-806A reciben esta información, el LED y LCD en el panel del sintonizador empiezan a parpadear.

Alimentación eléctrica con pilas de gran difusión

El convertidor de CC-CC de gran eficacia incorporado permite la operación estable durante cinco horas continuas, con una sola pila alcalina LR6 (tamaño AA).

Visualización de cristal líquido para variada información

El visualizador de cristal líquido del micrófono mostrará el número del canal actual, la frecuencia, ajuste de atenuación de entrada y carga residual de la pila.

Se indica también el tiempo de uso acumulado de la pila (en incrementos de un minuto) para un control preciso del uso de la pila.

Memorización automática de ajustes de canal y atenuación de entrada

Todos los canales y ajustes de atenuación de entrada se memorizan automáticamente cuando se desconecta el micrófono (y se mantienen aunque se saque la pila), eliminando la necesidad de volver a hacer los mismos ajustes de nuevo cuando vuelva a utilizar el micrófono.

Atenuador electrónico de gran fiabilidad

El atenuador de nivel de entrada incorporado podrá ajustarse dentro de un margen de 0 dB a 21 dB en pasos de 3 dB, reduciendo la distorsión de la señal cuando se recibe una señal de entrada de gran intensidad.

Señal de portadora de RF con señal de tono incorporada

El micrófono transmite una señal de portadora de RF que incorpora una señal de tono para permitir que cualquier sintonizador con un circuito silenciador de tono pueda recibir solamente la señal de audio pretendida.

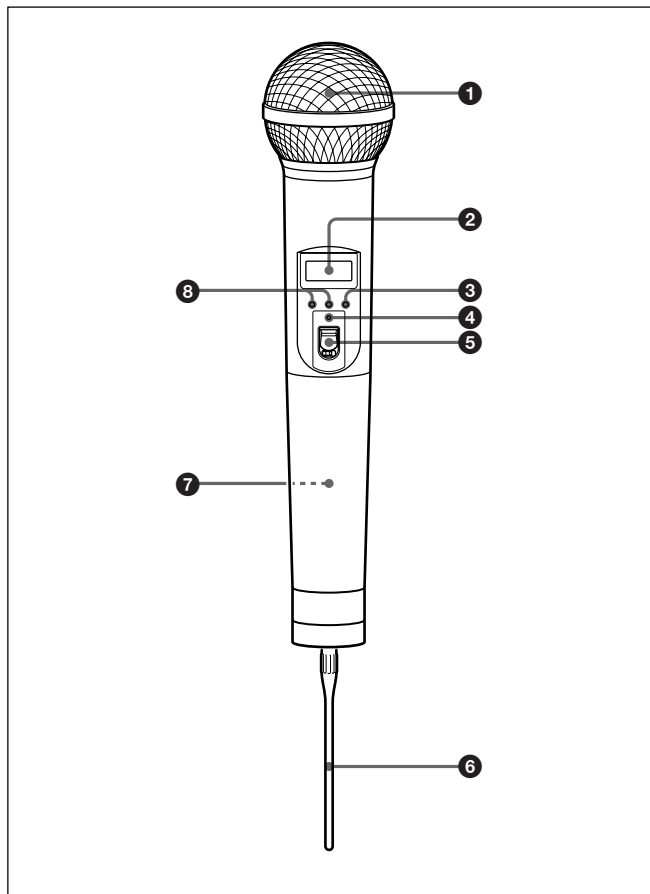
Amplia gama dinámica y bajo ruido

El sistema compansor (compresor/expansor) permite la transmisión en una amplia gama dinámica con el ruido mínimo.

Notas sobre el funcionamiento

- Cuando se utilizan dos o más micrófono mantenga los micrófonos separados entre sí en una distancia de por lo menos 30 cm (1 pie).
- Mantenga los micrófonos a por lo menos 3 metros (10 pies) de la antena de recepción.

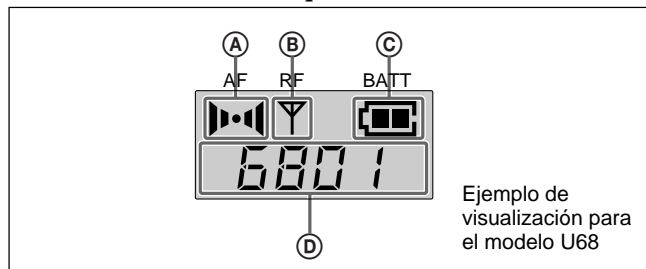
Identificación de piezas



1 Pantalla contra el viento

Protege contra el ruido provocado por el viento.

2 Visualizador de cristal líquido



A Indicación de entrada de audio (AF)

Se enciende cada vez que se recibe una señal de audio más fuerte que el nivel de referencia.

B Indicación de salida de antena (RF)

Se enciende durante la transmisión de una señal a través de la antena.

C Indicación de la pila (BATT)

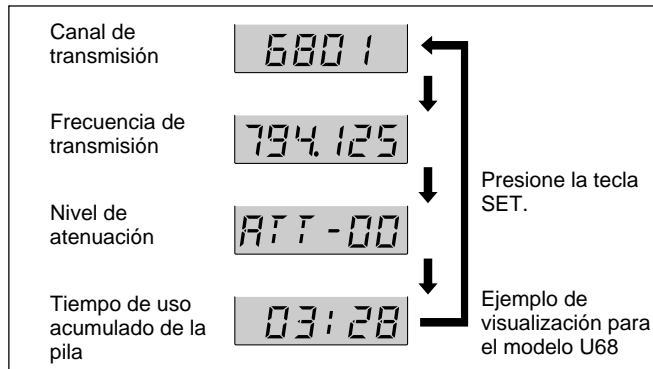
Muestra el estado de la pila

Consulte "Indicación de pila" de la página 7.

ⓐ Indicación de canal (CH)

Muestra el canal de transmisión.

Cada vez que presione la tecla SET en el modo de transmisión, la indicación de canal cambiará de la siguiente forma.



Canal de transmisión: El ajuste actual del canal de transmisión.

Frecuencia de transmisión: El ajuste actual de frecuencia de la transmisión.

Atenuación: El ajuste de atenuación de entrada en decibelios. Puede ajustarse en un entorno de 0 dB a 21 dB en pasos de 3 dB.

Tiempo de uso acumulado de la pila: El tiempo de uso acumulado de la pila (en incrementos de 1 minuto).

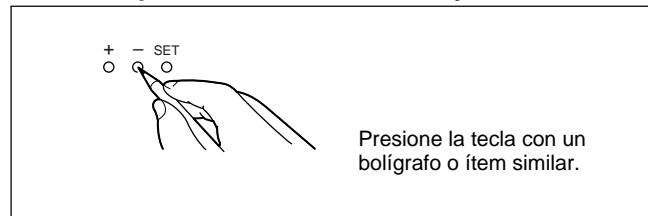
Para ajustar estos parámetros, vea el “Cambio del canal de transmisión” de la página 5, “Cambio del ajuste de atenuación de entrada” de la página 10 o la “Reposición de la indicación de tiempo de uso acumulado de la pila” de la página 11.

ⓑ Tecla de ajuste (SET)

En el modo de transmisión, presione esta tecla para cambiar los ítems de indicación de la mitad inferior del visualizador de cristal líquido.

Para cambiar el modo de ajuste, ponga el interruptor POWER a ON mientras mantiene presionada esta tecla. Presione este botón para seleccionar el ítem que desee que aparezca.

Forma de presionar las teclas SET y +/-



Para más detalles sobre el modo de ajuste, vea los “Ajustes” de la página 8.

Identificación de piezas

4 Indicador POWER

Se enciende cuando se está utilizando el micrófono.

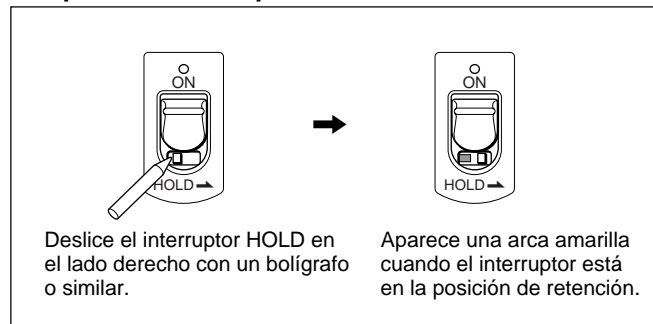
5 Interruptor de alimentación (POWER)

Utilícelo para conectar y desconectar el micrófono. Cuando ponga este interruptor en ON sin mantener presionada ninguna otra tecla, el micrófono pasará al modo de transmisión y se transmitirá la señal del canal seleccionado.

Aparece el interruptor HOLD cuando el interruptor POWER está en ON.

Ajuste el interruptor HOLD a la posición de bloqueo para evitar que se corte accidentalmente la alimentación mientras está utilizando el micrófono.

Bloqueo del interruptor POWER



6 Antena

7 Portapila

Coloque la pila aquí.

Para más detalles sobre la colocación de la pila, consulte la “Fuente de alimentación” de la página 7.

8 Teclas de selección (+)/selección/reposición (-)

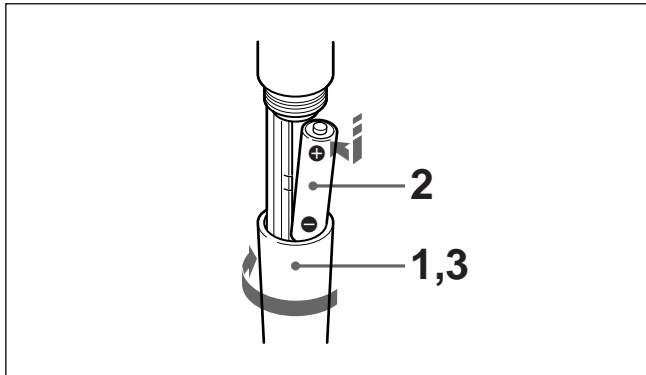
En el modo de ajuste, utilice estas teclas para seleccionar el canal de transmisión y el nivel de atenuación, y utilice la tecla (-) para reponer la indicación de tiempo de uso acumulado de la pila a 00:00.

Para más detalles sobre el modo de ajuste, consulte los “Ajustes” de la página 8.

Fuente de alimentación

El micrófono puede funcionar con una pila alcalina LR6 (tamaño AA) durante unas 5 horas continuas a 25°C (77°F).




Inserción de la pila



- 1** Gire la empuñadura en el sentido de la flecha para abrir el portapila.
- 2** Alinee la pila con las marcas de polaridad y colóquela en el portapila.
- 3** Cierre el portapila y fije la empuñadura girándola en el sentido contrario de la flecha.

Indicación de pila

Cuando conecte la alimentación, en la indicación BATT del visualizador de cristal líquido aparecerá el estado de la pila.

	1	2	3	4
Indicación BATT	Encendida 	Encendida 	Parpadeando 	Apagada
Estado de la pila	Bueno	Menos de la mitad de la carga	Prácticamente agotada	Completamente agotada

Nota

La indicación puede ser incorrecta si la pila insertada no es nueva. Cuando planea utilizar el micrófono durante mucho tiempo, lo mejor será que reemplace la pila por otra nueva.

Activación del modo de ajuste

En el modo de ajuste podrá cambiar el canal de transmisión y el nivel de atenuación o reponer la indicación de tiempo de uso acumulado de la pila.

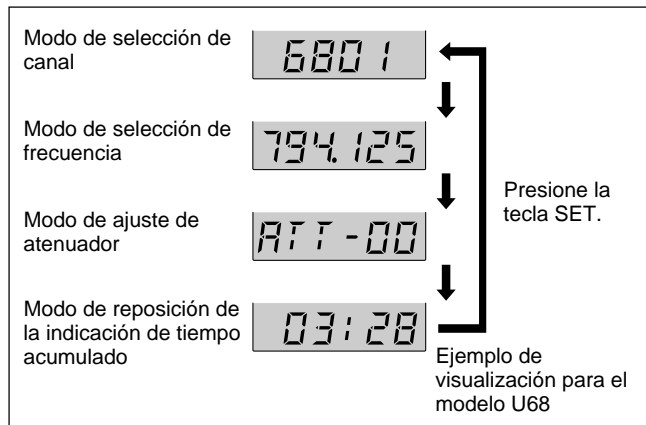
Para entrar en el modo de ajuste

Mantenga presionada la tecla SET y ponga el interruptor POWER en ON.

Mantenga presionada la tecla SET hasta que en el visualizador aparezca una indicación.

El micrófono entrará en el modo de ajuste y en el visualizador de cristal líquido parpadeará la indicación existente al momento de desconectar (OFF) la alimentación del micrófono.

Cada vez que presione la tecla SET, cambiarán cíclicamente el modo de selección de canal, el modo de selección de frecuencia (página 8), el modo de ajuste de atenuación (página 10) y el modo de reposición de la indicación de tiempo acumulado (página 11).

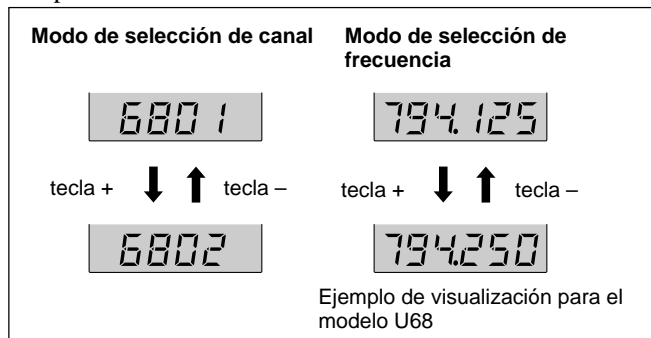


Cambio del canal de transmisión

El canal de transmisión puede seleccionarse tanto por el número de canal como por la frecuencia.

- 1 Ponga el micrófono en el modo de ajuste. Si no se visualiza la indicación de número de canal (o frecuencia), presione la tecla SET hasta que visualice la indicación del número de canal (o la frecuencia).

- 2** Presione la tecla + o – para seleccionar el número de canal (o frecuencia).
Al presionar la tecla + la indicación cambiará cíclicamente en el orden mostrado en la tabla “Lista de canales inalámbricos” de la página L-1. Cada vez que presione la tecla – cambiará en el orden inverso.



Si mantiene presionada cualquiera de las teclas, el número de canal (o la frecuencia) aumentará rápidamente.

- 3** Cuando se visualiza el número de canal (o frecuencia) deseado, ponga el interruptor POWER en OFF para salir del modo de ajuste, o presione la tecla SET para seguir con otras operaciones en el modo de ajuste.

La próxima vez que conecte el micrófono (con el interruptor POWER en ON) el micrófono entrará al modo de transmisión con el número de canal (o frecuencia) seleccionado.

Notas

- El micrófono no podrá transmitir en el modo de ajuste.
- Cerciórese de que el canal seleccionado sea el mismo que el elegido en el sintonizador utilizado en el mismo sistema.
- Dependiendo de las condiciones de ruido de interferencias, es posible que no puedan utilizarse todos los canales seleccionables. Si es necesario podrá determinar los canales utilizables pasando cíclicamente por los números de canal en el sintonizador con el micrófono desconectado (OFF). Los canales en los que el indicador de RF del sintonizador no se encienda serán los que podrán utilizarse.
- Es posible que el micrófono no funcione correctamente si conecta su alimentación inmediatamente después de haberla desconectado estando en el modo de ajuste. Espere algunos segundos antes de volver a conectar la alimentación.

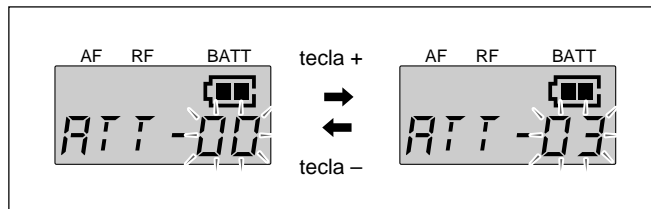
Ajustes

Cambio del ajuste de atenuación de entrada

Se podrá cambiar el ajuste de la atenuación de entrada dentro de un margen de 0 dB a 21 dB (en pasos de 3 dB) en el modo de ajuste o en el modo de transmisión.

Cambio de la atenuación de entrada en el modo de ajuste

- 1 Ponga el micrófono en el modo de ajuste.
- 2 Si no se visualiza el nivel de atenuación, presione la tecla SET hasta que aparezca.
- 3 Presione la tecla + o – para seleccionar el ajuste de atenuación.



Si mantiene presionada cualquiera de las teclas, el nivel cambiará rápidamente.

- 4 Cuando visualice el nivel deseado, ponga el interruptor POWER en OFF para salir el modo de ajuste o presione la tecla SET para continuar las operaciones en el modo de ajuste.

La próxima vez que conecte el micrófono (poniendo el interruptor POWER en ON), el micrófono entrará en el modo de transmisión con el ajuste de atenuación seleccionado.

Cambio de la entrada de atenuación en el modo de transmisión

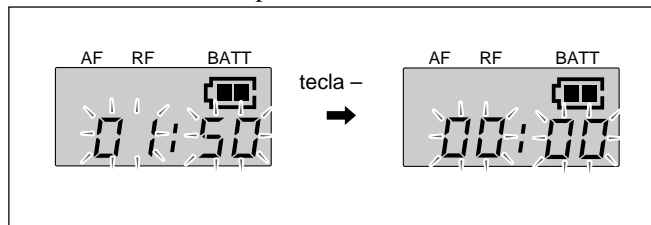
Se puede ajustar la atenuación de entrada mientras transmite en el modo de transmisión.

- 1 Si no se visualiza el nivel de atenuación, presione la tecla SET hasta que aparezca.
- 2 Presione la tecla + o – para seleccionar el ajuste de atenuación.

Reposición de la indicación de tiempo de uso acumulado de la pila

La indicación de tiempo de uso acumulado de la pila es el tiempo total (en horas y minutos) de utilización de la pila. Se registra siempre que el WRT-807A esté conectado. Reponga la indicación a 00:00 cada vez que reemplace la pila.

- 1 Ponga el micrófono en el modo de ajuste.
- 2 Si el tiempo acumulado de utilización no se visualiza, presione la tecla SET hasta que aparezca.
- 3 Presione la tecla -.
La indicación se repone a 00:00.



Mientras esté viendo la indicación "00:00" podrá volver al valor anterior presionando la tecla +.

- 4 Ponga el interruptor POWER en OFF para salir del modo de ajuste.

Localización de averías

Si tiene problemas para el uso de este aparato, recurra a la siguiente lista de comprobación. Si no puede solucionar el problema, consulte con su proveedor de Sony.

Síntoma	Significado/Solución
El micrófono no se conecta.	<ul style="list-style-type: none">• Los polos + y – de la pila no coinciden con los dibujados en el portapila. ➔ Coloque la pila con las polaridades en el sentido correcto.• La pila está gastada. ➔ Cambie la pila por otra nueva.• Los terminales de pila en el micrófono están sucios. ➔ Limpie los terminales + y – con un algodón.
La pila se consume rápidamente.	<ul style="list-style-type: none">• La pila está gastada. ➔ Cambie la pila por otra nueva.• Se está utilizando una pila de manganeso. ➔ Utilice una pila alcalina. La vida de la pila de manganeso es menor a la de la pila alcalina.• Se está utilizando el micrófono en clima frío. ➔ La pila se gasta rápidamente cuando hace frío.
El micrófono no se puede desconectar.	El interruptor HOLD está en la posición de bloqueo. ➔ Cambie el interruptor HOLD a la posición de desbloqueo.
No puede cambiar el canal.	Se ha tratado de cambiar el canal presionando sólo la tecla SET. ➔ Desconecte el micrófono una vez y vuelva a conectar mientras mantiene presionada la tecla SET. Cambie el canal con las teclas + y –.
No hay sonido.	<ul style="list-style-type: none">• La indicación en el visualizador de cristal líquido está parpadeando. ➔ El micrófono está en el modo de ajuste de canal. Desconecte la alimentación y vuelva a conectar.• El ajuste de canal del micrófono es diferente del canal en el sintonizador. ➔ Utilice el mismo ajuste de canal para el micrófono y el sintonizador.• El indicador AF o RF no se conecta. ➔ Confirme que el micrófono y el sintonizador están sintonizados.

Síntoma	Significado/Solución
El sonido se escucha bajo.	<ul style="list-style-type: none"> • El nivel de atenuación está demasiado alto. ➔ El nivel de salida está bajo. Presione la tecla – en el modo de ajuste de nivel de atenuación para bajar el nivel de la atenuación. • El volumen del amplificador, mezclador o sintonizador está bajo. ➔ Ajuste el volumen.
Hay distorsión en el sonido.	<p>El ajuste de nivel de atenuación está demasiado bajo. ➔ El nivel de entrada está muy alto. Presione la tecla + en el modo de ajuste de nivel de atenuación para subir el nivel de atenuación.</p>
Hay cortes en el sonido o ruido.	<ul style="list-style-type: none"> • La antena del receptor está mal conectada. ➔ Conecte correctamente la antena de acuerdo al manual de instrucciones del sintonizador o bifurcador de antena. • El bifurcador de antena está desactivado. ➔ Conecte el bifurcador de antena. Es posible que el sintonizador reciba las señales incluso cuando el bifurcador de antena está desactivado pero se pueden producir cortes del sonido o ruidos. • El indicador de RF se enciende aunque el micrófono esté desconectado. ➔ Se reciben transmisiones de interferencia. Determine los canales que pueden utilizarse (es decir, los canales para los que el indicador de RF en el sintonizador no se enciende) y ajuste el sintonizador y el micrófono al mismo canal utilizable. • Se utilizan dos o más micrófonos en el mismo canal. ➔ Cerciórese de que no hay dos micrófonos en el mismo canal. Ajuste cada micrófono a un canal diferente.

Especificaciones

Sección del transmisor y modulador

Oscilador	Sintonizador de PLL controlado por cristal
Tipo de transmisión	F3E
Frecuencias portadoras	
modelo U64:	770,125 a 781,875 MHz (Canales de TV 64 y 65)
modelo U66:	782,125 a 793,875 MHz (Canales de TV 66 y 67)
modelo U68:	794,125 a 805,875 MHz (Canales de TV 68 y 69)
Salida de potencia de RF	10 mW (carga de 50 ohmios)
Señal de tono	32,768 kHz
Señal de estado de la pila	32,782 kHz
Tipo de antena	Cable de 1/4 de longitud de onda

Sección de audio

Tipo de micrófono	dinámico unidireccional
Preacentuación	50 μ s
Desviación	± 5 kHz (94 dB _{SPL} ¹⁾ , entrada a 1 kHz)
Respuesta de frecuencia	50 a 15.000 Hz
Relación de señal a ruido	57 dB o más (ponderación A, frecuencia de modulación de 1 kHz, con desviación de ± 5 kHz en WRR-800A/801A)
Atenuador de ruido	0 a 21 dB, variable en pasos de 3 dB

Nivel de entrada	151 dB _{SPL} (con atenuador de audio de 21 dB)
------------------	--

Sección de alimentación

Requisitos eléctricos	CC de 1,5 V (una pila alcalina LR6/tamaño AA)
Duración de la pila	Aprox. 5 horas a 25°C o 77°F con pila alcalina LR6 de Sony

Generalidades

Temperatura de funcionamiento	0°C a +50°C (32°F a 122°F)
Temperatura de almacenamiento	-30°C a +60°C (-22°F a +140°F)
Dimensiones	51 × 238 mm (diámetro/ longitud) sin incluir la antena) (2-1/8 × 9-3/8 pulg.)
Peso	Aprox. 440 g (15,5 onzas) incluyendo la pila

Accesorio suministrado

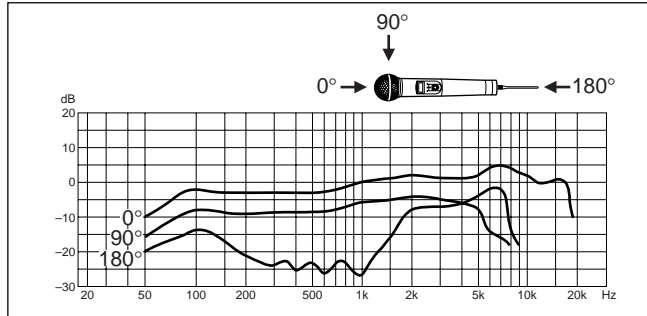
Manual de instrucciones (1)
Soporte de micrófono (1)
Adaptador de tornillo PF 1/2 a NS 5/8 (1)

El diseño y las especificaciones están sujetos a cambios sin previo aviso.

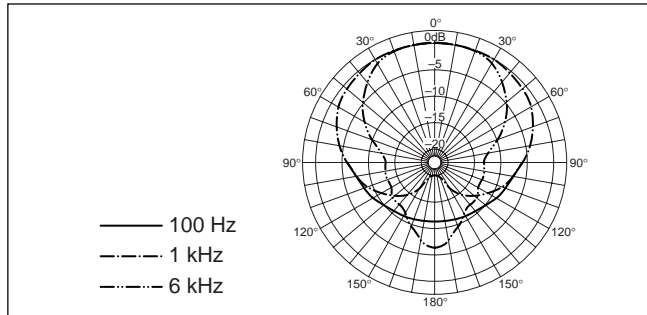
1) 0 dB_{SPL} = 2×10^{-5} Pa

Mensajes de error

Respuesta de frecuencia estándar



Repuesta de directividad estándar



Cuando ocurra un problema, es posible que en el visualizador aparezca uno de los mensajes de error siguientes.

Mensajes	Contenido	Medidas
Error 11	Se ha producido un error en los datos de la memoria de respaldo.	Los datos se han inicializado. Vuelva a ajustar el canal de transmisión y la atenuación de entrada.
Error 21	El circuito sintetizado de bucle de enganche de fase está averiado.	Póngase en contacto con su proveedor Sony.
Error 31	La tensión de la pila sobrepasa el valor permisible.	Utilice la pila especificada.
Error 41	Defecto en un circuito interno.	Póngase en contacto con su proveedor Sony.
Error 51	Defecto en el circuito del convertidor A/D.	
Error 61	Defecto en un circuito interno.	

Précautions	1
Introduction	2
Caractéristiques	2
Identification des pièces	4
Alimentation	7
Réglages	8
Passage au mode de réglage	8
Changement de canal de transmission	8
Modification du réglage d'atténuation d'entrée ..	
.....	10
Remise à zéro de l'indication du temps	
d'utilisation total de la pile	11
Dépannage	12
Spécifications	14
Messages d'erreur	15

- Cet appareil est conçu pour être utilisé à une température ambiante allant de 0 à 50°C (32 à 122°F).
- Ne placez pas cet appareil sur ou près d'une source de chaleur, telle qu'appareil d'éclairage, amplificateur de puissance, ou à un autre endroit en plein soleil ou soumis à une très forte humidité. A de tels endroits, la finition ou des composants internes risqueraient d'être endommagés.
- N'utilisez pas cet appareil à un endroit très humide ou poussiéreux, ou en présence d'un gaz actif. Nettoyez sa surface ainsi que les connecteurs avec un chiffon sec et doux immédiatement après l'utilisation.
L'emploi de longue durée de l'appareil à de tels endroits pourrait réduire sa vie de service.
- N'employez jamais de solvant organique, tel que diluant ou benzène pour nettoyer l'appareil; ces produits pourraient endommager la finition.
- Cet appareil a été précisément ajusté à l'usine. Ne modifiez pas les composants internes et n'essayez pas de le réparer.
- Ne jetez pas les piles au feu. Ne les démontez pas et ne court-circuitez pas.
- Utilisez bien une pile alcaline LR6 (format AA).
- Vérifiez que les pôles de la piles correspondent aux marques + et – dans le logement de la pile.
- Retirez la pile quand l'appareil doit rester inutilisé pendant une période prolongée.

Introduction

Le WRT-807A est un microphone sans fil synthétisée UHF à utiliser dans un système de microphone sans fil synthétisé UHF à bande 800 MHz.

Le WRT-807A fonctionne conjointement avec le syntoniseur synthétisé WRR-800A/801A/802A/805A, MB-806A pour la concentration vocale.

Le WRT-807A peut aussi être utilisé avec les systèmes de microphone sans fil Sony existants comprenant un émetteur synthétisé UHF WRT-810A/820A/822A/830A et un syntoniseur synthétisé UHF WRR-810A/820A/840A/850A.

Le microphone/émetteur et les syntoniseurs du système de microphone sans fil sont classés par bande de fréquences. Une bande de fréquences de 12 MHz (ou deux canaux de télévision à numéros consécutifs, tels que 68 et 69 du modèle U68) est assignée à chaque modèle de microphone/émetteur et syntoniseur.

Combinez bien un microphone/émetteur et un syntoniseur ayant le même numéro de canal de télévision lors de la création d'un système de microphone sans fil UHF.

Voir la "Listes des canaux sans fil" à la page L-1 pour les canaux sans fil et les fréquences sélectionnables.

Caractéristiques

Système synthétisé à boucle à verrouillage de phase (PLL)

Le WRT-807A est doté d'un circuit à verrouillage de phase (PLL) sophistiqué.

Interrupteur POWER à fonction de maintien

L'interrupteur POWER peut être verrouillé en position ON pour éviter toute coupure de courant accidentelle.

Indication d'affaiblissement de la pile sur le syntoniseur

Quand la pile du microphone est affaiblie, le microphone envoie un avertissement au WRR-800A/801A/802A/805A/850A, MB-806A sous forme "d'information d'état de la pile".

Cette information est envoyée au WRR-800A/801A/802A/805A/850A, MB-806A environ une heure avant l'épuisement de la pile pour permettre son remplacement en toute sécurité.

Quand le WRR-800A/801A/802A/805A/850A, MB-806A reçoit cette information, les DEL et l'affichage du panneau du syntoniseur se mettent à clignoter.

Alimenté par un type de pile facilement disponible

Le convertisseur C.C.-C.C. intégré hautement efficace assure environ cinq heures de fonctionnement continu et stable sur une seule pile alcaline LR6 (format AA).

Indication sur afficheur à cristaux liquides (ACL) de diverses informations

L'ACL du microphone indique le numéro du canal actuel, la fréquence, le réglage d'atténuation d'entrée et la puissance restante de la pile.

Le temps d'utilisation total de la pile est également indiqué (par incréments d'une minute) pour permettre de contrôler précisément l'usure de la pile.

Sauvegarde automatique des réglages de canal et d'atténuation d'entrée

Tous les réglages de canal et d'atténuation d'entrée sont automatiquement sauvegardés à la mise hors tension du microphone (et sont maintenus même au retrait de la pile), éliminant ainsi la nécessité de refaire les mêmes réglages à l'utilisation suivante du microphone.

Atténuateur électronique très fiable

Ajustable sur la plage de 0 à 21 dB par incréments de 3 dB, l'atténuateur de niveau d'entrée intégré réduit la distorsion du signal lors de l'entrée de signaux audio trop puissants.

Signal de porteuse RF avec signal de tonalité

Le microphone transmet un signal de porteuse RF incorporant un signal de tonalité pour permettre à tout syntoniseur avec circuit de silencieux de capter seulement le signal audio cible.

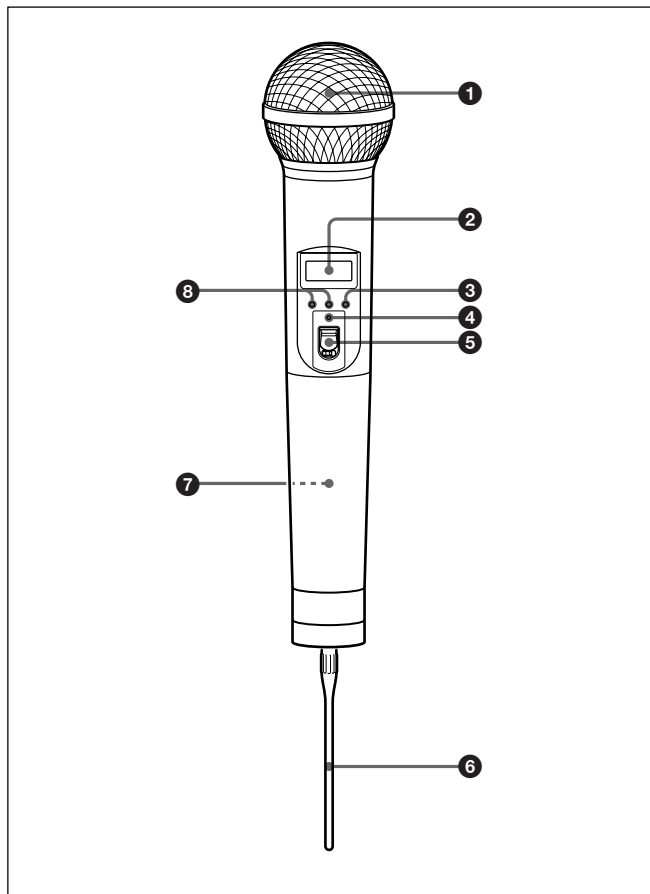
Gamme dynamique large et bruit faible

Le compandor (compresseur-expandeur) du microphone permet la transmission sur une gamme dynamique large avec un bruit minimum.

Remarques sur le fonctionnement

- Si vous utilisez deux microphones ou plus, maintenez-les éloignés l'un de l'autre d'au moins 30 cm (1 pied).
- Eloignez les microphones d'au moins 3 mètres (10 pieds) de l'antenne réceptrice.

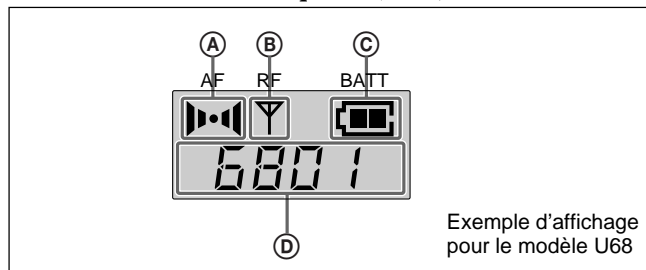
Identification des pièces



❶ Ecran antivent

Protège contre le bruit provoqué par le vent.

❷ Afficheur à cristaux liquides (ACL)



❸ Indication AF (entrée audio)

S'allume à la réception d'un signal audio plus puissant que le signal de référence.

❹ Indication RF (sortie d'antenne)

S'allume pendant la transmission du signal de l'antenne.

❺ Indication BATT (pile)

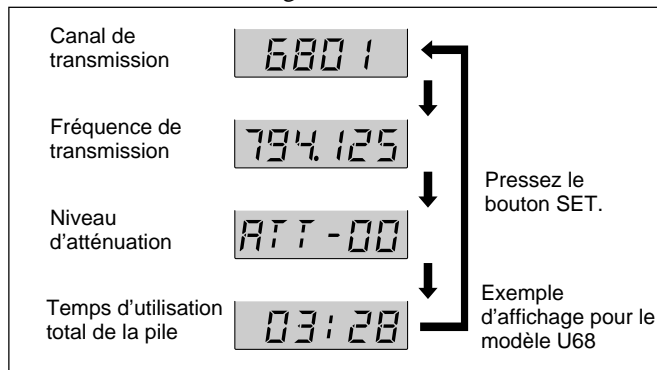
Indique l'état de la pile.

Voir "Indication d'état de la pile" à la page 7.

Ⓣ Indication CH (canal)

Affiche le canal de transmission.

A chaque pression du bouton SET en mode de transmission, l'indication de canal change comme suit.



Canal de transmission: Le réglage de canal de transmission actuel

Fréquence de transmission: Le réglage de fréquence de transmission actuel

Atténuation: Le réglage d'atténuation en décibels.
Réglable sur la plage de 0 à 21 dB par incréments de 3 dB.

Temps d'utilisation total de la pile: Le temps total d'utilisation de la pile (par incréments d'1 minute).

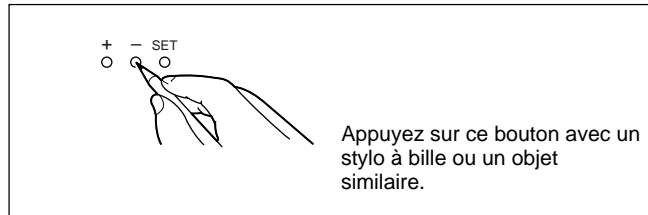
Voir “Changement de canal de transmission” à la page 5, “Modification du réglage d'atténuation d'entrée” à la page 10 et “Remise à zéro de l'indication de temps d'utilisation total de la pile” à la page 11 pour ajuster ces paramètres.

③ Bouton de réglage (SET)

En mode de transmission, appuyez sur ce bouton pour modifier les rubriques indiquées dans la moitié inférieure de l'ACL.

Pour passer au mode de réglage, mettez l'interrupteur POWER sur ON en maintenant ce bouton pressé. Puis, appuyez sur ce bouton pour sélectionner les rubriques à indiquer.

Pression des boutons SET et +/-



Voir “Réglages” à la page 8 pour les détails sur le mode de réglage.

Identification des pièces

4 Témoin d'alimentation (POWER)

S'allume quand le microphone est sous tension.

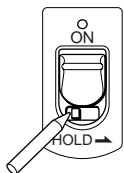
5 Interrupteur d'alimentation (POWER)

Met le microphone sous/hors tension.

Si vous mettez cet interrupteur sur ON sans maintenir un autre bouton enfoncé, le microphone passe en mode de transmission, et le signal du canal sélectionné est transmis. Le commutateur HOLD apparaît quand l'interrupteur POWER est réglé sur ON.

Maintenez le commutateur HOLD en position verrouillée pour éviter une coupure de courant accidentelle du microphone pendant son fonctionnement.

Verrouillage de l'interrupteur POWER



Faites glisser le commutateur HOLD vers la droite avec un stylo à bille ou un objet similaire.



Une marque jaune apparaît quand le commutateur est en position de maintien.

6 Antenne

7 Logement de la pile

Insérez-y la pile.

Voir "Alimentation" à la page 7 pour les détails sur l'insertion de la pile.

8 Boutons + (sélection +)/-(sélection -/remise à zéro)

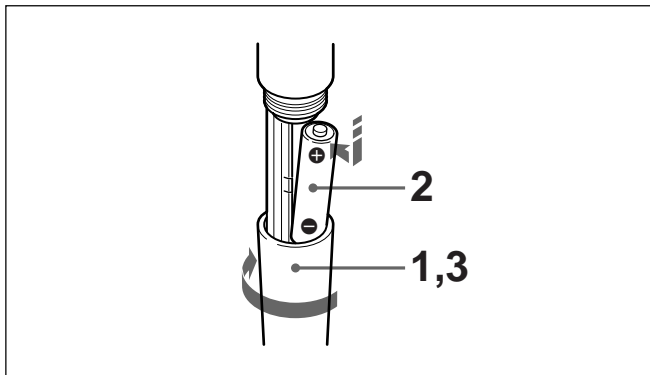
En mode de réglage, sélectionnez le canal de transmission et le niveau d'atténuation avec ces boutons, et utilisez le bouton - pour remettre l'indication du temps d'utilisation total de la pile à 00:00.

Voir "Réglages" à la page 8 pour les détails sur le mode de réglage.

Alimentation

Le microphone peut fonctionner en continu pendant environ 5 heures à 25°C sur une pile alcaline LR6 (format AA).




Insertion de la pile



- 1** Tournez la poignée dans le sens de la flèche pour ouvrir le logement de la pile.
- 2** Faites correspondre les marques de polarité de la pile avec celles du logement, et insérez-la dans le logement.
- 3** Refermez le logement de la pile et verrouillez la poignée en la tournant dans le sens contraire de la flèche.

Indication d'état de la pile

A la mise sous tension, l'état de la pile est indiquée par indication BATT sur l'afficheur à cristaux liquides.

	1	2	3	4
Indication BATT	Allumé 	Allumé 	Clignotant 	Eteint
Etat de la pile	Chargée	Moins d'une demi-charge	Presque épuisée	Entièrement épuisée

Remarque

L'indication peut être incorrecte si la pile n'était pas neuve à l'insertion. Si vous prévoyez d'utiliser le microphone pendant une période prolongée, remplacez la pile par une neuve.

Réglages

Passage au mode de réglage

Passez au mode de réglage pour changer de canal de transmission, de fréquence de transmission et de niveau d'atténuation, ou pour remettre l'indication du temps d'utilisation total de la pile à zéro.

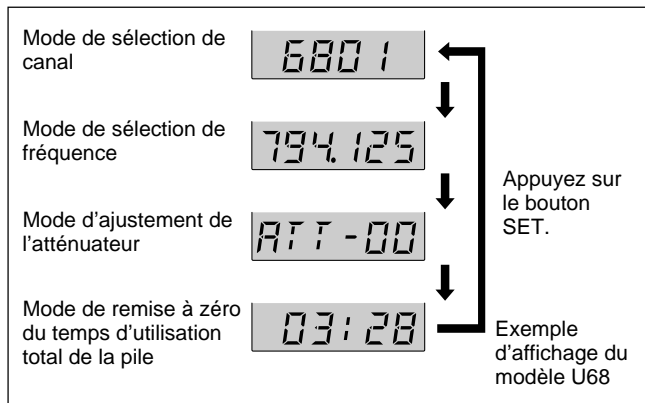
Pour passer en mode de réglage

Maintenez le bouton SET pressé et régler l'interrupteur POWER sur ON.

Maintenez le bouton SET pressé jusqu'à ce qu'une indication apparaisse sur l'ACL.

Le microphone passe en mode de réglage et l'indication avant la dernière mise hors tension du microphone clignote sur l'ACL.

La pression du bouton SET fait passer cycliquement entre les modes dans l'ordre: mode de sélection de canal, mode de sélection de fréquence (page 8), mode d'ajustement de l'atténuateur (page 10) et mode de remise à zéro du temps d'utilisation total de la pile (page 11).



Changement de canal de transmission

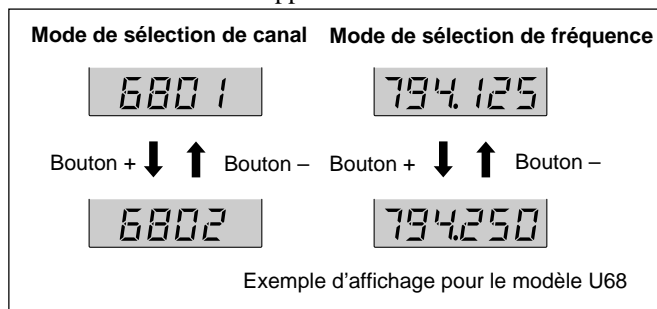
La sélection du canal de transmission est possible par le numéro de canal ou la fréquence.

- 1 Réglez le microphone au mode de réglage.
Si l'indication du numéro de canal (ou de la fréquence) n'apparaît pas, appuyez sur le bouton SET jusqu'à ce qu'elle apparaisse.

2 Appuyez sur le bouton + ou – pour sélectionner le numéro de canal (ou la fréquence).

La pression du bouton + modifie cycliquement l'indication dans l'ordre indiqué dans les tableaux sous Aperçu des “Listes des canaux sans fil” à la page L-1.

La pression du bouton – fait parcourir cycliquement les indications en sens opposé.



Maintenez le bouton enfoncé pour changer rapidement de numéro de canal (ou de fréquence).

3 Quand le numéro de canal (ou de fréquence) souhaité apparaît, mettez l'interrupteur POWER sur OFF pour quitter le mode de réglage, ou appuyez sur le bouton SET pour effectuer d'autres opérations en mode de réglage.

A la mise sous tension suivante du microphone (en mettant l'interrupteur POWER sur ON), le microphone passera en mode de transmission avec le niveau de canal (ou la fréquence) sélectionné.

Remarques

- Le microphone ne peut pas transmettre en mode de réglage.
- Vérifiez que le canal sélectionné sur le microphone est le même que celui sélectionné sur le syntoniseur utilisé dans le même système.
- Selon les conditions de bruit ou d'interférence, les canaux sélectionnables peuvent ne pas être utilisables. Si nécessaire, vous pouvez déterminer les canaux utilisables en parcourant cycliquement la sélection des canaux en utilisant les numéros de canal sur le syntoniseur avec le microphone réglé à OFF. Les canaux pour lesquels l'indicateur RF du syntoniseur ne s'allume pas sont utilisables.
- Le microphone peut ne pas opérer correctement s'il est remis sous tension immédiatement après sa mise hors tension en mode de réglage. Attendez quelques secondes avant de le remettre sous tension.

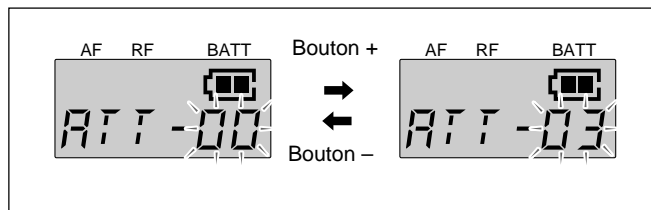
Réglages

Modification du réglage d'atténuation d'entrée

Le réglage d'atténuation d'entrée peut être modifié sur la plage de 0 à 21 dB (par incréments de 3 dB) en mode de réglage ou de transmission.

Modification de l'atténuation d'entrée en mode de réglage

- 1 Mettez le microphone en mode de réglage.
- 2 Si le niveau d'atténuation n'est pas affiché, appuyez sur le bouton SET jusqu'à ce qu'il apparaisse.
- 3 Appuyez sur le bouton + ou – pour modifier le réglage d'atténuation.



Maintenez le bouton pressé pour modifier rapidement le niveau.

- 4 Quand le niveau souhaité apparaît, mettez l'interrupteur POWER sur OFF pour quitter le mode de réglage, ou appuyez sur le bouton SET pour effectuer d'autres opérations en mode de réglage.

A la mise sous tension suivante du microphone (en mettant l'interrupteur POWER sur ON), le microphone passera en mode de transmission avec le réglage d'atténuation sélectionné.

Modification de l'atténuation d'entrée en mode de transmission

L'atténuation d'entrée peut aussi être modifiée pendant la transmission en mode de transmission.

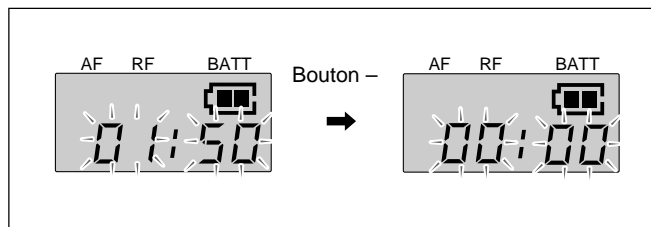
- 1 Si le niveau d'atténuation n'est pas affiché, appuyez sur le bouton SET jusqu'à ce qu'il apparaisse.
- 2 Appuyez sur le bouton + ou – pour modifier le réglage d'atténuation.

Remise à zéro de l'indication du temps d'utilisation total de la pile

Le temps d'utilisation total de la pile est le temps total (en heures et minutes) pendant lequel la pile a été utilisée. Il est enregistré quand le WRT-807A est sous tension.

Remettez l'indication à 00:00 au remplacement de la pile.

- 1 Mettez le microphone en mode de réglage.
- 2 Si le temps d'utilisation total de la pile n'est pas affiché, appuyez sur le bouton SET jusqu'à ce qu'il apparaisse.
- 3 Appuyez sur le bouton -.
L'indication est remise à 00:00.



Appuyez sur le bouton + pendant l'apparition de l'indication 00:00 pour revenir à la valeur précédente.

- 4 Mettez l'interrupteur POWER sur OFF pour quitter le mode de réglage.

Dépannage

En cas de problème avec cet appareil, utilisez la liste de contrôle ci-dessous. Si le problème persiste, consultez votre revendeur Sony.

Symptôme	Signification/mesure à prendre
Le microphone ne se met pas sous tension.	<ul style="list-style-type: none">• Les pôles + et – de la pile ne correspondent pas à ceux indiqués dans le logement de la pile. ➔ Insérez la pile en respectant les polarités.• La pile est épuisée. ➔ Remplacez-la par une neuve.• Les bornes + et – de la pile du microphone sont sales. ➔ Nettoyez-les avec une ouate de coton.
La pile s'affaiblit rapidement.	<ul style="list-style-type: none">• La pile est épuisée. ➔ Remplacez-la par une neuve.• Vous utilisez une pile au manganèse. ➔ Utilisez une pile alcaline. La vie de service d'une pile au manganèse est de moins de la moitié de celle d'une pile alcaline.• Le microphone est utilisé par temps froid. ➔ La pile s'affaiblit rapidement par temps froid.
La mise hors tension du microphone est impossible.	Le commutateur HOLD est en position verrouillée. ➔ Mettez-le en position déverrouillée.
Le changement de canal est impossible.	Vous avez essayé de changer de canal en appuyant seulement sur le bouton SET. ➔ Mettez le microphone hors tension, puis à nouveau sous tension en maintenant le bouton SET enfoncé. Puis changez de canal avec les boutons + et –.
Pas de son.	<ul style="list-style-type: none">• L'indication sur l'ACL clignote. ➔ Le microphone est en mode de réglage de canal. Mettez-le hors tension, puis à nouveau sous tension.• Le réglage de canal du microphone est différent de celui du syntoniseur. ➔ Utilisez le même réglage de canal pour le microphone et le syntoniseur.• L'indicateur AF ou RF ne s'allume pas. ➔ Vérifiez que le microphone et le syntoniseur sont tous deux sous tension.

Symptôme	Signification/mesure à prendre
Son faible	<ul style="list-style-type: none"> • Le niveau d'atténuation est réglé trop haut. ➔ Le niveau de sortie est faible. Appuyez sur le bouton – en mode de réglage de niveau d'atténuation pour baisser le niveau d'atténuation. • Le volume sur l'amplificateur, le mixeur ou le syntoniseur est trop bas. ➔ Ajustez le volume.
Déformation du son	<ul style="list-style-type: none"> • Le niveau d'atténuation est réglé trop bas. ➔ Le niveau d'entrée est très haut. Appuyez sur le bouton + en mode de réglage de niveau d'atténuation pour augmenter le niveau d'atténuation.
Interruption du son ou bruit	<ul style="list-style-type: none"> • L'antenne du récepteur est mal raccordée. ➔ Raccordez-la correctement conformément au mode d'emploi du syntoniseur ou du diviseur d'antenne. • Le diviseur d'antenne est hors tension. ➔ Mettez-le sous tension. Le syntoniseur peut capter des signaux même si le diviseur d'antenne est hors tension, mais des interruptions de son ou du bruit peuvent survenir. • L'indicateur RF s'allume même quand le microphone est hors tension. ➔ Réception de transmissions brouillées. Déterminez les canaux utilisables (à savoir les canaux pour lesquels l'indicateur RF ne s'allume pas) et réglez le syntoniseur et le microphone au même canal utilisable. • Deux microphones ou plus sont réglés au même canal. ➔ Après vérification, réglez chacun des deux microphones à un canal différent.

Spécifications

Section émetteur et modulateur

Oscillateur	Synthétiseur PLL piloté au cristal synthesizer
Type d'émission	F3E
Fréquences porteuses	
Modèle U64:	770,125 à 781,875 MHz (canaux TV 64 et 65)
Modèle U66:	782,125 à 793,875 MHz (canaux TV 66 et 67)
Modèle U68:	794,125 à 805,875 MHz (canaux TV 68 et 69)
Puissance de sortie RF	10 mW (charge de 50 ohms)
Signal de tonalité	32,768 kHz
Signal d'état de la pile	32,782 kHz
Type d'antenne	Filaire, longueur d'onde 1/4

Section audio

Type de microphone	Dynamique unidirectionnel
Préaccentuation	50 μ s
Déviations	± 5 kHz (94 dB _{SPL} ¹⁾ , entrée 1 kHz)
Réponse en fréquence	50 à 15.000 Hz
Rapport signal/bruit	57 dB ou plus (pondération A, fréquence de modulation de 1 kHz, avec déviation de ± 5 kHz au WRR-800A/801A)
Atténuateur audio	0 à 21 dB, variable par incréments de 3 dB

Niveau d'entrée	151 dB _{SPL} (avec atténuateur audio 21 dB)
-----------------	---

Section alimentation

Alimentation requise	1,5 V C.C. (une pile alcaline LR6/format AA)
Vie de service de la pile	Env. 5 heures à 25°C ou 77°F (pile alcaline LR6 Sony)

Généralités

Température de fonctionnement	0 à 50°C (32 à 122°F)
Température de stockage	-30 à +60°C (-22 à +140°F)
Dimensions	51 × 238 mm (diamètre × longueur), antenne exclue (2-1/8 × 9-3/8 pouces)
Poids	Env. 440 g (15,5 onces), pile incluse

Accessoires fournis

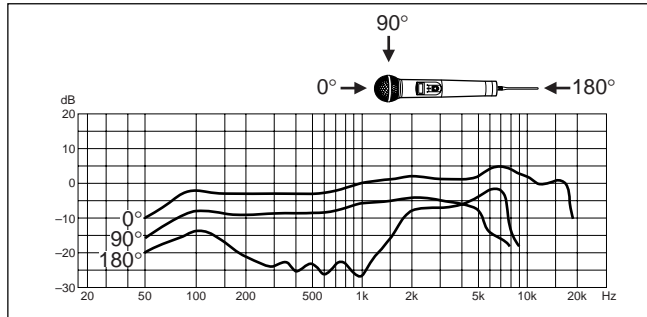
Mode d'emploi (1)
Porte-microphone (1)
Adaptateur de vis PF 1/2 à NS 5/8 (1)

La conception et les spécifications sont sujettes à modification sans préavis.

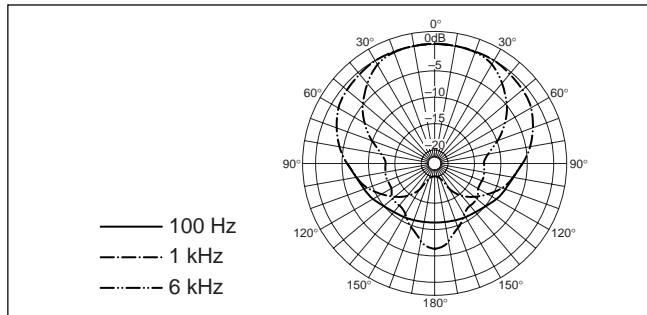
1) 0 dB_{SPL} = 2×10^{-5} Pa

Messages d'erreur

Réponse en fréquence standard



Réponse de directivité standard



En cas d'anomalie, l'un des messages suivants s'affiche.

Message	Signification	Mesure à prendre
Error 11	Une erreur est survenue au niveau des données de la mémoire de sauvegarde.	Les données ont été initialisées. Réglez à nouveau le canal de transmission et l'atténuation d'entrée.
Error 21	Problème dans le circuit PLL synthétisé.	Contactez votre revendeur Sony.
Error 31	La tension de la pile dépasse la valeur admissible.	Utilisez la pile préconisée.
Error 41	Défaut sur un circuit interne.	Contactez votre revendeur Sony.
Error 51	Défaut sur le circuit du convertisseur A/N.	
Error 61	Défaut sur un circuit interne.	

Wireless Channel Lists/Listas de canales inalámbricos/ Listes des canaux sans fil

U64 Model/modelo U64/modèle U64

TV-64 Band/Banda de TV 64/Bande télé 64				TV-65 Band/Banda de TV 65/Bande télé 65			
Channel Canal	Frequency (MHz) Frecuencia Fréquence	Channel Canal	Frequency (MHz) Frecuencia Fréquence	Channel Canal	Frequency (MHz) Frecuencia Fréquence	Channel Canal	Frequency (MHz) Frecuencia Fréquence
64-01	770.125	64-25	773.125	65-01	776.125	65-25	779.125
64-02	770.250	64-26	773.250	65-02	776.250	65-26	779.250
64-03	770.375	64-27	773.375	65-03	776.375	65-27	779.375
64-04	770.500	64-28	773.500	65-04	776.500	65-28	779.500
64-05	770.625	64-29	773.625	65-05	776.625	65-29	779.625
64-06	770.750	64-30	773.750	65-06	776.750	65-30	779.750
64-07	770.875	64-31	773.875	65-07	776.875	65-31	779.875
64-08	771.000	64-32	774.000	65-08	777.000	65-32	780.000
64-09	771.125	64-33	774.125	65-09	777.125	65-33	780.125
64-10	771.250	64-34	774.250	65-10	777.250	65-34	780.250
64-11	771.375	64-35	774.375	65-11	777.375	65-35	780.375
64-12	771.500	64-36	774.500	65-12	777.500	65-36	780.500
64-13	771.625	64-37	774.625	65-13	777.625	65-37	780.625
64-14	771.750	64-38	774.750	65-14	777.750	65-38	780.750
64-15	771.875	64-39	774.875	65-15	777.875	65-39	780.875
64-16	772.000	64-40	775.000	65-16	778.000	65-40	781.000
64-17	772.125	64-41	775.125	65-17	778.125	65-41	781.125
64-18	772.250	64-42	775.250	65-18	778.250	65-42	781.250
64-19	772.375	64-43	775.375	65-19	778.375	65-43	781.375
64-20	772.500	64-44	775.500	65-20	778.500	65-44	781.500
64-21	772.625	64-45	775.625	65-21	778.625	65-45	781.625
64-22	772.750	64-46	775.750	65-22	778.750	65-46	781.750
64-23	772.875	64-47	775.875	65-23	778.875	65-47	781.875
64-24	773.000			65-24	779.000		

Wireless Channel Lists/Listas de canales inalámbricos/Listes des canaux sans fil

U66 Model/modelo U66/modèle U66

TV-66 Band/Banda de TV 66/Bande télé 66				TV-67 Band/Banda de TV 67/Bande télé 67			
Channel Canal	Frequency (MHz) Frecuencia Fréquence	Channel Canal	Frequency (MHz) Frecuencia Fréquence	Channel Canal	Frequency (MHz) Frecuencia Fréquence	Channel Canal	Frequency (MHz) Frecuencia Fréquence
66-01	782.125	66-25	785.125	67-01	788.125	67-25	791.125
66-02	782.250	66-26	785.250	67-02	788.250	67-26	791.250
66-03	782.375	66-27	785.375	67-03	788.375	67-27	791.375
66-04	782.500	66-28	785.500	67-04	788.500	67-28	791.500
66-05	782.625	66-29	785.625	67-05	788.625	67-29	791.625
66-06	782.750	66-30	785.750	67-06	788.750	67-30	791.750
66-07	782.875	66-31	785.875	67-07	788.875	67-31	791.875
66-08	783.000	66-32	786.000	67-08	789.000	67-32	792.000
66-09	783.125	66-33	786.125	67-09	789.125	67-33	792.125
66-10	783.250	66-34	786.250	67-10	789.250	67-34	792.250
66-11	783.375	66-35	786.375	67-11	789.375	67-35	792.375
66-12	783.500	66-36	786.500	67-12	789.500	67-36	792.500
66-13	783.625	66-37	786.625	67-13	789.625	67-37	792.625
66-14	783.750	66-38	786.750	67-14	789.750	67-38	792.750
66-15	783.875	66-39	786.875	67-15	789.875	67-39	792.875
66-16	784.000	66-40	787.000	67-16	790.000	67-40	793.000
66-17	784.125	66-41	787.125	67-17	790.125	67-41	793.125
66-18	784.250	66-42	787.250	67-18	790.250	67-42	793.250
66-19	784.375	66-43	787.375	67-19	790.375	67-43	793.375
66-20	784.500	66-44	787.500	67-20	790.500	67-44	793.500
66-21	784.625	66-45	787.625	67-21	790.625	67-45	793.625
66-22	784.750	66-46	787.750	67-22	790.750	67-46	793.750
66-23	784.875	66-47	787.875	67-23	790.875	67-47	793.875
66-24	785.000			67-24	791.000		

U68 Model/modelo U68/modèle U68

TV-68 Band/Banda de TV 68/Bande télé 68				TV-69 Band/Banda de TV 69/Bande télé 69			
Channel Canal	Frequency (MHz) Frecuencia Fréquence	Channel Canal	Frequency (MHz) Frecuencia Fréquence	Channel Canal	Frequency (MHz) Frecuencia Fréquence	Channel Canal	Frequency (MHz) Frecuencia Fréquence
68-01	794.125	68-25	797.125	69-01	800.125	69-25	803.125
68-02	794.250	68-26	797.250	69-02	800.250	69-26	803.250
68-03	794.375	68-27	797.375	69-03	800.375	69-27	803.375
68-04	794.500	68-28	797.500	69-04	800.500	69-28	803.500
68-05	794.625	68-29	797.625	69-05	800.625	69-29	803.625
68-06	794.750	68-30	797.750	69-06	800.750	69-30	803.750
68-07	794.875	68-31	797.875	69-07	800.875	69-31	803.875
68-08	795.000	68-32	798.000	69-08	801.000	69-32	804.000
68-09	795.125	68-33	798.125	69-09	801.125	69-33	804.125
68-10	795.250	68-34	798.250	69-10	801.250	69-34	804.250
68-11	795.375	68-35	798.375	69-11	801.375	69-35	804.375
68-12	795.500	68-36	798.500	69-12	801.500	69-36	804.500
68-13	795.625	68-37	798.625	69-13	801.625	69-37	804.625
68-14	795.750	68-38	798.750	69-14	801.750	69-38	804.750
68-15	795.875	68-39	798.875	69-15	801.875	69-39	804.875
68-16	796.000	68-40	799.000	69-16	802.000	69-40	805.000
68-17	796.125	68-41	799.125	69-17	802.125	69-41	805.125
68-18	796.250	68-42	799.250	69-18	802.250	69-42	805.250
68-19	796.375	68-43	799.375	69-19	802.375	69-43	805.375
68-20	796.500	68-44	799.500	69-20	802.500	69-44	805.500
68-21	796.625	68-45	799.625	69-21	802.625	69-45	805.625
68-22	796.750	68-46	799.750	69-22	802.750	69-46	805.750
68-23	796.875	68-47	799.875	69-23	802.875	69-47	805.875
68-24	797.000			69-24	803.000		

Sony line <http://www.world.sony.com/>

Printed on recycled paper
Impreso en papel reciclado
Imprimé sur papier recyclé

Sony Corporation Printed in Japan

Free Manuals Download Website

<http://myh66.com>

<http://usermanuals.us>

<http://www.somanuals.com>

<http://www.4manuals.cc>

<http://www.manual-lib.com>

<http://www.404manual.com>

<http://www.luxmanual.com>

<http://aubethermostatmanual.com>

Golf course search by state

<http://golfingnear.com>

Email search by domain

<http://emailbydomain.com>

Auto manuals search

<http://auto.somanuals.com>

TV manuals search

<http://tv.somanuals.com>