

Installation

Before Installation

After deciding the direction in which the camera will shoot, make the required hole (ϕ 40 to 60 mm (ϕ 1 5/8 to 2 3/8 inches)) for the connecting cables using the supplied template. Then decide the two mounting hole positions to install the camera. (D)

Mounting screws

The camera is provided with two ϕ 5 mm ($7/32$ inch) mounting holes. Install the camera on a ceiling or wall with screws. The required mounting screws differ depending on the installation location and its material. (Mounting screws are not supplied.)

Steel wall or ceiling: Use M4 bolts and nuts.
Wood wall or ceiling: Use M4 tapping screws. The panel thickness must be 15 mm ($5/8$ inch) or more.
Concrete wall: Use appropriate anchors, bolts and plugs for concrete walls.
Junction box: Use screws to match the holes on the junction box.

WARNING

The required mounting screws differ depending on the installation location and its material. If you do not secure the camera with the appropriate mounting screws, the camera may fall off.

Installing the Camera

- Remove the dome casing. (E)
 - Pull out the screw cover and loosen the screw with a Phillips screwdriver.
 - Turn the dome casing to the curved mark position on the camera unit, and remove the dome casing from the camera unit. When the screw is caught on the screw hole, pull up the screw.
- Remove the slit cover. (F)
- When installing on a ceiling or wall, fix the supplied wire rope to the bottom of the camera and the ceiling (or wall). (G)
 - Fix the wire rope with the supplied shoulder screw to the hole for the wire rope on the bottom of the camera.
 - Fix the wire rope to the ceiling or wall.
- Install the camera on the ceiling or wall with the two screws. (H)

WARNING

- If you want to install the camera at a height such as on a ceiling, entrust the installation to an experienced contractor or installer.
- If you install the camera at a height, ensure that the installation location and its material are strong enough to withstand a weight of 10 kg (22 lb 1 oz) or more, and then install the camera securely. If they are not strong enough, the camera may fall and cause serious injury.
- To prevent the camera from falling, be sure to attach the supplied wire rope.
- If you install the camera at a height, check periodically, at least once a year, to ensure that the connection has not loosened. If conditions warrant, perform this periodic check more frequently.

Note

If you cannot use screws on a ceiling or wall, or if you want to hide the camera to be less conspicuous, use the YT-ICB45 in-ceiling bracket (optional) with which you can mount the camera on the ceiling.

Adjusting the Camera Direction and Coverage

- Loosen the camera head fixing screw.
- Adjust the camera to turn the lens in the desired direction.
- Tighten the camera head fixing screw to fix the camera.
- Loosen the lens ring fixing screw.
- Turn the zoom ring to adjust the angle of view.
- Turn the focus ring to adjust the focus.
- Tighten the lens ring fixing screw to fix the zoom and the focus.
- Repeat steps 1 to 7 until the coverage and the focus are determined.

Notes

- When you adjust the camera head angle without loosening camera head fixing screw, an internal metallic part may be damaged.
- If the camera head is too heavy to be adjusted, loosen the camera head fixing screw until it moves freely.
- When the lens is not put in the slit of the camera head holder, the moving range of the camera head is limited.
- Do not turn the lens more than 360 degrees. As this may damage the wiring inside.
- There are three screw holes for fixing the lens ring at 120 degree intervals. If the lens ring fixing screw poses a problem for adjusting the camera direction and coverage due to the direction of the camera head, detach the screw and reattach it to another screw hole, then adjust the camera direction and coverage again.
- When adjusting the angle, be sure that the TOP mark on the camera head section faces the ceiling. If the camera is installed with the TOP mark facing the floor, the image appears upside down.

Attaching the Dome Casing

- Attach the slit cover. (I)
 - The proper position of the slit cover is slightly apart from the camera mount. Do not push in by force.
 - If you cannot attach the slit cover because the barrier of the lens ring fixing screw prevents it, attach the lens ring fixing screw to another screw hole. There are three screw holes for the lens ring fixing screw on the concentric circle.
- Fix the dome casing and the camera unit. (J)
 - Align the carved mark on the dome casing with that on the camera unit, and turn the dome casing in the direction of the arrow.
 - Secure the screw and put the screw cover.

Connection

Connecting this unit to a local network

Using a commercially available network cable (straight), connect the LAN port of this unit to a hub in the network.

Connecting this unit to a computer

Using a commercially available network cable (cross), connect the LAN port of this unit to the network connector of a computer.

Connecting the power source

There are three ways to supply the power source to this product, as follows.

- 12 V DC
- 24 V AC
- Power supply equipment pursuant to IEEE802.3af (PoE* system)
 *PoE means Power over Ethernet.

Note

If the power is supplied from the power input terminal and LAN port at the same time, the power from the LAN port has priority over the other.

Connecting to 12 V DC or 24 V AC source

Connect the AC power cord to the 12 V DC/24 V AC connector on the rear and a 12 V DC or 24 V AC source.

- Use a 12 V DC or 24 V AC source isolated from 100 to 240 V AC. Each usable voltage ranges are as follows.
 12 V DC: 10.8 V to 13.2 V
 24 V AC: 21.6 V to 26.4 V
- Use UL cable (VW-1 style 1007) for these connections.

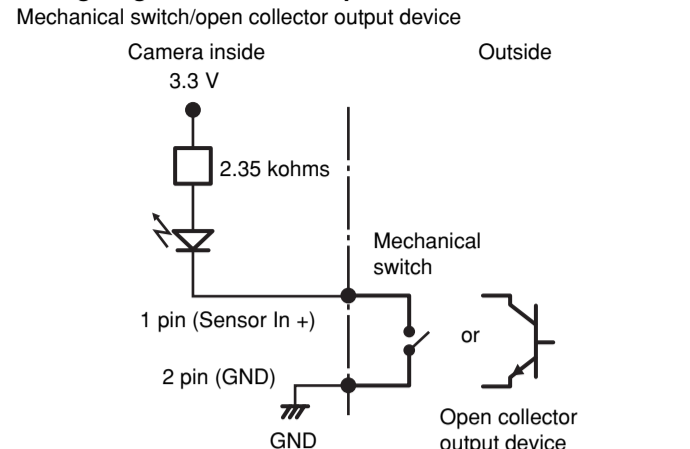
Connecting to the power supply equipment pursuant to IEEE802.3af

The power supply equipment pursuant to IEEE802.3af supplies the power through a LAN port. For details, refer to the Instruction Manual of the equipment.

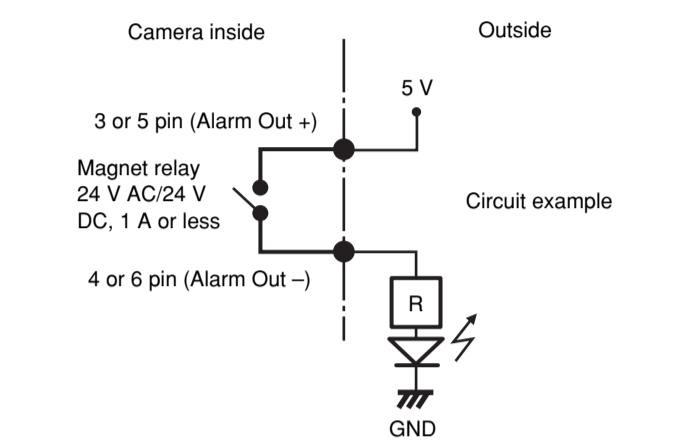
Connecting the I/O port

While holding down the button on the slot to which you want to connect the wire (AWG No. 28 to 22) with a small slotted screwdriver, insert the wire into the slot. Then release the screwdriver from the button. Repeat this procedure to connect all required wires.

Wiring diagram for sensor input



Wiring diagram for alarm output



Specifications

Network	Protocol	TCP/IP, ARP, ICMP, HTTP, FTP (server/client), SMTP (client), DHCP (client), DNS (client), NTP (client), SNMP (MIB-2), RTP/RTCP
---------	----------	--

Compression	Video compression format	JPEG/MPEG4/H.264
	Audio compression format	G.711/G.726 (40,32,24,16 kbps)
	Image size	640 x 480 (VGA), 320 x 240 (QVGA), 160 x 120 (QQVGA)
	Maximum frame rate	SNC-DF50N: 30 fps SNC-DF50P: 25 fps

Web browser	Internet Explorer Ver. 6.0 (Available OS: Microsoft Windows 2000, Windows XP)
Computer environments	CPU: Pentium 4, 1.5 GHz or higher (Pentium 4, 2.4 GHz or higher recommended) RAM: 256 MB or more Display size: 1024 x 768
Maximum user access	20 users
Network security	Password (basic authentication), IP filtering
Homepage customization	Starting from a homepage in the built-in flash memory possible.
Other functions	Detection, image trimming, built-in clock, etc.

Camera	Signal system	SNC-DF50N: NTSC color system SNC-DF50P: PAL color system
Image device	Image device	1/3 type interline transfer CCD Total picture elements: SNC-DF50N: Approx. 410,000 SNC-DF50P: Approx. 470,000 Effective picture elements: SNC-DF50N: Approx. 380,000 SNC-DF50P: Approx. 440,000
Synchronization	Internal synchronization	480 TV line (analog video)
Horizontal resolution	Video S/N	50 dB (AGC OFF)
Minimum illumination	AGC	0.7 lx (F1.3)
Shutter speed	ON/OFF	Manual
	Shutter speed	SNC-DF50N: 1/60-1/10000 sec. SNC-DF50P: 1/50-1/10000 sec. ATW, ATW-PRO

Lens (standard equipment)	Focal length	2.8 to 10 mm
	Maximum relative aperture	F1.3
	View angle	Vertical 73.9° to 20.8° Horizontal 100.8° to 27.7°
	Minimum object distance	300 mm

Interface	LAN port	10BASE-T/100BASE-TX, auto negotiation (RJ-45)
	I/O port	Sensor input: x 1, make contact, break contact Alarm output: x 2, 24 V AC/DC, 1 A (mechanical relay outputs electrically isolated from the camera)
	Video output	VIDEO OUT: BNC, 1.0 Vp-p, 75 ohms, unbalanced, sync negative
	Microphone input	Minijack (monaural) Plug-in-power supported (rated voltage: 2.5 V DC) Recommended load impedance 2.2 khoms
	Line output	Minijack (monaural), Maximum output level: 1 Vrms

Others	Power supply	12 V DC \pm 10% 24 V AC \pm 10%, 50/60 Hz PoE
	Power consumption	9 W max.
	Operating temperature	-10 °C to +50 °C (14 °F to 122 °F)
	Storage temperature	-20 °C to +60 °C (-4 °F to +140 °F)
	Operating humidity	20 to 80 %
	Storage humidity	20 to 95 %
	Dimensions (diameter/height)	126 x 140.5 mm (5 x 5 5/8 inches) not including the projecting parts
	Mass	Approx. 920 g (2 lb), not including cables
	Supplied accessories	CD-ROM (User's Guide and supplied programs) (1), Template (1), Wire rope (1), Shoulder screw M4 (1), AC power cord (1), Monitor cable (1), Installation Manual (1)

Optional accessory	In-ceiling bracket YT-ICB45
--------------------	-----------------------------

Design and specifications are subject to change without notice.

Always verify that the unit is operating properly before use. SONY WILL NOT BE LIABLE FOR DAMAGES OF ANY KIND INCLUDING, BUT NOT LIMITED TO, COMPENSATION OR REIMBURSEMENT ON ACCOUNT OF THE LOSS OF PRESENT OR PROSPECTIVE PROFITS DUE TO FAILURE OF THIS UNIT, EITHER DURING THE WARRANTY PERIOD OR AFTER EXPIRATION OF THE WARRANTY, OR FOR ANY OTHER REASON WHATSOEVER.

Regular parts replacement
 Some of the parts that make up this product (electrolytic condenser, for example) need replacing regularly depending on their life expectancies. The lives of parts differ according to the environment or condition in which this product is used and the length of time it is used, so we recommend regular checks. Consult the dealer from whom you bought it for details.

Free Manuals Download Website

<http://myh66.com>

<http://usermanuals.us>

<http://www.somanuals.com>

<http://www.4manuals.cc>

<http://www.manual-lib.com>

<http://www.404manual.com>

<http://www.luxmanual.com>

<http://aubethermostatmanual.com>

Golf course search by state

<http://golfingnear.com>

Email search by domain

<http://emailbydomain.com>

Auto manuals search

<http://auto.somanuals.com>

TV manuals search

<http://tv.somanuals.com>