

SONY®

FLAT WIDE DISPLAY

FWD-42PV1

FWD-42PV1P

FWD-42PV1A

PROTOCOL MANUAL

1st Edition

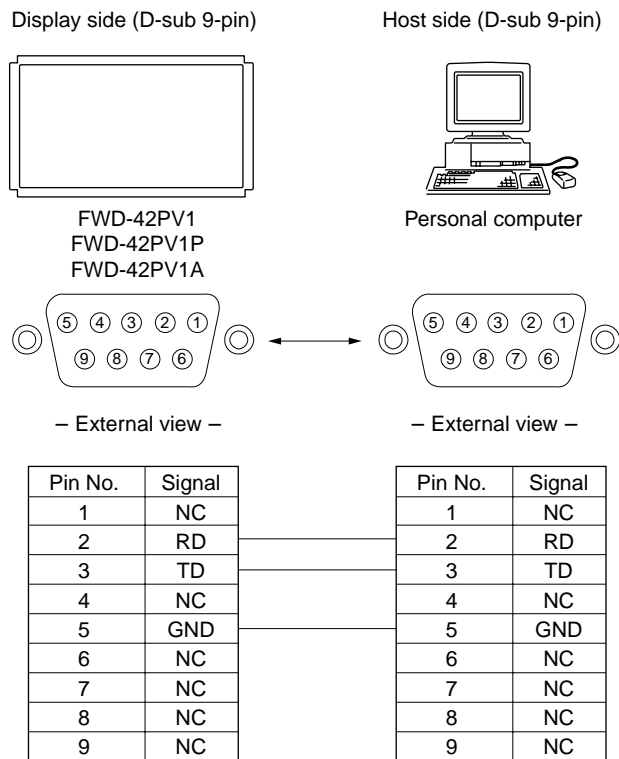
Table of Contents

1. Communication Parameter	1
2. Pin Configuration	1
3. Communication Data Format	1
4. General Function	3
5. Picture/Sound	12
6. Size/Shift	14
7. Status Enquiry	16
8. User Reset	19

1. Communication Parameter

Communication system	RS-232C
Synchronous system	Asynchronous communication
Baud rate	9600 bps
Character length	8 bit
Parity	None
Start bit	1 bit
Stop bit	1 bit
Flow control	None

2. Pin Configuration



3. Communication Data Format

(a) Control (Host → Request of Write to Display)

No.	Item	Value
1	Header	0x8C:Control
2	Category	0xXX
3	Function	0xXX
4	Data1 (Length)	0xXX
5	Data2 (Data1)	0xXX
:	:	0xXX
:	:	0xXX
X	DataX	0xXX
X+1	Check Sum	0xXX

- * Check Sum: The total from No. 1 to No. X, when value exceeds 255, 1byte of data is confirmed the bottom.
- * Set the command interval to 500 ms or more when transmitting the Control command continuously.
- * Set the command interval to 500 ms or more when transmitting the same command (Enquiry) after the Control command.

(b) Enquiry (Host → Request of Read to Display)

No.	Item	Value
1	Header	0x83:Enquiry
2	Category	0xXX
3	Function	0xXX
4	Data1	0xFF
5	Data2	0xFF
6	Check Sum	0xXX

- * Check Sum: The total from No.1 to No.5, when value exceeds 255, 1byte of data is confirmed the bottom.

(c) Answer (Display → Response to Host)

① Control answer

No.	Item	Value
1	Header	0x70: Answer
2	Answer*	0x00: Completed 0x01: Limit Over 0x02: Limit Under 0x03: Command Canceled
3	Check Sum	0xXX

- * 0x00: Completed Normal response.
- 0x01: Limit Over The packets was received normally, but the data value was over the upper limit. Forcely the monitor adjusted the data to maximum value.
- 0x02: Limit Under The packets was received normally, but the data value was under the lower limit. Forcely the monitor adjusted the data to minimum value.
- 0x03: Command Canceled The packets was received normally, but the command was cancelled because the function was not in adjustable mode, such as “-” a function displayed as in user menu.
- * Check Sum: The total from No.1 to No.2, when value exceeds 255, 1byte of data is confirmed the bottom.

② Enquiry answer (Complete)

No.	Item	Value
1	Header	0x70: Answer
2	Answer	0x00: Completed
3	Return Data Size	0xXX
4	Return Data1	0xXX
:	:	0xXX
:	:	0xXX
X	Return DataX	0xXX
X+1	Check Sum	0xXX

- * 0x00: Completed Normal response.
- * Return Data returns the read value.
- * Check Sum: The total from No.1 to No.X, when value exceeds 255,1byte of data is confirmed the bottom.

③ Enquiry answer (Command cancel)

No.	Item	Value
1	Header	0x70: Answer
2	Answer	0x03: Command Canceled
3	Check Sum	0xXX

- * 0x03: Command Canceled The packets was received normally, but the command was cancelled because the function was not in adjustable mode, such as “-” a function displayed as in user menu.
- * Check Sum: The total from No.1 to No.2, when value exceeds 255, 1byte of data is confirmed the bottom.

④ Error answer

No.	Item	Value
1	Header	0xE0: Answer
2	Answer*	0x00: No Function Error 0x01: Check Sum Error 0x02: Data Length Error
3	Check Sum	0xXX

- * 0x00: No Function Error Packet header, category of function codes do not exist in this protocol.
- 0x01: Check Sum Error The “Check Sum” value of the packet which received is wrong.
- 0x02: Data Length Error The “Data Num” value of the packet which received is wrong.

4. General Function

(a) Mode Control

Syntax	Header	Category	Function	Data1	Data2	Check Sum
Control	0x8C	0x00	Code Table(1-a)[a]	0x02	Code Table(1-a)[b]	0xXX
Enquiry	0x83			0xFF	0xFF	0xXX

Answer	Header	Answer	Check Sum	
Control	0x70	0x00	0x70	Completed
	0x70	0x01	0x71	Limit Over
	0x70	0x02	0x72	Limit Under
	0x70	0x03	0x73	Command Canceled

Answer	Header	Answer	Return to Data Size	Return Data1	Check Sum	
Enquiry	0x70	0x00	0x02	Code Table(1-a)[b]	0xXX	Completed

Code Table(1-a)

[a]Function	[b]Range/Switch Code	Command Control	Enquiry	Standby	Power On
0x00 Power*1	0x00 OFF	Yes	Yes	Enable	Enable
	0x01 ON				
0x01 Input Select*2	0x0A INPUT2 RGB	Yes	Yes	Disable	Enable
	0x0B INPUT2 COMPONENT				
	0x10 OPTION1 VIDEO				
	0x11 OPTION1 S VIDEO				
	0x12 OPTION1 RGB				
	0x13 OPTION1 COMPONENT				
	0x20 INPUT1 DVI				
0x02 Force Status Display	0x00 ON	Yes	Yes	Disable	Enable
	0x01 OFF				
0x03 Audio Mute	0x00 OFF	Yes	Yes	Disable	Enable
	0x01 ON				
0x04 Auto Status Display	0x00 ON	Yes	Yes	Enable	Enable
	0x01 OFF				
0x05 Closed Caption	0x00 OFF	Yes	Yes	Disable	Enable
	0x01 CC1				
	0x02 CC2				
	0x03 CC3				
	0x04 CC4				

(Continued)

Code Table(1-a)

[a]Function		[b]Range/Switch Code		Command Control	Enquiry	Standby	Power On
0x06	Color System	0x00	Auto	Yes	Yes	Disable	Enable
		0x01	NTSC				
		0x02	NTSC4.43				
		0x03	PAL				
		0x04	SECAM				
		0x05	PAL-M				
		0x06	PAL-N				
		0x07	PAL60				
0x0B	Picture Inversion	0x00	OFF	Yes	Yes	Disable	Enable
		0x01	Auto				
		0x02	On				
0x0C	Picture Orbit	0x00	OFF	Yes	Yes	Disable	Enable
		0x02	ON				
0x0D	Orbit Range	0x00	Small	Yes	Yes	Disable	Enable
		0x01	Middle				
		0x02	Large				
0x0E	Orbit Cycle	0x00	10 sec	Yes	Yes	Disable	Enable
		0x01	30 sec				
		0x02	1 min				
		0x03	5 min				
0x0F	Language	0x00	Japanese	Yes	Yes	Disable	Enable
		0x01	English				
		0x02	Deutsch				
		0x03	Français				
		0x04	Español				
		0x05	Italiano				
0x10	Index Number	0x01-0xFF		Yes	Yes	Disable	Enable
0x13	Power Saving	0x00	Standard	Yes	Yes	Disable	Enable
		0x01	Reduce				
0x14	Speaker Out	0x00	ON	Yes	Yes	Disable	Enable
		0x01	OFF				
0x16	HD Mode	0x00	1080i	Yes	Yes	Disable	Enable
		0x01	1035i				
0x17	RGB Mode	0x00	DTV	Yes	Yes	Disable	Enable
		0x01	PC				
0x18	Sync Mode	0x00	H/Comp	Yes	Yes	Disable	Enable
		0x01	Video				
0x1B	Clock Display	0x00	OFF	Yes	Yes	Disable	Enable
		0x01	ON				
0x40	All White	0x00	OFF	Yes	Yes	Disable	Enable
		0x01	ON				

(Continued)

Code Table(1-a)

[a]Function		[b]Range/Switch Code		Command Control	Enquiry	Standby	Power On
0x41	BackGroud	0x00	Gray	Yes	Yes	Disable	Enable
		0x01	Dark Gray				
		0x02	Black				
0x49	Auto Dimmer	0x00	OFF	Yes	Yes	Disable	Enable
		0x01	ON				
0x65	IP Setting Mode	0x00	DHCP	Yes	Yes	Enable	Enable
		0x01	Manual				
		0x02	Speed				
0x66	IP Setting Execute	0x00	No	No	Yes	Enable	Enable
		0x01	Yes				
0x67	IP Setting Result	0x00	Done	Yes	No	Enable	Enable
		0x01	Error 1 (UART Commu.)				
		0x02	Error 2 (Duplication)				
		0x03	Error 3 (IP Add Setting)				
		0x04	Error 4 (GW Add setting)				
		0x05	Error 5 (DNS1 Setting)				
		0x06	Error 6 (DNS2 Setting)				
		0x07	Error 7 (Sbnt Msk Setting)				
0x68	Speed Setting	0x00	100Mbps/Full Duplex	Yes	Yes	Enable	Enable
		0x01	100Mbps/Half Duplex				
		0x02	10Mbps/Full Duplex				
		0x03	10Mbps/Half Duplex				
		0x04	Auto				
0x25	Input Detect (Option1)	0x00	U3 (HD15)	No	Yes	Disable	Enable
		0x01	U1 (CVBS/Y, C)				
		0x02	U2 (BNC)				
		0x03	Reserved				
		0x04	UN				
		0x05	Reserved				
		0x06	Reserved				
		0x07	Reserved				
		0x08	Reserved				
		0x09	Reserved				
		0x0A	Reserved				
		0x0B	Reserved				
		0x0C	Reserved				
		0x0D	Reserved				
		0x0E	Reserved				
		0x0F	Not Connect				

(Continued)

Code Table(1-a)

[a]Function		[b]Range/Switch Code		Command Control	Enquiry	Standby	Power On
0x26	Auto Shut OFF	0x00	OFF	Yes	Yes	Disable	Enable
		0x01	ON				
0x27	Auto Screen Adjust	0x00	OFF	Yes	Yes	Disable	Enable
		0x01	ON				
0x30	PAP	0x00	OFF	Yes	Yes	Disable	Enable
		0x01	P&P				
		0x02	PinP				
0x31	Active Picture	0x00	Left (P&P)/Main (PinP)	Yes	Yes	Disable	Enable
		0x01	Right (P&P)/Sub (PinP)				
		0x02	Swap*2				
0x32	Picture Size (P&P)	0x00-0x0E		Yes	Yes	Disable	Enable
0x33	Sub Picture Size (PinP)	0x00	Large	Yes	Yes	Disable	Enable
		0x01	Small				
0x34	Picture Position (PinP)*3	0x00	Position1	Yes	Yes	Disable	Enable
		0x01	Position2				
		0x02	Position3				
		0x03	Position4				
0x35	PAP Input Detect*2 (Left/Main)	0x0A	INPUT2 RGB	No	Yes	Disable	Enable
		0x0B	INPUT2 COMPONENT				
		0x10	OPTION1 VIDEO				
		0x11	OPTION1 S VIDEO				
		0x12	OPTION1 RGB				
		0x13	OPTION1 COMPONENT				
		0x20	INPUT1 DVI				
0x36	PAP Input Detect*2 (Right/Sub)	0x0A	INPUT2 RGB	No	Yes	Disable	Enable
		0x0B	INPUT2 COMPONENT				
		0x10	OPTION1 VIDEO				
		0x11	OPTION1 S VIDEO				
		0x12	OPTION1 RGB				
		0x13	OPTION1 COMPONENT				
		0x20	INPUT1 DVI				

*1: Transmit the next command 10 seconds after Power On and Power Off commands are transmitted. If not, correct data may not be able to be acquired.

*2: The command of Option 2 slot is assigned to Option 1 slot because the BKM-FW32 is installed in Option 2 slot.

*3: For INPUT SELECT, PAP, and Active Picture (SWAP), check the busy state using a Busy to INPUT command.

*4: The Picture Position arrangement is as shown below.

1	2
3	4

IP Address

Syntax	Header	Category	Function	Data1	Data2	Data3	Data4	Data5	Check Sum
Control	0x8C	0x00	0x42	0x05	Address 00x00-0xFF	Address 1 0x00-0xFF	Address 2 0x00-0xFF	Address 3 0x00-0xFF	0xXX

Answer	Header	Answer	Check Sum
Control	0x70	0x00	0x70
	0x70	0x03	0x73

IP Address ex)

192.128.14.1 → 192 (0xC0) Address 0
 128 (0x80) Address 1
 14 (0x0E) Address 2
 1 (0x01) Address 3

* IP Address command can be carried out even in the standby state.

Code Table(1-a)

[a]Function	[b]Range/Switch code	Command Control	Enquiry	Standby	Power On
0x42	IP Address	Yes	Yes	Enable	Enable
0x45	Control Mode	Yes	Yes	Disable	Enable
	0x00 Main+Remocon				
	0x01 Main				
	0x02 Remocon				
	0x03 Both Disable				
0x46	On Off Timer Mode	Yes	Yes	Enable	Enable
	0x00 Every Day				
	0x01 Day Of Week				
0x47	On Timer Enable	Yes	Yes	Enable	Enable
	bit0 Sunday 1: Enable, 0: Disable				
	bit1 Monday 1: Enable, 0: Disable				
	bit2 Tuesday 1: Enable, 0: Disable				
	bit3 Wednesday 1: Enable, 0: Disable				
	bit4 Thursday 1: Enable, 0: Disable				
	bit5 Friday 1: Enable, 0: Disable				
	bit6 Saturday 1: Enable, 0: Disable				
	bit7 Every day 1: Enable, 0: Disable				
0x48	Off Timer Enable	Yes	Yes	Enable	Enable
	bit0 Sunday 1: Enable, 0: Disable				
	bit1 Monday 1: Enable, 0: Disable				
	bit2 Tuesday 1: Enable, 0: Disable				
	bit3 Wednesday 1: Enable, 0: Disable				
	bit4 Thursday 1: Enable, 0: Disable				
	bit5 Friday 1: Enable, 0: Disable				
	bit6 Saturday 1: Enable, 0: Disable				
	bit7 Every day 1: Enable, 0: Disable				

IP Address Setting

IP Address

Syntax	Header	Category	Function	Data1	Data2	Data3	Data4	Data5	Check Sum
Control	0x8C	0x00	0x42	0x05	Address 0 0x00-0xFF	Address 1 0x00-0xFF	Address 2 0x00-0xFF	Address 3 0x00-0xFF	0xXX

Subnet Mask

Syntax	Header	Category	Function	Data1	Data2	Data3	Data4	Data5	Check Sum
Control	0x8C	0x00	0x61	0x05	Address 0 0x00-0xFF	Address 1 0x00-0xFF	Address 2 0x00-0xFF	Address 3 0x00-0xFF	0xXX

Gateway Address

Syntax	Header	Category	Function	Data1	Data2	Data3	Data4	Data5	Check Sum
Control	0x8C	0x00	0x62	0x05	Address 0 0x00-0xFF	Address 1 0x00-0xFF	Address 2 0x00-0xFF	Address 3 0x00-0xFF	0xXX

DNS Primary

Syntax	Header	Category	Function	Data1	Data2	Data3	Data4	Data5	Check Sum
Control	0x8C	0x00	0x63	0x05	Address 0 0x00-0xFF	Address 1 0x00-0xFF	Address 2 0x00-0xFF	Address 3 0x00-0xFF	0xXX

DNS Secondary

Syntax	Header	Category	Function	Data1	Data2	Data3	Data4	Data5	Check Sum
Control	0x8C	0x00	0x64	0x05	Address 0 0x00-0xFF	Address 1 0x00-0xFF	Address 2 0x00-0xFF	Address 3 0x00-0xFF	0xXX

Answer	Header	Answer	Check Sum
Control	0x70	0x00	0x70
	0x70	0x03	0x73

IP Address ex)

192.128.14.1 → 192 (0xC0) Address 0
 128 (0x80) Address 1
 14 (0x0E) Address 2
 1 (0x01) Address 3

* IP Address command can be carried out even in the standby state.

Code Table(1-a)

[a]Function	[b]Range/Switch code	Command Control	Enquiry	Standby	Power On
0x42 IP Address		Yes	Yes	Enable	Enable
0x61 Subnet Mask		Yes	Yes	Enable	Enable
0x62 Gateway Address		Yes	Yes	Enable	Enable
0x63 DNS Primary		Yes	Yes	Enable	Enable
0x64 DNS Secondary		Yes	Yes	Enable	Enable

(b) Color Matrix

Syntax	Header	Category	Function	Data1	Data2	Data3	Data3	Check Sum
Control	0x8C	0x00	Code Table(1-b)[a]	0x04	Code Table(1-c)	Code Table(1-b)[b]	Code Table(1-d)	0xXX

Syntax	Header	Category	Function	Data1	Data2	Check Sum
Enquiry	0x83	0x00	Code Table(1-b)[a]	Code Table(1-c)	Code Table(1-d)	0xXX

Answer	Header	Answer	Check Sum
Control	0x70	0x00	0x70
	0x70	0x03	0x73

Answer	Header	Answer	Return to Data Size	Return Data1	Return Data2	Return Data3	Check Sum
Enquiry	0x70	0x00	0x04	Code Table(1-c)	Code Table(1-b)[b]	Code Table(1-d)	0xXX

Code Table(1-b)

[a]Function	[b]Range/Switch code	Command Control	Enquiry	Standby	Power On
0x1D Color Matrix	0x00 YCbCr	Yes	Yes	Disable	Enable
	0x01 YPbPr				

Code Table(1-c)

Format Select	
0x00	480p
0x01	1080i
0x02	720p
0x03	480i

Code Table(1-d)

Input Select	
0x00	Input2
0x01	Option1
0x02	Option2 (Invalid in FWD-42PV1 system)

(c) Time Control

Clock Set (Hour, Minute)

Syntax	Header	Category	Function	Data1	Data2	Data3	Check Sum
Control	0x8C	0x00	0x22	0x03	Hour: 0x00-0x17	Minute: 0x00-0x3B	0xXX

Syntax	Header	Category	Function	Data1	Data2	Check Sum
Enquiry	0x83	0x00	0x22	0xFF	0xFF	0xA3

Answer	Header	Answer	Check Sum
Control	0x70	0x00	0x70
	0x70	0x01	0x71
	0x70	0x02	0x72
	0x70	0x03	0x73

Answer	Header	Answer	Return to Data Size	Return Data1	Return Data2	Check Sum
Enquiry	0x70	0x00	0x03	Hour: 0x00-0x17*	Minute: 0x00-0x3B	0xXX

* Data of Hour: 0x80 and Minute: 0x00 is set as Return Data when a timer is not set after factory setting.

Clock Set (Week)

Syntax	Header	Category	Function	Data1	Data2	Check Sum
Control	0x8C	0x00	0x23	0x02	Week: Code Table(1-e)	0xXX

Syntax	Header	Category	Function	Data1	Data2	Check Sum
Enquiry	0x83	0x00	0x23	0xFF	0xFF	0xA4

Answer	Header	Answer	Check Sum
Control	0x70	0x00	0x70
	0x70	0x01	0x71
	0x70	0x02	0x72
	0x70	0x03	0x73

Answer	Header	Answer	Return to Data Size	Return Data1	Check Sum
Enquiry	0x70	0x00	0x02	Week: FCode Table (1-e)	0xXX

Code Table(1-e)

Week Select	
0x00	Sunday
0x01	Monday
0x02	Tuesday
0x03	Wednesday
0x04	Thursday
0x05	Friday
0x06	Saturday

On Timer, Off Timer

Syntax	Header	Category	Function	Data1	Data2	Data3	Check Sum
Control	0x8C	0x00	Code Table(1-f)[a]	0x03	Hour: 0x00-0x17	Minute: 0x00-0x3B	0xXX

Syntax	Header	Category	Function	Data1	Data2	Check Sum
Enquiry	0x83	0x00	Code Table(1-f)[a]	0xFF	0xFF	0XX

Answer	Header	Answer	Check Sum
Control	0x70	0x00	0x70 Completed
	0x70	0x01	0x71 Limit Over
	0x70	0x02	0x72 Limit Under
	0x70	0x03	0x73 Command Canceled

Answer	Header	Answer	Return to Data Size	Return Data1	Return Data2	Check Sum
Enquiry	0x70	0x00	0x03	Hour: 0x00-0x17	Minute: 0x00-0x3B	0xXX Completed

Code Table(1-f)

[a]Function	[b]Range/Switch code	Command Control	Enquiry	Standby	Power On
Picture Inversion					
0x20	Invert Start Time	Yes	Yes	Disable	Enable
0x21	Invert End Time				
Clock Set					
0x22	Hour, Minute	Yes	Yes	Disable	Enable
0x23	Week				
On Timer					
0x50	Sunday	Yes	Yes	Disable	Enable
0x51	Monday				
0x52	Tuesday				
0x53	Wednesday				
0x54	Thursday				
0x55	Friday				
0x56	Saturday				
0x57	Every day				
Off Timer					
0x58	Sunday	Yes	Yes	Disable	Enable
0x59	Monday				
0x5A	Tuesday				
0x5B	Wednesday				
0x5C	Thursday				
0x5D	Friday				
0x5E	Saturday				
0x5F	Every day				

5. Picture/Sound

(a) Picture/Sound

Syntax	Header	Category	Function	Data1	Data2	Check Sum
Control	0x8C	0x10	Code Table(2-a)[a]	0x02	0Code Table(2-a)[b]	0xXX
Enquiry	0x83			0xFF	0xFF	0xXX

Answer	Header	Answer	Check Sum
Control	0x70	0x00	0x70
	0x70	0x01	0x71
	0x70	0x02	0x72
	0x70	0x03	0x73

Answer	Header	Answer	Return to Data Size	Return Data1	Check Sum
Enquiry	0x70	0x00	0x02	Code Table(2-a)[b]	0xXX

Code Table(2-a)

[a]Function		[b]Range/Switch code		Command Control	Enquiry	Standby	Power On
0x00	Contrast	0x00-0x64		Yes	Yes	Disable	Enable
0x01	Brightness	0x00-0x64		Yes	Yes	Disable	Enable
0x02	Chroma	0x00-0x32		Yes	Yes	Disable	Enable
0x03	Phase	0x00-0x64		Yes	Yes	Disable	Enable
0x04	Color Temp	0x00	Cool	Yes	Yes	Disable	Enable
		0x01	Natural				
		0x02	Warm				
		0x03	User1				
		0x04	User2				
		0x05	User3				
0x09	Sharpness	0x00-0xFF	0x14	Yes	Yes	Disable	Enable
0x0A	NR	0x00	OFF	Yes	Yes	Disable	Enable
		0x01	Low				
		0x02	Mid				
		0x03	High				
0x0C	Dynamic Picture	0x00	ON	Yes	Yes	Disable	Enable
		0x01	OFF				
0x0E	Gamma Correct	0x00	High	Yes	Yes	Disable	Enable
		0x01	Mid				
		0x02	Low				
0x10	Picture Mode	0x00	Standard	Yes	Yes	Disable	Enable
		0x01	Vivid				
		0x02	User1				
		0x03	User2				
		0x04	User3				
0x30	Volume	0x00-0x64		Yes	Yes	Enable	Enable
0x31	Treble	0x00-0x64		Yes	Yes	Disable	Enable
0x32	Bass	0x00-0x64		Yes	Yes	Disable	Enable
0x33	Balance	0x00-0x64		Yes	Yes	Disable	Enable
0x34	Surround	0x00	OFF	Yes	Yes	Disable	Enable
		0x01	Hall				
		0x02	Simulate				

(b) Color Temp

Syntax	Header	Category	Function	Data1	Data2	Data3	Check Sum
Control	0x8C	0x10	Code Table(2-b)[a]	0x03	Code Table(2-c)	Code Table(2-b)[b]	0xXX

Syntax	Header	Category	Function	Data1	Data2	Check Sum
Enquiry	0x83	0x10	Code Table(2-b)[a]	Code Table(2-c)	0xFF	0XX

Answer	Header	Answer	Check Sum
Control	0x70	0x00	0x70 Completed
	0x70	0x03	0x73 Command Canceled

Answer	Header	Answer	Return to Data Size	Return Data1	Return Data2	Check Sum
Enquiry	0x70	0x00	0x03	Code Table(2-c)	Code Table(2-b)[b]	0XX Completed

Code Table(2-b)

[a]Function	[b]Range/Switch code	Command Control	Enquiry	Standby	Power On
0x05 Red Gain	0x00-0x1E	Yes	Yes	Disable	Enable
0x06 Green Gain	0x00-0x1E				
0x07 Blue Gain	0x00-0x1E				

Code Table(2-c)

Format Select
0x03 User1
0x04 User2
0x05 User3

6. Size/Shift

(a) 8Bits Register

Syntax	Header	Category	Function	Data1	Data2	Check Sum
Control	0x8C	0x20	Code Table(3-b)[a]	0x02	Code Table(3-b)[b]	0xXX
Enquiry	0x83			0xFF	0xFF	0XX

Answer	Header	Answer	Check Sum
Control	0x70	0x00	0x70 Completed
	0x70	0x01	0x71 Limit Over
	0x70	0x02	0x72 Limit Under
	0x70	0x03	0x73 Command Canceled

Answer	Header	Answer	Return to Data Size	Return Data1	Check Sum	
Enquiry	0x70	0x00	0x02	Code Table(3-b)[b]	0xXX	Completed

Code Table(3-b)

[a]Function	[b]Range/Switch code	Command Control	Enquiry	Standby	Power On		
0x00	H Size	0x00-0x3C	Yes	Yes	Disable	Enable	
0x01	H Shift	0x00-0x3C	Yes	Yes	Disable	Enable	
0x02	V Size	0x00-0x3C	Yes	Yes	Disable	Enable	
0x03	V Shift	0x00-0x3C	Yes	Yes	Disable	Enable	
0x04	Aspect	0x00	Wide Zoom	Yes	Yes	Disable	Enable
		0x01	Zoom				
		0x02	Full				
		0x03	Sub Title				
		0x04	Normal				
0x05	Multi Display	0x00	OFF	Yes	Yes	Disable	Enable
		0x01	x2				
		0x02	x3				
		0x03	x4				
0x06	Auto Adjust	0xFF	Execute	Yes	No	Disable	Enable
0x07	Dot Phase	0x00-0x1F	Yes	Yes	Disable	Enable	
0x08	Auto Wide	0x00	OFF	Yes	Yes	Disable	Enable
		0x01	Auto				
0x09	4:3 Mode	0x00	Normal	Yes	Yes	Disable	Enable
		0x01	Wide Zoom				
0x0B	Multi Position (x2)*	0x00	Position1	Yes	Yes	Disable	Enable
		0x01	Position2				
		0x02	Position3				
		0x03	Position4				
0x0C	Multi Position (x3)*	0x00	Position1	Yes	Yes	Disable	Enable
		0x01	Position2				
		0x02	Position3				
		0x03	Position4				
		0x04	Position5				
		0x05	Position6				
		0x06	Position7				
		0x07	Position8				
		0x08	Position9				

Code Table(3-b)

[a]Function		[b]Range/Switch code		Command Control	Enquiry	Standby	Power On
0x0D	Multi Position (×4)*	0x00	Position1	Yes	Yes	Disable	Enable
		0x01	Position2				
		0x02	Position3				
		0x03	Position4				
		0x04	Position5				
		0x05	Position6				
		0x06	Position7				
		0x07	Position8				
		0x08	Position9				
		0x09	Position10				
		0x0A	Position11				
		0x0B	Position12				
		0x0C	Position13				
		0x0D	Position14				
		0x0E	Position15				
		0x0F	Position16				

* Arrangement of Multi Position.

Multi Position (×2)

1	2
3	4

Multi Position (×3)

1	2	3
4	5	6
7	8	9

Multi Position (×4)

1	2	3	4
5	6	7	8
9	10	11	12
13	14	15	16

7. Status Enquiry

(a) Model Name

Syntax	Header	Category	Function	Data1	Data2	Check Sum
Enquiry	0x83	0x30	0x00	0xFF	0xFF	0xB1

Answer	Header	Answer	Return to Data Size	Return Data1	Check Sum
Enquiry	0x70	0x00	0x02	Code Table(4-a)	0xFF Completed

Code Table(4-a)

Format Select
0x22 FWD-42PV1

(b) Serial Number

Syntax	Header	Category	Function	Data1	Data2	Check Sum
Enquiry	0x83	0x30	0x01	0xFF	0xFF	0xB2

Answer	Header	Answer	Return to Data Size	Return Data1	Return Data2	Return Data3	Return Data4	Check Sum	
Enquiry	0x70	0x00	0x05	Upper 8bit Data	MiddleUpper Data	MiddleLower Data	Lower 8bit Data	0xFF	Completed

Return Data1-Data4: 0x001E8480-0x002DC6BF (2,000,000-2,999,999)

(c) Operation Time

Syntax	Header	Category	Function	Data1	Data2	Check Sum
Enquiry	0x83	0x30	0x02	0xFF	0xFF	0xB3

Answer	Header	Answer	Return to Data Size	Return Data1	Return Data2	Return Data3	Return Data4	Check Sum	
Enquiry	0x70	0x00	0x05	Upper 8bit Data	MiddleUpper Data	MiddleLower Data	Lower 8bit Data	0xFF	Completed

Return Data1-Data4: 0x00000000-0xD693A3FF (0sec.-3,599,999,999sec.)

(d) Soft Version (Main CPU)

Syntax	Header	Category	Function	Data1	Data2	Check Sum
Enquiry	0x83	0x30	0x03	0xFF	0xFF	0xB4

Answer	Header	Answer	Return to Data Size	Return Data1	Return Data2	Check Sum	
Enquiry	0x70	0x00	0x03	Upper 8bit Data	Lower 8bit Data	0xFF	Completed

Return Data1-Data2: 0x0000-0xFFFF
ex) In Version0.100, it is set to 01 and 00.

(e) 8bits Register

Syntax	Header	Category	Function	Data1	Data2	Check Sum
Enquiry	0x83	0x30	Code Table(4-b)	0xFF	0xFF	0xFF

Answer	Header	Answer	Return to Data Size	Return Data1	Check Sum	
Enquiry	0x70	0x00	0x02	Code Table(4-b)	0xFF	Completed

Code Table(4-b)

Function	Return Data	Unit
0x07	Digital 3.3 V	0x00-0xFF
0x09	Digital 5 V	0x00-0xFF
0x0A	Temp1	0x00-0xFF
0x10	Analog 5 V/9 V	0x00-0xFF 5 V voltage out

(f) Shutdown Log

Syntax	Header	Category	Function	Data1	Data2	Check Sum
Enquiry	0x83	0x30	0x11	0xFF	0xFF	0xC2

Answer	Header	Answer	Return to Data Size	Return Data1	Check Sum	
Enquiry	0x70	0x00	0x02	Shutdown Log Code Table(4-c)	0xFF	Completed

Return Data1: 0x00–0xFF

Code Table(4-c)

Shutdown Information		
bit0	Reserved	
bit1	1: FAN movement abnormal	0: Normal
bit2	1: Panel communication abnormal	0: Normal
bit3	1: Temperature sensor abnormal	0: Normal
bit4	1: Main power abnormal	0: Normal
bit5	1: Digital power abnormal (3.3 V, 5 V)	0: Normal
bit6	1: Analog power abnormal (12 V, 9 V)	0: Normal
bit7	Reserved	

Code Table(4-d)

[a]Function		[b]Range/Switch code	Command Control	Enquiry	Standby	Power On
0x00	Model Name	0x08-0x09	No	Yes	Enable	Enable
0x01	Serial Number	0x001E8480-0x002DC6BF	Yes (2,000,000–2,999,999)	Yes	Enable	Enable
0x02	Operation Time	0x00000000-0xD693A3FF (0sec.–3,599,999,999sec.)	Yes	Yes	Enable	Enable
0x03	Soft Version (Main)	0x0000-0xFFFF	No	Yes	Enable	Enable
0x07	Digital 3.3 V	0x00-0xFF	No	Yes	Enable	Enable
0x08	MainPower (Vs)	0x00-0xFF	No	Yes	Enable	Enable
0x09	Digital 5 V	0x00-0xFF	No	Yes	Enable	Enable
0x0A	Temp1	0x00-0xFF	No	Yes	Enable	Enable
0x0B	Temp2	0x00-0xFF	No	Yes	Enable	Enable
0x0C	Temp3	0x00-0xFF	No	Yes	Enable	Enable
0x0D	Temp (P/S)	0x00-0xFF	No	Yes	Enable	Enable
0x10	Analog9 V	0x00-0xFF	No	Yes	Enable	Enable
0x11	Shutdown Log	0x00-0xFF	No	Yes	Enable	Enable
0x12	Digital 3.3 V (Failure)	0x00-0xFF	No	Yes	Enable	Enable
0x13	Digital 5 V (Failure)	0x00-0xFF	No	Yes	Enable	Enable
0x14	Analog 5 V/9 V (Failure)	0x00-0xFF	No	Yes	Enable	Enable
0x15	MainPower (Va)	0x00-0xFF	No	Yes	Enable	Enable
0x16	AnalogPower 12 V	0x00-0xFF	No	Yes	Enable	Enable

* Busy to INPUT should be judged by Busy → Non Busy. Busy to INPUT may be incorrectly judged during start when it is judged by only Non Busy.

8. User Reset

Syntax	Header	Category	Function	Data1	Data2	Check Sum
Control	0x8C	0x50	Code Table(5)	0x02	0xFF	0XX

Answer	Header	Answer	Check Sum
Control	0x70	0x00	0x70 Completed
	0x70	0x03	0x73 Command Canceled

Code Table(5)

Function	Range/Switch code	Command Control	Enquiry	Standby	Power On	
0x00	Picture Reset	Yes	No	Disable	Enable	
0x01	Audio Reset	Yes	No	Disable	Enable	
0x02	Size Reset	Size, Shift, Dot Clock, Phase	Yes	No	Disable	Enable
0x03	Picture Reset2	Contrast, Brightness, Chroma, Phase	Yes	No	Disable	Enable

このマニュアルに記載されている事柄の著作権は当社にあります。

従って、当社の許可なしに無断で複写したり、説明内容(操作、保守等)と異なる目的で本マニュアルを使用することを禁止します。

The material contained in this manual consists of information that is the property of Sony Corporation. Sony Corporation expressly prohibits the duplication of any portion of this manual or the use thereof for any purpose other than the operation or maintenance of the equipment described in this manual without the express written permission of Sony Corporation.

Le matériel contenu dans ce manuel consiste en informations qui sont la propriété de Sony Corporation. Sony Corporation interdit formellement la copie de quelque partie que ce soit de ce manuel ou son emploi pour tout autre but que des opérations ou entretiens de l'équipement à moins d'une permission écrite de Sony Corporation.

Das in dieser Anleitung enthaltene Material besteht aus Informationen, die Eigentum der Sony Corporation sind. Die Sony Corporation untersagt ausdrücklich die Vervielfältigung jeglicher Teile dieser Anleitung oder den Gebrauch derselben für irgendeinen anderen Zweck als die Bedienung oder Wartung der in dieser Anleitung beschriebenen Ausrüstung ohne ausdrückliche schriftliche Erlaubnis der Sony Corporation.

FWD-42PV1 (SY)
FWD-42PV1P (SY)
FWD-42PV1A (SY) E
9-878-352-01

Sony Corporation

Printed in Japan
2005. 7 22
©2005

Free Manuals Download Website

<http://myh66.com>

<http://usermanuals.us>

<http://www.somanuals.com>

<http://www.4manuals.cc>

<http://www.manual-lib.com>

<http://www.404manual.com>

<http://www.luxmanual.com>

<http://aubethermostatmanual.com>

Golf course search by state

<http://golfingnear.com>

Email search by domain

<http://emailbydomain.com>

Auto manuals search

<http://auto.somanuals.com>

TV manuals search

<http://tv.somanuals.com>