

# SONY®

4-163-340-11(1)

# Wireless Surround Kit

Operating Instructions\_\_\_\_\_ **US**

Mode d'emploi\_\_\_\_\_ **FR**

Manual de instrucciones\_\_\_\_\_ **ES**

WAHT-SA20

**S-master**  
Digital Amplifier

**S-AIR**  
DIGITAL WIRELESS

©2010 Sony Corporation

Download from [Www.Somanuals.com](http://Www.Somanuals.com). All Manuals Search And Download.

## Table of Contents

Overview .....	5
Unpacking .....	6
Hooking Up .....	6
Setting Up the Wireless System .....	8
Troubleshooting .....	11
Specifications .....	12
Index to Parts .....	14

## WARNING

### To reduce the risk of fire or electric shock, do not expose this apparatus to rain or moisture.

Do not install the appliance in a confined space, such as a bookcase or built-in cabinet.

To reduce the risk of fire, do not cover the ventilation opening of the apparatus with newspapers, tablecloths, curtains, etc.

Do not place the naked flame sources such as lighted candles on the apparatus.

To reduce the risk of fire or electric shock, do not expose this apparatus to dripping or splashing, and do not place objects filled with liquids, such as vases, on the apparatus.

Indoor use only.

### For the customers in the U.S.A.



This symbol is intended to alert the user to the presence of uninsulated "dangerous voltage" within the product's enclosure that may be of sufficient magnitude to constitute a risk of electric shock to persons.



This symbol is intended to alert the user to the presence of important operating and maintenance (servicing) instructions in the literature accompanying the appliance.

### Owner's Record

The model and serial numbers are located on the rear panel of the unit. Record the serial number in the space provided below. Refer to them whenever you call upon your Sony dealer regarding this product.

Model No. WAHT-SA20

Serial No. \_\_\_\_\_

The following FCC statement applies only to the version of this model manufactured for sale in the U.S.A. Other versions may not comply with FCC technical regulations.

#### NOTE:

This equipment has been tested and found to comply with the limits for a Class B digital device, pursuant to Part 15 of the FCC Rules. These limits are designed to provide reasonable protection against harmful interference in a residential installation. This equipment generates, uses and can radiate radio frequency energy and, if not installed and used in accordance with the instructions, may cause harmful interference to radio communications. However, there is no guarantee that interference will not occur in a particular installation.


If this equipment does cause harmful interference to radio or television reception, which can be determined by turning the equipment off and on, the user is encouraged to try to correct the interference by one or more of the following measures:

- Reorient or relocate the receiving antenna (aerial).
- Increase the separation between the equipment and receiver.
- Connect the equipment into an outlet on a circuit different from that to which the receiver is connected.
- Consult the dealer or an experienced radio/TV technician for help.

## CAUTION

You are cautioned that any changes or modifications not expressly approved in this manual could void your authority to operate this equipment.

### Important Safety Instructions

- 1) Read these instructions.
  - 2) Keep these instructions.
  - 3) Heed all warnings.
  - 4) Follow all instructions.
  - 5) Do not use this apparatus near water.
  - 6) Clean only with dry cloth.
  - 7) Do not block any ventilation openings. Install in accordance with the manufacturer's instructions.
  - 8) Do not install near any heat sources such as radiators, heat registers, stoves, or other apparatus (including amplifiers) that produce heat.
  - 9) Do not defeat the safety purpose of the polarized or grounding-type plug. A polarized plug has two blades with one wider than the other. A grounding type plug has two blades and a third grounding prong. The wide blade or the third prong are provided for your safety. If the provided plug does not fit into your outlet, consult an electrician for replacement of the obsolete outlet.
  - 10) Protect the power cord from being walked on or pinched particularly at plugs, convenience receptacles, and the point where they exit from the apparatus.
  - 11) Only use attachments/accessories specified by the manufacturer.
  - 12) Use only with the cart, stand, tripod, bracket, or table specified by the manufacturer, or sold with the apparatus. When a cart is used, use caution when moving the cart/apparatus combination to avoid injury from tip-over.
- 
- 13) Unplug this apparatus during lightning storms or when unused for long periods of time.
  - 14) Refer all servicing to qualified service personnel. Servicing is required when the apparatus has been damaged in any way, such as power-supply cord or plug is damaged, liquid has been spilled or objects have fallen into the apparatus, the apparatus has been exposed to rain or moisture, does not operate normally, or has been dropped.

### For the wireless transceiver (EZW-RT10/EZW-RT10A)

This equipment must not be co-located or operated in conjunction with any other antenna or transmitter.

This equipment complies with FCC radiation exposure limits set forth for uncontrolled equipment and meets the FCC radio frequency (RF) Exposure Guidelines in Supplement C to OET65.

This equipment should be installed and operated with at least 20cm and more between the radiator and person's body (excluding extremities: hands, wrists, feet and ankles).

### For the customers in Canada For the wireless transceiver (EZW-RT10/EZW-RT10A)

This Class B digital apparatus complies with Canadian ICES-003.

This device complies with RSS-Gen of IC Rules. Operation is subject to the following two conditions: (1) this device may not cause interference, and (2) this device must accept any interference, including interference that may cause undesired operation of this device.

This equipment complies with IC radiation exposure limits set forth for uncontrolled equipment and meets RSS-102 of the IC radio frequency (RF) Exposure rules.

This equipment should be installed and operated with at least 20cm and more between the radiator and person's body (excluding extremities: hands, wrists, feet and ankles).

US

## Precautions

### On power sources

- The unit is not disconnected from the mains as long as it is connected to the AC outlet, even if the unit itself has been turned off.
- As the main plug is used to disconnect the unit from the mains, connect the unit to an easily accessible AC outlet. Should you notice an abnormality in the unit, disconnect the main plug from the AC outlet immediately.

### On placement

- Do not place the system in locations that are hot and subject to direct sunlight, dusty, very humid, or extremely cold.
- Use caution when placing the system on a specially treated (waxed, oiled, polished, etc.) floor, as staining or discoloration may result.
- Allow adequate air circulation to prevent internal heat buildup.
- Do not place the system on surfaces (rugs, blankets, etc.) or near materials (curtains, draperies) that may block the ventilation slots.
- Do not install the system near heat sources such as radiators or air ducts, or in a place subject to direct sunlight, excessive dust, mechanical vibration or shock.
- Do not install the system in an inclined position. It is designed to be operated in a horizontal position only.
- Keep the system away from equipment with strong magnets, such as microwave ovens, or large loudspeakers.
- Do not place heavy objects on the system.
- If you use more than one set of S-AIR products, position them away from each other to avoid cross talk.
- Install this surround amplifier and S-AIR products at least 50 cm away from people.
- To prevent fire or shock hazard, do not place objects filled with liquids, such as vases, on the apparatus.
- Do not place the system on carpet, as discoloration may result.
- If you use more than one surround amplifier, do not place one on top of the other.

## On cleaning

Clean the cabinets only with a soft dry cloth. Do not use any type of abrasive pad, scouring powder or solvent such as alcohol or benzene.

### Safety

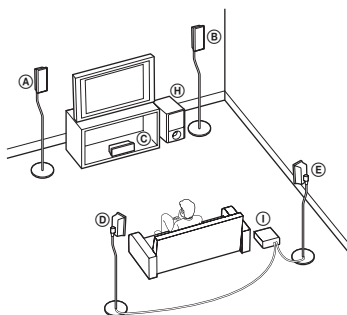
- If anything falls into the cabinet, unplug the unit and have it checked by qualified personnel before operating it any further.
- Unplug the unit from the wall outlet (mains) if you do not intend to use it for an extended period of time. To disconnect the cord, pull it out by the plug, never by the cord.

## Overview

This surround amplifier allows you to use a 5.1 channel system (five speakers and one subwoofer) or 7.1 channel system (seven speakers and one subwoofer).

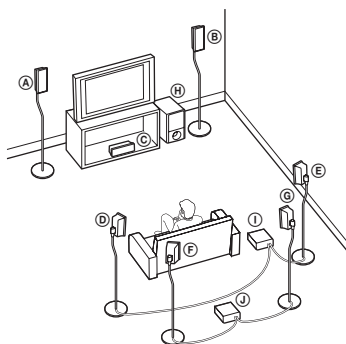
## Enjoying a 5.1 channel system

S-AIR can avoid cluttered cords to keep your room tidy.



## Enjoying a 7.1 channel system

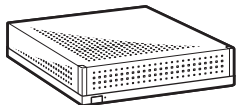
S-AIR makes possible a 7.1 channel system, using two surround and two surround back speakers.



- Ⓐ Front left speaker
- Ⓑ Front right speaker
- Ⓒ Center speaker
- Ⓓ Surround left speaker
- Ⓔ Surround right speaker
- Ⓕ Surround back left speaker
- Ⓖ Surround back right speaker
- Ⓗ Subwoofer
- Ⓘ Surround amplifier  
(for surround speakers)
- ⓵ Surround amplifier  
(for surround back speakers)

## Unpacking

### Surround amplifier (TA-SA200WR) (1)



### Wireless transceiver (EZW-RT10/EZW-RT10A) (1)



### Speaker cords (2)



### Operating Instructions (1)

## Hooking Up

Connect the surround amplifier to your S-AIR main unit.

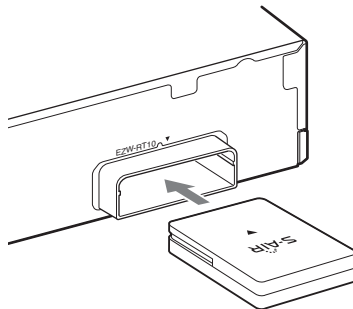
**Before installing, make sure to remove the AC power cords (mains leads) of all S-AIR products from wall outlets (mains).**

**1** Insert the wireless transceiver (supplied) in the slot on the rear of the surround amplifier.

#### Note

- Do not touch the terminals of the wireless transceiver.
- Match the direction of the ▼ marks.
- Do not insert anything other than the wireless transceiver into the EZW-RT10 slot.

Rear panel of the surround amplifier

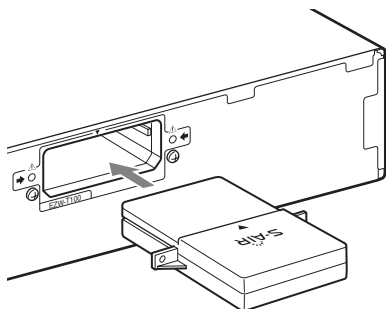


## 2 Insert the wireless transmitter in the slot on the S-AIR main unit.

For S-AIR main units that do not include a wireless transmitter, prepare the optional S-AIR Adapter (EZW-T100).

For details, refer to the operating instructions of the S-AIR main unit. The illustration of the rear panel of an S-AIR main unit is an example. Not all S-AIR main units look exactly the same.

Rear panel of the S-AIR main unit

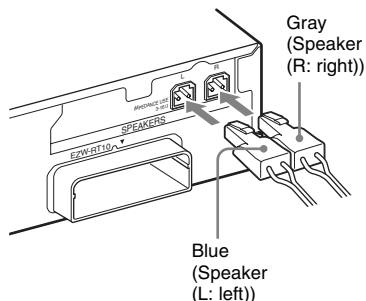


## 3 Connect the speakers.

Connect the speaker cords to match the color of the SPEAKERS jacks of the unit.

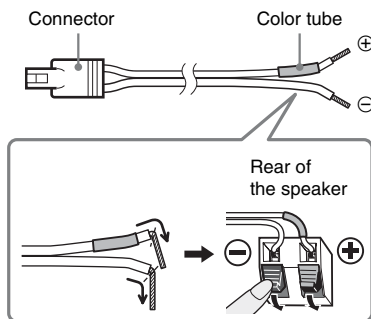
### ■ To connect the speaker cords to the surround amplifier

When connecting to the surround amplifier, insert the connector until it clicks.



### ■ To connect the speaker cords to the speakers

Be sure to match the speaker cords to the appropriate terminals on the speakers: the speaker cord with the color tube to  $\oplus$ , and the speaker cord without the color tube to  $\ominus$ . Do not catch the speaker cord insulation in the speaker terminals.



**Note**

- Do not connect the speaker cords supplied with the Wireless Surround Kit to any of the speaker jacks on your S-AIR main unit.

## **4 Connect the AC power cords (mains leads).**

Before connecting the AC power cords (mains leads) of your S-AIR main unit and the surround amplifier to wall outlets (mains), make sure that all speakers are connected.

## **Setting Up the Wireless System**

To use the wireless system, you need to set up the surround amplifier and your S-AIR main unit. Before setting, make sure that the wireless adapters are correctly inserted in the S-AIR main unit and surround amplifier.

---

### **Setting up the S-AIR main unit**

For details on using the S-AIR main unit, refer to the operating instructions of the S-AIR main unit.

#### **1 Turn on the S-AIR main unit.**

The system turns on.

#### **2 Set up the S-AIR main unit so it is ready for ID setting.**

#### **3 Select the ID for the S-AIR main unit.**

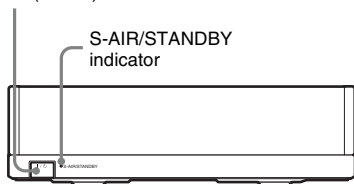
You can select any ID (A, B, or C).



## Setting up the surround amplifier

### Front panel

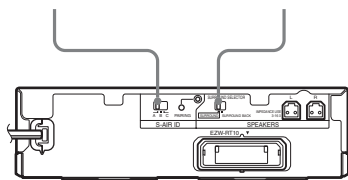
I/⏻ (Power)



### Rear panel

S-AIR ID switch

SURROUND  
SELECTOR switch



## 1 Set the SURROUND SELECTOR switch as follows.

5.1 channel system: SURROUND

7.1 channel system

for surround speakers: SURROUND

for surround back speakers:

SURROUND BACK

For more information on multi-channel surround systems, see “Overview” (page 5).

## 2 Set the S-AIR ID switch of the surround amplifier to match the ID (A, B, or C) of the S-AIR main unit.

## 3 Press I/⏻ (Power) on the surround amplifier.

The S-AIR/STANDBY indicator turns green. If not, see “Checking the transmission status” (page 9) and “Troubleshooting” (page 11).

## 4 Set up the speakers.

If the S-AIR main unit has the Auto Calibration function, perform Auto Calibration.

If the S-AIR main unit does not have the Auto Calibration function, perform the appropriate speaker setting.

## Checking the transmission status

You can check the status of sound transmission between the S-AIR main unit and surround amplifier by checking the S-AIR/STANDBY indicator on the surround amplifier.

S-AIR/ STANDBY indicator	Status
Turns green.	The system is turned on, wireless transmission is activated and surround signals are transmitting.
Flashes green quickly.	The system is turned on and wireless transmission is activated, but surround signals are not transmitting.
Flashes green slowly.	The system is turned on and wireless transmission is deactivated.
Turns red.	The surround amplifier is in standby mode while the system is in standby mode or wireless transmission is deactivated.
Turns off.	The surround amplifier is turned off.

S-AIR/ STANDBY indicator	Status
Flashes orange.	The wireless transceiver is not connected to the surround amplifier.
Flashes red.	The surround amplifier's protection is active.

### About the standby mode

The surround amplifier enters standby mode automatically (the S-AIR/STANDBY indicator turns red) when the main unit is in standby mode or wireless transmission is deactivated.

The surround amplifier is turned on automatically (the S-AIR/STANDBY indicator turns green) when the system is turned on and wireless transmission is activated.

For details, see "Troubleshooting" (page 11).

#### Note

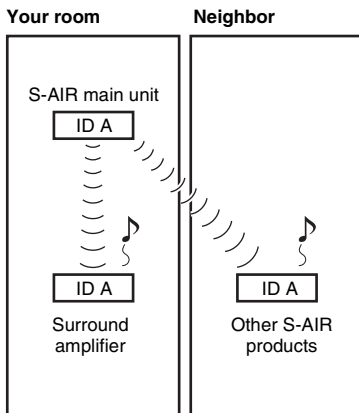
- Depending on the main unit, the surround amplifier may not enter standby mode automatically or may not turn on automatically. In this case, press I/⏻ (Power) on the surround amplifier to change the power mode.

## Preventing transmission to neighbors (Pairing)

If your neighbors also have S-AIR products and their IDs are the same as yours, your neighbors could receive the sound of your S-AIR main unit. To prevent this, you can identify your S-AIR products by performing the pairing operation.

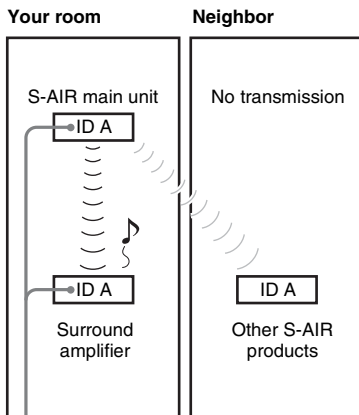
### ■ Before the pairing operation (example)

The sound transmission is established by the ID.



### ■ After the pairing operation (example)

Sound transmission is established between the surround amplifier and the S-AIR main unit that performed the pairing operation.



Pairing

**1** Turn on the S-AIR main unit and the surround amplifier.

The system turns on.

**2** Match the IDs of the S-AIR main unit and the surround amplifier.

### 3 Set up the S-AIR main unit so it is ready for pairing.

For details, refer to the operating instructions of the S-AIR main unit. The S-AIR/STANDBY indicator on the surround amplifier flashes green.

### 4 Press PAIRING on the rear panel of the surround amplifier.

The PAIRING indicator flashes when pairing starts.

When sound transmission is established, the S-AIR/STANDBY indicator turns green and the PAIRING indicator turns on.

If you use more than one surround amplifier, perform Steps 3 and 4 for those also.

#### Tip

- To press PAIRING, a slim instrument, such as a paper clip, can be used.

### To cancel pairing

Change the IDs of the S-AIR main unit and the surround amplifier (page 8).

## Troubleshooting

If you experience any of the following difficulties while using the system, use this troubleshooting guide to help remedy the problem before requesting repairs. Should any problem persist, consult your nearest Sony dealer.

Note that if service personnel changes some parts during repair, these parts may be retained.

In the event of a problem with the surround amplifier, have a Sony dealer check the entire system together (S-AIR main unit, speakers, and wireless adapters).

### Sound

**There is no sound.**

**Check the status of the S-AIR/STANDBY indicator on the surround amplifier.**

- Turns off.
  - Check that the AC power cord (mains lead) of the surround amplifier is connected securely.
  - Turn the surround amplifier on by pressing **I/C** on the surround amplifier.
- Flashes orange.
  - Check that the wireless transceiver is inserted into the surround amplifier correctly.
- Flashes green quickly.
  - Change the S-AIR ID settings of the S-AIR main unit and surround amplifier.
    - ➔When you use this system with surround speakers:
      - Set the SURROUND SELECTOR switch of the surround amplifier to SURROUND.
      - ➔When you use this system with surround back speakers:
        - Set [Surround Back] in [Speaker Settings] of the S-AIR main unit to [Yes]. For details, refer to the operating instructions of the S-AIR main unit.
- Flashes red.
  - Press **I/C** to turn off the surround amplifier, and check the following items.
    - ① Are the + and - speaker cords short-circuited?
    - ② Is anything blocking the ventilation holes of the surround amplifier?After checking the above items and fixing any problems, turn on the surround amplifier. If the cause of the problem cannot be found

- even after checking all the above items, consult your nearest Sony dealer.
- Flashes green slowly or turns red.
    - Confirm the S-AIR IDs of the S-AIR main unit and surround amplifier.
    - Confirm the pairing setting.
    - Sound transmission is poor. Move the surround amplifier so that the S-AIR/STANDBY indicator turns green.
    - Move the system away from other wireless devices.
    - Avoid using any other wireless devices.
  - Turns green.
    - Check the speaker connections and settings.
    - Depending on the source or the settings of the S-AIR main unit, the effect of the speakers may be less noticeable.

---

**There is no sound or noise is heard, or sound skips.**

- If you use another S-AIR main unit, place it more than 8 m (about 25 feet) away from the other S-AIR main unit you are using.
- Place the S-AIR main unit and surround amplifier closer together.
- Avoid use of equipment that generates electromagnetic energy, such as a microwave oven.
- Place the S-AIR main unit and surround amplifier away from other wireless devices.
- Change the S-AIR ID settings of the S-AIR main unit and surround amplifier.
- Turn off the S-AIR main unit and surround amplifier, then turn them on.

---

**Wireless transmission is not activated. (The S-AIR/STANDBY indicator flashes green slowly or turns red.)**

- Confirm the S-AIR IDs of the S-AIR main unit and surround amplifier.
- Confirm the pairing setting.
- Sound transmission is poor. Move the surround amplifier so that the indicator turns green.
- Move the system away from other wireless devices.
- Avoid using any other wireless devices.

---

**Operation**

**The system does not work normally.**

- Disconnect the AC power cord (mains lead) from the wall outlet (mains), then reconnect after several minutes.

## Specifications

### Surround amplifier (TA-SA200WR)

#### Amplifier Section

#### AUDIO POWER SPECIFICATIONS

##### POWER OUTPUT AND TOTAL

##### HARMONIC DISTORTION:

(FTC)	With 3 ohm loads, both channels driven, from 120 - 20,000 Hz; rated 45 watts per channel minimum RMS power, with no more than 1% total harmonic distortion from 250 milli watts to rated output.
for the US model	

##### U.S. models:

##### POWER OUTPUT (reference):

167 W (per channel at 3 ohms, 1 kHz)

##### Other models:

##### POWER OUTPUT (rated):

80 W + 80 W (at 3 ohms, 1 kHz, 1% THD)

##### POWER OUTPUT (reference):

167 W (per channel at 3 ohms, 1 kHz)

Rated impedance 3 - 16 Ω

#### General

Power requirements	120 V AC, 60 Hz
Power consumption	50 W
Standby power consumption	0.9 W (standby mode) 0.13 W (turned off)

Dimensions (approx.)	206 mm × 60 mm × 256 mm (8 1/8 in × 2 3/8 in × 10 1/8 in) (w/h/d) with the wireless transceiver inserted
Mass (approx.)	1.3 kg (2 lb 14 oz)

### **Wireless transceiver (EZW-RT10/EZW-RT10A)**

Communication system	S-AIR Specification version 1.0
Frequency band	2.4000 GHz - 2.4835 GHz
Modulation method	DSSS
Power requirements	DC 3.3 V, 350 mA
Dimensions (approx.)	50 mm × 13 mm × 60 mm (2 in × 17/32 in × 2 3/8 in) (w/h/ d)
Mass (approx.)	24 g (1 oz)

Design and specifications are subject to change without notice.

“S-AIR” and its logo are trademarks of Sony Corporation.

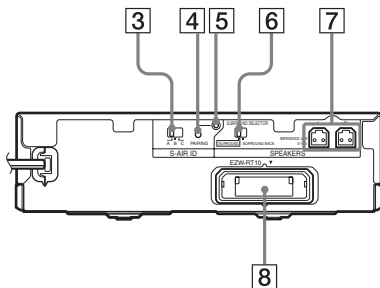
- Standby power consumption 0.13 W
- Halogenated flame retardants are not used in the certain printed wiring boards.
- Over 85% power efficiency of amplifier block is achieved with the full digital amplifier, S-master.
- Packaging cushions are made from paper.

## Surround amplifier

### Front panel



### Rear panel



- 1 I/⏻ (Power)
- 2 S-AIR/STANDBY indicator
- 3 S-AIR ID switch
- 4 PAIRING button
- 5 PAIRING indicator
- 6 SURROUND SELECTOR switch
- 7 SPEAKERS jacks
- 8 Wireless transceiver (EZW-RT10) slot



## Table des matières

Présentation .....	5
Déballage .....	6
Raccordement .....	6
Configuration du système sans fil .....	8
Dépannage .....	12
Spécifications .....	13
Index des composants .....	15

## AVERTISSEMENT

### Pour réduire les risques d'incendie ou d'électrocution, gardez cet appareil à l'abri de la pluie et de l'humidité.

N'installez pas l'appareil dans un espace confiné comme dans une bibliothèque ou un meuble encastré.

Pour réduire le risque d'incendie, n'obstruez pas l'orifice de ventilation de l'appareil avec un journal, une nappe, une tenture, etc.

Ne posez pas non plus de source de flamme nue, notamment une bougie allumée, sur l'appareil.

Pour réduire les risques d'incendie ou d'électrocution, gardez cet appareil à l'abri des éclaboussures ou des gouttes d'eau, et ne placez pas d'objets remplis de liquides, comme des vases, sur l'appareil.

N'utilisez pas l'appareil à l'extérieur.

### Pour les clients aux Etats-Unis



Ce symbole est destiné à avertir l'utilisateur de la présence d'une « tension dangereuse » non isolée dans le boîtier du produit dont l'amplitude peut être suffisante pour constituer un risque d'électrocution.



Ce symbole est destiné à avertir l'utilisateur de la présence d'instructions d'utilisation et de maintenance (entretien) importantes dans la documentation qui accompagne l'appareil.

### Archives du propriétaire

Les numéros de modèle et de série se trouvent sur le panneau arrière de l'appareil. Notez le numéro de série dans l'espace fourni ci-dessous. Vous devrez vous y référer lors d'un appel à votre revendeur Sony au sujet de ce produit.

N° de modèle WAHT-SA20

N° de série \_\_\_\_\_

La déclaration de la FCC suivante s'applique uniquement à la version de ce modèle fabriquée pour la vente aux Etats-Unis. Il se peut que les autres versions ne soient pas conformes aux réglementations techniques de la FCC.

### REMARQUE :

Cet équipement a été testé et déclaré conforme aux normes relatives au matériel numérique de la classe B, fixées par l'article 15 des règlements de la FCC. Ces limites sont destinées à assurer une protection suffisante contre les interférences dans une installation résidentielle. Cet équipement génère et utilise des fréquences radio qui, en cas d'installation et d'utilisation incorrectes, peuvent être à l'origine d'interférences dans la réception radio et télévision. Toutefois, rien ne garantit qu'il n'y aura pas d'interférences.

Si des interférences se produisent, il est possible de déterminer si elles sont dues au matériel en éteignant et en rallumant l'appareil, et si c'est le cas, l'utilisateur est invité à corriger le problème d'une des manières suivantes :


- Modifier l'orientation ou l'emplacement de l'antenne de réception.
- Eloigner l'équipement du récepteur.
- Brancher l'équipement sur une prise située sur un circuit différent de celui du récepteur.
- Consulter le revendeur ou un technicien radio/TV expérimenté pour obtenir de l'aide.



## ATTENTION

N'oubliez pas que toute modification non expressément approuvée dans ce manuel peut annuler votre droit d'utilisation de cet équipement.

### Consignes de sécurité importantes

- 1) Lisez ces instructions.
  - 2) Conservez ces instructions.
  - 3) Tenez compte de tous les avertissements.
  - 4) Respectez toutes les instructions.
  - 5) N'utilisez pas cet appareil à proximité de l'eau.
  - 6) Nettoyez l'appareil uniquement avec un chiffon sec.
  - 7) Ne bloquez pas les ouvertures de ventilation. Installez l'appareil conformément aux instructions du fabricant.
  - 8) N'installez pas l'appareil à proximité d'une source de chaleur, telle qu'un radiateur, un poêle, une cuisinière ou d'autres appareils (notamment des amplificateurs) qui dégagent de la chaleur.
  - 9) Pour des raisons de sécurité, veillez à utiliser une fiche polarisée ou une fiche avec terre. Une fiche polarisée possède deux lames dont une est plus large que l'autre. Une fiche avec terre possède deux lames et une broche de mise à la masse. La lame large ou la troisième broche sont prévues pour votre sécurité. Si la fiche fournie n'est pas adaptée à la prise, consultez un électricien pour remplacer la prise obsolète.
  - 10) Protégez le cordon d'alimentation afin d'éviter qu'il soit piétiné ou pincé, en particulier au niveau des fiches, des prises multiples et du point de sortie de l'appareil.
  - 11) Utilisez uniquement des options/accessoires spécifiés par le fabricant.
  - 12) Utilisez l'appareil uniquement avec le chariot, le socle, le trépied, le support ou la table spécifiés par le fabricant ou vendus avec l'appareil. Si vous utilisez un chariot, soyez prudent lors du déplacement de la combinaison chariot/appareil afin d'éviter de vous blesser lors du transport.
- 
- 13) Débranchez l'appareil pendant les orages et lorsque vous ne l'utilisez pas pendant des périodes prolongées.

14) Tout entretien ne peut être effectué que par un technicien qualifié. Un entretien est nécessaire si l'appareil a été endommagé d'une quelconque manière, par exemple si le cordon ou la fiche d'alimentation est endommagé, si du liquide a pénétré dans l'appareil ou si des objets sont tombés à l'intérieur de celui-ci, s'il a été exposé à la pluie ou à l'humidité, s'il ne fonctionne pas normalement ou s'il a subi une chute.

### Pour l'émetteur-récepteur sans fil (EZW-RT10/EZW-RT10A)

Cet appareil ne doit pas se trouver à proximité d'un autre émetteur ou d'une autre antenne, ou encore être utilisé en même temps que ceux-ci.

Cet appareil est conforme aux limites d'exposition aux rayonnements définies par la FCC pour des appareils non contrôlés. Il répond en outre aux consignes d'exposition aux hautes fréquences (HF) définies par la FCC dans le Supplément C de l'OET65.

Cet appareil doit être installé et utilisé à une distance minimale de 20 cm entre le radiateur et une personne (à l'exception de ses extrémités : mains, poignets, pieds et chevilles).

### Pour les clients au Canada

#### Pour l'émetteur-récepteur sans fil (EZW-RT10/EZW-RT10A)

Cet appareil numérique de la classe B est conforme à la norme ICES-003 du Canada.

Cet appareil est conforme à la norme RSS-Gen des réglementations d'IC.

Son utilisation est soumise aux deux préalables suivants : (1) ce dispositif ne peut produire d'interférences nuisibles et (2) ce dispositif doit accepter toutes les interférences, y compris celles qui sont susceptibles de provoquer un fonctionnement indésirable.

Cet appareil est conforme aux limites d'exposition aux rayonnements définies par IC pour des appareils non contrôlés. Il répond en outre à la norme RSS-102 des réglementations d'exposition aux hautes fréquences (HF) définies par IC. Cet appareil doit être installé et utilisé à une distance minimale de 20 cm entre le radiateur et une personne (à l'exception de ses extrémités : mains, poignets, pieds et chevilles).

## Précautions

### Sources d'alimentation

- L'appareil n'est pas débranché du secteur aussi longtemps qu'il est raccordé à la prise secteur, même s'il a été éteint.
- Comme la fiche principale permet de débrancher l'appareil du secteur, raccordez l'appareil à une prise secteur facilement accessible. Si vous constatez une anomalie dans l'appareil, débranchez immédiatement la fiche principale de la prise secteur.

### Installation

- N'installez pas le système à un emplacement chaud, exposé aux rayons directs du soleil, poussiéreux, très humide ou extrêmement froid.
- Faites attention lors de la mise en place du système si le plancher est traité (ciré, huilé, poli, etc.), car cela peut provoquer une décoloration ou des taches.
- Prévoyez une circulation d'air suffisante de manière à éviter toute surchauffe interne.
- Ne placez pas l'appareil sur une surface moelleuse (comme un tapis, une couverture, etc.) ou près de tissus (comme un rideau ou une tenture) risquant de bloquer les orifices de ventilation.
- N'installez pas le système à proximité de sources de chaleur telles que des radiateurs ou des conduites d'air chaud, ni à des endroits exposés à la lumière directe du soleil, à une poussière excessive, à des vibrations mécaniques ou à des chocs.
- N'installez pas le système en position inclinée. L'appareil est conçu pour fonctionner uniquement à l'horizontale.
- Gardez le système à l'écart de tout équipement contenant des aimants puissants, par exemple des fours à micro-ondes ou de puissants haut-parleurs.
- Ne posez pas d'objets lourds sur le système.
- Si vous utilisez plusieurs produits S-AIR, éloignez-les les uns des autres afin d'éviter toute diaphonie.
- Installez cet amplificateur surround et les produits S-AIR à plus de 50 cm des personnes.
- Pour prévenir tout risque d'incendie ou d'électrocution, ne placez pas d'objets remplis de liquides, comme des vases, sur l'appareil.
- N'installez pas le système sur un tapis, car vous risquez de le décolorer.
- Si vous utilisez plusieurs amplificateurs surround, ne les installez pas les uns au-dessus des autres.

## Entretien

Nettoyez les boîtiers uniquement avec un chiffon doux. N'utilisez aucun type de tampon abrasif, de poudre à récurer ou de solvant tel que l'alcool ou la benzine.

### Sécurité

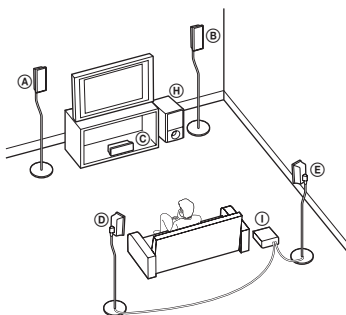
- Si un objet ou du liquide venait à pénétrer à l'intérieur du boîtier, débranchez l'appareil et faites-le vérifier par un personnel qualifié avant de le remettre en marche.
- Débranchez l'appareil de la prise murale si vous prévoyez de ne pas l'utiliser pendant une longue période. Pour débrancher le cordon, tirez sur la fiche, mais ne tirez jamais sur le cordon proprement dit.

## Présentation

Cet amplificateur surround permet d'utiliser un système 5.1 canaux (cinq enceintes et un caisson de graves) ou un système 7.1 canaux (sept enceintes et un caisson de graves).

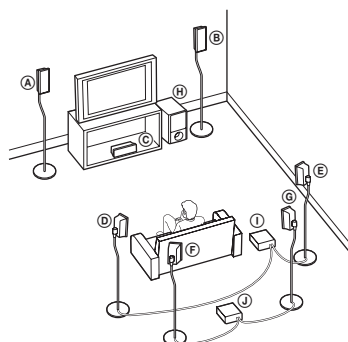
## Utilisation d'un système 5.1 canaux

Avec la technologie S-AIR, les câbles disparaissent et votre pièce est toujours parfaitement rangée.



## Utilisation d'un système 7.1 canaux

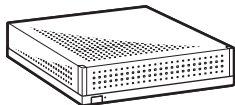
La technologie S-AIR permet de créer un système 7.1 canaux comprenant deux enceintes surround et deux enceintes arrière surround.



- Ⓐ Enceinte avant gauche
- Ⓑ Enceinte avant droite
- Ⓒ Enceinte centrale
- Ⓓ Enceinte gauche surround
- Ⓔ Enceinte droite surround
- Ⓕ Enceinte arrière gauche surround
- Ⓖ Enceinte arrière droite surround
- Ⓗ Caisson de graves
- Ⓘ Amplificateur surround  
(pour les enceintes surround)
- ⓵ Amplificateur surround  
(pour les enceintes arrière surround)

## Déballage

### Amplificateur surround (TA-SA200WR) (1)



### Émetteur-récepteur sans fil (EZW-RT10/EZW-RT10A) (1)



### Cordons d'enceinte (2)



### Mode d'emploi (1)

## Raccordement

Raccordez l'amplificateur surround à votre unité principale S-AIR.

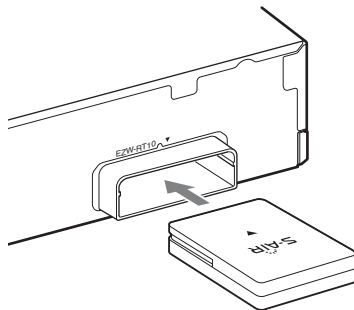
**Avant l'installation, veillez à retirer des prises murales les cordons d'alimentation de tous les produits S-AIR.**

**1** Insérez l'émetteur-récepteur sans fil (fourni) dans l'emplacement situé à l'arrière de l'amplificateur surround.

#### Remarque

- Ne touchez pas les bornes de l'émetteur-récepteur sans fil.
- Respectez le sens des repères ▼.
- N'insérez rien d'autre que l'émetteur-récepteur sans fil dans l'emplacement EZW-RT10.

Panneau arrière de l'amplificateur surround



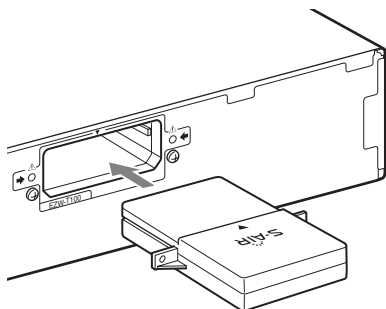
## 2 Insérez l'émetteur sans fil dans l'emplacement situé sur l'unité principale S-AIR.

Pour les unités principales S-AIR qui ne comprennent pas d'émetteur sans fil, préparez l'adaptateur S-AIR en option (EZW-T100).

Pour plus d'informations, reportez-vous au mode d'emploi de l'unité principale S-AIR.

L'illustration du panneau arrière d'une unité principale S-AIR est fournie à titre d'exemple. Toutes les unités principales S-AIR ne se ressemblent pas toutes.

Panneau arrière de l'unité principale S-AIR

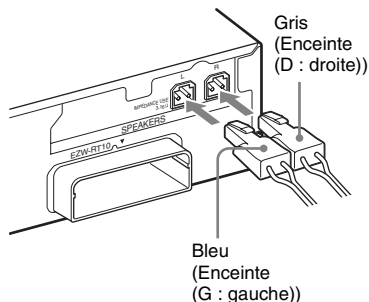


## 3 Raccordez les enceintes.

Raccordez les cordons d'enceinte aux prises SPEAKERS de couleur correspondante de l'unité.

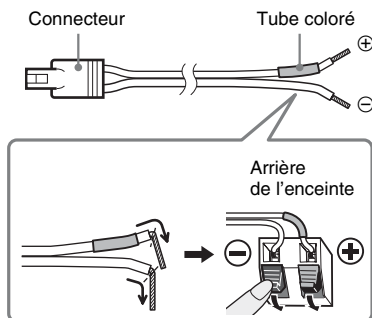
### ■ Pour raccorder les cordons d'enceinte à l'amplificateur surround

Lors du raccordement à l'amplificateur surround, insérez le connecteur jusqu'à ce qu'il émette un déclic.



### ■ Pour raccorder les cordons d'enceinte aux enceintes

Veillez à faire correspondre les cordons d'enceinte aux bornes appropriées des enceintes : le cordon d'enceinte doté de tube coloré correspond à ⊕ et le cordon d'enceinte dépourvu de tube coloré correspond à ⊖. Ne coincez pas l'isolant du cordon d'enceinte dans les prises d'enceinte.



#### Remarque

- Ne raccordez pas les cordons d'enceinte fournis avec le Kit surround sans fil aux prises d'enceinte situées sur votre unité principale S-AIR.

## 4 Raccordez les cordons d'alimentation.

Avant de raccorder les cordons d'alimentation de votre unité principale S-AIR et de l'amplificateur surround aux prises murales, vérifiez que toutes les enceintes sont raccordées.

## Configuration du système sans fil

Pour utiliser le système sans fil, vous devez configurer l'amplificateur surround et votre unité principale S-AIR. Avant la configuration, assurez-vous que les adaptateurs sans fil sont insérés dans l'unité principale S-AIR et l'amplificateur surround.

## Configuration de l'unité principale S-AIR

Pour plus d'informations sur l'utilisation de l'unité principale S-AIR, reportez-vous au mode d'emploi qui l'accompagne.

### 1 Mettez l'unité principale S-AIR sous tension.

Le système se met sous tension.

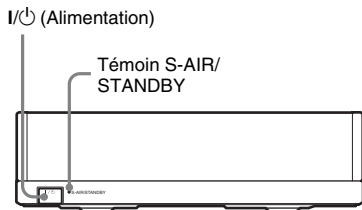
### 2 Configurez l'unité principale S-AIR afin de procéder à la définition de son ID.

### 3 Sélectionnez l'ID de l'unité principale S-AIR.

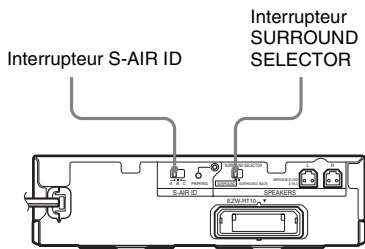
Vous pouvez sélectionner l'ID de votre choix (A, B ou C).

## Configuration de l'amplificateur surround

### Panneau frontal



### Panneau arrière



### 1 Réglez l'interrupteur SURROUND SELECTOR comme suit.

Système 5.1 canaux : SURROUND  
Système 7.1 canaux  
pour enceintes surround :  
SURROUND

pour enceintes arrière surround :  
SURROUND BACK

Pour plus d'informations sur les systèmes surround multicanaux, reportez-vous à la section « Présentation » (page 5).

### 2 Réglez l'interrupteur S-AIR ID de l'amplificateur surround pour qu'il corresponde à l'ID (A, B ou C) de l'unité principale S-AIR.

### 3 Appuyez sur la touche I/⏻ (Alimentation) de l'amplificateur surround.

Le témoin S-AIR/STANDBY vire au vert. Sinon, reportez-vous aux sections « Vérification de l'état de la transmission » (page 9) et « Dépannage » (page 12).

### 4 Configurez les enceintes.

Si l'unité principale S-AIR propose la fonction d'Etalonnage automatique, exécutez-la.

Si l'unité principale S-AIR ne propose pas la fonction d'Etalonnage automatique, réglez les enceintes de façon appropriée.

## Vérification de l'état de la transmission

Vous pouvez contrôler l'état de la transmission du son entre l'unité principale S-AIR et l'amplificateur surround à l'aide du témoin S-AIR/STANDBY de l'amplificateur surround.

Témoin S-AIR/STANDBY	Etat
Vire au vert.	Le système est sous tension, la transmission sans fil est activée et les signaux surround sont restitués.
Clignote en vert rapidement.	Le système est sous tension et la transmission sans fil est activée, mais les signaux surround ne sont pas restitués.
Clignote en vert lentement.	Le système est sous tension et la transmission sans fil est désactivée.

Témoin S-AIR/ STANDBY	Etat
Vire au rouge.	L'amplificateur surround est en mode de veille alors que le système est également en mode de veille ou que la transmission sans fil est désactivée.
Eteint.	L'amplificateur surround est hors tension.
Clignote en orange.	L'émetteur-récepteur sans fil n'est pas raccordé à l'amplificateur surround.
Clignote en rouge.	La protection de l'amplificateur surround est activée.

### A propos du mode de veille

L'amplificateur surround passe automatiquement en mode de veille (le témoin S-AIR/STANDBY vire au rouge) lorsque l'unité principale est en mode de veille ou que la transmission sans fil est désactivée.

L'amplificateur surround se met automatiquement sous tension (le témoin S-AIR/STANDBY vire au vert) lorsque le système est sous tension et que la transmission sans fil est activée.

Pour plus de détails, reportez-vous à la section « Dépannage » (page 12).

#### Remarque

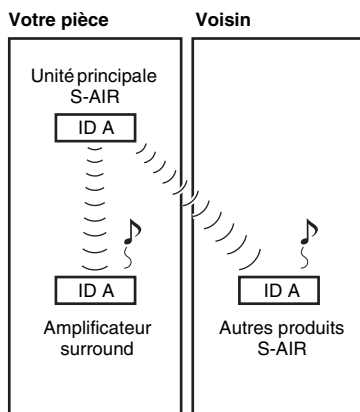
- Selon l'unité principale, il se peut que l'amplificateur surround ne passe pas automatiquement en mode de veille ou ne se mette pas automatiquement sous tension. Dans ce cas, appuyez sur la touche I/⏻ (Alimentation) de l'amplificateur surround pour changer de mode d'alimentation.

## Empêcher toute transmission vers vos voisins (jumelage)

Si vos voisins possèdent également des produits S-AIR et si leurs ID sont identiques aux vôtres, ils risquent de capter le son de votre unité principale S-AIR. Pour éviter cela, vous pouvez identifier vos produits S-AIR en procédant au jumelage.

### ■ Avant l'opération de jumelage (exemple)

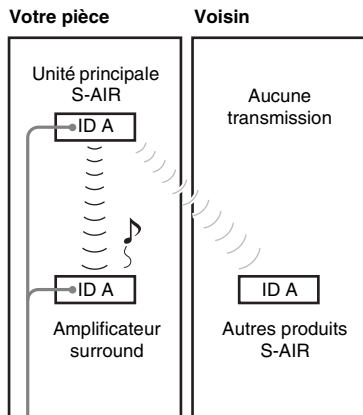
La transmission du son est établie par ID.





## ■ Après l'opération de jumelage (exemple)

La transmission du son est établie entre l'amplificateur surround et l'unité principale S-AIR qui a procédé au jumelage.



Jumelage

### 1 Mettez l'unité principale S-AIR et l'amplificateur surround sous tension.

Le système se met sous tension.

### 2 Faites correspondre l'ID de l'unité principale S-AIR avec celui de l'amplificateur surround.

### 3 Configurez l'unité principale S-AIR afin de procéder au jumelage.

Pour plus d'informations, reportez-vous au mode d'emploi de l'unité principale S-AIR.

Le témoin S-AIR/STANDBY de l'amplificateur surround clignote en vert.

### 4 Appuyez sur PAIRING sur le panneau arrière de l'amplificateur surround.

Le témoin PAIRING clignote lorsque le jumelage commence.

Si la transmission du son est établie, le témoin S-AIR/STANDBY vire au vert et le témoin PAIRING s'allume.

Si vous utilisez plusieurs amplificateurs surround, exécutez également les étapes 3 et 4 pour ceux-ci.

#### Conseil

- Pour appuyer sur PAIRING, utilisez un instrument fin, tel qu'un trombone.

### Pour annuler le jumelage

Modifiez les ID de l'unité principale S-AIR et de l'amplificateur surround (page 8).

## Dépannage

Si vous rencontrez l'une des difficultés suivantes lors de l'utilisation de ce système, consultez ce guide de dépannage pour tenter de remédier au problème. Si le problème persiste, consultez votre revendeur Sony le plus proche.

Remarquez que si le technicien remplace des pièces au cours d'une réparation, elles ne vous sont pas nécessairement rendues. En cas de problème avec l'amplificateur surround, demandez à un revendeur Sony de vérifier le bon fonctionnement de l'intégralité du système (unité principale S-AIR, enceintes et adaptateurs sans fil).

### Son

#### Il n'y a pas de son.

##### Vérifiez l'état du témoin S-AIR/STANDBY de l'amplificateur surround.

- Eteint.
  - Vérifiez que le cordon d'alimentation de l'amplificateur surround est correctement raccordé.
  - Mettez l'amplificateur surround sous tension en appuyant sur sa touche I/⏻.
- Clignote en orange.
  - Vérifiez que l'émetteur-récepteur sans fil est correctement inséré dans l'amplificateur surround.
- Clignote en vert rapidement.
  - Modifiez les paramètres S-AIR ID de l'unité principale S-AIR et de l'amplificateur surround.
  - En cas d'utilisation de ce système avec des enceintes surround :
  - Réglez l'interrupteur SURROUND SELECTOR de l'amplificateur surround sur SURROUND.
  - En cas d'utilisation de ce système avec des enceintes arrière surround :
  - Réglez [Surround arr] sur [Oui] dans le menu [Réglages Enceintes] de l'unité principale S-AIR. Pour plus d'informations, reportez-vous au mode d'emploi de l'unité principale S-AIR.

- Clignote en rouge.
  - Appuyez sur I/⏻ pour mettre l'amplificateur surround hors tension, puis vérifiez les points suivants.
    - ① Les cordons d'enceinte + et - sont-ils court-circuités ?
    - ② Les orifices de ventilation de l'amplificateur surround ne sont-ils pas obstrués ?

Après avoir vérifié les éléments ci-dessus et résolu les problèmes éventuels, mettez l'amplificateur surround sous tension. Si vous ne trouvez pas la cause du problème alors que vous avez vérifié tous les points ci-dessus, consultez le revendeur Sony le plus proche.

- Clignote lentement en vert ou vire au rouge.
  - Vérifiez le S-AIR ID de l'unité principale S-AIR et de l'amplificateur surround.
  - Vérifiez les paramètres de jumelage.
  - La transmission du son est mauvaise. Déplacez l'amplificateur surround de sorte que le témoin S-AIR/STANDBY vire au vert.
  - Eloignez le système des autres appareils sans fil.
  - Évitez d'utiliser d'autres appareils sans fil.
- Vire au vert.
  - Vérifiez les raccordements et les réglages des enceintes.
  - Selon la source ou les réglages de l'unité principale S-AIR, l'effet des enceintes peut être atténué.

#### Le son saute, n'est pas reproduit ou s'accompagne de parasites.

- Si vous disposez d'une autre unité principale S-AIR, éloignez-la de plus de 8 mètres (environ 25 pieds) de l'autre unité principale S-AIR que vous utilisez.
- Rapprochez l'unité principale S-AIR et l'amplificateur surround.
- Évitez d'utiliser des appareils qui génèrent de l'énergie électromagnétique, notamment un four à micro-ondes.
- Installez l'unité principale S-AIR et l'amplificateur surround de sorte qu'ils soient éloignés des autres dispositifs sans fil.
- Modifiez les paramètres S-AIR ID de l'unité principale S-AIR et de l'amplificateur surround.
- Mettez l'unité principale S-AIR et l'amplificateur surround hors tension, puis remettez-les sous tension.

---

**La transmission sans fil n'est pas activée.  
(Le témoin S-AIR/STANDBY clignote  
lentement en vert ou vire au rouge.)**

- Vérifiez le S-AIR ID de l'unité principale S-AIR et de l'amplificateur surround.
- Vérifiez les paramètres de jumelage.
- La transmission du son est mauvaise. Déplacez l'amplificateur surround de sorte que le témoin vire au vert.
- Éloignez le système des autres appareils sans fil.
- Évitez d'utiliser d'autres appareils sans fil.

---

**Utilisation**

---

**Le système ne fonctionne pas normalement.**

- Débranchez le cordon d'alimentation au niveau de la prise murale, puis rebranchez-le quelques minutes plus tard.

## Spécifications

### Amplificateur surround (TA-SA200WR)

#### Partie amplificateur

#### SPECIFICATIONS DE PUISSANCE AUDIO

##### PUISSANCE DE SORTIE ET

##### DISTORSION HARMONIQUE TOTALE :

(FTC)

pour le modèle des  
Etats-Unis

Avec des charges  
de 3 ohms, les deux  
canaux étant  
excités, de 120 -  
20 000 Hz ;  
puissance efficace  
minimale de  
45 watts par canal,  
avec une distorsion  
harmonique totale  
égale ou inférieure  
à 1 %, de 250 mW  
à la puissance de  
sortie nominale.

Modèles des Etats-Unis :

PUISSANCE DE SORTIE (référence) :

167 W (par canal à  
3 ohms, 1 kHz)

Autres modèles :

PUISSANCE DE SORTIE (nominale) :

80 W + 80 W (à  
3 ohms, 1 kHz,  
1 % DHT)

PUISSANCE DE SORTIE (référence) :

167 W (par canal à  
3 ohms, 1 kHz)

Impédance nominale 3 à 16  $\Omega$

#### Caractéristiques générales

Puissance de raccordement

120 V CA, 60 Hz

Consommation électrique 50 W

Consommation électrique en veille

0,9 W (mode  
veille)

0,13 W (désactivé)

Dimensions (environ)	206 mm × 60 mm × 256 mm (8 1/8 po. × 2 3/8 po. × 10 1/8 po.) (l/h/p) avec l'émetteur- récepteur sans fil inséré
Poids (environ)	1,3 kg (2 li. 14 on.)

### **Emetteur-récepteur sans fil (EZW-RT10/EZW-RT10A)**

#### Système de communication

	Spécifications S-AIR version 1.0
Bande de fréquences	2,4000 GHz - 2,4835 GHz
Méthode de modulation	DSSS
Puissance de raccordement	3,3 V CC, 350 mA
Dimensions (environ)	50 mm × 13 mm × 60 mm (2 po. × 17/32 po. × 2 3/8 po.) (l/h/p)
Poids (environ)	24 g (1 on.)

La conception et les spécifications sont sujettes à modification sans préavis.

« S-AIR » et son logo sont des marques commerciales de Sony Corporation.

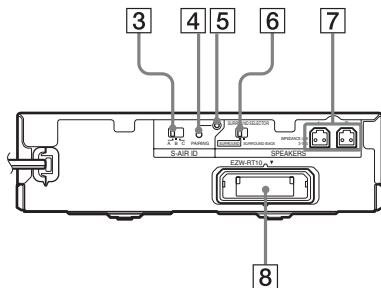
- Consommation électrique en veille 0,13 W
- Aucun ignifuge halogéné n'est utilisé dans certaines cartes de circuits imprimés.
- Plus de 85 % de la puissance du bloc amplificateur est obtenue grâce à l'amplificateur numérique intégral S-master.
- Les protecteurs d'emballage sont fabriqués en papier.

## Amplificateur surround

### Panneau frontal



### Panneau arrière



- 1 I/⏻ (Alimentation)
- 2 Témoin S-AIR/STANDBY
- 3 Interrupteur S-AIR ID
- 4 Touche PAIRING
- 5 Témoin PAIRING
- 6 Interrupteur SURROUND SELECTOR
- 7 Prises SPEAKERS
- 8 Emplacement pour émetteur-récepteur sans fil (EZW-RT10)

## Índice

Descripción general .....	5
Desembalaje .....	6
Conexión .....	6
Configuración del sistema inalámbrico .....	8
Solución de problemas .....	12
Especificaciones .....	13
Índice de componentes .....	15

## ADVERTENCIA

### Para reducir el riesgo de incendio o descarga eléctrica, no exponga este aparato a la lluvia ni a la humedad.

No sitúe el aparato en un espacio cerrado, como una estantería o un armario empotrado.

Para reducir el riesgo de incendio, no cubra las aberturas de ventilación del aparato con periódicos, manteles, cortinas, etc. No coloque objetos con llamas al descubierto como, por ejemplo, velas encendidas encima del aparato.

Para reducir el riesgo de incendio o de sufrir descargas eléctricas, no exponga el aparato a goteos o salpicaduras, ni coloque encima de este recipientes que contengan líquidos como, por ejemplo, jarrones.

Para uso en interiores solamente.

### Para los clientes de EE. UU.



El propósito de este símbolo es advertir al usuario acerca de la presencia de "voltaje peligroso" sin aislamiento dentro del receptáculo del producto y que puede tener una magnitud suficiente como para constituir un riesgo de descarga eléctrica a las personas.



El propósito de este símbolo es advertir al usuario acerca de la presencia de instrucciones importantes de funcionamiento y mantenimiento (reparación) en la documentación que se suministra con el aparato.

### Registro del propietario

Los números de modelo y de serie están situados en el panel posterior de la unidad. Anote el número de serie en el espacio que se proporciona a continuación. Consulte dichos números cada vez que se ponga en contacto con el distribuidor de Sony en relación con este producto.

Número de modelo: WAHT-SA20

Número de serie: \_\_\_\_\_

La siguiente declaración de la FCC solo es aplicable a la versión de este modelo fabricada para su venta en los EE. UU. Es posible que las otras versiones no cumplan con la normativa técnica de la FCC.

#### NOTA:

Este equipo se ha probado y cumple con las restricciones de los aparatos digitales de Clase B, de acuerdo con la sección 15 del reglamento de la FCC. Estas restricciones se han diseñado para proporcionar protección suficiente contra interferencias perjudiciales en instalaciones residenciales. Este equipo genera, utiliza y puede irradiar energía de radiofrecuencia y, si no se instala y utiliza según las instrucciones, puede provocar interferencias perjudiciales en las radiocomunicaciones. Sin embargo, no puede garantizarse que no se producirán interferencias en una instalación determinada.


Si el equipo produce interferencias perjudiciales en la recepción de radio o televisión, lo que se puede determinar mediante la desconexión y reconexión del equipo, se recomienda al usuario que intente corregir las interferencias mediante una o varias de las siguientes medidas:

- Cambiar la orientación o la ubicación de la antena de recepción.
- Aumentar la separación entre el equipo y el receptor.
- Conectar el equipo en una toma de pared de un circuito distinto al que está conectado el receptor.
- Ponerse en contacto con el distribuidor o con un técnico con experiencia en radio y televisión para obtener asistencia.

## PRECAUCIÓN

Todo cambio o modificación que no esté expresamente aprobado en este manual podría anular la autorización del usuario para utilizar el equipo.

### Instrucciones importantes de seguridad

- 1) Lea estas instrucciones.
  - 2) Conserve estas instrucciones.
  - 3) Haga caso a todas las advertencias.
  - 4) Siga todas las instrucciones.
  - 5) No utilice este aparato cerca del agua.
  - 6) Límpielo únicamente con un paño seco.
  - 7) No bloquee las aperturas de ventilación. Instálelo según las instrucciones del fabricante.
  - 8) No lo instale cerca de fuentes de calor como, por ejemplo, radiadores, fuentes de calor, estufas u otros aparatos (incluidos los amplificadores) que produzcan calor.
  - 9) Respete la función de seguridad del enchufe polarizado o de tipo de conexión a tierra. Un enchufe polarizado tiene dos patas, una más ancha que la otra. Un enchufe de tipo conexión a tierra tiene dos patas y una tercera de conexión a tierra. La pata ancha o la tercera clavija se suministra para su seguridad. Si el enchufe suministrado no cabe en la toma de pared, póngase en contacto con un electricista para sustituir la toma de pared obsoleta.
  - 10) Sitúe el cable de alimentación en un lugar fuera de paso o donde no pueda ser aplastado para protegerlo, especialmente en los enchufes, los receptáculos y el punto de donde salen del aparato.
  - 11) Utilice únicamente accesorios especificados por el fabricante.
  - 12) Utilícelo únicamente con un carro, soporte, trípode, abrazadera o mesa especificados por el fabricante o vendidos con el aparato. Si utiliza un carro, tenga precaución al mover la combinación carro/aparato para evitar dañarse en el caso de una caída.
- 
- 13) Desconecte este aparato durante las tormentas eléctricas o si no lo va a utilizar durante períodos prolongados de tiempo.

- 14) Ponga cualquier tipo de reparación en manos de personal de asistencia técnica cualificado. Es necesario llevar a cabo una reparación cuando se ha dañado el aparato de alguna manera, como si se ha dañado un cable de suministro de alimentación o un enchufe, si se ha vertido un líquido o se ha caído algún objeto dentro del aparato, si se ha expuesto el aparato a la lluvia o a la humedad, si no funciona normalmente o se ha caído.

### Para el transeceptor inalámbrico (EZW-RT10/EZW-RT10A)

Este equipo no debe colocarse ni utilizarse junto con otras antenas o transmisores.

Este equipo cumple con los límites de exposición a radiaciones de la FCC establecidos para equipos no controlados y cumple con las directrices de exposición a radiofrecuencia (RF) de la FCC del suplemento C de OET65.

Este equipo debe instalarse y utilizarse con una distancia mínima de 20 cm entre el radiador y el usuario (sin incluir las extremidades: manos, muñecas, pies y tobillos).

### Para los clientes de Canadá Para el transeceptor inalámbrico (EZW-RT10/EZW-RT10A)

Este equipo digital de Clase B cumple con la normativa ICES-003 de Canadá.

Este dispositivo cumple con la norma RSS-Gen del reglamento IC.

Su funcionamiento está sujeto a las dos condiciones siguientes: (1) este dispositivo no debe provocar interferencias y (2) este dispositivo debe aceptar cualquier interferencia, incluidas las que pueden causar un funcionamiento no deseado.

Este equipo cumple con los límites de exposición a radiaciones de la IC establecidos para equipos no controlados y cumple con las directrices de exposición a radiofrecuencia (RF) de la RSS-102 de IC.

Este equipo debe instalarse y utilizarse con una distancia mínima de 20 cm entre el radiador y el usuario (sin incluir las extremidades: manos, muñecas, pies y tobillos).

## Precauciones

### Fuentes de alimentación

- Aunque apague la unidad, no se desconectará de la fuente de alimentación mientras permanezca conectada a la toma de ca.
- Dado que el enchufe del cable de alimentación se utiliza para desconectar la unidad de la fuente de alimentación, conecte la unidad a una toma de ca de fácil acceso. En el caso de percibir alguna anomalía en la unidad, desconecte inmediatamente el enchufe del cable de alimentación de la toma de ca.

### Ubicación

- No coloque el sistema en lugares cálidos y expuestos a la luz solar directa, polvorientos, muy húmedos o extremadamente fríos.
- Tenga cuidado cuando coloque el sistema en suelos tratados de manera especial (encerados, barnizados con aceites, pulidos, etc.), ya que pueden mancharse o decolorarse.
- Compruebe que existe una circulación adecuada de aire para evitar el recalentamiento interno de la unidad.
- No coloque el sistema sobre superficies (alfombras, mantas, etc.) ni cerca de materiales (cortinas, tapices) que puedan bloquear las ranuras de ventilación.
- No instale el sistema cerca de fuentes de calor como radiadores o conductos de aire caliente, ni en lugares expuestos a la luz solar directa, polvo excesivo, vibraciones mecánicas o golpes.
- No instale el sistema en posición inclinada. Está diseñada para funcionar únicamente en posición horizontal.
- Mantenga el sistema alejado de equipos provistos de imanes potentes, como hornos microondas o altavoces de gran tamaño.
- No coloque objetos pesados sobre el sistema.
- Si utiliza más de un juego de productos S-AIR, aléjelos entre sí para evitar el cruce de comunicaciones.
- Instale el amplificador de sonido envolvente y los productos S-AIR a una distancia de al menos 50 cm de las personas.
- Para evitar el riesgo de incendios o electrocución, no coloque sobre el aparato objetos que contengan líquidos, como por ejemplo jarrones.
- No coloque el sistema sobre una alfombra, ya que es posible que se decolore.
- Si utiliza más de un amplificador de sonido envolvente, no los apile uno sobre el otro.

## Limpieza

Limpie las unidades únicamente con un paño suave y seco. No utilice estropajos abrasivos, detergente en polvo ni disolventes, como alcohol o bencina.

### Seguridad

- Si se introduce algún objeto en la unidad, desenchúfela y llame a un técnico especializado para que la revise antes de volver a utilizarla.
- Desenchufe la unidad de la toma de pared si no va a utilizarla durante un largo período de tiempo. Para desconectar el cable, tire del enchufe, nunca del cable.

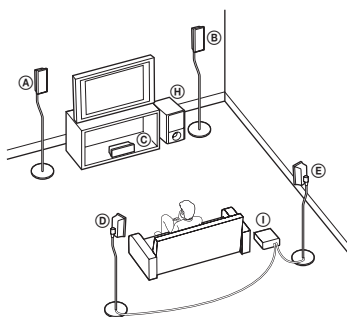


## Descripción general

Este amplificador de sonido envolvente permite utilizar un sistema de 5.1 canales (cinco altavoces y un altavoz potenciador de graves) o un sistema de 7.1 canales (siete altavoces y un altavoz potenciador de graves).

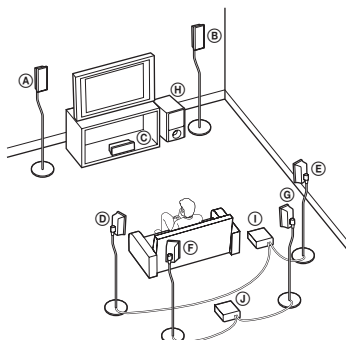
## Utilización de un sistema de 5.1 canales

El sistema S-AIR permite evitar la utilización de muchos cables para mantener la habitación ordenada.



## Utilización de un sistema de 7.1 canales

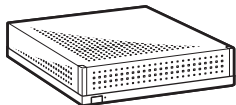
S-AIR permite utilizar sistemas de 7.1 canales, mediante dos altavoces de sonido envolvente y dos altavoces de sonido envolvente posteriores.



- Ⓐ Altavoz frontal izquierdo
- Ⓑ Altavoz frontal derecho
- Ⓒ Altavoz central
- Ⓓ Altavoz de sonido envolvente izquierdo
- Ⓔ Altavoz de sonido envolvente derecho
- Ⓕ Altavoz de sonido envolvente izquierdo posterior
- Ⓖ Altavoz de sonido envolvente derecho posterior
- Ⓗ Altavoz potenciador de graves
- Ⓘ Amplificador de sonido envolvente (para altavoces de sonido envolvente)
- ⓵ Amplificador de sonido envolvente (para altavoces de sonido envolvente posteriores)

## Desembalaje

### Amplificador de sonido envolvente (TA-SA200WR) (1)



### Transceptor inalámbrico (EZW-RT10/EZW-RT10A) (1)



### Cables de altavoz (2)



### Manual de instrucciones (1)

## Conexión

Conecte el amplificador de sonido envolvente a la unidad principal S-AIR.

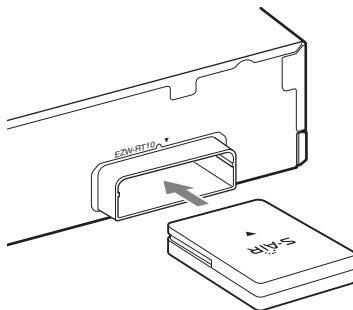
**Antes de efectuar la instalación, asegúrese de desconectar los cables de alimentación de ca de todos los productos S-AIR de las tomas de pared.**

**1** Inserte el transceptor inalámbrico (suministrado) en la ranura que se encuentra en la parte posterior del amplificador de sonido envolvente.

#### Nota

- No toque los terminales del transceptor inalámbrico.
- Haga coincidir la dirección de las marcas ▼.
- No introduzca ningún componente distinto del transceptor inalámbrico en la ranura EZW-RT10.

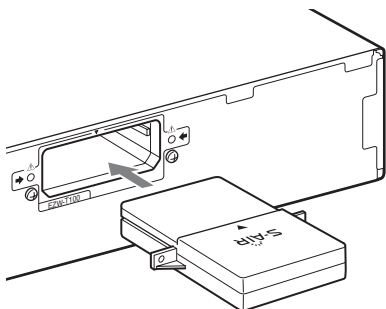
Panel posterior del amplificador de sonido envolvente



## 2 Inserte el transmisor inalámbrico en la ranura de la unidad principal S-AIR.

Para las unidades principales S-AIR que no incluyen un transmisor inalámbrico, prepare el Adaptador S-AIR opcional (EZW-T100). Para obtener más información, consulte el manual de instrucciones de la unidad principal S-AIR. La ilustración del panel posterior de la unidad principal S-AIR es un ejemplo. No todas las unidades principales S-AIR tienen exactamente el mismo aspecto.

Panel posterior de la unidad principal S-AIR

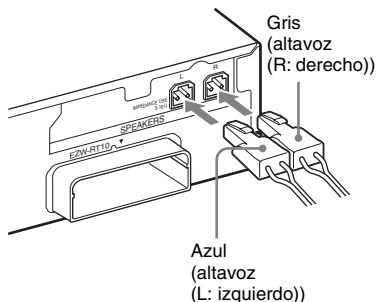


## 3 Conecte los altavoces.

Conecte los cables de altavoz de modo que coincidan con el color de las tomas SPEAKERS de la unidad.

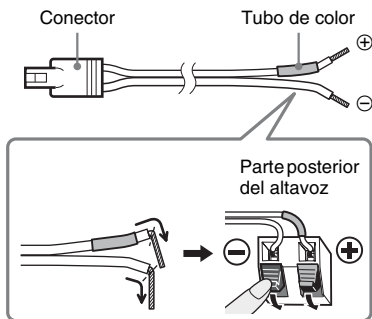
### ■ Para conectar los cables de altavoz al amplificador de sonido envolvente

Cuando efectúe la conexión al amplificador de sonido envolvente, inserte el conector hasta que encaje.



### ■ Para conectar los cables de altavoz a los altavoces

Asegúrese de que los cables de altavoz coinciden con los terminales correspondientes de los altavoces: el cable de altavoz con el tubo de color con  $\oplus$ , y el cable de altavoz sin el tubo de color con  $\ominus$ . El aislamiento del cable de altavoz no debe quedar atrapado en los terminales del altavoz.



**Nota**

- No conecte los cables de altavoz suministrados con el kit de sonido envolvente inalámbrico a ninguna de las tomas de altavoz de la unidad principal S-AIR.

## **4 Conecte los cables de alimentación de ca.**

Antes de conectar los cables de alimentación de ca de la unidad principal S-AIR y el amplificador de sonido envolvente a las tomas de pared, asegúrese de que todos los altavoces estén conectados.

## **Configuración del sistema inalámbrico**

Para utilizar el sistema inalámbrico, deberá configurar el amplificador de sonido envolvente y la unidad principal S-AIR. Antes de realizar el ajuste, asegúrese de que los adaptadores inalámbricos se encuentren correctamente insertados en la unidad principal S-AIR y en el amplificador de sonido envolvente.

---

## **Configuración de la unidad principal S-AIR**

Si desea obtener más información acerca de la utilización de la unidad principal S-AIR, consulte el manual de instrucciones correspondiente.

### **1 Encienda la unidad principal S-AIR.**

El sistema se encenderá.

### **2 Configure la unidad principal S-AIR de modo que se encuentre lista para ajustar el ID.**

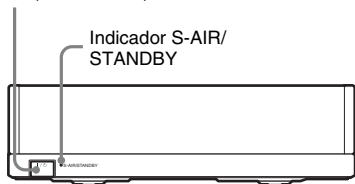
### **3 Seleccione el ID de la unidad principal S-AIR.**

Es posible seleccionar cualquier ID (A, B o C).

## Configuración del amplificador de sonido envolvente

### Panel frontal

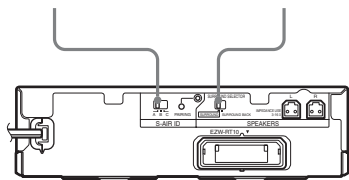
I/⏻ (alimentación)



### Panel posterior

Interruptor S-AIR ID

Interruptor SURROUND SELECTOR



## 1 Ajuste el interruptor SURROUND SELECTOR como se indica a continuación.

Sistema de 5.1 canales: SURROUND  
Sistema de 7.1 canales  
para altavoces de sonido envolvente:  
SURROUND

para altavoces de sonido envolvente  
posteriores: SURROUND BACK  
Para obtener más información sobre  
sistemas de sonido envolvente  
multicanal, consulte “Descripción  
general” (página 5).

## 2 Ajuste el interruptor S-AIR ID del amplificador de sonido envolvente de modo que coincida con el ID (A, B o C) de la unidad principal S-AIR.

## 3 Pulse I/⏻ (alimentación) en el amplificador de sonido envolvente.

El indicador S-AIR/STANDBY se iluminará en color verde. De lo contrario, consulte “Comprobación del estado de la transmisión” (página 9) y “Solución de problemas” (página 12).

## 4 Instale los altavoces.

Si la unidad principal S-AIR dispone de la función de calibración automática, ejecútela.

Si la unidad principal S-AIR no dispone de la función de calibración automática, lleve a cabo el ajuste del altavoz adecuado.

## Comprobación del estado de la transmisión

Para verificar el estado de la transmisión de sonido entre la unidad principal S-AIR y el amplificador de sonido envolvente, compruebe el indicador S-AIR/STANDBY del amplificador de sonido envolvente.

Indicador S-AIR/STANDBY	Estado
Se enciende en verde.	El sistema está encendido y la transmisión inalámbrica activada, y se transmiten las señales de sonido envolvente.
Parpadea en verde rápidamente.	El sistema está encendido y la transmisión inalámbrica activada, pero no se transmiten las señales de sonido envolvente.
Parpadea en verde lentamente.	El sistema está encendido y la transmisión inalámbrica desactivada.

Indicador S-AIR/STANDBY	Estado
Se ilumina en rojo.	El amplificador de sonido envolvente está en modo de espera cuando el sistema está en modo de espera o la transmisión inalámbrica está desactivada.
Se apaga.	El amplificador de sonido envolvente está desactivado.
Parpadea en naranja.	El transceptor inalámbrico no está conectado al amplificador de sonido envolvente.
Parpadea en rojo.	La protección del amplificador de sonido envolvente está activada.


### Acerca del modo de espera

El amplificador de sonido envolvente accede al modo de espera automáticamente (el indicador S-AIR/STANDBY se ilumina en rojo) cuando la unidad principal está en modo de espera o la transmisión inalámbrica está desactivada.

El amplificador de sonido envolvente se enciende automáticamente (el indicador S-AIR/STANDBY se ilumina en verde) cuando el sistema está encendido y la transmisión inalámbrica activada.

Para obtener información detallada, consulte “Solución de problemas” (página 12).

#### Nota

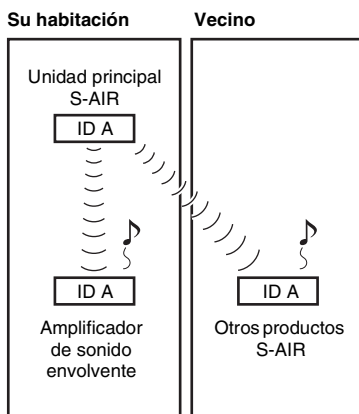
- En función de la unidad principal, es posible que el amplificador de sonido envolvente no pueda acceder al modo de espera o encenderse automáticamente. En este caso, pulse  (alimentación) en el amplificador de sonido envolvente para cambiar el modo de alimentación.

## Prevención de la transmisión a los vecinos (emparejamiento)

Si sus vecinos también disponen de productos S-AIR y sus ID coinciden con el suyo, es posible que reciban el sonido de su unidad principal S-AIR. Para evitarlo, puede identificar sus productos S-AIR mediante la operación de emparejamiento.

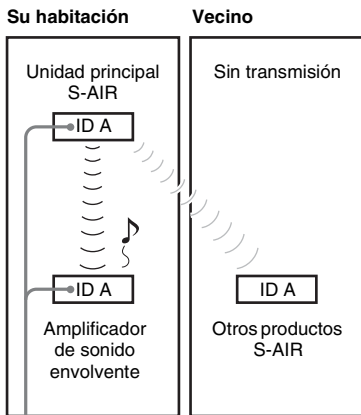
### ■ Antes de efectuar la operación de emparejamiento (ejemplo)

La transmisión del sonido se establece mediante el ID.



### ■ Después de efectuar la operación de emparejamiento (ejemplo)

La transmisión de sonido se establece entre el amplificador de sonido envolvente y la unidad principal S-AIR que llevó a cabo la operación de emparejamiento.



Emparejamiento

**1 Encienda la unidad principal S-AIR y el amplificador de sonido envolvente.**

El sistema se encenderá.

**2 Haga coincidir los ID de la unidad principal S-AIR y del amplificador de sonido envolvente.**

**3 Configure la unidad principal S-AIR de modo que esté lista para el emparejamiento.**

Para obtener más información, consulte el manual de instrucciones de la unidad principal S-AIR.

El indicador S-AIR/STANDBY del amplificador de sonido envolvente parpadeará en verde.

**4 Pulse PAIRING en el panel posterior del amplificador de sonido envolvente.**

El indicador PAIRING parpadea cuando se inicia el emparejamiento. Cuando se establezca la transmisión de sonido, el indicador S-AIR/STANDBY se iluminará en verde y el indicador PAIRING se encenderá.

Si utiliza más de un amplificador de sonido envolvente, lleve a cabo los pasos 3 y 4 también para estos.

**Consejo**

- Para pulsar PAIRING, puede utilizar un objeto delgado como, por ejemplo, un clip de papel.

**Para cancelar el emparejamiento**

Cambie los ID de la unidad principal S-AIR y del amplificador de sonido envolvente (página 8).

## Solución de problemas

Si le surge cualquiera de las siguientes dificultades mientras emplea el sistema, utilice esta guía de solución de problemas para resolver el problema antes de solicitar asistencia técnica. Si el problema persiste, consulte con el distribuidor Sony más próximo.

Tenga en cuenta que el personal técnico puede quedarse con las piezas que hayan sido sustituidas durante la reparación.

En caso de que se produzca un problema con el amplificador de sonido envolvente, haga que un distribuidor de Sony compruebe todo el sistema (unidad principal S-AIR, altavoces y adaptadores inalámbricos).

### Sonido

#### No se escucha el sonido.

#### Compruebe el estado del indicador S-AIR/STANDBY del amplificador de sonido envolvente.

- Se apaga.
  - Compruebe que el cable de alimentación de ca del amplificador de sonido envolvente esté conectado firmemente.
  - Pulse **I/⏻** (en el amplificador de sonido envolvente para encenderlo).
- Parpadea en naranja.
  - Compruebe que el transceptor inalámbrico esté correctamente insertado en el amplificador de sonido envolvente.
- Parpadea en verde rápidamente.
  - Cambie los ajustes de ID de S-AIR de la unidad principal S-AIR y del amplificador de sonido envolvente.
    - Cuando utiliza el sistema con altavoces de sonido envolvente:
  - Ajuste el interruptor SURROUND SELECTOR del amplificador de sonido envolvente en la posición SURROUND.
    - Cuando utiliza el sistema con altavoces de sonido envolvente posteriores:
  - Ajuste [Surround tras.] de [Ajustes de los altavoces] de la unidad principal S-AIR en [Sí]. Para obtener más información, consulte el manual de instrucciones de la unidad principal S-AIR.

- Parpadea en rojo.
  - Pulse **I/⏻** para apagar el amplificador de sonido envolvente y compruebe los siguientes elementos.
    - ① ¿Se ha producido un cortocircuito en los cables de altavoz + y -?
    - ② ¿Hay algún objeto que bloquee los orificios de ventilación del amplificador de sonido envolvente?
  - Una vez que haya comprobado los puntos anteriores y haya solucionado cualquier problema, encienda el amplificador de sonido envolvente. Si no puede encontrar la causa del problema después de comprobar las opciones anteriores, póngase en contacto con el distribuidor Sony más próximo.
- Parpadea en verde lentamente o se ilumina en rojo.
  - Confirme los ID de S-AIR de la unidad principal S-AIR y del amplificador de sonido envolvente.
  - Confirme el ajuste de emparejamiento.
  - La transmisión de sonido es deficiente. Mueva el amplificador de sonido envolvente de modo que el indicador S-AIR/STANDBY se ilumine en verde.
  - Coloque el sistema alejado de los demás dispositivos inalámbricos.
  - Evite utilizar cualquier otro dispositivo inalámbrico.
- Se enciende en verde.
  - Compruebe las conexiones y los ajustes de los altavoces.
  - En función de la fuente o de los ajustes de la unidad principal S-AIR, es posible que el efecto de los altavoces sea menos perceptible.

#### No se escucha ningún sonido o se oye un ruido, o bien, el sonido se interrumpe.

- Si utiliza otra unidad principal S-AIR, colóquela a más de 8 m (unos 25 pies) de distancia de la otra unidad principal S-AIR que está utilizando.
- Coloque la unidad principal S-AIR y el amplificador de sonido envolvente más cerca entre sí.
- Procure no utilizar un equipo que genere energía electromagnética como, por ejemplo, un horno microondas.
- Coloque la unidad principal S-AIR y el amplificador de sonido envolvente alejados de otros dispositivos inalámbricos.
- Cambie los ajustes de ID de S-AIR de la unidad principal S-AIR y del amplificador de sonido envolvente.
- Apague la unidad principal S-AIR y el amplificador de sonido envolvente y, a continuación, enciéndalos.



**La transmisión inalámbrica no está activada. (El indicador S-AIR/STANDBY parpadea en verde lentamente o se ilumina en rojo).**

- Confirme los ID de S-AIR de la unidad principal S-AIR y del amplificador de sonido envolvente.
- Confirme el ajuste de emparejamiento.
- La transmisión de sonido es deficiente. Mueva el amplificador de sonido envolvente de modo que el indicador se ilumine en verde.
- Coloque el sistema alejado de los demás dispositivos inalámbricos.
- Evite utilizar cualquier otro dispositivo inalámbrico.

## Funcionamiento

**El sistema no funciona correctamente.**

- Desconecte el cable de alimentación de ca de la toma de pared y vuelva a conectarlo después de varios minutos.

## Especificaciones

**Amplificador de sonido envolvente (TA-SA200WR)**

**Amplificador**

**ESPECIFICACIONES DE POTENCIA DE AUDIO**

SALIDA DE POTENCIA Y

DISTORSIÓN ARMÓNICA TOTAL:

(FTC)	Con cargas de
para el modelo de	3 ohmios, ambos
EE. UU.	canales dirigidos,
	de 120 a 20.000
	Hz; potencia RMS
	nominal mínima de
	45 vatios por canal,
	con un máximo del
	1% de distorsión
	armónica total
	desde 250
	milvatios hasta la
	salida nominal.

Modelos de EE. UU.:

SALIDA DE POTENCIA (referencia):

167 W (por canal a  
3 ohmios, 1 kHz)

Otros modelos:

SALIDA DE POTENCIA (nominal):

80 W + 80 W  
(a 3 ohmios, 1 kHz,  
1% de distorsión  
armónica total)

SALIDA DE POTENCIA (referencia):

167 W (por canal a  
3 ohmios, 1 kHz)

Impedancia nominal: entre 3 y 16  $\Omega$

## General

Requisitos de alimentación

120 V de ca, 60 Hz

Consumo de energía

50 W

Consumo de energía en modo de espera	0,9 W (en modo de espera) 0,13 W (apagado)
Dimensiones (aprox.)	206 mm × 60 mm × 256 mm (8 1/8 in × 2 3/8 in × 10 1/8 in) (an/al/prf) con el transceptor inalámbrico insertado
Peso (aprox.)	1,3 kg (2 lb 14 oz)

### **Transceptor inalámbrico (EZW-RT10/EZW-RT10A)**

Sistema de comunicación	Versión de especificación S-AIR 1.0
Banda de frecuencia	de 2,4000 GHz a 2,4835 GHz
Método de modulación	DSSS
Requisitos de alimentación	3,3 V de cc, 350 mA
Dimensiones (aprox.)	50 mm × 13 mm × 60 mm (2 in × 17/32 in × 2 3/8 in) (an/al/prf)
Peso (aprox.)	24 g (1 oz)

El diseño y las especificaciones están sujetos a cambios sin previo aviso.

“S-AIR” y su logotipo son marcas comerciales de Sony Corporation.

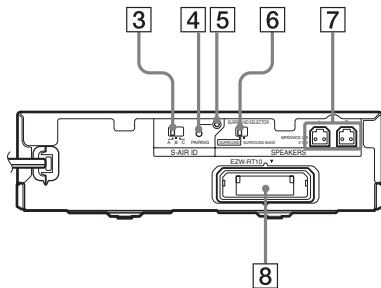
- Consumo de energía en modo de espera: 0,13 W
- En algunas placas de circuito impreso no se utilizan retardantes de llama halogenados.
- Más del 85% de la eficacia energética del bloque del amplificador se consigue gracias al amplificador completamente digital S-master.
- El material de relleno está fabricado en papel.

## Amplificador de sonido envolvente

Panel frontal



Panel posterior



- 1 I/⏻ (alimentación)
- 2 Indicador S-AIR/STANDBY
- 3 Interruptor S-AIR ID
- 4 Botón PAIRING
- 5 Indicador PAIRING
- 6 Interruptor SURROUND SELECTOR
- 7 Tomas SPEAKERS
- 8 Ranura del transceptor inalámbrico (EZW-RT10)



\* 4 1 6 3 3 4 0 1 1 \* (1)

## Free Manuals Download Website

<http://myh66.com>

<http://usermanuals.us>

<http://www.somanuals.com>

<http://www.4manuals.cc>

<http://www.manual-lib.com>

<http://www.404manual.com>

<http://www.luxmanual.com>

<http://aubethermostatmanual.com>

Golf course search by state

<http://golfingnear.com>

Email search by domain

<http://emailbydomain.com>

Auto manuals search

<http://auto.somanuals.com>

TV manuals search

<http://tv.somanuals.com>