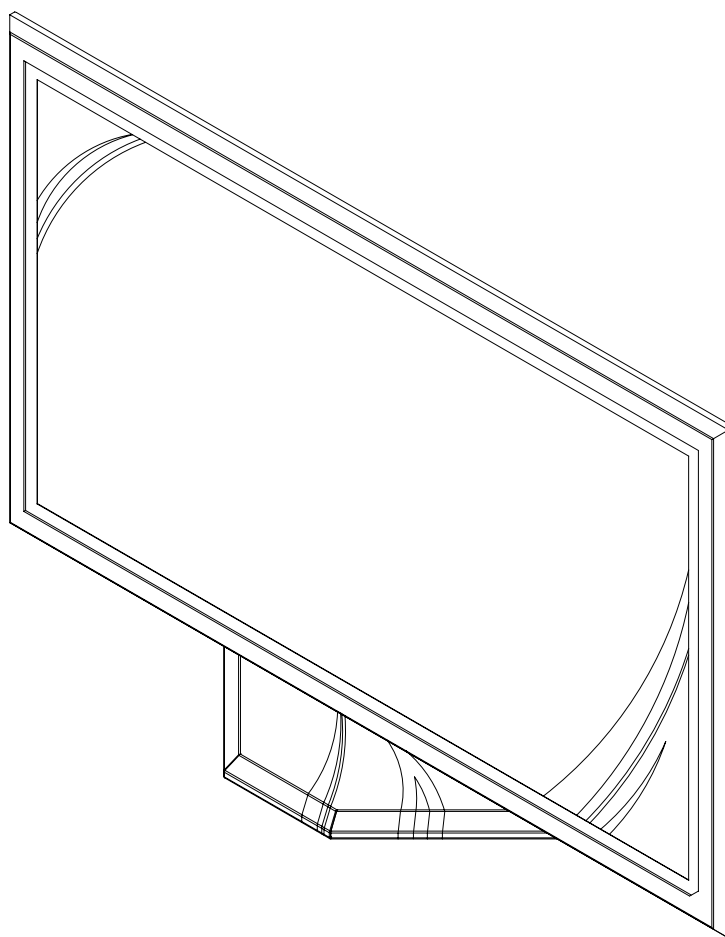


SONY®

INSTALLATION MANUAL

SPMTRI/C



Sony Electronics Inc.
16450 West Bernardo Drive
San Diego, CA 92127
www.sony.com/plasma

Contents

- Safety & precautions
- Mount diagrams
- Parts List
- Building the stand
- Securing the plasma to the stand
- Tabletop fixed installation (optional)

Safety & Precautions

WARNING Safety precaution measures must be practiced at all times during the installation of this product. Use proper safety gear and tools for the installations procedure to prevent personal injury or damage to the plasma display or plasma mount.

WARNING!

The floor or tabletop must be capable of supporting at least five (5) times the weight of plasma display. If not, the floor or tabletop must be reinforced. Proper installation procedure by qualified personnel as outlined in the installations instructions must be adhered to. Failure to do so could result in serious personal injury

The entire installation instructions should be fully read and understood, including all of the safety symbols and safety precautions before beginning installation. The installation instructions should be read, understood and followed to prevent personal injury or property damage. Keep these installation instructions in an easily accessible location for future reference.



Indicates that the power plug is to be disconnected from the power outlet.



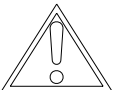
Contact Sony for any questions



Safety precautions must be taken at all times.



Warning and caution in general



Do not install near heater, fireplace, direct sunlight or air conditioning or any other source of direct heat energy. Failure to do so may result in damage to the plasma display and could cause a risk of fire.



At least two qualified people should always perform the installation work. Injury and damage can result from dropping or mishandling the plasma display.

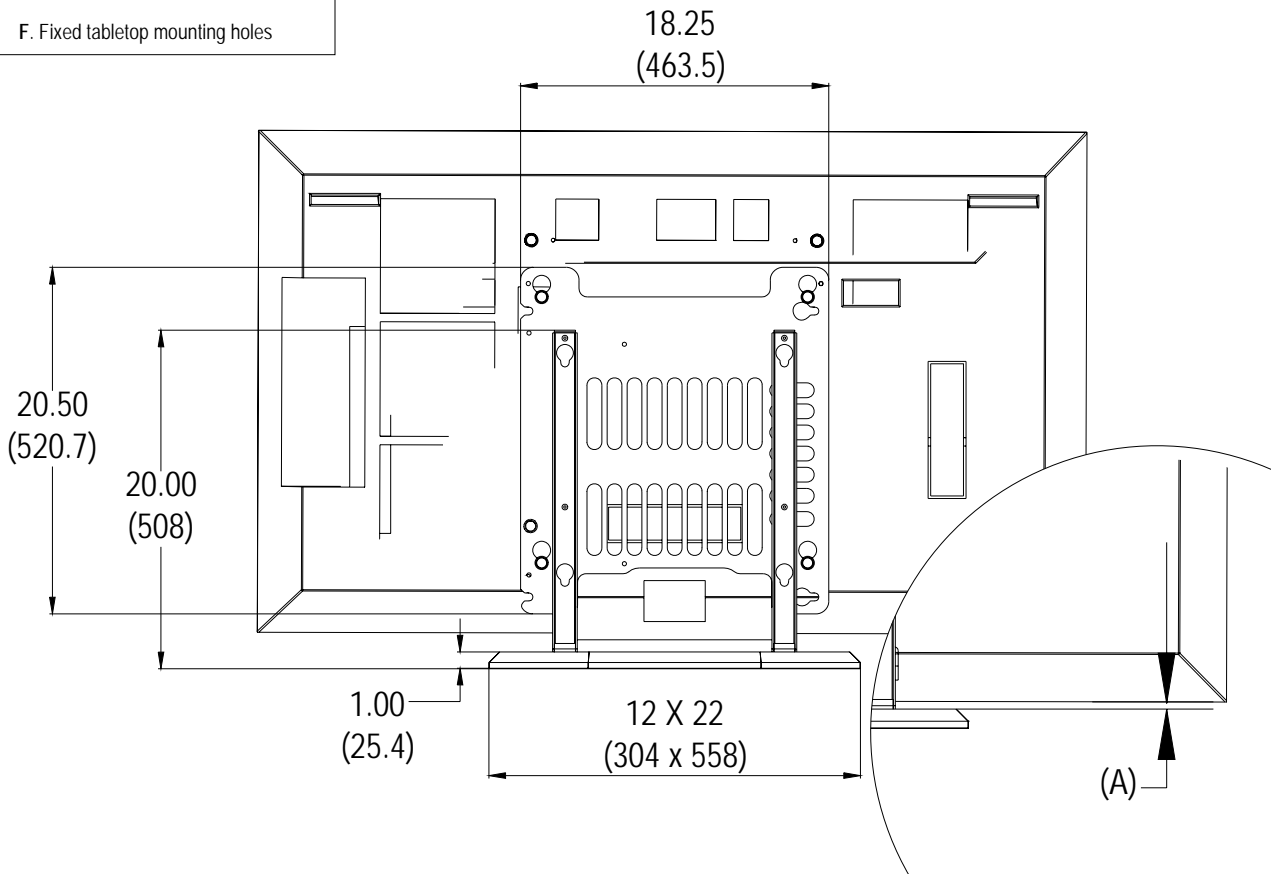
Stand diagrams

PART#:
SPMTRI/C
MATERIALS USED:
12 (GA) CRS, Clear acrylic base

COLOR:
Silver

- A. Back plate
- B. Stand support
- C. Clear base
- D. Security access screws
- E. (1) Cable access hole
- F. Fixed tabletop mounting holes

Dimensions are in Inch and mm



MODEL	A
PFM-32C1	.37 (9.4)
FWD32LX1, FWD32DV1	1.0 (25.4)
PFM-42B1, PFM-42V1, FWD-50PX2	.72 (18.2)
PFM-42LX1, FWD42DV1	1.0 (25.4)
PFM-50C1	.90 (22.8)
PFM-50DV1	1.0 (25.4)

Parts List

TOOLS & SUPPLY NEEDED

Phillips screwdriver

HARDWARE

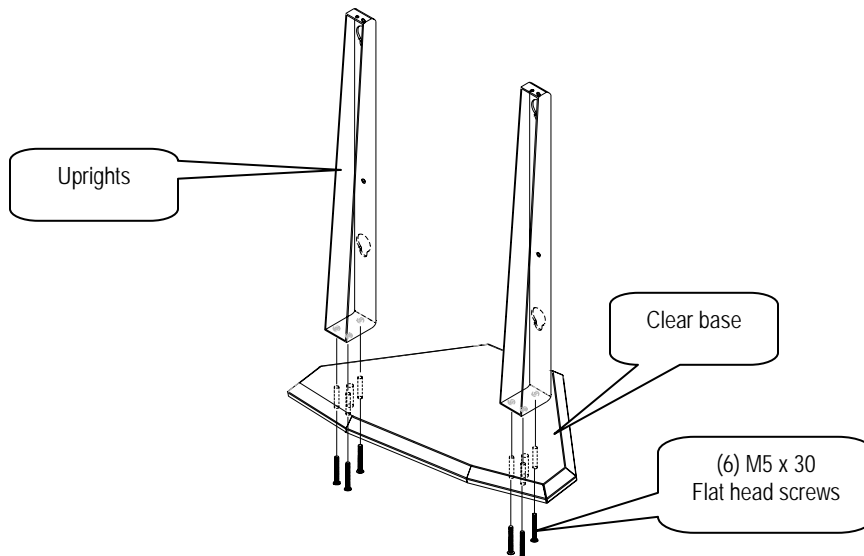
(4) M5 x 10 (mm) flat head Phillip screws (4) Clear rubber feet
(6) M5 x 30 (mm) flat head Phillip screws (2) M6 x 30 Phillip head screws (used on the 30" plasma only)
(2) M5 x 12 (mm) phillip security screws (used on 42" and 50" plasma displays only)
(2) #10 x 1-3/4" wood screws (Optional use)

Building the stand

Step 1

Unpack the components from the box and set them on the floor. Invert and apply the four (4) clear rubber feet to the flat surface on the base, locate the four mounting points on the clear base. Secure the two (2) upright supports (flat surface facing out) to the base by using the four (6) M5 x 30 (mm) Phillip screws (supplied). **CAUTION: Do not over tighten the screws.**

Figure 1

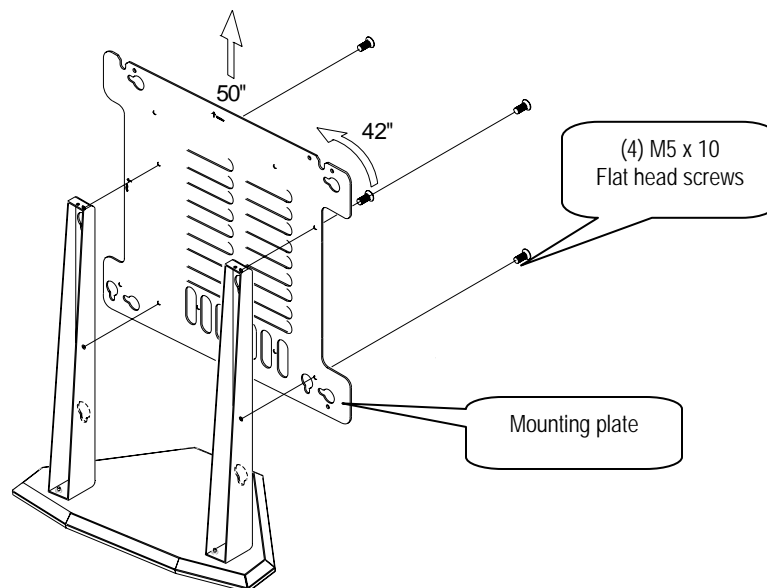


Step 2

The stand fits a 32" 42" and 50" PFM series (Sony plasma displays only). The plate is stamped with two plasma sizes. Check the size that fits your plasma before installing. **NOTE: If using a 32" plasma, the plate is not needed. Mount the plasma quick release sleeves from the plasma to the key-holes on the uprights.**

The size and arrow must always point up prior to installation, finger tighten the (4) M5 x 10 (mm) phillips flat head screws then tighten the screws. See figure 2.

Figure 2



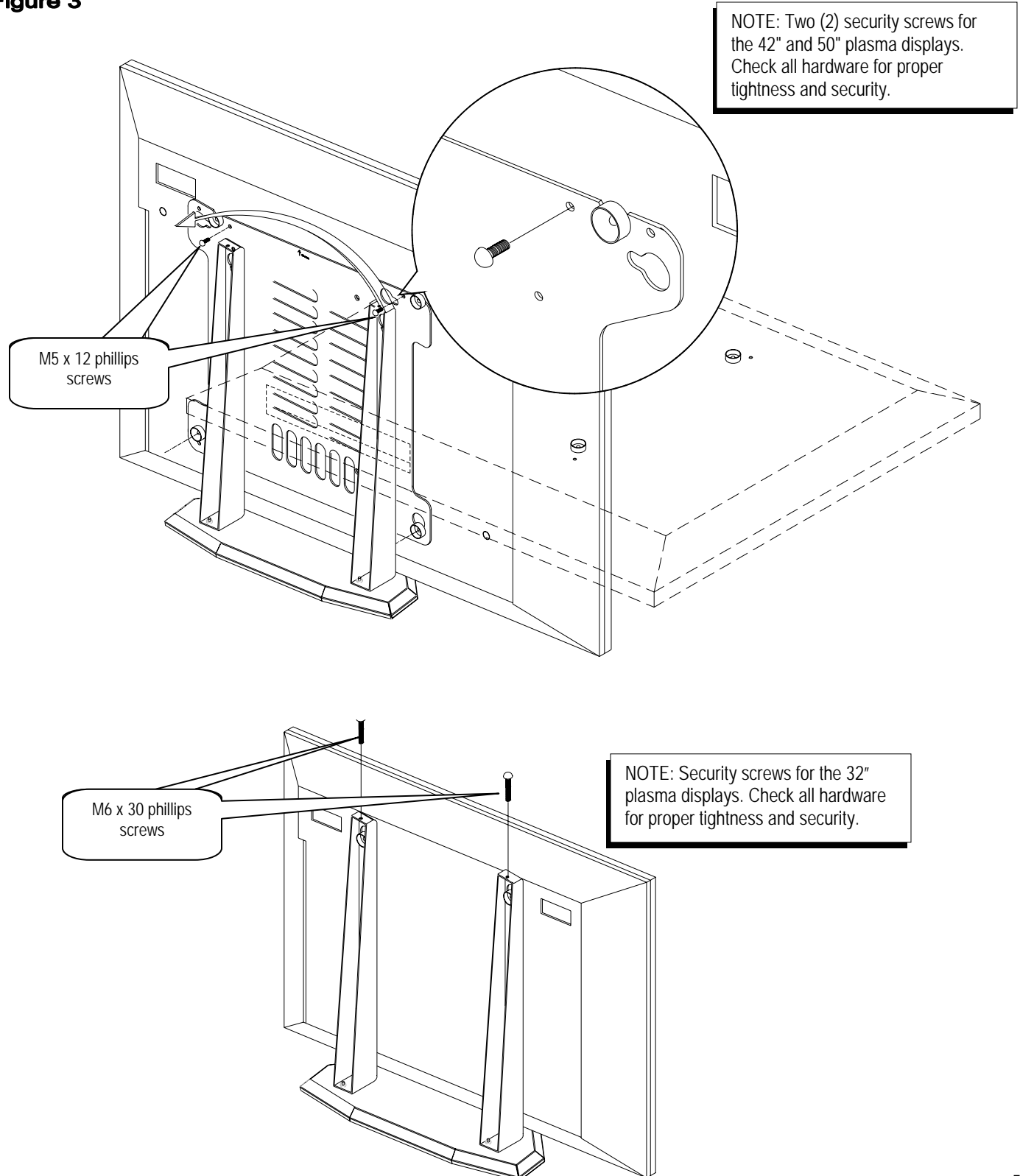
Securing the plasma to the stand

Step 3

Raise the display with the securing sleeves installed to the plasma. Slip the sleeves through the four (4) keyholes on the back plate and drop it down slowly, make sure all of the four (4) sleeves are in the keyhole slot before letting go of the plasma. On the 42" and 50" two (2) M5 x 12 Phillip screws (security screws) can be used for additional security. See figure 3.

NOTE: If using a 32" plasma, secure it with the two (2) M6 x 30 Phillip screws supplied.

Figure 3



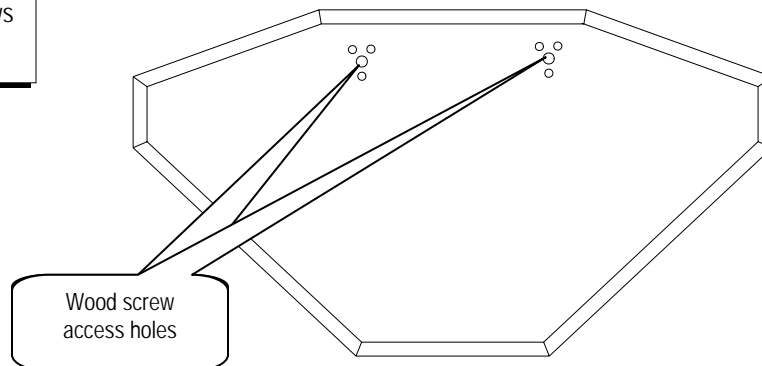
(Optional) fixed installation

Step 1

Invert the stand and locate the two (2) mounting points on the bottom of the stand for (optional) fixed tabletop installation. Measure the distance between center to center of these two (2) holes and mark the table. See figure 4.

Figure 4

NOTE: This diagram shows the bottom of the stand.



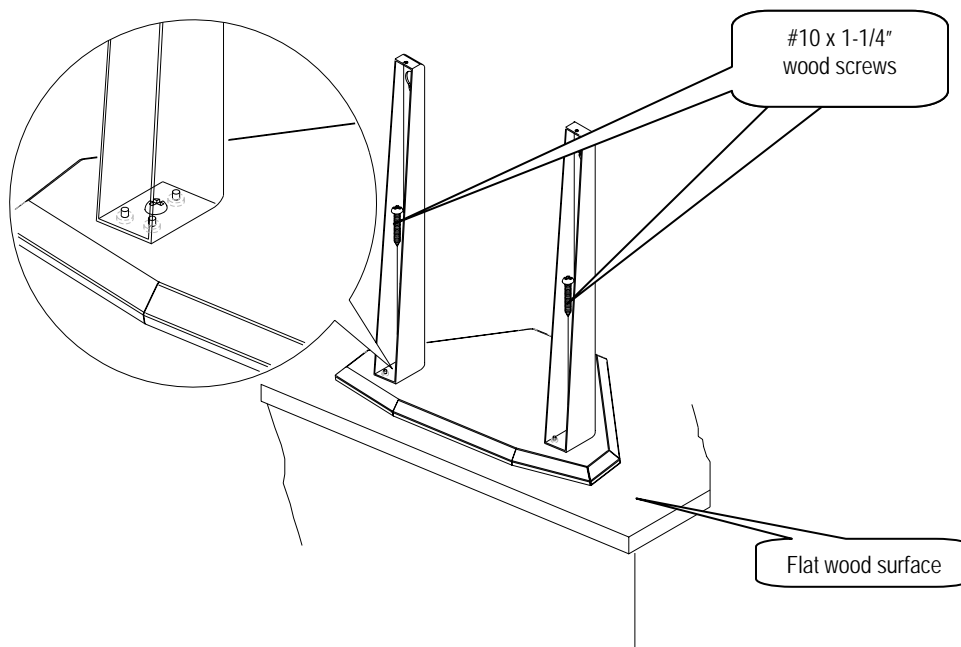
Step 2

OPTIONAL TABLE MOUNTING

If securing to a wood table, mark the table and drill properly. Secure the stand with the two (2) #10 x 1-1/4" wood screws (supplied).

NOTE: Longer or shorter wood screws and or mounting hardware depending on your installation environment are (commercially available). See figure 5.

Figure 5



NOTE: Check all hardware for proper tightness and security.

Free Manuals Download Website

<http://myh66.com>

<http://usermanuals.us>

<http://www.somanuals.com>

<http://www.4manuals.cc>

<http://www.manual-lib.com>

<http://www.404manual.com>

<http://www.luxmanual.com>

<http://aubethermostatmanual.com>

Golf course search by state

<http://golfingnear.com>

Email search by domain

<http://emailbydomain.com>

Auto manuals search

<http://auto.somanuals.com>

TV manuals search

<http://tv.somanuals.com>