

TV Stand

Instructions _____ **GB**

Mode d'emploi _____ **FR**

Instrucciones _____ **ES**

Instruções _____ **PT**

Vejledning _____ **DK**

Instruksjoner _____ **NO**

Bruksanvisning _____ **SE**

Käyttöohje _____ **FI**

Instructies _____ **NL**

Gebrauchsanweisung _____ **DE**

Istruzioni _____ **IT**

Οδηγίες _____ **GR**

Инструкции _____ **RU**

Instrukcje _____ **PL**

Instrukce _____ **CZ**

Inštrukcie _____ **SK**

Utasítások _____ **HU**

Talimatlar _____ **TR**

説明書 _____ **CT**

วิธีใช้งาน _____ **TH**

사용설명서 _____ **KR**

SU-FL300M

SU-FL300L

Thank you for purchasing this product.

For customers

This product should only be installed by qualified Sony service representatives, as it requires two or more people, special care, safety, and technique.

WARNING

If the safety precautions are not observed or the product is used incorrectly, it may result in serious injury or fire.

This instruction manual shows the correct handling of the product and important precautions necessary to prevent accidents. Be sure to read this manual thoroughly and use the product correctly. Keep this manual available for future reference.

For Sony dealers

Installation of a TV requires two or more people, special care and technique. When installing a TV, refer to this manual carefully. Sony is not liable for any accidents or damages caused by incorrect installation or handling. Please give this manual to the customer after installation.

On Safety

Products by Sony are designed with safety in mind. Incorrect use may result in a serious injury through fire, electric shock, the product toppling over, or the product dropping. Be sure to observe the precautions for safety to prevent such accidents.

CAUTION

Specified products

The following products are subject to change without notice. Certain models may be out of stock or discontinued, or may not be available in certain regions.

	LCD Color TV	
SU-FL300M	KDL-46W3500	KDL-40D2600
	KDL-46W3100	KLV-40W300A
	KDL-46W3000	KLV-40V300A
	KDL-46V3100	KLV-40D300A
	KDL-46V3000	KDL-37S3100
	KDL-46VL130	KLV-37S310A
	KDL-46S3000	KDL-32XBR4
	KDL-46D3550	KDL-32V3100
	KDL-46D3500	KDL-32T3000
	KDL-46D3100	KDL-32T2800
	KDL-46D3010	KDL-32T2600
	KDL-46D3000	KDL-32S3100
	KLV-46W300A	KDL-32S3000
	KLV-46V300A	KDL-32SL130
	KLV-46D300A	KDL-32D3100
	KDL-40W3500	KDL-32D3010
	KDL-40W3100	KDL-32D3000
	KDL-40W3000	KDL-32D2810
	KDL-40V3100	KDL-32D2710
	KDL-40V3000	KDL-32D2600
	KDL-40VL130	KLV-32V300A
	KDL-40T3000	KLV-32S310A
	KDL-40T2800	KLV-32D300A
	KDL-40T2600	
	KDL-40S3000	
	KDL-40SL130	
	KDL-40D3550	
	KDL-40D3500	
	KDL-40D3100	
	KDL-40D3010	
KDL-40D3000		
KDL-40D2810		
KDL-40D2710		
SU-FL300L	KDL-52W3000	
	KDL-52WL130	
	KDL-46W3000	
	KDL-46V3000	
	KDL-46VL130	
	KDL-46S3000	

This TV Stand is designed for use with the products specified above. For other TVs, refer to their operating instructions to verify that the TV Stand can be used.

Some TVs are supplied with a leaflet explaining how to install the TV Stand.

WARNING

If the following precautions are not observed, serious injury or death can result through fire, electric shock, or the product toppling over.

Products should only be installed by qualified Sony service representatives.

The TV and the TV Stand are very heavy; installation by non-qualified persons could result in serious injury.

Be sure to take measures to prevent the TV Stand from toppling over.

If you fail to do so, the TV may topple over and cause injury. Anchor the TV to a wall, etc., to prevent toppling over.

Be sure to install the TV Stand on a solid and flat floor.

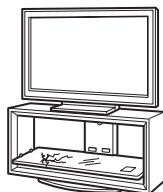
Do not install the TV Stand so that it leans in one direction. If you do so, the TV Stand may topple over or the TV may fall. This may cause injury or damage.

If you install the TV Stand on a soft surface such as a mat or a carpet, lay a board over the designated location beforehand.

Do not use a cracked TV Stand.

Do not use the TV Stand if it has sustained any cracks. The glass may break and cause the TV to topple over, which could cause serious injury or damage.

Cracked TV Stand



Do not lean on or hang from the TV.

The TV Stand may topple over, or the TV may fall and cause serious injury or death.



Do not allow children to climb on the TV Stand or crawl between the shelves.

If children climb on the TV Stand or get between the shelves, serious injury or death can result if the glass breaks or the TV Stand and the TV topples over.



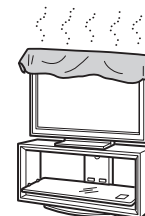
Do not step on the TV Stand.

You may fall, or break the glass and cause injury.



Do not cover the ventilation holes of the TV.

If you cover the ventilation holes (with a cloth, etc.), heat may build up inside and cause fire.



Do not allow the AC power cord or the connecting cable to be pinched.

- Do not allow the AC power cord or the connecting cable to be pinched when you install the TV on the TV Stand. If the AC power cord or the connecting cable is damaged, this may result in fire or electric shock.
- Do not step on the AC power cord or the connecting cable when you carry the TV Stand. The AC power cord or the connecting cable may be damaged, and this may result in fire or electric shock.



Do not move the TV Stand with the TV attached or with connected equipment inside.

If you move the TV Stand with the TV attached, it may hurt your back, or the TV Stand may topple over and cause serious injury. Also, any connected equipment within may fall and cause the glass shelf to break or other property damage.



CAUTION

If the following precautions are not observed, injury or property damage may occur.

Do not install any equipment other than the specified product.

- This TV Stand is designed for use with the specified product only. If you install equipment other than specified, it may fall or break, and cause injury.
- Do not place objects such as vases, pottery, etc., on the TV Stand.
- Do not modify the TV Stand.
- Do not place anything hot directly on the TV Stand. The heat may cause discoloration or deformation of the TV Stand.
- Do not place anything directly on the TV Stand that may damage the glass.

Be sure to secure the TV.

Secure the TV to the TV Stand using the supplied anchor attachments. If the TV is not installed securely, it may fall, or the TV Stand may topple over, and cause injury.

Do not apply weight to the glass or subject it to any kind of impact.

Do not apply weight to the TV Stand with your hand when installing the TV. Do not hit the TV Stand with hard objects, such as a screwdriver, etc. The glass may break and cause injury.

When carrying the TV Stand

Trying to move the TV Stand alone, or without following the proper procedures, may cause injury. To avoid this, be sure to follow the advice given below.

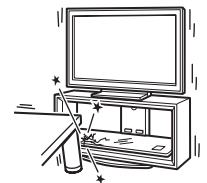
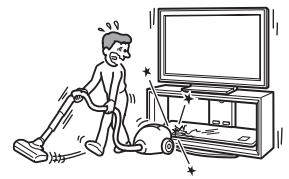
- Be sure that two or more persons carry the TV Stand, and only after removing the TV, connected equipment and glass shelves.
- Do not drag the TV Stand. The base parts of the TV Stand may come off and damage the floor.
- Be careful not to allow your hands or feet to be pinched under the Base Board.
- Do not grab the glass shelf when carrying the TV Stand.

Do not subject the glass to excessive shock.

This TV Stand is made of tempered glass, but care should be taken.

If the glass breaks, glass fragments could cause injury, so observe the precautions below.

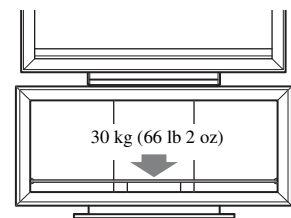
- Do not hit the glass or drop sharp-pointed objects on the glass. Avoid excessive shock.
- Do not scratch or poke the glass with sharp-pointed objects.
- Do not let hard objects such as a vacuum cleaner hit the edges of the glass.



Note on carrying capacity

Do not place any equipment which exceeds the maximum weight for each shelf as indicated in the illustration.

Otherwise, the shelves may break.



Notes on installation

- When assembling, lay the packing materials on the floor to avoid damage to the floor.
- Install the TV Stand on a solid and flat floor. Do not allow the TV Stand to be installed at an angle or incline. To avoid this, observe the following precautions.
 - Do not install the TV Stand in a place subject to direct sunlight or near a heater.
 - Do not install the TV Stand in a hot or humid place, or outdoors.

Note on use

To keep the TV Stand clean, occasionally wipe it with a dry soft cloth. Stubborn stains may be removed by wiping with a cloth slightly dampened with mild soap. Be sure to dry the area afterwards with a dry soft cloth. Do not use chemicals, such as thinner or benzine, as they damage the finish of the TV Stand.

To Sony dealers

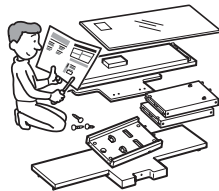
Be sure to thoroughly read the safety precautions described previously and pay special attention to safety during the installation, maintenance, checking, and repair of this product.

Be sure that two or more persons do the installation work.

Be sure that two or more persons install the TV on the TV Stand. If one person does the installation work alone, this may result in an accident or injury. Be sure to keep children away during the installation.

Be sure to assemble the TV Stand securely following the instructions.

If a screw is not tightened securely, or it has fallen out, it may cause the TV Stand to topple over. This may cause damage or injury.



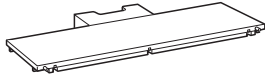
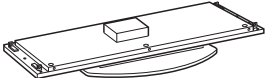




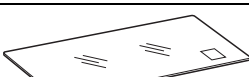









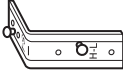
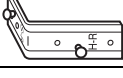

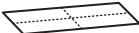
Be careful not to injure your hands or fingers while assembling.

Be careful not to pinch your fingers or hands when assembling the TV Stand and installing the TV.

Be sure to install the TV securely following the instructions.

Tighten the screws securely. If the TV is not installed securely, it may fall and cause injury.

Step 1: Checking the parts

Name		Quantity
Top Board		1
Base Board		1
Side Pillar (L)*1		1
Side Pillar (R)*1		1
Rear Pillar		1
Front Panel		1
Glass Shelf		1
Screw (+PWH5 × 25)	 a*4	8
Screw (+K4 × 20) + Sleeve	 b*4	2
Cam-lock screw	 c*4	4
Screw (+P4 × 15)	 d*4	4
Anchor bolt	 e*4	2
Screw cap	 f*4	3
Support belt		g*4 1
Screw (M6 × 18)		
Wood screw (M3.8 × 20)		
Speaker Hook (L)		1
Speaker Hook (R)		1
Paper template		4*2
		3*3
Tape		1

*1 The illustrations above are for SU-FL300M. This differs from SU-FL300L. For SU-FL300L, there are two cutout parts on the side of the Side Pillar.

*2 For SU-FL300M, four paper templates are provided.

*3 For SU-FL300L, three paper templates are provided.

*4 The parts bags are labeled alphabetically.

Be sure to have a Phillips screwdriver that fits the screws indicated above prior to the assembly.

Step 2: Assembling the TV Stand

WARNING

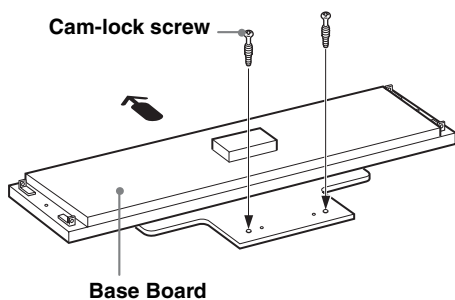
If you allow the AC power cord to be pinched under or between pieces of equipment, this may result in a short circuit or an electric shock. If you stumble over the AC power cord or the connecting cable, the TV Stand may topple over and cause injury.

Decide on the installation location and lay the TV Stand down before installing the TV.

Since the TV is heavy, it is recommended that you decide on the installation location beforehand, and assemble the TV Stand on site.

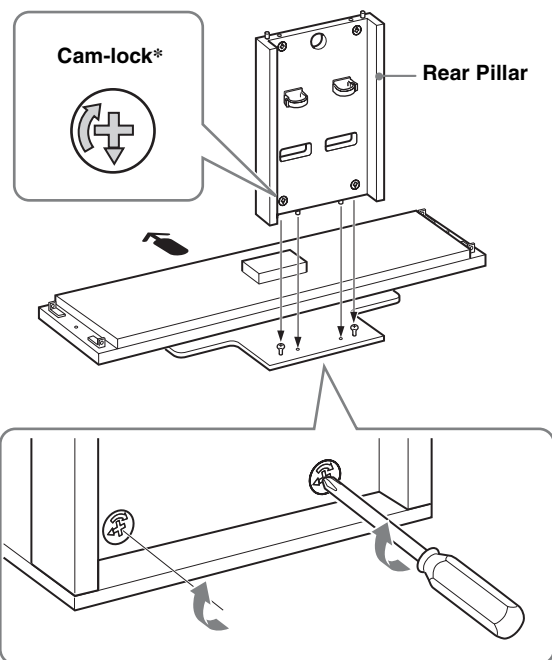
1 Attach the Rear Pillar to the Base Board.

- 1 Tighten the two supplied Cam-lock screws to the Base Board.



← Arrow direction shows front of the TV Stand.

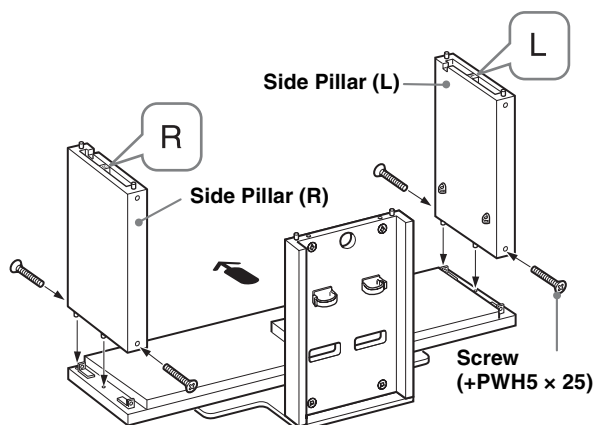
- 2 Attach the Rear Pillar to the Base Board and secure the two Cam-locks with a screwdriver.



* Before attaching the Rear Pillar, make sure that the ▽ mark points downward.

2 Attach the Side Pillars to the Base Board.

Secure the Side Pillars and the Base Board with the four supplied screws (+PWH5 × 25).

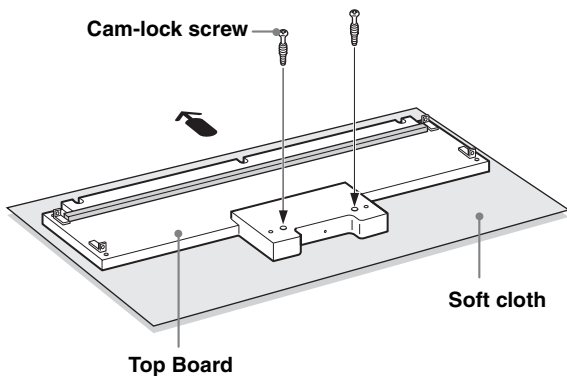


Note

There are differences between the left and right pillars. Be sure to install each pillar on the correct side.

3 Attach the Top Board.

- 1 Tighten the two supplied Cam-lock screws to the Top Board.

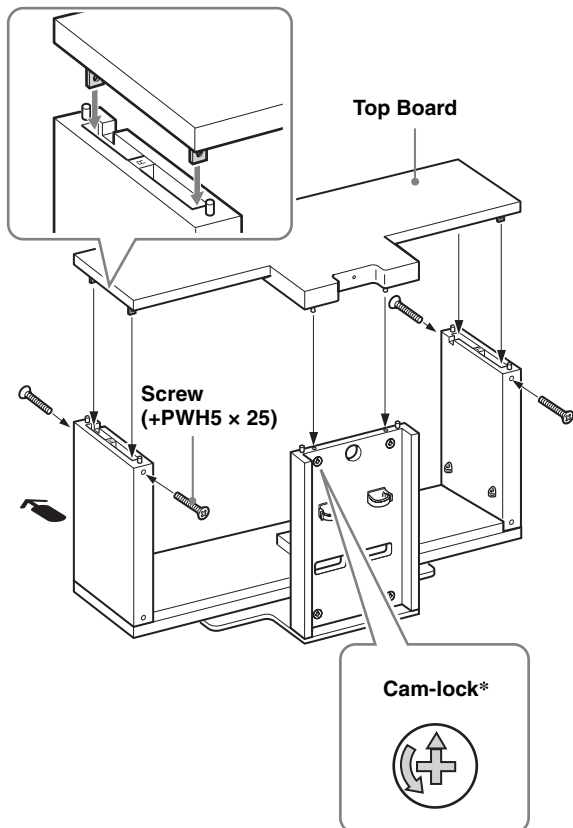


The illustration shown above is SU-FL300M as an example. For SU-FL300L, there are two reinforcing bars on the Top Board.

Note

To prevent damaging the glossy surface of the Top Board, make sure to clean and place a soft cloth on the work surface.

- 2 Align and insert fixing brackets on both sides of the Top Board into the Side Pillars.
- 3 Secure the Side Pillars with the four supplied screws (+PWH5 × 25). And secure the two remaining Cam-locks on the back side of the Rear Pillar.



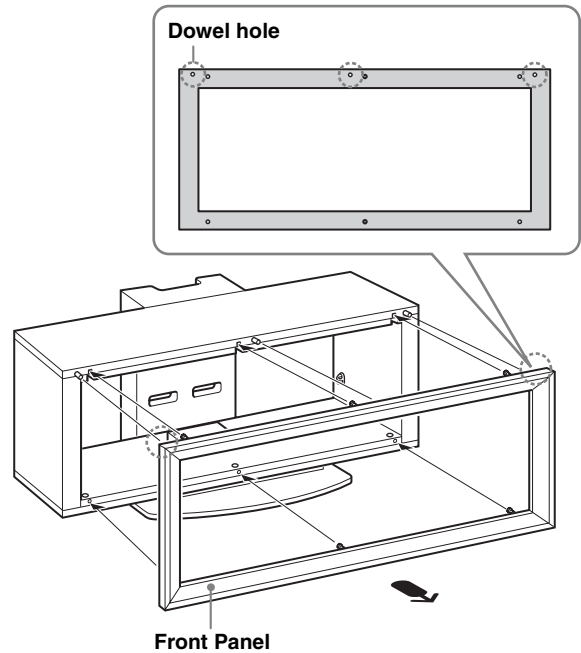
* Before attaching the Top Board, make sure that the Δ mark points upward.

Note

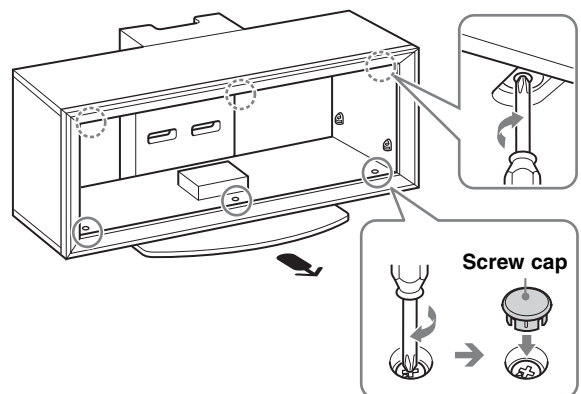
Be careful not to pinch your fingers when attaching the Top Board.

4 Attach the Front Panel to the TV Stand.

- 1 Align the three dowels of the TV Stand with the three holes of the Front Panel.



- 2 Turn the six Cam-lock screws on the Top and the Base Boards clockwise to secure the Front Panel. Then, attach the three supplied screw caps to the three bottom screws.



Note

Be sure to attach the Front Panel in the correct direction.

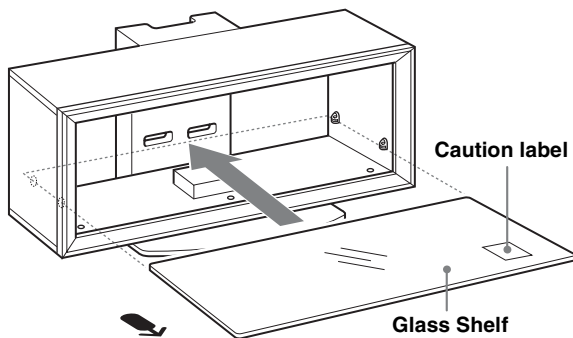
(Continued)

7 (GB)

5 Attach the Glass Shelf.

If you attach the Home Theatre System to the Stand, attach the Speaker Hooks first. (Refer to "Installing the Center Speaker (For Home Theatre Systems only)" on page 11.)

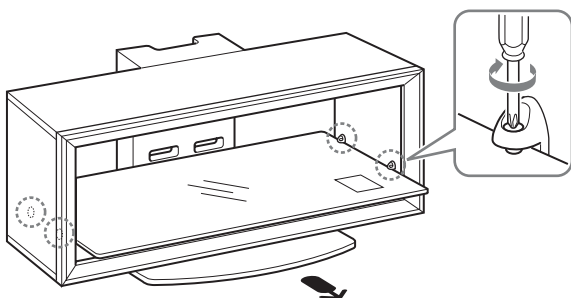
- 1 Fully insert the Glass Shelf until it touches the Rear Pillar.



Note

Attach the Glass Shelf to the TV Stand with the Caution label facing up on the front right, as shown in the illustration.

- 2 Tighten the four screws on the Side Pillars to secure the Glass Shelf to the TV Stand.



Step 3: Preparing for the installation of the TV

1 Attach the sleeves to the Top Board.

Attach the sleeves with the supplied screws (+K4 × 20).

For models that are not specified on page 2:

Use the front holes.

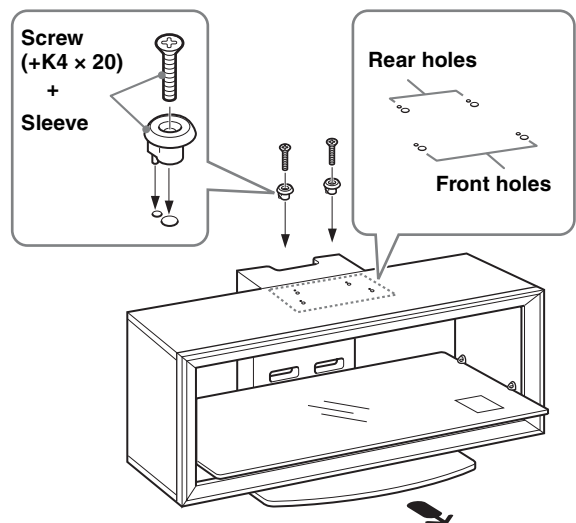
For models that are specified on page 2:

For swivel models*, use the rear holes; for non-swivel models, use the front holes.

Note

Check your TV's operating instructions as to whether or not your TV can swivel.

* The swivel function allows you to adjust the viewing angle of the TV (left and right).



2 Paste the supplied paper template on the Top Board.

- 1 Choose the supplied paper template and align the right corner edges of the paper template with the right corner of the Top Board.

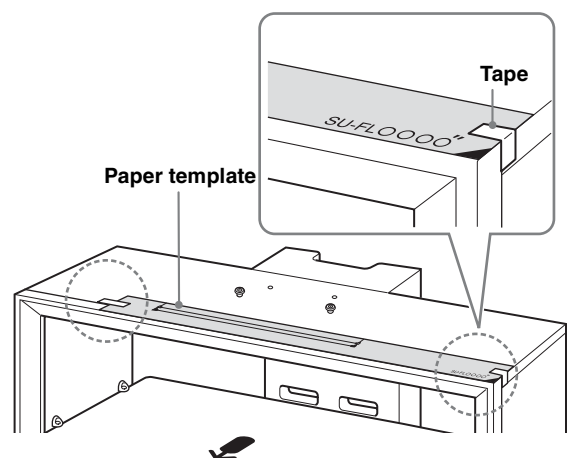
For models that are not specified on page 2:

Be sure to refer to the leaflet supplied with your TV, choose the paper template corresponding to your TV.

For models that are specified on page 2:

Choose the paper template in black print corresponding to your TV screen size.

- 2 Tape the paper template to the Top Board with the supplied tape.



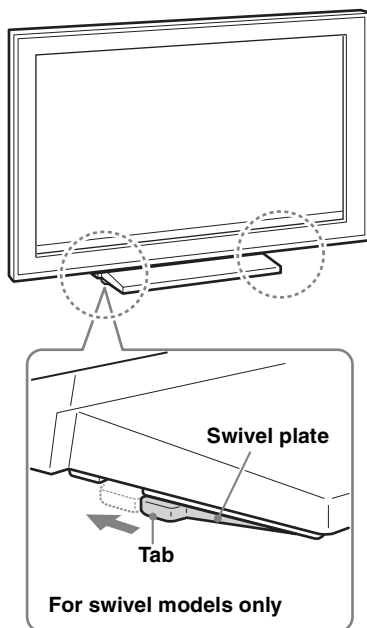
Step 4: Installing the TV

Attach your TV to the Table-Top Stand if it is not already attached.

Only for the specified swivel models on page 2, follow the procedure part 1 of Step 4.

1 Adjust the position of the swivel plate to the center (For swivel models only).

Before installing the TV, align the tab of the swivel plate with the notch in the Table-Top Stand.

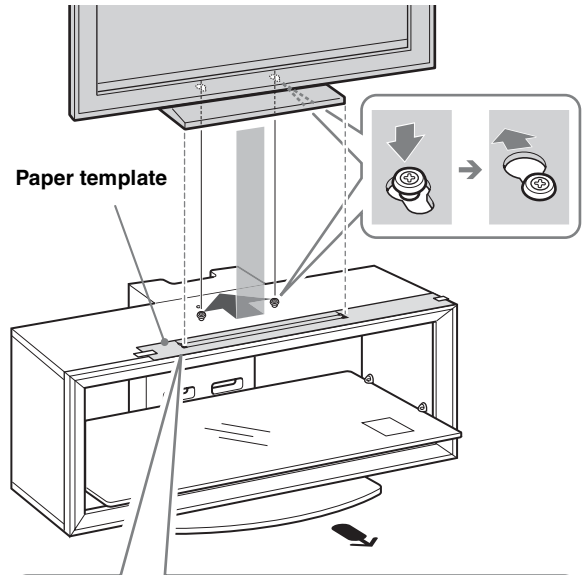


WARNING

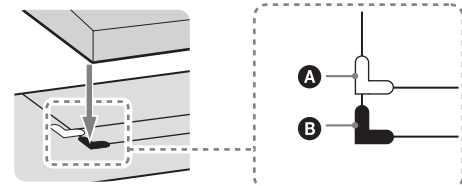
If the swivel plate is not adjusted correctly, the TV will not be installed securely and it may fall.

2 Install the TV onto the TV Stand.

- 1 Match the outline of the Table-Top Stand to the outline of the TV screen size and corner marks on the paper template, so that the holes at the bottom of the Table-Top Stand align to the sleeves which were attached in part 1 of Step 3.
- 2 Slide the TV back to lock into place.
- 3 Remove the paper template from the Top Board.



Only for the specified swivel models on page 2



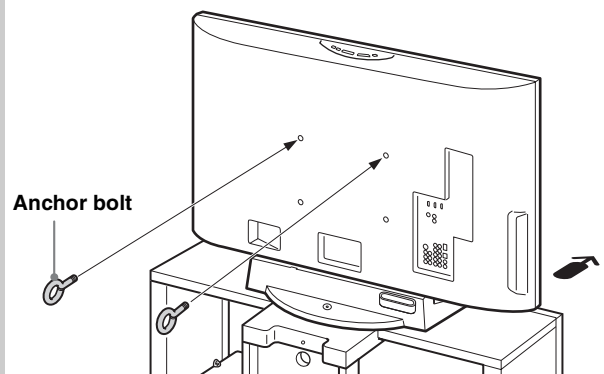
- A The white corner mark is for swivel models.
- B The black corner mark is for non-swivel models.

Note

For 37/40 inch users, whether the TV is swivel model or not, align the Table-Top Stand with the black corner mark. (There is no white corner mark on the paper template for 37/40 inch.)

3 Attach the anchor bolts.

Secure the two supplied anchor bolts to the rear of the TV.



Note

If the two anchor bolts are not used to secure the TV, it may fall and cause injury.

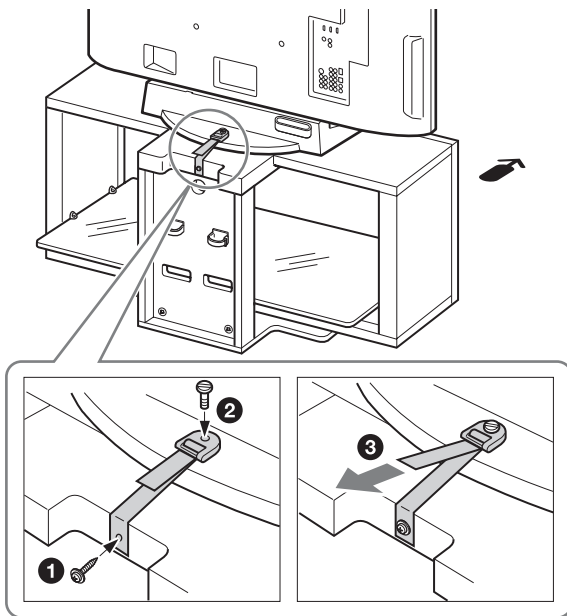
Step 5: Safety measures to prevent toppling over

WARNING

Be sure to take measures to prevent the TV Stand from toppling over, and causing possible injury and damage.

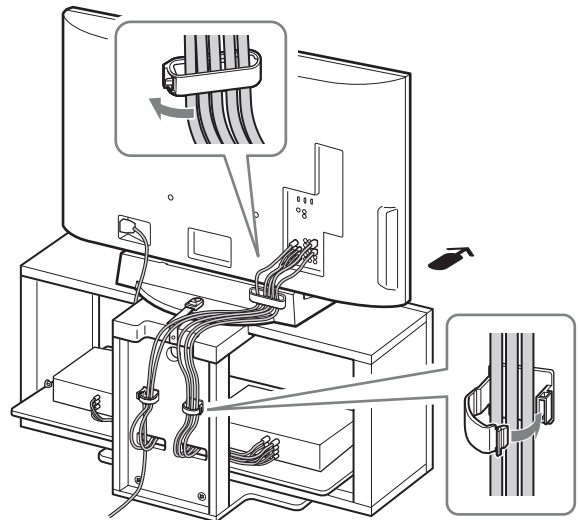
1 Attach the support belt.

- 1 Screw the support belt to the TV Stand with the supplied wood screw using the screwdriver.
- 2 Attach the support belt to the Table-Top Stand, and screw the belt with the supplied securing screw using a coin, etc.
- 3 Adjust the length by tightening the support belt while holding the Table-Top Stand.



2 Connect the cables.

Run the cables through the cable holders and the Rear Pillar holes.



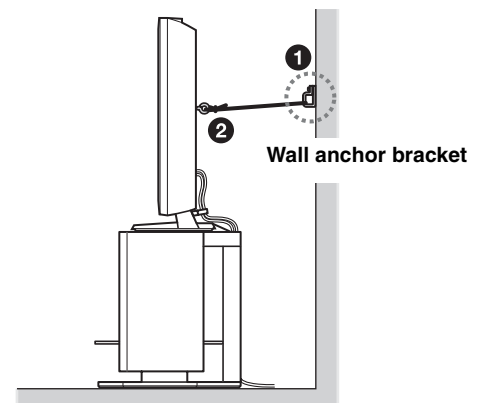
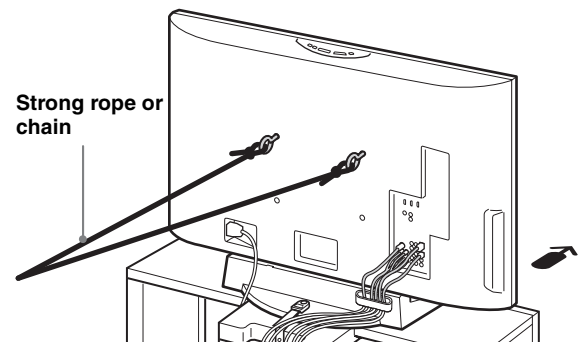
Note

If the cables are not installed properly, they might be pinched and damaged, and could result in electric shock, etc.

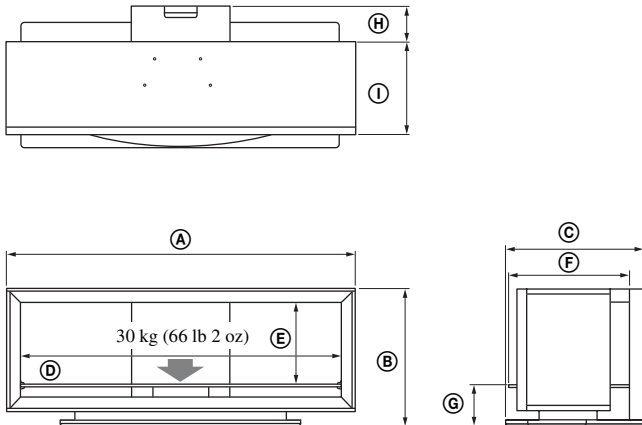
3 Anchor the TV to the wall.

Prepare a strong, commercially-available rope or chain and wall anchor bracket for this purpose.

- 1 Secure the wall anchor bracket to a solid wall.
- 2 Pass the rope or chain through both holes of the anchor bolts and then tighten the other end of the rope or chain to the wall anchor bracket.



Specifications



Note on carrying capacity

Do not place any equipment on the Glass Shelf which exceeds its maximum weight, as it may break and cause injury.

		SU-FL300M	SU-FL300L
Dimensions: mm (inches)	Ⓐ	1,035 (40 3/4)	1,280 (50 1/2)
	Ⓑ	503 (19 7/8)	503 (19 7/8)
	Ⓒ	485 (19 1/8)	518 (20 1/2)
	Ⓓ	895 (35 1/4)	1,140 (45)
	Ⓔ	303 (12)	303 (12)
	Ⓕ	418 (16 1/2)	468 (18 1/2)
	Ⓖ	146 (5 3/4)	146 (5 3/4)
	Ⓗ	120 (4 3/4)	130 (5 1/8)
	Ⓘ	272 (10 3/4)	340 (13 1/2)
Weight:		35 kg (77 lb 3 oz)	52 kg (114 lb 11 oz)

Design and specifications are subject to change without notice.

Installing the Center Speaker (For Home Theatre Systems only)

The Center Speaker model SS-CT71/CNP2200 is for the following Home Theatre System models:

DAV-HDX665	HT-SF2000
DAV-HDX466	HT-SF1200
DAV-HDX465	HT-SF1100
DAV-HDX267W	DAV-DZ750K
DAV-HDX266	DAV-DZ630
DAV-HDX265	DAV-DZ556KB
DAV-HDX235	DAV-DZ555K
	DAV-DZ555M
	DAV-DZ530
	DAV-DZ250KW
	DAV-DZ250K
	DAV-DZ250M
	DAV-DZ231
	DAV-DZ230
	DAV-DZ151KB
	DAV-DZ150K

The Center Speaker model SS-CT72/CT74 is for the following Home Theatre System models:

DAV-HDX900W	DAV-DZ1000
DAV-HDX501W	DAV-DZ850KW
DAV-HDX500	DAV-DZ850M
	DAV-DZ830W
	DAV-DZ531W

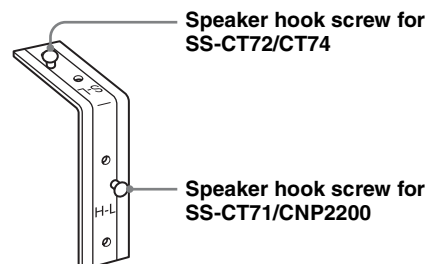
Notes

- The products above are subject to change without notice, may be out of stock, or discontinued.
- Certain models may not be available in certain regions.

Before attaching the Speaker Hook:

For SS-CT71/CNP2200, the H-L/H-R markings should face forward. (H-L is for the left side, H-R is for the right side.)

For SS-CT72/CT74, the S-L/S-R markings should face forward. (S-L is for the left side, S-R is for the right side.)

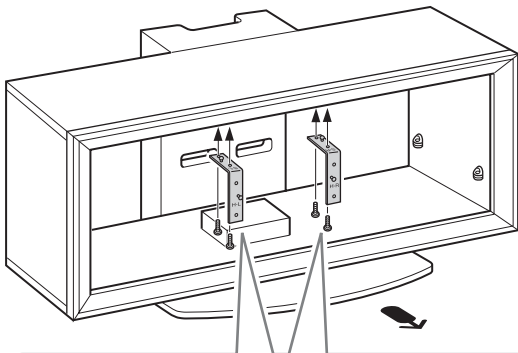


(Continued)

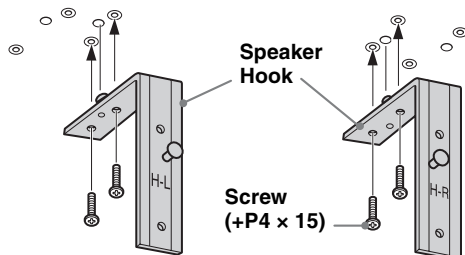
11 (GB)

1 Attach the Speaker Hook.

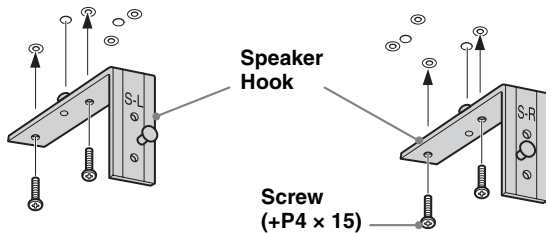
Secure each Speaker Hook with the supplied screws (+P4 × 15) (two screws each for left/right) to the under side of the Top Board.



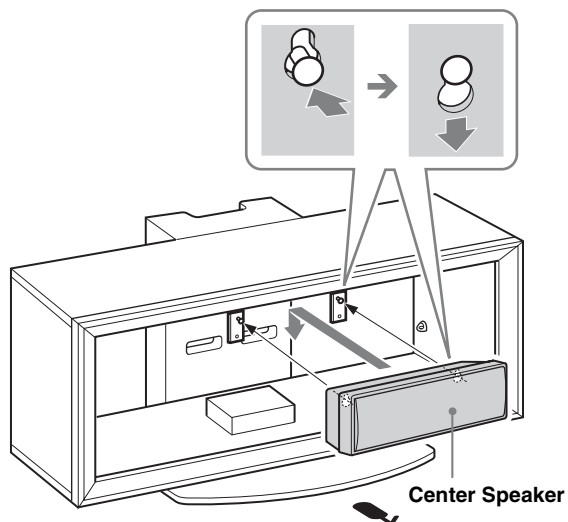
Center Speaker: SS-CT71/CNP2200



Center Speaker: SS-CT72/CT74



2 Hang the Center Speaker onto the hook screws as shown.



Merci d'avoir fait l'acquisition de ce produit.

À l'attention des clients

Ce produit doit être installé uniquement par des représentants agréés du service technique Sony, car il exige la présence d'au moins deux personnes, des mesures de sécurité, des connaissances techniques et une attention particulière.

AVERTISSEMENT

Le non-respect des consignes de sécurité ou l'usage incorrect de ce produit peut provoquer des blessures graves ou un incendie.

Ce mode d'emploi contient la procédure d'utilisation du produit et les précautions essentielles pour éviter tout accident. Lisez attentivement ce manuel et utilisez correctement le produit. Conservez ce manuel pour pouvoir le consulter ultérieurement.

À l'attention des détaillants Sony

Un téléviseur doit être installé par deux personnes au moins, en prenant les précautions d'usage et en utilisant les techniques appropriées. Lors de l'installation d'un téléviseur, reportez-vous au présent mode d'emploi. Sony décline toute responsabilité en cas d'accident ou de dommages provoqués par une installation ou une utilisation incorrecte. Le présent mode d'emploi doit être remis au client après installation.

À propos de la sécurité

Les produits Sony sont conçus pour vous offrir le maximum de sécurité. L'utilisation incorrecte peut provoquer des blessures graves en cas d'incendie, d'électrocution, ou si l'appareil tombe ou bascule. Veillez à observer les consignes de sécurité pour éviter de tels accidents.

ATTENTION

Produits spécifiés

Les produits suivants sont sujets à modification sans préavis. Il est possible que certains modèles ne soient plus en stock ou que leur production ait été arrêtée, ou encore qu'ils ne soient plus disponibles dans certaines régions.

	Téléviseur couleur LCD	
SU-FL300M	KDL-46W3500	KDL-40D2600
	KDL-46W3100	KLV-40W300A
	KDL-46W3000	KLV-40V300A
	KDL-46V3100	KLV-40D300A
	KDL-46V3000	KDL-37S3100
	KDL-46VL130	KLV-37S310A
	KDL-46S3000	KDL-32XBR4
	KDL-46D3550	KDL-32V3100
	KDL-46D3500	KDL-32T3000
	KDL-46D3100	KDL-32T2800
	KDL-46D3010	KDL-32T2600
	KDL-46D3000	KDL-32S3100
	KLV-46W300A	KDL-32S3000
	KLV-46V300A	KDL-32SL130
	KLV-46D300A	KDL-32D3100
	KDL-40W3500	KDL-32D3010
	KDL-40W3100	KDL-32D3000
	KDL-40W3000	KDL-32D2810
	KDL-40V3100	KDL-32D2710
	KDL-40V3000	KDL-32D2600
	KDL-40VL130	KLV-32V300A
	KDL-40T3000	KLV-32S310A
	KDL-40T2800	KLV-32D300A
	KDL-40T2600	
	KDL-40S3000	
	KDL-40SL130	
	KDL-40D3550	
	KDL-40D3500	
	KDL-40D3100	
	KDL-40D3010	
KDL-40D3000		
KDL-40D2810		
KDL-40D2710		
SU-FL300L	KDL-52W3000	
	KDL-52WL130	
	KDL-46W3000	
	KDL-46V3000	
	KDL-46VL130	
	KDL-46S3000	

Ce support TV est conçu pour être utilisé avec les produits spécifiés ci-dessus. Pour les autres téléviseurs, reportez-vous à leur mode d'emploi pour vérifier si vous pouvez utiliser ce support TV.

Certains téléviseurs sont fournis avec un livret qui explique comment installer le support TV.

AVERTISSEMENT

Le non-respect des consignes suivantes peut être fatal ou entraîner des blessures graves en cas d'incendie, d'électrocution, ou si l'appareil bascule.

Les produits ne doivent être installés que par des représentants agréés du service technique Sony.

Le téléviseur et son support sont très lourds ; toute installation par un tiers non agréé risque de provoquer des blessures graves.

Veillez prendre toutes les mesures nécessaires afin d'éviter que le support TV ne bascule.

Dans le cas contraire, le téléviseur risque de basculer et de provoquer des blessures.

Ancrez le téléviseur sur un mur, etc., afin d'éviter qu'il ne bascule.

Veillez à installer le support TV sur une surface plane et solide.

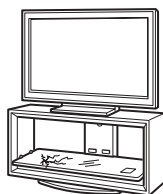
N'installez pas le support TV s'il penche d'un côté. Sinon, le support TV risque de basculer ou le téléviseur risque de tomber.

Vous pourriez endommager le téléviseur ou vous blesser. Si vous installez le support TV sur une surface moelleuse, comme un tapis ou une moquette, posez au préalable une plaque à l'emplacement concerné.

N'utilisez pas de support TV fissuré.

N'utilisez pas le support TV s'il est fissuré. Le verre risque de casser et de faire basculer le téléviseur, provoquant ainsi des blessures graves ou des dégâts.

Support TV fissuré



Ne vous appuyez pas sur le téléviseur et ne vous y suspendez pas.

Le support TV risque de basculer et le téléviseur risque de tomber, ce qui peut provoquer des blessures graves, voire la mort.



Veillez à ce que les enfants ne grimpent pas sur le support TV et empêchez-les de se faufiler entre les étagères.

Les enfants risquent de se blesser gravement ou d'être tués s'ils grimpent sur le meuble ou sur les étagères et brisent le verre ou font basculer le meuble et le téléviseur.



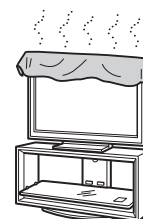
Ne montez pas sur le support TV.

Vous risquez de tomber ou de briser le verre et de vous blesser.



Ne bouchez pas les orifices de ventilation du téléviseur.

Si vous couvrez les orifices de ventilation du téléviseur (avec un drap ou autre), le téléviseur risque de surchauffer et de provoquer un incendie.



Veillez à ne pas coincer le cordon d'alimentation ou le câble de raccordement.

- Veillez à ne pas coincer le cordon d'alimentation ou le câble de raccordement lorsque vous installez le téléviseur sur le support TV. L'endommagement du cordon d'alimentation ou du câble de raccordement peut entraîner un incendie ou l'électrocution.
- Ne marchez pas sur le cordon d'alimentation ou sur le câble de raccordement lorsque vous transportez le support TV. Le cordon d'alimentation ou le câble de raccordement peuvent être endommagés, entraînant un incendie ou l'électrocution.



Ne déplacez pas le support TV si le téléviseur est fixé dessus ou si des appareils y sont raccordés.

Si vous déplacez le support TV lorsque le téléviseur est fixé dessus, vous pourriez vous faire mal au dos, le support TV pourrait tomber et vous risqueriez de vous blesser. De plus, les appareils raccordés pourraient tomber et briser le verre.



ATTENTION

Le non-respect des précautions suivantes peut entraîner des dommages corporels ou matériels.

N'installez pas d'autre équipement que le produit spécifié.

- Ce support TV est conçu pour être utilisé uniquement avec le produit spécifié. Si vous installez un autre équipement que celui spécifié, il risque de tomber ou de se briser et de provoquer des blessures.
- Ne placez aucun objet sur le support TV, tels que vases, poteries, etc.
- Ne démontez pas sur le support TV.
- Ne placez aucun objet chaud directement sur le support TV. La chaleur risque de décolorer ou de déformer le support TV.
- Ne placez aucun objet sur le support TV pouvant briser le verre.

Veillez à bien fixer le téléviseur.

Fixez le téléviseur au support TV à l'aide des fixations fournies. Si le téléviseur n'est pas installé correctement, il risque de tomber ou le support TV risque de basculer, entraînant des blessures.

Ne vous appuyez pas sur le verre et ne le soumettez pas à des chocs.

Ne vous appuyez pas sur le support TV avec les mains lors de l'installation du téléviseur. Ne cognez pas le support TV avec des objets durs, tels qu'un tournevis, etc. Le verre risque de se briser et de provoquer des blessures.

Transport du support TV

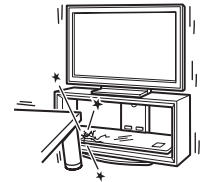
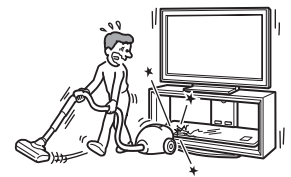
Vous risquez de vous blesser si vous essayez de déplacer vous-même le support TV ou si vous ne tenez pas compte des procédures appropriées énoncées ci-après. Afin d'éviter cela, suivez les conseils ci-dessous.

- Assurez-vous qu'au moins deux personnes transportent le support TV et que vous avez préalablement retiré le téléviseur, les appareils qui lui sont raccordés et les étagères en verre.
- Ne tirez pas sur le support TV. Les pièces de la base du support TV risquent de s'enlever et vous risquez d'endommager votre sol.
- Veillez à ne pas coincer vos mains ou vos pieds sous le panneau inférieur.
- Lorsque vous transportez le support TV, ne le tenez pas par l'étagère en verre.

Ne soumettez pas le verre à un choc trop violent.

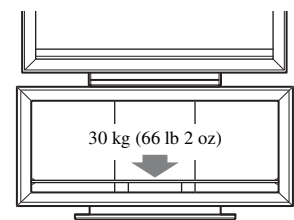
Même si ce support TV est en verre trempé, il est nécessaire de le manier avec précaution. Si le verre rompt, les bris de verre peuvent provoquer des blessures. Il est par conséquent important de respecter les consignes de sécurité ci-dessous.

- Ne heurtez pas le verre et ne laissez aucun objet pointu tomber dessus. Évitez les chocs violents.
- Ne rayez pas le verre et évitez de le heurter avec des objets pointus.
- Ne frappez pas les bords du verre avec un objet lourd, tel qu'un aspirateur.



Remarque à propos de la capacité de charge

Ne placez aucun équipement qui dépasse la capacité de charge maximale de chaque étagère, comme indiqué sur l'illustration. Sinon, les étagères risquent de se rompre.



Remarques à propos de l'installation

- Lorsque vous montez le support TV, protégez le sol avec les emballages.
- Installez le support TV sur une surface plane et solide. Le support ne doit jamais être installé selon un angle ou incliné. Pour éviter cela, respectez les consignes de sécurité suivantes.
 - N'installez pas le support TV dans un endroit exposé à la lumière directe ou à proximité d'une source de chaleur.
 - N'installez pas le support TV dans un endroit exposé à la chaleur ou à l'humidité, ni à l'extérieur.

Remarque à propos de l'utilisation

Pour maintenir le support TV propre, nettoyez-le de temps en temps avec un chiffon doux et sec. Les taches tenaces peuvent être nettoyées avec un chiffon légèrement imprégné de savon au pH neutre. Veillez à essuyer ensuite la surface avec un chiffon doux et sec. N'utilisez pas de produits chimiques, tels qu'un diluant ou de l'essence, car ils endommageront la surface du support TV.

Aux revendeurs Sony

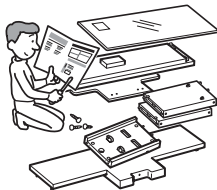
Lisez attentivement les consignes de sécurité énoncées ci-dessus et soyez particulièrement attentif lors de l'installation, de la maintenance, du contrôle et de la réparation de ce produit.

Veillez à ce que le travail d'installation soit effectué par au moins deux personnes.

L'installation du téléviseur sur le support TV doit être effectuée par au moins deux personnes. Si une seule personne se charge de l'installation, un accident ou des blessures peuvent être occasionnés. Veillez à éloigner les enfants lors de l'installation.

Veillez à monter le support TV correctement en suivant les instructions.

Si une vis n'est pas correctement serrée ou si elle est tombée, le support TV risque de basculer. Vous pourriez vous blesser ou endommager le téléviseur.



Prenez garde de ne pas vous blesser les mains ou les doigts pendant le montage.

Évitez de vous pincer les doigts ou les mains lorsque vous assemblez le support TV ou installez le téléviseur.

Veillez à installer le téléviseur correctement en suivant les instructions.

Serrez les vis correctement. Si le téléviseur n'est pas installé correctement, il risque de tomber et de provoquer des blessures.

Étape 1 : Vérification des pièces

Nom		Quantité
Panneau supérieur		1
Panneau inférieur		1
Pilier latéral (L)*1		1
Pilier latéral (R)*1		1
Pilier arrière		1
Panneau avant		1
Étagère en verre		1
Vis (+PWH5 × 25)		a*4 8
Vis (+K4 × 20) + Manchon		b*4 2
Vis à cames		c*4 4
Vis (+P4 × 15)		d*4 4
Boulon d'ancrage		e*4 2
Capuchon de vis		f*4 3
Courroie de soutien		g*4 1
Vis (M6 × 18)		
Vis à bois (M3,8 × 20)		
Crochet d'enceinte (L)		1
Crochet d'enceinte (R)		1
Gabarit en papier		4*2
		3*3
Bande		1

*1 Les illustrations ci-dessus sont destinées au SU-FL300M. Elles sont différentes du SU-FL300L. Le SU-FL300L possède deux découpes sur le pilier latéral.

*2 Quatre gabarits papier sont fournis pour le SU-FL300M.

*3 Trois gabarits papier sont fournis pour le SU-FL300L.

*4 Les sachets contenant les pièces sont étiquetés dans l'ordre alphabétique.

Vous devez disposer d'un tournevis cruciforme correspondant aux vis indiquées avant de procéder à l'assemblage.

Étape 2 : Montage du support TV

AVERTISSEMENT

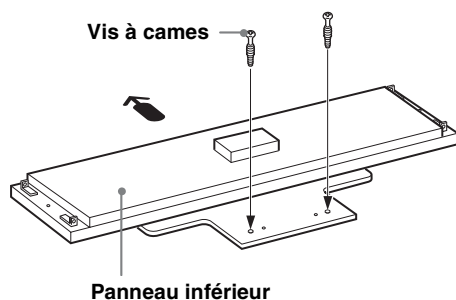
Si vous coincez le cordon d'alimentation sous ou entre des pièces de l'équipement, ceci peut provoquer un court-circuit ou une électrocution. Si vous trébuchez sur le cordon d'alimentation ou le câble de raccordement, le support TV risque de basculer et de provoquer des blessures.

Choisissez l'emplacement d'installation et posez le support TV sur le sol avant d'installer le téléviseur.

Comme le téléviseur est lourd, il est recommandé de choisir au préalable l'emplacement d'installation, et de monter le support TV sur place.

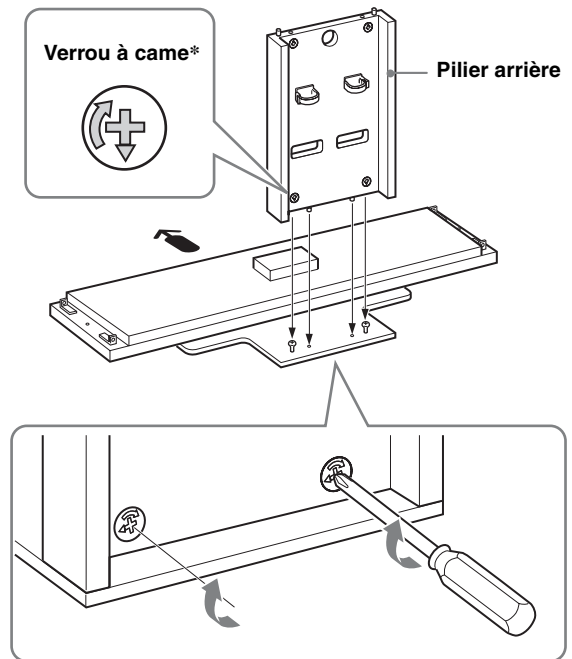
1 Fixez le pilier arrière au panneau inférieur.

- 1 Serrez les deux vis à cames fournies au panneau inférieur.



← Le sens de la flèche indique l'avant du support TV.

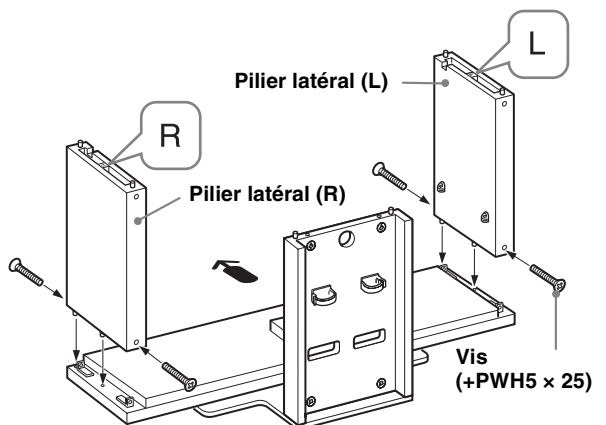
- 2 Fixez le pilier arrière à le panneau inférieur et fixez les verrous à came à l'aide d'un tournevis.



* Avant de fixer le pilier arrière, assurez-vous que les repères ∇ sont dirigés vers le bas.

2 Fixez les piliers latéraux au panneau inférieur.

Fixez les piliers latéraux au panneau inférieur à l'aide des quatre vis fournies (+PWH5 × 25).

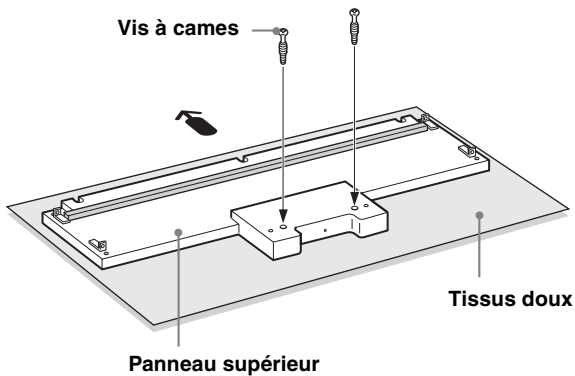


Remarque

Il existe des différences entre les piliers gauche et droit. Veillez à installer chaque pilier du côté adéquat.

3 Fixez le panneau supérieur.

- 1 Serrez les deux vis à cames fournies au panneau supérieur.

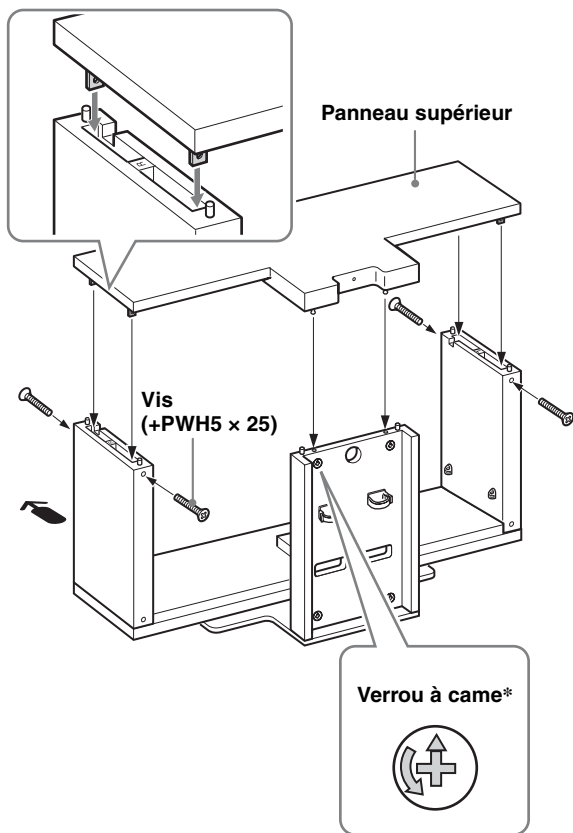


L'illustration ci-dessus représente le SU-FL300M à titre d'exemple. Le SU-FL300L possède deux barres de renforcement sur le panneau supérieur.

Remarque

Pour éviter d'endommager la surface brillante du panneau supérieur, assurez-vous de la nettoyer et de placer un chiffon doux sur la surface de travail.

- 2 Alignez et insérez les supports de fixation des deux côtés du panneau supérieur dans les piliers latéraux.
- 3 Fixez les piliers latéraux à l'aide des quatre vis fournies (+PWH5 × 25). Et fixez les deux derniers verrous à came à l'arrière du pilier arrière.



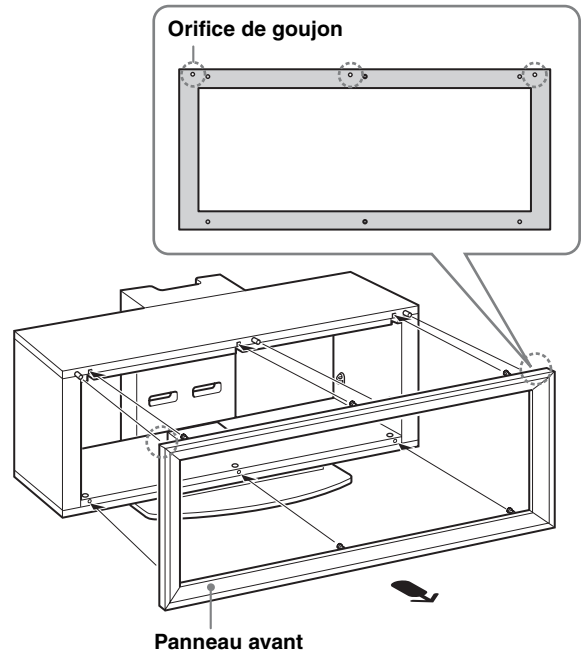
* Avant de fixer le panneau supérieur, assurez-vous que les repères Δ sont dirigés vers le haut.

Remarque

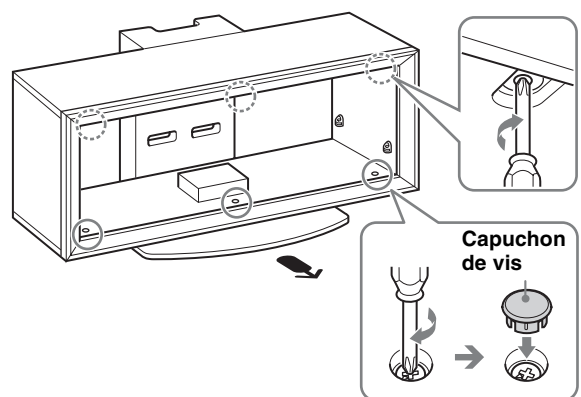
Veillez à ne pas vous coincer les doigts lors de la fixation du panneau supérieur.

4 Fixez le panneau avant au support TV.

- 1 Alignez les trois goujons du support TV sur les trois orifices du panneau avant.



- 2 Tournez les six vis à cames dans le sens des aiguilles d'une montre sur les panneaux supérieur et inférieur pour fixer le panneau avant. Ensuite, fixez les trois capuchons de vis fournis aux trois vis inférieures.



Remarque

N'oubliez pas de fixer le panneau avant dans le sens adéquat.

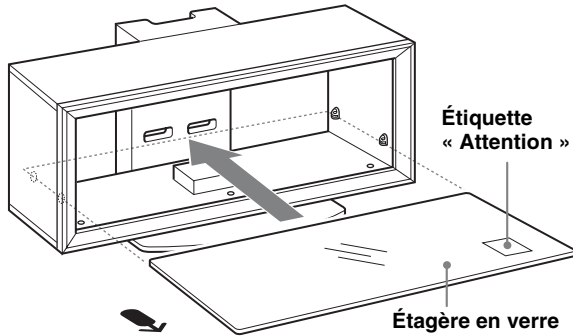
(Suite)

7 (FR)

5 Fixez l'étagère en verre.

Si vous raccordez le système Home Theatre au support, fixez d'abord les crochets d'enceinte. (Consultez la section « Installation de l'enceinte centrale (pour les systèmes Home Theatre uniquement) » à la page 12.)

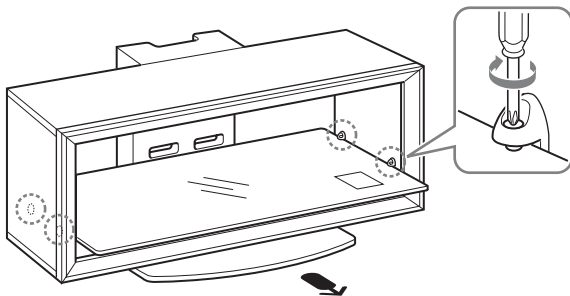
- 1 Insérez complètement l'étagère en verre jusqu'à ce qu'elle touche le pilier arrière.



Remarque

Installez l'étagère en verre sur le support TV en dirigeant l'étiquette « Attention » vers le haut, sur la partie avant droite, comme indiqué sur l'illustration.

- 2 Serrez les quatre vis sur les piliers latéraux pour fixer l'étagère en verre et le support TV.



Étape 3 : Préparation à l'installation du téléviseur

1 Fixez les manchons sur le panneau supérieur.

Fixez les manchons à l'aide des vis fournies (+K4 x 20).

Pour les modèles qui ne sont pas spécifiés à la page 2 :

Utilisez les orifices avant.

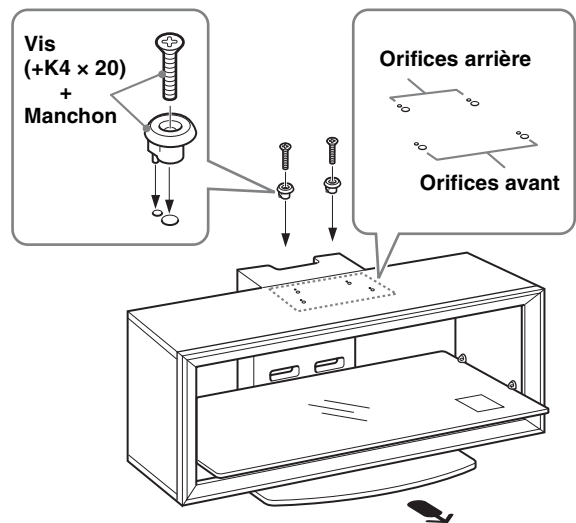
Pour les modèles qui sont spécifiés à la page 2 :

Pour les modèles pivotants*, utilisez les orifices arrière, tandis que pour les modèles non pivotants, utilisez les orifices avant.

Remarque

Consultez le mode d'emploi de votre téléviseur pour vérifier s'il peut pivoter.

* Le pivotement vous permet de régler l'angle de vision du téléviseur (à gauche et à droite).



2 Collez le gabarit en papier fourni sur le panneau supérieur.

- 1 Choisissez le gabarit en papier fourni et alignez les bords du coin droit du gabarit en papier avec le coin droit du panneau supérieur.

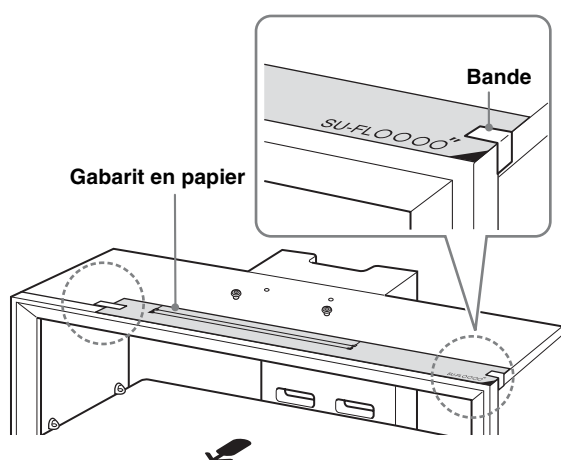
Pour les modèles qui ne sont pas spécifiés à la page 2 :

N'oubliez pas de vous reporter au feuillet fourni avec votre téléviseur et de choisir le gabarit en papier qui lui correspond.

Pour les modèles qui sont spécifiés à la page 2 :

Choisissez le gabarit en papier imprimé en noir qui correspond à la taille de l'écran de votre téléviseur.

- 2 Collez le gabarit en papier sur le panneau supérieur à l'aide de la bande fournie.

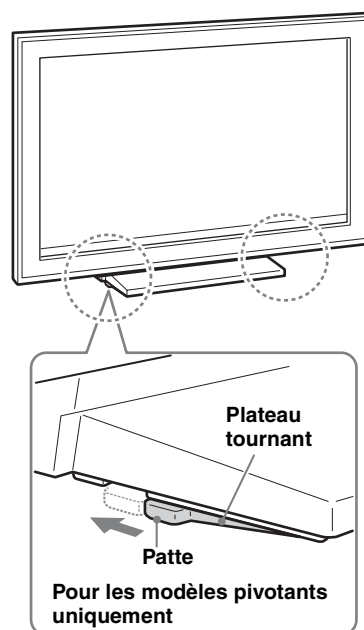


Étape 4 : Installation du téléviseur

Fixez votre téléviseur au support de table, si ce n'est déjà fait. Le paragraphe 1 de l'Étape 4 ne doit être suivie que pour les modèles pivotants spécifiés à la page 2.

1 Réglez le plateau tournant en le réglant en position centrale (Pour les modèles pivotants uniquement).

Avant d'installer le téléviseur, alignez la patte du plateau tournant sur l'encoche du support de table.



AVERTISSEMENT

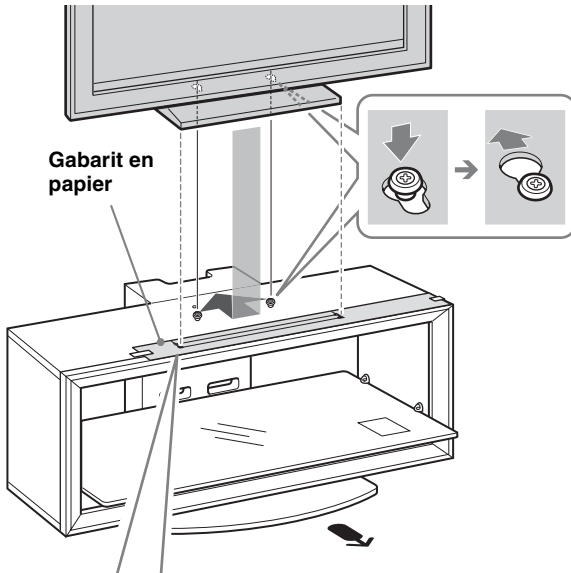
Si le plateau tournant n'est pas correctement réglé, le téléviseur ne sera pas solidement installé et il risque de tomber.

(Suite)

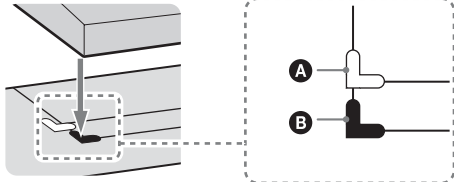
9 (FR)

2 Installez le téléviseur sur le support TV.

- 1 Faites correspondre la forme extérieure du support de table à la forme extérieure correspondant à la taille de l'écran du téléviseur et aux repères des coins du gabarit en papier, afin que les orifices situés sur le dessous du support de table soient alignés sur les manchons qui ont été fixés au paragraphe 1 de l'Étape 3.
- 2 Faites glisser le téléviseur vers l'arrière pour le mettre en place.
- 3 Retirez le gabarit en papier du panneau supérieur.



Uniquement pour les modèles pivotants spécifiés à la page 2



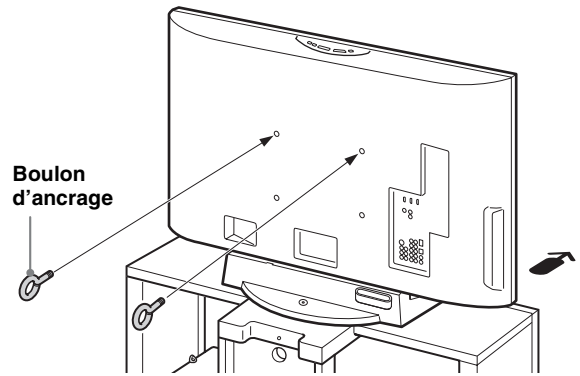
- A Le repère de coin blanc est destiné aux modèles pivotants.
- B Le repère de coin noir est destiné aux modèles non pivotants.

Remarque

Les utilisateurs de téléviseurs de 37/40 pouces, qu'ils soient pivotants ou non, doivent aligner le support de table à l'aide du repère de coin noir. (Aucun repère de coin blanc ne figure sur le gabarit des modèles 37/40 pouces.)

3 Fixez les boulons d'ancrage.

Fixez les deux boulons d'ancrage fournis à l'arrière du téléviseur.



Remarque

Si vous n'utilisez pas les deux boulons d'ancrage pour fixer le téléviseur, celui-ci risque de tomber et vous pourriez vous blesser.

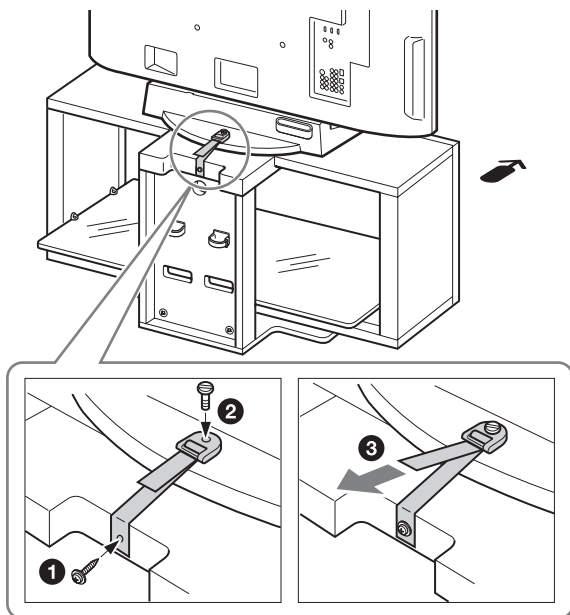
Étape 5 : Mesures de sécurité pour éviter le basculement

AVERTISSEMENT

Veillez à prendre toutes les mesures nécessaires afin d'éviter que le support TV ne bascule, ce qui pourrait provoquer des blessures et des dégâts.

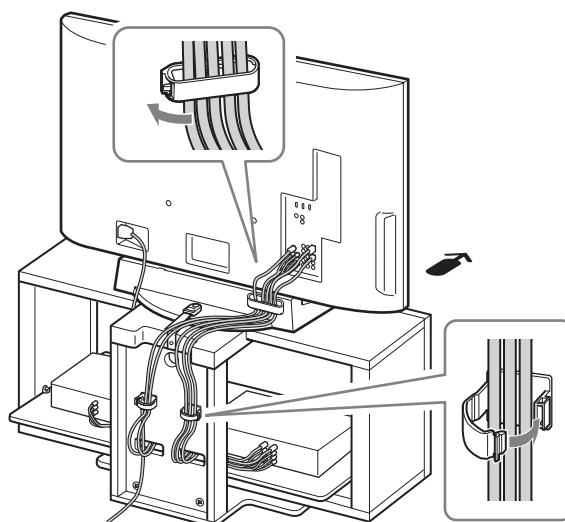
1 Fixez la courroie de soutien.

- 1 Vissez la courroie de soutien sur le support de table avec la vis à bois fournie, à l'aide du tournevis.
- 2 Fixez la courroie de soutien au support de table et vissez la courroie avec la vis de fixation fournie à l'aide d'une pièce de monnaie, etc.
- 3 Réglez la longueur en serrant la courroie de soutien tout en maintenant le support de table.



2 Raccordez les câbles.

Faites passer les câbles dans les passe câbles et les orifices du pilier arrière.



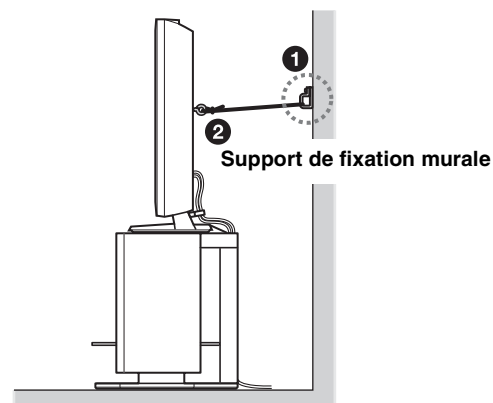
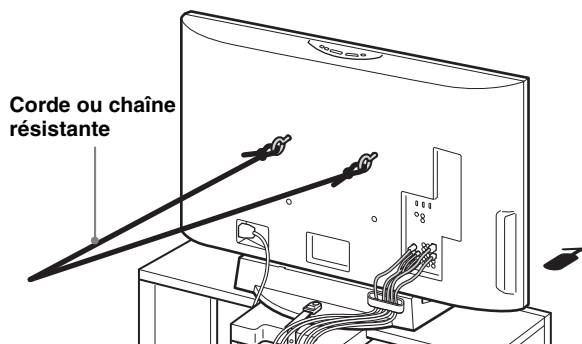
Remarque

Si les câbles ne sont pas installés correctement, vous risquez de les coincer ou de les endommager et de provoquer ainsi une électrocution, etc.

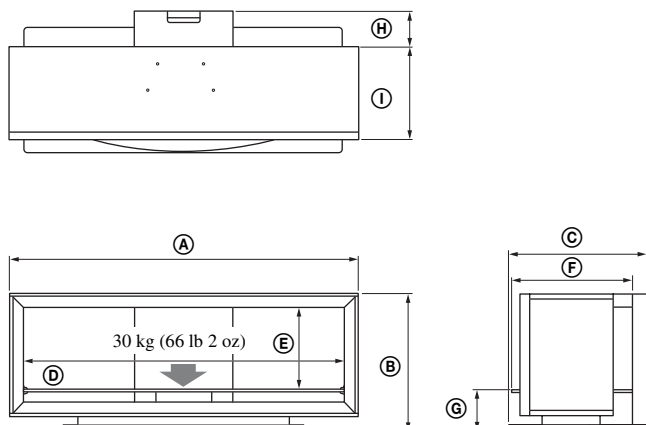
3 Fixez le téléviseur au mur.

Pour cela, vous devez vous procurer une corde ou une chaîne, ainsi que des supports de fixation murale.

- 1 Placez le support de fixation murale sur un mur solide.
- 2 Faites passer la corde ou la chaîne à travers les deux trous des boulons d'ancrage, puis fixez l'autre extrémité de la corde ou de la chaîne au support de fixation murale.



Spécifications



Remarque à propos de la capacité de charge

Ne placez sur l'étagère en verre aucun équipement qui dépasse sa capacité de charge maximale, car elle risque de se briser et vous pourriez vous blesser.

		SU-FL300M	SU-FL300L
Dimensions : mm (pouces)	Ⓐ	1 035 (40 3/4)	1 280 (50 1/2)
	Ⓑ	503 (19 7/8)	503 (19 7/8)
	Ⓒ	485 (19 1/8)	518 (20 1/2)
	Ⓓ	895 (35 1/4)	1 140 (45)
	Ⓔ	303 (12)	303 (12)
	Ⓕ	418 (16 1/2)	468 (18 1/2)
	Ⓖ	146 (5 3/4)	146 (5 3/4)
	Ⓗ	120 (4 3/4)	130 (5 1/8)
	Ⓘ	272 (10 3/4)	340 (13 1/2)
Poids :		35 kg (77 lb 3 oz)	52 kg (114 lb 11 oz)

La conception et les spécifications sont sujettes à modification sans préavis.

Installation de l'enceinte centrale (pour les systèmes Home Theatre uniquement)

Le modèle d'enceinte centrale SS-CT71/CNP2200 est destiné aux modèles Home Theatre suivants :

DAV-HDX665	HT-SF2000
DAV-HDX466	HT-SF1200
DAV-HDX465	HT-SF1100
DAV-HDX267W	DAV-DZ750K
DAV-HDX266	DAV-DZ630
DAV-HDX265	DAV-DZ556KB
DAV-HDX265	DAV-DZ555K
DAV-HDX265	DAV-DZ555M
DAV-HDX265	DAV-DZ530
DAV-HDX265	DAV-DZ250KW
DAV-HDX265	DAV-DZ250K
DAV-HDX265	DAV-DZ250M
DAV-HDX265	DAV-DZ231
DAV-HDX265	DAV-DZ230
DAV-HDX265	DAV-DZ151KB
DAV-HDX265	DAV-DZ150K

Le modèle d'enceinte centrale SS-CT72/CT74 est destiné aux modèles Home Theatre suivants :

DAV-HDX900W	DAV-DZ1000
DAV-HDX501W	DAV-DZ850KW
DAV-HDX500	DAV-DZ850M
	DAV-DZ830W
	DAV-DZ531W

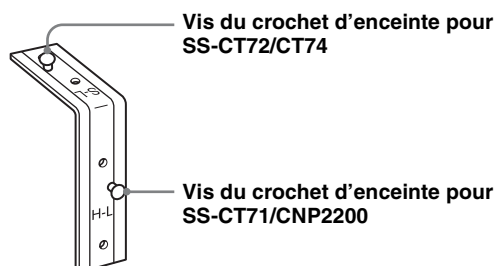
Remarques

- Les produits ci-dessus sont sujets à modification sans préavis, il se peut qu'ils ne soient plus en stock ou que leur production ait été arrêtée.
- Il est possible que certains modèles ne soient pas disponibles dans certaines régions.

Avant de fixer le crochet d'enceinte :

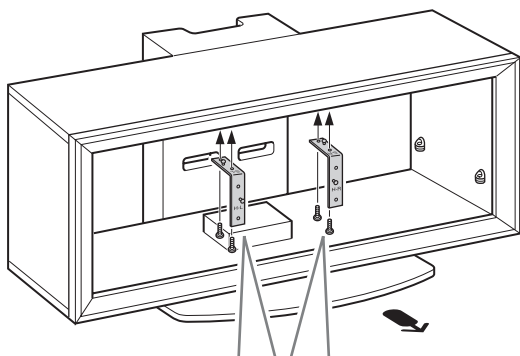
Pour le SS-CT71/CNP2200, les repères H-L/H-R doivent être orientés vers l'avant. (H-L pour le côté gauche, H-R pour le côté droit.)

Pour le SS-CT72/CT74, les repères S-L/S-R doivent être orientés vers l'avant. (S-L pour le côté gauche, S-R pour le côté droit.)

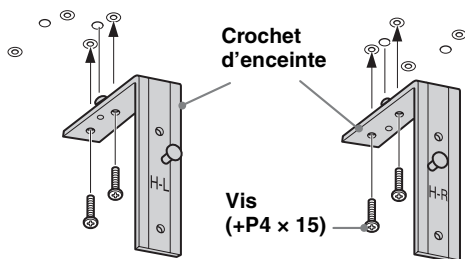


1 Fixez le crochet d'enceinte.

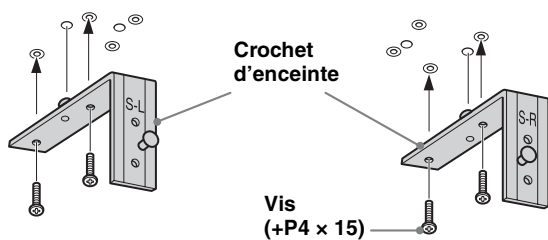
Fixez chaque crochet d'enceinte à l'aide des vis fournies (+P4 x 15) (deux vis chacun pour la gauche/droite) à la face inférieure du panneau supérieur.



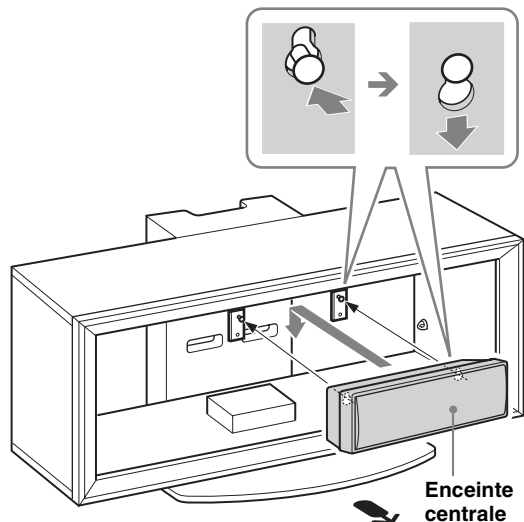
Enceinte centrale : SS-CT71/CNP2200



Enceinte centrale : SS-CT72/CT74



2 Suspendez l'enceinte centrale sur les vis des crochets, comme illustré.



Gracias por comprar este producto.

Información para los clientes

Únicamente representantes de servicio Sony autorizados deben instalar este producto, ya que se requieren al menos dos personas, además de cuidado, medidas de seguridad y conocimientos técnicos especiales.

ADVERTENCIA

Si no se siguen las medidas de seguridad o el producto se utiliza incorrectamente, pueden producirse lesiones graves o incendios.

Este manual de instrucciones muestra la manera correcta de manipular el producto, así como precauciones importantes necesarias para evitar accidentes. Lea este manual atentamente y utilice el producto correctamente. Conserve este manual para consultarlo en el futuro.

Información para los distribuidores de Sony

La instalación de un televisor requiere al menos dos personas, además de un cuidado y conocimientos técnicos especiales. Al instalar un televisor, consulte este manual cuidadosamente. Sony no se responsabiliza de los accidentes o daños que se produzcan debido a la instalación o manejo incorrectos. Entregue este manual al cliente tras la instalación.

Sobre la seguridad

Los productos de Sony están diseñados pensando en la seguridad. El uso incorrecto del producto puede provocar lesiones graves a raíz de un incendio o una descarga eléctrica, o si el producto vuelca o se cae. Para evitar tales accidentes, asegúrese de cumplir las precauciones de seguridad.

PRECAUCIÓN

Productos especificados

Los siguientes productos están sujetos a cambios sin previo aviso. Es posible que no haya existencias disponibles de determinados productos, que dejen de producirse algunos productos o que no estén disponibles en determinadas regiones.

	Televisor LCD en color	
SU-FL300M	KDL-46W3500	KDL-40D2600
	KDL-46W3100	KLV-40W300A
	KDL-46W3000	KLV-40V300A
	KDL-46V3100	KLV-40D300A
	KDL-46V3000	KDL-37S3100
	KDL-46VL130	KLV-37S310A
	KDL-46S3000	KDL-32XBR4
	KDL-46D3550	KDL-32V3100
	KDL-46D3500	KDL-32T3000
	KDL-46D3100	KDL-32T2800
	KDL-46D3010	KDL-32T2600
	KDL-46D3000	KDL-32S3100
	KLV-46W300A	KDL-32S3000
	KLV-46V300A	KDL-32SL130
	KLV-46D300A	KDL-32D3100
	KDL-40W3500	KDL-32D3010
	KDL-40W3100	KDL-32D3000
	KDL-40W3000	KDL-32D2810
	KDL-40V3100	KDL-32D2710
	KDL-40V3000	KDL-32D2600
	KDL-40VL130	KLV-32V300A
	KDL-40T3000	KLV-32S310A
	KDL-40T2800	KLV-32D300A
	KDL-40T2600	
	KDL-40S3000	
	KDL-40SL130	
	KDL-40D3550	
	KDL-40D3500	
	KDL-40D3100	
	KDL-40D3010	
	KDL-40D3000	
	KDL-40D2810	
KDL-40D2710		
SU-FL300L	KDL-52W3000	
	KDL-52WL130	
	KDL-46W3000	
	KDL-46V3000	
	KDL-46VL130	
	KDL-46S3000	

Este soporte para TV se ha diseñado para utilizarse con los productos especificados anteriormente. Para comprobar si es posible utilizar este soporte para TV con otros televisores, consulte los manuales de instrucciones correspondientes. Algunos televisores se suministran con un folleto en el que se explica cómo instalar el soporte para TV.

ADVERTENCIA

Si no se tienen en cuenta las precauciones siguientes, pueden producirse lesiones graves o incluso la muerte a raíz de un incendio o una descarga eléctrica, o si el producto vuelca.

Únicamente representantes de servicio Sony autorizados deben instalar los productos.

El televisor y el soporte para TV son muy pesados; por tanto, si alguna persona no cualificada intenta llevar a cabo la instalación, podría sufrir alguna lesión.

Tome las debidas precauciones para evitar que el soporte para TV se vuelque.

De lo contrario, el televisor podría volcarse y provocar lesiones. Fije el televisor a una pared, etc., para evitar que se vuelque.

Asegúrese de instalar el soporte para TV en una superficie plana y sólida.

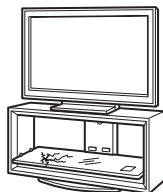
No instale el soporte para TV de modo que se incline en cualquier dirección. En caso contrario, el soporte para TV podría volcarse o el televisor podría caer. Esto podría provocar lesiones o daños.

Si instala el soporte para TV en una superficie blanda, como un tapete o una alfombra, cubra primero dicha zona con un panel.

No utilice un soporte para TV dañado.

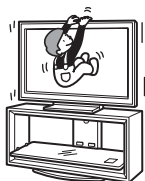
No utilice el soporte para TV si presenta fisuras. El cristal podría romperse y el televisor podría volcar, lo que podría provocar lesiones o daños materiales graves.

Soporte para TV dañado



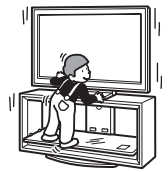
No se apoye en el televisor ni se cuelgue de él.

Podría volcarse el soporte para TV o caerse el televisor y provocar lesiones graves o la muerte.



No permita que los niños se suban en el soporte para TV ni que gateen por las repisas.

Si los niños se suben en el soporte para TV o entre los estantes, el cristal podría romperse o el televisor o el soporte de suelo podrían volcarse y provocarles lesiones graves o incluso la muerte.



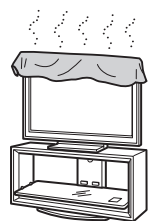
No se suba al soporte para TV.

Podría caerse, o romper el cristal y provocar lesiones.



No cubra los orificios de ventilación del televisor.

Si se cubren los orificios de ventilación (con un paño, etc.), el monitor podría sobrecalentarse y provocar un incendio.



Procure evitar que se aplaste el cable de alimentación o el cable de conexión.

- Evite también que se aplaste el cable de alimentación o el cable de conexión al instalar el televisor en el soporte para TV. Si se daña alguno de estos cables, puede producirse un incendio o una descarga eléctrica.
- No pise el cable de alimentación ni el de conexión al transportar el soporte para TV. Dichos cables podrían dañarse y provocar un incendio o una descarga eléctrica.



No mueva el soporte para TV cuando esté el televisor acoplado o cuando haya algún equipo conectado en el interior.

Si mueve el soporte para TV con el televisor acoplado, podría dañarse la espalda, o bien el soporte para TV podría volcarse y provocar heridas graves. Asimismo, podría caerse cualquier equipo conectado en el interior, rompiendo la repisa de vidrio o provocando otros daños materiales.



PRECAUCIÓN

Si no se tienen en cuenta las siguientes precauciones, pueden producirse daños personales o materiales.

No instale equipos que no sean el producto especificado.

- Este soporte para TV se ha diseñado para utilizarse únicamente con el producto especificado. Si instala equipos que no sean los especificados, pueden caerse o dañarse y provocar lesiones.
- No coloque encima del soporte para TV objetos como jarrones, cerámica, etc.
- No modifique el soporte para TV.
- No coloque ningún objeto caliente directamente encima del soporte para TV. El calor puede ocasionar la decoloración o deformación del soporte para TV.
- No coloque nada que pueda dañar el cristal directamente encima del soporte para TV.

Asegúrese de fijar bien el televisor.

Utilice los accesorios de anclaje suministrados para fijar el televisor en el soporte para TV. Si no instala el televisor adecuadamente, puede caerse, o el soporte para TV puede volcarse y provocar lesiones.

No aplique peso al cristal ni lo someta a golpes.

Al instalar el televisor, no se apoye con la mano en el soporte para TV. No golpee el soporte para TV con objetos duros, como un destornillador, etc., ya que puede romperse el cristal y provocar lesiones.

Transporte del soporte para TV

Si intenta mover el soporte para TV usted solo o sin seguir los procedimientos adecuados, puede sufrir alguna lesión. Para evitarlo, asegúrese de seguir los consejos que se ofrecen a continuación.

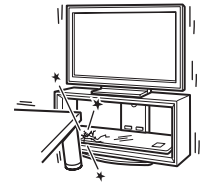
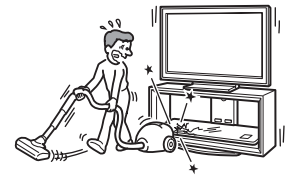
- Procure que dos o más personas transporten el soporte para TV, pero sólo después de haber retirado el televisor, el equipo conectado y las repisas de vidrio.
- No arrastre el soporte para TV. Las piezas de la base del soporte para TV podrían soltarse y dañar el suelo.
- Tenga cuidado de que las manos o los pies no queden atrapados debajo de la placa base.
- No agarre el soporte para TV por la repisa de vidrio durante su transporte.

No someta el cristal a golpes fuertes.

Aunque este soporte para TV está construido con vidrio endurecido, debe tenerse cuidado.

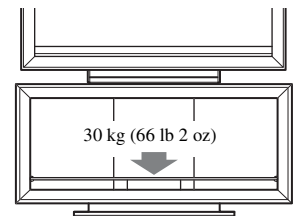
Si el cristal se rompe, los fragmentos pueden provocar lesiones. Para evitar esta situación, tome las precauciones que se indican a continuación.

- No golpee el cristal ni deje caer objetos puntiagudos sobre el mismo. Evite los impactos fuertes.
- No raye ni presione el cristal con objetos puntiagudos.
- Evite que objetos contundentes, como una aspiradora, golpeen los bordes del cristal.



Nota sobre la capacidad de carga

No coloque ningún equipo que supere el peso máximo permitido para cada repisa indicado en la ilustración. En caso contrario, las repisas podrían romperse.



Notas sobre la instalación

- Al llevar a cabo el montaje, coloque el material de embalaje sobre el suelo para evitar que se dañe el suelo.
- Instale el soporte para TV sobre una superficie plana y sólida. No lo instale en ángulo ni inclinado. Para ello, respete las precauciones siguientes.
 - No instale el soporte para TV en un sitio expuesto a la luz directa del sol ni cerca de un calentador.
 - No instale el soporte para TV en un sitio caluroso o húmedo, ni al aire libre.

Nota sobre el uso

Para mantener el soporte para TV limpio, utilice un paño suave y seco. Las manchas resistentes pueden eliminarse con un paño ligeramente humedecido con jabón neutro. Asegúrese de secar la zona a continuación con un paño suave y seco. No utilice productos químicos, como disolventes o bencina, ya que pueden dañar el acabado del soporte para TV.

Información para los distribuidores de Sony

Procure leer detenidamente las instrucciones de seguridad descritas anteriormente y prestar especial atención a la seguridad durante la instalación, mantenimiento, comprobación y reparación del producto.

Asegúrese de que al menos dos o más personas realizan el trabajo de instalación.

Asegúrese de que al menos dos o más personas instalan el televisor en el soporte para TV. Si una persona realiza sola la instalación, puede sufrir accidentes o lesiones. Durante la instalación, procure mantener alejados a los niños.

Asegúrese de seguir las instrucciones para instalar firmemente el soporte para TV.

Si un tornillo no está apretado firmemente, o se cae, el soporte para TV podría volcarse. Esto podría producir lesiones o daños materiales.



Tenga cuidado de no lastimarse las manos o dedos durante el montaje.

Tenga cuidado de no pillarse los dedos ni las manos al montar el soporte para TV e instalar el televisor.

Asegúrese de seguir las instrucciones para instalar firmemente el televisor.

Apriete firmemente los tornillos. Si no instala el televisor adecuadamente, puede caerse y provocar lesiones.

Paso 1: Comprobación de las piezas

Nombre		Cantidad
Placa superior		1
Placa base		1
Pilar lateral (L)*1		1
Pilar lateral (R)*1		1
Pilar posterior		1
Panel frontal		1
Repisa de vidrio		1
Tornillo (+PWH5 × 25)		a*4 8
Tornillo (+K4 × 20) + Funda		b*4 2
Leva de fijación		c*4 4
Tornillo (+P4 × 15)		d*4 4
Perno de anclaje		e*4 2
Tapa del tornillo		f*4 3
Cinta de sujeción		g*4 1
Tornillo (M6 × 18)		
Tornillo de madera (M3,8 × 20)		
Gancho del altavoz (L)		1
Gancho del altavoz (R)		1
Plantilla de papel		4*2
		3*3
Cinta adhesiva		1

*1 Las ilustraciones anteriores corresponden al modelo SU-FL300M. Éstas son diferentes para el modelo SU-FL300L. Para el modelo SU-FL300L existen dos partes cortadas en el lado del pilar lateral.

*2 Con el modelo SU-FL300M se suministran cuatro plantillas de papel.

(Continuación)

5 (ES)

- *³ Con el modelo SU-FL300L se suministran tres plantillas de papel.
- *⁴ Las bolsas de las piezas están etiquetadas alfabéticamente.

Antes de comenzar el montaje, asegúrese de disponer de un destornillador Phillips adecuado para fijar los tornillos indicados arriba.

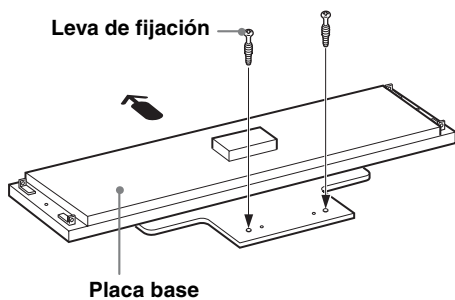
Paso 2: Montaje del soporte para TV

ADVERTENCIA
Si el cable de alimentación de ca queda atrapado debajo de un componente o entre dos o más componentes del equipo, podría producirse un cortocircuito o una descarga eléctrica. Si tropieza con el cable de alimentación o con el cable de conexión, el soporte para TV podría volcarse y provocar lesiones.

Elija la ubicación de instalación y coloque el soporte para TV en el suelo antes de instalar el televisor.
Debido a que el televisor es pesado, se recomienda que elija la ubicación de instalación de antemano y que coloque el soporte para TV en el suelo.

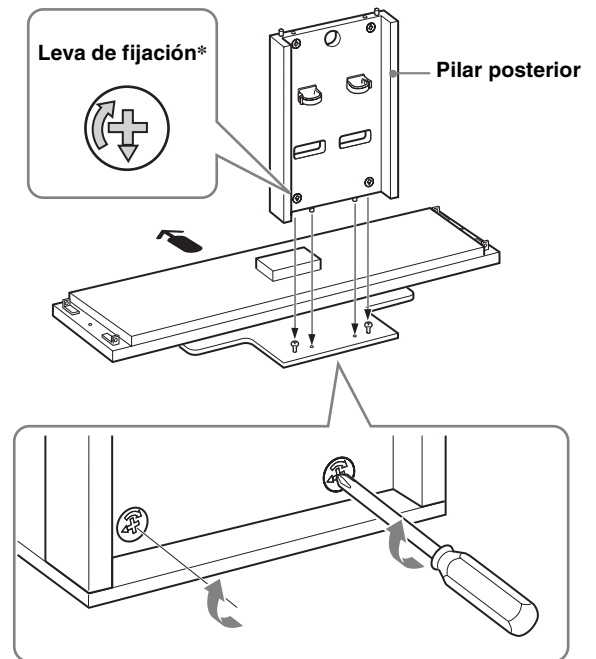
1 Coloque el pilar posterior en la placa base.

- 1 Apriete las dos levas de fijación suministradas en la placa base.



← La dirección que marca la flecha muestra la parte frontal del soporte para TV.

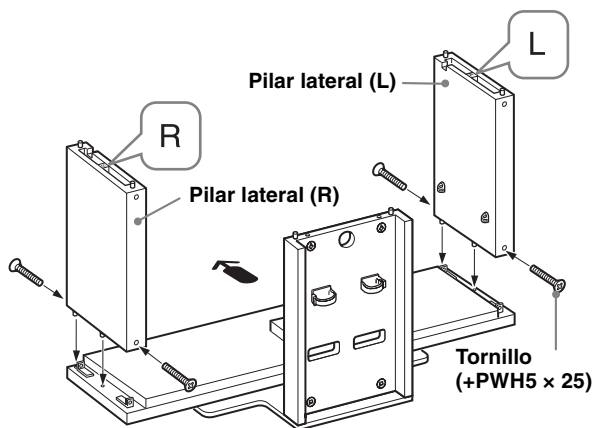
- 2 Coloque el pilar posterior en la placa base y fije firmemente las dos levas de fijación con un destornillador.



* Antes de colocar el pilar posterior, asegúrese de que la marca ▽ indica hacia abajo.

2 Coloque los pilares laterales en la placa base.

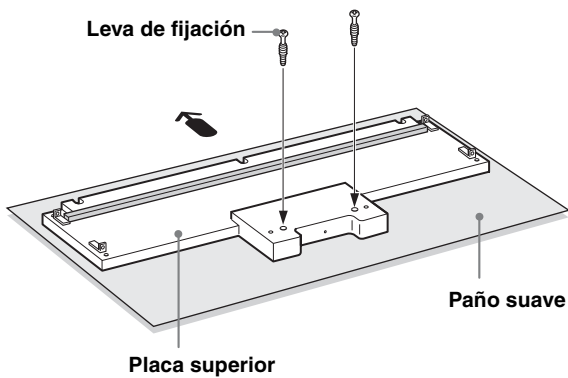
Fije los pilares laterales y la placa base con los cuatro tornillos suministrados (+PWH5 × 25).



Nota
Existen diferencias entre los pilares de la derecha y de la izquierda. Asegúrese de instalar cada pilar en el lado correcto.

3 Coloque la placa superior.

- 1 Apriete las dos levas de fijación suministradas en la placa superior.

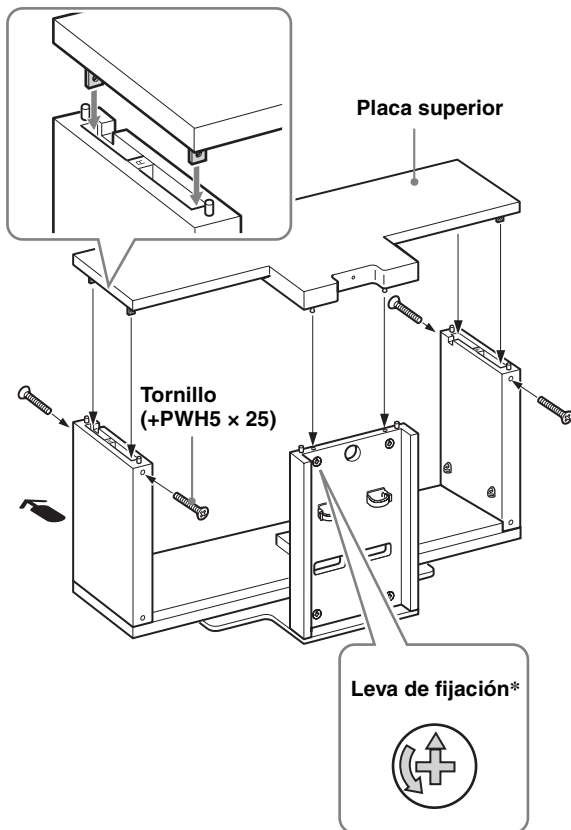


La ilustración que se muestra anteriormente corresponde a un ejemplo del modelo SU-FL300M. Para el SU-FL300L existen dos barras de refuerzo en la placa superior.

Nota

Para evitar dañar la superficie satinada de la placa superior, asegúrese de utilizar un paño suave para limpiarla y para proteger la superficie de trabajo.

- 2 Alinee e inserte los soportes de fijación a ambos lados de la placa superior en los pilares laterales.
- 3 Fije los pilares laterales con los cuatro tornillos suministrados (+PWH5 x 25). Y fije firmemente las dos levas de fijación restantes en la parte de atrás del pilar posterior.



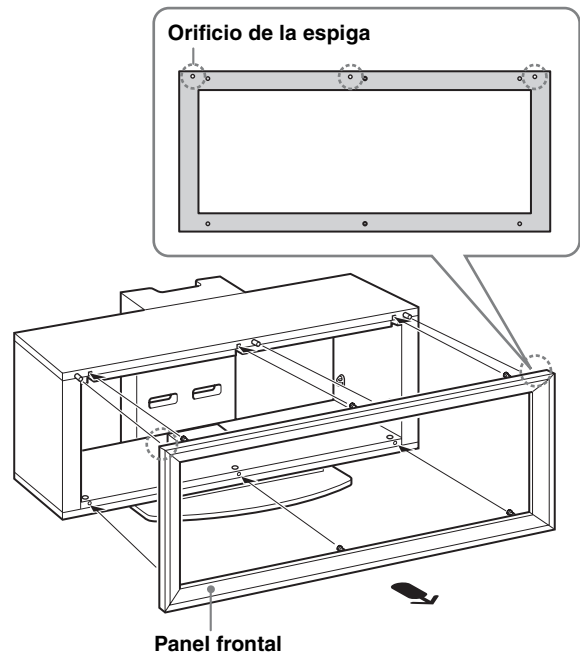
* Antes de colocar la placa superior, asegúrese de que la marca Δ indica hacia arriba.

Nota

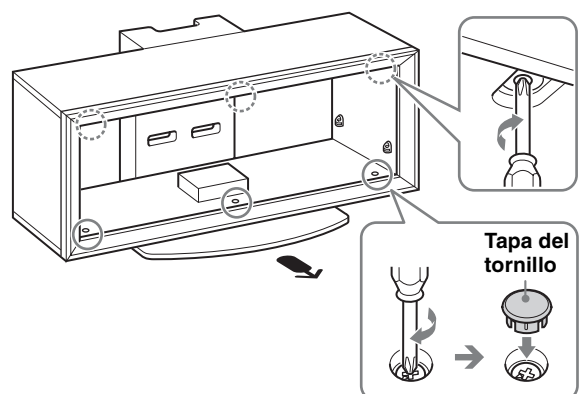
Tenga cuidado de no pillarse los dedos al colocar la placa superior.

4 Fije el panel frontal al soporte para TV.

- 1 Alinee las tres espigas del soporte para TV con los tres orificios del panel frontal.



- 2 Gire las seis levas de fijación en la placa superior y en la placa base hacia la derecha para fijar el panel frontal. A continuación, coloque las tres tapas de tornillos suministradas en los tres tornillos inferiores.



Nota

Asegúrese de colocar el panel frontal en la dirección correcta.

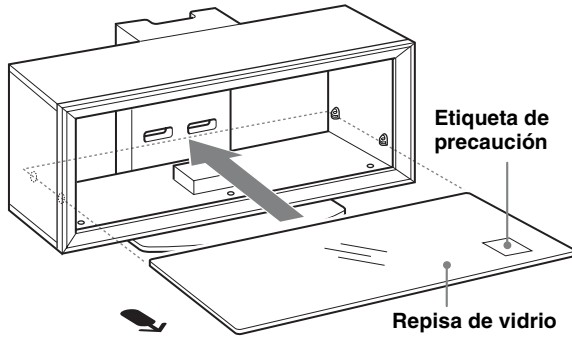
(Continuación)

7 (ES)

5 Fije la repisa de vidrio.

Si coloca el sistema de cine doméstico en el soporte, debe fijar primero los ganchos del altavoz. (Consulte la sección "Instalación del altavoz central (sólo en sistemas de cine doméstico)" en la página 12.)

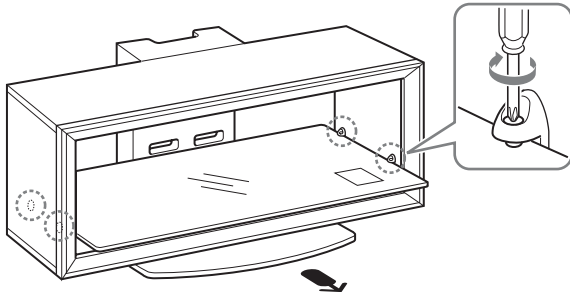
- 1 Inserte completamente la repisa de vidrio hasta que entre en contacto con el pilar posterior.



Nota

Coloque la repisa de vidrio en el soporte para TV de modo que la etiqueta de "Precaución" aparezca situada cara arriba en la parte frontal derecha, tal como se muestra en la ilustración.

- 2 Apriete los cuatro tornillos de los pilares laterales para fijar la repisa de vidrio y el soporte para TV.



Paso 3: Preparación para la instalación del televisor

1 Coloque las fundas en la placa superior.

Coloque las fundas con los tornillos suministrados (+K4 x 20).

Para los modelos no especificados en la página 2:

Utilice los orificios frontales.

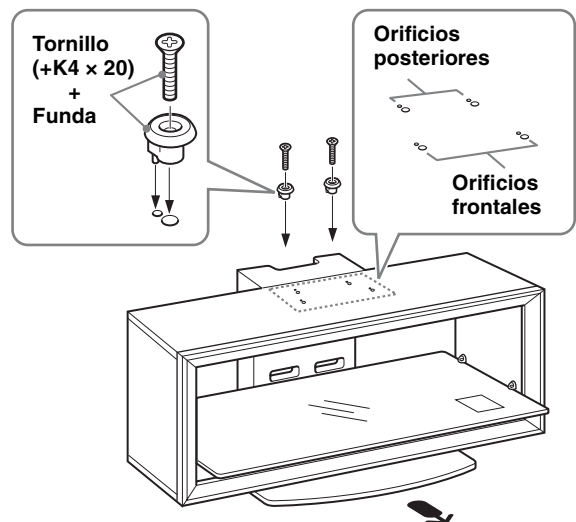
Para los modelos especificados en la página 2:

Para los modelos giratorios*, utilice los orificios posteriores; para los modelos no giratorios, utilice los orificios frontales.

Nota

Compruebe el manual de instrucciones del televisor para saber si es posible girarlo o no.

* La función giratoria permite ajustar el ángulo de visión del televisor (izquierdo y derecho).



2 Pegue la plantilla de papel suministrada en la placa superior.

- 1 Seleccione la plantilla de papel suministrada y haga coincidir los bordes de la esquina derecha de la plantilla de papel con la esquina derecha de la placa superior.

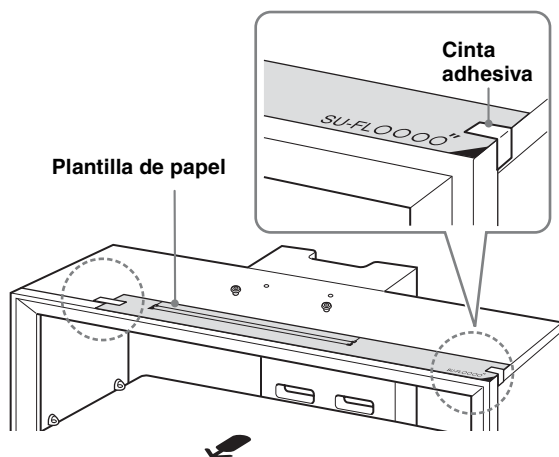
Para los modelos no especificados en la página 2:

Consulte el folleto suministrado con el televisor para seleccionar la plantilla de papel que corresponda.

Para los modelos especificados en la página 2:

Seleccione la plantilla de papel de color negro que corresponda con el tamaño de la pantalla del televisor.

- 2 Pegue la plantilla de papel a la placa superior con la cinta adhesiva suministrada.

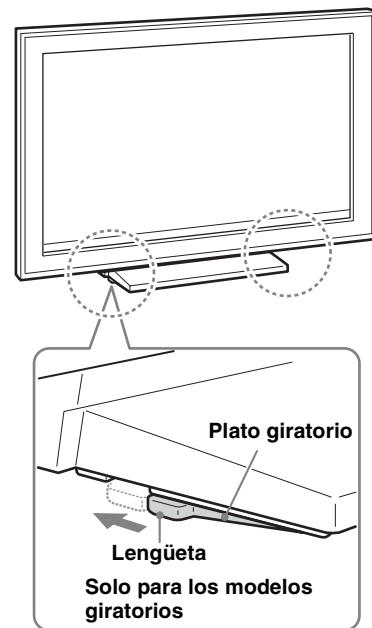


Paso 4: Instalación del televisor

Si el televisor no está en el soporte de sobremesa, colóquelo. En el caso de los modelos giratorios especificados en la página 2, siga el procedimiento descrito en el apartado 1 del paso 4.

1 Ajuste la posición del plato giratorio en el centro (Solo para los modelos giratorios).

Antes de instalar el televisor, alinee la lengüeta del plato giratorio con la muesca del soporte de sobremesa.

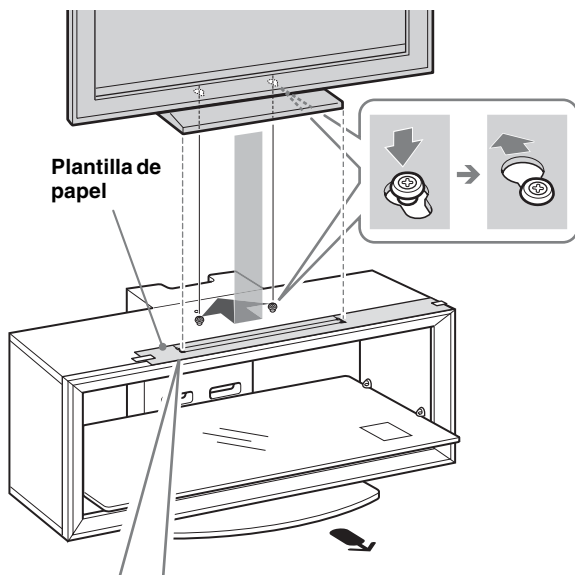


ADVERTENCIA

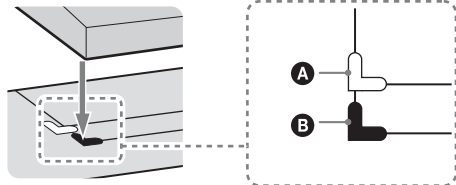
Si el plato giratorio no se ajusta correctamente, el televisor no se instalará firmemente y puede caerse.

2 Instale el televisor en el soporte para TV.

- 1 Haga coincidir el cuadro del soporte de sobremesa con el cuadro del tamaño de la pantalla y las marcas de la esquina de la plantilla de papel, de modo que los orificios de la parte inferior del soporte de sobremesa se alineen con las fundas colocadas en el apartado 1 del paso 3.
- 2 Deslice la parte posterior del televisor de modo que quede encajado en su sitio.
- 3 Extraiga la plantilla de papel de la placa superior.



Solo para los modelos giratorios especificados en la página 2



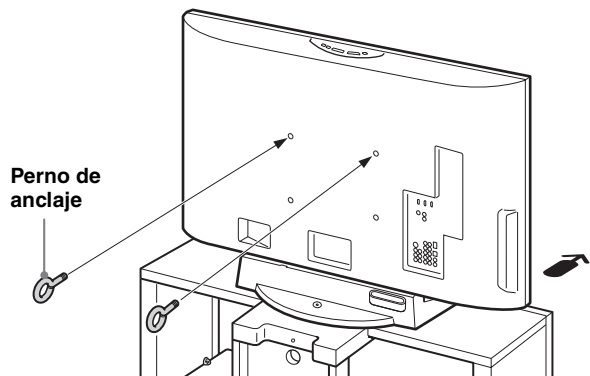
- A La marca blanca de la esquina corresponde a los modelos de tipo giratorio.
- B La marca blanca de la esquina corresponde a los modelos de tipo no giratorio.

Nota

Los usuarios de los televisores de 37/40 pulgadas, giratorios o no, deben alinear el soporte de sobremesa con la marca negra de la esquina. (no hay marca blanca en la esquina de la plantilla de papel para los modelos de 37/40 pulgadas).

3 Fije los pernos de anclaje.

Fije los dos pernos de anclaje suministrados a la parte posterior del televisor.



Nota

Si no se usan los dos pernos de anclaje para fijar el televisor, podría caerse y provocar lesiones.

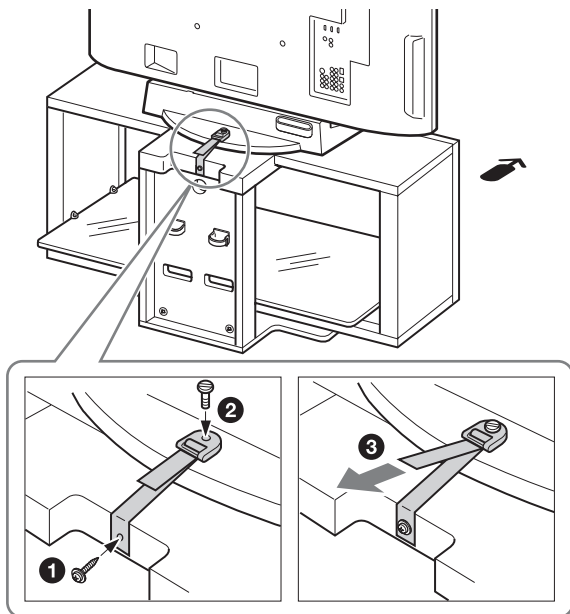
Paso 5: Medidas de seguridad para evitar el vuelco

ADVERTENCIA

Tome las debidas precauciones para evitar que el soporte para TV se vuelque y provoque posibles lesiones y daños materiales.

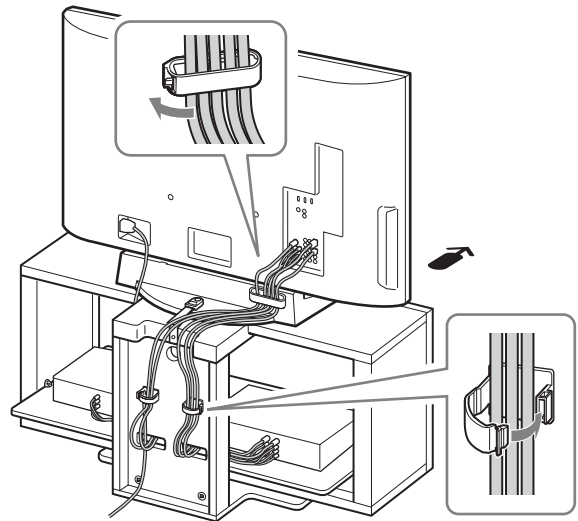
1 Coloque la cinta de sujeción.

- 1 Atornille la cinta de sujeción al soporte para TV con el tornillo de madera, mediante el destornillador.
- 2 Fije la cinta de sujeción al soporte de sobremesa y atornille la cinta con el tornillo de fijación suministrado, mediante una moneda, etc.
- 3 Apriete la cinta de sujeción para ajustar la longitud mientras sujeta el soporte de sobremesa.



2 Conecte los cables.

Pase los cables a través de los portacables y de los orificios del pilar posterior.



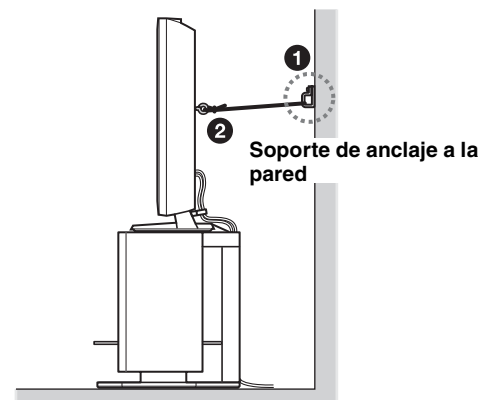
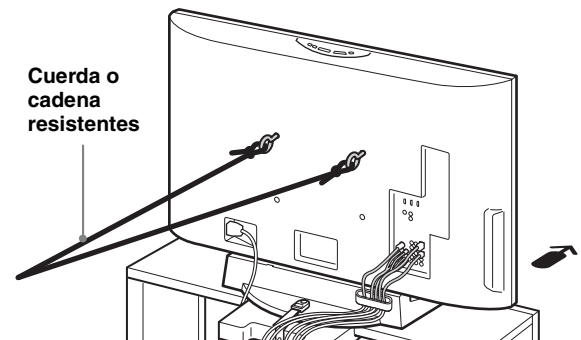
Nota

Si no se instalan los cables correctamente, es posible que queden atrapados y que sufran daños, lo cual podría provocar descargas eléctricas, etc.

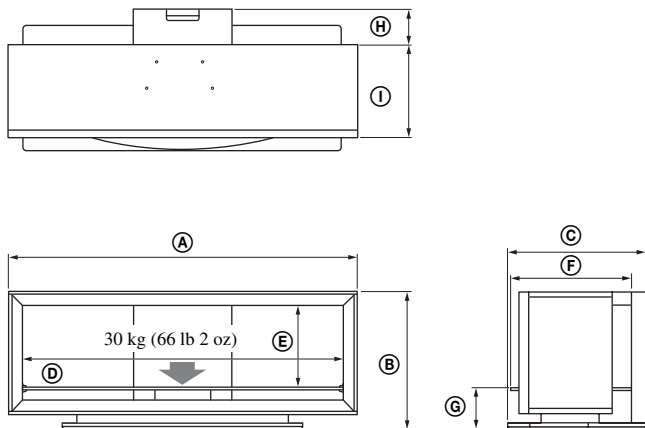
3 Fije el televisor a la pared.

Prepare antes una cuerda resistente o una cadena y un soporte de anclaje a la pared como los que suelen encontrarse en el mercado.

- 1 Fije el soporte de anclaje a la pared en una pared sólida.
- 2 Pase la cuerda o la cadena por los dos agujeros de los pernos de anclaje y tense el otro extremo de la cuerda o la cadena en el soporte de anclaje a la pared.



Especificaciones



Nota sobre la capacidad de carga

No coloque ningún equipo en la repisa de vidrio que supere su peso máximo autorizado, ya que podría romperse y provocar lesiones.

		SU-FL300M	SU-FL300L
Dimensiones: mm (pulgadas)	Ⓐ	1.035 (40 3/4)	1.280 (50 1/2)
	Ⓑ	503 (19 7/8)	503 (19 7/8)
	Ⓒ	485 (19 1/8)	518 (20 1/2)
	Ⓓ	895 (35 1/4)	1.140 (45)
	Ⓔ	303 (12)	303 (12)
	Ⓕ	418 (16 1/2)	468 (18 1/2)
	Ⓖ	146 (5 3/4)	146 (5 3/4)
	Ⓗ	120 (4 3/4)	130 (5 1/8)
	Ⓘ	272 (10 3/4)	340 (13 1/2)
Peso:		35 kg (77 lb 3 oz)	52 kg (114 lb 11 oz)

El diseño y las especificaciones están sujetos a cambios sin previo aviso.

Instalación del altavoz central (sólo en sistemas de cine doméstico)

El modelo SS-CT71/CNP2200 del altavoz central se utiliza con los siguientes modelos de sistema de cine doméstico:

DAV-HDX665	HT-SF2000
DAV-HDX466	HT-SF1200
DAV-HDX465	HT-SF1100
DAV-HDX267W	DAV-DZ750K
DAV-HDX266	DAV-DZ630
DAV-HDX265	DAV-DZ556KB
DAV-HDX265	DAV-DZ555K
DAV-HDX265	DAV-DZ555M
DAV-HDX265	DAV-DZ530
DAV-HDX265	DAV-DZ250KW
DAV-HDX265	DAV-DZ250K
DAV-HDX265	DAV-DZ250M
DAV-HDX265	DAV-DZ231
DAV-HDX265	DAV-DZ230
DAV-HDX265	DAV-DZ151KB
DAV-HDX265	DAV-DZ150K

El modelo SS-CT72/CT74 del altavoz central se utiliza con los siguientes modelos de sistema de cine doméstico:

DAV-HDX900W	DAV-DZ1000
DAV-HDX501W	DAV-DZ850KW
DAV-HDX500	DAV-DZ850M
DAV-HDX500	DAV-DZ830W
DAV-HDX500	DAV-DZ531W

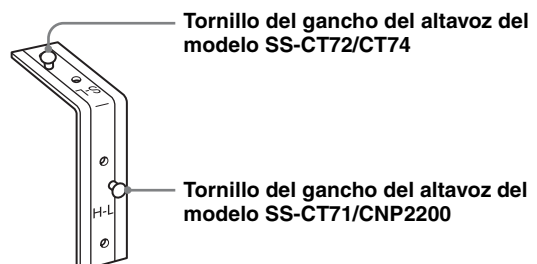
Notas

- Los productos mencionados anteriormente están expuestos a cambios si previo aviso, es posible que no haya existencias o que éstos dejen de producirse.
- Es posible que determinados modelos no estén disponibles en determinadas regiones.

Antes de colocar el gancho del altavoz:

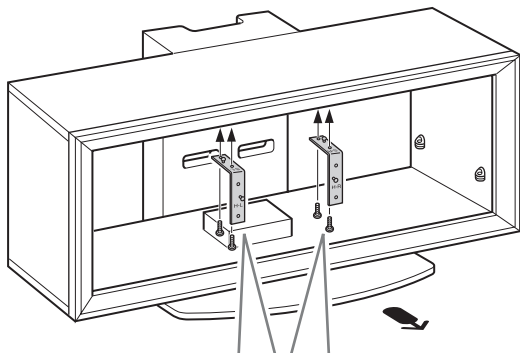
En el modelo SS-CT71/CNP2200, las marcas H-L/H-R deben estar orientadas hacia delante. (La marca H-L es para la parte izquierda, mientras que la marca H-R es para la parte derecha.)

En el modelo SS-CT72/CT74, las marcas S-L/S-R deben estar orientadas hacia delante. (La marca S-L es para la parte izquierda, mientras que la marca S-R es para la parte derecha.)

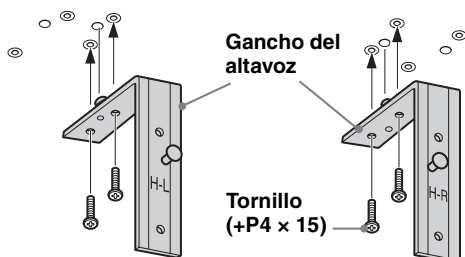


1 Coloque el gancho del altavoz.

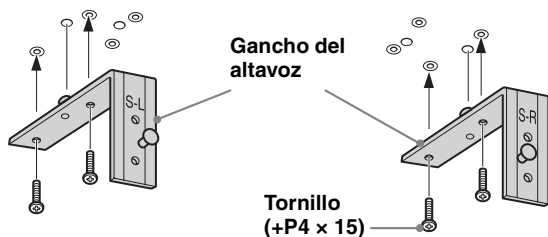
Fije cada gancho del altavoz con los tornillos suministrados (+P4 x 15) (dos tornillos para el derecho/izquierdo) a la parte inferior de la placa superior.



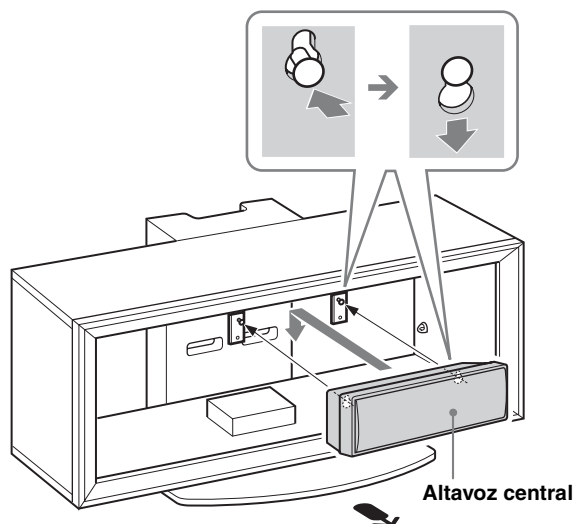
Altavoz central: SS-CT71/CNP2200



Altavoz central: SS-CT72/CT74



2 Cuelgue el altavoz central en los tornillos del gancho tal y como se muestra en la ilustración.



Obrigado por ter adquirido este produto.

Para os clientes

Este produto só deve ser instalado por representantes de assistência técnica Sony qualificados, dado serem necessárias duas ou mais pessoas, cuidado especial, segurança e técnica.

AVISO

O não cumprimento das precauções de segurança ou a utilização incorrecta do produto poderá provocar lesões graves ou um incêndio.

Este manual de instruções descreve as precauções importantes necessárias para evitar acidentes e utilizar o produto de forma correcta. Leia este manual na íntegra e utilize o produto correctamente. Guarde este manual para futuras consultas.

Para os agentes da Sony

Para a instalação de um televisor são necessárias duas ou mais pessoas, cuidado especial e técnica. Ao instalar um televisor, consulte cuidadosamente este manual. A Sony não se responsabiliza por quaisquer acidentes ou danos causados pela instalação ou manuseamento incorrecto. Após a instalação, entregue este manual de instruções ao cliente.

Segurança

Os produtos da Sony são concebidos para oferecer a máxima segurança. Uma utilização incorrecta poderá provocar lesões graves no caso de incêndio, choque eléctrico ou queda do produto. Para evitar esse tipo de acidentes, respeite as precauções de segurança.

ATENÇÃO

Produtos especificados

Os seguintes produtos estão sujeitos a alterações sem aviso prévio. Determinados modelos poderão estar esgotados, ser descontinuados ou não se encontrar disponíveis em certas regiões.

	Televisor a Cores com Ecrã LCD	
SU-FL300M	KDL-46W3500	KDL-40D2600
	KDL-46W3100	KLV-40W300A
	KDL-46W3000	KLV-40V300A
	KDL-46V3100	KLV-40D300A
	KDL-46V3000	KDL-37S3100
	KDL-46VL130	KLV-37S310A
	KDL-46S3000	KDL-32XBR4
	KDL-46D3550	KDL-32V3100
	KDL-46D3500	KDL-32T3000
	KDL-46D3100	KDL-32T2800
	KDL-46D3010	KDL-32T2600
	KDL-46D3000	KDL-32S3100
	KLV-46W300A	KDL-32S3000
	KLV-46V300A	KDL-32SL130
	KLV-46D300A	KDL-32D3100
	KDL-40W3500	KDL-32D3010
	KDL-40W3100	KDL-32D3000
	KDL-40W3000	KDL-32D2810
	KDL-40V3100	KDL-32D2710
	KDL-40V3000	KDL-32D2600
	KDL-40VL130	KLV-32V300A
	KDL-40T3000	KLV-32S310A
	KDL-40T2800	KLV-32D300A
	KDL-40T2600	
	KDL-40S3000	
	KDL-40SL130	
	KDL-40D3550	
	KDL-40D3500	
KDL-40D3100		
KDL-40D3010		
KDL-40D3000		
KDL-40D2810		
KDL-40D2710		
SU-FL300L	KDL-52W3000	
	KDL-52WL130	
	KDL-46W3000	
	KDL-46V3000	
	KDL-46VL130	
	KDL-46S3000	

Este Suporte de Televisor destina-se à utilização com os produtos acima especificados. Para outros televisores, consulte as respectivas instruções de funcionamento para verificar se este Suporte de Televisor pode ser utilizado. Alguns televisores são fornecidos com um folheto explicativo acerca da instalação do Suporte de Televisor.

AVISO

O não cumprimento das seguintes precauções poderá provocar morte ou lesões graves através de incêndio, choque eléctrico ou queda do produto.

Os produtos deverão ser instalados apenas por representantes de assistência técnica Sony qualificados.

O televisor e o Suporte de Televisor são muito pesados; a instalação por pessoal não qualificado poderá provocar lesões graves.

Certifique-se de que toma as medidas apropriadas para evitar que o Suporte de Televisor caia.

Se não o fizer, o televisor poderá cair e provocar lesões. Fixe o televisor a uma parede etc., de forma a evitar que este caia.

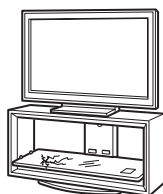
Certifique-se de que instala o Suporte de Televisor numa superfície resistente e nivelada.

Não instale o Suporte de Televisor inclinado numa direcção. Se o fizer, o Suporte de Televisor poderá tombar e o televisor cair. Isto poderá provocar lesões ou danos. Se quiser instalar o Suporte de Televisor numa superfície mole, por exemplo, em cima de um tapete, coloque uma tábua por baixo do Suporte de Televisor.

Não utilize um Suporte de Televisor fissurado.

Não utilize o Suporte de Televisor se este apresentar quaisquer fissuras. O vidro poderá quebrar e provocar a queda do televisor, causando lesões ou danos graves.

Suporte de Televisor fissurado



Não se apoie nem fique suspenso no televisor.

O Suporte de Televisor poderá tombar ou o televisor cair e provocar lesões graves ou morte.



Não permita que as crianças subam para cima do Suporte de Televisor ou permaneçam entre as prateleiras.

Se uma criança subir para o Suporte de Televisor ou se meter entre as prateleiras, poderão ocorrer ferimentos graves ou mesmo morte, devido à quebra do vidro ou do Suporte de Televisor, e o televisor tombar.



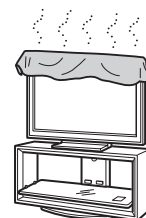
Não ande sobre o Suporte de Televisor.

Poderá cair ou quebrar o vidro e provocar lesões.



Não tape as aberturas de ventilação do televisor.

Se tapar as aberturas de ventilação (com um pano etc.), o aparelho pode sobreaquecer e incendiar-se.



Não trilhe o cabo de alimentação nem o cabo de ligação.

- Não trilhe o cabo de alimentação nem o cabo de ligação quando instalar o televisor no Suporte de Televisor. Se o cabo de alimentação ou de ligação estiver danificado, poderá provocar um incêndio ou choque eléctrico.
- Não pise o cabo de alimentação ou de ligação quando transportar o Suporte de Televisor. Se o cabo de alimentação ou de ligação estiver danificado, poderá provocar um incêndio ou choque eléctrico.



Não desloque o Suporte de Televisor com o televisor fixo ou com equipamento ligado no interior.

Se deslocar o Suporte de Televisor com o televisor fixo, poderá magoar as costas ou causar a queda do Suporte de Televisor, provocando lesões graves. Qualquer equipamento ligado no interior poderá também cair, podendo quebrar a prateleira de vidro ou provocar outros danos materiais.



ATENÇÃO

Se não respeitar as seguintes precauções, poderá provocar lesões ou danos materiais.

Instale unicamente os produtos especificados.

- Este Suporte de Televisor só pode ser utilizado com o produto especificado. A instalação de qualquer outro equipamento que não o especificado poderá resultar na queda ou quebra do Suporte de Televisor e provocar lesões.
- Não coloque objectos sobre o Suporte de Televisor como, por exemplo, jarras de flores ou cerâmica etc.
- Não altere o Suporte de Televisor.
- Não coloque nada quente directamente sobre o Suporte de Televisor. O calor poderá provocar a descoloração ou deformação do Suporte de Televisor.
- Não coloque nada directamente sobre o Suporte de Televisor que possa danificar o vidro.

Certifique-se de que fixa o televisor.

Fixe o televisor ao Suporte de Televisor com os acessórios de fixação fornecidos. Se o televisor não for adequadamente instalado, poderá cair ou o Suporte de Televisor poderá tombar e provocar lesões.

Não faça força sobre o vidro nem o exponha a qualquer tipo de impacto.

Não faça força sobre o Suporte de Televisor com as mãos quando instalar o televisor. Não bata no Suporte de Televisor com objectos duros, como uma chave de parafusos etc. O vidro poderá quebrar e provocar lesões.

Quando transportar o Suporte de Televisor

Se tentar deslocar o Suporte de Televisor sozinho ou sem respeitar os procedimentos adequados, poderá provocar lesões. Para evitar que isto aconteça, siga os conselhos abaixo.

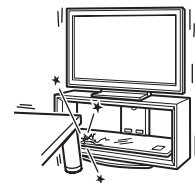
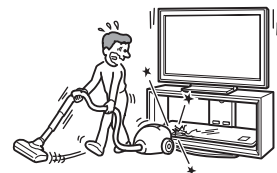
- Certifique-se de que duas ou mais pessoas transportam o Suporte de Televisor e apenas depois de retirar o televisor, o equipamento ligado e as prateleiras de vidro.
- Não arraste o Suporte de Televisor. As peças da base do Suporte de Televisor poderão soltar-se e danificar o piso.
- Tenha cuidado para não entalar as mãos ou os pés sob a Placa Base.
- Não pegue na prateleira de vidro enquanto transporta o Suporte de Televisor.

Não submeta o vidro a choques excessivos.

Este Suporte de Televisor é feito de vidro temperado mas exige cuidado.

Observe as precauções indicadas abaixo, na medida em que, se o vidro quebrar, os fragmentos poderão provocar lesões.

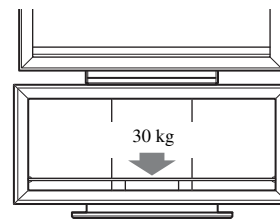
- Não bata no vidro nem deixe cair objectos pontiagudos sobre o mesmo. Evite choques excessivos.
- Não risque nem fure o vidro com objectos pontiagudos.
- Não bata com objectos pesados, como um aspirador, nos cantos do vidro.



Nota sobre a capacidade de carga

Não coloque qualquer equipamento com um peso superior à carga máxima especificada para cada prateleira, conforme indicado na ilustração.

Caso contrário, as prateleiras poderão quebrar.



Notas sobre a instalação

- Durante a montagem, coloque os materiais da embalagem no chão para evitar danos no mesmo.
- Instale o Suporte de Televisor numa superfície resistente e nivelada. Não instale o Suporte de Televisor torto ou inclinado. Para evitar esta situação, respeite as seguintes precauções.
 - Não instale o Suporte de Televisor num local exposto à luz solar directa ou junto a um aquecedor.
 - Não instale o Suporte de Televisor no exterior nem em locais quentes ou húmidos.

Nota sobre a utilização

Limpe o Suporte de Televisor ocasionalmente com um pano macio e seco. Para retirar as manchas mais difíceis, utilize um pano ligeiramente humedecido com sabão. Certifique-se de que, em seguida, limpa a área com um pano macio e seco. Não utilize químicos, como diluente ou benzina, pois podem danificar o acabamento do Suporte de Televisor.

Para os agentes da Sony

Leia as precauções de segurança acima indicadas na íntegra e preste especial atenção às medidas de segurança a tomar durante a instalação, manutenção, verificação e reparação deste produto.

A instalação deverá ser efectuada por duas ou mais pessoas.

A colocação do televisor no Suporte de Televisor deverá ser efectuada por duas ou mais pessoas. Se a instalação for efectuada por apenas uma pessoa, poderá provocar um acidente ou lesões. Não deixe as crianças aproximarem-se durante a instalação do Suporte de Televisor.

Certifique-se de que o Suporte de Televisor é montado em segurança, de acordo com as instruções.

Se um parafuso não for apertado firmemente ou tiver caído, o Suporte de Televisor poderá cair. Isto poderá provocar lesões ou danos.



Tenha cuidado para não magoar as suas mãos ou os seus dedos durante a montagem.

Tenha cuidado para não trilhar os dedos ou as mãos quando montar o Suporte de Televisor e instalar o televisor.

Monte o televisor com segurança seguindo as instruções.

Aperte os parafusos firmemente. Se o televisor não ficar instalado com segurança, poderá cair e provocar lesões.

Passo 1: Verificar as peças

Nome		Quantida
Placa Superior		1
Placa Base		1
Coluna Lateral (L)*1		1
Coluna Lateral (R)*1		1
Coluna Traseira		1
Painel Dianteiro		1
Prateleira de Vidro		1
Parafuso (+PWH5 × 25)		a*4 8
Parafuso (+K4 × 20) + Bucha		b*4 2
Parafuso de fecho de came		c*4 4
Parafuso (+P4 × 15)		d*4 4
Parafuso de fixação		e*4 2
Tampa do parafuso		f*4 3
Faixa de apoio		g*4 1
Parafuso (M6 × 18)		
Parafuso para madeira (M3,8 × 20)		
Gancho do Altifalante (L)		1
Gancho do Altifalante (R)		1
Modelo de papel		4*2 3*3
Fita		1

*1 As ilustrações acima destinam-se ao SU-FL300M. Diferem, portanto, do SU-FL300L. Para o SU-FL300L, existem dois entalhes no lado da Coluna Lateral.

*2 Para o SU-FL300M, são fornecidos quadro modelos de papel.

*3 Para o SU-FL300L, são fornecidos três modelos de papel.

*4 Os sacos das peças são identificados alfabeticamente.

Certifique-se de que tem uma chave de parafusos Phillips para os parafusos acima indicados antes de proceder à montagem.

Passo 2: Montagem do Suporte de Televisor

AVISO

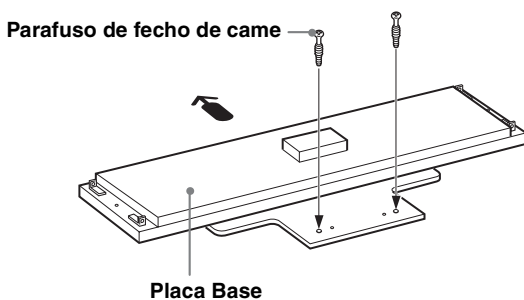
Se o cabo de alimentação ficar trilhado sob ou entre as peças do equipamento, poderá provocar um curto-circuito ou choque eléctrico. Se tropeçar no cabo de alimentação ou no cabo de ligação, o Suporte de Televisor poderá tombar, provocando lesões.

Decida qual será o local de instalação e pouse o Suporte de Televisor antes de instalar o televisor.

Dado o televisor ser pesado, recomenda-se que decida qual o local de instalação antes de instalar o Suporte de Televisor.

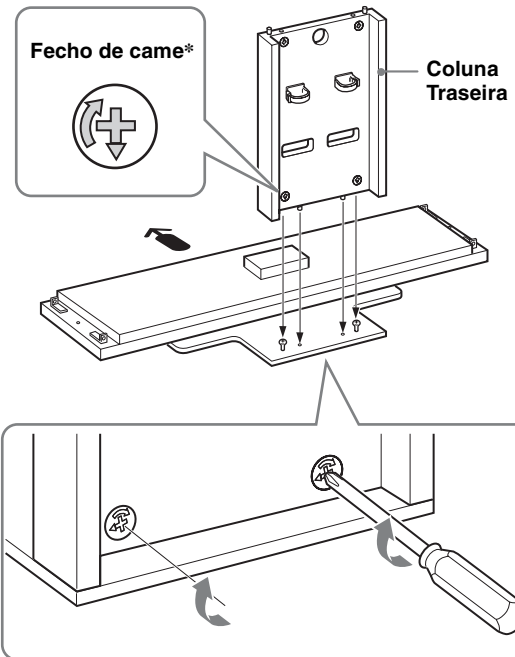
1 Fixe a Coluna Traseira à Placa Base.

- 1 Aperte os dois parafusos de fecho de came fornecidos à Placa Base.



← A direcção da seta indica a dianteira do Suporte de Televisor.

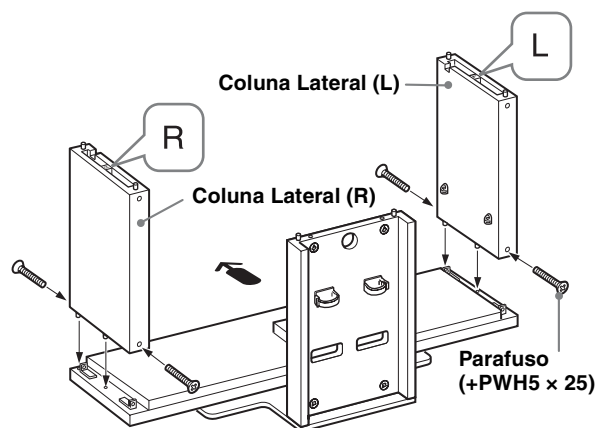
- 2 Fixe a Coluna Traseira à Placa Base e fixe os dois Fechos de Came com uma chave de parafusos.



* Antes de fixar o Coluna Traseira, certifique-se de que os pontos assinalados ▽ estão no sentido descendente.

2 Fixe as Colunas Laterais à Placa Base.

Fixe as Colunas Laterais e a Placa Base com os quatro parafusos fornecidos (+PWH5 × 25).

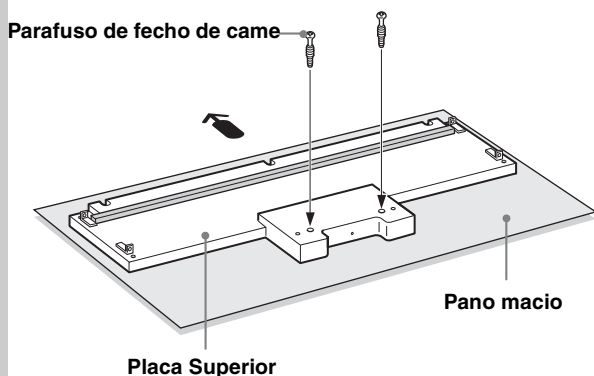


Nota

Existem diferenças entre a coluna esquerda e a coluna direita. Certifique-se de que instala cada coluna no lado correcto.

3 Fixe a Placa Superior.

- 1 Aperte os dois parafusos de fecho de came fornecidos à Placa Superior.

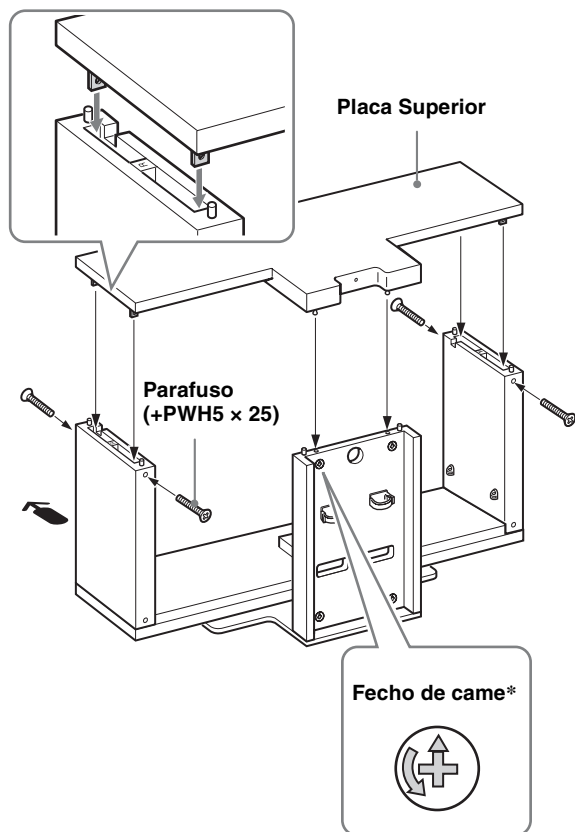


A ilustração acima apresentada refere-se ao SU-FL300M como um exemplo. Para o SU-FL300L, existem duas barras de reforço na Placa Superior.

Nota

Para evitar danificar a superfície brilhante da Placa Superior, certifique-se de que limpa e coloca um pano macio sobre a superfície de trabalho.

- 2 Alinhe e introduza os suportes de fixação em ambos os lados da Placa Superior, nas Colunas Laterais.
- 3 Fixe as Colunas Laterais com os quatro parafusos fornecidos (+PWH5 × 25). Fixe os dois fechos de came restantes na parte posterior do Coluna Traseira.



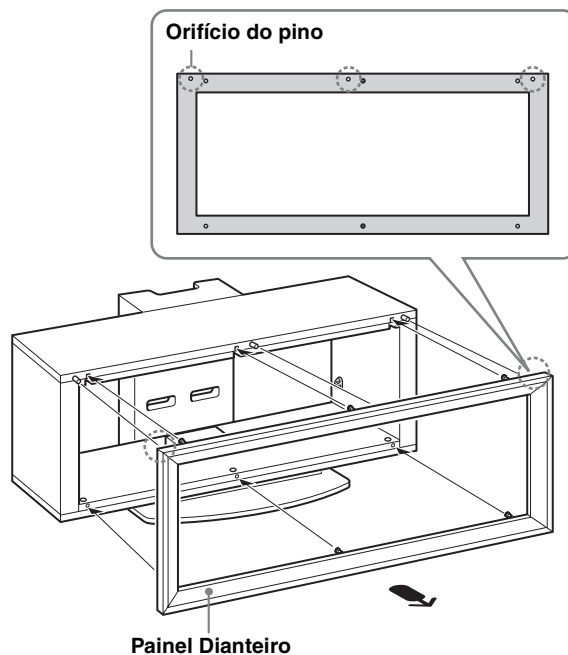
* Antes de fixar o Placa Superior, certifique-se de que os pontos assinalados Δ estão no sentido ascendente.

Nota

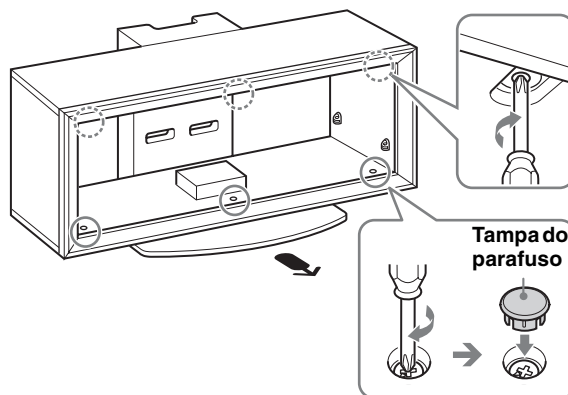
Tenha cuidado para não trilhar os dedos durante a instalação da Placa Superior.

4 Fixe o Painel Dianteiro ao Suporte de Televisor.

- 1 Alinhe os três pinos do Suporte de Televisor com os três orifícios do Painel Dianteiro.



- 2 Rode os seis parafusos de bloqueio nas Placas Base e Superior no sentido dos ponteiros do relógio para fixar o Painel Dianteiro. Em seguida, fixe as três tampas de parafusos fornecidas nos três parafusos inferiores.



Nota

Certifique-se de que instala o Painel Dianteiro na direcção correcta.

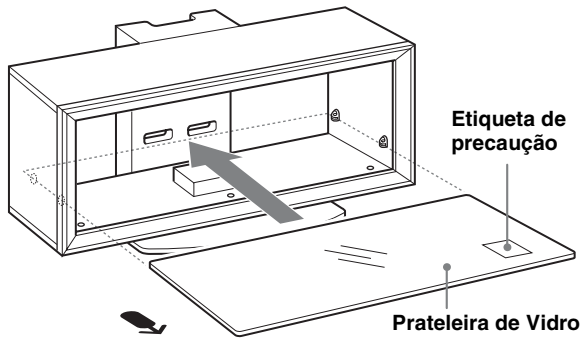
(Continuação)

7 (PT)

5 Fixe a Prateleira de Vidro.

Se instalar o sistema de Home Theatre no Suporte, aplique primeiro os Ganchos do Altifalante. (Consulte “Instalação do Altifalante Central (Apenas para sistemas de Home Theatre)” na página 13.)

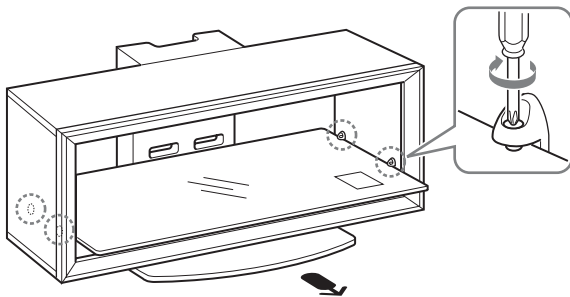
- 1 Introduza completamente a Prateleira de Vidro até tocar no Coluna Traseira.



Nota

Fixe a Prateleira de Vidro ao Suporte de Televisor, mantendo a etiqueta de Precaução virada para cima no lado dianteiro direito, tal como ilustrado.

- 2 Aperte os quatro parafusos nas Colunas Laterais para fixar a Prateleira de Vidro ao Suporte de Televisor.



Passo 3: Preparação da instalação do televisor

1 Fixe as buchas na Placa Superior.

Fixe as buchas com os parafusos fornecidos (+K4 × 20).

Para modelos não especificados na página 2:

Utilize os orifícios dianteiros.

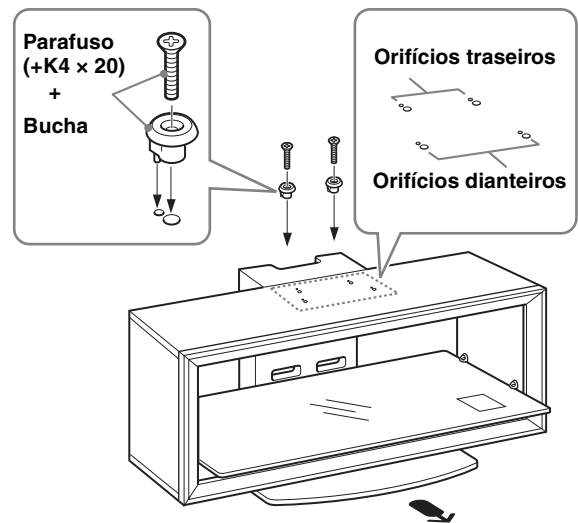
Para modelos especificados na página 2:

Para modelos de tipo giratório*, utilize os orifícios traseiros; para modelos de tipo não giratório, utilize os orifícios dianteiros.

Nota

Consulte as instruções de funcionamento do seu televisor para confirmar se o seu televisor pode girar ou não.

* A função giratória permite-lhe ajustar o ângulo de visualização do televisor (esquerda e direita).



2 Coloque o modelo de papel fornecido na Placa Superior.

- 1 Escolha o modelo de papel fornecido e alinhe as extremidades do canto direito do modelo de papel com o canto direito da Placa Superior.

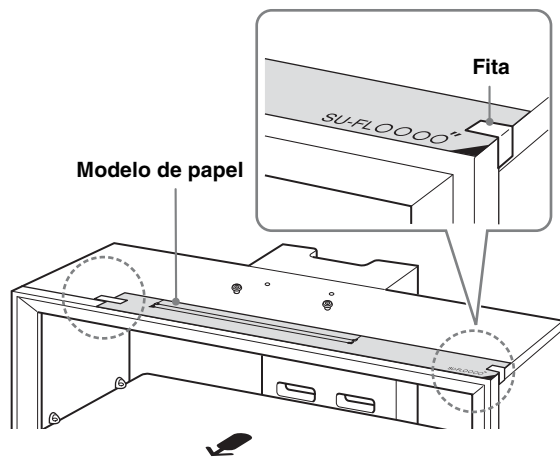
Para modelos não especificados na página 2:

Certifique-se de que consulta o folheto explicativo fornecido com o televisor; escolha o modelo de papel adequado ao seu televisor.

Para modelos especificados na página 2:

Escolha o modelo de papel a preto correspondente ao tamanho de ecrã do seu televisor.

- 2 Fixe o modelo de papel à Placa Superior com a fita fornecida.



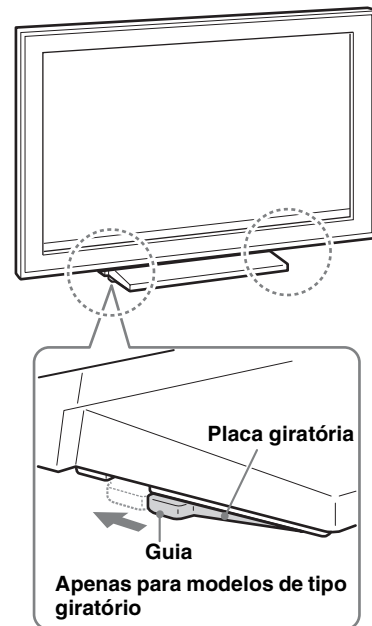
Passo 4: Instalação do televisor

Se o seu televisor ainda não se encontrar fixo, fixe-o ao Suporte de Fixação de Mesas.

Apenas para os modelos de tipo giratório especificados na página 2, siga a parte 1 do procedimento do Passo 4.

1 Ajuste a posição da placa giratória para o centro (Apenas para modelos de tipo giratório).

Antes de instalar o televisor, alinhe a guia da placa giratória com a ranhura do Suporte de Fixação de Mesas.

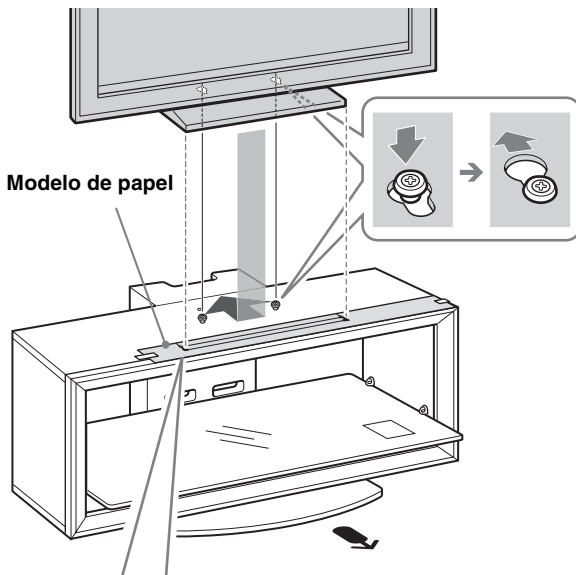


AVISO

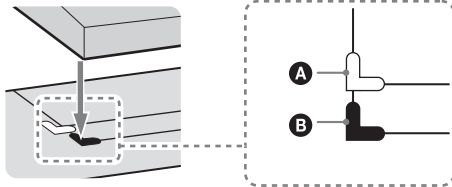
Se a placa giratória não for correctamente ajustada, o televisor não será adequadamente instalado e poderá cair.

2 Instale o televisor no Suporte de Televisor.

- 1 Faça corresponder o contorno do Suporte de Fixação de Mesas ao contorno do tamanho de ecrã do televisor e às marcas de canto no modelo de papel para que os orifícios na parte inferior do Suporte de Fixação de Mesas fiquem alinhados com as buchas que foram fixas na parte 1 do Passo 3.
- 2 Faça o televisor deslizar para trás até encaixar no respectivo local.
- 3 Retire o modelo de papel da Placa Superior.



Apenas para os modelos de tipo giratório especificados na página 2



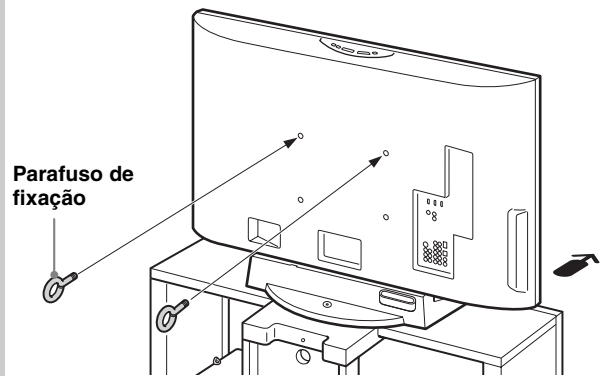
- A A marca de canto branca é para modelos de tipo giratório.
- B A marca de canto preta é para modelos de tipo não giratório.

Nota

Para televisores de 37/40 polegadas, quer o televisor seja de tipo giratório quer não, alinhe o Suporte de Fixação de Mesas com a marca de canto preta. (Não há qualquer marca branca do canto no modelo de papel para televisores de 37/40 polegadas.)

3 Aperte os parafusos de fixação.

Fixe os dois parafusos de fixação fornecidos na traseira do televisor.



Nota

Se os dois parafusos de fixação não forem utilizados para fixar o televisor, o aparelho poderá cair e provocar lesões.

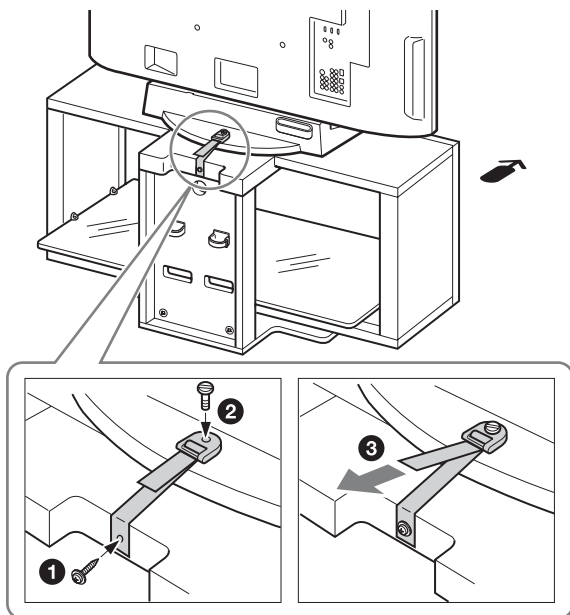
Passo 5: Medidas de segurança para evitar que o Suporte de Televisor tombe

AVISO

Certifique-se de que toma as medidas apropriadas para evitar que o Suporte de Televisor caia, podendo causar lesões e danos.

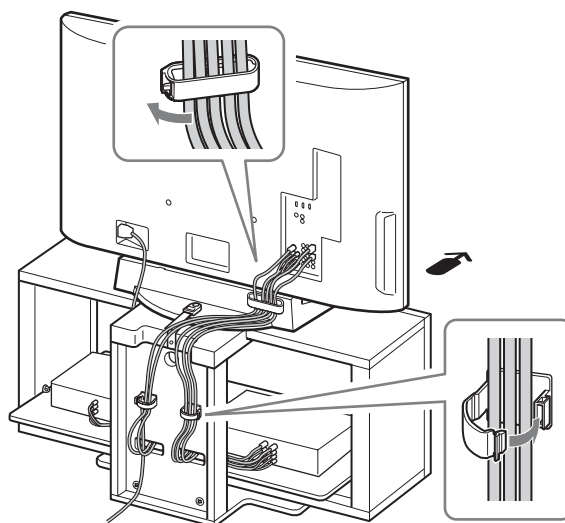
1 Aperte a faixa de apoio.

- 1 Aparafuse a faixa de apoio ao Suporte de Televisor com o parafuso para madeira fornecido, utilizando a chave de parafusos.
- 2 Fixe a faixa de apoio ao Suporte de Fixação de Mesas e aparafuse-a com o parafuso de fixação fornecido, utilizando uma moeda etc.
- 3 Ajuste o comprimento apertando a faixa de apoio, enquanto segura o Apoio de Mesa-Superior.



2 Ligue os cabos.

Passes os cabos através dos respectivos suportes e dos orifícios da Coluna Traseira.



Nota

Se os cabos não forem correctamente instalados, poderão ser trilhados ou danificados, podendo provocar choques eléctricos etc.

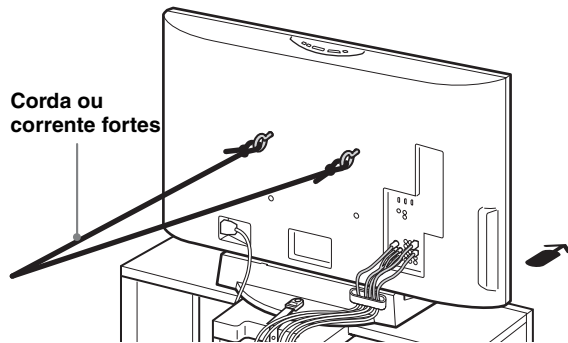
(Continuação)

11 (PT)

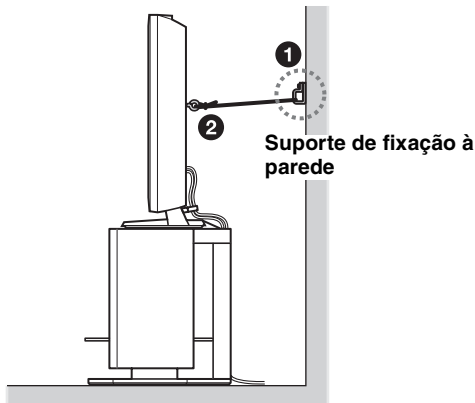
3 Fixe o televisor à parede.

Prepare de antemão uma corda ou corrente forte, disponível no mercado, e um suporte de fixação à parede para este fim.

- 1 Prenda o suporte de fixação a uma parede sólida.
- 2 Enfie a corda ou a corrente em ambos os orifícios dos parafusos de fixação e prenda a outra extremidade da corda ou corrente ao suporte de fixação à parede.

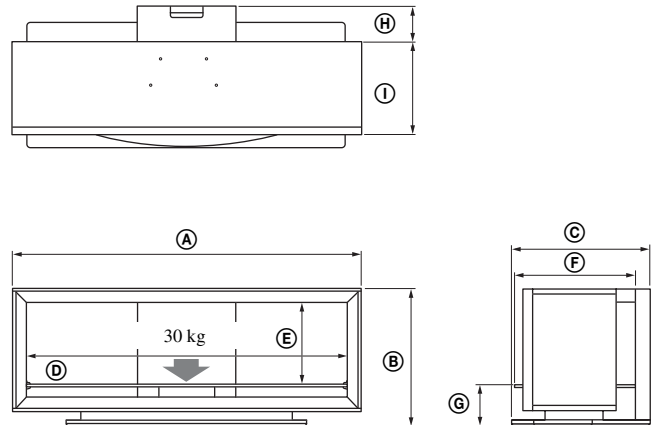


Corda ou corrente fortes



Suporte de fixação à parede

Características técnicas



Nota sobre a capacidade de carga

Não coloque qualquer equipamento que exceda o peso máximo da Prateleira de Vidro sobre a mesma, pois esta poderá quebrar e provocar lesões.

		SU-FL300M	SU-FL300L
Dimensões: mm	Ⓐ	1.035	1.280
	Ⓑ	503	503
	Ⓒ	485	518
	Ⓓ	895	1.140
	Ⓔ	303	303
	Ⓕ	418	468
	Ⓖ	146	146
	Ⓗ	120	130
	Ⓘ	272	340
Peso:		35 kg	52 kg

Design e características técnicas sujeitos a alterações sem aviso prévio.

Instalação do Altifalante Central (Apenas para sistemas de Home Theatre)

O modelo de Altifalante Central SS-CT71/CNP2200 destina-se aos seguintes modelos de sistema de Home Theatre:

DAV-HDX665	HT-SF2000
DAV-HDX466	HT-SF1200
DAV-HDX465	HT-SF1100
DAV-HDX267W	DAV-DZ750K
DAV-HDX266	DAV-DZ630
DAV-HDX265	DAV-DZ556KB
DAV-HDZ235	DAV-DZ555K
	DAV-DZ555M
	DAV-DZ530
	DAV-DZ250KW
	DAV-DZ250K
	DAV-DZ250M
	DAV-DZ231
	DAV-DZ230
	DAV-DZ151KB
	DAV-DZ150K

O modelo de Altifalante Central SS-CT72/CT74 destina-se aos seguintes modelos de sistema de Home Theatre:

DAV-HDX900W	DAV-DZ1000
DAV-HDX501W	DAV-DZ850KW
DAV-HDX500	DAV-DZ850M
	DAV-DZ830W
	DAV-DZ531W

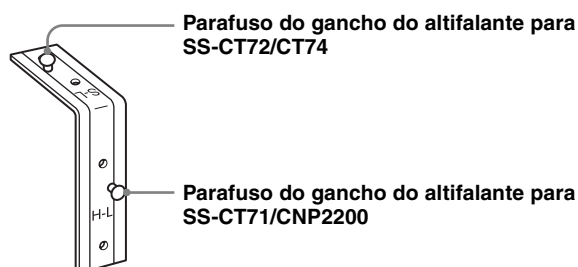
Notas

- Os produtos estão sujeitos a alterações sem aviso prévio, poderão estar esgotados ou ser descontinuados.
- Determinados modelos poderão não se encontrar disponíveis em certas regiões.

Antes de fixar o Gancho do Altifalante:

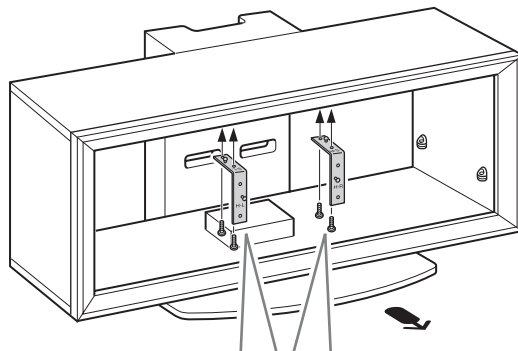
Para SS-CT71/CNP2200, as marcas H-L/H-R devem encontrar-se para a frente. (H-L refere-se ao lado esquerdo e H-R ao lado direito.)

Para SS-CT72/CT74, as marcas S-L/S-R devem encontrar-se para a frente. (S-L refere-se ao lado esquerdo e S-R ao lado direito.)

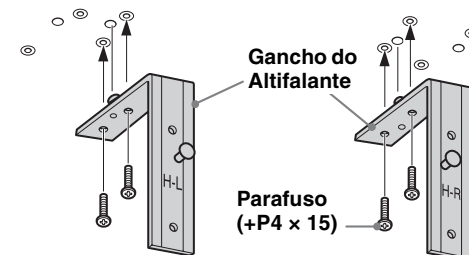


1 Fixar o Gancho do Altifalante.

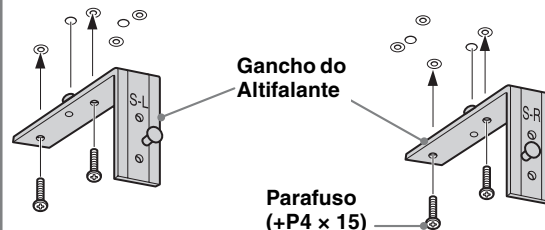
Aperte cada Gancho do Altifalante com os parafusos fornecidos (+P4 x 15) (dois parafusos cada, para a esquerda/direita) ao lado inferior da Placa Superior.



Altifalante Central: SS-CT71/CNP2200



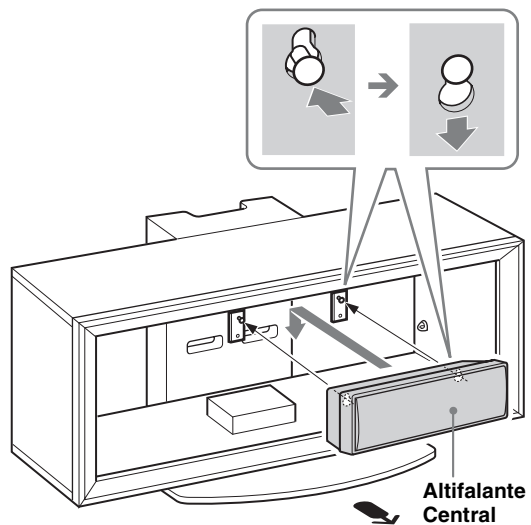
Altifalante Central: SS-CT72/CT74



(Continuação)

13 (PT)

2 Pendure o Altifalante Central nos parafusos do gancho, conforme ilustrado.



Tak, fordi du har købt dette produkt.

Til kunder

Dette produkt må kun installeres af kvalificerede Sony-servicemedarbejdere, da installationen kræver to eller flere personer med den nødvendige viden om behandling, sikkerhed og teknik.

ADVARSEL

Hvis sikkerhedsforskrifterne ikke overholdes, eller produktet anvendes på ukorrekt vis, kan det medføre brand eller personskade.

Denne vejledning beskriver korrekt håndtering af produktet og de vigtigste forholdsregler, som er nødvendige for at forhindre ulykker. Læs denne vejledning grundigt, og brug produktet korrekt. Gem denne vejledning til senere brug.

Til Sony-forhandlere

Installationen af et tv kræver to eller flere personer med den nødvendige viden om behandling og teknik. Denne vejledning skal følges nøje ved installation af et tv. Sony kan ikke holdes ansvarlig for ulykker eller materielle skader forårsaget af ukorrekt installation eller håndtering. Giv denne vejledning til kunden efter installationen.

Om sikkerhed

Sonys produkter er udformet med henblik på at opnå bedst mulig sikkerhed. Forkert anvendelse kan medføre alvorlig personskade som følge af brand, elektrisk stød, eller fordi produktet vælter eller falder ned. Undgå sådanne ulykker ved at overholde sikkerhedsforanstaltningerne.

FORSIGTIG!

Specificerede produkter

Ret til ændringer af de følgende produkter uden forudgående varsel forbeholdes. Visse modeller er muligvis ikke på lager, de kan være udgået eller er muligvis ikke tilgængelige i visse områder.

	LCD-Farve-tv	
SU-FL300M	KDL-46W3500	KDL-40D2600
	KDL-46W3100	KLV-40W300A
	KDL-46W3000	KLV-40V300A
	KDL-46V3100	KLV-40D300A
	KDL-46V3000	KDL-37S3100
	KDL-46VL130	KLV-37S310A
	KDL-46S3000	KDL-32XBR4
	KDL-46D3550	KDL-32V3100
	KDL-46D3500	KDL-32T3000
	KDL-46D3100	KDL-32T2800
	KDL-46D3010	KDL-32T2600
	KDL-46D3000	KDL-32S3100
	KLV-46W300A	KDL-32S3000
	KLV-46V300A	KDL-32SL130
	KLV-46D300A	KDL-32D3100
	KDL-40W3500	KDL-32D3010
	KDL-40W3100	KDL-32D3000
	KDL-40W3000	KDL-32D2810
	KDL-40V3100	KDL-32D2710
	KDL-40V3000	KDL-32D2600
	KDL-40VL130	KLV-32V300A
	KDL-40T3000	KLV-32S310A
	KDL-40T2800	KLV-32D300A
	KDL-40T2600	
	KDL-40S3000	
	KDL-40SL130	
	KDL-40D3550	
	KDL-40D3500	
	KDL-40D3100	
	KDL-40D3010	
	KDL-40D3000	
	KDL-40D2810	
KDL-40D2710		
SU-FL300L	KDL-52W3000	
	KDL-52WL130	
	KDL-46W3000	
	KDL-46V3000	
	KDL-46VL130	
	KDL-46S3000	

Dette tv-bord er udelukkende udviklet til brug sammen med de produkter, som er specificeret ovenfor. Se vejledningen til andre tv for at kontrollere, om tv-bordet kan bruges.

Nogle tv leveres med en folder, der beskriver, hvordan tv-bordet skal installeres.

ADVARSEL

Hvis følgende forholdsregler ikke overholdes, kan det medføre alvorlig personskade eller dødsfald som følge af brand, elektrisk stød, eller fordi produktet vælter eller falder ned.

Produkter må kun installeres af kvalificerede Sony-servicemedarbejdere.

Tv'et og tv-bordet er meget tunge. Installation af ikke-kvalificerede personer kan forårsage alvorlig personskade.

Sørg for at tage forholdsregler for at forhindre, at tv-bordet vælter.

Hvis du ikke gør dette, kan tv'et vælte og forårsage personskade.

Fastgør tv'et til en væg, søjle eller lignende for at forhindre, at det vælter.

Monter tv-bordet på et fast, plant gulv.

Monter ikke tv-bordet, så det hælder i en bestemt retning. Hvis du gør det, kan tv-bordet vælte eller tv'et kan falde ned. Dette kan forårsage personskade eller tingskade.

Hvis du monterer tv-bordet på en blød overflade, f.eks. en måtte eller et tæppe, skal du først lægge en plade over stedet.

Brug ikke et tv-bord, der er revnet.

Brug ikke tv-bordet, hvis der er revner i det. Glasset kan knække og få tv'et til at vælte, hvilket kan forårsage alvorlig personskade eller tingskade.

Revnet tv-bord



Læn dig ikke ind over tv'et, og hæng ikke i det.

Tv-bordet kan vælte og forårsage alvorlig personskade eller dødsfald.



Undgå at lade børn kravle op på tv-bordet eller kravle mellem hylderne.

Hvis et barn kravler op på tv-bordet eller hylderne, kan glasset gå i stykker og forårsage alvorlig personskade eller dødsfald, hvis glasset går i stykker, eller hvis tv-bordet og tv'et vælter.



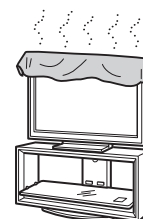
Du må ikke træde på tv-bordet.

Du kan falde eller knække glasset og komme til skade.



Tv'ets ventilationsåbninger må ikke tildækkes.

Hvis du tildækker ventilationsåbningerne (med en klud el.lign.), kan der akkumuleres varme indeni, og der kan opstå brand.



Sørg for, at netledningen eller tilslutningskablet ikke bliver klemt.

- Netledningen eller tilslutningskablet må ikke klemmes, når du monterer tv'et på tv-bordet. Hvis netledningen eller tilslutningskablet beskadiges, kan det resultere i brand eller elektrisk stød.
- Træd ikke på netledningen eller tilslutningskablet, når du bærer tv-bordet. Hvis netledningen eller tilslutningskablet beskadiges, kan det resultere i brand eller elektrisk stød.



Du må ikke flytte tv-bordet, mens tv'et er monteret, eller mens der findes tilsluttet udstyr på hylderne.

Hvis du flytter tv-bordet, mens tv'et er monteret, kan du komme til skade med ryggen, eller tv-bordet kan vælte og forårsage alvorlig personskade. Du kan også risikere, at det tilsluttede udstyr på glashylderne falder ned, så glashylden går i stykker, eller der sker andre tingskader.



FORSIGTIG!

Hvis følgende forholdsregler ikke overholdes, kan der opstå materiel skade eller personskade.

Monter kun det specificerede produkt.

- Dette tv-bord er udelukkende udviklet til brug sammen med det specificerede produkt. Hvis du monterer andet udstyr end det specificerede, kan det falde ned og forårsage personskade.
- Du må ikke stille genstande som vaser, pottedplanter, osv. på tv-bordet.
- Du må ikke ændre tv-bordet.
- Du må ikke stille varme genstande på tv-bordet. Varmen kan misfarve eller deformere tv-bordet.
- Du må ikke stille noget direkte på tv-bordet, der kan beskadige glasset.

Sørg for at fastgøre tv'et.

Tv'et skal monteres på tv-bordet med de medfølgende fastgørelsesanordninger. Hvis ikke tv'et monteres på en sikker måde, kan det falde ned, eller tv-bordet kan vælte og forårsage personskade.

Udsæt ikke glasset for vægt, og undgå at støde til det.

Støt ikke din vægt på tv-bordet med hænderne, når du installerer tv'et. Undgå at ramme tv-bordet med tunge objekter, f.eks. en skruetrækker. Glasset kan gå i stykker og forårsage personskade.

Når du bærer tv-bordet

Hvis du forsøger at flytte tv-bordet alene eller uden at følge anvisningerne, kan du komme til skade. Du kan undgå dette ved at overholde de råd, der angives nedenfor.

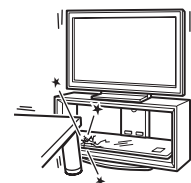
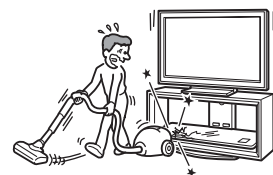
- I skal altid være mindst to personer om at flytte tv-bordet, og tv'et skal fjernes, før udstyr og glashylder sættes på plads.
- I må ikke trække tv-bordet hen over gulvet. De nederste dele af tv-bordet kan løsne sig og beskadige gulvet.
- Sørg for, at du ikke får hænderne eller tæerne i klemme under bundpladen.
- I må ikke løfte tv-bordet i glashylden.

Udsæt ikke glasset for voldsomme stød.

Dette tv-bord er fremstillet af hærdet glas, men vær alligevel forsigtig.

Hvis glasset går itu, kan glasstumperne forårsage personskade. Følg derfor nedenstående forskrifter.

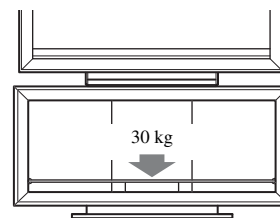
- Slå ikke på glasset, og tab ikke spidse genstande ned på glasset. Undgå voldsomme stød.
- Rids ikke glasset, og stik ikke i det med skarpe genstande.
- Lad ikke hårde genstande, f.eks. en støvsuger, ramme glassets kanter.



Bemærkning om bæreevne

Du må ikke placere udstyr på glashylderne, der er tungere end den maksimale bæreevne som angivet på illustrationen.

I modsat fald kan hylderne gå i stykker.



Bemærkninger til montering

- Placer delene på emballagen på gulvet for at skåne gulvet.
- Monter tv-bordet på et fast, fladt gulv. Tv-bordet må ikke monteres med hældning. Dette kan undgås ved at overholde følgende forholdsregler.
 - Monter ikke tv-bordet på et sted, hvor der kan forekomme direkte sollys eller i nærheden af et varmeapparat.
 - Monter ikke tv-bordet på et varmt eller fugtigt sted eller udendørs.

Bemærkning til brugen

Tv-bordet holdes rent ved regelmæssigt at tørre det af med en tør, blød klud. Genstridige pletter fjernes med en klud, der er fugtet let med mild sæbe. Sørg for bagefter at tørre området med en tør, blød klud. Brug ikke kemikalier såsom fortynder eller rensbenzin, da det kan beskadige tv-bordets finish.

Til Sony-forhandlere

Sørg for at læse ovennævnte sikkerhedsforskrifter grundigt, og vær særlig opmærksom på sikkerheden under montering, vedligeholdelse, kontrol og reparation af dette produkt.

Sørg for, at mindst to personer udfører monteringen.

Sørg for, at to eller flere personer monterer tv'et på tv-bordet. Hvis én person udfører installationsarbejdet alene, kan det medføre en ulykke eller personskade. Sørg for at holde børn væk under installationen.

Sørg for at følge nedenstående anvisninger for at samle tv-bordet korrekt.

Hvis en skrue ikke er spændt tilstrækkeligt, eller hvis den er fladet ud, kan det få tv-bordet til at vælte. Dette kan forårsage tingskade eller personskade.



Undgå at beskadige hænderne eller fingrene under samlingen.

Pas på ikke at få fingrene eller hænderne i klemme, når du samler tv-bordet og monterer tv'et.

Tv'et skal monteres sikkert i henhold til instruktionerne.

Spænd skruerne helt. Hvis tv'et ikke monteres sikkert, kan det falde ned og forårsage personskade.

Trin 1: Kontrol af delene

Beskrivelse		Antal
Topplade		1
Bundplade		1
Sidesøjle (L)* ¹		1
Sidesøjle (R)* ¹		1
Bagsøjle		1
Frontpanel		1
Glashylde		1
Skrue (+PWH5 × 25)		a* ⁴ 8
Skrue (+K4 × 20) + Bøsning		b* ⁴ 2
Låseskrue		c* ⁴ 4
Skrue (+P4 × 15)		d* ⁴ 4
Forankringsskrue		e* ⁴ 2
Skruekappe		f* ⁴ 3
Støtterem		g* ⁴ 1
Skrue (M6 × 18)		
Træskrue (M3,8 × 20)		
Højttalervinkel (L)		1
Højttalervinkel (R)		1
Papirskabelon		4* ²
		3* ³
Tape		1

*¹ Illustrationerne ovenfor er til SU-FL300M. De er anderledes end SU-FL300L. Til SU-FL300L er der to udskæringer på siden af sidesøjlen.

*² SU-FL300M leveres med fire papirskabeloner.

*³ SU-FL300L leveres med tre papirskabeloner.

*⁴ Poserne til delene er mærket med bogstaver.

Find på forhånd en stjerneskruetrækker frem, der passer til de ovenfor angivne skruer.

Trin 2: Samling af tv-bordet

ADVARSEL

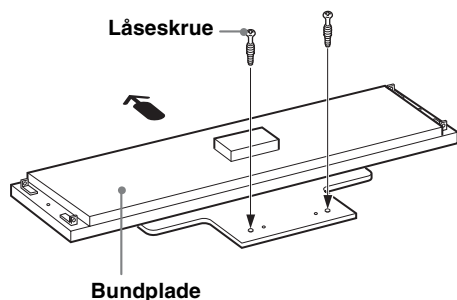
Hvis netledningen bliver klemt under eller mellem udstyr, kan det føre til en kortslutning eller elektrisk stød. Hvis du snubler over netledningen eller tilslutningskablet, kan tv-bordet vælte og forårsage personskade.

Beslut dig for et sted, hvor tv-bordet skal monteres, og læg det ned, før tv'et monteres.

Da tv'et er tungt, anbefales det, at du først beslutter dig for, hvor tv'et skal monteres, og derefter samler tv-bordet på stedet.

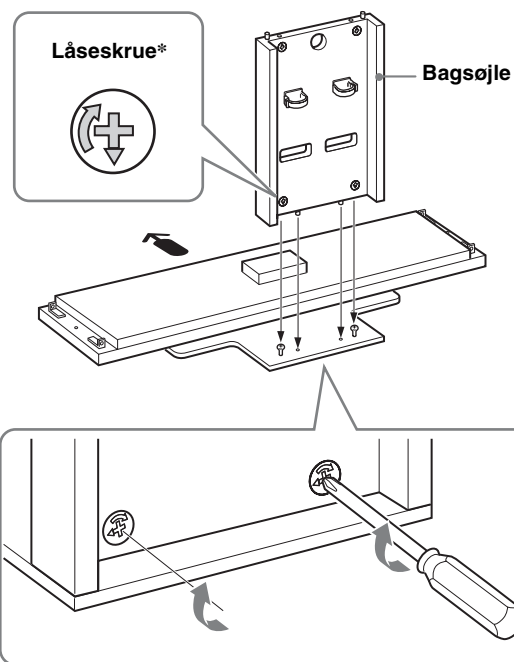
1 Sæt bagsøjlen på bundpladen.

- Spænd de to medfølgende låseskruer på bundpladen.



← Pilens retning viser tv-bordets front.

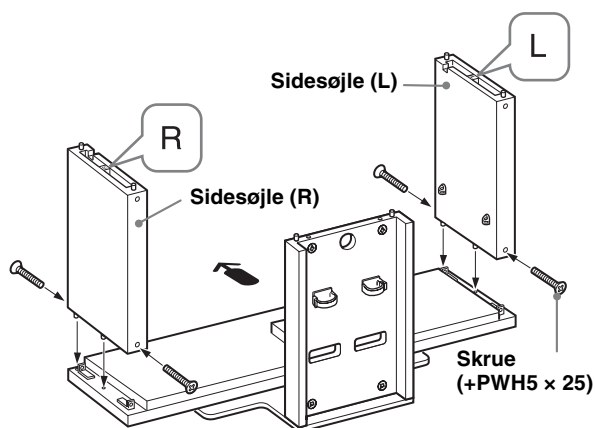
- Sæt bagsøjlen på bundpladen og spænd de to låseskruer med en skruetrækker.



* Før bagsøjlen påsættes, skal du kontrollere, at ∇-mærket peger nedad.

2 Sæt sidesøjlerne på bundpladen.

Spænd sidesøjlerne og bundpladen sammen med de fire medfølgende skruer (+PWH5 × 25).

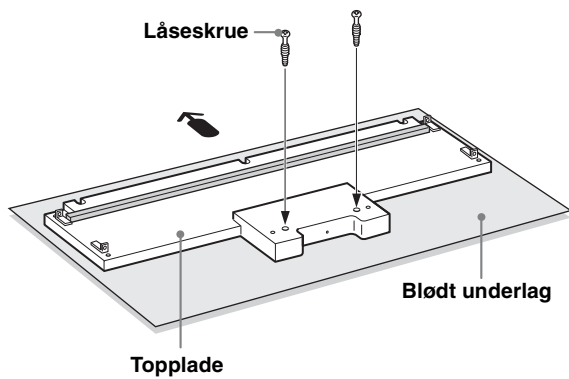


Bemærk

Der er forskel på venstre og højre søjle. Sørg for at montere hver søjle i den rigtige side.

3 Sæt toppladen på.

- 1 Spænd de to medfølgende låseskruer på toppladen.

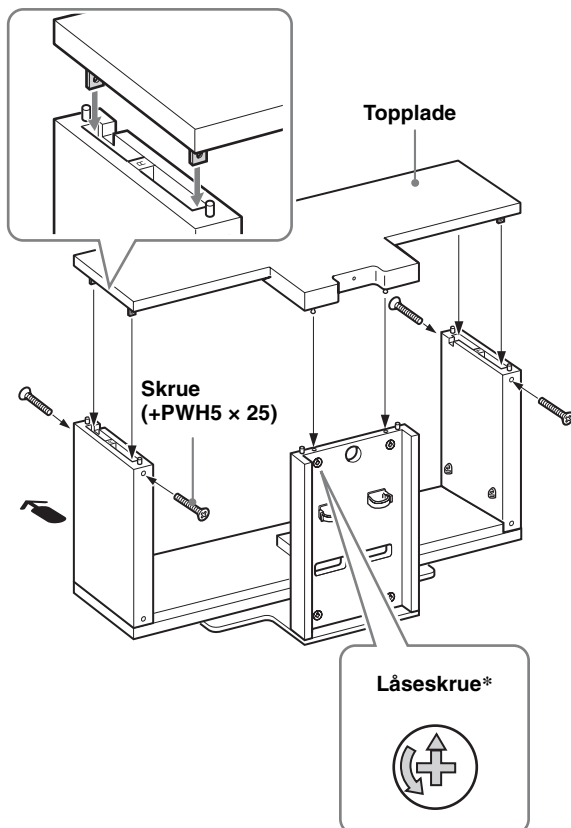


Illustrationen ovenfor viser SU-FL300M som et eksempel. Til SU-FL300L er der to forstærkningslister på toppladen.

Bemærk

For at undgå beskadigelse af toppladens blanke overflade, skal du rengøre arbejdsoverfladen og anbringe et stykke blødt stof på den.

- 2 Anbring monteringsbeslagene i hver side af toppladen korrekt over sidesøjlerne.
- 3 Spænd sidesøjlerne med de fire medfølgende skruer (+PWH5 × 25). Spænd de to tiloversblevne låseskruer på bagsiden af bagsøjlen.



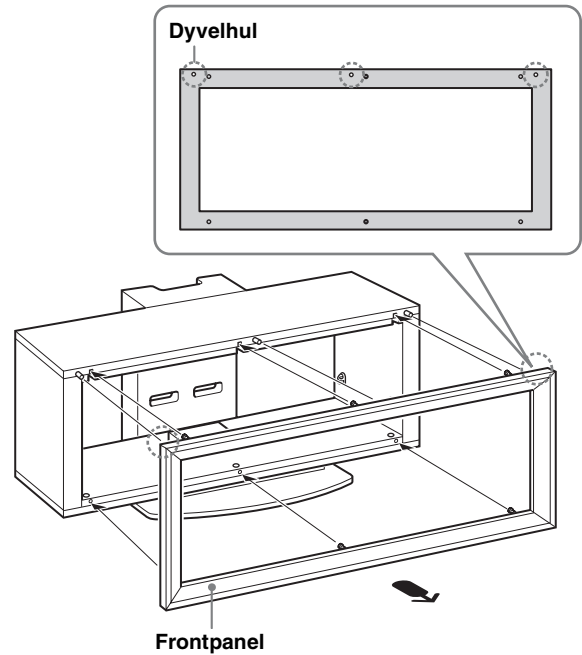
* Før toppladen påsættes, skal du kontrollere, at Δ -mærket peger opad.

Bemærk

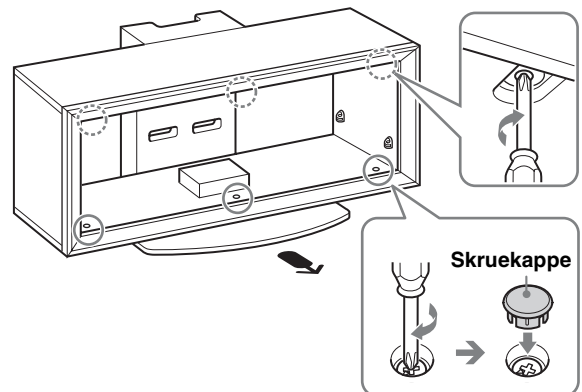
Pas på, du ikke klemmer fingrene, når toppladen sættes på.

4 Monter frontpanelet på tv-bordet.

- 1 Sørg for, at de tre dyvler på tv-bordet flugter med de tre huller i frontpanelet.



- 2 Drej de seks låseskruer på top- og bundpladerne med uret for at fastspænde frontpanelet. Sæt de tre medfølgende skruekapper på de tre bundskrue.



Bemærk

Sørg for, at frontpanelet vender korrekt, når det sættes på.

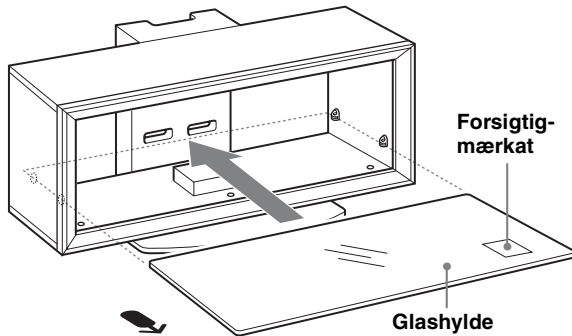
(Fortsat)

7 (DK)

5 Sæt glashylden på.

Hvis du monterer Home Theatre-systemet på foden, skal højttalervinklerne sættes på først. (Se "Montering af centerhøjttaleren (kun til Home Theatre-systemer)" på side 12.)

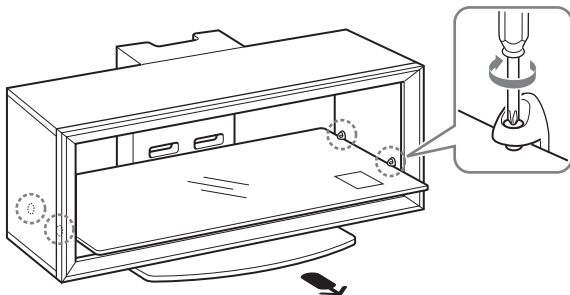
- 1 Før glashylden helt ind mod bagsøjlen, indtil den rører ved den.



Bemærk

Sæt glashylden i tv-bordet, så "forsigtig"-mærket sidder forrest til højre som vist på illustrationen.

- 2 Fastspænd glashylden til tv-bordet med de fire skruer på sidesøjlerne.



Trin 3: Forberedelse af montering af tv'et

1 Sæt bøsningerne på toppladen.

Monter bøsningerne med de medfølgende skruer (+K4 x 20).

Gælder modeller, der ikke er angivet på side 2:

Brug de forreste huller.

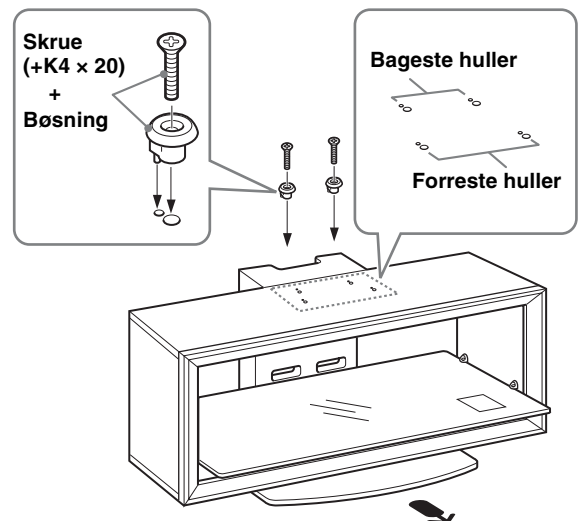
Gælder modeller, der er angivet på side 2:

Til modeller af vippeypen* skal de to bageste huller bruges, til de øvrige modeller skal de to forreste huller bruges.

Bemærk

Check betjeningsvejledningen til dit tv for at se, om dit tv kan vippe eller ej.

* Vippefunktionen gør det muligt at justere tv'ets vinkel (venstre og højre).



2 Klæb den medfølgende papirskabelon på toppladen.

- 1 Vælg den medfølgende papirskabelon, og ret papirskabelonens højre hjørne ind efter toppladens højre hjørne.

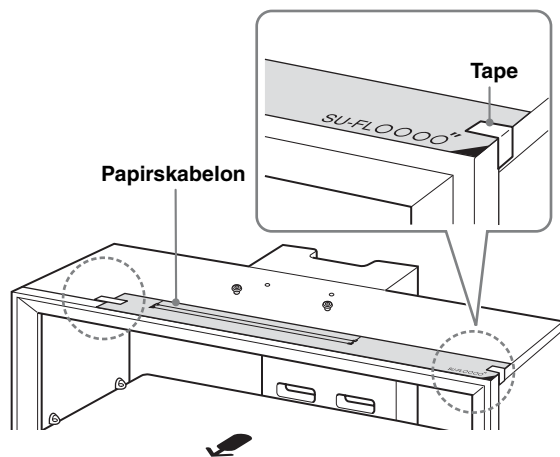
Gælder modeller, der ikke er angivet på side 2:

Læs den folder, der fulgte med tv'et, for at vælge en papirskabelon, der passer til tv'et.

Gælder modeller, der er angivet på side 2:

Vælg den papirskabelon, der svarer til tv'ets skærmformat.

- 2 Sæt papirskabelonen fast på toppladen med den medfølgende tape.



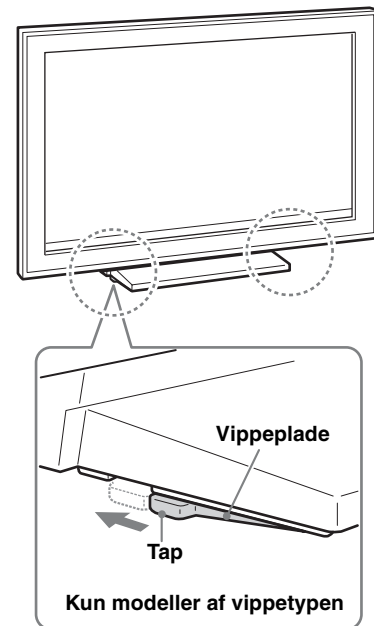
Trin 4: Montering af tv'et

Sæt dit tv på tv-foden, hvis det ikke allerede er gjort.

Følg fremgangsmåden under 1 i trin 4, hvis du har en model af vippeypen, der er angivet på side 2.

1 Justér vippepladens midterposition (Kun modeller af vippeypen).

Før tv'et monteres, skal tappen på vippepladen flugte med indhakkets i tv-foden.



ADVARSEL

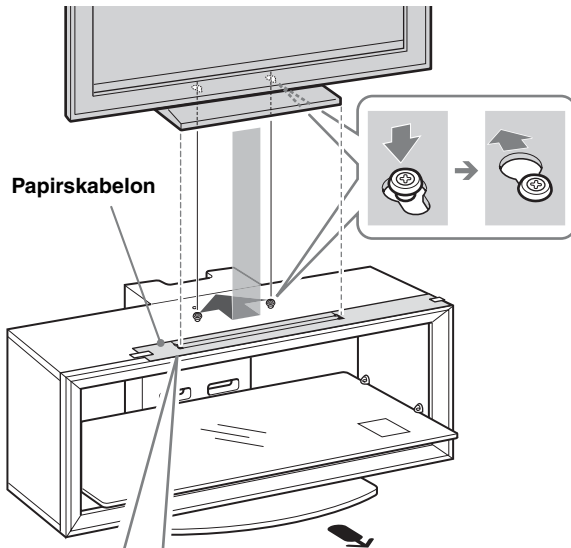
Hvis vippepladen ikke justeres korrekt, vil tv'et ikke blive monteret sikkert og kan falde ud.

(Fortsat)

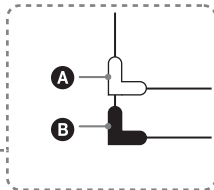
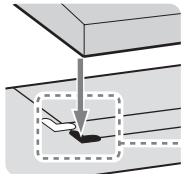
9 (DK)

2 Monter tv'et på tv-bordet.

- 1 Få tv-fodens omrids til at passe med tv-skærmens omrids og papirskabelonens hjørnemærker, så hullerne under tv-foden passer med bøsningerne, der blev sat på under 1 i trin 3.
- 2 Skub tv'et tilbage for at låse det fast.
- 3 Fjern papirskabelonen fra toppladen.



Gælder kun de modeller af vippetyper, der er angivet på 2



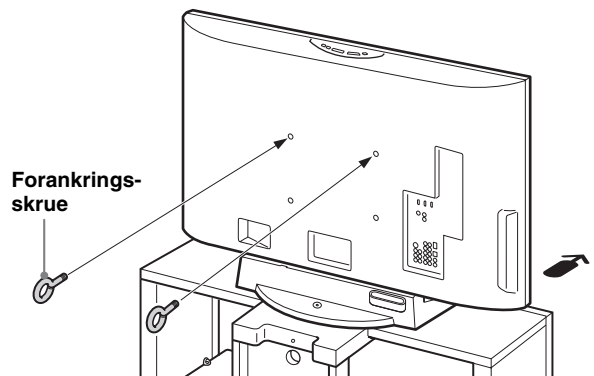
- A De hvide hjørnemærker gælder modeller af vippetyper.
- B De sorte hjørnemærker gælder andre modeller end modeller af vippetyper.

Bemærk

Til tv i størrelsen 37/40 tommer skal tv-foden rettes ind efter det sorte hjørnemærke, uanset om tv'et er af vippetyper eller ej. (Der er ikke noget hvidt hjørnemærke på papirskabelonen til 37/40 tommer.)

3 Monter forankringsskruerne.

Spænd de to medfølgende forankringsskruer fast på bagsiden af tv'et.



Bemærk

Hvis tv'et ikke monteres med de to forankringsskruer, kan det falde ned og forårsage personskade.

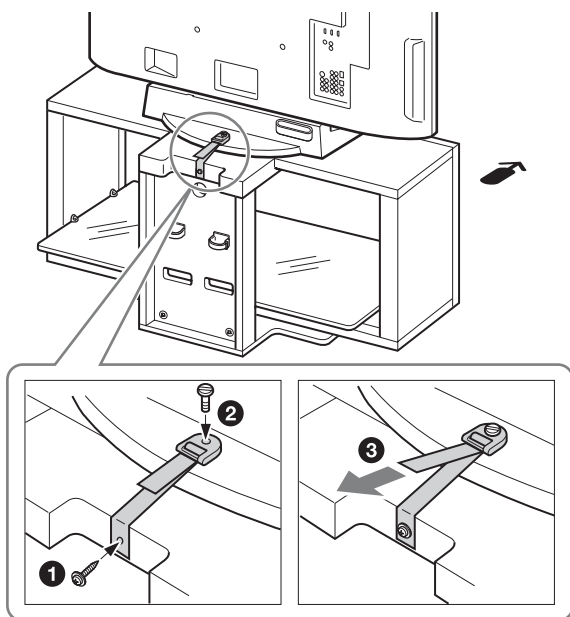
Trin 5: Sikkerhedsforanstaltninger til at forhindre, at tv-bordet vælter

ADVARSEL

Sørg for at tage forholdsregler for at forhindre, at tv-bordet vælter og muligvis kan forårsage personskade eller tingskade.

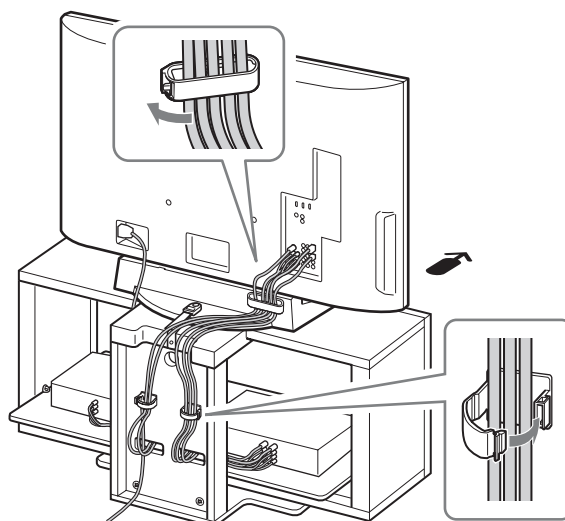
1 Sæt støtteremmen på.

- 1 Skru støtteremmen på tv-bordet med den medfølgende træskruue ved hjælp af skruetrækkeren.
- 2 Sæt støtteremmen på tv-foden, og skru remmen fast med den medfølgende fastgørelsesskruue med en mønt el. lign.
- 3 Juster længden ved at stramme støtteremmen, mens du holder tv-foden.



2 Tilslut kablerne.

Før kablerne gennem kabelholderne og hullerne i bagsøjlen.



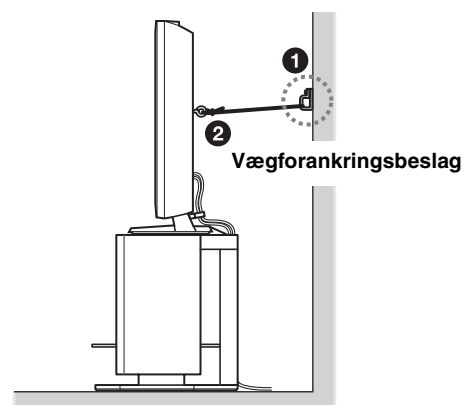
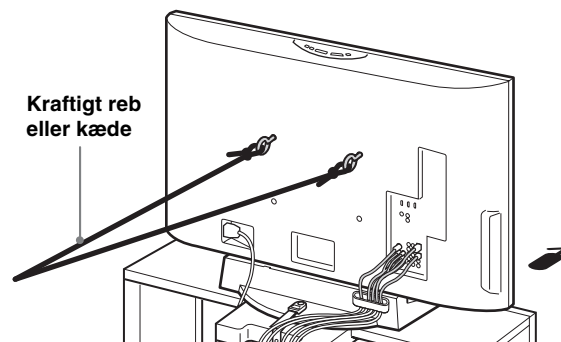
Bemærk

Hvis kablerne ikke er monteret korrekt, kan de blive klemt eller beskadiget, hvilket kan føre til elektrisk stød osv.

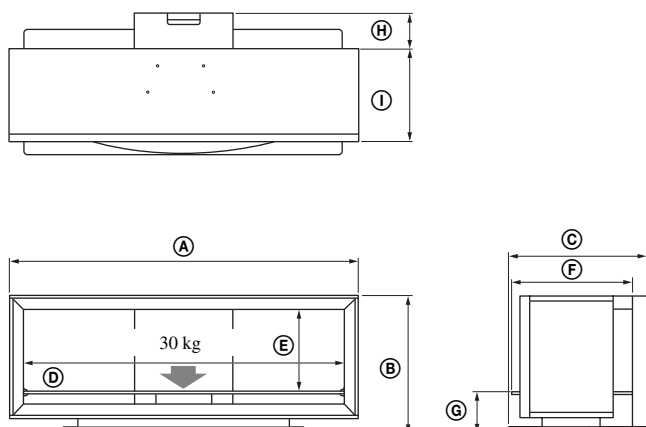
3 Udfør forankring af tv'et til væggen.

Sørg for at have et kraftigt reb eller en kraftig kæde og et vægforankringsbeslag parat.

- 1 Fastgør vægforankringsbeslaget til en bæredygtig væg.
- 2 Før rebet eller kæden gennem begge huller i forankringsskruerne, og stram den anden ende af rebet eller kæden til vægforankringsbeslaget.



Specifikationer



Bemærkning om bæreevne

Du må ikke placere udstyr på glashylden, der er tungere end den maksimale bæreevne, da glasset kan gå i stykker og forårsage personskaade.

		SU-FL300M	SU-FL300L
Mål: mm	Ⓐ	1.035	1.280
	Ⓑ	503	503
	Ⓒ	485	518
	Ⓓ	895	1.140
	Ⓔ	303	303
	Ⓕ	418	468
	Ⓖ	146	146
	Ⓗ	120	130
	Ⓘ	272	340
Vægt:		35 kg	52 kg

Ret til ændringer af design og specifikationer uden forudgående varsel forbeholdes.

Montering af centerhøjtaleren (kun til Home Theatre-systemer)

Centerhøjtaleren SS-CT71/CNP2200 er til følgende modeller af Home Theatre System:

DAV-HDX665	HT-SF2000
DAV-HDX466	HT-SF1200
DAV-HDX465	HT-SF1100
DAV-HDX267W	DAV-DZ750K
DAV-HDX266	DAV-DZ630
DAV-HDX265	DAV-DZ556KB
DAV-HDZ235	DAV-DZ555K
	DAV-DZ555M
	DAV-DZ530
	DAV-DZ250KW
	DAV-DZ250K
	DAV-DZ250M
	DAV-DZ231
	DAV-DZ230
	DAV-DZ151KB
	DAV-DZ150K

Centerhøjtaleren SS-CT72/CT74 er til følgende modeller af Home Theatre System:

DAV-HDX900W	DAV-DZ1000
DAV-HDX501W	DAV-DZ850KW
DAV-HDX500	DAV-DZ850M
	DAV-DZ830W
	DAV-DZ531W

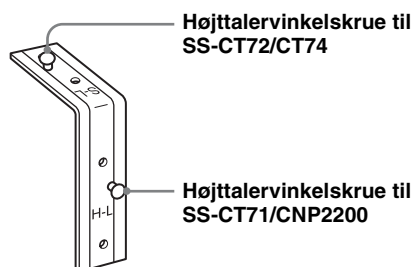
Bemærk

- Produkterne ovenfor kan ændres uden varsel, de er muligvis ikke på lager eller kan være udgået.
- Visse modeller er muligvis ikke tilgængelige i visse områder.

Før fastgørelse af højtalervinklen:

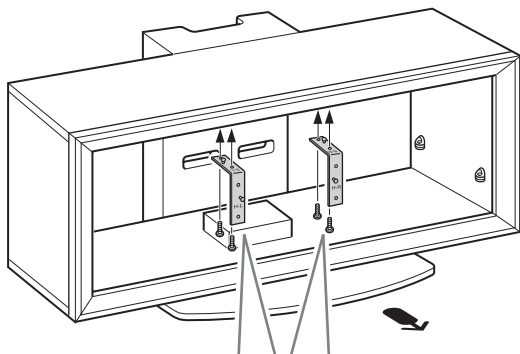
Til SS-CT71/CNP2200 skal H-L/H-R markeringen vende fremad. (H-L er til venstre side, H-R er til højre side.)

Til SS-CT72/CT74 skal S-L/S-R markeringen vende fremad. (S-L er til venstre side, S-R er til højre side.)

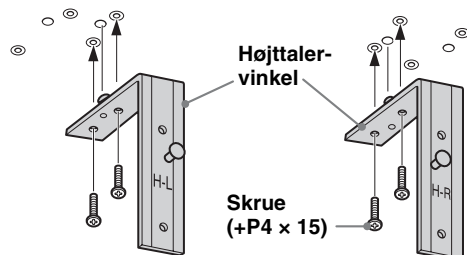


1 Sæt højtalervinklen på.

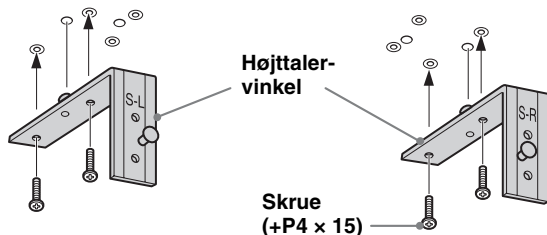
Fastspænd hver højtalervinkel med de medfølgende skruer (+P4 × 15) (to skruer hver til venstre/højre) på undersiden af toppladen.



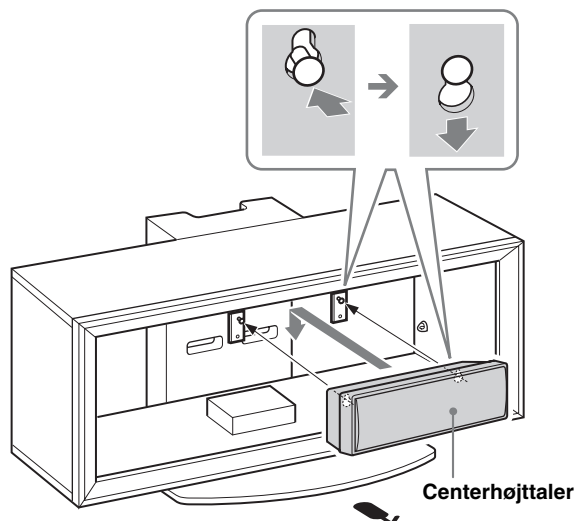
Centerhøjtaler: SS-CT71/CNP2200



Centerhøjtaler: SS-CT72/CT74



2 Hæng centerhøjtaleren på vinkelskruerne som vist.



Takk for at du kjøpte dette produktet.

For kunder

Dette produktet bør bare installeres av kvalifiserte Sony-servicerepresentanter, da det kreves to eller flere personer, stor forsiktighet, sikkerhet og tekniske ferdigheter.

ADVARSEL

Hvis du ikke følger sikkerhetsreglene, eller hvis produktet brukes feil, kan det føre til alvorlig skade eller brann.

Denne instruksjonshåndboken viser riktig håndtering av produktet og viktige forholdsregler som må følges for å hindre ulykker. Les denne håndboken nøye og bruk produktet korrekt. Ha denne håndboken tilgjengelig for fremtidig bruk.

For Sony-forhandlere

Installasjon av en TV krever to eller flere personer, ekstra forsiktighet og tekniske ferdigheter. Les denne håndboken nøye før du installerer en TV. Sony er ikke ansvarlig for ulykker eller skader som skyldes feil installasjon eller håndtering. Gi denne instruksjonshåndboken til kunden etter installasjonen.

Om sikkerhet

Produkter fra Sony er utformet med tanke på sikkerhet. Feil bruk kan føre til alvorlig skade på grunn av brann, elektrisk støt eller ved at produktet velter eller faller ned. Sørg for at du leser nøye gjennom sikkerhetsreglene for å hindre ulykker.

FORSIKTIG

Spesifiserte produkter

Følgende produkter kan endres uten forvarsel. Det kan være tomt på lager for enkelte modeller, eller de er ikke tilgjengelige i enkelte regioner.

	LCD farge-TV	
SU-FL300M	KDL-46W3500	KDL-40D2600
	KDL-46W3100	KLV-40W300A
	KDL-46W3000	KLV-40V300A
	KDL-46V3100	KLV-40D300A
	KDL-46V3000	KDL-37S3100
	KDL-46VL130	KLV-37S310A
	KDL-46S3000	KDL-32XBR4
	KDL-46D3550	KDL-32V3100
	KDL-46D3500	KDL-32T3000
	KDL-46D3100	KDL-32T2800
	KDL-46D3010	KDL-32T2600
	KDL-46D3000	KDL-32S3100
	KLV-46W300A	KDL-32S3000
	KLV-46V300A	KDL-32SL130
	KLV-46D300A	KDL-32D3100
	KDL-40W3500	KDL-32D3010
	KDL-40W3100	KDL-32D3000
	KDL-40W3000	KDL-32D2810
	KDL-40V3100	KDL-32D2710
	KDL-40V3000	KDL-32D2600
	KDL-40VL130	KLV-32V300A
	KDL-40T3000	KLV-32S310A
	KDL-40T2800	KLV-32D300A
	KDL-40T2600	
	KDL-40S3000	
	KDL-40SL130	
	KDL-40D3550	
	KDL-40D3500	
	KDL-40D3100	
	KDL-40D3010	
KDL-40D3000		
KDL-40D2810		
KDL-40D2710		
SU-FL300L	KDL-52W3000	
	KDL-52WL130	
	KDL-46W3000	
	KDL-46V3000	
	KDL-46VL130	
	KDL-46S3000	

Dette TV-stativet er kun beregnet for bruk med produkter som er spesifisert over. For andre TV-er må du se i brukerhåndboken om de kan brukes med dette TV-stativet. Enkelte TV-er blir levert med et hefte som forklarer hvordan TV-stativet skal monteres.

ADVARSEL

Hvis følgende forholdsregler ikke følges, kan det føre til alvorlig skade eller dødsfall på grunn av brann, elektrisk støt eller ved at produktet velter.

Produktet bør bare installeres av kvalifiserte Sony-servicerepresentanter.

TV-en og TV-stativet er veldig tunge; installasjon av ikke-kvalifiserte personer kan føre til alvorlige skader.

Sørg for å gjøre det som trengs for å hindre at TV-stativet velter.

Hvis du ikke gjør det, kan TV-apparatet velte og forårsake skade.

Fest TV-apparatet til en vegg, etc. for å hindre at det velter.

Installer TV-stativet på et solid og flatt underlag.

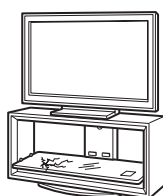
Ikke installer TV-stativet slik at det heller i én retning. Hvis du gjør det, kan TV-stativet velte eller TV-apparatet falle ned. Dette kan føre til skader eller skadeserstatninger.

Hvis du installerer TV-stativet på et mykt underlag, for eksempel en matte eller et teppe, må du først legge en plate på det ønskede stedet.

Ikke bruk et TV-stativ som er sprukket.

Ikke bruk TV-stativet hvis det har noen sprekker. Glasset kan brette og forårsake at TV-en tipper over, noe som kan forårsake alvorlige skader eller skadeserstatninger.

Sprukket TV-stativ



Ikke len deg på eller heng fra TV-en.

TV-stativet kan velte eller TV-apparatet kan falle ned og forårsake alvorlig personskade eller dødsfall.



La ikke barn kripe mellom hyllene eller klatre på TV-stativet.

Hvis barn klatrer på TV-stativet eller kommer mellom hyllene, er det fare for alvorlig skade eller død dersom glass sprekker eller TV-stativet og TV-apparatet tipper over.



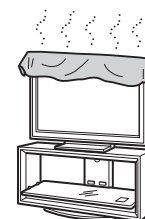
Ikke trå på TV-stativet.

Du kan falle eller brette glass og forårsake skade.



Ikke dekk til ventilasjonshullene på TV-apparatet.

Hvis du dekker ventilasjonshullene (med et klede eller lignende), kan det dannes varme på innsiden som igjen kan føre til brann.



Nettledningen eller tilkoblingskabelen må ikke komme i klem.

- Nettledningen og tilkoblingskabelen må ikke komme i klem når du installerer TV-apparatet på TV-stativet. Ødelagte nettledninger og tilkoblingskabler kan føre til brann eller elektrisk støt.
- Ikke trakk på nettledningen eller tilkoblingskabelen når du bærer TV-stativet. Nettledningen eller tilkoblingskabelen kan skades, og dette kan føre til brann eller elektrisk støt.



Ikke flytt TV-stativet med TV-apparatet montert, eller med tilkoblet utstyr på innsiden.

Hvis du flytter TV-stativet med TV-apparatet montert, kan dette skade ryggen din, eller TV-stativet kan tippe over og forårsake alvorlige skader. Alt montert utstyr på innsiden kan falle og knuse glasshyller eller gjøre skade på annet materiale.



FORSIKTIG

Hvis ikke følgende forholdsregler overholdes, er det fare for skade på person eller eiendom.

Ikke installer annet utstyr enn det spesifiserte produktet.

- Dette TV-stativet er kun beregnet for bruk med det angitte produktet. Hvis du installerer annet utstyr enn det som er angitt, kan det falle eller gå i stykker og forårsake personskade.
- Ikke plasser objekter som vaser, pottes osv på TV-stativet.
- Ikke modifier TV-stativet.
- Ikke plasser noe varmt direkte på TV-stativet. Varme kan føre til misfarging eller deformering av TV-stativet.
- Ikke plasser noe direkte på TV-stativet som kan skade glasset.

Feste TV-apparatet.

Fest TV-apparatet til TV-stativet med de medfølgende sikkerhetsfestene. Hvis TV-apparatet ikke er ordentlig festet, kan det falle, eller TV-stativet kan velte og forårsake skade.

Ikke len deg på glasset eller utsett det for noen form for støt.

Ikke len deg på TV-stativet når du installerer TV-apparatet. Ikke slå på TV-stativet med harde gjenstander, for eksempel en skrutevinkel osv. Glasset kan brette og forårsake skader.

Bære TV-stativet

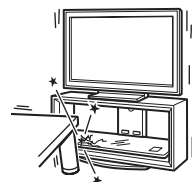
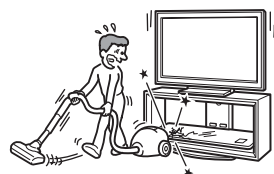
Forsøk på å flytte TV-stativet alene, eller uten å følge korrekt fremgangsmåte, kan føre til skade. For å unngå dette, må du følge rådene nedenfor.

- Sørg for at to eller flere personer bærer TV-stativet, og da kun etter å ha fjernet TV-apparatet, tilkoblet utstyr og glasshyller.
- Ikke slep TV-stativet. Understellet på TV-stativet kan løsne og skade gulvet.
- Vær forsiktig så du ikke klemmer hendene eller tærne dine under fundamentplate.
- Ikke grip i glasshyllene når du bærer TV-stativet.

Ikke utsett glasset for harde støt.

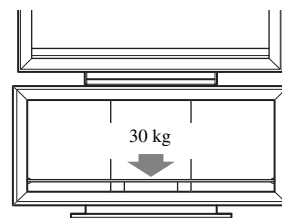
Dette TV-stativet er laget av herdet glass, men må likevel behandles med forsiktighet. Hvis glasset knuses, kan glasskår forårsake skader. Les derfor følgende forholdsregler nøye:

- Ikke slå i glasset eller slipp skarpe gjenstander på det. Unngå harde støt.
- Ikke skrap i eller stikk i glasset med skarpe gjenstander.
- Ikke la harde gjenstander, for eksempel en støvsuger, slå bort kantene på glasset.



Merknad til bærekapasitet

Ikke plasser utstyr som overskrider maksimal vekt for hver hyll, som indikert i illustrasjonen. Ved for stor vekt kan hyllene brette.



Installering

- Ved montering bør pakkematerialene legges ut på gulvet for å beskytte gulvet.
- Installer TV-stativet på et solid og flatt underlag. Ikke installer TV-stativet i vinkel eller slik at det står skrått. Ta følgende forholdsregler for å unngå dette.
 - Ikke installer TV-stativet på steder med direkte sollys eller nær en varmeovn.
 - Ikke installer TV-stativet på et varmt eller fuktig sted eller utendørs.

Bruk

Tørk av TV-stativet med en tørr, myk klut for å holde det rent. Vanskelige flekker kan fjernes med en klut som er lett fuktet med en mild såpe. Tørk området etterpå med en tørr myk klut. Ikke bruk kjemikalier, for eksempel fortynner eller bensin, da dette skader overflaten på TV-stativet.

Til Sony-forhandlere

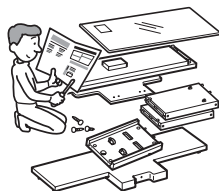
Les nøye gjennom sikkerhetsreglene som er beskrevet ovenfor, og konsentrer deg om sikkerheten under installering, vedlikehold, kontroll og reparasjon av dette produktet.

Sørg for at to eller flere personer utfører installasjonsarbeidet.

Påse at to eller flere personer installerer TV-apparatet på TV-stativet. Hvis én person utfører installasjonsarbeidet alene, kan det føre til uhell eller personskade. Hold barn unna under installeringen.

Installer TV-stativet på en sikker måte i henhold til instruksjonene.

Hvis en skrue ikke strammes godt nok, eller har falt ut, kan det forårsake at TV-stativet velter. Dette kan føre til skade på personer eller materialer.



Pass på at du ikke skader hender eller fingre under montering.

Pass på at du ikke skader hender eller fingre når du plasserer TV-apparatet på TV-stativet.

Installer TV-apparatet på en sikker måte i henhold til instruksjonene.

Stram skruene ordentlig. Hvis TV-apparatet ikke er ordentlig festet, kan det falle ned og forårsake personskade.

Trinn 1: Kontroller delene

Navn		Antall
Topplate		1
Fundamentplate		1
Sidestolpe (L)* ¹		1
Sidestolpe (R)* ¹		1
Baksøyle		1
Frontpanel		1
Glasshyll		1
Skrue (+PWH5 × 25)		a* ⁴ 8
Skrue (+K4 × 20) + muffe		b* ⁴ 2
Kamlåsskrue		c* ⁴ 4
Skrue (+P4 × 15)		d* ⁴ 4
Aankerbolt		e* ⁴ 2
Skrukork		f* ⁴ 3
Støttereim		g* ⁴ 1
Skrue (M6 × 18)		
Treskrue (M3,8 × 20)		
Høytalerkrok (L)		1
Høytalerkrok (R)		1
Papirmal		4* ² 3* ³
Tape		1

*¹ Illustrasjonene over er for SU-FL300M. Dette avviker fra SU-FL300L. For SU-FL300L, er det to utsnittsdeler på siden av sidestolpen.

*² For SU-FL300M, fire papirmaler er vedlagt.

*³ For SU-FL300L, tre papirmaler er vedlagt.

*⁴ Posene med delene er merket alfabetisk.

Før monteringen må du sørge for å ha klar en Phillipsskrutrekker som passer til skruene som vises ovenfor.

Trinn 2: Monter TV-stativet

ADVARSEL

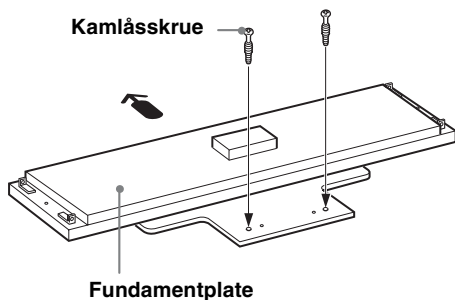
Hvis du lar nettleddingen komme i klem under eller mellom utstyrsdeler, kan det føre til kortslutning eller elektrisk støt. Hvis du snubler over nettleddningen eller tilkoblingskabelen, kan TV-stativet velte og forårsake skade.

Bestem deg for hvor du vil plassere TV-apparatet og legg TV-stativet ned før du begynner installasjonen.

Fordi TV-apparatet er tungt, anbefales det at du finner installasjonsstedet på forhånd, og monterer TV-stativet på stedet.

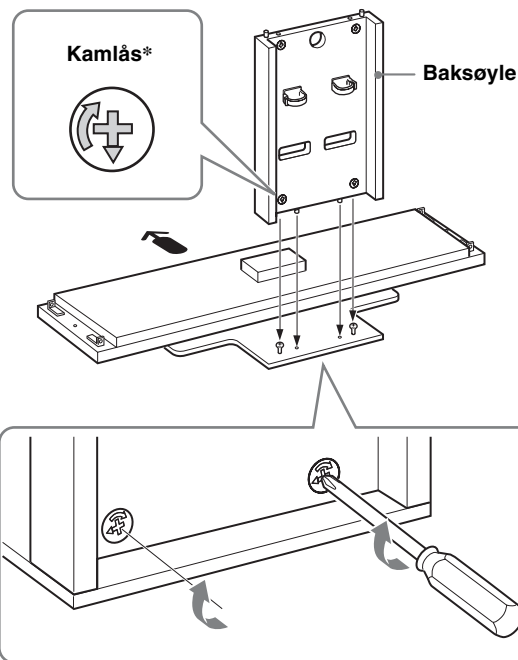
1 Fest bakstolpen til fundamentplaten.

- 1 Fest de to medsendte kamlåsskruene til fundamentplaten.



← Pilretningen viser fronten på TV-stativet.

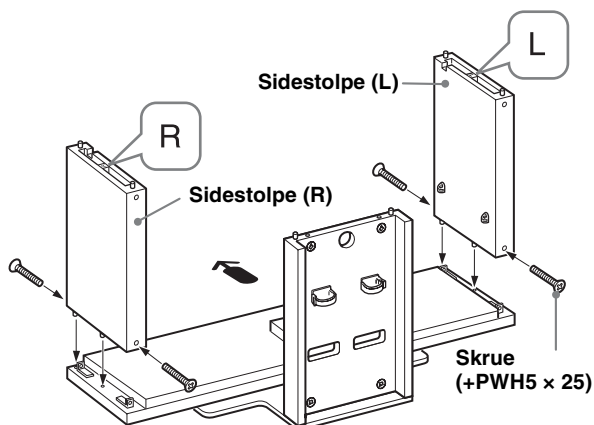
- 2 Fest baksøylen til bunnrammen og fest de to kamlåsene med en skrutrekker.



* Før du fester baksøylen må du passe på at ▽ merket peker nedover.

2 Fest sidestolpene til fundamentplaten.

Fest sidestolpene og fundamentplaten med de fire medsendte skruene (+PWH5 × 25).

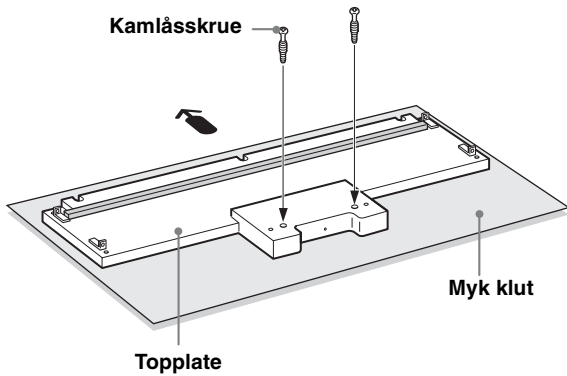


Merk

Det er forskjeller mellom de venstre og høyre stolpene. Sikre at du monterer hver stolpe på riktig side.

3 Fest topplaten.

- 1 Fest de to medsendte kamlåsskruene til topplaten.

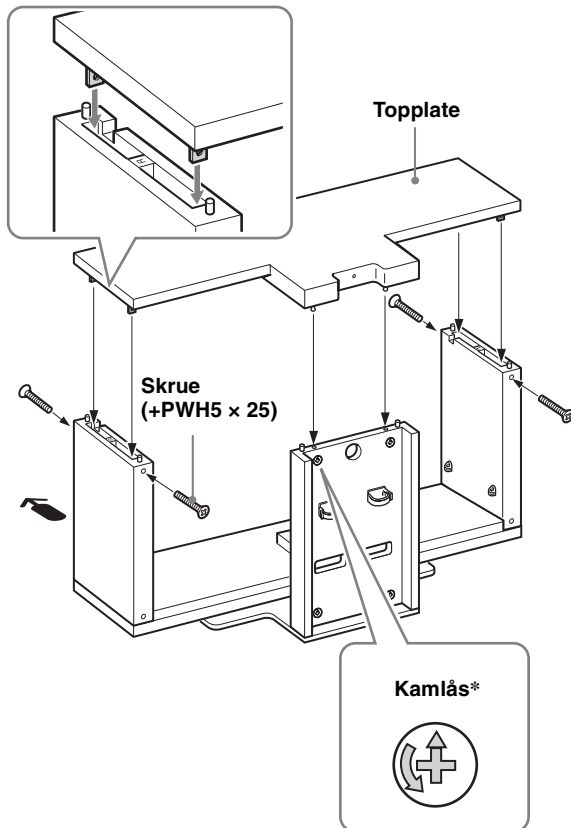


Illustrasjonen som er vist over er SU-FL300M som et eksempel. For SU-FL300L, er det to forsterkningssøyler på topplaten.

Merk

For å forhindre skader på den polerte overflaten på topplaten, skal du rengjøre og plassere en myk klut på arbeidsoverflaten.

- 2 Rett inn og sett i festebrikker på begge sider av topplaten og inn i sideveggene.
- 3 Fest sidestolpene med de fire medsendte skruene (+PWH5 × 25). Fest de to kamlåsene som er igjen, på baksiden av baksøylen.



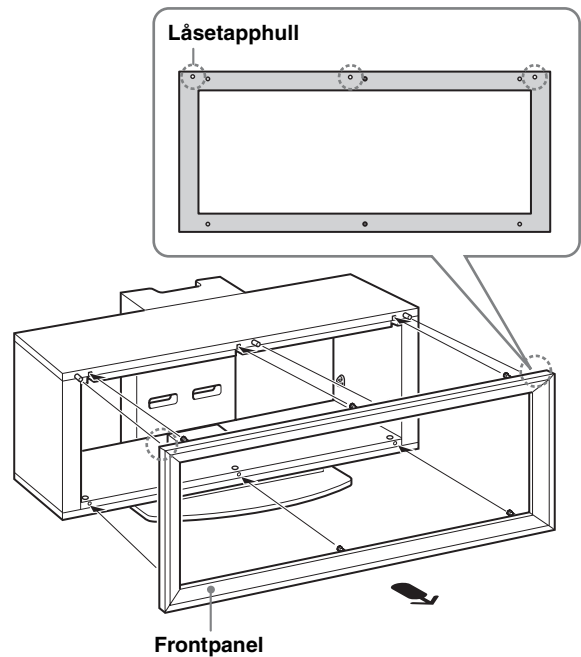
* Før du fester topplaten må du passe på at Δ merket peker oppover.

Merk

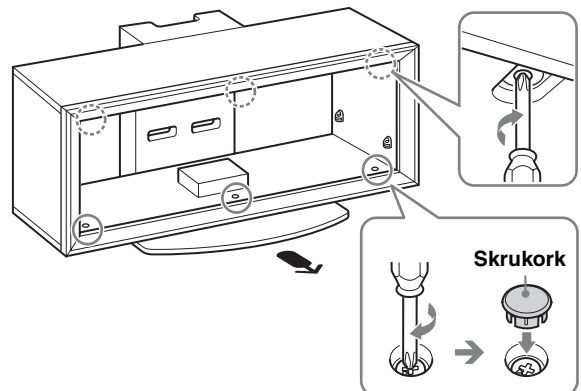
Vær forsiktig slik at du ikke klemmer fingrene når du fester topplaten.

4 Fest frontpanelet til TV-stativet.

- 1 Tilpass de tre låsetappene på TV-stativet med de tre hullene på frontpanelet.



- 2 Vri de seks kamlåsskruene på topp- og fundamentplaten med urviseren for å feste frontpanelet. Så festes de tre vedlagte dekselene for skruerhull på de tre bunnskruene.



Merk

Sikre at du fester frontpanelet i riktig retning.

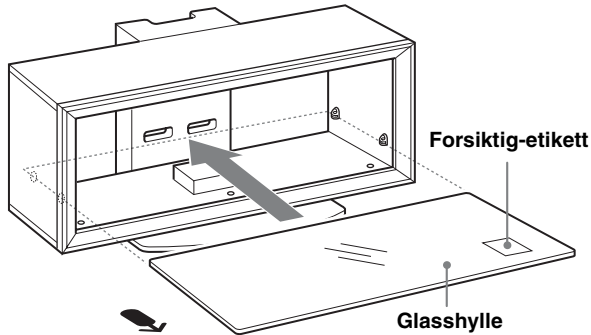
(Fortsetter)

7 (NO)

5 Feste glasshyllen.

Hvis du fester Home Theatre System til stativet, skal du først feste høytalerkrokene. (Henvis til "Montere den midtre høytaleren (Kun for Home Theatre Systems)" på side 12).

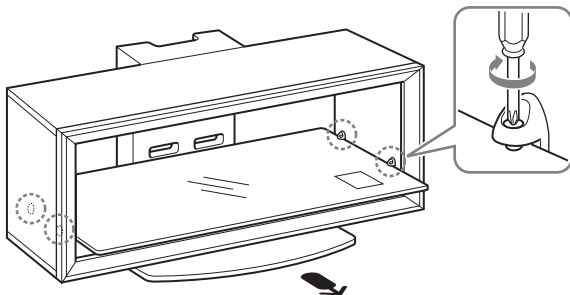
- 1 Skyv glasshyllen helt inn til den treffer baksøylen.



Merk

Fest glassplaten i TV-benken med advarselmerket pekende opp og til høyre foran, som vist på tegningen.

- 2 Skru til de fire skruene på sideveggene for å sikre glassplaten til TV-benken.



Trinn 3: Klargjøring for installering av TV- apparatet

1 Fest muffene til topplaten.

Sett fast hylsene med vedlagte skruer (+K4 × 20).

For modeller som ikke er spesifisert på side 2:

Bruk de fremre hullene.

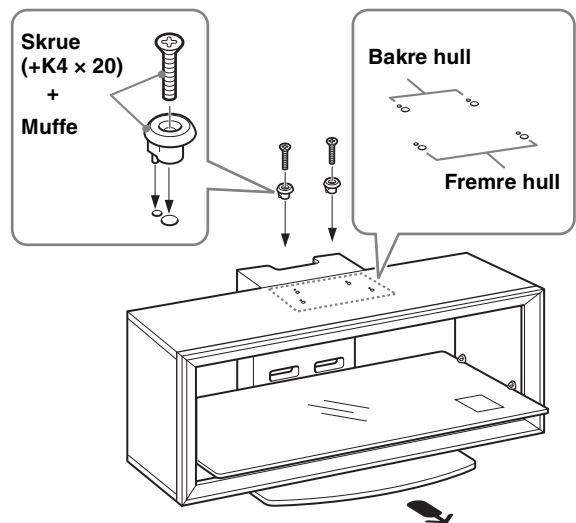
For modeller som er spesifisert på side 2:

For dreiemodeller* brukes de bakre hullene; for faste modeller brukes de fremre hullene.

Merk

Kontroller TV-ens operasjonsinstruksjoner om hvorvidt TV-en din kan dreies eller ikke.

* Dreiefunksjonen gir deg mulighet til å justere visningsvinkelen på TV-en (venstre og høyre).



2 Lim på den medsendte papirmalen på topplaten.

- 1 Velg vedlagte papirmal og rett inn kantene på høyre hjørne på papirmalen med høyre side på topplaten.

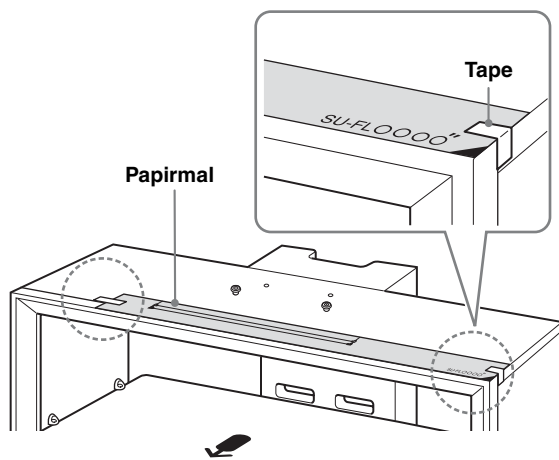
For modeller som ikke er spesifisert på side 2:

Vær sikker på at du bruker papirmalen som samsvarer med din TV.

For modeller som er spesifisert på side 2:

Velg papirmalen med sort skrift som samsvarer med skjermens størrelse på din TV.

- 2 Tape fast papirmalen til topplaten med den medsendte tapen.

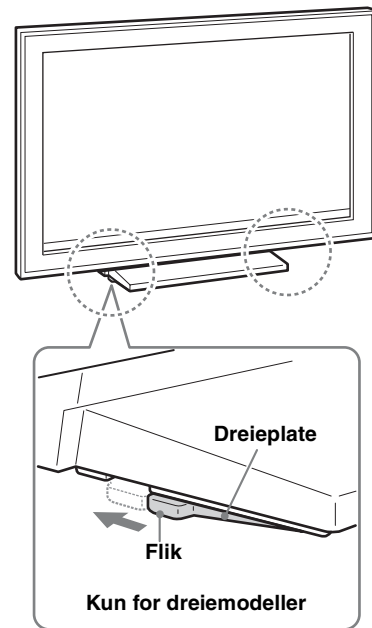


Trinn 4: Installer TV-apparatet

Fest din TV til dens underdel om dette ikke allerede er gjort. Det er kun for de spesifiserte dreiemodellene på side 2 hvor prosedyren del 1, trinn 4 følges.

1 Tilpass posisjonen på dreieplaten til midten (Kun for dreiemodeller).

Før du monterer TV-en, juster flikene på dreieplaten med snittene i stativets bordplate.



ADVARSEL

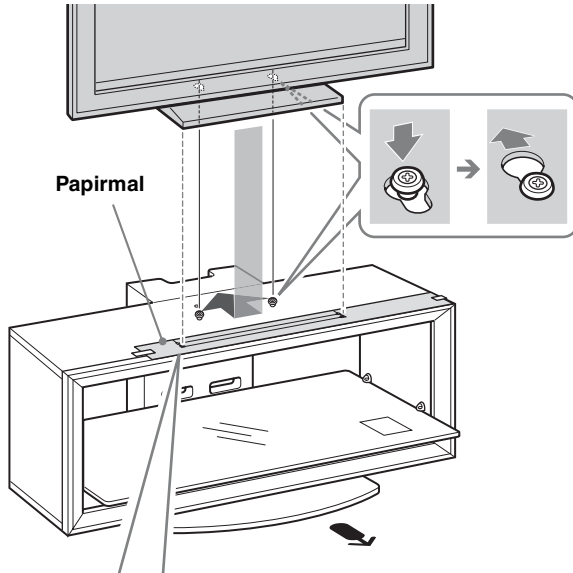
Hvis dreieplaten ikke er justert riktig, vil ikke TV-en være montert sikkert og kan falle ned.

(Fortsetter)

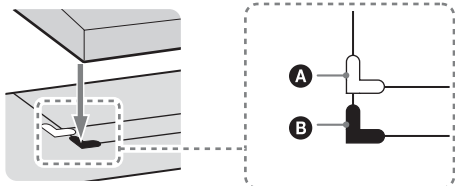
9 (NO)

2 Monter TV-apparatet til TV-stativet.

- 1 Tilpass ytterkanten på underdelen til TV-skjermens ytterkant og hjørnemerke på papir malen, slik at hullene på underdelen flukter med hylsene som ble festet i del 1, trinn 3.
- 2 Skyv TV-en bakover til den låses på plass.
- 3 Ta bort papirmalen fra topplaten.



Kun for de spesifiserte dreiemodelle på side 2.



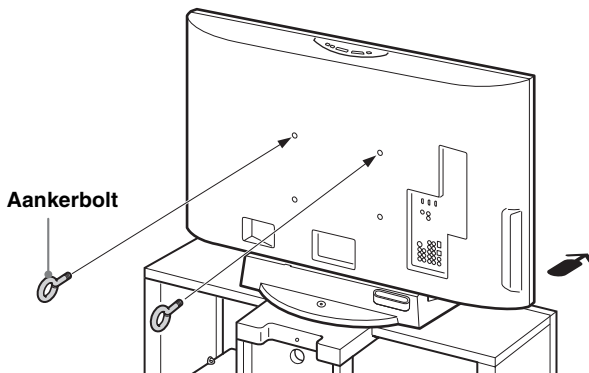
- A Det hvite hjørnemerket er for dreiemodeller.
- B Det svarte hjørnemerket er for faste modeller.

Merk

For 37/40 tommers TV, uansett om TV'n er dreiemodell eller ikke, tilpasses underdelen til det sorte hjørne merket. (Det er ingen hvite hjørnemerker på papirmalene for 37/40 tommer.)

3 Fest ankerboltene.

Fest de to medsendte ankerboltene til baksiden av TV-en.



Merk

Hvis du ikke bruker to ankerboltene til å feste TV-apparatet, kan det falle ned og forårsake skader.

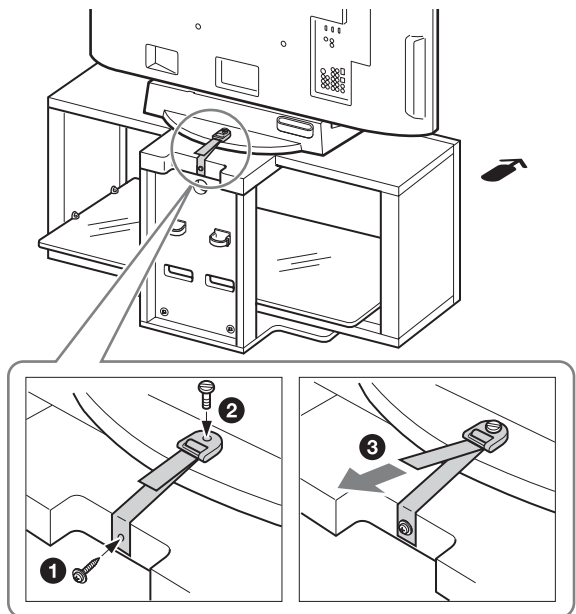
Trinn 5: Forholdsregler for å hindre velt

ADVARSEL

Sørg for å gjøre det som trengs for å hindre at TV-stativet velter, og forårsake mulige skader og skadeerstatninger.

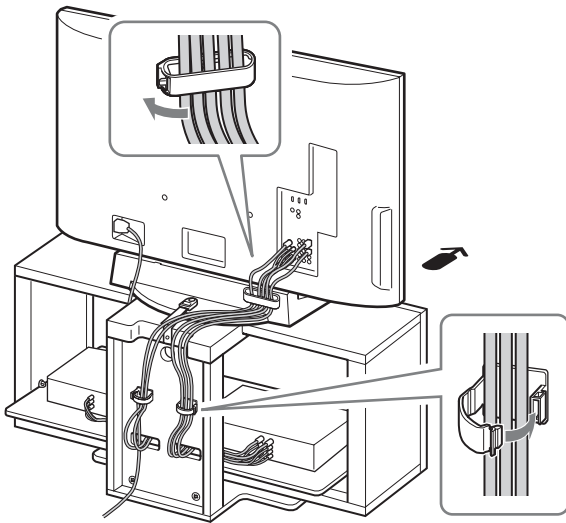
1 Fest støtteireimen.

- 1 Skru fast støtteireimen til TV-benken med vedlagte treskruer ved bruk av ett skrujern.
- 2 Fest støttebåndet til underdelen, og skru fast båndet med vedlagte sikkerhetsskruer ved bruk av en mynt eller lignende.
- 3 Tilpass lengden ved å feste støtteireimen mens du holder stativets bordplate.



2 Koble til kablene.

Putt kablene gjennom kabelholderne og hullene i baksøylen.



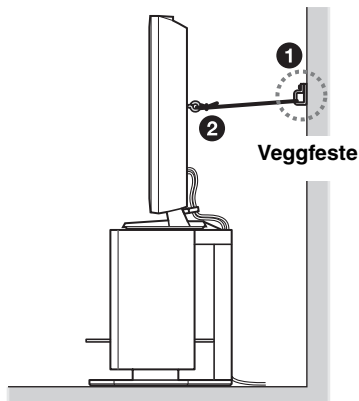
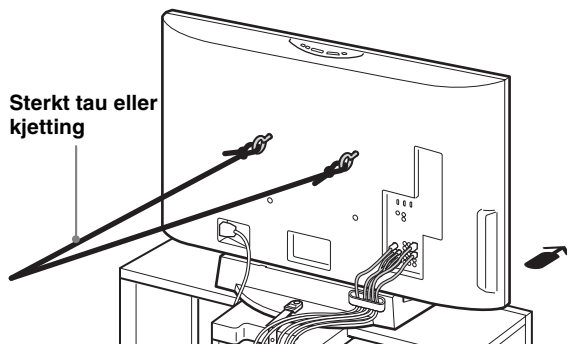
Merk

Hvis kablene ikke blir montert skikkelig, kan de bli klemt og bli skadet, og kan resultere i elektrisk støt etc.

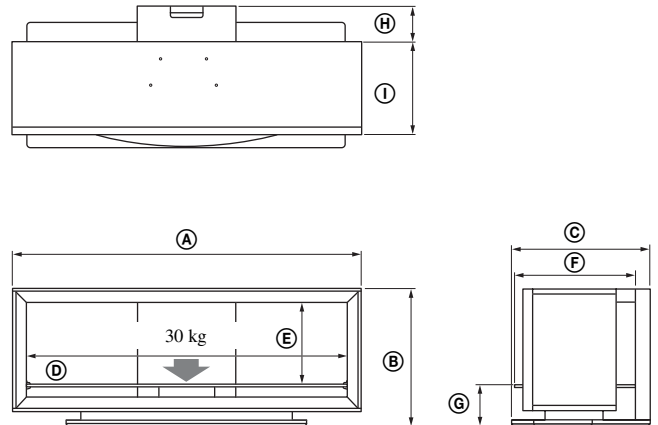
3 Fest TV-en til veggen.

Klargjør på forhånd et sterkt tau eller en kjetting og et veggfeste.

- 1 Fest veggfestet til en solid vegg.
- 2 Før tauet eller kjettingen gjennom begge hullene i ankerboltene, og fest deretter den andre enden av tauet eller kjettingen til veggfestekonsollen.



Spesifikasjoner



Merknad til bærekapasitet

Ikke plasser noen gjenstander som overskrider maksimumsvekten på glasshyllen, da den kan brette og forårsake skader.

		SU-FL300M	SU-FL300L
Dimensjoner: mm	(A)	1035	1280
	(B)	503	503
	(C)	485	518
	(D)	895	1140
	(E)	303	303
	(F)	418	468
	(G)	146	146
	(H)	120	130
	(I)	272	340
Vekt:		35 kg	52 kg

Utforming og spesifikasjoner kan endres uten forvarsel.

Montere den midtre høyttaleren (Kun for Home Theatre Systems)

Midthøyttaler modell SS-CT71/CNP2200 er for følgende Home Theatre System modeller:

DAV-HDX665	HT-SF2000
DAV-HDX466	HT-SF1200
DAV-HDX465	HT-SF1100
DAV-HDX267W	DAV-DZ750K
DAV-HDX266	DAV-DZ630
DAV-HDX265	DAV-DZ556KB
DAV-HDZ235	DAV-DZ555K
	DAV-DZ555M
	DAV-DZ530
	DAV-DZ250KW
	DAV-DZ250K
	DAV-DZ250M
	DAV-DZ231
	DAV-DZ230
	DAV-DZ151KB
	DAV-DZ150K

Midthøyttaler modell SS-CT72/CT74 er for følgende Home Theatre System modeller:

DAV-HDX900W	DAV-DZ1000
DAV-HDX501W	DAV-DZ850KW
DAV-HDX500	DAV-DZ850M
	DAV-DZ830W
	DAV-DZ531W

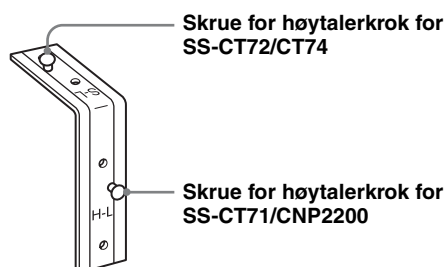
Merknader

- Produktene over kan endres uten varsel, er tomme på lager, eller ute av produksjon.
- Enkelte modeller er ikke tilgjengelige i enkelte regioner.

Før du fester høyttalerkroken:

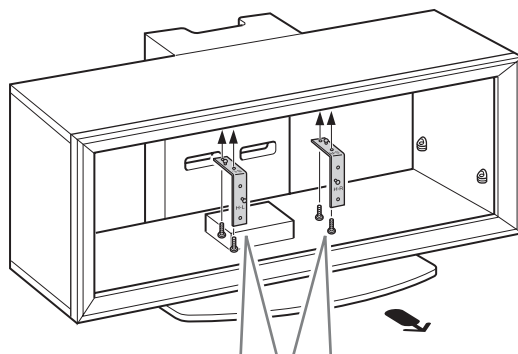
For SS-CT71/CNP2200, skal H-L/H-R merkingen vende nedover. (H-L er for venstre side, H-R er for høyre side.)

For SS-CT72/CT74, skal S-L/S-R merkingen vende nedover. (S-L er for venstre side, S-R er for høyre side.)

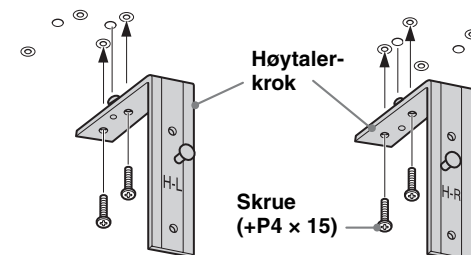


1 Fest høyttalerkroken.

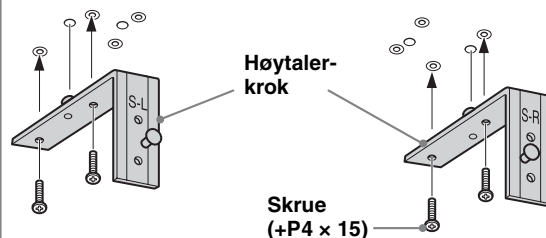
Fest hver høyttalerkrok med de medsendte skruene (+P4 x 15) (to skruer for hver for venstre/høyre) til undersiden av topplaten.



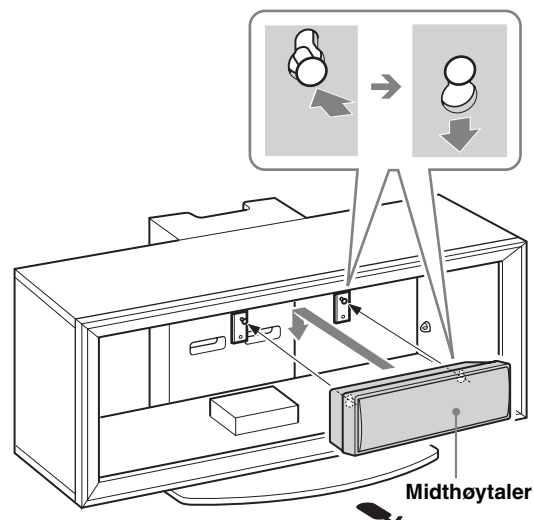
Midthøyttaler: SS-CT71/CNP2200



Midthøyttaler: SS-CT72/CT74



2 Heng midthøyttaleren på kroksskruene som vist.



Tack för att du visade oss förtroende genom att välja denna produkt.

För kunder

Den här produkten bör bara installeras av behöriga yrkesmän som rekommenderats av Sony eftersom installationen kräver minst två personer, särskild omsorg, speciella säkerhetsåtgärder och viss teknik.

VARNING!

Om du inte följer säkerhetsföreskrifterna eller använder produkten på fel sätt kan det leda till allvarliga personskador eller brand.

I den här bruksanvisningen finns instruktioner för hur produkten används samt information om sådant som du behöver känna till för att undvika olyckor. Läs den här bruksanvisningen noga och använd produkten enligt instruktionerna. Ha bruksanvisningen tillgänglig för framtida bruk.

För Sony-återförsäljare

Installation av en TV-apparat kräver minst två personer, särskild omsorg och viss teknik. Vid installation av en TV-apparat ska den här bruksanvisningen följas noggrant. Sony kan inte ställas ansvarigt för olyckor eller skador till följd av felaktig installation eller hantering. Vänligen ge den här bruksanvisningen till kunden efter utförd installation.

Om säkerhet

Sonys produkter är utformade med tanke på säkerhet. Felaktig användning kan leda till allvarliga personskador till följd av brand, elstötar, att produkten välter eller faller i golvet. Åsidosätt inte säkerheten så förebygger du sådana olyckor.

VAR FÖRSIKTIG

Specificerade produkter

Följande produkter kan ändras utan föregående meddelande. Vissa modeller kan vara slut på lager eller inte tillverkas längre eller så är de inte tillgängliga i vissa regioner.

	LCD färg-TV	
SU-FL300M	KDL-46W3500	KDL-40D2600
	KDL-46W3100	KLV-40W300A
	KDL-46W3000	KLV-40V300A
	KDL-46V3100	KLV-40D300A
	KDL-46V3000	KDL-37S3100
	KDL-46VL130	KLV-37S310A
	KDL-46S3000	KDL-32XBR4
	KDL-46D3550	KDL-32V3100
	KDL-46D3500	KDL-32T3000
	KDL-46D3100	KDL-32T2800
	KDL-46D3010	KDL-32T2600
	KDL-46D3000	KDL-32S3100
	KLV-46W300A	KDL-32S3000
	KLV-46V300A	KDL-32SL130
	KLV-46D300A	KDL-32D3100
	KDL-40W3500	KDL-32D3010
	KDL-40W3100	KDL-32D3000
	KDL-40W3000	KDL-32D2810
	KDL-40V3100	KDL-32D2710
	KDL-40V3000	KDL-32D2600
	KDL-40VL130	KLV-32V300A
	KDL-40T3000	KLV-32S310A
	KDL-40T2800	KLV-32D300A
	KDL-40T2600	
	KDL-40S3000	
	KDL-40SL130	
	KDL-40D3550	
	KDL-40D3500	
	KDL-40D3100	
	KDL-40D3010	
KDL-40D3000		
KDL-40D2810		
KDL-40D2710		
SU-FL300L	KDL-52W3000	
	KDL-52WL130	
	KDL-46W3000	
	KDL-46V3000	
	KDL-46VL130	
	KDL-46S3000	

Detta TV-stativ är enbart tillverkat för att användas med de produkter som anges ovan. Om du vill använda stativet för någon annan TV bör du först kontrollera i den bruksanvisning som medföljde apparaten för att se om detta TV-stativ kan användas.

Vissa TV-apparater levereras med en broschyr som förklarar hur TV-stativet ska installeras.

VARNING!

Om följande anvisningar inte följs kan allvarliga personskador eller dödsfall inträffa till följd av brand, elstötar eller att produkten välter.

Produkter bör bara installeras av utbildade yrkesmän som rekommenderats av Sony.

TV:n och TV-stativet är väldigt tunga. Installation av personer som inte är utbildade kan leda till allvarliga skador.

Se till att vidta försiktighetsåtgärder för att förhindra att TV-stativet välter.

Om du inte gör det kan TV-apparaten välta och orsaka personskador. Förankra TV-apparaten i en vägg eller liknande så att den inte kan välta.

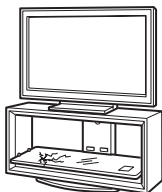
Placera TV-stativet på ett plant och stabilt golv.

Placera inte TV-stativet så att det lutar åt något håll. I så fall kan det välta eller TV-apparaten falla ned. Detta kan orsaka person- eller egendomsskada. Om du placerar TV-stativet på en mjuk yta, t.ex. en matta, bör du först lägga dit en hård skiva som du placerar stället på.

Använd inte ett TV-stativ som har sprickor.

Använd inte TV-stativet om det har fått sprickor. Glaset kan gå sönder och leda till att TV:n välter, vilket kan leda till allvarliga skador.

Sprucket TV-stativ



Luta eller häng dig aldrig på TV:n.

TV-stativet kan välta, eller så kan TV-apparaten falla i golvet och orsaka allvarliga skador eller i värsta fall dödsfall.



Låt inte barn klättra på TV-stativet eller krypa mellan hyllorna.

Om barn kliver på TV-stativet eller hamnar mellan hyllorna kan de skadas allvarligt eller till och med dö om glaset går sönder eller om TV-stativet och TV:n faller framåt.



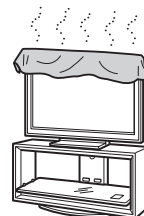
Trampa inte på TV-stativet.

Du kan ramla, glaset kan gå sönder och orsaka skada.



Täck inte för TV-apparatens ventilationshål.

Om du täcker för ventilationshålen (med tyg eller liknande) kan TV-apparaten bli överhettad vilket kan leda till brand.



Se till att inte nätkabeln eller anslutningskabeln kommer i kläm.

- Se till att varken nätkabeln eller anslutningskabeln kommer i kläm när du monterar TV-apparaten på TV-stativet. Om nätkabeln eller anslutningskabeln skadas kan det leda till brand eller stötar.
- Se upp så att du inte trampar på nätkabeln eller anslutningskabeln när du bär TV-stativet. Nätkabeln eller anslutningskabeln kan skadas vilket kan leda till brand eller stötar.



Flytta inte TV-stativet med TV-apparaten eller annan ansluten utrustning.

Om du flyttar TV-stativet med TV-apparaten ansluten kan din rygg skadas eller så kan TV-stativet välta och orsaka allvarlig skada. Annan ansluten utrustning kan också falla vilket kan leda till att glashyllan går sönder eller att annan egendom skadas.



VAR FÖRSIKTIG

Om du inte följer följande säkerhetsföreskrifter finns det risk för personskador eller skador på egendom.

Installera inga andra enheter än den specificerade produkten.

- Detta TV-stativ är enbart tillverkat för att användas med den specificerade produkten. Om du monterar annan utrustning än den som specificeras kan stället välta eller gå sönder och orsaka skador.
- Placera inte föremål som t.ex. vaser, krukor etc. på TV-stativet.
- Modifiera inte TV-stativet.
- Placera inget varmt direkt på TV-stativet. Värmen kan orsaka missfärgning eller formförändring av TV-stativet.
- Placera inget direkt på TV-stativet som kan skada glaset.

Se till att förankra TV-apparaten.

Skruva fast TV-apparaten i TV-stativet med medföljande fästen. Om inte TV-apparaten skruvas fast ordentligt kan den falla i golvet eller så kan TV-stativet välta och orsaka skador.

Utsätt inte glaset för tyngd, slag eller stötar.

Se till att du inte tynger ner TV-stativet med händerna när TV-apparaten installeras. Slå inte mot TV-stativet med hårda föremål som t.ex. en skruvmejsel etc. Glaset kan gå sönder och orsaka skador.

När du bär TV-stativet

Om du försöker flytta TV-stativet ensam, eller om du inte följer anvisningarna, kan det leda till personskador. Du undviker detta genom att följa nedanstående råd.

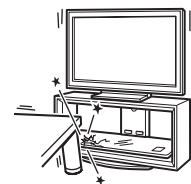
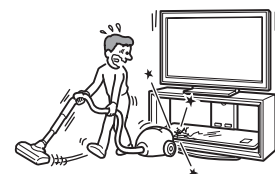
- Se till att minst två personer bär TV-stativet och bär det inte förrän TV-apparaten, ansluten utrustning och glashyllorna monterats bort.
- Dra inte TV-stativet. TV-stativets basdelar kan ramla av och skada golvet.
- Se till att inte någon klämmer händer eller fötter under bottenplattan.
- Fatta inte tag i glashyllan när du bär TV-stativet.

Utsätt inte glaset för kraftiga stötar.

Detta TV-stativ är tillverkat av härdat glas, men du bör ändå vara försiktig när du hanterar det.

Om glaset går sönder kan glasbitarna orsaka skador; följ därför nedanstående säkerhetsföreskrifter.

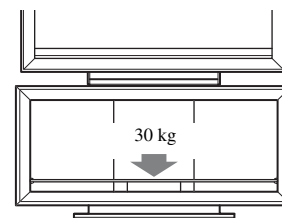
- Slå inte på glaset eller tappa vassa föremål på det. Undvik att utsätta glaset för starka stötar.
- Repa inte glaset eller knacka på det med vassa föremål.
- Se till att inte hårda föremål, t.ex. en dammsugare, slår emot kanterna på glaset.



Notering om lastkapacitet

Placera inte utrustning som överstiger maximal kapacitet för varje hylla enligt indikationen i illustrationen.

Hyllorna kan då gå sönder.



Notering om installation

- Placera förpackningsmaterialet på golvet vid montering för att undvika att golvet skadas.
- Placera TV-stativet på ett plant och stabilt golv. Se till att du inte placerar TV-stativet snett eller så att det lutar åt något håll. Du undviker detta genom att följa följande säkerhetsföreskrifter:
 - Placera inte TV-stativet på en plats där det utsätts för direkt solljus eller i närheten av ett värmeelement.
 - Placera inte TV-stativet på en varm eller fuktig plats, inte heller utomhus.

Notering om användning

Håll TV-stativet rent genom att genom att då och då torka av det med en mjuk, torr duk. Envisa fläckar får du bort genom att använda en mjuk duk lätt fuktad med en mild tvållösning. Torka området ordentligt efteråt med en torr, mjuk trasa. Använd inga kemikalier som t.ex. thinner eller bensin eftersom de kan skada TV-stativets ytbehandling.

För Sony-återförsäljare

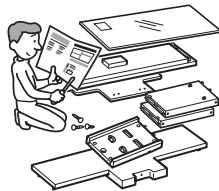
Läs föregående säkerhetsföreskrifter noga och släpp aldrig tanken på säkerhet under installation, underhåll, kontroll eller reparation av den här produkten.

Se till att ni är två eller fler personer som hjälps åt under installationen.

Se till att minst två personer installerar TV-apparaten på TV-stativet. Om du försöker utföra installationen ensam kan det leda till en olycka eller skador. Se till att inte barn finns i närheten när installationen utförs.

Se till att TV-stativet monteras ihop ordentligt genom att följa instruktionerna.

Om en skruv inte skruvas åt ordentligt eller om den ramlar ner kan TV-stativet välta. Detta kan orsaka person- eller egendomsskada.



Var försiktig så att du inte skadar dina händer eller fingrar under monteringen.

Var försiktig så att du inte klämmer dina fingrar eller händer vid montering av TV-stativet och installation av TV-apparaten.

Se till att monteringen av TV-apparaten utförs enligt instruktionerna.

Skruva åt skruvarna ordentligt. Om inte monteringen görs på rätt sätt kan TV-apparaten falla av och orsaka skador.

Steg 1: Kontrollera delarna

Delens namn		Antal
Överdel		1
Bottenplatta		1
Sidostolpe (L)* ¹		1
Sidostolpe (R)* ¹		1
Bakre stolpe		1
Frontpanel		1
Glashylla		1
Skruv (+PWH5 × 25)		a* ⁴ 8
Skruv (+K4 × 20) + Hylsa		b* ⁴ 2
Spärrlåsskruv		c* ⁴ 4
Skruv (+P4 × 15)		d* ⁴ 4
Ankarbult		e* ⁴ 2
Skruvkåpa		f* ⁴ 3
Stödrem		g* ⁴ 1
Skruv (M6 × 18)		
Träskruv (M3,8 × 20)		
Högtalarkrok (L)		1
Högtalarkrok (R)		1
Pappersmall		4* ² 3* ³
Tejp		1

*¹ Illustrationerna ovan är för SU-FL300M. De skiljer sig från SU-FL300L. För SU-FL300L finns två utskurna delar på sidan av sidostolpen.

*² Fyra pappersmallar medföljer SU-FL300M.

*³ Tre pappersmallar medföljer SU-FL300L.

*⁴ Påsarna är märkta i bokstavsordning.

Innan du påbörjar monteringen bör du se till att du ha en Phillips-skruvmejsel som passar till de skruvar som anges ovan.

Steg 2: Montera TV-stativet

VARNING!

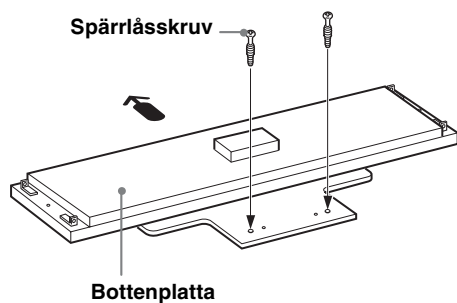
Om nätkabeln kläms under utrustningen eller mellan delar av utrustningen kan det leda till kortslutning eller elstötar. Om du snubblar på nätkabeln eller anslutningskabeln kan TV-stativet välta och orsaka skador.

Bestäm var TV-stativet ska stå och lägg det ned innan du monterar TV-apparaten.

Eftersom TV-apparaten är väldigt tung rekommenderar vi att du först bestämmer var den ska stå och sedan monterar TV-stativet på plats.

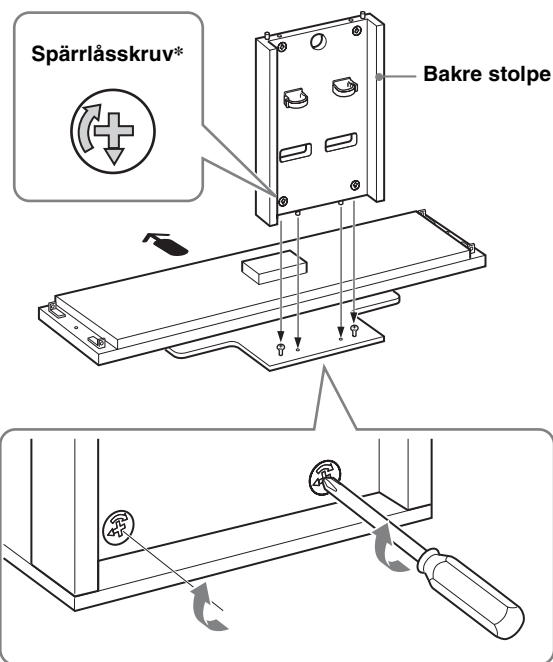
1 Montera den bakre stolpen på bottenplattan.

- 1 Dra åt de två medföljande spärrlåsskruvarna i bottenplattan.



← Pilens riktning visar TV-stativets framsida.

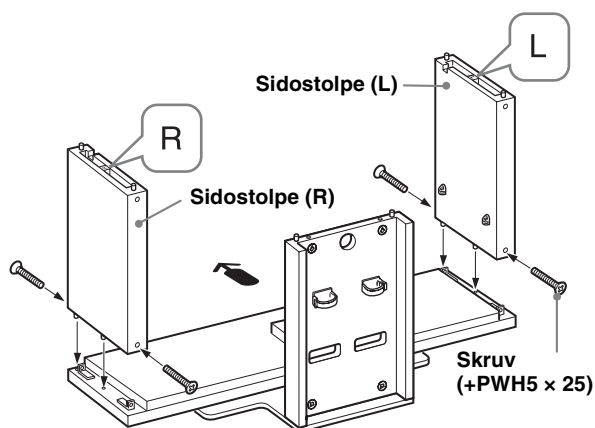
- 2 Montera den bakre stolpen på bottenplattan och säkra de två spärrlåsskruvarna med en skruvmejsel.



* Innan du monterar den bakre stolpen kontrollerar du att ▽-markeringarna är riktade nedåt.

2 Montera sidostolparna på bottenplattan.

Säkra sidostolparna och bottenplattan med de fyra medföljande skruvarna (+PWH5 × 25).

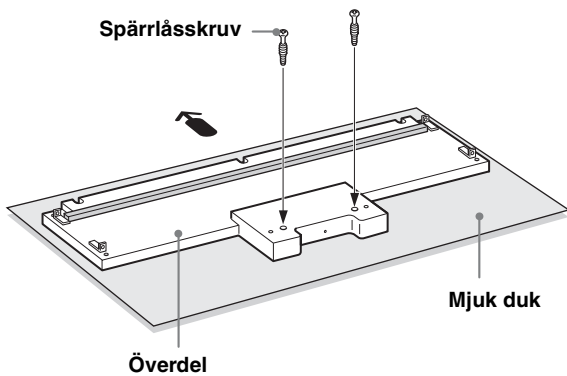


Obs!

Det finns skillnader mellan den vänstra och den högra stolpen. Se till att montera varje stolpe på rätt sida.

3 Montera överdelen.

- 1 Dra åt de två medföljande spärrlåsskruvarna i överdelen.

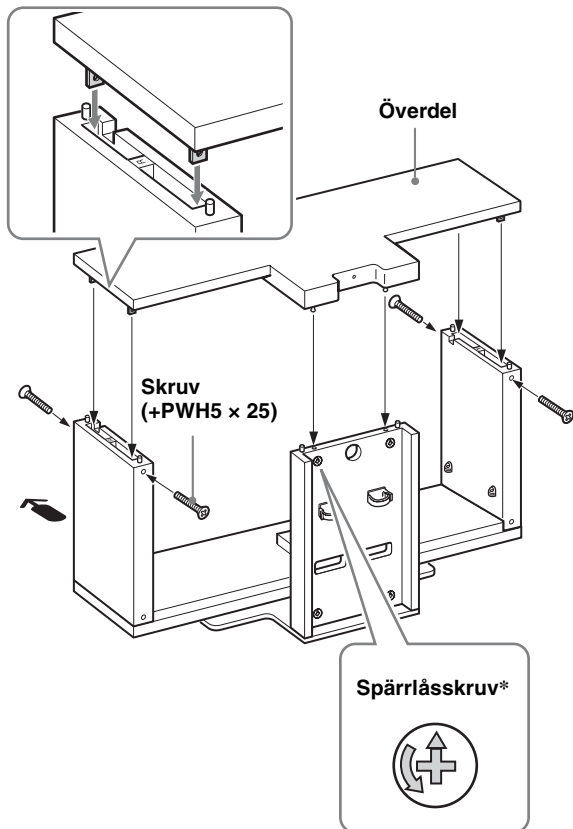


I illustrationen ovan används SU-FL300M som exempel. För SU-FL300L finns två förstärkningsstag på överdelen.

Obs!

För att förhindra skada på överdelens glatta yta måste du rengöra den och placera en mjuk trasa på arbetsytan.

- 2 Rikta in och montera fäststöden i sidostolparna på båda sidor om överdelen.
- 3 Säkra sidostolparna med de fyra medföljande skruvarna (+PWH5 × 25). Säkra sedan de två återstående spärrlåsskruvarna på den bakre stolpens baksida.



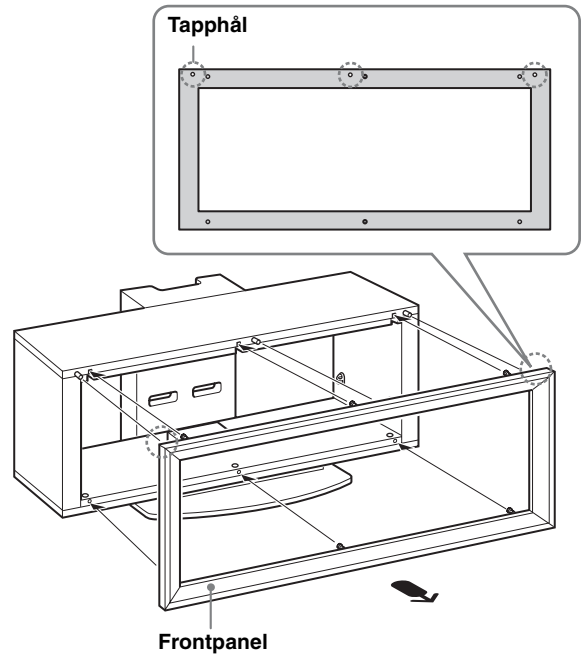
* Innan du monterar överdelen kontrollerar du att Δ -markeringen är riktad uppåt.

Obs!

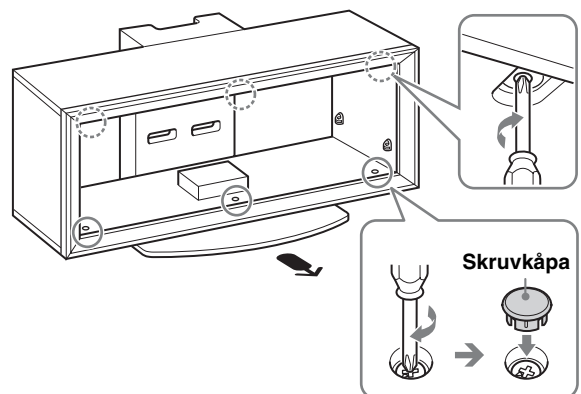
Var försiktig så att du inte klämmer fingrarna när du monterar överdelen.

4 Montera frontpanelen på TV-stativet.

- 1 Passa in de tre tapparna på TV-stativet med de tre hålen på frontpanelen.



- 2 Vrid de sex spärrlåsskruvarna på överdelen och bottenplattan medurs för att låsa fast frontpanelen. Fäst sedan de tre medföljande skruvkåporna i de tre undre skruvarna.



Obs!

Var noga med att montera frontpanelen i rätt riktning.

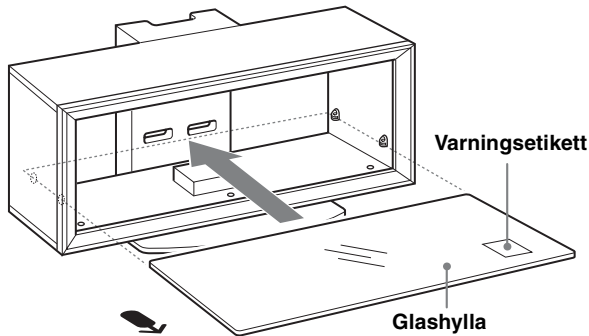
(Fortsättning)

7 (SE)

5 Montera glashyllan.

Om du kopplar ett hemmabiosystem till stativet, monterar du först högtalarkrokarna. (Se ”Installera centerhögtalaren (endast för hemmabiosystem)” på sidan 12.)

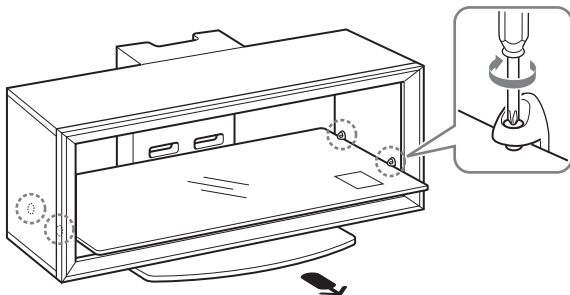
- 1 Skjut in glashyllan helt tills den kommer i kontakt med den bakre stolpen.



Obs!

Montera glashyllan på TV-stativet med varningsetiketten framåt till höger enligt illustrationen.

- 2 Dra åt de fyra skruvarna på sidostolparna för att fästa glashyllan vid TV-stativet ordentligt.



Steg 3: Förbered installationen av TV-apparaten

1 Montera hylsorna på överdelen.

Fäst hylsorna med medföljande skruvar (+K4 × 20).

För modeller som inte anges på sidan 2:

Använd de främre hålen.

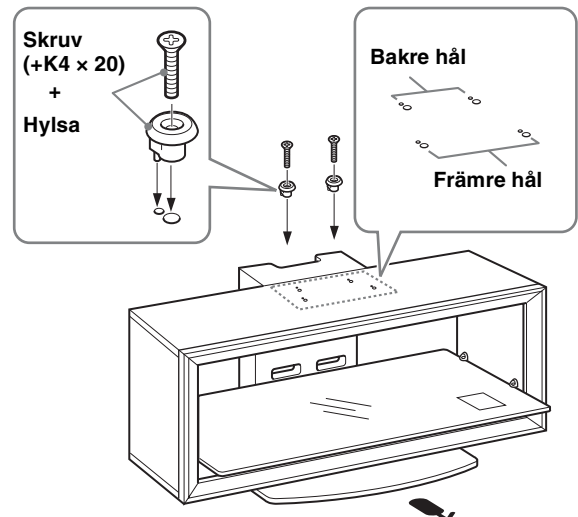
För modeller som anges på sidan 2:

Använd de bakre hålen för* snurrstativ och de främre hålen för övriga modeller.

Obs!

Kontrollera TV:ns bruksanvisning för information om huruvida den kan vridas.

* Med vridfunktionen kan du justera TV:ns betraktningvinkel (åt vänster eller höger).



2 Sätt fast den medföljande pappersmallen på överdelen.

- 1 Välj medföljande pappersmall och rikta in kanten vid det högra hörnet på pappersmallen mot det högra hörnet på överdelen.

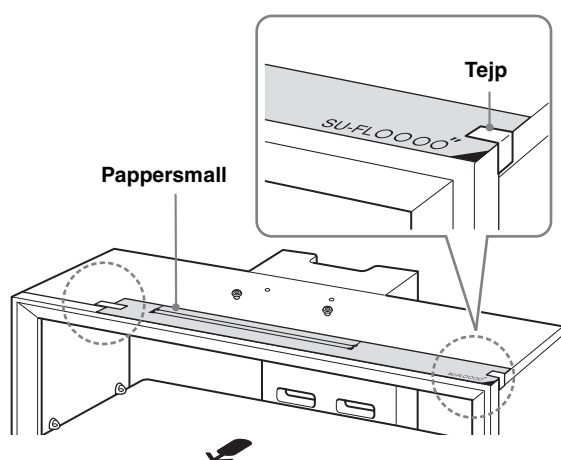
För modeller som inte anges på sidan 2:

Se det häfte som levererades tillsammans med din TV för att välja den pappersmall som överensstämmer med din TV.

För modeller som anges på sidan 2:

Välj den pappersmall i svart tryck som överensstämmer med storleken på din TV.

- 2 Tejpa pappersmallen på överdelen med den medföljande tejp.

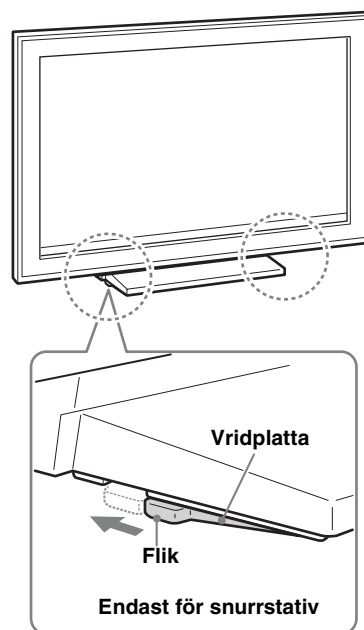


Steg 4: Installera TV:n

Montera din TV på bordsstativet om du inte redan gjort det. Följ del 1 av förfarandet i steg 4 för de snurrstativ som anges på sid 2.

1 Justera vridplattans läge till mitten (Endast för snurrstativ).

Innan du monterar TV:n passar du in fliken på vridplattan med skåran i bordsstativet.



VARNING!

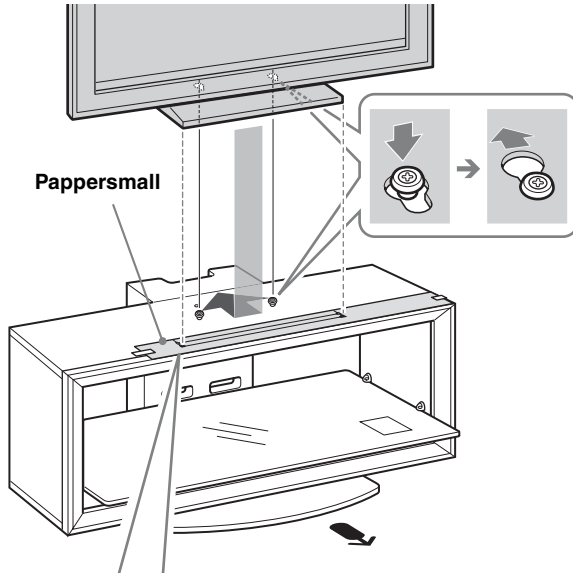
Om vridplattan inte är rätt justeras blir inte TV:n rätt monterad och riskerar att falla.

(Fortsättning)

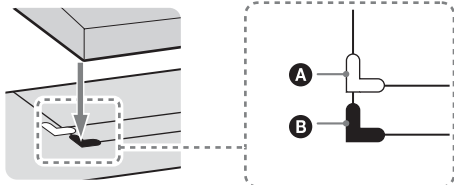
9 (SE)

2 Montera TV:n på TV-stativet.

- 1 Rikta in bordsstativets yttre kant mot TV-skärmens yttre kant och pappersmallens hörnmarkeringar så att hålen på bordsstativet undersida ligger i linje med de hylsor som monterades i del 1 av steg 3.
- 2 Skjut tillbaka TV:n för att låsa den på plats.
- 3 Ta bort pappersmallen från den övre delen.



Endast för de snurrstativ som anges på sidan 2:



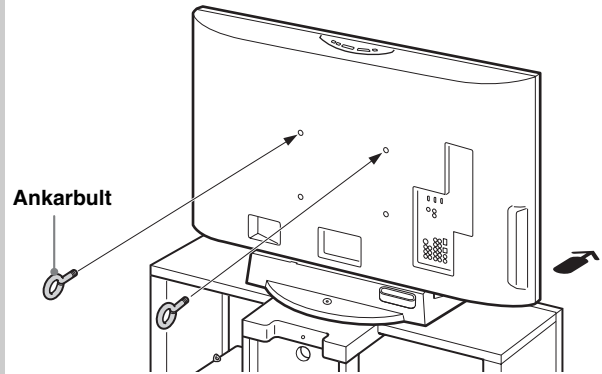
- A Den vita hörnmarkeringen är för snurrstativ.
- B Den svarta hörnmarkeringen är för övriga modeller.

Obs!

Användare som har en 37/40-tums TV riktar in bordsstativet mot den svarta hörnmarkeringen, oavsett om det är ett snurrstativ eller inte. (Det finns ingen vit hörnmarkering på pappersmallen för 37/40 tum.)

3 Montera ankarbultarna.

Säkra de två medföljande ankarbultarna på TV:ns baksida.



Obs!

Om de två ankarbultarna inte används för att fästa TV-apparaten kan den falla i golvet och orsaka skada.

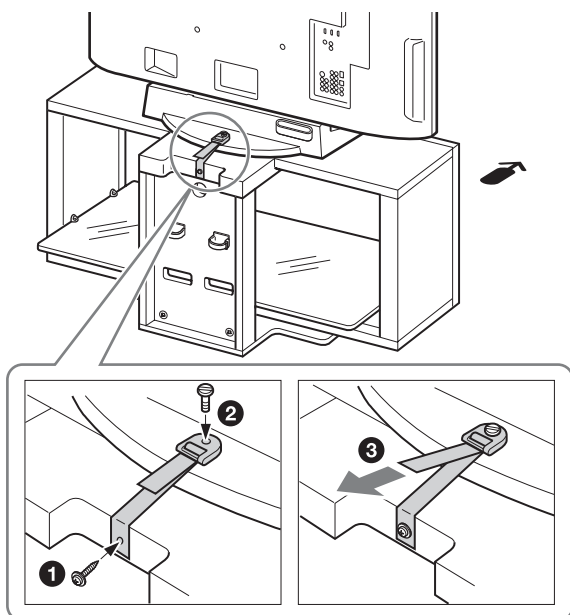
Steg 5: Säkerhetsåtgärder för att förhindra att TV- stativet välter

VARNING!

Se till att vidta försiktighetsåtgärder för att förhindra att TV-stativet välter och orsakar skador eller faror.

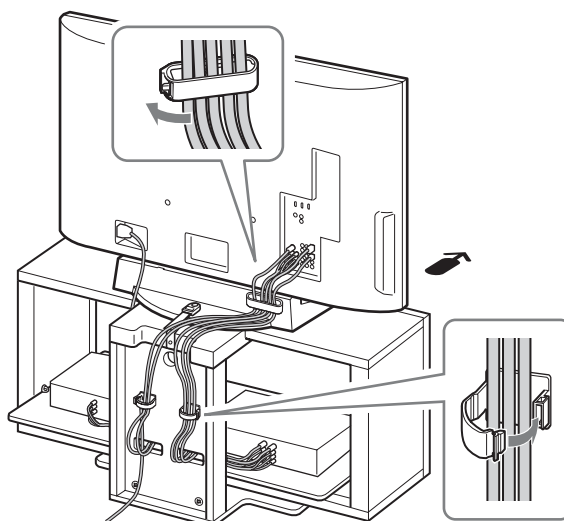
1 Montera stödremmen.

- 1 Säkra fast stödremmen i TV-stativet med den medföljande träskruven med hjälp av en skruvmejsel.
- 2 Fäst stödremmen till bordsstativet och säkra sedan med medföljande spärrlåsskruv med hjälp av ett mynt etc.
- 3 Justera längden genom att dra åt stödremmen medan du håller i bordsstativet.



2 Anslut kablarna.

Led kablarna genom kabelhållarna och de bakre stolparnas hål.



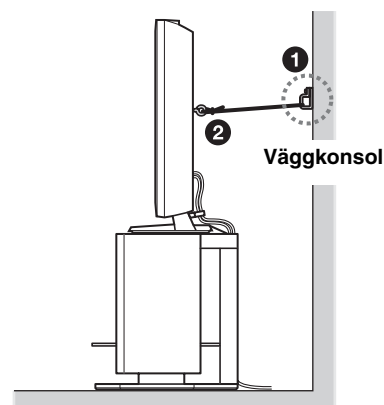
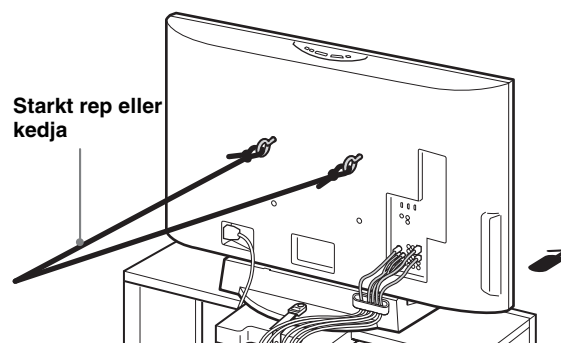
Obs!

Om kablarna inte installeras på rätt sätt kan de klämmas och skadas, vilket kan leda till elstötar och liknande.

3 Förankra TV:n i väggen.

Gör i förväg i ordning ett starkt rep eller en kedja och en väggkonsol som finns ute i handeln.

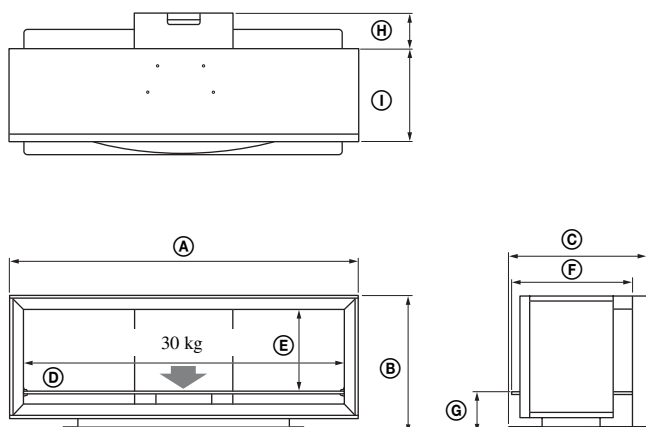
- 1 Fäst väggkonsolen i en stabil vägg.
- 2 Dra repet eller kedjan genom ankarbultarnas båda hål och fäst sedan reps eller kedjans andra ände i väggkonsolen.



(Fortsättning)

11 (SE)

Specifikationer



Notering om lastkapacitet

Ställ ingen utrustning på glashyllan som är tyngre än angiven max.vikt. Den kan gå sönder och orsaka skador.

		SU-FL300M	SU-FL300L
Mått: mm	Ⓐ	1 035	1 280
	Ⓑ	503	503
	Ⓒ	485	518
	Ⓓ	895	1 140
	Ⓔ	303	303
	Ⓕ	418	468
	Ⓖ	146	146
	Ⓗ	120	130
	Ⓘ	272	340
Vikt:		35 kg	52 kg

Utförande och specifikationer kan ändras utan föregående meddelande.

Installera centerhögtalaren (endast för hemmabiosystem)

Centerhögtalaren, modell SS-CT71/CNP2200 är avsedd för följande hemmabioanläggningar:

DAV-HDX665	HT-SF2000
DAV-HDX466	HT-SF1200
DAV-HDX465	HT-SF1100
DAV-HDX267W	DAV-DZ750K
DAV-HDX266	DAV-DZ630
DAV-HDX265	DAV-DZ556KB
DAV-HDZ235	DAV-DZ555K
	DAV-DZ555M
	DAV-DZ530
	DAV-DZ250KW
	DAV-DZ250K
	DAV-DZ250M
	DAV-DZ231
	DAV-DZ230
	DAV-DZ151KB
	DAV-DZ150K

Centerhögtalaren, modell SS-CT72/CT74 är avsedd för följande hemmabioanläggningar:

DAV-HDX900W	DAV-DZ1000
DAV-HDX501W	DAV-DZ850KW
DAV-HDX500	DAV-DZ850M
	DAV-DZ830W
	DAV-DZ531W

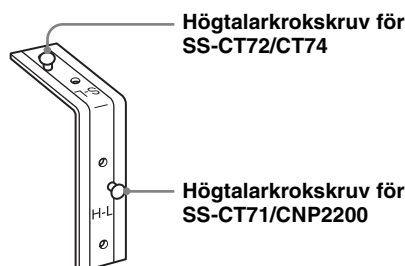
Obs!

- Produkterna ovan kan ändras utan föregående meddelande, vara slut på lager eller inte tillverkas längre.
- Vissa modeller är kanske inte tillgängliga i vissa regioner.

Innan du monterar högtalarekroken:

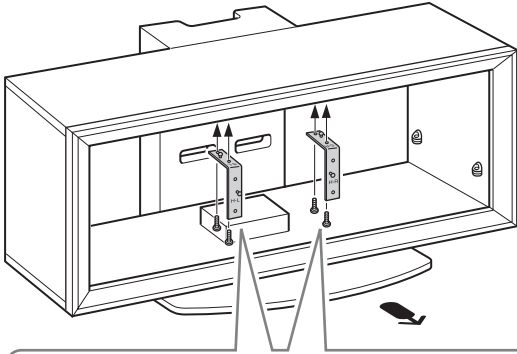
För SS-CT71/CNP2200, ska H-L/H-R-markeringarna vara riktade framåt. (H-L är för vänster sida, H-R för höger sida.)

För SS-CT72/CT74, ska S-L/S-R-markeringarna vara riktade framåt. (S-L är för vänster sida, S-R för höger sida.)

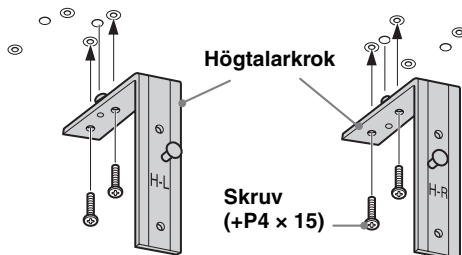


1 Montera högtalarkroken.

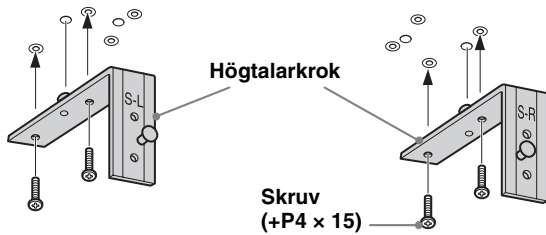
Säkra varje högtalarkrok med de medföljande skruvarna (+P4 × 15) (två skruvar vardera för vänster/höger) till undersidan på överdelen.



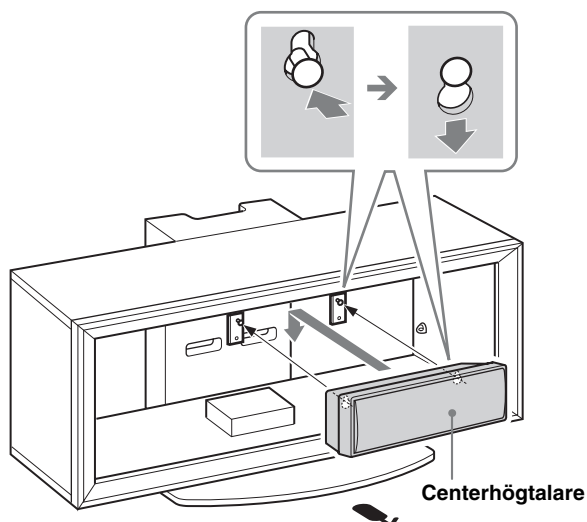
Centerhögtalare: SS-CT71/CNP2200



Centerhögtalare: SS-CT72/CT74



2 Häng centerhögtalaren på krockens skruvar enligt bilden.



Kiitos, että olet hankkinut tämän tuotteen.

Asiakkaille

Tämän tuotteen saa asentaa vain asiantunteva Sony-huolto, sillä asennus edellyttää vähintään kahta henkilöä, erityistä varovaisuutta, turvallisuuden huomioon ottamista ja oikeaa tekniikkaa.

VAARA

Jos turvaohjeita ei noudateta tai tuotetta käytetään väärin, seurauksena voi olla vakava vammautuminen tai tulipalo.

Tässä käyttöohjeessa on esitetty tuotteen oikea käyttö ja tärkeät varoimet, joita noudattamalla voit välttää vahingot. Lue tämä käyttöohje kokonaan ja varmista, että käytät tuotetta oikein. Säilytä tämä käyttöohje myöhempää ohjeiden tarvetta varten.

Sony-jälleenmyyjille

Television asentamisessa tarvitaan vähintään kaksi henkilöä, erityistä huolellisuutta ja oikeaa tekniikkaa. Kun asennat televisiota, lue tämä käyttöohje huolellisesti. Sony ei ole vastuussa onnettomuuksista tai vahingoista, jotka aiheutuvat tuotteen väärästä asennuksesta tai käsittelystä. Anna tämä käyttöohje asiakkaalle asennuksen jälkeen.

Turvallisuus

Sony-tuotteet on suunniteltu turvallisiksi. Virheellinen käyttö voi kuitenkin aiheuttaa tulipalon tai sähköiskun tai ne voivat kaatua tai pudota ja siten aiheuttaa vakavan vamman. Noudata turvallisuusvaroituksia, jotta vältät tällaiset vahingot.

VAROITUS

Kohdetuotteet

Seuraavia tuotteita saatetaan muuttaa asiasta erikseen ilmoittamatta. Tietyt mallit voivat olla tilapäisesti lopussa, niiden valmistus voi olla keskeytetty, tai niitä ei ole saatavilla joillakin alueilla.

	LCD-väritelevisio	
SU-FL300M	KDL-46W3500	KDL-40D2600
	KDL-46W3100	KLV-40W300A
	KDL-46W3000	KLV-40V300A
	KDL-46V3100	KLV-40D300A
	KDL-46V3000	KDL-37S3100
	KDL-46VL130	KLV-37S310A
	KDL-46S3000	KDL-32XBR4
	KDL-46D3550	KDL-32V3100
	KDL-46D3500	KDL-32T3000
	KDL-46D3100	KDL-32T2800
	KDL-46D3010	KDL-32T2600
	KDL-46D3000	KDL-32S3100
	KLV-46W300A	KDL-32S3000
	KLV-46V300A	KDL-32SL130
	KLV-46D300A	KDL-32D3100
	KDL-40W3500	KDL-32D3010
	KDL-40W3100	KDL-32D3000
	KDL-40W3000	KDL-32D2810
	KDL-40V3100	KDL-32D2710
	KDL-40V3000	KDL-32D2600
	KDL-40VL130	KLV-32V300A
	KDL-40T3000	KLV-32S310A
	KDL-40T2800	KLV-32D300A
	KDL-40T2600	
	KDL-40S3000	
	KDL-40SL130	
	KDL-40D3550	
KDL-40D3500		
KDL-40D3100		
KDL-40D3010		
KDL-40D3000		
KDL-40D2810		
KDL-40D2710		
SU-FL300L	KDL-52W3000	
	KDL-52WL130	
	KDL-46W3000	
	KDL-46V3000	
	KDL-46VL130	
	KDL-46S3000	

Tämä televisiojalusta on tarkoitettu käytettäväksi vain edellä mainittujen tuotteiden kanssa. Jos kyseessä on jokin muu televisio, katso sen käyttöohjeesta, voiko tätä televisiojalustaa käyttää.

Joidenkin televisioitten mukana tulee lehtinen, jossa kerrotaan, miten televisiojalusta asennetaan.

VAARA

Jos seuraavia varotoimia ei noudateta, seurauksena voi olla vakava vamma tai hengenvaara tulipalon tai sähköiskun tai tuotteen kaatumisen vuoksi.

Tuotteen saa asentaa vain asiantunteva Sony-huolto.

Televisio ja televisiojalusta ovat hyvin raskaita; jos asiantuntevaton henkilö suorittaa asennuksen, seurauksena voi olla vakava vamma.

Varmista, ettei televisiojalusta pääse kaatumaan.

Muutoin televisio voi kaatua ja aiheuttaa vamman. Ankkuroi televisio seinään tms., jotta se ei pääse kaatumaan.

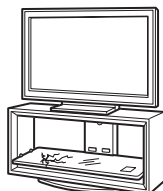
Varmista, että asennat televisiojalustan tukevalle ja suoralle lattialle.

Asenna televisiojalusta niin, ettei se kallistu mihinkään suuntaan. Muutoin televisiojalusta voi kaatua tai televisio pudota. Tästä voi olla seurauksena vamma tai vahinko. Jos asennat televisiojalustan pehmeälle pinnalle, esimerkiksi matolle, aseta asennuskohtaan ensin sopiva levy.

Älä käytä murtunutta televisiojalustaa.

Älä käytä televisiojalustaa, jos siinä on murtumia. Lasi voi mennä rikki, jolloin televisio voi kaatua, mistä voi seurata vakava vamma tai vahinko.

Murtunut televisiojalusta



Älä nojaa televisioon äläkä roiku siitä.

Televisiojalusta voi kaatua tai televisio pudota ja aiheuttaa vakavan vamman tai hengenvaaran.



Älä anna lasten kiivetä televisiojalustalle tai ryömiä hyllyjen väliin.

Jos lapsi kiipeää televisiojalustalle tai menee hyllyjen väliin, seurauksena voi olla vakava vamma tai hengenvaara lasin särkymisen tai televisiojalustan ja television kaatumisen vuoksi.



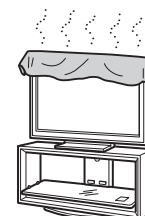
Älä astu televisiojalustan päälle.

Voit kaatua tai rikkoa lasin, jolloin seurauksena voi olla vamma.



Älä peitä television tuuletusaukkoja.

Jos peität tuuletusaukot (esimerkiksi liinalla), laitteen sisäosat voivat kuumentua ja aiheuttaa tulipalon.



Varmista, ettei verkkovirtajohto tai liitäntäkaapeli jää puristuksiin.

- Varmista, ettei verkkovirtajohto tai liitäntäkaapeli jää puristuksiin, kun asennat television televisiojalustaan. Jos verkkovirtajohto tai liitäntäkaapeli vahingoittuu, seurauksena voi olla tulipalo tai sähköisku.
- Varo astumasta verkkovirtajohdon tai liitäntäkaapelin päälle, kun kannat televisiojalustaa. Muutoin verkkovirtajohto tai liitäntäkaapeli voi vahingoittua ja aiheuttaa tulipalon tai sähköiskun.



Älä siirrä televisiojalustaa, kun siihen on kiinnitetty televisio tai kun sen sisällä on kytkettyjä laitteita.

Jos siirät televisiojalustaa, kun siihen on kiinnitetty televisio, voit satuttaa selkäsi tai televisiojalusta voi kaatua ja aiheuttaa vakavan vamman. Mahdolliset kytketyt laitteet voivat myös pudota, jolloin lasihylly voi rikkoutua tai seurauksena voi olla muita omaisuusvahinkoja.



VAROITUS

Jos seuraavassa olevia varotoimia ei noudateta, on olemassa vammautumisen tai omaisuusvahingon vaara.

Tähän televisiojalustaan saa asentaa vain mainitun kohdetuotteen.

- Tämä televisiojalusta on tarkoitettu käytettäväksi vain mainittujen kohdetuotteiden kanssa. Jos asennat muun laitteen kuin mainitun kohdetuotteen, tuote voi pudota tai rikkoutua ja aiheuttaa vamman.
- Älä aseta televisiojalustalle siihen kuulumattomia esineitä, kuten maljakkoja tai ruukkuja.
- Älä tee televisiojalustaan muutoksia.
- Älä aseta televisiojalustan päälle kuumia esineitä. Kuumuus voi vahingoittaa televisiojalustan pintaa.
- Älä aseta televisiojalustalle mitään, mikä voi vahingoittaa lasia.

Kiinnitä televisio hyvin.

Kiinnitä televisio televisiojalustaan tähän tarkoitukseen varatuilla ankkurointikiinnittimillä. Jos televisiota ei kiinnitetä hyvin, se voi pudota tai televisiojalusta voi kaatua, mistä voi olla seurauksena vamma.

Älä kohdistasi lasiin painoa äläkä altista sitä iskuille.

Älä paina televisiojalustaa käsilläsi, kun asennat televisiota. Vältä kolhimasta televisiojalustaa kovilla esineillä, kuten ruuvitaltalla. Lasi voi murtua ja aiheuttaa vamman.

Televisiojalustaa kannettaessa

Jos henkilö yrittää yksinään siirtää televisiojalustaa tai jos ohjeita ei noudateta, seurauksena voi olla vamma. Noudata alla olevia ohjeita vammojen välttämiseksi.

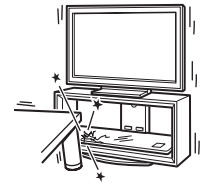
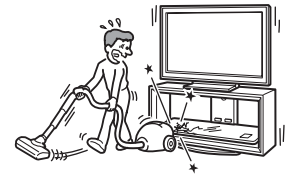
- Televisiojalustan kantamiseen tarvitaan vähintään kaksi ihmistä ja televisiojalustasta on ennen kantamista irrotettava televisio, kytketyt laitteet ja lasihyllyt.
- Älä raahaa televisiojalustaa. Televisiojalustan pohjan osat voivat irrota ja vahingoittaa lattiaa.
- Varo jättämästä käsiäsi tai jalkojasi puristuksiin pohjalevyn alle.
- Älä tartu lasihyllyyn, kun kannat televisiojalustaa.

Suojaa lasi iskuilta.

Tämä televisiojalusta on valmistettu karkaistusta lasista, mutta varovaisuutta on noudatettava.

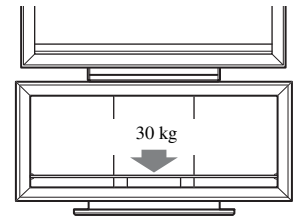
Jos lasi rikkoutuu, lasinsirpaleet voivat aiheuttaa vammoja, joten noudata seuraavia varotoimia.

- Älä lyö lasia äläkä pudota lasille teräviä esineitä. Suojaa lasi iskuilta.
- Älä naarmuta tai painele lasia terävillä esineillä.
- Vältä kolhimasta lasin reunoja kovilla esineillä, kuten pölynimurilla.



Huomautus kantokyvystä

Älä aseta hyllyille mitään esineitä, joiden paino ylittää kuvissa esitetyt kunkin hyllyn kantokyvyn enimmäisarajat. Muutoin hyllyt voivat särkyä.



Asennusta koskevia huomautuksia

- Kun kokoat televisiojalustaa, aseta pakkausmateriaalit lattialle, jotta lattia ei vahingoittuisi.
- Asenna televisiojalusta tukevalle ja suoralle lattialle. Varmista, ettei televisiojalustaa asenneta vinoon tai kallistuneeseen asentoon. Tämän välttämiseksi noudata seuraavia ohjeita.
 - Älä asenna televisiojalustaa lämmityslaitteen lähelle tai paikkaan, jossa se on alttiina suoralle auringonvalolle.
 - Älä asenna televisiojalustaa kuumaan tai kosteaan paikkaan tai ulos.

Käyttöä koskeva huomautus

Pyyhi televisiojalusta aika ajoin puhtaaksi kuivalla, pehmeällä liinalla. Pinttyneet tahrat voi poistaa pyyhkimällä liinalla, jota on hieman kostutettu laimennetulla pesuaineliuksella. Muista kuivata pyyhityt pinnat jälkeensä kuivalla, pehmeällä liinalla. Älä käytä puhdistuksessa mitään liuottimia, kuten tinneriä tai bensiiniä, sillä ne voivat vahingoittaa televisiojalustan pintaa.

Sony-jälleenmyyjille

Lue edellä kuvatut turvaohjeet huolellisesti ja kiinnitä erityistä huomiota turvallisuuteen tämän tuotteen asennuksen, kunnossapidon, tarkastuksen ja korjauksen aikana.

Varmista, että asennustyöhön osallistuu vähintään kaksi henkilöä.

Varmista, että vähintään kaksi henkilöä asentaa television televisiojalustaan. Jos yksi henkilö suorittaa asennuksen, seurauksena voi olla onnettomuus tai vamma. Pidä lapset poissa asennusalueelta asennuksen aikana.

Kokoa televisiojalusta turvallisesti ohjeiden mukaan.

Jos jotakin ruuvia ei ole kiristetty kunnolla tai se putoaa pois, televisiojalusta voi kaatua. Tästä voi olla seurauksena vahinko tai vamma.



Varo vahingoittamasta käsiäsi tai sormiasi kokoonpanon aikana.

Varo jättämästä sormiasi tai käsiäsi puristuksiin televisiojalustan kokoonpanon ja television asennuksen aikana.

Asenna televisio turvallisesti ohjeiden mukaan.

Kiristä ruuvit. Jos televisiota ei kiinnitetä hyvin, se saattaa pudota ja aiheuttaa vamman.

Vaihe 1: Osien tarkastaminen

Nimi	Määrä
Ylälevy	1
Pohjalevy	1
Sivupylväs (L)* ¹	1
Sivupylväs (R)* ¹	1
Takapylväs	1
Etupaneeli	1
Lasihylly	1
Ruuvi (+PWH5 × 25)	a* ⁴ 8
Ruuvi (+K4 × 20) + holkki	b* ⁴ 2
Lukitusruuvi	c* ⁴ 4
Ruuvi (+P4 × 15)	d* ⁴ 4
Ankkuripultti	e* ⁴ 2
Ruuvin päällinen	f* ⁴ 3
Tukihihna	g* ⁴ 1
Ruuvi (M6 × 18)	
Puuruuvi (M3,8 × 20)	
Kaiutinkoukku (L)	1
Kaiutinkoukku (R)	1
Paperimalli	4* ² 3* ³
Teippi	1

*¹ Yllä olevat kuvat liittyvät malliin SU-FL300M.

SU-FL300L on erilainen. SU-FL300L:n sivupylvään kyljessä on kaksi on kaksi syvennystä.

*² Mallin SU-FL300M mukana toimitetaan neljä paperimallia.

*³ Mallin SU-FL300L mukana toimitetaan kolme paperimallia.

*⁴ Ruuvipussit on merkitty aakkosin.

(jatkuu)

5 (F1)

Varmista, että käytettävissäsi on ruuvien kokoa vastaava ristipääruuvitaltta, ennen kuin aloitat kokoamisen.

Vaihe 2: Televisiojalustan kokoaminen

VAARA

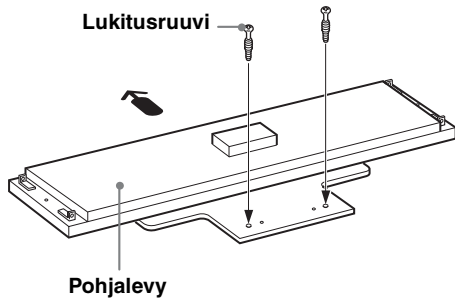
Jos verkkovirtajohto jää osien alle tai väliin, seurauksena voi olla oikosulku tai sähköisku. Jos kompastut verkkovirtajohtoon tai liitântäkaapeliin, televisiojalusta voi kaatua ja aiheuttaa vammaa.

Aseta televisiojalusta television lopulliseen paikkaan, ennen kuin alat asentaa televisiota.

Televisio on painava, joten on tärkeää, että valitset asennuspaikan etukäteen ja kokoat televisiojalustan sijoituspaikassaan.

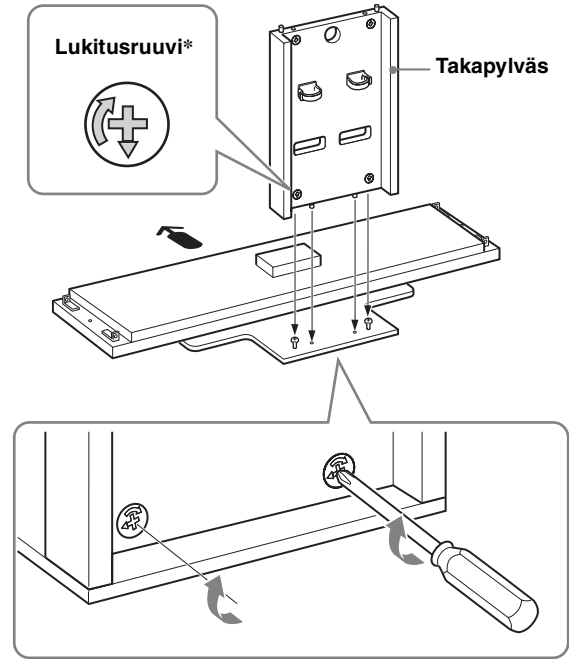
1 Kiinnitä takapylväs pohjalevyyn.

- ❶ Kiristä kaksi mukana tulevaa lukitusruuvia pohjalevyyn.



← Nuoli osoittaa televisiojalustan etupuolelle.

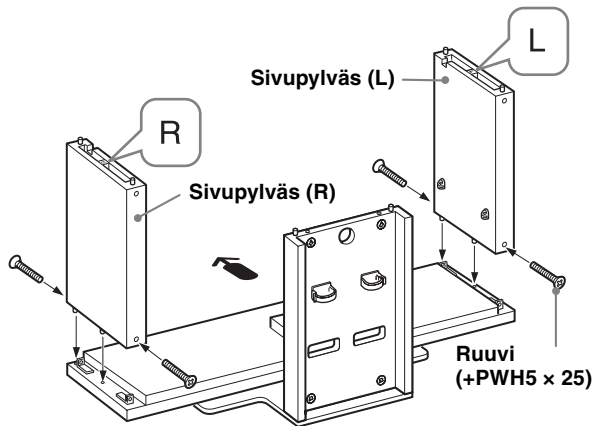
- ❷ Kiinnitä takapylväs pohjalevyyn ja kiristä kaksi lukitusruuvia ruuvitaltan avulla.



* Varmista ennen takapylvään kiinnittämistä, että ▽-merkki osoittaa alaspäin.

2 Kiinnitä sivupylväät pohjalevyyn.

Käytä sivupylväiden ja pohjalevyn kiinnityksessä neljää mukana tulevaa ruuvia (+PWH5 × 25).



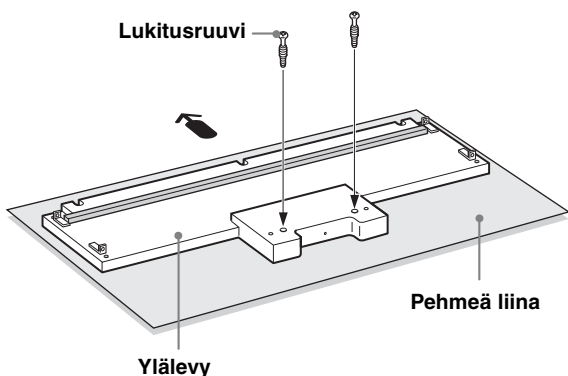
Huomautus

Vasen ja oikea pylväs ovat erilaisia.

Varmista, että asennat oikean pylvään kummallekin puolelle.

3 Kiinnitä ylälevy.

- 1 Kiristä kaksi mukana tulevaa lukitusruuvia ylälevyyn.

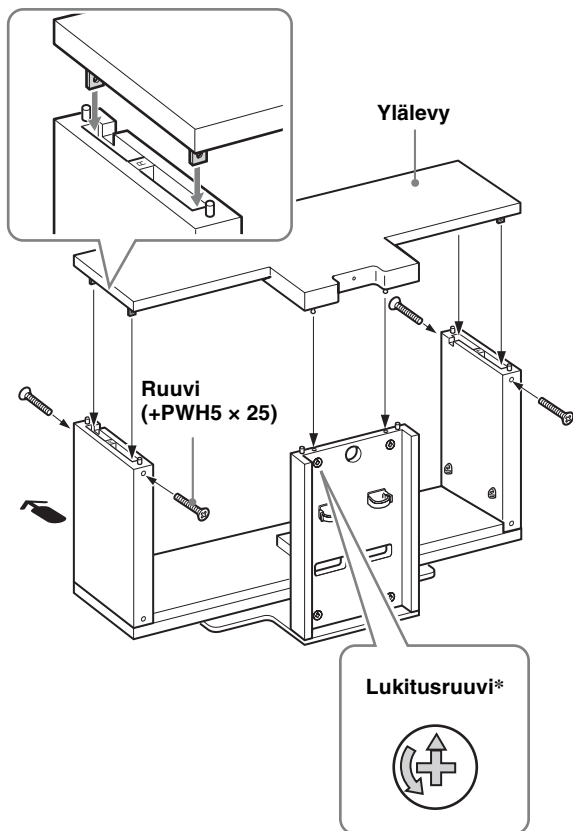


Yllä olevassa kuvassa on käytetty esimerkkinä mallia SU-FL300M. SU-FL300L:n ylälevyssä on kaksi tukitankoa.

Huomautus

Jotta ylälevyn kiiltävä pinta ei vahingoitu, puhdista työtaso ja aseta sille pehmeä liina.

- 2 Kohdista ja aseta ylälevyn kummallakin puolella olevat kiinnittimet sivupylväisiin.
- 3 Käytä sivupylväiden kiinnityksessä neljää mukana tulevaa ruuvia (+PWH5 x 25). Kiinnitä sitten kaksi jäljellä olevaa lukitusruuvia takapylvään takaosaan.



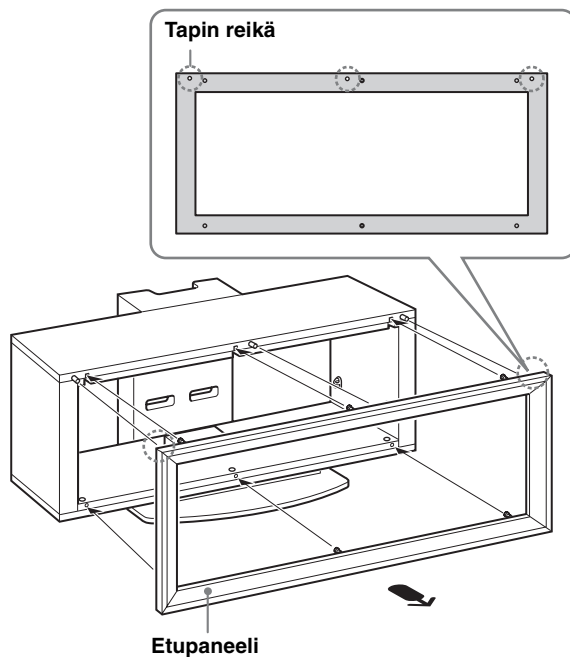
* Varmista, ennen ylälevyn kiinnittämistä, että Δ -merkki osoittaa ylöspäin.

Huomautus

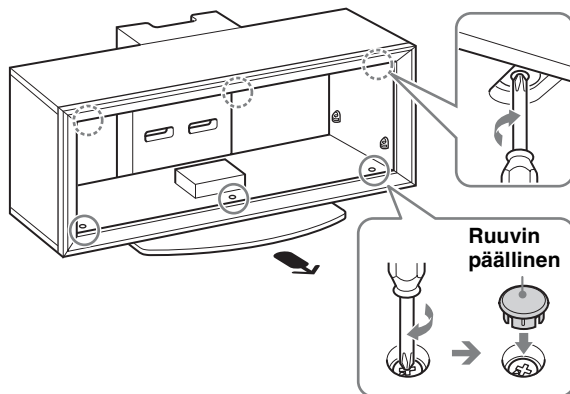
Varo jättämästä sormiasi puristuksiin ylälevyn kiinnityksen aikana.

4 Kiinnitä etupaneeli televisiojalusta.

- 1 Kohdista televisiojalustan kolme tappia etupaneelissa oleviin kolmeen reikään.



- 2 Varmista etupaneelin kiinnitys kääntämällä ylä- ja pohjalevyn kuutta lukitusruuvia myötäpäivään. Aseta sitten kolme mukana tulevaa ruuvin päällistä kolmeen pohjassa olevaan ruuviin.



Huomautus

Aseta etupaneeli oikein päin.

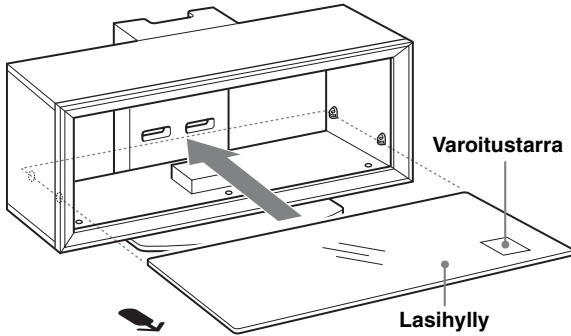
(jatkuu)

7 (FI)

5 Kiinnitä lasihylly.

Jos kiinnität kotiteatterijärjestelmän jalustaan, kiinnitä kaiutinkoukut ensimmäisenä. (Lisätietoja on kohdassa ”Keskikaiuttimien asentaminen (vain kotiteatterijärjestelmät)” sivulla 12.)

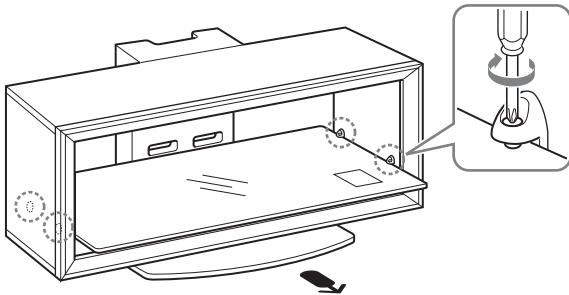
- 1 Työnnä lasihylly kokonaan sisään, kunnes se koskettaa takapylvästä.



Huomautus

Aseta lasihylly televisiojalustaan siten, että varoitustarra näkyy ylöspäin etuoikealla, kuten kuvassa on osoitettu.

- 2 Varmista lasilevyn kiinnitys televisiojalustaan kiristämällä sivupylväiden neljä ruuvia.



Vaihe 3: Valmistautuminen television asennukseen

1 Aseta holkit ylälevyyn.

Kiinnitä holkit mukana tulevien ruuvien (+K4 x 20) kanssa.

Mallit, joita ei ole mainittu sivulla 2:

Käytä etummaisii reikiä.

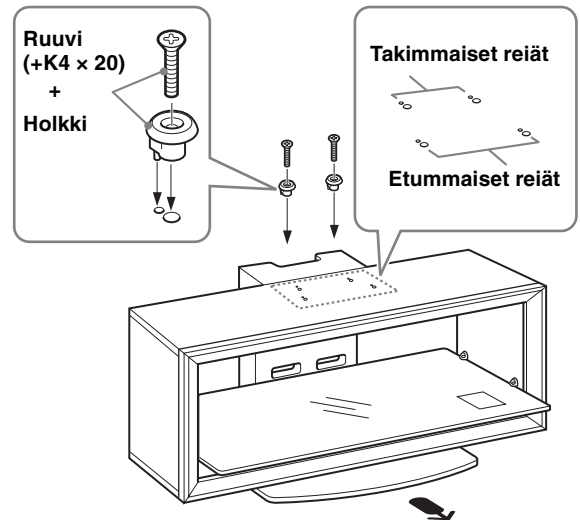
Mallit, jotka on mainittu sivulla 2:

Jos kyseessä on kääntyvä malli*, käytä takimmaisii reikiä, ja jos kyseessä on ei-kääntyvä malli, käytä etummaisii reikiä.

Huomautus

Tarkasta television käyttöohjeista, onko televisio kääntyvä mallia.

* Kääntämismekanismin ansiosta television katselukulmaa voi säätää (vasemmalle ja oikealle).



2 Kiinnitä mukana tuleva paperimalli ylälevylle.

- 1 Sovita mukana toimitetun paperimallin oikea kulma tasaan ylälevyn oikeanpuoleisen kulman kanssa.

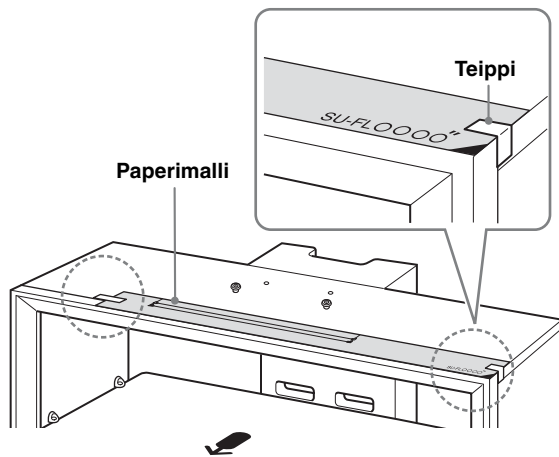
Mallit, joita ei ole mainittu sivulla 2:

Tutustu television mukana toimitettuun ohjeeseen ja valitse televisiotasi varten tarkoitettu paperimalli.

Mallit, jotka on mainittu sivulla 2:

Valitse television kuvaruudun kokoa vastaava paperimalli.

- 2 Kiinnitä paperimalli ylälevyyn mukana tulevan teipin avulla.



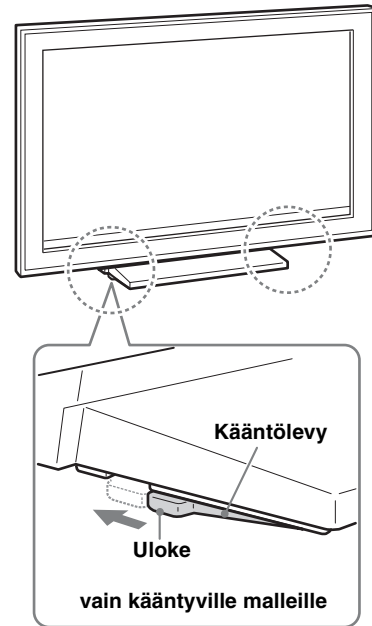
Vaihe 4: Television asentaminen

Kiinnitä televisio pöytätelineeseen, jos sitä ei ole jo kiinnitetty.

Jos käytössä on jokin sivulla 2 määritetyistä kääntyvistä malleista, tee vaiheen 4 kohta 1.

1 Aseta kääntölevy keskelle (vain kääntyville malleille).

Ennen kuin asennat television, kohdista kääntölevyn uloke pöytätelineessä olevaan syvennykseen.

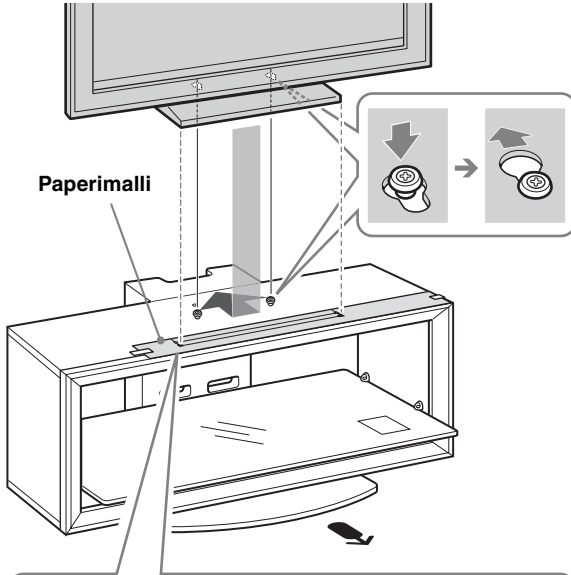


VAARA

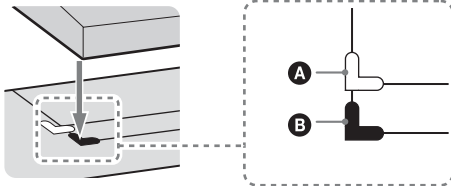
Jos kääntölevyä ei aseteta oikein, television asennus jää vajavaiseksi ja televisio voi pudota.

2 Asenna televisio televisiojalustaan.

- 1 Kohdista pöytäteline television kuvaruudun kokomerkintöjen ja paperimallin kulmamerkintöjen mukaisesti niin, että pöytäjalustan pohjassa oleva reiät osuvat vaiheen 3 kohdassa 1 kiinnitettyihin holkkeihin.
- 2 Lukitse televisio paikalleen työntämällä sitä taaksepäin.
- 3 Poista paperimalli ylälevyltä.



Vain sivulla 2 mainitut kääntyvät mallit:



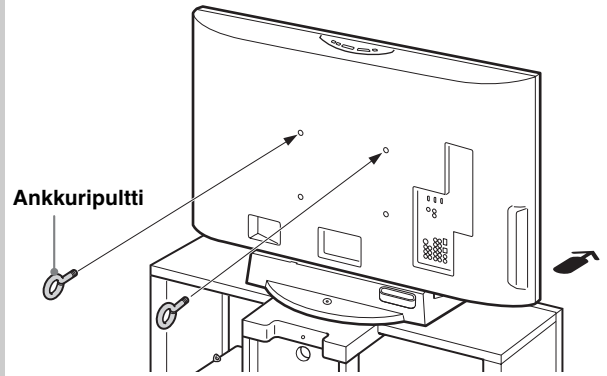
- A Valkoinen kulmamerkki on tarkoitettu kääntyville malleille.
- B Musta kulmamerkki on tarkoitettu ei-kääntyville malleille.

Huomautus

Jos televisio on 37- tai 40-tuumainen, kohdista pöytäteline mustaan kulmamerkkiin riippumatta siitä, onko televisio kääntyvää mallia vai ei. (37- tai 40-tuumaiselle televisiolle ei ole valkoista kulmamerkkiä paperimallissa.)

3 Kiinnitä ankkuripultit.

Kiinnitä kaksi mukana tulevaa ankkuripulttia television takaosaan.



Huomautus

Jos kahta ankkuripulttia ei käytetä television kiinnittämiseen, televisio voi pudota ja aiheuttaa vammaa.

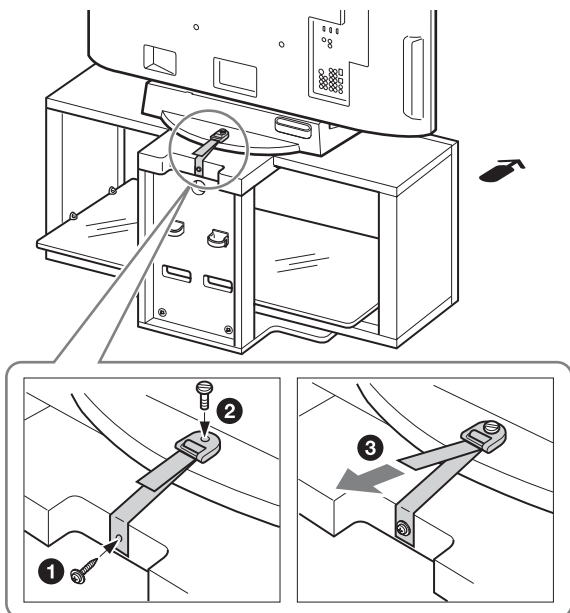
Vaihe 5: Varotoimet kaatumisen estämiseksi

VAARA

Varmista, ettei televisiojalusta pääse kaatumaan, jolloin seurauksena voi olla vamma tai vahinko.

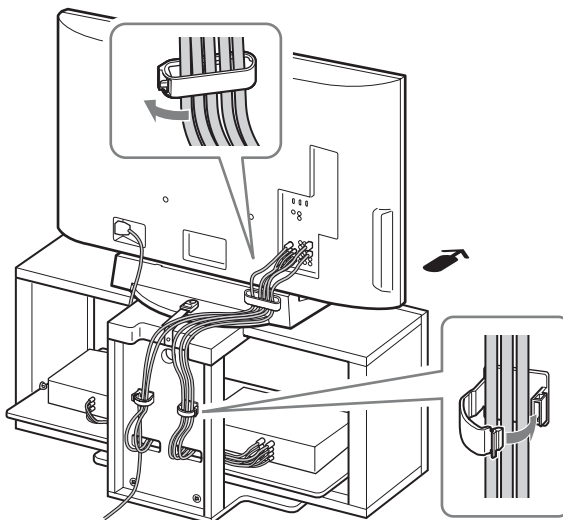
1 Kiinnitä tukihihna.

- 1 Kiinnitä tukihihna televisiojalustaan puuruuvilla ja ruuvitaltalla.
- 2 Kiinnitä tukihihna pöytätelineeseen mukana toimitetulla ruuvilla käyttämällä kolikkoa tms.
- 3 Säädä pituus kiristämällä tukihihnaa samalla, kun pidät kiinni pöytätelineestä.



2 Kytke kaapelit.

Vie kaapelit kaapelipidikkeiden ja takapylvään reikien läpi.



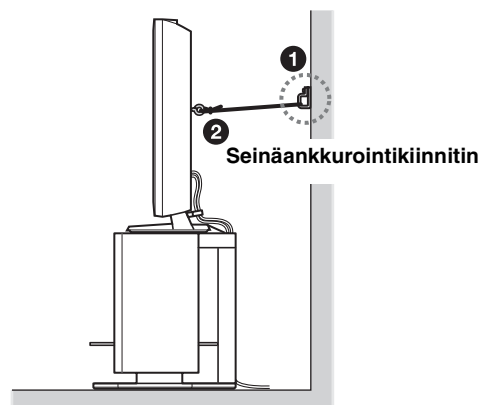
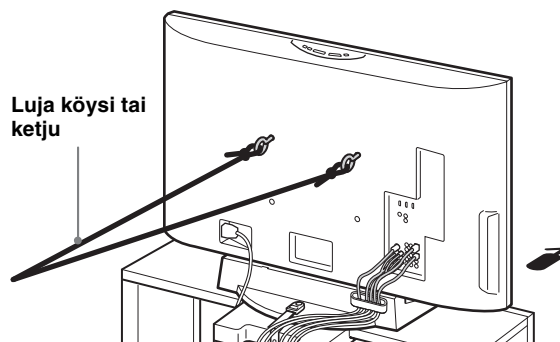
Huomautus

Jos kaapeleita ei asenneta oikein, ne saattavat jäädä puristuksiin ja vahingoittua, mistä voi olla seurauksena sähköisku tms.

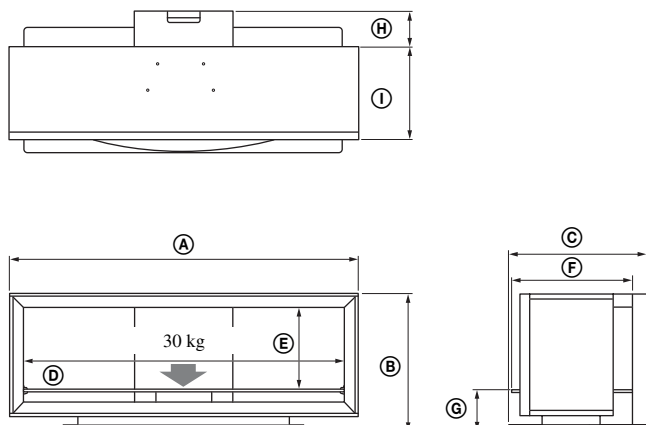
3 Kiinnitä televisio seinään.

Hanki tätä tarkoitusta varten luja köysi tai ketju ja seinäankkurointikiinnitin.

- 1 Kiinnitä seinäankkurointikiinnitin kestäväan seinään.
- 2 Pujota köysi tai ketju kummankin ankkuripultin reiän läpi ja kiristä köyden tai ketjun toinen pää seinäankkurointikiinnittimeen.



Tekniset tiedot



Huomautus kantokyvystä

Älä aseta lasihyllylle laitetta, joka ylittää sen kantokyvyn, koska muuten hylly voi rikkoutua ja aiheuttaa vammaa.

		SU-FL300M	SU-FL300L
Mitat: mm	Ⓐ	1 035	1 280
	Ⓑ	503	503
	Ⓒ	485	518
	Ⓓ	895	1 140
	Ⓔ	303	303
	Ⓕ	418	468
	Ⓖ	146	146
	Ⓗ	120	130
	Ⓘ	272	340
Paino:		35 kg	52 kg

Valmistaja pidättää itsellään oikeuden muuttaa laitteen mallia ja ominaisuuksia asiasta erikseen ilmoittamatta.

Keskikaiuttimen asentaminen (vain kotiteatterijärjestelmät)

Keskikaiutinmalli SS-CT71/CNP2200 on tarkoitettu seuraaviin kotiteatterijärjestelmiin:

DAV-HDX665	HT-SF2000
DAV-HDX466	HT-SF1200
DAV-HDX465	HT-SF1100
DAV-HDX267W	DAV-DZ750K
DAV-HDX266	DAV-DZ630
DAV-HDX265	DAV-DZ556KB
DAV-HDX235	DAV-DZ555K
	DAV-DZ555M
	DAV-DZ530
	DAV-DZ250KW
	DAV-DZ250K
	DAV-DZ250M
	DAV-DZ231
	DAV-DZ230
	DAV-DZ151KB
	DAV-DZ150K

Keskikaiutinmalli SS-CT72/CT74 on tarkoitettu seuraaviin kotiteatterijärjestelmiin:

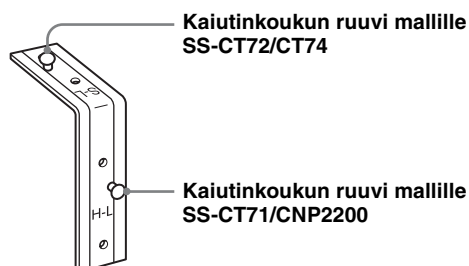
DAV-HDX900W	DAV-DZ1000
DAV-HDX501W	DAV-DZ850KW
DAV-HDX500	DAV-DZ850M
	DAV-DZ830W
	DAV-DZ531W

Huomautuksia

- Yllä mainittuja tuotteita saatetaan muuttaa asiasta erikseen ilmoittamatta, ne voivat olla tilapäisesti lopussa tai niiden valmistus voi olla keskeytetty.
- Tiettyjä malleja ei ole saatavilla tietyillä alueilla.

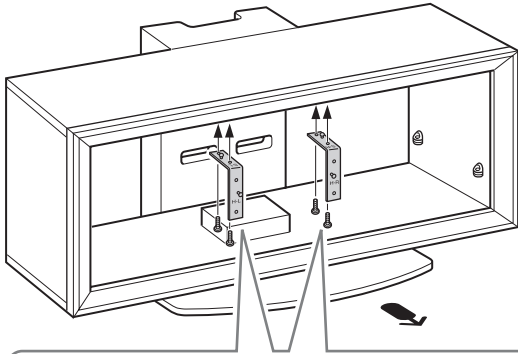
Ennen kaiutinkoukun kiinnittämistä:

SS-CT71/CNP2200:n H-L/H-R-merkintöjen on osoitettava eteenpäin. (H-L on tarkoitettu vasemmalle puolelle, H-R on tarkoitettu oikealle puolelle.)
SS-CT72/CT74:n S-L/S-R-merkintöjen on osoitettava eteenpäin. (S-L on tarkoitettu vasemmalle puolelle, S-R on tarkoitettu oikealle puolelle.)

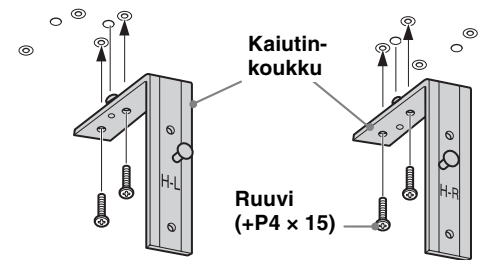


1 Kiinnitä kaiutinkoukku.

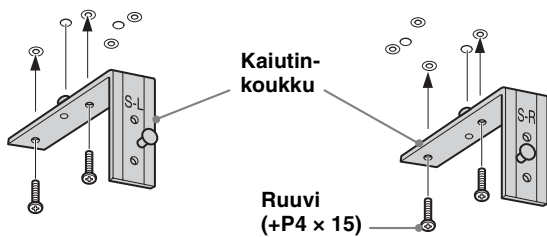
Kiinnitä kumpikin kaiutinkoukku mukana tulevien ruuvien (+P4 × 15) (kaksi ruuvia vasemmalle ja oikealle) avulla ylälevyn alapuolelle.



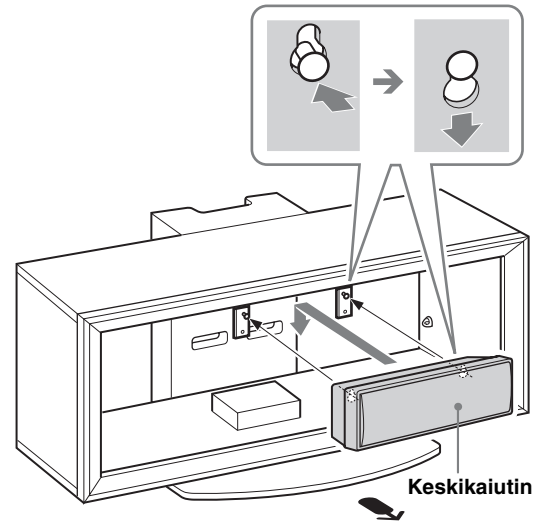
Keskikaiutin: SS-CT71/CNP2200



Keskikaiutin: SS-CT72/CT74



2 Ripusta keskikaiutin koukkujen ruuveihin kuvassa osoitetulla tavalla.



Dank u voor de aankoop van dit product.

Voor klanten

Dit product mag alleen door erkende servicetechnici van Sony worden geïnstalleerd. De installatie moet namelijk worden uitgevoerd door ten minste twee personen en er zijn speciale zorg, veiligheid en kennis vereist voor deze installatie.

WAARSCHUWING

Als er geen rekening wordt gehouden met de veiligheidsmaatregelen of als het product onjuist wordt gebruikt, kan dit ernstig letsel of brand tot gevolg hebben.

In deze gebruiksaanwijzing wordt beschreven hoe het product moet worden gebruikt en worden belangrijke voorzorgsmaatregelen gegeven die zijn vereist om ongelukken te voorkomen. Lees deze gebruiksaanwijzing aandachtig door en gebruik het product op de juiste manier. Bewaar deze gebruiksaanwijzing voor toekomstig gebruik.

Voor Sony-handelaars

Er zijn ten minste twee personen, speciale zorg en kennis vereist voor de installatie van een tv. Lees deze gebruiksaanwijzing aandachtig door tijdens de installatie van een tv. Sony is niet aansprakelijk voor ongelukken of schade als gevolg van onjuist handelen of onjuiste installatie. Geef deze gebruiksaanwijzing aan de klant nadat het product is geïnstalleerd.

Veiligheid

Bij het ontwerpen van producten houdt Sony rekening met de veiligheid. Onjuist gebruik kan ernstig letsel veroorzaken als gevolg van brand, elektrische schokken, omvallen van het product of vallen van het product. Houd rekening met de veiligheidsmaatregelen om dergelijke ongelukken te voorkomen.

LET OP

Opgegeven producten

De volgende producten kunnen worden gewijzigd zonder voorafgaande kennisgeving. Bepaalde modellen kunnen niet meer in voorraad zijn of niet meer worden gemaakt, of niet beschikbaar zijn in bepaalde regio's.

	LCD-kleuren-tv	
SU-FL300M	KDL-46W3500	KDL-40D2600
	KDL-46W3100	KLV-40W300A
	KDL-46W3000	KLV-40V300A
	KDL-46V3100	KLV-40D300A
	KDL-46V3000	KDL-37S3100
	KDL-46VL130	KLV-37S310A
	KDL-46S3000	KDL-32XBR4
	KDL-46D3550	KDL-32V3100
	KDL-46D3500	KDL-32T3000
	KDL-46D3100	KDL-32T2800
	KDL-46D3010	KDL-32T2600
	KDL-46D3000	KDL-32S3100
	KLV-46W300A	KDL-32S3000
	KLV-46V300A	KDL-32SL130
	KLV-46D300A	KDL-32D3100
	KDL-40W3500	KDL-32D3010
	KDL-40W3100	KDL-32D3000
	KDL-40W3000	KDL-32D2810
	KDL-40V3100	KDL-32D2710
	KDL-40V3000	KDL-32D2600
	KDL-40VL130	KLV-32V300A
	KDL-40T3000	KLV-32S310A
	KDL-40T2800	KLV-32D300A
	KDL-40T2600	
	KDL-40S3000	
	KDL-40SL130	
	KDL-40D3550	
KDL-40D3500		
KDL-40D3100		
KDL-40D3010		
KDL-40D3000		
KDL-40D2810		
KDL-40D2710		
SU-FL300L	KDL-52W3000	
	KDL-52WL130	
	KDL-46W3000	
	KDL-46V3000	
	KDL-46VL130	
	KDL-46S3000	

Deze tv-standaard is alleen geschikt voor gebruik met de bovenvermelde producten. Voor andere tv's raadpleegt u hun instructies om na te gaan of deze tv-standaard kan worden gebruikt.

Bepaalde tv's worden geleverd met een informatieveel waarop wordt uitgelegd hoe u de tv-standaard dient te installeren.

WAARSCHUWING

Als er geen rekening wordt gehouden met de volgende voorzorgsmaatregelen, kan dit leiden tot ernstig letsel of de dood als gevolg van brand, elektrische schokken of omvallen van het product.

Producten mogen alleen worden geïnstalleerd door erkende servicetechnici van Sony.

De tv en de tv-standaard zijn erg zwaar; als niet-bevoegde personen de installatie uitvoeren, kan dit ernstig letsel veroorzaken.

Neem voldoende maatregelen om te voorkomen dat de tv-standaard omvalt.

Als u dit niet doet, kan de tv omvallen en letsel veroorzaken. Veranker de tv aan een muur of iets dergelijks om te voorkomen dat deze omvalt.

Installeer de tv-standaard op een stevige, vlakke ondergrond.

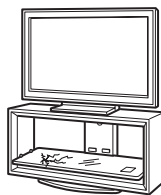
Installeer de tv-standaard niet zodat deze overhelt naar een kant. Als u dit wel doet, kan de tv-standaard omvallen of kan de tv vallen. Dit kan letsel en schade veroorzaken.

Als u de tv-standaard op een zachte ondergrond, zoals een mat of een kleed, plaatst, legt u eerst een plank op de gewenste plaats.

Gebruik geen gebarsten tv-standaard.

Gebruik de tv-standaard niet als deze barsten vertoont. Het glas kan breken en ervoor zorgen dat de tv omvalt, wat ernstig letsel en schade kan veroorzaken.

Gebarsten tv-standaard



Leun niet op en hang niet aan de tv.

De tv-standaard kan omvallen of de tv kan vallen. Dit kan ernstig letsel of de dood tot gevolg hebben.



Laat kinderen niet op de tv-standaard klimmen of tussen de planken kruipen.

Als kinderen op de tv-standaard klimmen of tussen de planken kruipen, kan dit ernstig letsel of de dood tot gevolg hebben als het glas breekt of de tv-standaard of de tv omvalt.



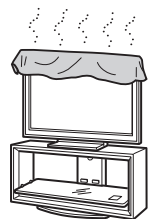
Stap niet op de tv-standaard.

U kunt vallen of het glas kan breken en letsel veroorzaken.



Dek de ventilatieopeningen van de tv niet af.

Als u de ventilatieopeningen afdekt (bijvoorbeeld met een doek) kan de tv oververhit raken. Dit kan brand tot gevolg hebben.



Zorg ervoor dat het netsnoer en de verbindingkabel niet beklemd raken.

- Zorg ervoor dat het netsnoer en de verbindingkabel niet beklemd raken wanneer u de tv op de tv-standaard bevestigt. Als het netsnoer of de verbindingkabel is beschadigd, kan dit brand of elektrische schokken tot gevolg hebben.
- Zorg ervoor dat u niet op het netsnoer of de verbindingkabel gaat staan wanneer u de tv-standaard verplaatst. Het netsnoer of de verbindingkabel kan worden beschadigd. Dit kan brand of elektrische schokken tot gevolg hebben.



Verplaats de tv-standaard niet met de tv eraan bevestigd of wanneer er zich aangesloten apparaten in bevinden.

Als u de tv-standaard verplaatst met de tv eraan bevestigd, kunt u uw rug bezeren of de tv-standaard kan omvallen en ernstige letsels veroorzaken. De aangesloten apparaten die zich binnenin bevinden, kunnen vallen en de glasplaat doen breken of andere onderdelen beschadigen.



LET OP

Als er geen rekening wordt gehouden met de volgende voorzorgsmaatregelen, kan dit letsel of beschadiging van eigendommen tot gevolg hebben.

Plaats geen andere apparaten dan de opgegeven producten op de standaard.

- Deze tv-standaard is alleen geschikt voor gebruik met de opgegeven producten. Als u andere apparaten dan de opgegeven producten plaatst, kunnen deze vallen of breken. Dit kan letsel tot gevolg hebben.
- Plaats geen voorwerpen, zoals vazen, aardewerk, enz. op de tv-standaard.
- Breng geen wijzigingen aan de tv-standaard aan.
- Plaats geen hete voorwerpen op de tv-standaard. Door deze hitte kan de tv-standaard verkleuren of vervormen.
- Plaats geen voorwerpen op de tv-standaard die het glas kunnen beschadigen.

Zorg dat u de tv goed vastzet.

Bevestig de tv op de tv-standaard met de bijgeleverde ankerbevestigingen. Als de tv niet stevig is bevestigd, kan de tv of de tv-standaard vallen en letsel veroorzaken.

Oefen geen druk uit op het glas en stel het niet bloot aan harde schokken.

Oefen geen druk uit op de tv-standaard met uw hand tijdens het installeren van de tv. Sla niet op de tv-standaard met harde voorwerpen, zoals een schroevendraaier. Het glas kan breken en letsel veroorzaken.

De tv-standaard verplaatsen

Als u de tv-standaard alleen probeert te verplaatsen of zonder de juiste procedure te volgen, kan dit letsel veroorzaken. Volg het onderstaande advies om dit te voorkomen.

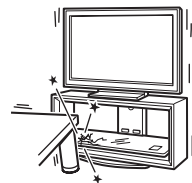
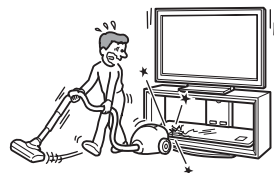
- Zorg ervoor dat twee of meer personen de tv-standaard dragen. Enkel nadat u de tv hebt verplaatst, kunt u de aangesloten apparaten en de glasplaat verplaatsen.
- Sleep de tv-standaard niet over de vloer. De basisonderdelen van de tv-standaard kunnen loskomen en de vloer beschadigen.
- Zorg ervoor dat uw handen of voeten niet beklemd raken onder de bodemplaat.
- Neem de glasplaat niet vast als u de tv-standaard verplaatst.

Stel het glas niet bloot aan schokken.

Deze tv-standaard is gemaakt van getemperd glas, maar u moet toch voorzichtig zijn. Als het glas breekt, kunnen glassplinters letsel veroorzaken.

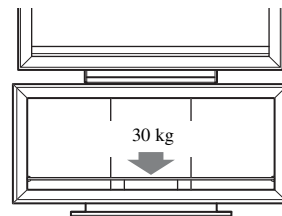
U moet de volgende voorzorgsmaatregelen dus in acht nemen.

- Sla niet tegen het glas en laat geen voorwerpen met scherpe punten op het glas vallen. Vermijd erge schokken.
- Kras niet op het glas en duw niet met scherpe voorwerpen tegen het glas.
- Laat geen harde voorwerpen, zoals een stofzuiger, tegen de randen van het glas stoten.



Opmerking over draagcapaciteit

Plaats geen apparaten op de tv-standaard die het maximale gewicht per plank overschrijden, zoals aangeduid in de afbeelding. Anders kunnen de planken breken.



Opmerkingen over de installatie

- Wanneer u de tv-standaard monteert, leg dan de verpakking op de vloer om beschadiging van de vloer te voorkomen.
- Installeer de tv-standaard op een stevige, vlakke ondergrond. Installeer de tv-standaard niet onder een hoek of schuin. Houd rekening met de volgende voorzorgsmaatregelen om dit te voorkomen.
 - Installeer de tv-standaard niet op een plaats waar deze wordt blootgesteld aan direct zonlicht of in de buurt van de verwarming.
 - Installeer de tv-standaard niet op een hete of vochtige plaats of buiten.

Opmerking over het gebruik

U kunt de tv-standaard schoon houden door deze regelmatig schoon te vegen met een droge, zachte doek. U kunt hardnekkige vlekken verwijderen met een doek die licht is bevochtigd met een mild zeepsopje. Veeg het gebied vervolgens droog met een droge, zachte doek. Gebruik geen chemicaliën, zoals thinner of benzine, omdat deze de afwerking van de tv-standaard kunnen aantasten.

Voor Sony-handelaars

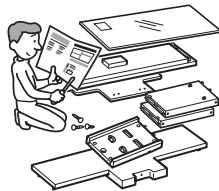
Lees de bovenstaande veiligheidsmaatregelen aandachtig door en houd voldoende rekening met de veiligheid tijdens het installeren, onderhouden, controleren en repareren van dit product.

Ten minste twee personen moeten het installatiewerk uitvoeren.

Ten minste twee personen moeten de tv op de tv-standaard plaatsen. Als één persoon het installatiewerk uitvoert, kan dit een ongeluk of letsel tot gevolg hebben. Houd kinderen uit de buurt tijdens de installatie.

Monteer de tv-standaard volgens de instructies.

Als een schroef niet stevig vastzit of eruit is gevallen, kan de tv-standaard omvallen. Dit kan schade en letsel veroorzaken.



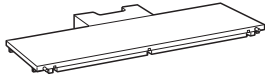
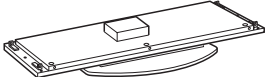
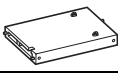
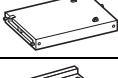
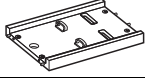
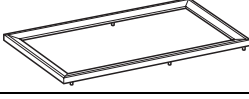

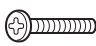
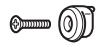
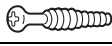
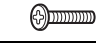


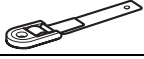
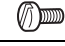
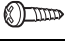
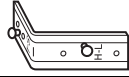
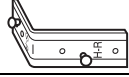
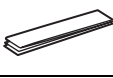
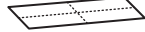
Wees voorzichtig en bekeer uw handen en vingers niet tijdens de montage.

Wees voorzichtig en bekeer uw handen of vingers niet als u de tv op de tv-standaard installeert.

Installeer de tv volgens de instructies.

Draai de schroeven stevig vast. Als de tv niet stevig is bevestigd, kan deze vallen en letsel veroorzaken.

Stap 1: De onderdelen controleren

Naam		Aantal	
Bovenplaat		1	
Bodemplaat		1	
Zijstaander (L)*1		1	
Zijstaander (R)*1		1	
Achterstaander		1	
Voorpaneel		1	
Glasplaat		1	
Schroef (+PWH5 × 25)		a*4	8
Schroef (+K4 × 20) + mof		b*4	2
Sluitnokschroef		c*4	4
Schroef (+P4 × 15)		d*4	4
Ankerbout		e*4	2
Schroefdop		f*4	3
Ondersteuningsriem		g*4	1
Schroef (M6 × 18)			
Houtschroef (M3,8 × 20)			
Luidsprekerhaak (L)		1	
Luidsprekerhaak (R)		1	
Papieren sjabloon		4*2	
		3*3	
Tape		1	

*1 De bovenstaande illustraties zijn voor SU-FL300M. Dit verschilt van SU-FL300L. Voor SU-FL300L zijn er twee uitsparingen op de zijkant van de zijstaander.

*2 Voor SU-FL300M zijn er vier papieren sjablonen voorzien.

*3 Voor SU-FL300L zijn er drie papieren sjablonen voorzien.

*4 De zakjes met onderdelen zijn alfabetisch gelabeld.

Houd een kruiskopschroevendraaier bij de hand die geschikt is voor de schroeven die hierboven worden beschreven.

Stap 2: De tv-standaard monteren

WAARSCHUWING

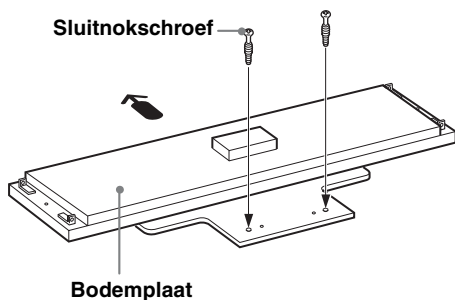
Als het netsnoer beklemd raakt onder of tussen onderdelen van de apparatuur, kan dit kortsluiting of elektrische schokken tot gevolg hebben. Als u over het netsnoer of de verbindingkabel struikelt, kan de tv-standaard omvallen. Dit kan letsel tot gevolg hebben.

Bepaal eerste de installatieplaats en leg de tv-standaard neer voordat u de tv installeert.

Aangezien de tv zwaar is, kunt u het beste eerst bepalen waar u deze wilt installeren en de tv-standaard ter plaatse monteren.

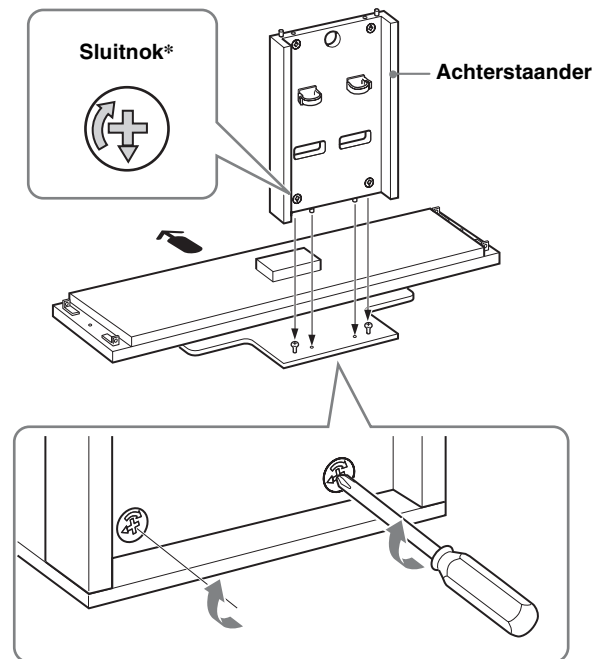
1 Maak de achterstaander vast aan de bodemplaat.

- 1 Draai de twee bijgeleverde sluitnokschroeven vast op de bodemplaat.



← De richting van de pijl duidt de voorkant van de tv-standaard aan.

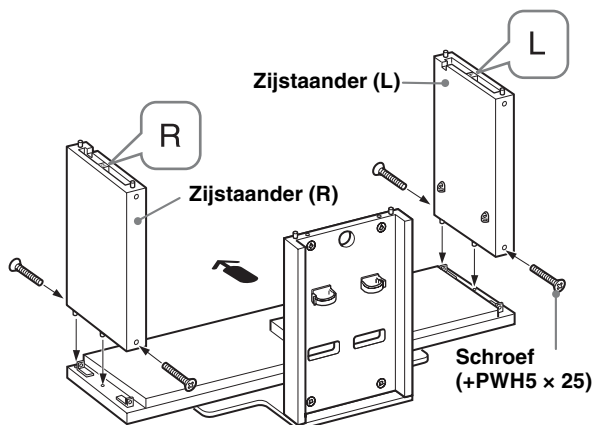
- 2 Bevestig de achterstaander aan de bodemplaat en draai de twee sluitnokken vast met een schroevendraaier.



* Voordat u de achterstaander bevestigt, dient u ervoor te zorgen dat de aanduiding ∇ naar beneden wijst.

2 Maak de zijstaanders vast aan de bodemplaat.

Maak de zijstaanders en de bodemplaat stevig vast met de vier bijgeleverde schroeven (+PWH5 × 25).

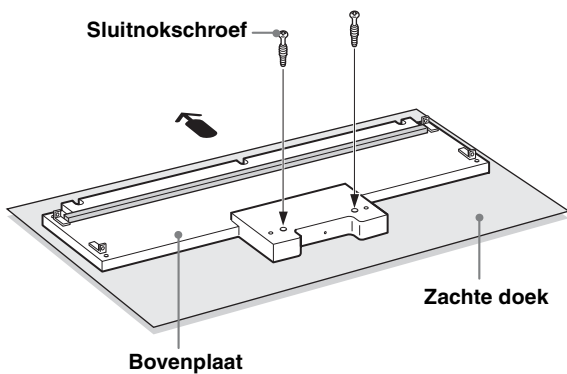


Opmerking

Er zijn verschillen tussen de linker- en rechterstaanders. Installeer elke staander aan de juiste kant.

3 Bevestig de bovenplaat.

- 1 Draai de twee bijgeleverde sluitnokschroeven vast op de bovenplaat.

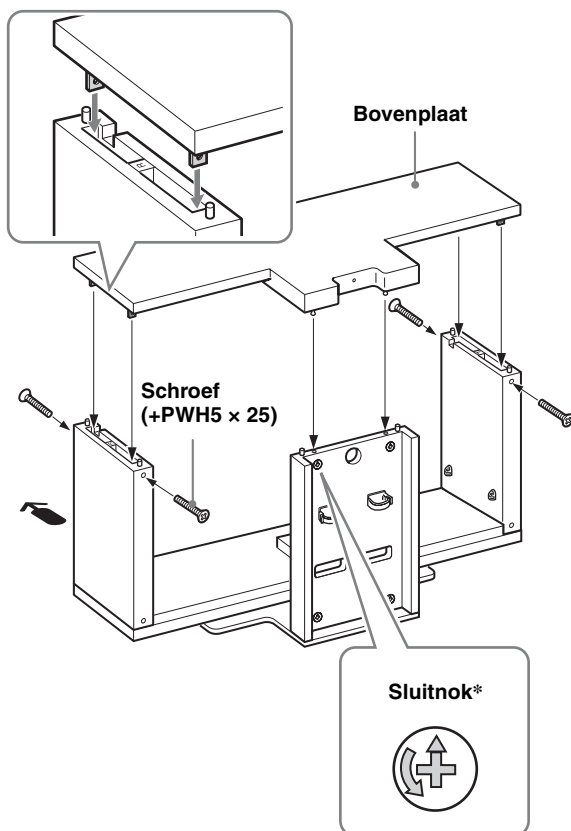


De bovenstaande illustratie toont de SU-FL300M als voorbeeld. Voor SU-FL300L zijn er twee verstevigingsbalken op de bovenplaat.

Opmerking

Om te voorkomen dat het glanzende oppervlak van de bovenplaat beschadigd wordt, reinigt u best het werkoppervlak en bedekt u het met een zachte doek.

- 2 Lijn de beugels aan beide kanten van de bovenplaat uit en bevestig ze tegen de zijstaanders.
- 3 Bevestig de zijstaanders met de vier bijgeleverde schroeven (+PWH5 × 25). En bevestig de twee overblijvende sluitnokken aan de achterkant van de achterstaander.



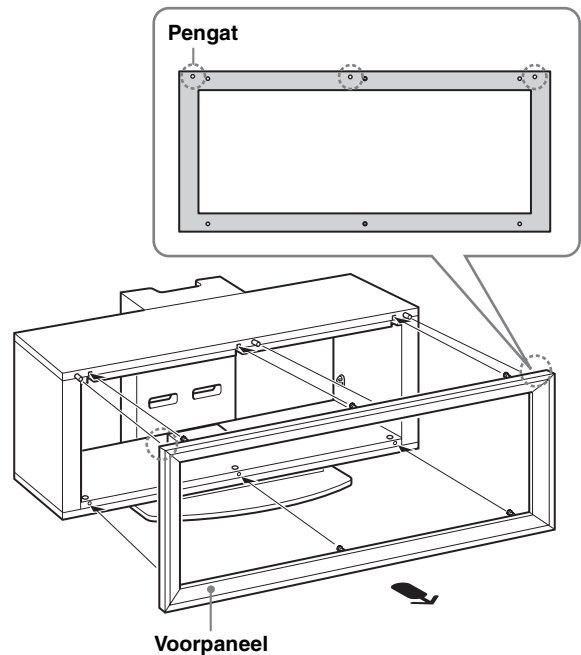
* Voordat u de bovenplaat bevestigt, dient u ervoor te zorgen dat de aanduiding Δ naar boven wijst.

Opmerking

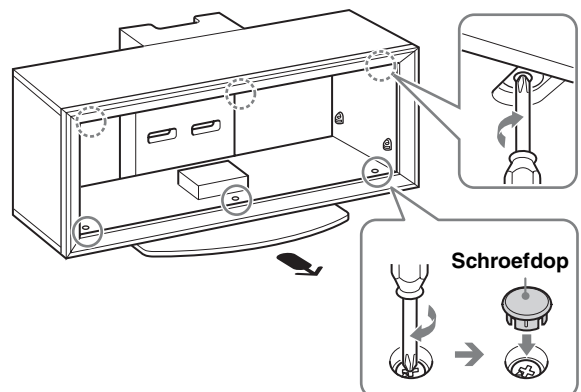
Zorg ervoor dat uw vingers niet geklemd raken bij het bevestigen van de bovenplaat.

4 Bevestig het voorpaneel op de tv-standaard.

- 1 Lijn de drie pennen van de tv-standaard uit met de drie gaten in het voorpaneel.



- 2 Draai de zes sluitnokschroeven op het boven- en bodemplaat rechtsonder om het voorpaneel te bevestigen. Bevestig vervolgens de drie bijgeleverde schroefdoppen op de drie onderste schroeven.



Opmerking

Bevestig het voorpaneel in de juiste richting.

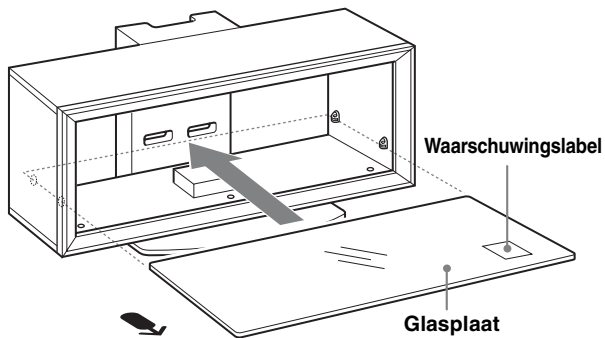
(Wordt vervolgd)

7 (NL)

5 Bevestig de glasplaat.

Bevestig eerst de luidsprekerhaken als u het home cinema-systeem op de standaard aansluit. (Raadpleeg "De middenluidspreker installeren (Alleen voor home cinema-systemen)" op pagina 12.)

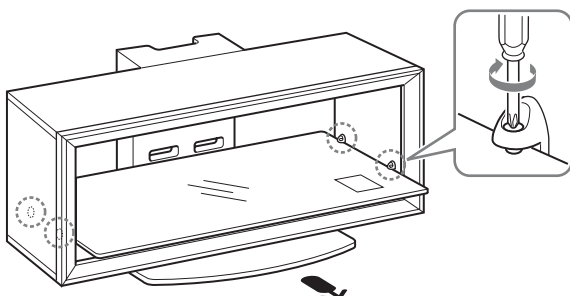
- 1 Duw de glasplaat volledig tot tegen de achterstaander.



Opmerking

Plaats de glasplaat op de tv-standaard met het waarschuwinglabel rechts vooraan naar boven gericht, zoals in het voorbeeld.

- 2 Draai de vier schroeven aan de zijstaanders vast om de glasplaat aan de tv-standaard te bevestigen.



Stap 3: De installatie van de tv voorbereiden

1 Bevestig de moffen op de bovenplaat.

Bevestig de moffen met de bijgeleverde schroeven (+K4 x 20).

Voor modellen die niet worden weergegeven op pagina 2:

Gebruik de voorste gaten.

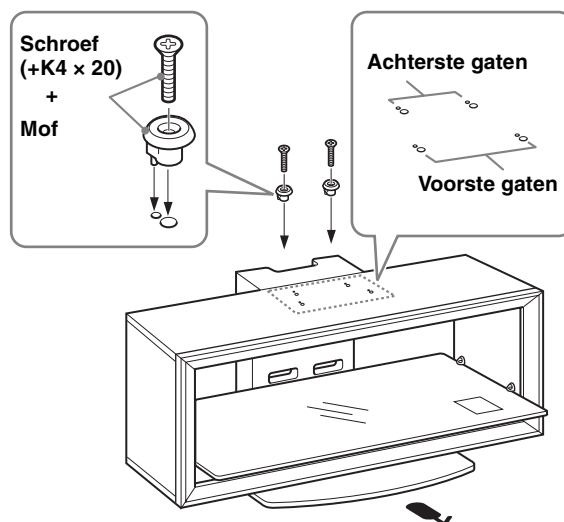
Voor modellen die worden weergegeven op pagina 2:

Voor modellen van het draaitype*, gebruikt u de achterste gaten; voor modellen van een ander type gebruikt u de voorste gaten.

Opmerking

Raadpleeg de instructies bij de tv om te weten of uw tv kan draaien of niet.

* Met de draaifunctie kunt u de kijkhoek van de tv aanpassen (links en rechts).



2 Plak het bijgeleverde papieren sjabloon op de bovenplaat.

- 1 Kies de bijgeleverde papieren sjabloon en lijn de rechterhoek van de papieren sjabloon uit met de rechterhoek van de bovenplaat.

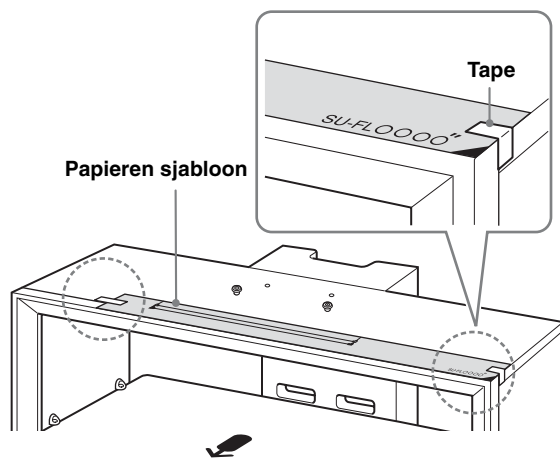
Voor modellen die niet worden weergegeven op pagina 2:

Raadpleeg de brochure die u bij de tv vindt en kies de papieren sjabloon met hetzelfde formaat als uw tv-scherm.

Voor modellen die worden weergegeven op pagina 2:

Kies de papieren sjabloon die in zwarte inkt is afgedrukt met hetzelfde formaat als uw tv-scherm.

- 2 Plak het papieren sjabloon op de bovenplaat met de bijgeleverde tape.



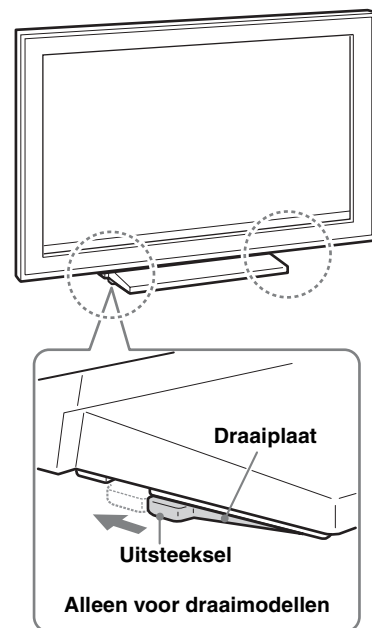
Stap 4: De tv installeren

Bevestig uw tv aan de tafelstandaard, als dat nog niet gebeurd is.

Als uw tv een draaimodel is (zie pagina 2), volg dan procedure in deel 1 van stap 4.

1 Pas de positie van de draaiplaat aan in het midden (Alleen voor draaimodellen).

Lijn voordat u de tv installeert het uitsteeksel op de draaiplaat uit met de inkeping in de tafelstandaard.



WAARSCHUWING

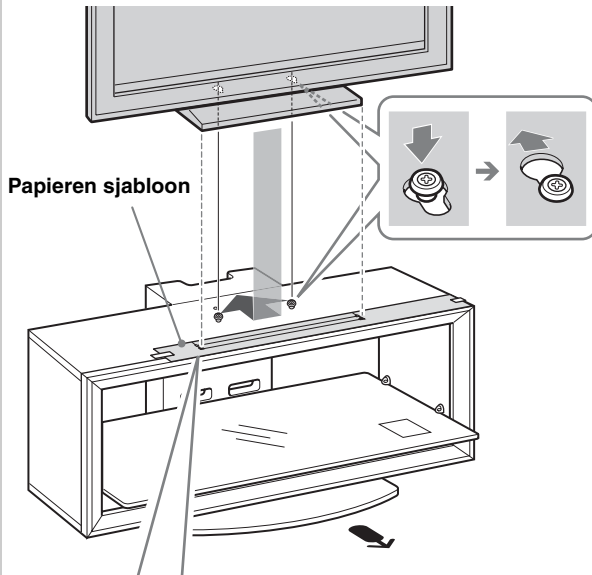
Als de draaiplaat niet correct wordt aangepast, kunt u de tv niet stevig installeren en kan deze vallen.

(Wordt vervolgd)

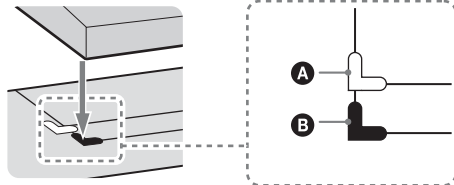
9 (NL)

2 Installeer de tv op de tv-standaard.

- 1 Zorg ervoor dat de vorm van de tafelstandaard overeenkomt met de vorm van uw tv-scherm en de hoekaanduidingen van de papieren sjabloon, zodat de gaten onderaan de tafelstandaard overeenkomen met de moffen die u hebt bevestigd in deel 1 van stap 3.
- 2 Schuif de tv terug tot deze op zijn plaats staat.
- 3 Verwijder het papieren sjabloon van de bovenplaat.



Enkel voor de draaimodellen die worden weergegeven op pagina 2



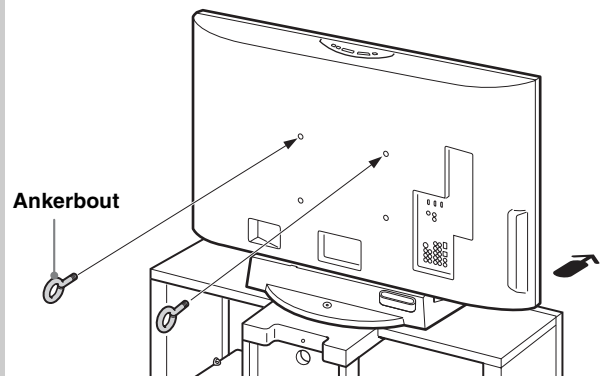
- A De witte hoekaanduiding is voor draaimodellen.
- B De zwarte hoekaanduiding is voor niet-draaimodellen.

Opmerking

Voor tv's met een formaat van 37/40 inch, ongeacht of het een draaimodel is of niet, dient u de tafelstandaard uit te lijnen met de zwarte hoekaanduiding. (Er staat geen witte hoekaanduiding op het papieren sjabloon voor 37/40 inch.)

3 Bevestig de ankerbouten.

Bevestig de twee bijgeleverde ankerbouten op de achterkant van de tv.



Opmerking

Als u de tv niet met de twee ankerbouten vastmaakt, kan deze vallen en letsel veroorzaken.

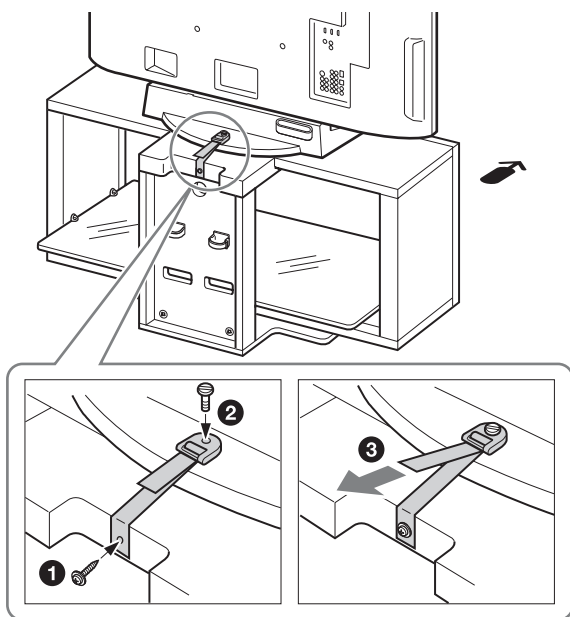
Stap 5: Veiligheidsmaatregelen om omvallen te voorkomen

WAARSCHUWING

Neem voldoende maatregelen om te voorkomen dat de tv-standaard omvalt en zo letsel of schade veroorzaakt.

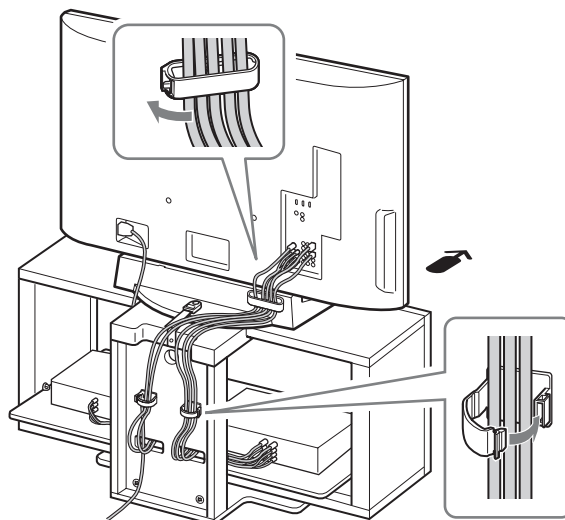
1 Bevestig de ondersteuningsriem.

- 1 Bevestig de ondersteuningsriem aan de tv-standaard met de bijgeleverde houtschroef met de schroevendraaier.
- 2 Bevestig de ondersteuningsriem aan de tafelstandaard en schroef de riem vast met de bijgeleverde bevestigingsschroef met een munt, enz.
- 3 Pas de lengte aan door de ondersteuningsriem aan te trekken terwijl u de tafelstandaard vasthoudt.



2 Sluit de kabels aan.

Steek de kabels door de kabelhouders en de gaten in de achterstaander.



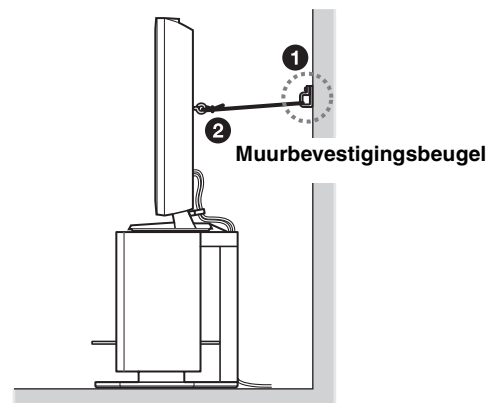
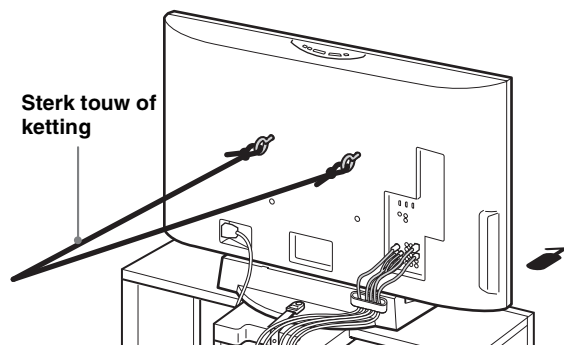
Opmerking

Als de kabels niet correct worden geïnstalleerd, kunnen ze geklemd en beschadigd raken. Dat kan resulteren in elektrische schokken, enz.

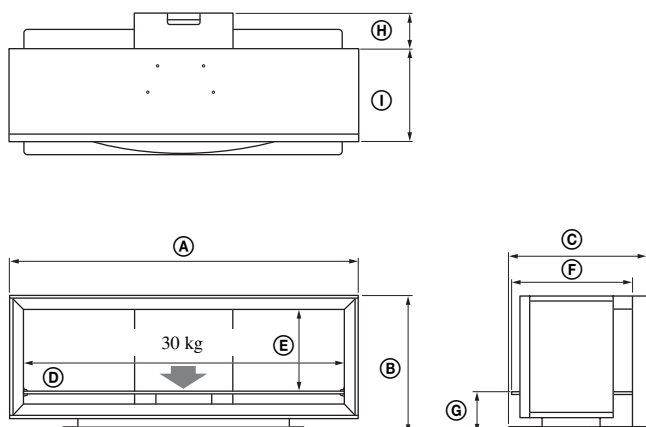
3 Veranker de tv aan de muur.

Zorg vooraf voor een sterk touw of een ketting en een muurbevestigingsbeugel. Deze zijn in de handel verkrijgbaar.

- 1 Maak de muurbevestigingsbeugel vast aan een stevige muur.
- 2 Trek het touw of de ketting door beide openingen van de ankerbouten en maak vervolgens het andere einde van het touw of de ketting vast aan de muurbevestigingsbeugel.



Technische gegevens



Opmerking over draagcapaciteit

Plaats geen apparaten op de glasplaat die het maximale gewicht overschrijden. De glasplaat kan breken en letsel veroorzaken.

		SU-FL300M	SU-FL300L
Afmetingen: mm	Ⓐ	1.035	1.280
	Ⓑ	503	503
	Ⓒ	485	518
	Ⓓ	895	1.140
	Ⓔ	303	303
	Ⓕ	418	468
	Ⓖ	146	146
	Ⓗ	120	130
	Ⓘ	272	340
Gewicht:		35 kg	52 kg

Wijzigingen in ontwerp en technische gegevens voorbehouden zonder voorafgaande kennisgeving.

De middenluidspreker installeren (Alleen voor home cinema-systemen)

Het model SS-CT71/CNP2200 met middenluidspreker is voor de volgende modellen van home cinema-systemen:

DAV-HDX665	HT-SF2000
DAV-HDX466	HT-SF1200
DAV-HDX465	HT-SF1100
DAV-HDX267W	DAV-DZ750K
DAV-HDX266	DAV-DZ630
DAV-HDX265	DAV-DZ556KB
DAV-HDZ235	DAV-DZ555K
	DAV-DZ555M
	DAV-DZ530
	DAV-DZ250KW
	DAV-DZ250K
	DAV-DZ250M
	DAV-DZ231
	DAV-DZ230
	DAV-DZ151KB
	DAV-DZ150K

Het model SS-CT72/CT74 met middenluidspreker is voor de volgende modellen van home cinema-systemen:

DAV-HDX900W	DAV-DZ1000
DAV-HDX501W	DAV-DZ850KW
DAV-HDX500	DAV-DZ850M
	DAV-DZ830W
	DAV-DZ531W

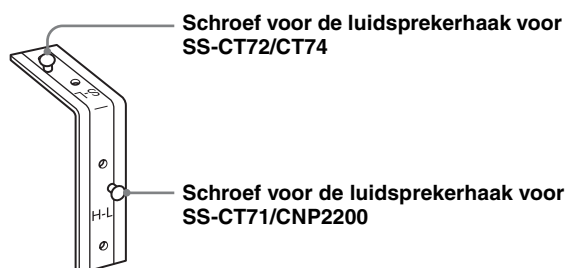
Opmerkingen

- De bovenvermelde producten kunnen worden gewijzigd zonder voorafgaande kennisgeving, zijn mogelijk niet meer in voorraad of worden mogelijk niet meer gemaakt.
- Bepaalde modellen zijn mogelijk niet beschikbaar in bepaalde regio's.

Voor de bevestiging van de luidsprekerhaak:

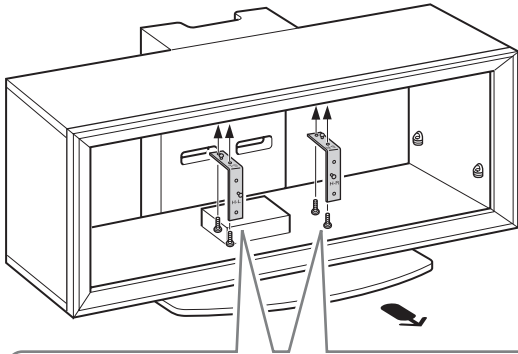
Voor SS-CT71/CNP2200 moeten de aanduidingen H-L/H-R naar voren gericht zijn. (H-L is voor de linkerkant, H-R is voor de rechterkant.)

Voor SS-CT72/CT74 moeten de aanduidingen S-L/S-R naar voren gericht zijn. (S-L is voor de linkerkant, S-R is voor de rechterkant.)

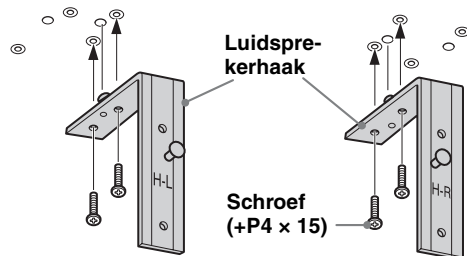


1 Bevestig de luidsprekerhaak.

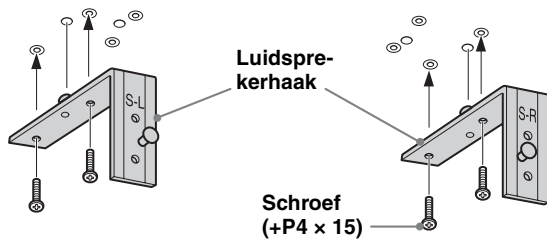
Bevestig elke luidsprekerhaak met de bijgeleverde schroeven (+P4 x 15) (twee schroeven elk voor links/rechts) aan de onderkant van de bovenplaat.



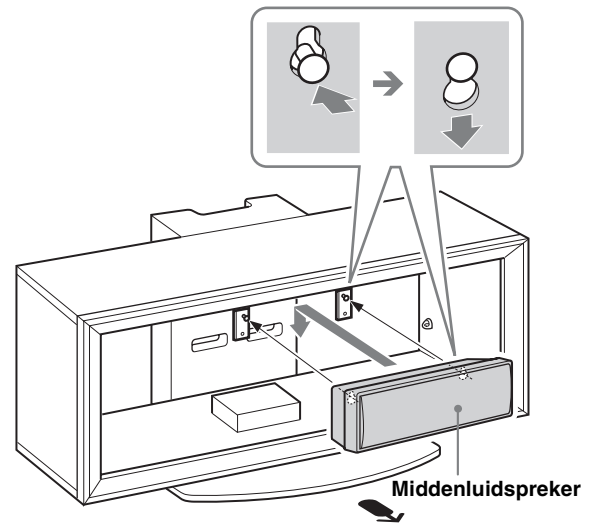
Middenluidspreker: SS-CT71/CNP2200



Middenluidspreker: SS-CT72/CT74



2 Hang de middenluidspreker op de schroeven van de haak zoals afgebeeld.



Danke, dass Sie sich für dieses Produkt entschieden haben.

Für den Kunden

Die Installation dieses Produkts sollte ausschließlich von qualifiziertem Kundendienstpersonal von Sony durchgeführt werden, da hierfür mindestens zwei Personen erforderlich sind, mit besonderer Sorgfalt gearbeitet werden muss und spezielle Sicherheitsmaßnahmen und Arbeitsabläufe zu beachten sind.

ACHTUNG

Wenn die Sicherheitsmaßnahmen nicht eingehalten werden oder das Produkt unsachgemäß verwendet wird, besteht Feuergefahr oder die Gefahr schwerer Verletzungen.

Diese Gebrauchsanweisung erläutert die richtige Handhabung des Produkts und enthält wichtige Sicherheitshinweise, um Unfälle zu verhindern. Lesen Sie diese Anweisungen sorgfältig durch und verwenden Sie das Produkt sachgemäß. Bewahren Sie diese Gebrauchsanweisung zum späteren Nachschlagen sorgfältig auf.

Für Sony-Händler

Für die Installation eines Fernsehgeräts sind mindestens zwei Personen erforderlich, es muss mit besonderer Sorgfalt gearbeitet werden und es sind spezielle Arbeitsabläufe zu beachten. Lesen Sie diese Gebrauchsanweisung sorgfältig durch, wenn Sie mit der Installation eines Fernsehgeräts betraut sind. Sony übernimmt keine Haftung für Unfälle bzw. Schäden, die durch eine fehlerhafte Installation oder unsachgemäßen Umgang mit dem Produkt entstehen. Händigen Sie diese Gebrauchsanweisung nach der Installation bitte an den Kunden aus.

Sicherheit

Bei der Entwicklung von Sony-Produkten wird besonderer Wert auf den Faktor Sicherheit gelegt. Bei unsachgemäßer Verwendung kann es durch Feuer, einen elektrischen Schlag, das Umkippen oder das Herunterfallen des Produkts allerdings zu schweren Verletzungen kommen. Beachten Sie bitte unbedingt die Sicherheitsmaßnahmen, um solche Unfälle zu vermeiden.

VORSICHT

Spezifizierte Produkte

Die folgenden Produkte unterliegen unangekündigten Änderungen. Bestimmte Modelle sind möglicherweise nicht mehr vorrätig oder Auslaufmodelle oder in einigen Regionen nicht erhältlich.

	LCD-Farbfernsehgerät	
SU-FL300M	KDL-46W3500	KDL-40D2600
	KDL-46W3100	KLV-40W300A
	KDL-46W3000	KLV-40V300A
	KDL-46V3100	KLV-40D300A
	KDL-46V3000	KDL-37S3100
	KDL-46VL130	KLV-37S310A
	KDL-46S3000	KDL-32XBR4
	KDL-46D3550	KDL-32V3100
	KDL-46D3500	KDL-32T3000
	KDL-46D3100	KDL-32T2800
	KDL-46D3010	KDL-32T2600
	KDL-46D3000	KDL-32S3100
	KLV-46W300A	KDL-32S3000
	KLV-46V300A	KDL-32SL130
	KLV-46D300A	KDL-32D3100
	KDL-40W3500	KDL-32D3010
	KDL-40W3100	KDL-32D3000
	KDL-40W3000	KDL-32D2810
	KDL-40V3100	KDL-32D2710
	KDL-40V3000	KDL-32D2600
	KDL-40VL130	KLV-32V300A
	KDL-40T3000	KLV-32S310A
	KDL-40T2800	KLV-32D300A
	KDL-40T2600	
	KDL-40S3000	
	KDL-40SL130	
	KDL-40D3550	
KDL-40D3500		
KDL-40D3100		
KDL-40D3010		
KDL-40D3000		
KDL-40D2810		
KDL-40D2710		
SU-FL300L	KDL-52W3000	
	KDL-52WL130	
	KDL-46W3000	
	KDL-46V3000	
	KDL-46VL130	

Dieser Fernsehständer ist für die oben angegebenen Geräte konzipiert. Schlagen Sie bei anderen Fernsehgeräten in den dazugehörigen Bedienungsanleitungen nach und vergewissern Sie sich, ob dieser Fernsehständer verwendet werden kann.

Bei einigen Fernsehgeräten wird ein Infoblatt mitgeliefert, in dem die Montage des Fernsehständers erläutert wird.

ACHTUNG

Bitte beachten Sie unbedingt die folgenden Sicherheitsmaßnahmen! Andernfalls kann es durch Feuer, einen elektrischen Schlag oder das Umkippen des Produkts zu schweren oder gar tödlichen Verletzungen kommen.

Die Installation von Produkten sollte ausschließlich von qualifiziertem Kundendienstpersonal von Sony durchgeführt werden.

Das Fernsehgerät und der Fernsehständer sind sehr schwer. Bei der Installation durch nicht qualifiziertes Personal besteht die Gefahr schwerer Verletzungen.

Ergreifen Sie unbedingt geeignete Maßnahmen, um ein Umkippen des Fernsehständers zu verhindern.

Andernfalls kann das Fernsehgerät umkippen und Verletzungen verursachen. Verankern Sie das Fernsehgerät an einer Wand usw., damit es nicht umkippen kann.

Stellen Sie den Fernsehständer unbedingt auf einer stabilen und ebenen Bodenfläche auf.

Achten Sie beim Aufstellen des Fernsehständers darauf, dass dieser nicht geneigt steht. Andernfalls kann der Fernsehständer umkippen oder das Fernsehgerät kann herunterfallen. Dabei besteht die Gefahr von Verletzungen oder Sachschäden.

Wenn Sie den Fernsehständer auf einer weichen Oberfläche, wie z. B. einer Matte oder einem Teppich, aufstellen, legen Sie eine feste Platte unter den Fernsehständer.

Verwenden Sie den Fernsehständer nicht, wenn Sprünge zu sehen sind.

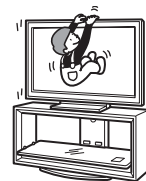
Verwenden Sie den Fernsehständer nicht, wenn Sprünge im Glas zu sehen sind. Das Glas könnte springen und das Fernsehgerät infolgedessen herunterfallen. Dabei besteht die Gefahr schwerer Verletzungen oder Sachschäden.



Fernsehständer mit Sprüngen im Glas

Lehnen und hängen Sie sich nicht an das Fernsehgerät.

Andernfalls kann der Fernsehständer umkippen oder das Fernsehgerät kann herunterfallen. Dabei besteht die Gefahr schwerer oder gar tödlicher Verletzungen.



Lassen Sie Kinder nicht auf den Fernsehständer steigen oder zwischen die Böden klettern.

Wenn Kinder auf den Fernsehständer oder in den Bereich zwischen den Böden klettern, kann das Glas brechen oder der Fernsehständer mit dem Fernsehgerät umkippen. In diesem Fall besteht die Gefahr schwerer oder gar tödlicher Verletzungen.



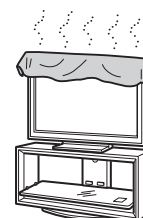
Stellen Sie sich nicht auf den Fernsehständer.

Sie könnten herunterfallen oder das Glas könnte brechen und Verletzungen verursachen.



Blockieren Sie nicht die Lüftungsöffnungen am Fernsehgerät.

Wenn Sie die Lüftungsöffnungen abdecken (zum Beispiel mit einem Tuch), kann es im Inneren des Geräts zu einem Wärmestau kommen, der ein Feuer auslösen kann.



Achten Sie darauf, das Netzkabel und die Verbindungskabel nicht einzuklemmen.

- Achten Sie darauf, das Netzkabel und die Verbindungskabel bei der Installation des Fernsehgeräts auf dem Fernsehständer nicht einzuklemmen. Wenn das Netzkabel oder die Verbindungskabel beschädigt werden, besteht Feuergefahr oder die Gefahr eines elektrischen Schlags.
- Treten Sie nicht auf das Netzkabel oder die Verbindungskabel, wenn Sie den Fernsehständer tragen. Das Netzkabel oder die Verbindungskabel könnten beschädigt werden. In diesem Fall besteht Feuergefahr oder die Gefahr eines elektrischen Schlags.

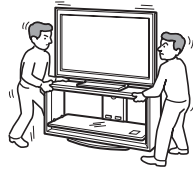


(Fortsetzung)

3 (DE)

Stellen Sie den Fernsehständer nicht um, wenn das Fernsehgerät montiert ist oder angeschlossene Geräte darin stehen.

Wenn Sie den Fernsehständer mit daran montiertem Fernsehgerät umstellen, können Sie sich den Rücken verletzen oder der Fernsehständer kann umfallen und schwere Verletzungen verursachen. Außerdem können angeschlossene Geräte darin herunter- oder umfallen, so dass der Glasboden bricht oder andere Sachschäden entstehen.



VORSICHT

Wenn Sie die folgenden Sicherheitsmaßnahmen nicht beachten, besteht die Gefahr von Verletzungen oder Sachschäden.

Montieren Sie auf dem Ständer ausschließlich die angegebenen Geräte.

- Dieser Fernsehständer ist ausschließlich für die angegebenen Geräte konzipiert. Wenn Sie andere als die angegebenen Geräte darauf montieren, kann der Fernsehständer umkippen oder springen und es besteht Verletzungsgefahr.
- Stellen Sie keine Gegenstände, wie z. B. Vasen oder andere Gefäße, auf den Fernsehständer.
- Modifizieren Sie den Fernsehständer nicht.
- Stellen Sie nichts Heißes direkt auf den Fernsehständer. Durch Hitzeeinwirkung kann sich der Fernsehständer verfärben oder verformen.
- Stellen Sie keine Gegenstände direkt auf den Fernsehständer, die das Glas beschädigen könnten.

Befestigen Sie das Fernsehgerät unbedingt sicher am Fernsehständer.

Befestigen Sie das Fernsehgerät mit den mitgelieferten Verankerungsbolzen am Fernsehständer. Wenn das Fernsehgerät nicht sicher montiert wird, kann es herunterfallen oder der Fernsehständer kann umkippen und Verletzungen verursachen.

Üben Sie keinen Druck auf das Glas aus und stoßen Sie nicht dagegen.

Stützen Sie sich bei der Installation des Fernsehgeräts nicht auf dem Fernsehständer ab. Stoßen Sie nicht mit harten Gegenständen, wie z. B. einem Schraubenzieher, an den Fernsehständer. Das Glas kann springen und Verletzungen verursachen.

Wenn Sie den Fernsehständer tragen

Wenn Sie versuchen, den Fernsehständer allein umzustellen, oder dabei nicht die erforderlichen Sicherheitsmaßnahmen beachten, kann es zu Verletzungen kommen. Um dies zu vermeiden, gehen Sie unbedingt wie im Folgenden erläutert vor.

- Zum Tragen des Fernsehständers sind mindestens zwei Personen erforderlich. Nehmen Sie unbedingt zuvor das Fernsehgerät, die angeschlossenen Geräte und die Glasböden ab bzw. heraus.
- Ziehen Sie den Fernsehständer nicht. Es könnten sich Teile am Boden des Fernsehständers lösen und den Fußboden beschädigen.

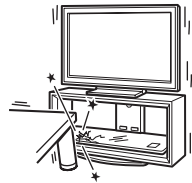
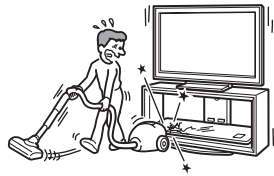
- Achten Sie darauf, sich nicht die Füße oder Hände unter der Bodenplatte einzuklemmen.
- Fassen Sie den Fernsehständer beim Tragen nicht am Glasboden.

Schützen Sie das Glas vor heftigen Stößen.

Dieser Fernsehständer besteht aus gehärtetem Glas, aber Sie sollten ihn trotzdem mit Sorgfalt behandeln.

Wenn das Glas springt, kann es zu Verletzungen durch Glassplitter kommen. Beachten Sie deshalb die folgenden Sicherheitsmaßnahmen.

- Stoßen Sie nicht gegen das Glas und lassen Sie keine scharfkantigen Gegenstände auf das Glas fallen. Setzen Sie das Glas keinen heftigen Stößen aus.
- Kratzen Sie nicht mit spitzen Gegenständen über das Glas und stoßen Sie nicht mit solchen Gegenständen gegen das Glas.
- Stoßen Sie nicht mit harten Gegenständen, wie z. B. einem Staubsauger, gegen die Glaskanten.



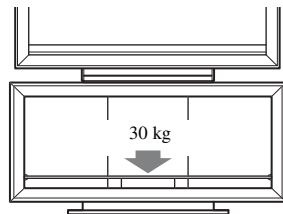
Hinweis zur Verwendung

Um den Fernsehständer sauber zu halten, wischen Sie ihn gelegentlich mit einem trockenen weichen Tuch ab. Hartnäckige Verschmutzungen können Sie mit einem Tuch entfernen, das Sie leicht mit einer milden Seifenlauge angefeuchtet haben. Wischen Sie den Bereich anschließend unbedingt mit einem weichen, trockenen Tuch ab. Verwenden Sie keine Chemikalien wie Verdünnung oder Benzin. Diese könnten die Oberfläche des Fernsehständers angreifen.

Hinweis zur Tragfähigkeit

Stellen Sie keine Geräte in oder auf den Fernsehständer, die das in der Abbildung angegebene Maximalgewicht für die einzelnen Böden überschreiten.

Andernfalls können die Böden zerbrechen.



Hinweise zur Installation

- Legen Sie beim Zusammenbauen Verpackungsmaterial auf den Fußboden, damit es nicht zu Beschädigungen des Fußbodens kommt.
- Stellen Sie den Fernsehständer auf einer stabilen und ebenen Bodenfläche auf. Stellen Sie den Fernsehständer nicht schräg oder geneigt auf. Befolgen Sie die folgenden Sicherheitsmaßnahmen, um dies zu vermeiden.
 - Stellen Sie den Fernsehständer nicht in der Nähe von Heizungen oder an Orten auf, an denen er direktem Sonnenlicht ausgesetzt ist.
 - Stellen Sie den Fernsehständer nicht an einem sehr warmen oder feuchten Ort oder im Freien auf.

Für Sony-Händler

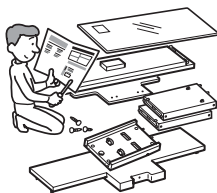
Lesen Sie die zuvor erläuterten Sicherheitsmaßnahmen sorgfältig durch und beachten Sie bei der Installation, der Wartung, der Überprüfung und der Reparatur des Fernsehständers alle relevanten Sicherheitsmaßnahmen.

Die Installationsarbeiten müssen unbedingt von mindestens zwei Personen ausgeführt werden.

Zur Installation des Fernsehgeräts auf dem Fernsehständer sind mindestens zwei Personen erforderlich. Wenn Sie versuchen, das Fernsehgerät allein am Fernsehständer zu montieren, besteht Unfallgefahr und Sie können sich verletzen. Halten Sie Kinder bei der Installation unbedingt fern.

Gehen Sie beim Zusammenbauen des Fernsehständers unbedingt genau nach den Anweisungen vor.

Wenn eine Schraube nicht fest angezogen wird oder herausfällt, kann der Fernsehständer umkippen. Dabei besteht die Gefahr von Verletzungen oder Sachschäden.



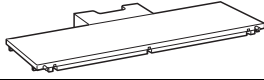
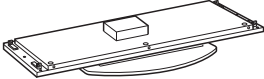
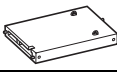
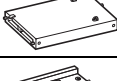
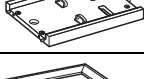


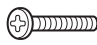




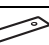
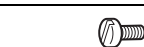
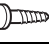


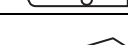

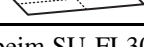
Achten Sie darauf, sich beim Zusammenbauen nicht die Hände oder Finger zu verletzen.

Gehen Sie beim Zusammenbauen des Fernsehständers und der Installation des Fernsehgeräts bitte vorsichtig vor, damit Sie sich nicht die Finger oder Hände einklemmen.

Gehen Sie beim Installieren des Fernsehgeräts unbedingt genau nach den Anweisungen vor.

Ziehen Sie die Schrauben fest an. Wenn das Fernsehgerät nicht sicher montiert wird, kann es herunterfallen und Verletzungen verursachen.

Schritt 1: Überprüfen der mitgelieferten Teile

Bezeichnung		Menge	
Deckplatte		1	
Bodenplatte		1	
Seitenwange (L)*1		1	
Seitenwange (R)*1		1	
Hintere Stütze		1	
Vordere Verkleidung		1	
Glasboden		1	
Schraube (+PWH5 × 25)		a*4	8
Schraube (+K4 × 20) + Schraubhülse		b*4	2
Halteschraube		c*4	4
Schraube (+P4 × 15)		d*4	4
Ankerschraube		e*4	2
Schraubekappe		f*4	3
Haltegurt		g*4	1
Schraube (M6 × 18)			
Holzschraube (M3,8 × 20)			
Lautsprecherwinkel (L)			1
Lautsprecherwinkel (R)			1
Papierschablone			4*2
			3*3
Klebeband			1

*1 Die Abbildungen oben gelten beim SU-FL300M. Beim SU-FL300L gibt es Unterschiede. Beim SU-FL300L weist die Seitenwange seitlich zwei Kerben auf.

*2 Für das Modell SU-FL300M werden vier Papierschablonen mitgeliefert.

*³ Für das Modell SU-FL300L werden drei Papierschablonen mitgeliefert.

*⁴ Die Beutel mit den Teilen sind mit Buchstaben des Alphabets gekennzeichnet.

Legen Sie vor dem Zusammenbau einen Kreuzschlitzschraubenzieher bereit, der in die oben angegebenen Schrauben passt.

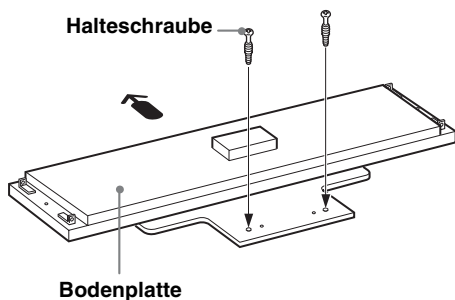
Schritt 2: Zusammenbauen des Fernsehständers

ACHTUNG
Wenn das Netzkabel unter oder zwischen irgendwelchen Teilen eingeklemmt wird, kann es zu einem Kurzschluss kommen oder es besteht die Gefahr eines elektrischen Schlags. Wenn Sie über das Netzkabel oder die Verbindungskabel stolpern, kann der Fernsehständer umkippen und Verletzungen verursachen.

Legen Sie vor der Montage des Fernsehgeräts den Aufstellort fest und legen Sie den Fernsehständer auf den Boden.
Da das Fernsehgerät schwer ist, sollten Sie zunächst den Aufstellort festlegen und den Fernsehständer dann an dieser Stelle zusammenbauen.

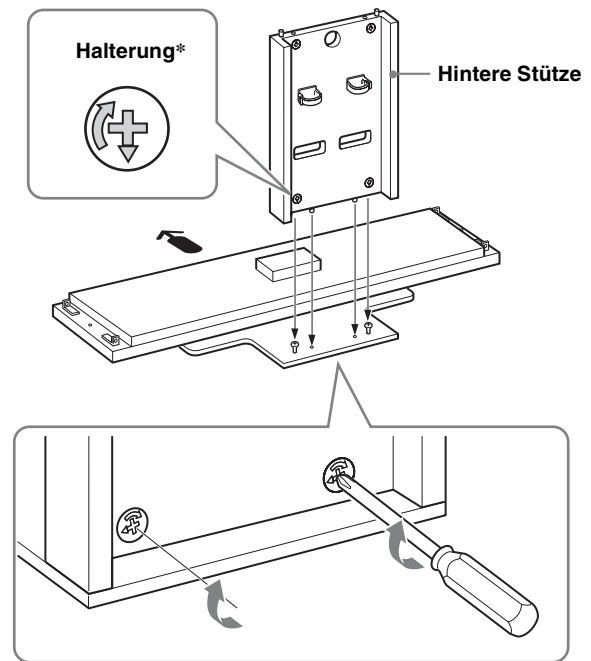
1 Bringen Sie die hintere Stütze an der Bodenplatte an.

1 Schrauben Sie zwei mitgelieferte Halteschrauben in die Bodenplatte.



Die Pfeilrichtung gibt die Vorderseite des Fernsehständers an.

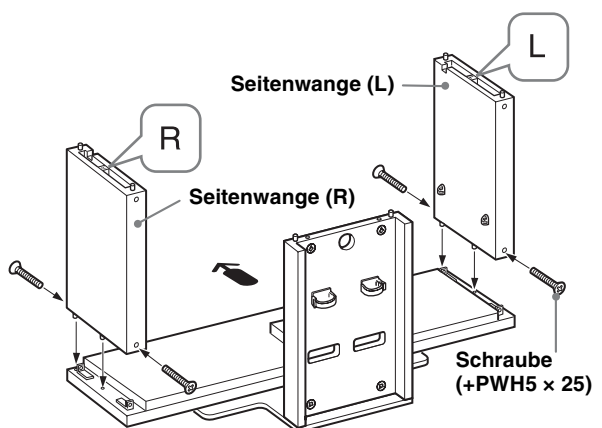
2 Bringen Sie die hintere Stütze an der Bodenplatte an und ziehen Sie die Halterungen mit einem Schraubenzieher fest.



* Vergewissern Sie sich vor dem Montieren der hinteren Stütze, dass die Markierung ∇ nach unten weist.

2 Bringen Sie die Seitenwangen an der Bodenplatte an.

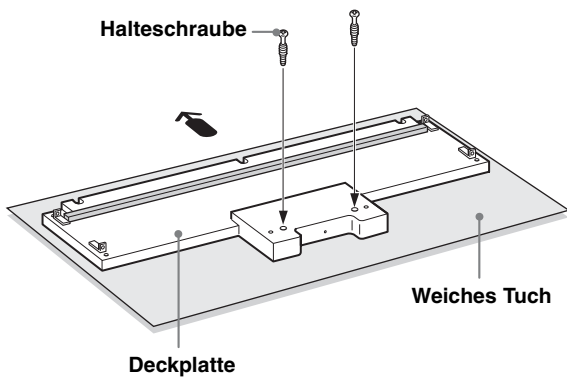
Befestigen Sie die Seitenwangen mit den vier mitgelieferten Schrauben (+PWH5 × 25) an der Bodenplatte.



Hinweis
Die linke und die rechte Seitenwange sind verschieden. Achten Sie darauf, die Wange jeweils auf der richtigen Seite zu montieren.

3 Bringen Sie die Deckplatte an.

- 1 Schrauben Sie zwei mitgelieferte Halteschrauben in die Deckplatte.

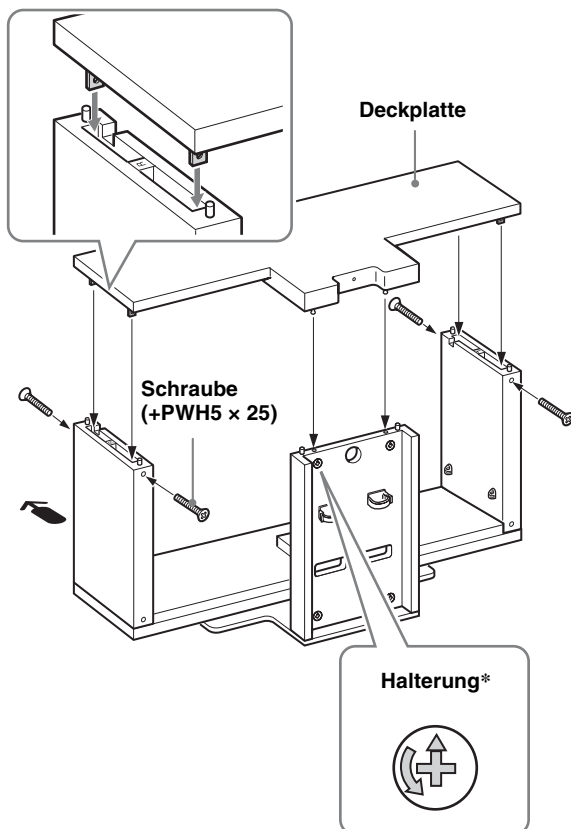


Die Abbildung oben zeigt als Beispiel den SU-FL300M. Beim SU-FL300L weist die Deckplatte zwei Verstärkungsstreben auf.

Hinweis

Damit die Hochglanzoberfläche der Deckplatte nicht beschädigt wird, legen Sie unbedingt ein sauberes, weiches Tuch auf die Arbeitsfläche.

- 2 Richten Sie die Befestigungswinkel an beiden Seiten der oberen Platte aus und stecken Sie sie in die Seitenteile ein.
- 3 Befestigen Sie die Seitenwangen mit den vier mitgelieferten Schrauben (+PWH5 × 25). Ziehen Sie auch die beiden verbleibenden Halterungen an der Rückseite der hinteren Stütze fest.



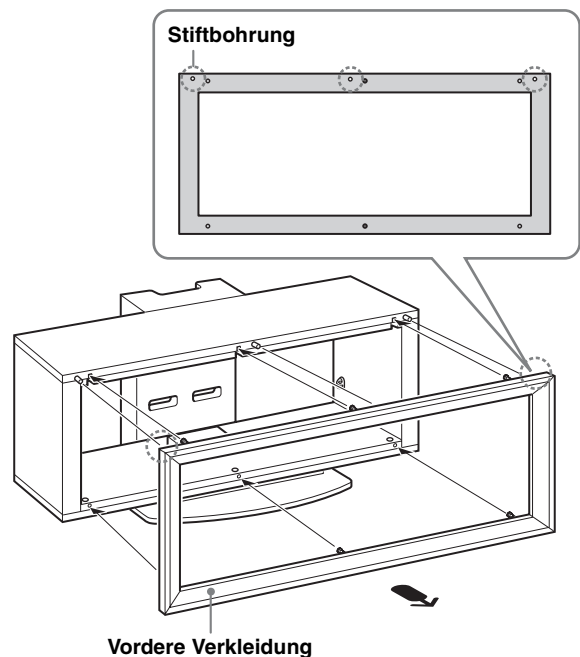
* Vergewissern Sie sich vor dem Montieren der Deckplatte, dass die Markierung Δ nach oben weist.

Hinweis

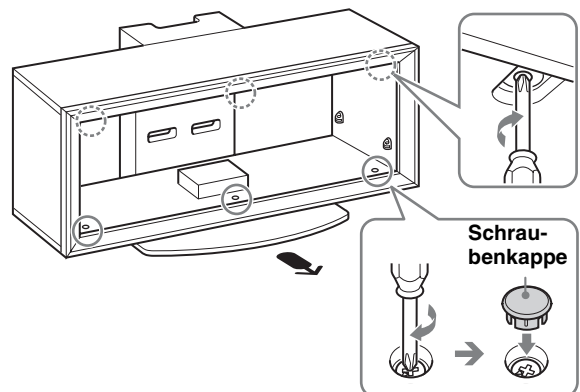
Achten Sie darauf, sich beim Montieren der Deckplatte nicht die Finger einzuklemmen.

4 Bringen Sie die vordere Verkleidung am Fernsehständer an.

- 1 Richten Sie die drei Stifte des Fernsehständers an den drei Bohrungen der vorderen Verkleidung aus.



- 2 Drehen Sie die sechs Halteschrauben an der Deck- und der Bodenplatte im Uhrzeigersinn, um die vordere Verkleidung zu befestigen. Bringen Sie dann die drei mitgelieferten Schraubenkappen an den drei unteren Schrauben an.



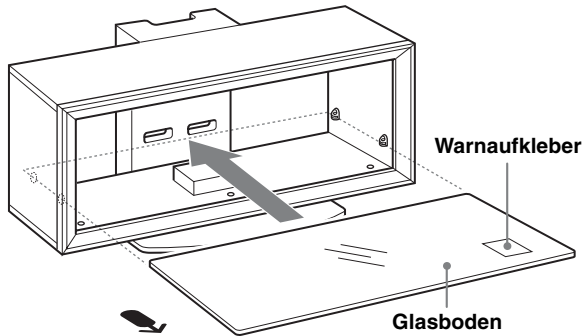
Hinweis

Achten Sie darauf, die vordere Verkleidung richtig herum anzubringen.

5 Bringen Sie den Glasboden an.

Wenn Sie eine Heimkinoanlage auf dem Ständer montieren, bringen Sie zuerst die Lautsprecherwinkel an. Schlagen Sie dazu unter („Installieren des mittleren Lautsprechers (nur bei Heimkinoanlagen)“ auf Seite 14 nach.)

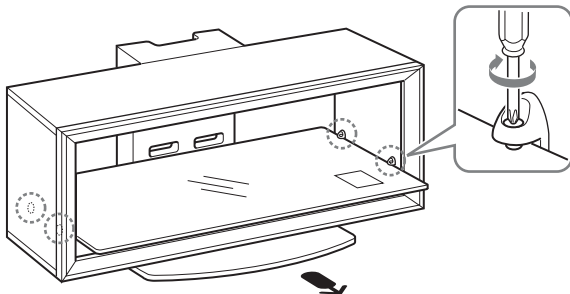
- 1 Schieben Sie den Glasboden beim Einsetzen bis zum Anschlag hinein, so dass er die hintere Stütze berührt.



Hinweis

Setzen Sie dann den Glasboden so in das TV-Rack ein, dass sich der Warnaufkleber vorne rechts befinden und nach oben zeigt (siehe Abbildung).

- 2 Ziehen Sie die vier Schrauben an den Seitenteilen an, um den Glasboden im TV-Rack zu sichern.



Schritt 3: Vorbereiten der Installation des Fernsehgeräts

1 Bringen Sie die Schraubhülsen an der Deckplatte an.

Bringen Sie die Buchsen mit den mitgelieferten Schrauben (+K4 x 20) an.

Für Modelle, die nicht auf Seite 2 aufgeführt sind:

Verwenden Sie die vorderen Bohrungen.

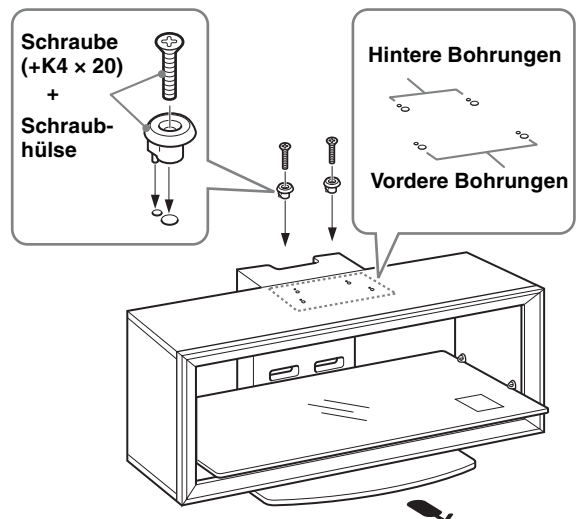
Für Modelle, die auf Seite 2 aufgeführt sind:

Verwenden Sie für kippbare Modelle* die hinteren Bohrungen und für nicht kippbare Modelle die vorderen Bohrungen.

Hinweis

Schlagen Sie in der Bedienungsanleitung zu Ihrem Fernsehgerät nach, ob Ihr Fernsehgerät über eine Drehfunktion verfügt.

* Mit der Drehfunktion können Sie den Sichtwinkel des Fernsehgeräts (links und rechts) einstellen.



(Fortsetzung)

9 (DE)

2 Legen Sie die mitgelieferte Papierschablone auf die Deckplatte.

- 1 Wählen Sie die mitgelieferte Papierschablone aus und richten Sie die rechte Ecke der Papierschablone bündig an der rechten Ecke der oberen Platte aus.

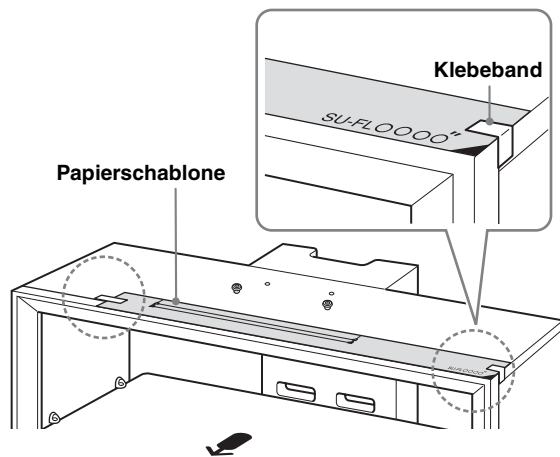
Für Modelle, die nicht auf Seite 2 aufgeführt sind:

Ziehen Sie die mit Ihrem Fernsehgerät mitgelieferte Broschüre und Rate und wählen Sie die passende Papierschablone für Ihr Fernsehgerät aus.

Für Modelle, die auf Seite 2 aufgeführt sind:

Wählen Sie die für die Größe Ihres Fernsehgeräts passende, schwarz gedruckte Papierschablone aus.

- 2 Befestigen Sie die Papierschablone mit dem mitgelieferten Klebeband an der Deckplatte.



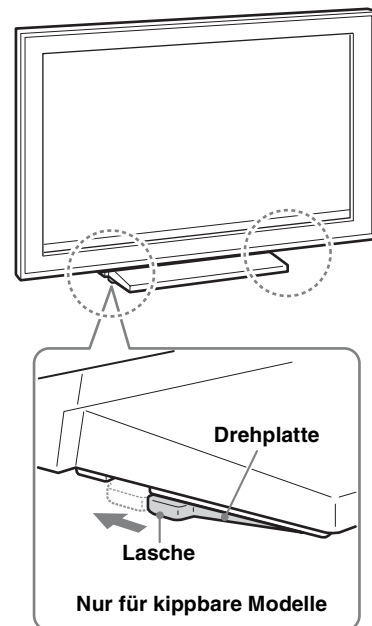
Schritt 4: Montieren des Fernsehgeräts

Bringen Sie den Standfuß an Ihrem Fernsehgerät an, falls noch nicht geschehen.

Befolgen Sie den Teil 1 von Schritt 4 nur für die auf Seite 2 aufgeführten kippbaren Modelle.

1 Stellen Sie die Drehplatte auf die mittlere Position (Nur für kippbare Modelle).

Richten Sie vor dem Montieren des Fernsehgeräts die Lasche der Drehplatte an der Kerbe im Tischständer aus.

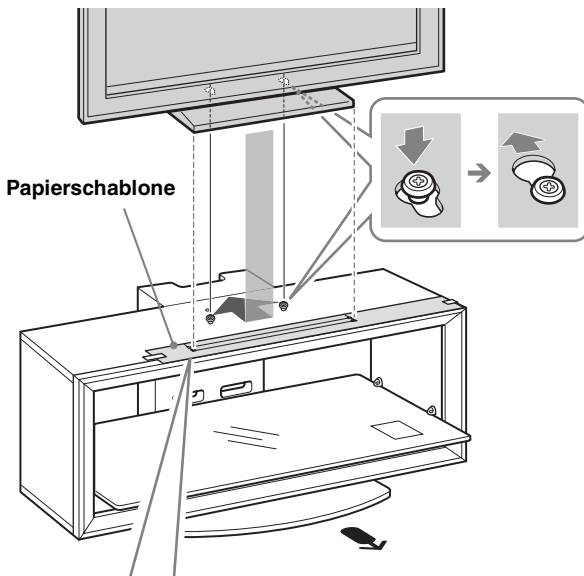


ACHTUNG

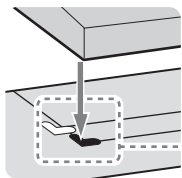
Wenn die Drehplatte nicht richtig ausgerichtet ist, lässt sich das Fernsehgerät nicht sicher montieren und kann herunterfallen.

2 Montieren Sie das Fernsehgerät am Fernsehständer.

- 1 Richten Sie den Umriss des Standfußes am Umriss der TV-Bildschirmgröße und an den Eckmarkierungen auf der Papierschablone aus, so dass die Bohrungen unten am Standfuß an den in Teil 1 von Schritt 3 angebrachten Buchsen ausgerichtet sind.
- 2 Schieben Sie das Fernsehgerät nach hinten, so dass es einrastet.
- 3 Entfernen Sie die Papierschablone von der Deckplatte.



Nur für die auf Seite 2 aufgeführten kippbaren Modelle



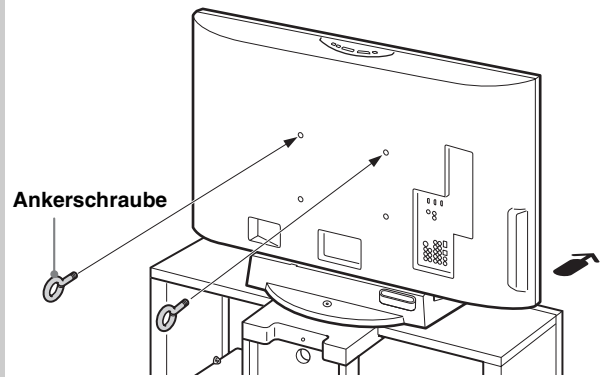
- A Die weiße Eckmarkierung gilt für kippbare Modelle.
- B Die schwarze Eckmarkierung gilt für nicht kippbare Modelle.

Hinweis

Besitzer von 37/40-Zoll-Geräten müssen unabhängig davon, ob das Fernsehgerät ein kippbares oder nicht kippbares Modell ist, den Standfuß an den schwarzen Eckmarkierungen ausrichten. (Auf der Papierschablone für 37/40 Zoll gibt es keine weiße Eckmarkierung.)

3 Bringen Sie die Ankerschrauben an.

Befestigen Sie die beiden mitgelieferten Ankerschrauben an der Rückseite des Fernsehgeräts.



Hinweis

Wenn das Fernsehgerät nicht mit den beiden Ankerschrauben gesichert wird, kann es herunterfallen und Verletzungen verursachen.

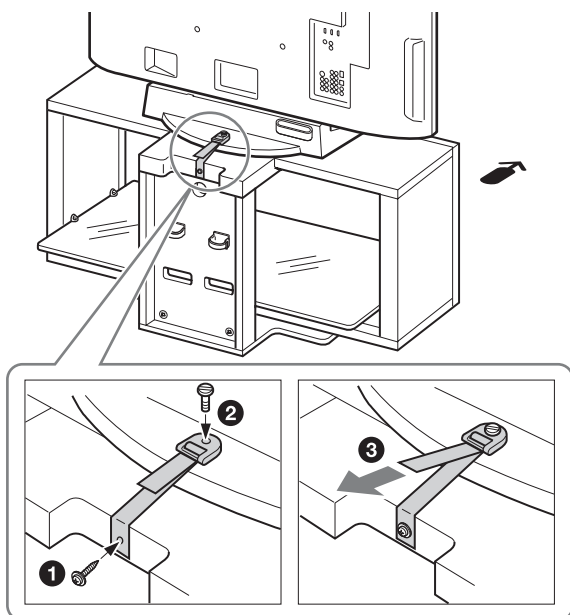
Schritt 5: Sicherheitsmaßnahmen, um ein Kippen des Geräts zu verhindern

ACHTUNG

Ergreifen Sie unbedingt geeignete Maßnahmen, um ein Umkippen des Fernsehständers und damit die Gefahr von Verletzungen und Sachschäden zu verhindern.

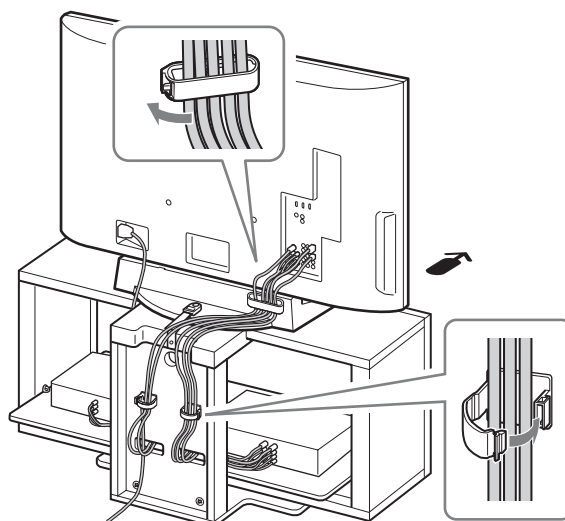
1 Bringen Sie den Halteriemen an.

- 1 Schrauben Sie den Haltegurt mit der mitgelieferten Holzschraube und einem Schraubendreher am TV-Rack fest.
- 2 Bringen Sie den Haltegurt am Standfuß an und schrauben Sie den Gurt mit der mitgelieferten Sicherungsschraube mittels einer Münze o. Ä. fest.
- 3 Stellen Sie die Länge ein, indem Sie am Halteriemen ziehen. Halten Sie dabei den Tischständer fest.



2 Schließen Sie die Kabel an.

Führen Sie die Kabel durch die Kabelhalter und die Öffnungen an der hinteren Stütze.



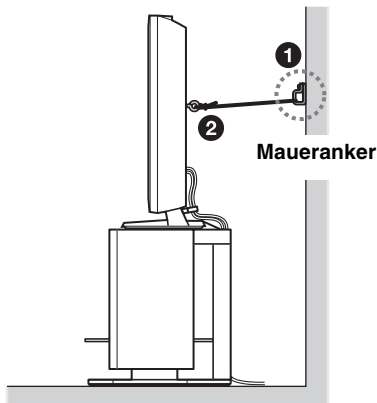
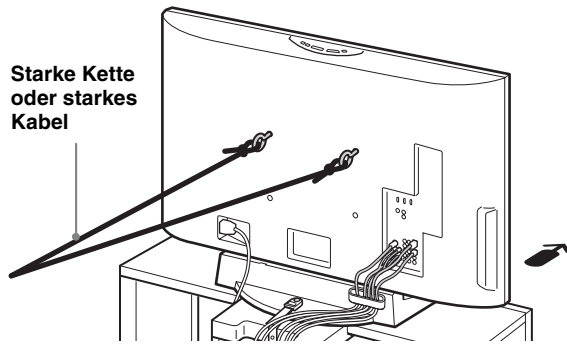
Hinweis

Wenn die Kabel nicht richtig verlegt werden, werden sie möglicherweise eingeklemmt und beschädigt. In diesem Fall besteht die Gefahr eines elektrischen Schlags usw.

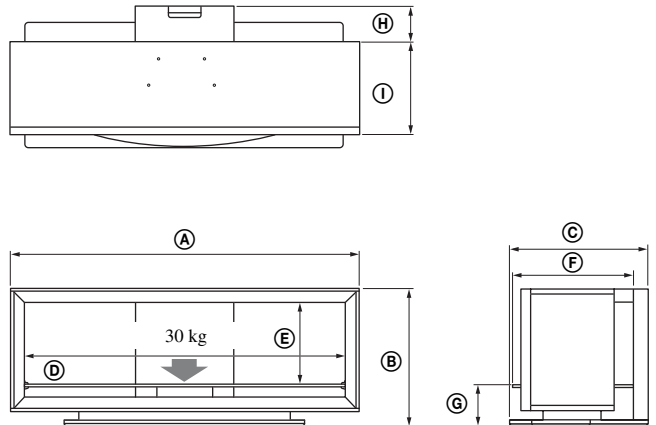
3 Verankern Sie das Fernsehgerät an einer Wand.

Halten Sie zu diesem Zweck eine starke handelsübliche Sicherungskette oder ein starkes handelsübliches Sicherungskabel sowie einen Maueranker bereit.

- ❶ Bringen Sie den Maueranker an einer soliden Wand an.
- ❷ Ziehen Sie die Sicherungskette oder das Sicherungskabel durch die beiden Ösen der Ankerschrauben und befestigen Sie dann das andere Ende der Kette oder des Kabels am Maueranker.



Technische Daten



Hinweis zur Tragfähigkeit

Stellen Sie keine Geräte, die das Maximalgewicht überschreiten, auf den Glasboden. Andernfalls kann er brechen und Verletzungen verursachen.

		SU-FL300M	SU-FL300L
Abmessungen: mm	Ⓐ	1.035	1.280
	Ⓑ	503	503
	Ⓒ	485	518
	Ⓓ	895	1.140
	Ⓔ	303	303
	Ⓕ	418	468
	Ⓖ	146	146
	Ⓗ	120	130
	Ⓘ	272	340
Gewicht:		35 kg	52 kg

Änderungen, die dem technischen Fortschritt dienen, bleiben vorbehalten.

Installieren des mittleren Lautsprechers (nur bei Heimkinoanlagen)

Der mittlere Lautsprecher SS-CT71/CNP2200 ist für die folgenden Heimkinoanlagen geeignet:

DAV-HDX665	HT-SF2000
DAV-HDX466	HT-SF1200
DAV-HDX465	HT-SF1100
DAV-HDX267W	DAV-DZ750K
DAV-HDX266	DAV-DZ630
DAV-HDX265	DAV-DZ556KB
DAV-HDZ235	DAV-DZ555K
	DAV-DZ555M
	DAV-DZ530
	DAV-DZ250KW
	DAV-DZ250K
	DAV-DZ250M
	DAV-DZ231
	DAV-DZ230
	DAV-DZ151KB
	DAV-DZ150K

Der mittlere Lautsprecher SS-CT72/CT74 ist für die folgenden Heimkinoanlagen geeignet:

DAV-HDX900W	DAV-DZ1000
DAV-HDX501W	DAV-DZ850KW
DAV-HDX500	DAV-DZ850M
	DAV-DZ830W
	DAV-DZ531W

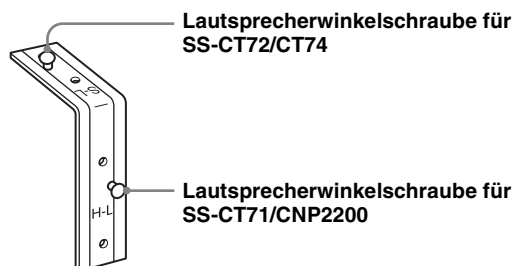
Hinweise

- Die Produkte oben unterliegen unangekündigten Änderungen oder sind möglicherweise nicht mehr vorrätig oder Auslaufmodelle.
- Bestimmte Modelle sind möglicherweise in einigen Regionen nicht erhältlich.

Vor dem Anbringen des Lautsprecherwinkels:

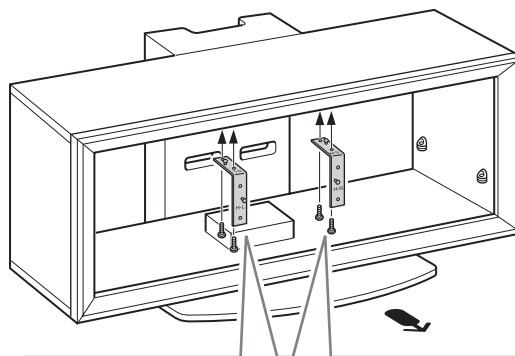
Beim SS-CT71/CNP2200 müssen die Markierungen H-L/H-R nach vorne weisen. (H-L ist für die linke, H-R für die rechte Seite.)

Beim SS-CT72/CT74 müssen die Markierungen S-L/S-R nach vorne weisen. (S-L ist für die linke, S-R für die rechte Seite.)

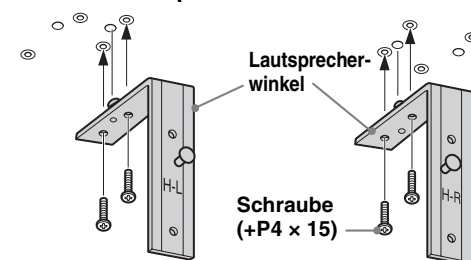


1 Bringen Sie den Lautsprecherwinkel an.

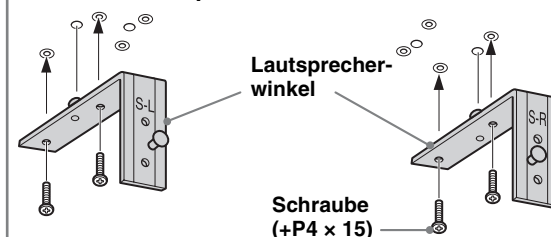
Befestigen Sie die beiden Lautsprecherwinkel mit den mitgelieferten Schrauben (+P4 × 15) (je zwei Schrauben links/rechts) an der Unterseite der Deckplatte.



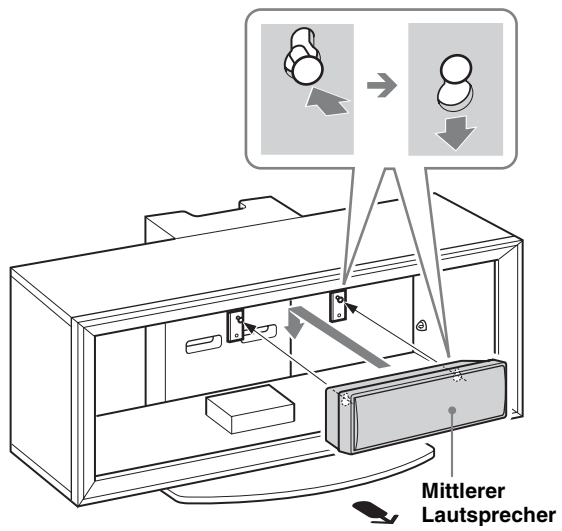
Mittlerer Lautsprecher: SS-CT71/CNP2200



Mittlerer Lautsprecher: SS-CT72/CT74



2 Hängen Sie den mittleren Lautsprecher wie in der Abbildung dargestellt in die Winkelschrauben ein.



Complimenti per l'acquisto del presente prodotto.

Per i clienti

L'installazione del presente prodotto deve essere eseguita esclusivamente dal personale Sony qualificato, poiché richiede la presenza di almeno due persone, particolare attenzione, il rispetto delle norme di sicurezza e competenza.

ATTENZIONE

In caso di mancata osservanza delle precauzioni di sicurezza o di uso errato del prodotto, è possibile che si verifichino ferite gravi o incendi.

Nel presente manuale delle istruzioni, vengono descritte le modalità d'uso del prodotto e importanti precauzioni necessarie per evitare incidenti. Assicurarsi di leggere attentamente il presente manuale e di utilizzare il prodotto in modo corretto. Conservare il presente manuale per eventuali riferimenti futuri.

Per gli installatori Sony

L'installazione del televisore richiede la presenza di almeno due persone, particolare attenzione e competenza. Durante l'installazione del televisore, consultare attentamente il presente manuale. Sony non può essere ritenuta responsabile per eventuali incidenti o danni causati da un uso o un'installazione errati. Dopo l'installazione, consegnare il presente manuale al cliente.

Informazioni sulla sicurezza

Sebbene i prodotti Sony siano progettati per essere sicuri, se il prodotto viene utilizzato in modo errato potrebbero verificarsi ferite gravi dovute a incendi, scosse elettriche, al capovolgimento o alla caduta del prodotto stesso. Per evitare incidenti, assicurarsi di osservare le precauzioni per la sicurezza.

AVVERTIMENTO

Prodotti specificati

I seguenti prodotti sono soggetti a modifiche senza preavviso. Alcuni modelli potrebbero esaurirsi o andare fuori produzione, oppure potrebbero non essere disponibili in determinate regioni.

	Televisore a colori LCD	
SU-FL300M	KDL-46W3500	KDL-40D2600
	KDL-46W3100	KLV-40W300A
	KDL-46W3000	KLV-40V300A
	KDL-46V3100	KLV-40D300A
	KDL-46V3000	KDL-37S3100
	KDL-46VL130	KLV-37S310A
	KDL-46S3000	KDL-32XBR4
	KDL-46D3550	KDL-32V3100
	KDL-46D3500	KDL-32T3000
	KDL-46D3000	KDL-32T2800
	KLV-46W300A	KDL-32T2600
	KLV-46V300A	KDL-32S3100
	KLV-46D300A	KDL-32S3000
	KDL-40W3500	KDL-32SL130
	KDL-40W3100	KDL-32D3100
	KDL-40W3000	KDL-32D3010
	KDL-40V3100	KDL-32D3000
	KDL-40V3000	KDL-32D2810
	KDL-40VL130	KDL-32D2710
	KDL-40T3000	KDL-32D2600
	KDL-40T2800	KLV-32V300A
	KDL-40T2600	KLV-32S310A
	KDL-40S3000	KLV-32D300A
	KDL-40SL130	
	KDL-40D3550	
	KDL-40D3500	
	KDL-40D3100	
	KDL-40D3010	
	KDL-40D3000	
	KDL-40D2810	
	KDL-40D2710	
	SU-FL300L	KDL-52W3000
KDL-52WL130		
KDL-46W3000		
KDL-46V3000		
KDL-46VL130		
	KDL-46S3000	

Il presente supporto per televisore è stato progettato per essere utilizzato con i prodotti specificati sopra. Per altri tipi di televisori, consultare i rispettivi manuali d'uso per verificare se è possibile utilizzare il presente supporto. Insieme ad alcuni televisori viene fornito un opuscolo che illustra come installare il supporto del televisore.

ATTENZIONE

Se le precauzioni riportate di seguito non vengono rispettate, è possibile procurarsi ferite gravi o mortali a causa di incendi o scosse elettriche oppure in seguito al capovolgimento del prodotto.

L'installazione dei prodotti deve essere eseguita esclusivamente da personale Sony qualificato.

Il televisore e il suo supporto sono molto pesanti, pertanto se l'installazione viene effettuata da persone non qualificate potrebbero verificarsi lesioni gravi.

Assicurarsi di prendere le dovute precauzioni in modo che il supporto per televisore non si capovolga.

Diversamente, è possibile che il televisore si capovolga causando ferite.

Fissare saldamente il televisore a una parete o simili onde evitare che si capovolga.

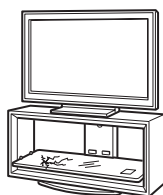
Assicurarsi di installare il supporto per televisore su un pavimento solido e piano.

Non installare il supporto del televisore in modo che penda da un lato, onde evitare che il supporto stesso si capovolga o che il televisore cada provocando ferite a persone o danni. Se il supporto per televisore viene installato su una superficie morbida quale un tappeto, prima appoggiarvi sopra un pannello.

Non utilizzare un supporto per televisore danneggiato.

Non utilizzare il supporto per televisore se presenta delle incrinature. Il vetro potrebbe rompersi facendo rovesciare il televisore, provocando così lesioni gravi o danni.

Supporto per televisore incrinato



Non appoggiarsi né aggrapparsi al televisore.

Il supporto per televisore potrebbe capovolgersi, oppure il televisore potrebbe cadere causando ferite gravi o mortali.



Impedire ai bambini di salire sul supporto per televisore o di arrampicarsi sui ripiani.

Se i bambini si arrampicano sul supporto del televisore o giocano tra i ripiani, potrebbero subire lesioni gravi o mortali causate dalla rottura del vetro o dal rovesciamento del supporto e del televisore stesso.



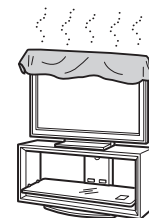
Non salire sul supporto per televisore.

Si potrebbe cadere oppure rompere il vetro e provocare delle lesioni.



Non ostruire le prese di ventilazione del televisore.

Se le prese di ventilazione vengono coperte, ad esempio con un panno e simili, il televisore potrebbe surriscaldarsi provocando incendi.



Evitare che il cavo di alimentazione o il cavo di collegamento rimangano incastrati.

- Durante l'installazione del televisore sul supporto per televisore, evitare che il cavo di alimentazione o il cavo di collegamento rimangano incastrati. Se tali cavi vengono danneggiati, è possibile che si verifichino incendi o scosse elettriche.
- Durante il trasporto del supporto per televisore, non camminare sul cavo di alimentazione o sul cavo di collegamento. Diversamente, tali cavi potrebbero danneggiarsi e causare incendi o scosse elettriche.



Non spostare il supporto per televisore quando il televisore è collegato o in presenza di dispositivi collegati all'interno.

Se si sposta il supporto per televisore insieme al televisore, si potrebbero subire lesioni alla schiena, oppure il supporto per televisore potrebbe rovesciarsi e provocare gravi lesioni. Anche i dispositivi collegati all'interno potrebbero cadere provocando la rottura del ripiano in vetro o altri danni a oggetti.



AVVERTIMENTO

Se le precauzioni riportate di seguito non vengono rispettate, è possibile causare ferite o danni a oggetti.

Non installare apparecchi diversi da quelli specificati.

- Il presente supporto per televisore è stato progettato per essere utilizzato esclusivamente con i prodotti specificati. Se vengono installati apparecchi diversi da quelli specificati, è possibile che cadano o si rompano, causando ferite.
- Non collocare oggetti quali vasi, ceramiche e così via sul supporto per televisore.
- Non apportare modifiche al supporto per televisore.
- Non collocare oggetti caldi sul supporto per televisore. Il calore potrebbe provocare lo scolorimento o la deformazione del supporto per televisore.
- Non collocare sul supporto per televisore oggetti che potrebbero danneggiare il vetro.

Assicurarsi di fissare saldamente il televisore.

Fissare il televisore al supporto per televisore utilizzando i dispositivi di ancoraggio in dotazione. Se il televisore non viene installato in modo saldo, è possibile che cada oppure che il supporto per televisore si capovolga causando ferite.

Non applicare pressione eccessiva sul vetro, né sottoporlo ad urti di alcun genere.

Durante l'installazione del televisore, non applicare pressione eccessiva sul supporto per televisore con le mani. Non colpire il supporto per televisore con oggetti quali un cacciavite e simili, onde evitare che il vetro si rompa causando ferite.

Durante il trasporto del supporto per televisore

Se il supporto per televisore viene spostato da una sola persona o senza osservare le procedure corrette, è possibile procurarsi ferite. Per evitare tale problema, assicurarsi di seguire le precauzioni riportate di seguito.

- Assicurarsi che il supporto per televisore venga trasportato da almeno due persone e solo dopo avere rimosso il televisore, i dispositivi collegati e i ripiani in vetro.
- Non trascinare il supporto per televisore. Le parti di base del supporto per televisore potrebbero staccarsi e danneggiare il pavimento.
- Prestare attenzione a non schiacciarsi le mani o i piedi sotto il ripiano di base.
- Durante il trasporto del supporto per televisore, non afferrare il ripiano di vetro.

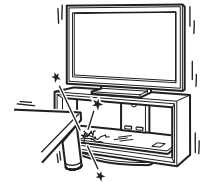
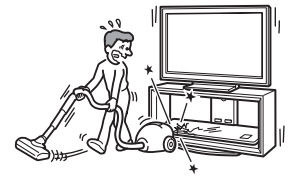
Non sottoporre il vetro ad urti eccessivi.

Sebbene il presente supporto per televisore sia costruito in vetro temperato, occorre maneggiarlo con cura.

Se il vetro si rompe, i frammenti potrebbero causare ferite.

Osservare pertanto le precauzioni riportate di seguito.

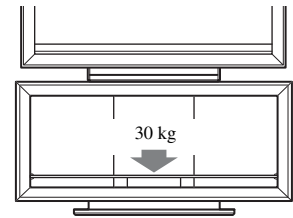
- Non colpire il vetro né lasciarvi cadere sopra oggetti appuntiti. Evitare urti eccessivi.
- Non graffiare né colpire il vetro con oggetti appuntiti.
- Non urtare gli spigoli del vetro con oggetti pesanti, quale un aspirapolvere.



Nota sulla capacità di carico

Non collocare dispositivi che superino il peso massimo di ogni ripiano, come indicato nell'illustrazione.

Diversamente, i ripiani potrebbero rompersi.



Note sull'installazione

- Durante il montaggio, stendere il materiale di imballaggio sul pavimento per evitare danni al pavimento stesso.
- Installare il supporto per televisore su un pavimento solido e piano. Non installare il supporto per televisore in posizione angolata o in pendenza. Onde evitare quanto riportato sopra, osservare le seguenti precauzioni.
 - Non installare il supporto per televisore in luoghi soggetti a luce solare diretta o in prossimità di impianti di riscaldamento.
 - Non installare il supporto per televisore in luoghi soggetti a temperature elevate o umidi né in esterni.

Nota sull'uso

Per mantenere pulito il supporto per televisore, pulirlo periodicamente con un panno morbido asciutto. Rimuovere le macchie persistenti strofinando con un panno leggermente inumidito con un detergente delicato. Subito dopo, asciugare l'area con un panno morbido e asciutto. Non utilizzare sostanze chimiche, quali solventi o benzene, onde evitare di danneggiare la finitura del supporto per televisore.

Per gli installatori Sony

Assicurarsi di leggere attentamente le precauzioni per la sicurezza precedentemente descritte e di prestare particolare attenzione durante l'installazione, la manutenzione, i controlli e le riparazioni del presente prodotto.

Assicurarsi che l'installazione venga eseguita da almeno due persone.

Assicurarsi che l'installazione del televisore sul supporto per televisore venga eseguita da almeno due persone. Se l'installazione viene eseguita da una sola persona, è possibile causare incidenti o ferite. Assicurarsi che durante l'installazione non vi siano bambini presenti.

Assicurarsi che il supporto per televisore venga montato saldamente seguendo le istruzioni.

Se una vite non viene serrata in modo sicuro o cade, il supporto per televisore potrebbe rovesciarsi provocando ferite a persone o danni.



Prestare attenzione a non ferirsi le mani o le dita durante il montaggio.

Prestare attenzione a non schiacciarsi le mani o le dita durante il montaggio del supporto per televisore e l'installazione del televisore.

Assicurarsi che il televisore venga installato saldamente seguendo le istruzioni.

Serrare saldamente le viti. Se il televisore non viene fissato correttamente, è possibile che cada causando ferite.

Punto 1: Verifica dei componenti

Nome		Quantità
Ripiano superiore		1
Ripiano di base		1
Sostegno laterale (L)* ¹		1
Sostegno laterale (R)* ¹		1
Sostegno posteriore		1
Pannello frontale		1
Ripiano in vetro		1
Vite (+PWH5 × 25)		a* ⁴ 8
Vite (+K4 × 20) + Manicotto		b* ⁴ 2
Tassello		c* ⁴ 4
Vite (+P4 × 15)		d* ⁴ 4
Dispositivo di ancoraggio		e* ⁴ 2
Coprivite		f* ⁴ 3
Cinghia di sostegno		g* ⁴ 1
Vite (M6 × 18)		
Vite da legno (M3,8 × 20)		
Staffa del diffusore (L)		1
Staffa del diffusore (R)		1
Modello in carta		4* ²
		3* ³
Nastro		1

*¹ Le illustrazioni precedenti sono per il modello SU-FL300M. Vi sono differenze rispetto al modello SU-FL300L. Per il SU-FL300L vi sono due incavi sul lato sostegno laterale.

*² Per il SU-FL300M, sono forniti quattro modelli in carta.

*³ Per il SU-FL300L, sono forniti tre modelli in carta.

*⁴ I sacchetti contenenti le parti sono etichettati in ordine alfabetico.

Prima di procedere al montaggio, assicurarsi di disporre di un cacciavite Phillips compatibile con le viti di cui sopra.

Punto 2: Montaggio del supporto per televisore

ATTENZIONE

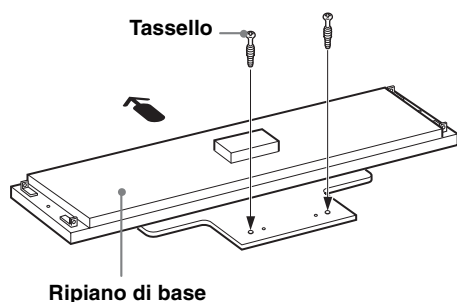
Se il cavo di alimentazione rimane incastrato sotto o tra le parti dell'apparecchio, è possibile che si verifichino cortocircuiti o scosse elettriche. Prestare attenzione a non inciampare nel cavo di alimentazione o nel cavo di collegamento, onde evitare che il supporto per televisore si capovolga o causi ferite.

Stabilire la posizione di installazione e collocarvi il supporto per televisore prima di installare il televisore.

Poiché il televisore è pesante, si consiglia di stabilire in anticipo la posizione di installazione e di montare il supporto per televisore direttamente sul posto.

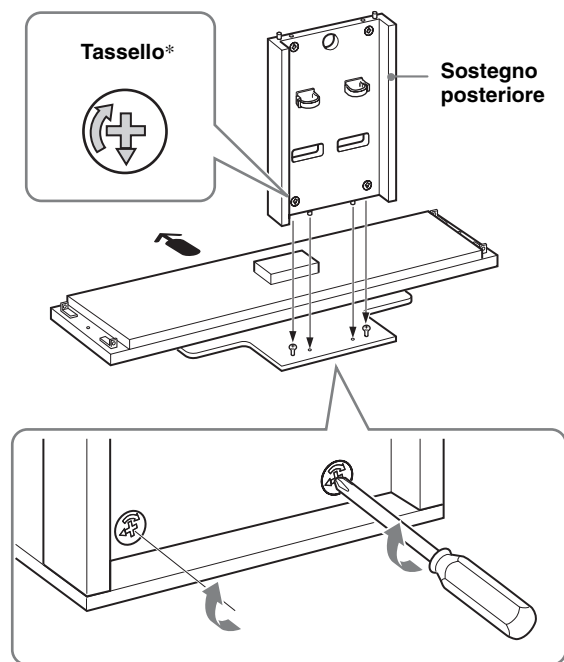
1 Fissare il sostegno posteriore al ripiano di base.

- Stringere i due tasselli in dotazione al ripiano di base.



← La direzione della freccia indica la parte anteriore del supporto per televisore.

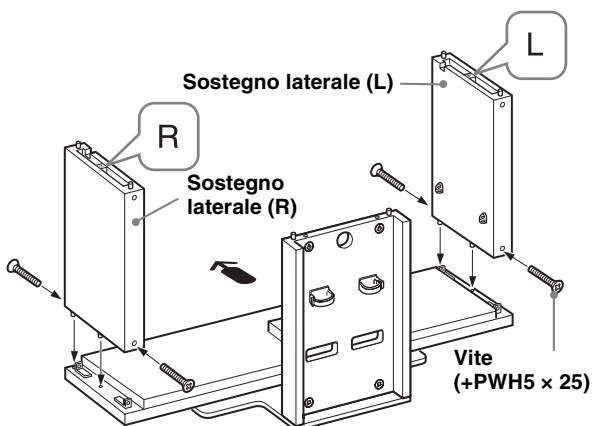
- Fissare il sostegno posteriore al ripiano di base e stringere i due tasselli con un cacciavite.



* Prima di fissare il sostegno posteriore, accertarsi che il segno ▽ sia rivolto verso il basso.

2 Fissare i sostegni laterali al ripiano di base.

Fissare i sostegni laterali al ripiano di base mediante le quattro viti in dotazione (+PWH5 × 25).

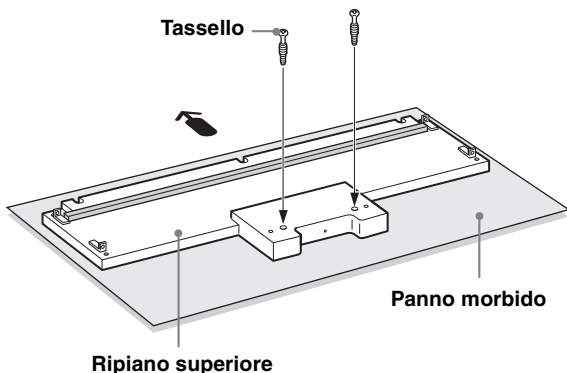


Nota

I sostegni laterali sinistro e destro sono diversi. Assicurarsi di installare ciascun sostegno laterale sul lato corretto.

3 Installazione del ripiano superiore.

- 1 Stringere i due tasselli in dotazione al ripiano superiore.

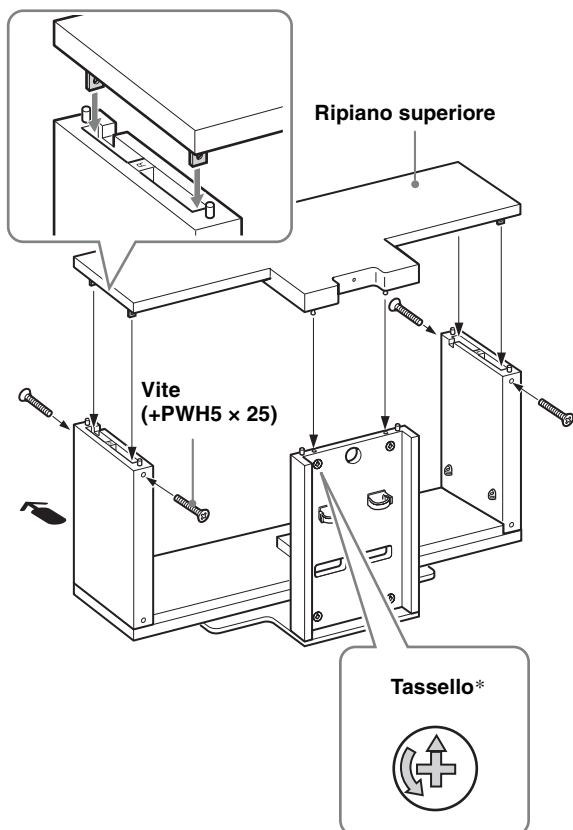


L'illustrazione precedente è relativa al modello SU-FL300M, come esempio. Per il SU-FL300L vi sono due barre di rinforzo sul ripiano superiore.

Nota

Per evitare danni alla superficie lucida del ripiano superiore, pulire la superficie di lavoro e disporre su di esso un panno morbido.

- 2 Allineare e inserire le staffe di fissaggio su entrambi i lati del ripiano superiore all'interno dei sostegni laterali.
- 3 Fissare i sostegni laterali mediante le quattro viti in dotazione (+PWH5 x 25), quindi fissare i due tasselli rimanenti sul lato posteriore del sostegno posteriore.



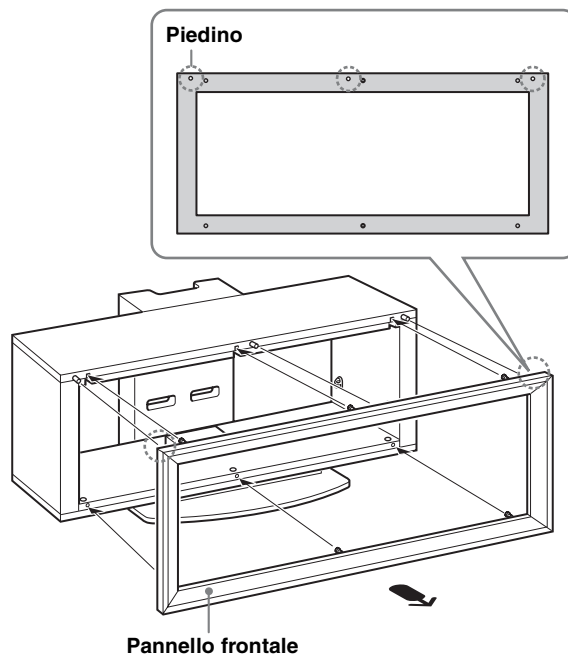
* Prima di fissare il ripiano superiore, accertarsi che il segno Δ sia rivolto verso l'alto.

Nota

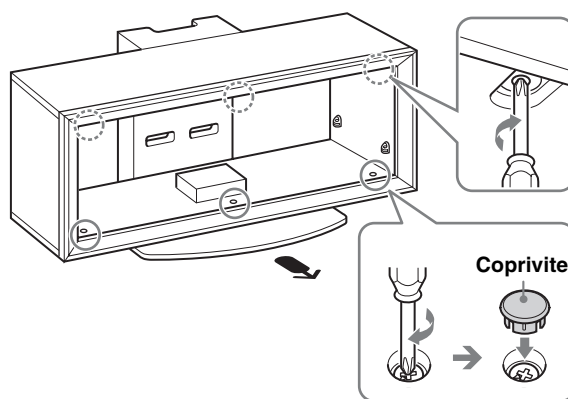
Prestare attenzione a non schiacciarsi le dita durante il fissaggio del ripiano superiore.

4 Fissare il pannello frontale al supporto per televisore.

- 1 Allineare i tre piedini del supporto per televisore con i tre fori del pannello frontale.



- 2 Ruotare i sei tasselli sul ripiano superiore e sul ripiano di base in senso orario. Quindi, fissare i tre coprivite in dotazione sulle tre viti inferiori.



Nota

Assicurarsi di fissare il pannello frontale nella direzione corretta.

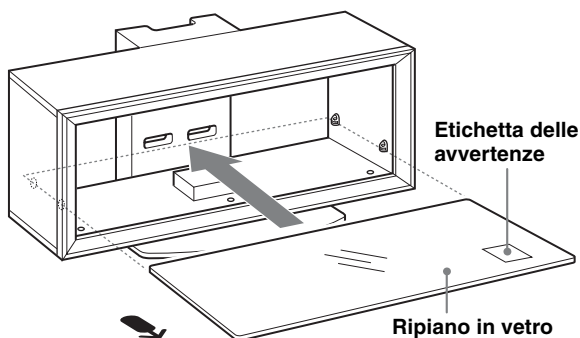
(continua)

7 (IT)

5 Montare il ripiano in vetro.

Se si collega il sistema Home Theatre al supporto, fissare innanzitutto i staffa del diffusori. (fare riferimento a “Installazione del diffusore centrale (solo per sistemi di Home Theatre)” a pagina 13).

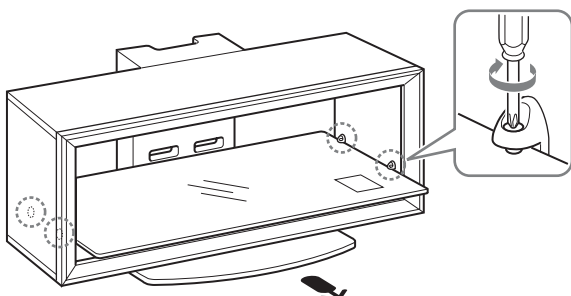
- 1 Inserire completamente il ripiano in vetro fino a toccare il sostegno posteriore.



Nota

Fissare il ripiano in vetro sul supporto per televisore tenendo l'etichetta delle avvertenze rivolta verso la parte anteriore destra, come illustrato.

- 2 Serrare le quattro viti sui sostegni laterali per fissare il ripiano in vetro sul supporto per televisore.



Punto 3: Preparazione all'installazione del televisore

1 Applicare i manicotti al ripiano superiore.

Applicare i manicotti con le viti in dotazione (+K4 x 20).

Per i modelli non specificati a pagina 2:

Utilizzare i fori anteriori.

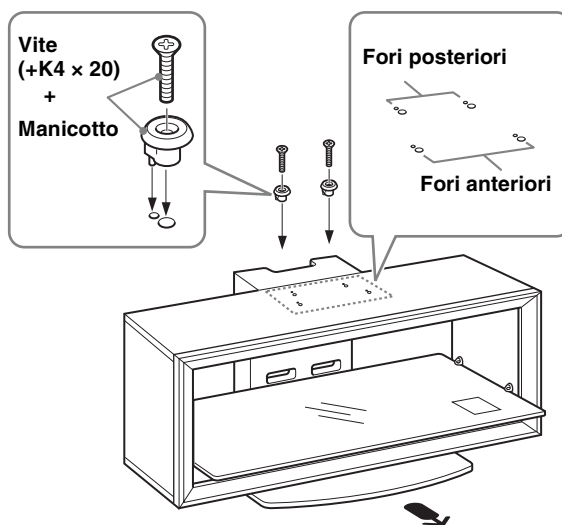
Per i modelli specificati a pagina 2:

Per i modelli con piattaforma girevole*, utilizzare i fori posteriori; per i modelli senza piattaforma girevole, utilizzare i fori anteriori.

Nota

Verificare le istruzioni d'uso del televisore per verificare se è possibile utilizzare la piattaforma girevole.

* La piattaforma girevole permette di regolare l'angolo di visione del televisore (a destra e sinistra).



2 Incollare il modello in carta in dotazione sul ripiano superiore.

- 1 Scegliere il modello in carta in dotazione e allineare i lati dell'angolo destro del modello con l'angolo destro del ripiano superiore.

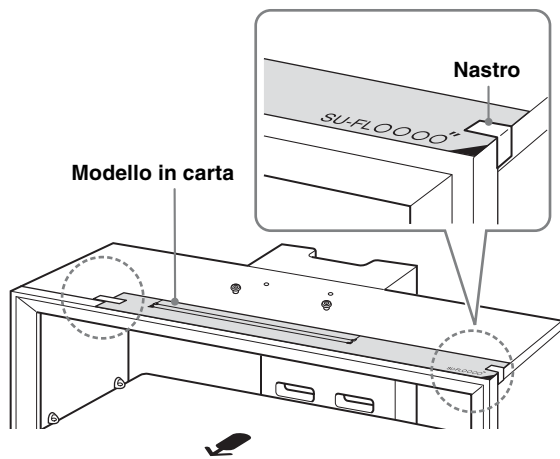
Per i modelli non specificati a pagina 2:

Fare riferimento all'opuscolo fornito con il televisore, scegliere il modello in carta corrispondente al televisore in uso.

Per i modelli specificati a pagina 2:

Scegliere il modello in carta in stampa nera corrispondente alle dimensioni dello schermo del televisore in uso.

- 2 Fissare il modello sul ripiano superiore mediante il nastro in dotazione.



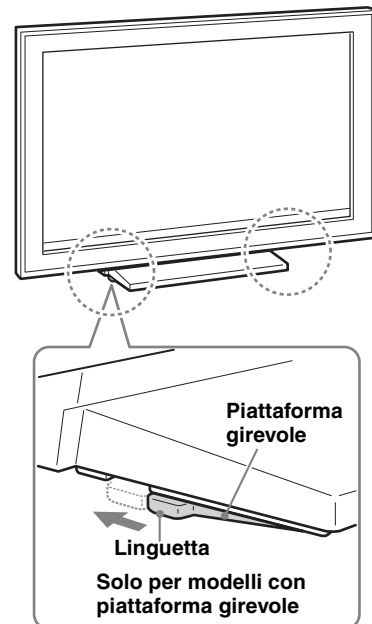
Punto 4: Installazione del televisore

Collegare il televisore al supporto da tavolo se non è già stato fatto.

Solo per i modelli con piattaforma girevole specificati a pagina 2, seguire la procedura della parte 1, Punto 4.

1 Regolare al centro la posizione della piattaforma girevole (Solo per modelli con piattaforma girevole).

Prima di installare il televisore allineare la linguetta della piattaforma girevole con la tacca presente sul supporto da tavolo.



ATTENZIONE

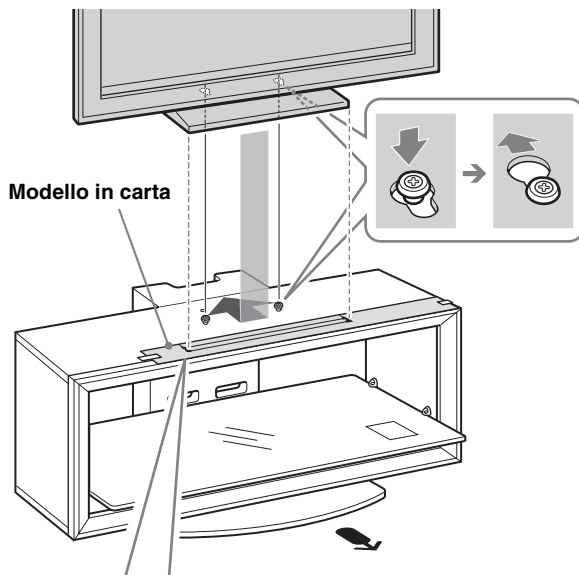
Se la piattaforma girevole non è regolata correttamente il televisore non sarà fissato stabilmente e potrebbe cadere.

(continua)

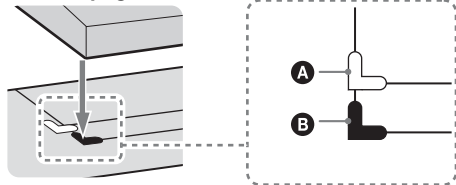
9 (IT)

2 Disporre il televisore sul supporto per televisore.

- 1 Far corrispondere il contorno del supporto da tavolo con il contorno delle dimensioni dello schermo del televisore e con i segni di angolo sul modello in carta, in modo tale che i fori sul fondo del supporto da tavolo siano allineati con i manicotti installati nella parte 1, Punto 3.
- 2 Fare scorrere indietro il televisore, in modo da fissarlo nella sua sede.
- 3 Rimuovere il modello in carta dal ripiano superiore.



Solo per i modelli con piattaforma girevole specificati a pagina 2



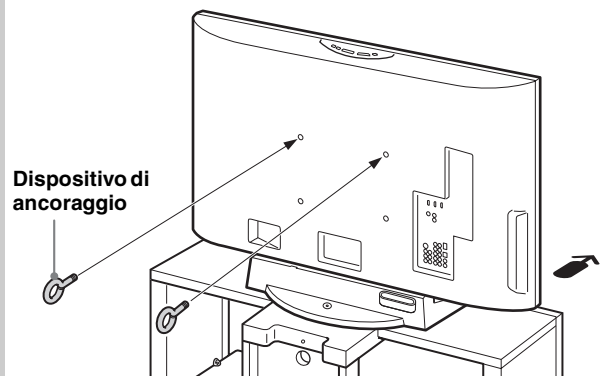
- A Il segno di angolo bianco è per i modelli con piattaforma girevole.
- B Il segno di angolo nero è per i modelli senza piattaforma girevole.

Nota

Per i televisori da 37/40 pollici, per piattaforma girevole o no, allineare il supporto da tavolo al segno di angolo nero. (sul modello in carta per 37/40 pollici non è riportato il segno di angolo bianco).

3 Fissare i dispositivi di ancoraggio.

Fissare i due dispositivi di ancoraggio in dotazione al retro del televisore.



Nota

Il televisore potrebbe cadere, provocando lesioni personali, se non si utilizzano i due dispositivi di ancoraggio per fissare il televisore.

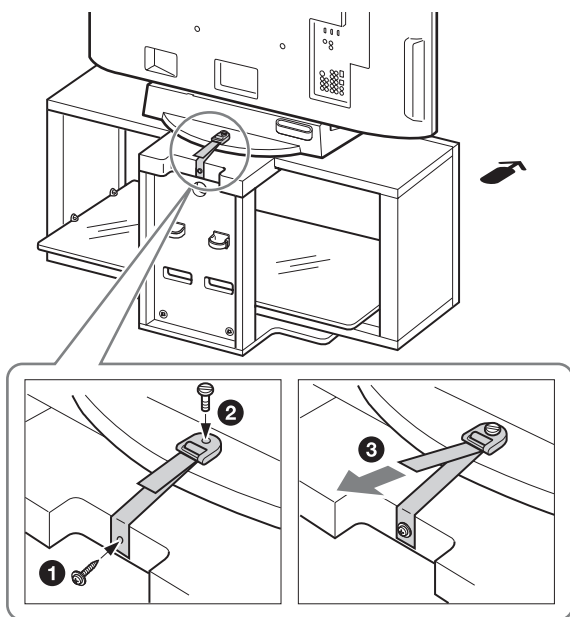
Punto 5: Misure di sicurezza per evitare che il supporto si capovolga

ATTENZIONE

Assicurarsi di prendere le dovute precauzioni in modo che il supporto per televisore non si capovolga provocando eventuali lesioni e danni.

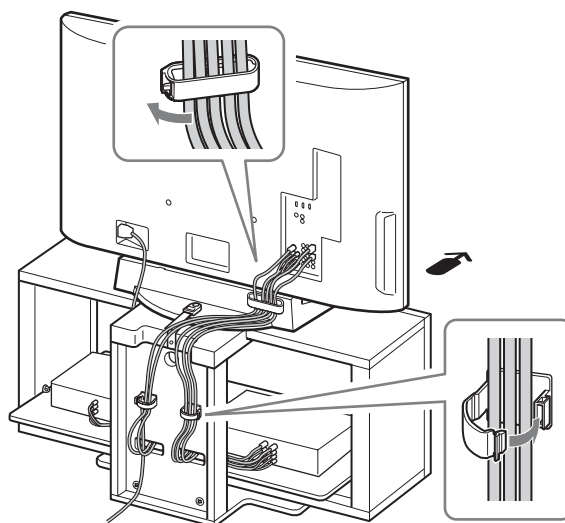
1 Fissare la cinghia di sostegno.

- 1 Avvitare la cinghia di sostegno al supporto del televisore con la vite da legno in dotazione servendosi di un cacciavite.
- 2 Fissare la cinghia di sostegno al supporto da tavolo e avvitare la cinghia con le viti di fissaggio in dotazione usando una moneta, ecc.
- 3 Regolare la lunghezza stringendo la cinghia di sostegno, sostenendo il supporto da tavolo.



2 Collegare i cavi.

Passare i cavi attraverso i fermacavi e i fori sul sostegno posteriore.



Nota

Se i cavi non sono installati correttamente possono essere pizzicati e danneggiati, e potrebbero generare scosse elettriche.

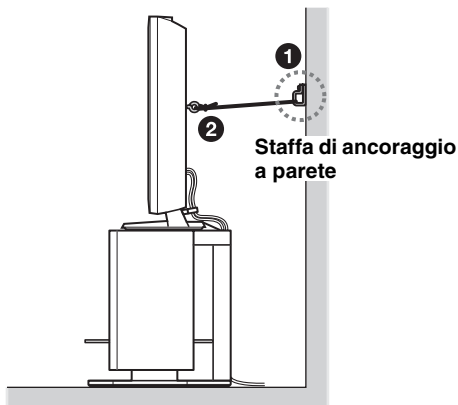
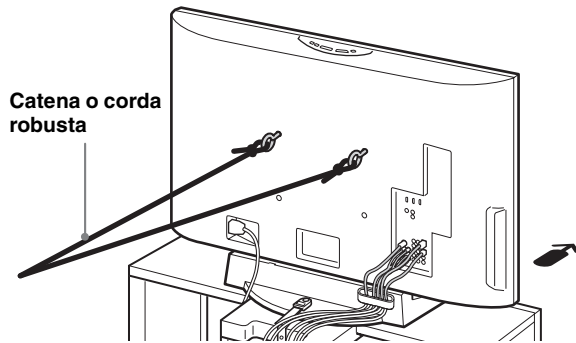
(continua)

11 (IT)

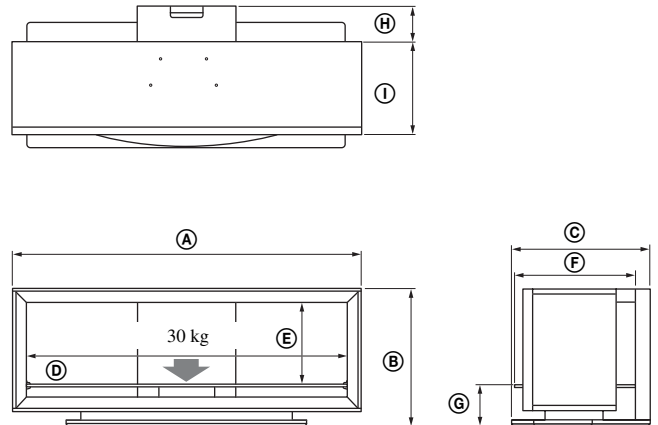
3 Fissare il televisore alla parete.

A questo scopo, preparare una catena o una corda robusta del tipo disponibile in commercio e una staffa di ancoraggio a parete.

- ❶ Fissare la staffa di ancoraggio a parete a una parete robusta.
- ❷ Inserire la corda o la catena in entrambi i fori dei dispositivi di ancoraggio, quindi serrare l'altro capo della corda o della catena alla staffa di ancoraggio a parete.



Caratteristiche tecniche



Nota sulla capacità di carico

Non collocare sul ripiano in vetro dispositivi il cui peso superi il peso massimo consentito del ripiano, poiché potrebbe rompersi provocando lesioni.

		SU-FL300M	SU-FL300L
Dimensioni: mm	Ⓐ	1.035	1.280
	Ⓑ	503	503
	Ⓒ	485	518
	Ⓓ	895	1.140
	Ⓔ	303	303
	Ⓕ	418	468
	Ⓖ	146	146
	Ⓗ	120	130
	Ⓘ	272	340
Peso:		35 kg	52 kg

Il design e le caratteristiche tecniche sono soggetti a modifiche senza preavviso.

Installazione del diffusore centrale (solo per sistemi di Home Theatre)

Il diffusore centrale, modello SS-CT71/CNP2200, è previsto per i seguenti modelli Home Theatre System:

DAV-HDX665	HT-SF2000
DAV-HDX466	HT-SF1200
DAV-HDX465	HT-SF1100
DAV-HDX267W	DAV-DZ750K
DAV-HDX266	DAV-DZ630
DAV-HDX265	DAV-DZ556KB
DAV-HDZ235	DAV-DZ555K
	DAV-DZ555M
	DAV-DZ530
	DAV-DZ250KW
	DAV-DZ250K
	DAV-DZ250M
	DAV-DZ231
	DAV-DZ230
	DAV-DZ151KB
	DAV-DZ150K

Il diffusore centrale, modello SS-CT72/CT74, è previsto per i seguenti modelli di Home Theatre System:

DAV-HDX900W	DAV-DZ1000
DAV-HDX501W	DAV-DZ850KW
DAV-HDX500	DAV-DZ850M
	DAV-DZ830W
	DAV-DZ531W

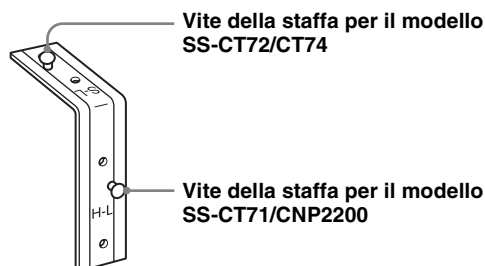
Note

- I prodotti sopra elencati sono soggetti a modifiche senza preavviso e potrebbero esaurirsi o andare fuori produzione.
- Alcuni modelli possono non essere disponibili in alcune regioni.

Prima di fissare la staffa del diffusore:

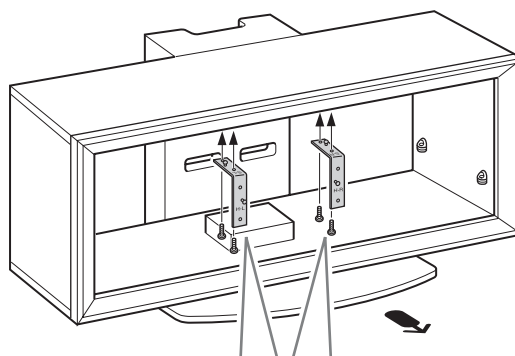
Per il modello SS-CT71/CNP2200, i segni H-L/H-R devono essere rivolti in avanti (H-L significa lato sinistro, H-R lato destro).

Per il modello SS-CT72/CT74, i segni S-L/S-R devono essere rivolti in avanti (S-L significa lato sinistro, S-R lato destro).

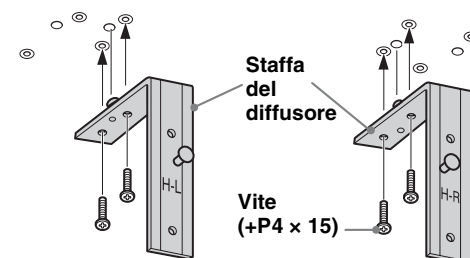


1 Fissare la staffa del diffusore.

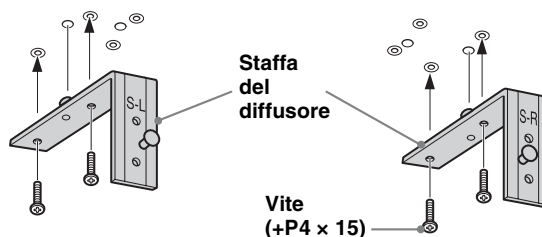
Fissare entrambe le staffe del diffusore con le viti in dotazione (+P4 x 15) (due viti su ciascun lato, destra/sinistra), al di sotto del ripiano superiore.



Diffusore centrale: SS-CT71/CNP2200



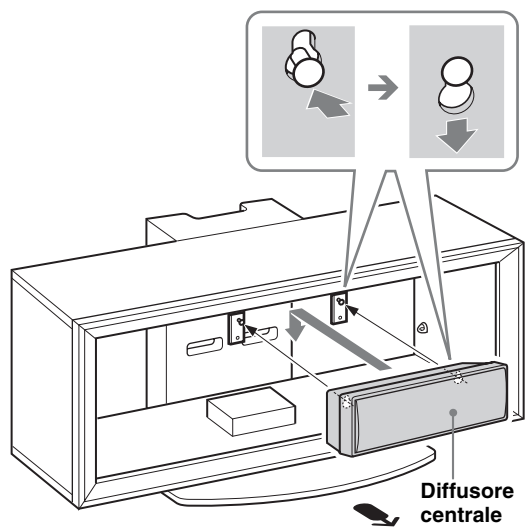
Diffusore centrale: SS-CT72/CT74



(continua)

13 (IT)

2 Appendere il diffusore centrale sulle viti delle staffe, come illustrato.



Σας ευχαριστούμε που αγοράσατε αυτό το προϊόν.

Για τους πελάτες

Το προϊόν αυτό πρέπει να τοποθετηθεί μόνο από εκπαιδευμένους αντιπρόσωπους σέρβις της Sony καθώς απαιτούνται δύο ή περισσότερα άτομα, ιδιαίτερη προσοχή, ασφάλεια και τεχνική.

ΠΡΟΕΙΔΟΠΟΙΗΣΗ

Εάν δεν ληφθούν οι προφυλάξεις για την ασφάλεια ή το προϊόν χρησιμοποιηθεί με λανθασμένο τρόπο, ενδέχεται να προκληθεί σοβαρός τραυματισμός ή πυρκαγιά.

Στο παρόν εγχειρίδιο οδηγιών παρουσιάζεται ο σωστός τρόπος χειρισμού του προϊόντος, καθώς και σημαντικές προφυλάξεις, οι οποίες είναι απαραίτητες για την αποφυγή ατυχημάτων. Διαβάστε προσεκτικά το εγχειρίδιο αυτό και χρησιμοποιήστε σωστά το προϊόν. Φυλάξτε το παρόν εγχειρίδιο για μελλοντική χρήση.

Για τους αντιπρόσωπους της Sony

Η εγκατάσταση της τηλεόρασης απαιτεί δύο ή περισσότερα άτομα, ιδιαίτερη προσοχή και τεχνική. Κατά την τοποθέτηση της τηλεόρασης, ανατρέξτε στο παρόν εγχειρίδιο, ακολουθώντας προσεκτικά τις οδηγίες. Η Sony δεν αναλαμβάνει καμία ευθύνη για τυχόν ατύχημα ή ζημιά που ενδέχεται να προκληθεί από λανθασμένους χειρισμούς ή μη κατάλληλη τοποθέτηση. Μετά την τοποθέτηση, παρακαλούμε να παραδώσετε το παρόν εγχειρίδιο οδηγιών στους πελάτες.

Ασφάλεια

Τα προϊόντα της Sony σχεδιάζονται με γνώμονα την ασφάλεια. Λανθασμένος χειρισμός ενδέχεται να προκαλέσει σοβαρό τραυματισμό λόγω πυρκαγιάς, ηλεκτροπληξίας, ανατροπής ή πτώσης του προϊόντος. Για να αποφύγετε τέτοιου είδους ατυχήματα, βεβαιωθείτε ότι λαμβάνονται οι προφυλάξεις ασφάλειας.

ΠΡΟΣΟΧΗ

Συμβατά προϊόντα

Τα παρακάτω προϊόντα ενδέχεται να αλλάξουν χωρίς προειδοποίηση. Μερικά μοντέλα ενδέχεται να μην είναι διαθέσιμα ή να έχει διακοπεί η παραγωγή τους ή να μην διατίθενται σε ορισμένες περιοχές.

	Έγχρωμη τηλεόραση LCD	
SU-FL300M	KDL-46W3500	KDL-40D2600
	KDL-46W3100	KLV-40W300A
	KDL-46W3000	KLV-40V300A
	KDL-46V3100	KLV-40D300A
	KDL-46V3000	KDL-37S3100
	KDL-46VL130	KLV-37S310A
	KDL-46S3000	KDL-32XBR4
	KDL-46D3550	KDL-32V3100
	KDL-46D3500	KDL-32T3000
	KDL-46D3100	KDL-32T2800
	KDL-46D3010	KDL-32T2600
	KDL-46D3000	KDL-32S3100
	KLV-46W300A	KDL-32S3000
	KLV-46V300A	KDL-32SL130
	KLV-46D300A	KDL-32D3100
	KDL-40W3500	KDL-32D3010
	KDL-40W3100	KDL-32D3000
	KDL-40W3000	KDL-32D2810
	KDL-40V3100	KDL-32D2710
	KDL-40V3000	KDL-32D2600
	KDL-40VL130	KLV-32V300A
	KDL-40T3000	KLV-32S310A
	KDL-40T2800	KLV-32D300A
	KDL-40T2600	
	KDL-40S3000	
	KDL-40SL130	
KDL-40D3550		
KDL-40D3500		
KDL-40D3100		
KDL-40D3010		
KDL-40D3000		
KDL-40D2810		
KDL-40D2710		
SU-FL300L	KDL-52W3000	
	KDL-52WL130	
	KDL-46W3000	
	KDL-46V3000	
	KDL-46VL130	
	KDL-46S3000	

Η παρούσα βάση της τηλεόρασης έχει σχεδιαστεί για να χρησιμοποιείται μόνο με τα προϊόντα που καθορίζονται παραπάνω. Για τα υπόλοιπα μοντέλα τηλεοράσεων, ανατρέξτε στις οδηγίες χρήσης που τα συνοδεύουν προκειμένου να επιβεβαιώσετε ότι μπορεί να χρησιμοποιηθεί η παρούσα βάση της τηλεόρασης. Μερικές τηλεοράσεις συνοδεύονται από φυλλάδιο που εξηγεί πώς να εγκαταστήσετε τη βάση της τηλεόρασης.

ΠΡΟΕΙΔΟΠΟΙΗΣΗ

Εάν δεν ληφθούν οι ακόλουθες προφυλάξεις, ενδέχεται να προκληθεί σοβαρός τραυματισμός ή θάνατος λόγω πυρκαγιάς, ηλεκτροπληξίας ή ανατροπής του προϊόντος.

Τα προϊόντα πρέπει να τοποθετούνται μόνο από εκπαιδευμένους αντιπροσώπους σέρβις της Sony.

Το βάρος της τηλεόρασης και της βάσης της τηλεόρασης είναι πολύ μεγάλο και τυχόν τοποθέτηση από μη εκπαιδευμένο προσωπικό, ενδέχεται να προκαλέσει σοβαρό τραυματισμό.

Βεβαιωθείτε ότι έχετε λάβει τα απαραίτητα μέτρα ώστε να αποτραπεί η πτώση της βάσης της τηλεόρασης.

Σε αντίθετη περίπτωση, ενδέχεται να ανατραπεί η τηλεόραση με συνέπεια τραυματισμούς.

Πα να αποτρέψετε ενδεχόμενη ανατροπή της τηλεόρασης, στερεώστε την στον τοίχο, κ.λπ.

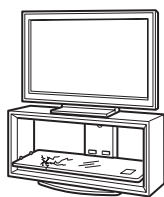
Τοποθετήστε τη βάση της τηλεόρασης σε στέρεο και επίπεδο δάπεδο.

Μην τοποθετείτε τη βάση της τηλεόρασης με τέτοιο τρόπο ώστε να κλίνει προς μία κατεύθυνση. Σε μια τέτοια περίπτωση, ενδέχεται να προκληθεί ανατροπή της βάσης της τηλεόρασης ή πτώση της τηλεόρασης. Κάτι τέτοιο ενδέχεται να προκαλέσει τραυματισμό ή βλάβη.

Εάν θέλετε να τοποθετήσετε τη βάση της τηλεόρασης πάνω σε μια μαλακή επιφάνεια πως σε χαλί ή μοκέτα, τοποθετήστε πρώτα στο συγκεκριμένο σημείο ένα πλατύ κομμάτι ξύλου.

Μην χρησιμοποιείτε ραγισμένη βάση τηλεόρασης.

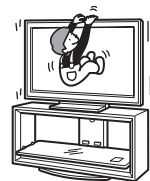
Μην χρησιμοποιείτε τη βάση της τηλεόρασης στην περίπτωση που έχει υποστεί ρωγμές. Ενδέχεται να σπάσει το γυαλί και να προκαλέσει ανατροπή της τηλεόρασης, με συνέπεια σοβαρό τραυματισμό ή ζημιά.



Ραγισμένη βάση της τηλεόρασης

Μην στηρίζετε και μη κρατιέστε από την τηλεόραση.

Αν τα παιδιά σκαρφαλώνουν στη βάση της τηλεόρασης ή μπαίνουν ανάμεσα στα ράφια, μπορεί να προκληθεί σοβαρός τραυματισμός ή θάνατος σε περίπτωση θραύσης του γυαλιού ή ανατροπής της βάσης και της τηλεόρασης.



Μην επιτρέπετε στα παιδιά να σκαρφαλώνουν στη βάση της τηλεόρασης ή να χώνονται ανάμεσα στα ράφια.

Αν τα παιδιά σκαρφαλώνουν στη βάση της τηλεόρασης ή μπαίνουν ανάμεσα στα ράφια, μπορεί να προκληθεί σοβαρός τραυματισμός ή θάνατος σε περίπτωση θραύσης του γυαλιού ή ανατροπής της βάσης της τηλεόρασης.



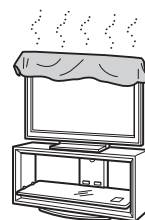
Μην πατάτε πάνω στη βάση της τηλεόρασης.

Μπορεί να πέσετε, ή να σπάσετε το γυαλί και να προκληθεί τραυματισμός.



Μην καλύπτετε τις τρύπες εξαερισμού της τηλεόρασης.

Εάν καλύψετε τις τρύπες εξαερισμού (με κάποιο πανί, κλπ.), ενδέχεται να αυξηθεί η θερμοκρασία στο εσωτερικό της οθόνης και να προκληθεί πυρκαγιά.



Αποφύγετε την άσκηση πιέσεων στο καλώδιο τροφοδοσίας ή στο καλώδιο σύνδεσης.

- Αποφύγετε την άσκηση πιέσεων στο καλώδιο τροφοδοσίας ή στο καλώδιο σύνδεσης κατά την τοποθέτηση της οθόνης επάνω στη βάση της τηλεόρασης. Σε περίπτωση καταστροφής του καλωδίου τροφοδοσίας ή του καλωδίου σύνδεσης, ενδέχεται να προκληθεί πυρκαγιά ή ηλεκτροπληξία.
- Κατά τη μεταφορά της βάσης της τηλεόρασης, μην πατάτε πάνω στο καλώδιο τροφοδοσίας ή στο καλώδιο σύνδεσης. Το καλώδιο τροφοδοσίας ή το καλώδιο σύνδεσης ενδέχεται να καταστραφούν, με συνέπεια την πρόκληση πυρκαγιάς ή ηλεκτροπληξίας.



(Συνεχίζεται)

Μην μετακινείτε τη βάση της τηλεόρασης με την τηλεόραση προσαρτημένη ή με συνδεδεμένο εξοπλισμό στο εσωτερικό.

Αν μετακινείτε τη βάση της τηλεόρασης με την τηλεόραση προσαρτημένη, ενδέχεται να βλάψετε την πλάτη σας ή η βάση της τηλεόρασης ενδέχεται να ανατραπεί και να προκαλέσει σοβαρό τραυματισμό. Επίσης, οποιοσδήποτε εξοπλισμός που είναι συνδεδεμένος στο εσωτερικό ενδέχεται να πέσει προκαλώντας θραύση του γυάλινου ραφιού ή άλλη ζημιά στην περιουσία σας.



ΠΡΟΣΟΧΗ

Εάν δεν ληφθούν οι ακόλουθες προφυλάξεις, ενδέχεται να προκληθούν τραυματισμοί ή υλικές ζημιές.

Μην συνδέετε συσκευές διαφορετικές από τις καθορισμένες.

- Η παρούσα βάση της τηλεόρασης έχει σχεδιαστεί για να χρησιμοποιείται μόνο με τα καθορισμένα προϊόντα. Εάν συνδέσετε συσκευή διαφορετική από αυτήν που καθορίζεται, ενδέχεται να προκληθεί πτώση ή θραύση αυτής με συνέπεια τραυματισμούς ή υλικές ζημιές.
- Μην τοποθετείτε αντικείμενα όπως βάζα, κεραμικά, κτλ., πάνω στη βάση της τηλεόρασης.
- Μην τροποποιείτε τη βάση της τηλεόρασης.
- Μην τοποθετείτε τίποτε καυτό απευθείας πάνω στη βάση της τηλεόρασης. Η θερμότητα ενδέχεται να προκαλέσει αποχρωματισμό ή παραμόρφωση της βάσης της τηλεόρασης.
- Μην τοποθετείτε απευθείας πάνω στη βάση της τηλεόρασης οτιδήποτε μπορεί να προκαλέσει βλάβη στο γυαλί.

Βεβαιωθείτε ότι τοποθετήσατε την τηλεόραση με ασφάλεια.

Στερεώστε την τηλεόραση στη βάση της τηλεόρασης χρησιμοποιώντας τα παρεχόμενα προσαρτήματα στήριξης. Εάν η τηλεόραση δεν στερεωθεί με ασφάλεια, ενδέχεται να προκληθεί πτώση της ή ανατροπή της βάσης της τηλεόρασης με συνέπεια τραυματισμούς.

Μην στηρίζετε βάρος και μην εφαρμόζετε κρουστικά φορτία στο γυαλί.

Μην στηρίζετε με τα χέρια το βάρος σας στη βάση της τηλεόρασης, κατά την τοποθέτηση της τηλεόρασης. Προσέξτε να μην πέσουν στη βάση της τηλεόρασης βαριά αντικείμενα, όπως ένα κατσαβίδι κ.λπ., καθώς ενδέχεται το γυαλί να σπάσει με συνέπεια την πρόκληση τραυματισμού.

Κατά την μεταφορά της βάσης της τηλεόρασης

Αν προσπαθήσετε να μεταφέρετε τη βάση της τηλεόρασης μόνος, ή χωρίς να τηρείτε τις σωστές διαδικασίες, ενδέχεται να προκληθεί τραυματισμός. Πά να αποφύγετε κάτι τέτοιο, βεβαιωθείτε ότι ακολουθείτε τις συμβουλές που παρέχονται παρακάτω.

- Βεβαιωθείτε ότι δύο ή περισσότερα άτομα μεταφέρουν τη βάση της τηλεόρασης και μόνο αφού αφαιρέσουν την τηλεόραση, τον συνδεδεμένο εξοπλισμό και τα γυάλινα ράφια.

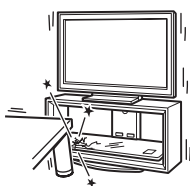
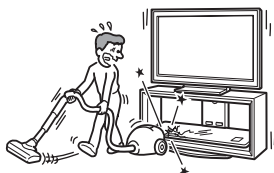
- Μην σύρετε τη βάση της τηλεόρασης. Τα τμήματα βάσης της βάσης της τηλεόρασης ενδέχεται να αποκολληθούν και να προκαλέσουν βλάβη στο δάπεδο.
- Προσέξτε να μην τραυματίσετε τα χέρια ή τα πόδια σας κάτω από το επίπεδο της βάσης.
- Κατά τη μεταφορά, μην κρατάτε τη βάση της τηλεόρασης από το γυάλινο ράφι.

Μην υποβάλλετε το γυαλί σε υπερβολικούς κραδασμούς.

Αν και η παρούσα βάση της τηλεόρασης είναι κατασκευασμένη από σκληρυμένο γυαλί, θα πρέπει ωστόσο να επιδεικνύεται προσοχή.

Σε περίπτωση θραύσης του γυαλιού, τα θραύσματα ενδέχεται να προκαλέσουν τραυματισμούς. Για το λόγο αυτό τηρήστε τις ακόλουθες προφυλάξεις.

- Μην χτυπάτε το γυαλί και μην αφήνετε να πέσουν αιχμηρά αντικείμενα πάνω στο γυαλί. Αποφύγετε τους υπερβολικούς κραδασμούς.
- Μην προκαλείτε εκδορές και μην ακουμπάτε με αιχμηρά αντικείμενα το γυαλί.
- Μην επιτρέπετε σε σκληρά αντικείμενα όπως ηλεκτρικές σκούπες, να ασκούν πίεση στις άκρες του γυαλιού.



Παρατηρήσεις σχετικά με την εγκατάσταση

- Κατά τη συναρμολόγηση, απλώστε τα υλικά συσκευασίας στο δάπεδο για να αποφύγετε ζημιά στο δάπεδο.
- Τοποθετείτε τη βάση της τηλεόρασης σε στέρεο και επίπεδο δάπεδο. Μην τοποθετείτε τη βάση της τηλεόρασης υπό γωνία ή με κλίση προς τη μια πλευρά. Για να αποφευχθεί αυτό, λάβετε τις ακόλουθες προφυλάξεις.
 - Μην τοποθετείτε τη βάση της τηλεόρασης σε σημείο εκτεθειμένο στο ηλιακό φως ή κοντά σε καλοριφέρ.
 - Μην τοποθετείτε τη βάση της τηλεόρασης σε ζεστά ή υγρά μέρη ή σε εξωτερικούς χώρους.

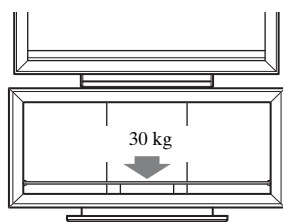
Παρατηρήσεις σχετικά με τη χρήση

Καθαρίζετε τη βάση της τηλεόρασης περιστασιακά με ένα στεγνό και μαλακό πανί. Για να απομακρύνετε επίμονους ρυτίδες, σκουπίστε με ένα πανί βρεγμένο ελαφρά με σαπούνι. Στη συνέχεια, σκουπίστε καλά την περιοχή με ένα στεγνό, μαλακό πανί. Μην χρησιμοποιείτε διαλυτικά, όπως για παράδειγμα νέφτι ή βενζίνη, καθώς ενδέχεται η επιφάνεια της βάσης της τηλεόρασης να καταστραφεί.

Σημείωση για τη φέρουσα ικανότητα

Μην τοποθετείτε εξοπλισμό που υπερβαίνει το μέγιστο βάρος για κάθε ράφι, όπως φαίνεται στην εικόνα.

Αλλιώς, τα ράφια ενδέχεται να σπάσουν.



Για τους αντιπροσώπους της Sony

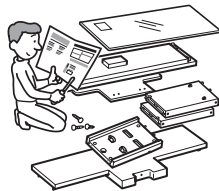
Διαβάστε προσεκτικά τις προφυλάξεις ασφαλείας που περιγράφονται προηγουμένως και τηρήστε τα μέτρα ασφαλείας κατά τη διάρκεια της τοποθέτησης, της συντήρησης, του ελέγχου και της επισκευής του συγκεκριμένου προϊόντος.

Βεβαιωθείτε ότι η τοποθέτηση πραγματοποιείται από δύο ή περισσότερα άτομα.

Βεβαιωθείτε ότι η τοποθέτηση της τηλεόρασης πάνω στη βάση της τηλεόρασης πραγματοποιείται από δύο ή περισσότερα άτομα. Εάν η τοποθέτηση πραγματοποιηθεί από ένα μόνο άτομο, ενδέχεται να προκληθεί ατύχημα ή τραυματισμός. Κατά τη διάρκεια της τοποθέτησης απομακρύνετε τα παιδιά.

Βεβαιωθείτε ότι η βάση της τηλεόρασης συναρμολογήθηκε στέρα τηρώντας τις οδηγίες.

Αν μια βίδα δεν έχει σφικτεί γερά ή έχει πέσει, η βάση της τηλεόρασης ενδέχεται να ανατραπεί. Κάτι τέτοιο ενδέχεται να προκαλέσει βλάβη ή τραυματισμό.



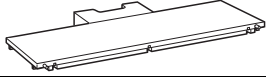
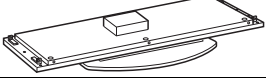


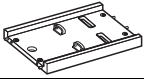
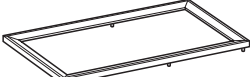
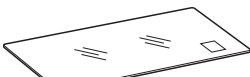

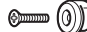







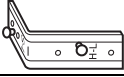

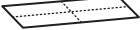
Προσέξτε να μην τραυματίσετε τα χέρια σας ή τα δάκτυλά σας κατά τη συναρμολόγηση.

Προσέξτε να μην τραυματίσετε τα χέρια σας ή τα δάκτυλά σας όταν συναρμολογείτε τη βάση της τηλεόρασης και τοποθετείτε την τηλεόραση.

Βεβαιωθείτε ότι η τοποθέτηση της τηλεόρασης πραγματοποιήθηκε με ασφάλεια ακολουθώντας τις οδηγίες.

Σφίξτε τις βίδες. Εάν η τηλεόραση δεν τοποθετηθεί με ασφάλεια, ενδέχεται να προκληθεί πτώση της με συνέπεια τραυματισμούς.

Βήμα 1: Έλεγχος των μερών

Όνομα	Ποσότητα
Επάνω επιφάνεια 	1
Επιφάνεια βάσης 	1
Πλευρικός πυλώνας (L)*1 	1
Πλευρικός πυλώνας (R)*1 	1
Πίσω πυλώνας 	1
Εμπρός πίνακας 	1
Γυάλινο ράφι 	1
Βίδα (+PWH5 × 25)  a*4	8
Βίδα (+K4 × 20) + Κυλινδρική υποδοχή  b*4	2
Βίδα σύνδεσης  c*4	4
Βίδα (+P4 × 15)  d*4	4
Κοχλίας στήριξης  e*4	2
Τάπα βίδας  f*4	3
Ιμάντας στήριξης 	g*4
Βίδα (M6 × 18) 	
Ευλόβιδα (M3,8 × 20) 	
Στήριγμα ηχείου (L) 	1
Στήριγμα ηχείου (R) 	1
Χάρτινος οδηγός 	4*2
	3*3
Ταινία 	1

*1 Οι παραπάνω εικόνες αφορούν το μοντέλο SU-FL300M. Αυτές διαφέρουν από το μοντέλο SU-FL300L. Για το SU-FL300L, υπάρχουν δύο οδηγοί στην πλευρά του πλευρικού πυλώνα.

*2 Για το SU-FL300M, παρέχονται τέσσερα χάρτινα πατρόν.

*3 Για το SU-FL300L, παρέχονται τρία χάρτινα πατρόν.

*4 Οι συσκευασίες των μερών έχουν ετικέτες με τα γράμματα της αλφαβήτου.

Βεβαιωθείτε πριν τη συναρμολόγηση ότι έχετε ένα κατάλληλο κατσαβίδι Phillips για τις βίδες που προαναφέρθηκαν.

Βήμα 2: Συναρμολόγηση της βάσης της τηλεόρασης

ΠΡΟΕΙΔΟΠΟΙΗΣΗ

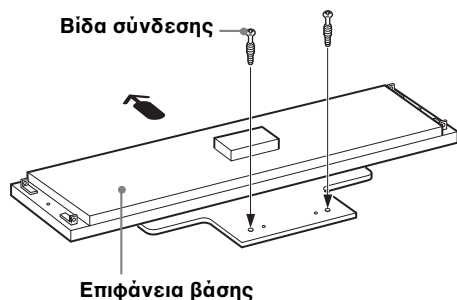
Εάν το καλώδιο τροφοδοσίας συμπιέζεται από άλλες συσκευές, ενδέχεται να προκληθεί βραχυκύκλωμα ή ηλεκτροπληξία. Εάν παραπατήσετε στο καλώδιο τροφοδοσίας ή στο καλώδιο σύνδεσης, η βάση της τηλεόρασης ενδέχεται να ανατραπεί και να προκαλέσει τραυματισμούς.

Πριν τοποθετήσετε την τηλεόραση πάνω στη βάση, ακουμπήστε τη βάση της τηλεόρασης στο σημείο τοποθέτησης που έχετε επιλέξει.

Επειδή το βάρος της τηλεόρασης είναι μεγάλο, σας συνιστούμε να αποφασίσετε σχετικά με τη θέση τοποθέτησης εκ των προτέρων και να συναρμολογήσετε τη βάση της τηλεόρασης επί τόπου.

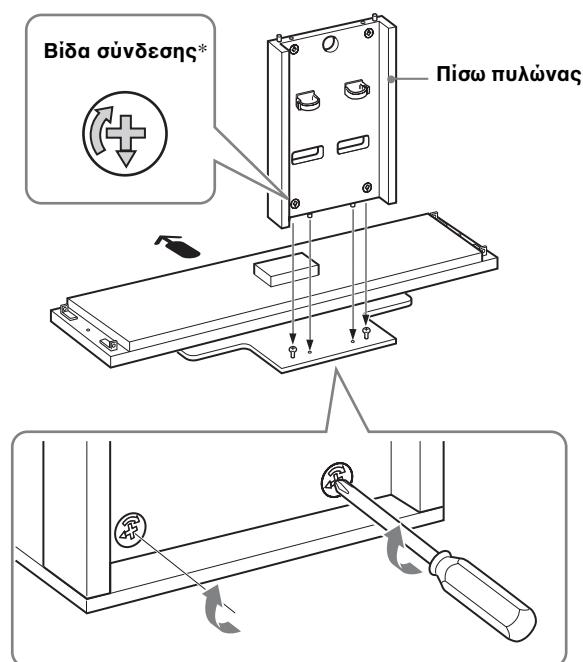
1 Προσαρτήστε τον πίσω πυλώνα στην επιφάνεια βάσης.

- 1 Βιδώστε τις δύο παρεχόμενες βίδες σύνδεσης στην επιφάνεια βάσης.



← Η κατεύθυνση του βέλους δείχνει προς το εμπρός μέρος της βάσης της τηλεόρασης.

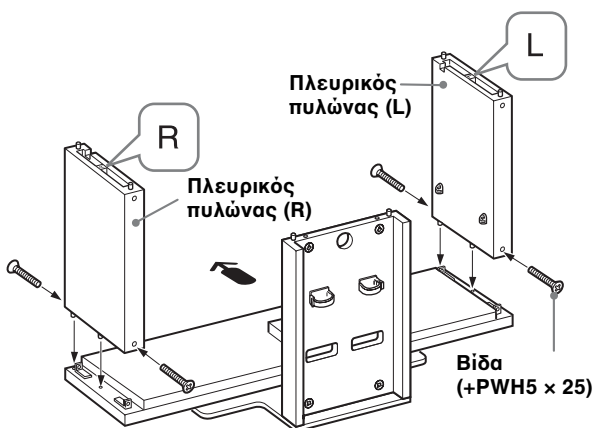
- 2 Προσαρτήστε τον πίσω πυλώνα στην επιφάνεια βάσης και σφίξτε τις δύο βίδες σύνδεσης με κατσαβίδι.



* Πριν τοποθετήσετε τον πίσω πυλώνα, βεβαιωθείτε ότι το σημάδι ∇ δείχνει προς τα κάτω.

2 Προσαρτήστε τους πλευρικούς πυλώνες στην επιφάνεια βάσης.

Στερεώστε τους πλευρικούς πυλώνες και την επιφάνεια βάσης με τις τέσσερις παρεχόμενες βίδες (+PWH5 × 25).



Σημείωση

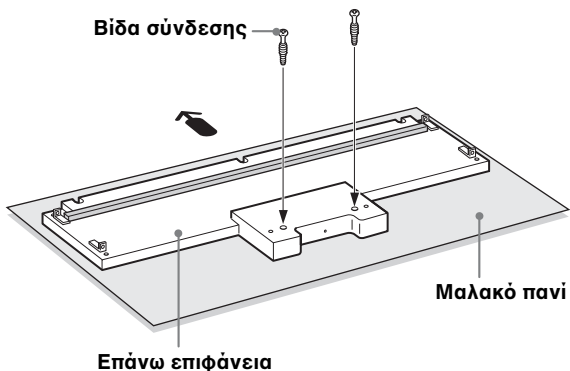
Υπάρχουν διαφορές μεταξύ του αριστερού και του δεξιού πυλώνα. Βεβαιωθείτε ότι τοποθετείτε κάθε πυλώνα στη σωστή πλευρά.

(Συνεχίζεται)

7 (GR)

3 Προσαρτήστε την επάνω επιφάνεια.

- 1 Βιδώστε τις δύο παρεχόμενες βίδες σύνδεσης στην επάνω επιφάνεια.

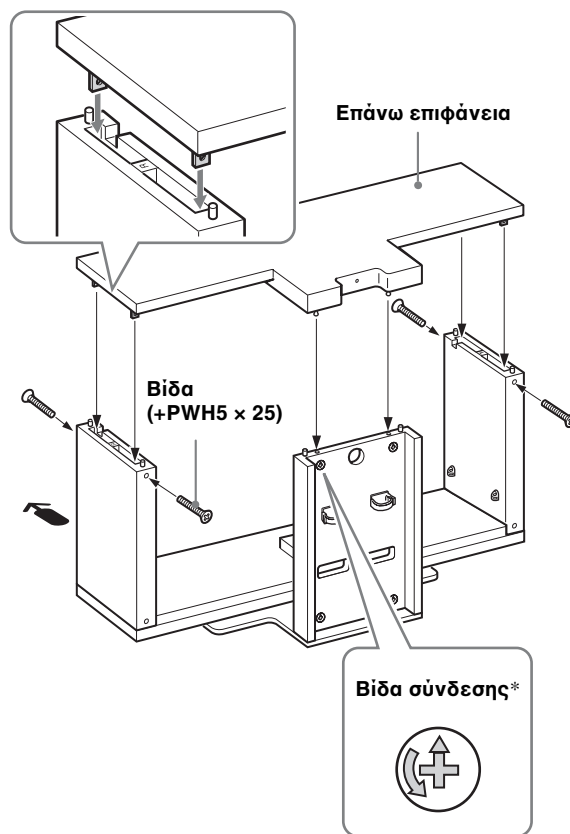


Η παρακάτω εικόνα παρουσιάζει το μοντέλο SU-FL300M ως παράδειγμα. Για το SU-FL300L, υπάρχουν δύο ενισχυτικοί ράβδοι στην επάνω επιφάνεια.

Σημείωση

Για να αποτρέψετε τυχόν φθορά της γυαλιστερής επάνω επιφάνειας, καθαρίστε καλά την επιφάνεια εργασίας και τοποθετήστε ένα μαλακό πανί.

- 2 Ευθυγραμμίστε και εισάγετε τα στηρίγματα στερέωσης και των δύο πλευρών του καπακιού στα πλαϊνά.
- 3 Στερεώστε τους πλευρικούς πυλώνες με τις τέσσερις παρεχόμενες βίδες (+PWH5 x 25). Στερεώστε τις δύο βίδες σύνδεσης που απομένουν στο πίσω μέρος του πίσω πυλώνα.



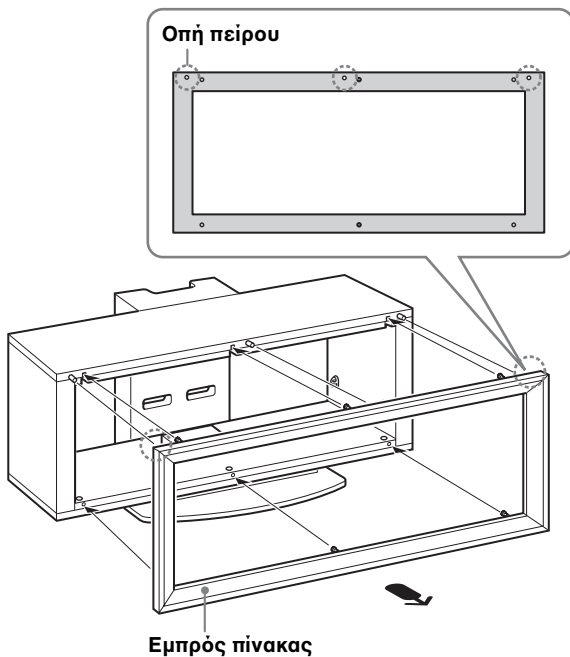
- * Πριν τοποθετήσετε την επάνω επιφάνεια, βεβαιωθείτε ότι το σημάδι Δ δείχνει προς τα πάνω.

Σημείωση

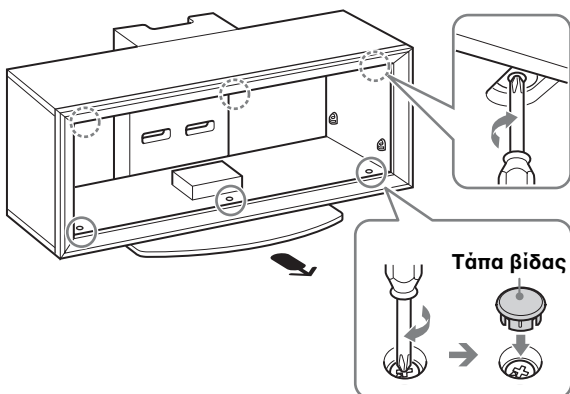
Προσέξτε να μην πιαστούν τα δάκτυλά σας κατά την προσαρτήση της επάνω επιφάνειας.

4 Προσαρτήστε τον εμπρός πίνακα στη βάση της τηλεόρασης.

- 1 Ευθυγραμμίστε τους τρεις πείρους της βάσης της τηλεόρασης με τις τρεις οπές του εμπρός πίνακα.



- 2 Περιστρέψτε τις έξι βίδες σύνδεσης της επάνω επιφάνειας και της επιφάνειας βάσης κατά τη φορά των δεικτών του ρολογιού για να στερεώσετε τον εμπρός πίνακα. Κατόπιν, προσαρτήστε τα τρία παρεχόμενα καπάκια των βιδών στις τρεις βίδες του πάτου.



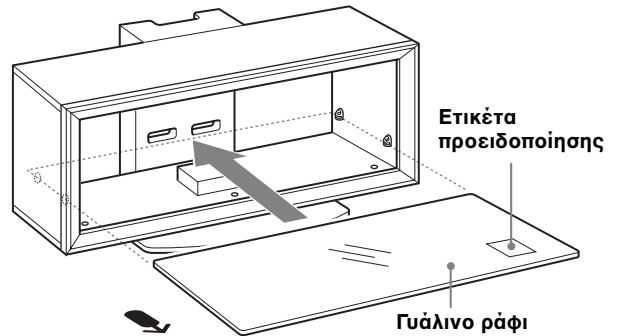
Σημείωση

Βεβαιωθείτε ότι προσαρτάτε τον εμπρός πίνακα στη σωστή κατεύθυνση.

5 Προσαρτήστε το γυάλινο ράφι.

Εάν συνδέετε το σύστημα οικιακού κινηματογράφου στη βάση της τηλεόρασης, προσαρτήστε πρώτα το στήριγμα ηχείου. (Ανατρέξτε στην ενότητα "Εγκατάσταση του κεντρικού ηχείου (μόνο για συστήματα οικιακού κινηματογράφου)" στη σελίδα 14.)

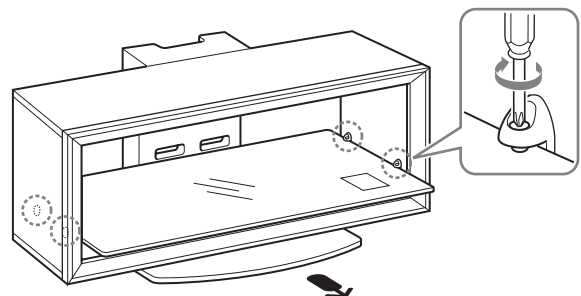
- 1 Τοποθετήστε το γυάλινο ράφι στο τέarma έως ότου αγγίξει τον πίσω πυλώνα.



Σημείωση

Προσαρτήστε το γυάλινο ράφι στη βάση της τηλεόρασης, με την ετικέτα προειδοποίησης που βρίσκεται εμπρός και δεξιά στραμμένη προς τα επάνω, όπως φαίνεται στην εικόνα.

- 2 Σφίξτε τις τέσσερις βίδες στα πλαϊνά για να στερεώσετε το γυάλινο ράφι στη βάση της τηλεόρασης.



Βήμα 3: Προετοιμασία για την εγκατάσταση της τηλεόρασης

1 Προσαρτήστε τις κυλινδρικές υποδοχές στην επάνω επιφάνεια.

Προσαρτήστε τα κολάρια με τις παρεχόμενες βίδες (+K4 x 20).

Για μοντέλα που δεν καθορίζονται στη σελίδα 2:

Χρησιμοποιήστε τις εμπρός τρύπες.

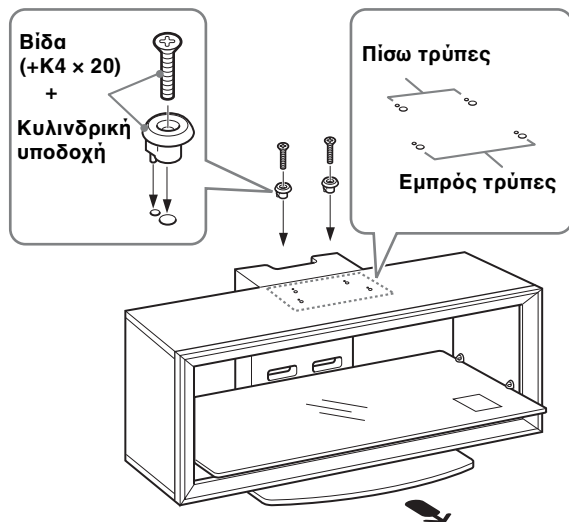
Για μοντέλα που καθορίζονται στη σελίδα 2:

Για περιστρεφόμενα μοντέλα*, χρησιμοποιήστε τις πίσω βίδες. Για μη περιστρεφόμενα μοντέλα, χρησιμοποιήστε τις εμπρός τρύπες.

Σημείωση

Ανατρέξτε στις οδηγίες λειτουργίας της τηλεόρασής σας για να ελέγξετε εάν η τηλεόρασή σας μπορεί να περιστρέφεται ή όχι.

* Η λειτουργία περιστροφής σας επιτρέπει να ρυθμίσετε τη γωνία προβολής της τηλεόρασης (αριστερά και δεξιά).



2 Επικολλήστε τον παρεχόμενο χάρτινο οδηγό στην επάνω επιφάνεια.

- 1 Επιλέξτε το παρεχόμενο πατρόν και ευθυγραμμίστε τις άκρες της δεξιά γωνίας του πατρόν με τη δεξιά γωνία του καπέλου.

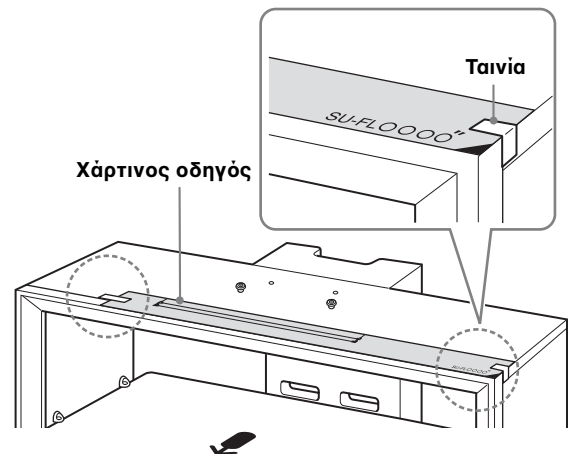
Για μοντέλα που δεν καθορίζονται στη σελίδα 2:

Βεβαιωθείτε ότι ανατρέξατε στο φυλλάδιο που παρέχεται με την τηλεόρασή σας, και διαλέξτε το χάρτινο πατρόν που αντιστοιχεί στην τηλεόρασή σας.

Για μοντέλα που καθορίζονται στη σελίδα 2:

Διαλέξτε το χάρτινο πατρόν τυπωμένο με μαύρο μελάνι που αντιστοιχεί στο μέγεθος της οθόνης της τηλεόρασής σας.

- 2 Κολλήστε με την παρεχόμενη ταινία τον χάρτινο οδηγό στην επάνω επιφάνεια.

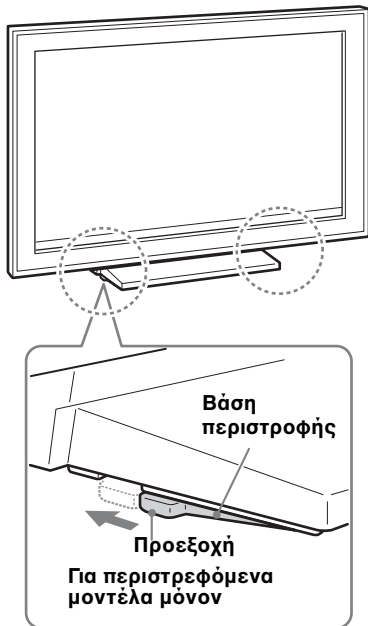


Βήμα 4: Εγκατάσταση της τηλεόρασης

Αν δεν έχετε συνδέσει ήδη την τηλεόρασή σας, συνδέστε την με τη βάση επιτραπέζιας τοποθέτησης. Μόνον για τα μοντέλα που καθορίζονται στη σελίδα 2, ακολουθήστε το τμήμα 1 της διαδικασίας στο βήμα 4.

1 Τοποθετήστε τη βάση περιστροφής στο κέντρο (Για περιστρεφόμενα μοντέλα μόνον).

Πριν εγκαταστήσετε την τηλεόραση, ευθυγραμμίστε την προεξοχή της βάσης περιστροφής με την εγκοπή στη βάση επιτραπέζιας τοποθέτησης.

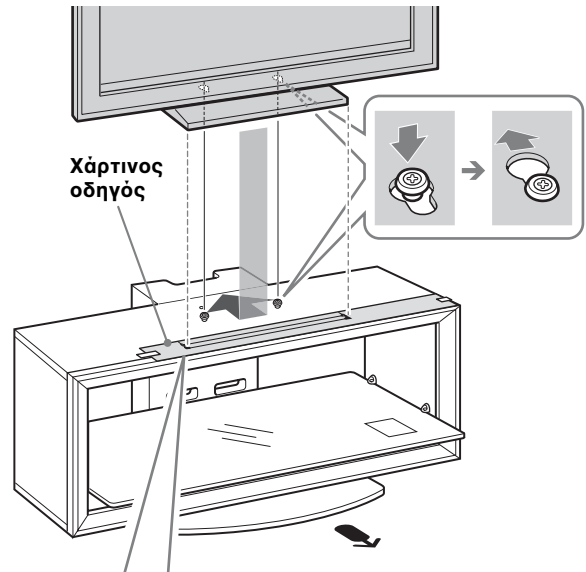


ΠΡΟΕΙΔΟΠΟΙΗΣΗ

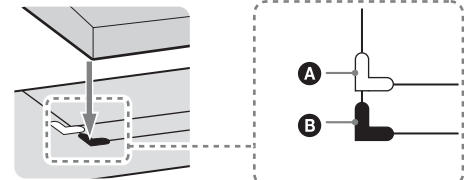
Εάν η βάση περιστροφής δεν ρυθμιστεί σωστά, η τηλεόραση δεν θα είναι τοποθετημένη με ασφάλεια και ενδέχεται να πέσει.

2 Τοποθετήστε την τηλεόραση στη βάση τηλεόρασης.

- 1 Ταιριάξτε το περίγραμμα της επιτραπέζιας βάσης τοποθέτησης με το περίγραμμα της οθόνης και τα σημάδια των γωνιών στο χάρτινο πατρόν, έτσι ώστε οι τρύπες στο κάτω μέρος της επιτραπέζιας βάσης τοποθέτησης να ευθυγραμμίζονται με τα κολάρα που έχουν προσαρτηθεί στο μέρος 1 του βήματος 3.
- 2 Σύρετε την τηλεόραση προς τα πίσω για να έρθει στη σωστή θέση.
- 3 Αφαιρέστε τον χάρτινο οδηγό στην επάνω επιφάνεια.



Μόνον για τα περιστρεφόμενα μοντέλα που καθορίζονται στη σελίδα 2



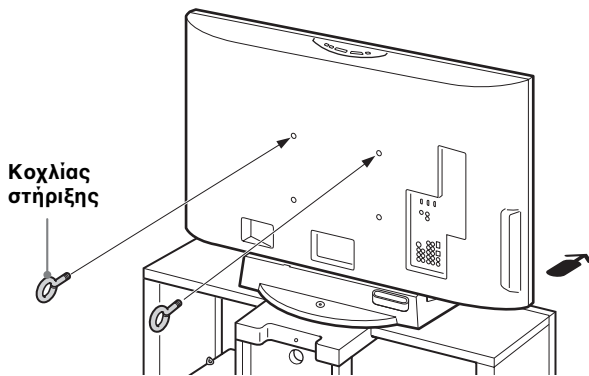
- A Το λευκό σημάδι στη γωνία είναι για περιστρεφόμενα μοντέλα.
- B Το μαύρο σημάδι στη γωνία είναι για μη περιστρεφόμενα μοντέλα.

Σημείωση

Για ιδιοκτήτες οθονών 37/40 ιντσών, ανεξάρτητα αν η τηλεόραση είναι περιστρεφόμενη ή όχι, ευθυγραμμίστε την επιτραπέζια βάση στήριξης με το σημάδι της μαύρης γωνίας. (Δεν υπάρχει σημάδι άσπρης γωνίας στον χάρτινο οδηγό για 37/40 ιντσες.)

3 Προσαρτήστε τους κοχλίες στήριξης.

Στερεώστε τους δύο παρεχόμενους κοχλίες στήριξης στο πίσω μέρος της τηλεόρασης.



Σημείωση

Αν δεν χρησιμοποιηθούν οι δύο κοχλίες στήριξης για να στερεωθεί η τηλεόραση, αυτή μπορεί να πέσει και να προκαλέσει τραυματισμό.

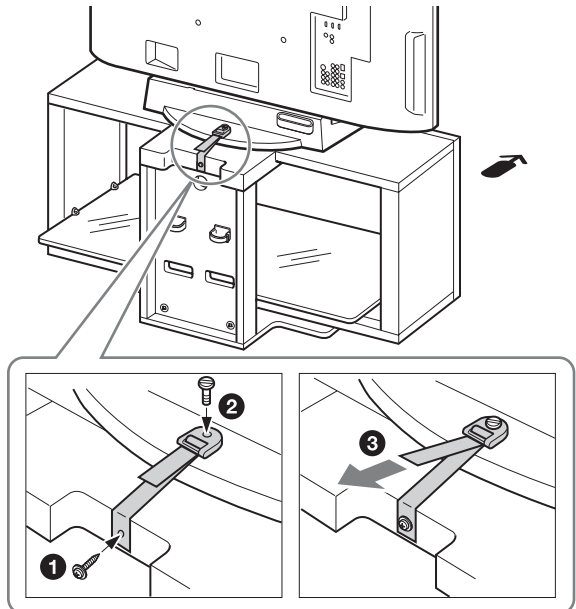
Βήμα 5: Μέτρα ασφαλείας για την αποφυγή ανατροπής

ΠΡΟΕΙΔΟΠΟΙΗΣΗ

Βεβαιωθείτε ότι έχετε λάβει τα απαραίτητα μέτρα ώστε να αποτραπεί η πτώση της βάσης της τηλεόρασης και η τυχόν πρόκληση τραυματισμού ή ζημιάς.

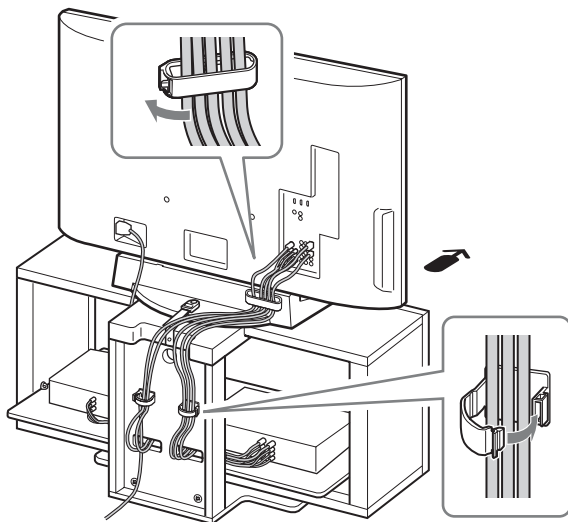
1 Προσαρτήστε τον ιμάντα υποστήριξης.

- 1 Βιδώστε τον ιμάντα στήριξης στη βάση της τηλεόρασης με την παρεχόμενη ξυλόβιδα και κατσαβίδι.
- 2 Προσαρτήστε τον ιμάντα στήριξης του στη βάση επιτραπέζιας τοποθέτησης, και βιδώστε τον ιμάντα με την παρεχόμενη βίδα χρησιμοποιώντας ένα κέρμα, κλπ.
- 3 Ρυθμίστε το μήκος τεντώνοντας τον ιμάντα υποστήριξης ενώ κρατάτε τη βάση επιτραπέζιας τοποθέτησης.



2 Συνδέστε τα καλώδια.

Περάστε τα καλώδια από τις θήκες των καλωδίων και τις οπές του πίσω πυλώνα.



Σημείωση

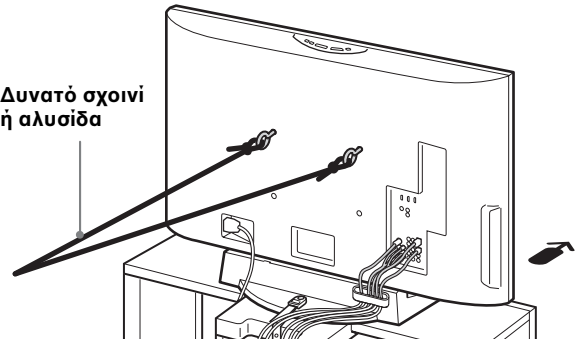
Εάν τα καλώδια δεν τοποθετηθούν σωστά, ενδέχεται να τρυπήσουν και να καταστραφούν και να προκαλέσουν ηλεκτροπληξία κ.λπ.

3 Στερεώστε την τηλεόραση στον τοίχο.

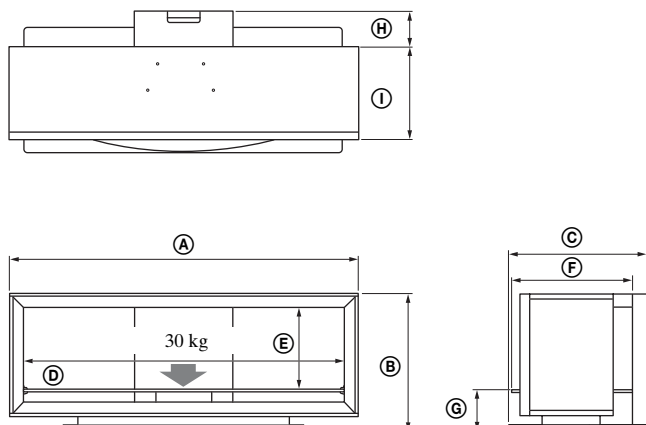
Ετοιμάστε ένα δυνατό σχοινί ή αλυσίδα που διατίθεται στο εμπόριο και έναν βραχίονα επιτοίχιας στερέωσης για τον σκοπό αυτό.

- 1 Στερεώστε τον βραχίονα επιτοίχιας στερέωσης σε γερό τοίχο.
- 2 Περάστε το σχοινί ή την αλυσίδα και από τις δύο τρύπες των κοχλιών στήριξης και εν συνεχεία σφίξτε την άλλη άκρη του σχοινιού ή της αλυσίδας στον βραχίονα επιτοίχιας στερέωσης.

Δυνατό σχοινί
ή αλυσίδα



Τεχνικά χαρακτηριστικά



Σημείωση για τη φέρουσα ικανότητα

Μην τοποθετείτε εξοπλισμό στο γυάλινο ράφι που υπερβαίνει το μέγιστο επιτρεπόμενο βάρος του, διότι ενδέχεται να σπάσει και να προκαλέσει τραυματισμό.

		SU-FL300M	SU-FL300L
Διαστάσεις: mm	Ⓐ	1.035	1.280
	Ⓑ	503	503
	Ⓒ	485	518
	Ⓓ	895	1.140
	Ⓔ	303	303
	Ⓕ	418	468
	Ⓖ	146	146
	Ⓗ	120	130
	Ⓘ	272	340
Βάρος:		35 kg	52 kg

Η σχεδίαση και τα τεχνικά χαρακτηριστικά ενδέχεται να αλλάξουν χωρίς προειδοποίηση.

Εγκατάσταση του κεντρικού ηχείου (μόνο για συστήματα οικιακού κινηματογράφου)

Το μοντέλο κεντρικού ηχείου SS-CT71/CNP2200 αφορά τα παρακάτω μοντέλα συστημάτων οικιακού κινηματογράφου:

DAV-HDX665	HT-SF2000
DAV-HDX466	HT-SF1200
DAV-HDX465	HT-SF1100
DAV-HDX267W	DAV-DZ750K
DAV-HDX266	DAV-DZ630
DAV-HDX265	DAV-DZ556KB
DAV-HDZ235	DAV-DZ555K
	DAV-DZ555M
	DAV-DZ530
	DAV-DZ250KW
	DAV-DZ250K
	DAV-DZ250M
	DAV-DZ231
	DAV-DZ230
	DAV-DZ151KB
	DAV-DZ150K

Το μοντέλο κεντρικού ηχείου SS-CT72/CT74 αφορά τα παρακάτω μοντέλα συστημάτων οικιακού κινηματογράφου:

DAV-HDX900W	DAV-DZ1000
DAV-HDX501W	DAV-DZ850KW
DAV-HDX500	DAV-DZ850M
	DAV-DZ830W
	DAV-DZ531W

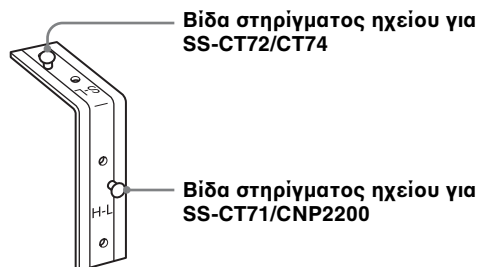
Σημειώσεις

- Τα παραπάνω προϊόντα ενδέχεται να αλλάξουν χωρίς προειδοποίηση, μπορεί να μην είναι διαθέσιμα ή να έχει διακοπή η παραγωγή τους.
- Μερικά μοντέλα ενδέχεται να μην είναι διαθέσιμα σε ορισμένες περιοχές.

Πριν προσαρτήσετε το στήριγμα ηχείου:

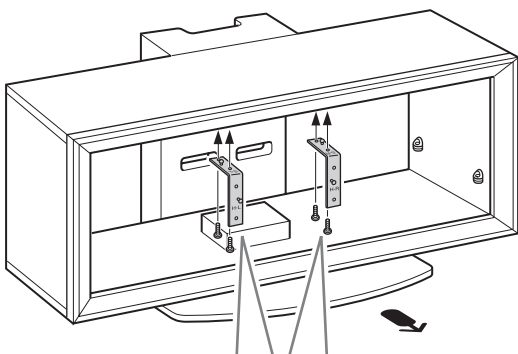
Για SS-CT71/CNP2200, τα σημάδια H-L/H-R πρέπει να είναι στραμμένα προς τα εμπρός. (τα σημάδια H-L είναι για την αριστερή πλευρά και τα H-R είναι για την δεξιά.)

Για SS-CT72/CT74, τα σημάδια S-L/S-R πρέπει να είναι στραμμένα προς τα εμπρός. (τα σημάδια S-L είναι για την αριστερή πλευρά και τα S-R είναι για την δεξιά.)

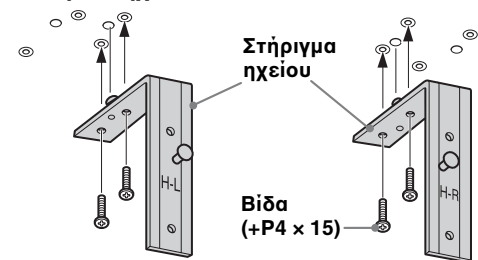


1 Προσαρτήστε το στήριγμα ηχείου.

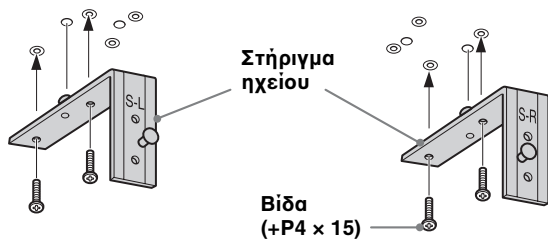
Στερεώστε κάθε στήριγμα ηχείου με τις παρεχόμενες βίδες (+P4 x 15) (δύο βίδες για το καθένα για αριστερά/δεξιά) στην κάτω πλευρά της επάνω επιφάνειας.



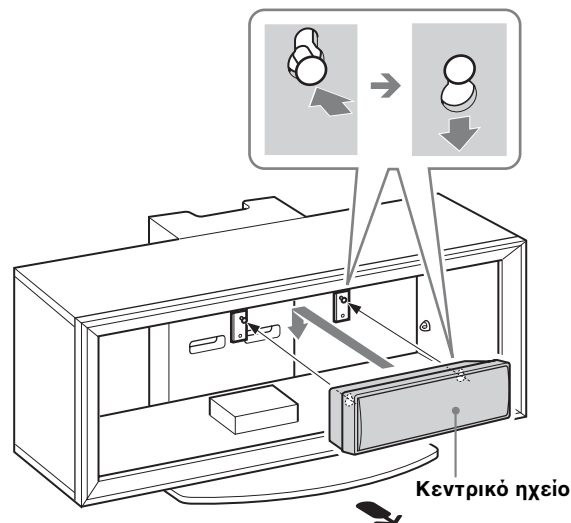
Κεντρικό ηχείο: SS-CT71/CNP2200



Κεντρικό ηχείο: SS-CT72/CT74



2 Κρεμάστε το κεντρικό ηχείο στη βίδα στηρίγματος όπως στην εικόνα.



Благодарим за покупку этого изделия.

Для покупателей

Установка этого изделия должна выполняться только квалифицированными специалистами по обслуживанию фирмы Sony со специальной лицензией, поскольку для установки требуется не менее двух человек, особая осторожность, соблюдение техники безопасности и использование специальных методов.

ПРЕДУПРЕЖДЕНИЕ

Несоблюдение мер предосторожности и неправильное использование изделия может привести к возгоранию или получению серьезных травм.

В данном руководстве приведены важные указания по правильному обращению с изделием и меры предосторожности, которые необходимы для предотвращения несчастных случаев. Внимательно прочтите данное руководство и выполняйте приведенные инструкции. Сохраните настоящее руководство для использования в будущем.

Для дилеров Sony

Для установки телевизора требуются два человека или более, особая осторожность и использование специальных методов. Тщательно ознакомьтесь с этим руководством и используйте его при установке телевизора. Sony не несет ответственность за несчастные случаи или повреждения, которые могут иметь место в результате ненадлежащей установки или неправильного обращения. По окончании установки передайте это руководство покупателю.

Безопасность

Изделия Sony разработаны с учетом требований по безопасности. Неправильное использование изделий может стать причиной серьезных травм вследствие поражения электрическим током, возгорания, опрокидывания или падения изделия. Во избежание несчастных случаев обязательно соблюдайте соответствующие меры предосторожности.

ВНИМАНИЕ

Указанные изделия

Следующие изделия могут быть изменены без предварительного уведомления. Некоторые модели могут быть сняты с производства, отсутствовать на складе или быть недоступными в некоторых регионах.

	Цветной телевизор с ЖК-экраном	
SU-FL300M	KDL-46W3500	KDL-40D2600
	KDL-46W3100	KLV-40W300A
	KDL-46W3000	KLV-40V300A
	KDL-46V3100	KLV-40D300A
	KDL-46V3000	KDL-37S3100
	KDL-46VL130	KLV-37S310A
	KDL-46S3000	KDL-32XBR4
	KDL-46D3550	KDL-32V3100
	KDL-46D3500	KDL-32T3000
	KDL-46D3100	KDL-32T2800
	KDL-46D3010	KDL-32T2600
	KDL-46D3000	KDL-32S3100
	KLV-46W300A	KDL-32S3000
	KLV-46V300A	KDL-32SL130
	KLV-46D300A	KDL-32D3100
	KDL-40W3500	KDL-32D3010
	KDL-40W3100	KDL-32D3000
	KDL-40W3000	KDL-32D2810
	KDL-40V3100	KDL-32D2710
	KDL-40V3000	KDL-32D2600
	KDL-40VL130	KLV-32V300A
	KDL-40T3000	KLV-32S310A
	KDL-40T2800	KLV-32D300A
	KDL-40T2600	
	KDL-40S3000	
	KDL-40SL130	
	KDL-40D3550	
	KDL-40D3500	
	KDL-40D3100	
	KDL-40D3010	
KDL-40D3000		
KDL-40D2810		
KDL-40D2710		
SU-FL300L	KDL-52W3000	
	KDL-52WL130	
	KDL-46W3000	
	KDL-46V3000	
	KDL-46VL130	
	KDL-46S3000	

Эта подставка предназначена для использования только с указанными выше изделиями. Чтобы узнать, можно ли ее использовать с другими телевизорами, обратитесь к руководству по эксплуатации соответствующего телевизора. Некоторые телевизоры поставляются с брошюрой, в которой приведена инструкция по установке подставки.

ПРЕДУПРЕЖДЕНИЕ

Несоблюдение перечисленных ниже мер безопасности может привести к серьезным травмам или смерти в результате пожара, поражения электрическим током или опрокидывания изделия.

Установку данного изделия должны выполнять только квалифицированные технические специалисты фирмы Sony.

Установка другими лицами, не имеющими специальной лицензии, может стать причиной получения тяжелых травм, поскольку телевизор и подставка очень тяжелые.

Обязательно примите меры для предотвращения опрокидывания подставки.

Если этого не сделать, телевизор может опрокинуться и причинить травму. Для предотвращения опрокидывания телевизора прикрепите его анкерными болтами к стене и т. п.

Устанавливайте подставку только на прочном и ровном полу.

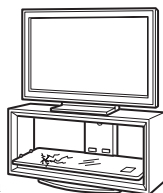
Устанавливайте подставку строго в вертикальном положении. Если она будет наклонена, подставка может опрокинуться, а телевизор - упасть. Это может привести к получению травмы или порче имущества.

При установке подставки на мягкую поверхность, например, на половик или ковер, предварительно положите на них плоский твердый щит.

Не используйте треснувшую подставку.

Не используйте подставку, если на ней появились трещины. Стекло может разбиться, а телевизор – упасть, что может стать причиной получения серьезной травмы или порчи имущества.

Треснувшая подставка



Не опирайтесь на телевизор и не висите на нем.

Подставка может опрокинуться, телевизор может упасть и стать причиной травмы или смерти.



Не позволяйте детям влезать на подставку или на полки.

Если ребенок заберется на подставку телевизора или встанет между полками, это может привести к серьезной травме или смерти вследствие разбития стекла или опрокидывания подставки и телевизора.



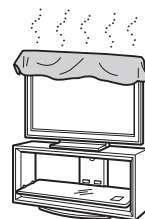
Не вставляйте на подставку.

Можно упасть, разбить стекло и получить травму.



Не закрывайте вентиляционные отверстия на телевизоре.

При закрытии вентиляционных отверстий (тканью и т. д.) внутри устройства может повыситься температура, что может привести к возгоранию.



Не допускайте защемления кабеля питания переменного тока и соединительного кабеля.

- Не допускайте защемления кабеля питания переменного тока и соединительного кабеля при установке телевизора на подставку. При повреждении кабеля питания переменного тока или соединительного кабеля может произойти возгорание или поражение электрическим током.
- При перемещении подставки не наступайте на кабель питания переменного тока или соединительный кабель. Кабель питания переменного тока или соединительный кабель может быть поврежден, что может привести к возгоранию или поражению электрическим током.



(продолжение на следующей странице)

Не перемещайте подставку с установленным телевизором или с подключенным оборудованием на внутренней полке.

Если перемещать подставку с установленным телевизором, можно повредить спину, подставка может опрокинуться и причинить серьезную травму. Кроме того, любое подсоединенное оборудование на внутренней полке может упасть и разбить стеклянную полку или повредить другое имущество.



ВНИМАНИЕ

При несоблюдении следующих мер предосторожности существует вероятность получения травм или повреждения имущества.

Не устанавливайте другие изделия, кроме указанного устройства.

- Эта подставка предназначена для использования только с указанным изделием. При установке другого оборудования оно может упасть или разбиться, а также стать причиной получения травм.
- Не ставьте на подставку посторонние предметы, например, вазы, керамику и т. д.
- Не изменяйте конструкцию подставки.
- Не ставьте на подставку горячие предметы. Высокая температура может привести к образованию пятен или деформации подставки.
- Не ставьте на подставку предметы, способные повредить стекло.

Обязательно закрепите телевизор.

Прикрепите телевизор к подставке с помощью поставляемых анкерных креплений. Если этого не сделать, возможно падение телевизора или опрокидывание подставки, что может стать причиной травмы.

Не подвергайте стекло воздействию лишнего веса или каким-либо ударам.

Не подвергайте подставку воздействию лишнего веса, опираясь на нее руками во время установки телевизора. Не стучите по подставке твердыми предметами, например, отверткой и т. д. Стекло может разбиться и стать причиной получения травм.

При перемещении подставки

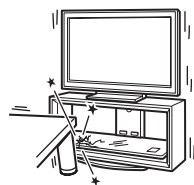
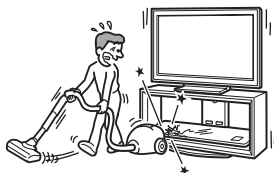
Попытка переместить подставку в одиночку без соблюдения надлежащих процедур может привести к получению травм. Для их предотвращения обязательно следуйте приведенным ниже указаниям.

- Перемещать подставку должны не менее двух человек после того, как с нее будет снят телевизор, подсоединенное оборудование и стеклянные полки.
- Не тяните подставку. Элементы основания подставки могут отсоединиться и повредить пол.
- Будьте осторожны, чтобы не допустить защемления рук или ног основанием подставки.
- При перемещении подставки не беритесь за стеклянную полку.

Не подвергайте стекло сильным ударам.

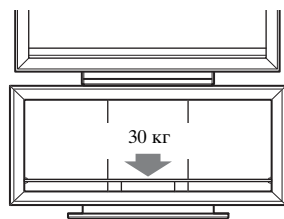
Эта подставка сделана из закаленного стекла, но, тем не менее, следует соблюдать осторожность. Если стекло разобьется, его осколки могут стать причиной получения травм, поэтому соблюдайте описанные ниже меры предосторожности.

- Не стучите по стеклу и не роняйте на него предметы с острыми краями. Избегайте сильных ударов.
- Не скребите и не стучите по стеклу заостренными предметами.
- Не допускайте ударов по краям стекла твердыми предметами, например, пылесосом.



Примечание по грузоподъемности

Не ставьте на полки оборудование, вес которого превышает максимально допустимый вес, как показано на рисунке. В противном случае полки могут разбиться.



Примечания по установке

- Во время сборки разложите упаковочные материалы на полу, чтобы не повредить его.
- Установите подставку на прочном и ровном полу. Избегайте наклона подставки при установке. Во избежание этого соблюдайте приведенные ниже меры предосторожности.
 - Не устанавливайте подставку в местах, где она будет подвержена воздействию прямых солнечных лучей, или рядом с обогревателями.
 - Не устанавливайте подставку в местах с высоким уровнем температуры или влажности, а также не оставляйте ее на улице.

Примечание по использованию

Регулярно протирайте подставку сухой мягкой тканью. Стойкие пятна можно удалить, используя ткань, слегка смоченную в мыльном растворе. Затем протрите очищенный участок сухой мягкой тканью. Не используйте химические вещества, например, растворитель или бензин, так как они могут повредить покрытие подставки.

Для дилеров Sony

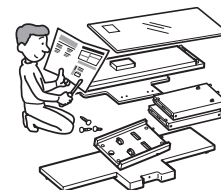
Обязательно прочтите информацию по безопасности и соблюдайте особые меры предосторожности во время установки, обслуживания, проверки или ремонта данного изделия.

В процессе установки должны участвовать не менее двух человек.

В процессе установки телевизора на подставку должны участвовать не менее двух человек. Если установку выполняет только один человек, может произойти несчастный случай или получение травм. Не допускайте, чтобы во время установки изделия рядом находились дети.

Надежно соберите подставку, следуя инструкциям.

Полностью затяните винты, иначе подставка может опрокинуться. Это может привести к травме или порче имущества.



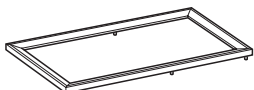
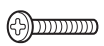
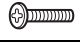



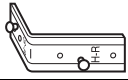

Соблюдайте осторожность, чтобы не повредить руки или пальцы во время установки.

Соблюдайте осторожность, чтобы не прищемить руки или пальцы при сборке подставки и установке телевизора.

Надежно установите телевизор, следуя инструкциям.

Надежно затяните винты. Если телевизор будет установлен ненадежно, он может упасть и стать причиной получения травм.

Шаг 1. Проверка комплектности

Наименование	Количес
Верхняя полка 	1
Основание 	1
Боковая стенка (L)*1 	1
Боковая стенка (R)*1 	1
Задняя стенка 	1
Передняя панель 	1
Стеклопанель 	1
Винт (+PWH5 × 25) 	a*4 8
Винт (+K4 × 20) + втулка 	b*4 2
Винт с эксцентриком 	c*4 4
Винт (+P4 × 15) 	d*4 4
Анкерный болт 	e*4 2
Заглушка 	f*4 3
Поддерживающий ремень 	g*4 1
Винт (M6 × 18) 	
Шуруп (M3,8 × 20) 	
Крепление громкоговорителя (L) 	1
Крепление громкоговорителя (R) 	1
Бумажный шаблон 	4*2 3*3
Лента 	1

*1 Приведены изображения частей для модели SU-FL300M. Модель SU-FL300L имеет отличия. В модели SU-FL300L на боковой стенке имеются два выреза.

*2 Для модели SU-FL300M поставляются четыре бумажных шаблона.

*3 Для модели SU-FL300L поставляются три бумажных шаблона.

*4 Пакеты с деталями отмечены в алфавитном порядке.

Перед сборкой приготовьте крестообразную отвертку, подходящую для указанных выше винтов.

Шаг 2. Сборка подставки для телевизора

ПРЕДУПРЕЖДЕНИЕ

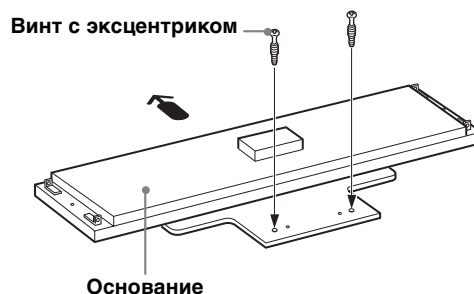
Защемление кабеля питания переменного тока под оборудованием или между его частями может привести к короткому замыканию или поражению электрическим током. Споткнувшись о кабель питания или соединительный кабель, можно уронить подставку и получить травму.

Прежде чем приступить к установке телевизора, определите место для установки и положите подставку для телевизора плашмя.

Так как телевизор имеет большой вес, рекомендуется заранее определить его расположение и собирать подставку в этом месте.

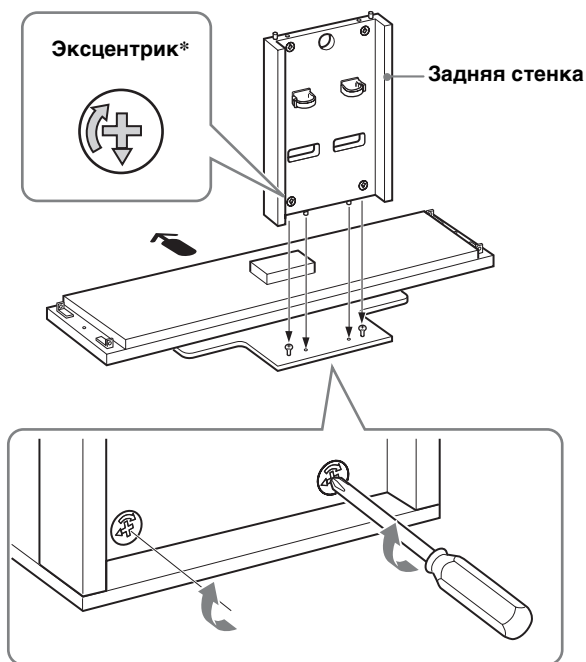
1 Прикрепление задней стенки к основанию.

1 Вкрутите два прилагаемых винта с эксцентриками в основание.



← Стрелка указывает на переднюю часть подставки.

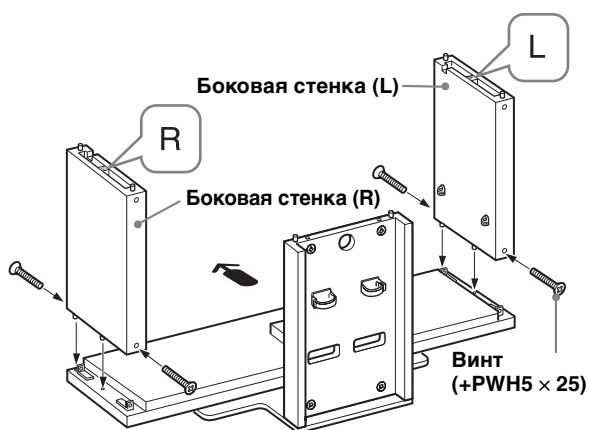
- 2 Прикрепите заднюю стенку к основанию и затяните отверткой два эксцентрика.



* Перед установкой задней стенки убедитесь, что знак ∇ направлен вниз.

2 Присоединение боковых стенок к основанию.

Скрепите боковые стенки и основание четырьмя прилагаемыми винтами (+PWH5 × 25).

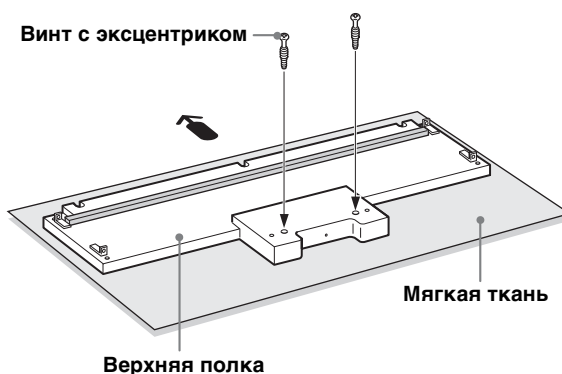


Примечание

Левая и правая стенка имеют различия. Внимательно установите стенки на свои места.

3 Прикрепление верхней полки.

- 1 Вкрутите два прилагаемых винта с эксцентриками в верхнюю полку.



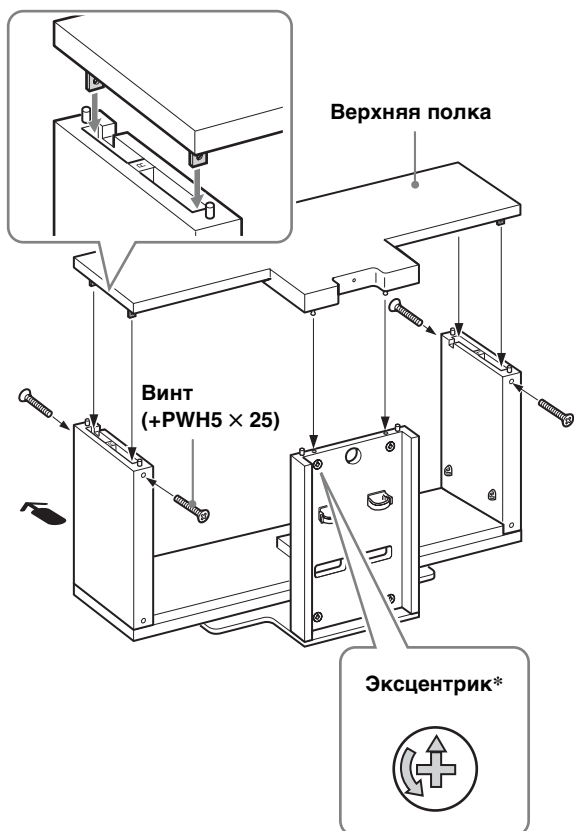
На рисунке изображена модель SU-FL300M. Для модели SU-FL300L верхняя полка имеет два усиливающих бруска.

Примечание

Чтобы предотвратить повреждение глянцевого покрытия верхней полки, протрите рабочую поверхность и положите на нее мягкую ткань.

(продолжение на следующей странице)

- 2 Совместите и вставьте неподвижные кронштейны, расположенные на обеих сторонах верхней панели, в отверстия в боковых стойках.
- 3 Закрепите боковые стенки четырьмя прилагаемыми винтами (+PWH5 × 25). Закрутите два оставшихся эксцентрика с задней стороны задней стенки.



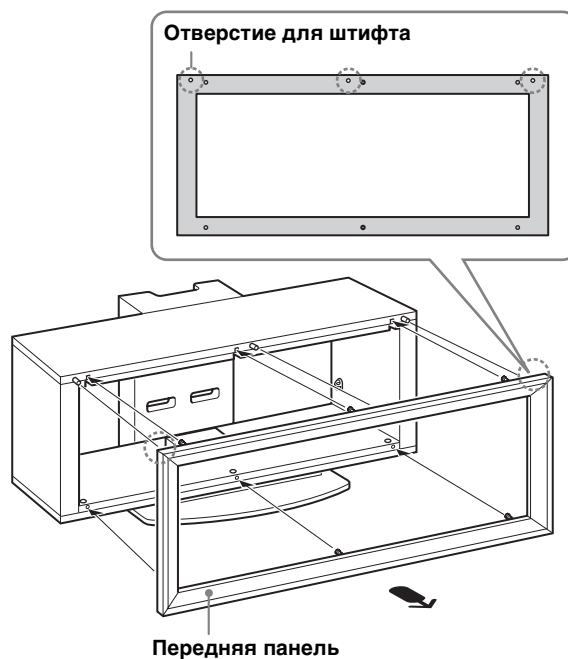
* Перед установкой верхней полки убедитесь, что знак Δ направлен вверх.

Примечание

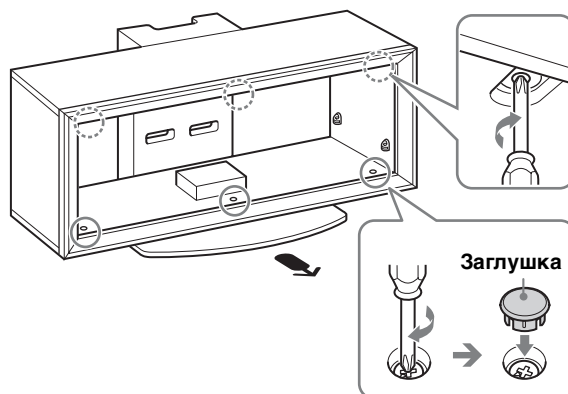
Соблюдайте осторожность, чтобы не прищемить пальцы при установке верхней полки.

4 Прикрепление передней панели к подставке.

- 1 Совместите три штифта подставки с тремя отверстиями передней панели.



- 2 Закрутите шесть винтов с эксцентриками со стороны верхней полки и основания, чтобы закрепить переднюю панель. Затем прикрепите три прилагающихся заглушки к трем винтам нижней панели.



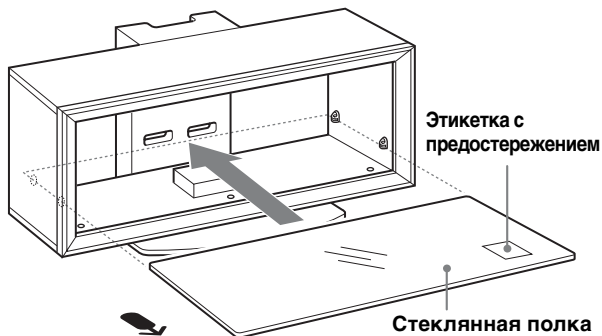
Примечание

Прикрепите переднюю панель в правильном положении.

5 Прикрепление стеклянной полки.

При креплении системы домашнего кинотеатра к стойке сначала прикрепите крюки стойки. (См. раздел “Установка центрального громкоговорителя (только для систем домашнего кинотеатра)” на стр. 14.)

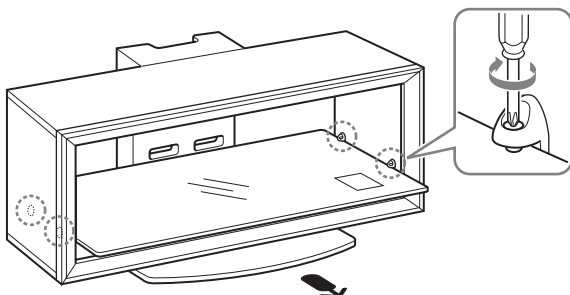
- 1 Полностью вставьте стеклянную полку до контакта с задней стенкой.



Примечание

Установите стеклянную полку в подставку телевизора предостерегающим знаком вверх, как показано на рисунке.

- 2 Затяните четыре винта на боковых стойках, чтобы закрепить стеклянную полку в подставке телевизора.



Шаг 3. Подготовка к установке телевизора

1 Прикрепление втулок к верхней полке.

Прикрепите втулки с помощью прилагающихся винтов (+K4 × 20).

Для моделей, не указанных на стр. 2:

Используйте передние отверстия.

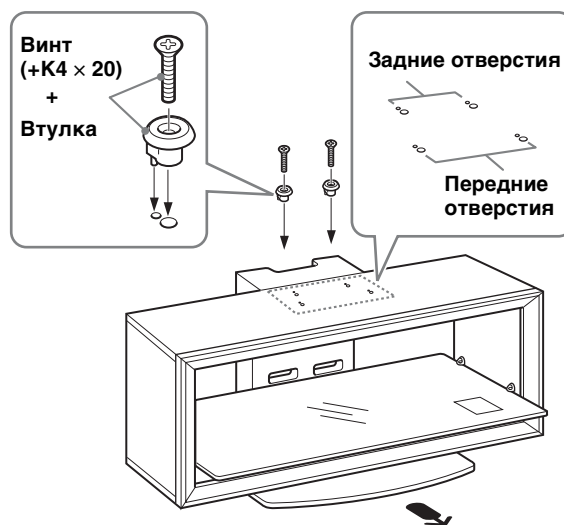
Для моделей, указанных на стр. 2:

Для вращающихся моделей* используйте задние отверстия; для невращающихся моделей — передние отверстия.

Примечание

Наличие функции поворота телевизора см. в его инструкции по эксплуатации.

* Функция поворота позволяет изменять угол просмотра телевизора (влево и вправо).



(продолжение на следующей странице)

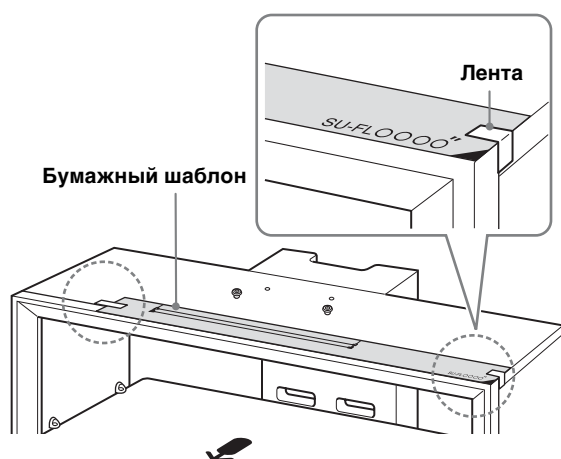
2 Прикрепление прилагаемого бумажного шаблона к верхней полке.

- 1 Выберите прилагающийся бумажный шаблон и совместите концы правого угла шаблона с правым углом верхней панели.

Для моделей, не указанных на стр. 2:
Обязательно см. брошюру, прилагающуюся к телевизору. Выберите соответствующий шаблон для своей модели телевизора.

Для моделей, указанных на стр. 2:
Выберите бумажный шаблон с помощью надписи черного цвета, которая обозначает размер телевизора.

- 2 Закрепите бумажный шаблон на верхней полке с помощью прилагаемой ленты.



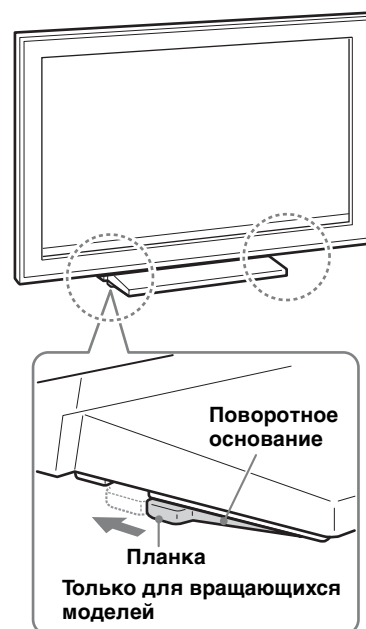
Шаг 4. Установка телевизора

Прикрепите телевизор к опоре настольного типа, если это еще не сделано.

При установке вращающихся моделей, указанных на стр. 2, выполните действия, указанные в 1 части шага 4.

1 Центрирование поворотного основания (Только для вращающихся моделей).

Перед установкой телевизора совместите планку поворотного основания с пазом в настольной подставке.

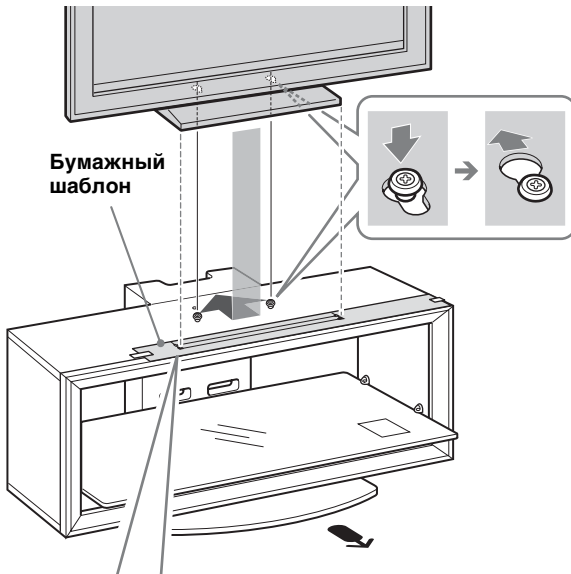


ПРЕДУПРЕЖДЕНИЕ

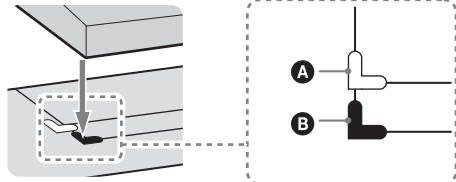
В случае неправильной установки поворотного основания телевизор будет закреплен неправильно и может упасть.

2 Установка телевизора на подставку.

- 1 Совместите контур опоры настольного типа с контуром, который обозначает размер экрана телевизора и метками углов на бумажном шаблоне, чтобы отверстия на нижней поверхности опоры настольного типа совместились с втулками, которые были прикреплены в части 1 шага 3.
- 2 Сдвиньте телевизор назад, чтобы закрепить его.
- 3 Снимите бумажный шаблон с верхней полки.



Только для вращающихся моделей, указанных на стр. 2



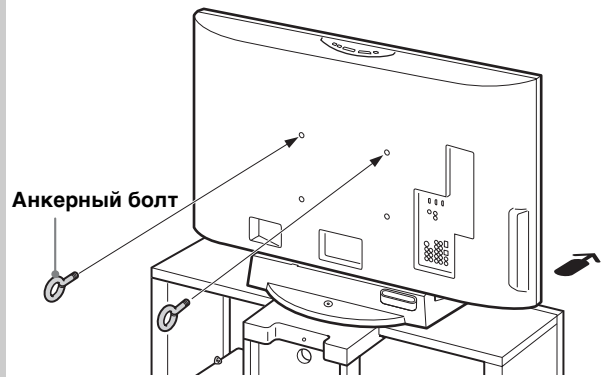
- А Белая метка угла для вращающихся моделей.
- В Черная метка угла для невращающихся моделей.

Примечание

Если используется телевизор 37/40 дюймов, совместите опору настольного типа с черными метками углов, независимо от того, является ли модель телевизора вращающейся или нет. (На бумажном шаблоне для моделей телевизоров размером 37/40 дюймов отсутствует белая метка угла).

3 Прикрепление анкерных болтов.

Вкрутите два прилагаемых анкерных болта в заднюю часть телевизора.



Примечание

Если не использовать два анкерных болта при установке телевизора, он может упасть и причинить травму.

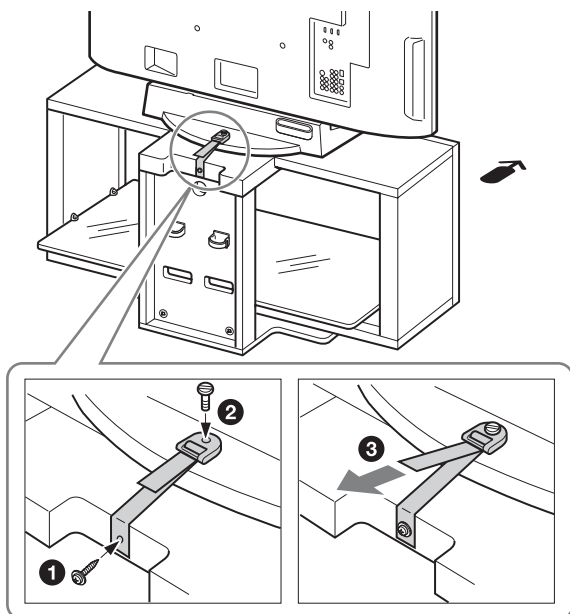
Шаг 5. Меры предосторожности для предотвращения опрокидывания

ПРЕДУПРЕЖДЕНИЕ

Обязательно примите меры для предотвращения опрокидывания подставки и причинения травм или ущерба.

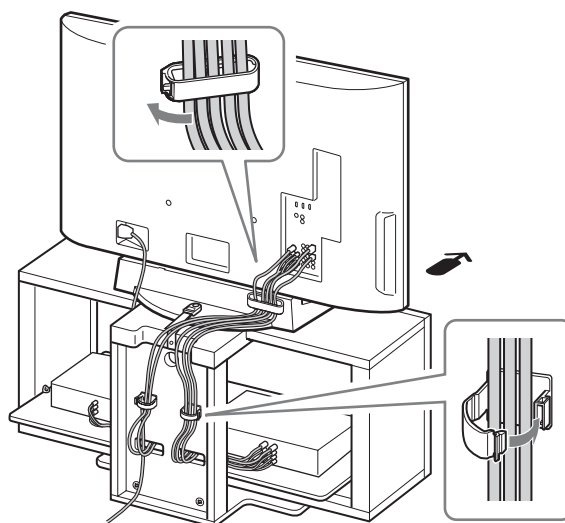
1 Присоединение поддерживающего ремня.

- 1 Закрепите поддерживающий ремень на подставке телевизора с помощью прилагающегося шурупа, используя отвертку.
- 2 Прикрепите поддерживающий ремень к опоре настольного типа и закрепите ремень с помощью фиксирующего винта, используя монету.
- 3 Отрегулируйте длину ремня, натягивая его, одновременно удерживая настольную подставку.



2 Подключение кабелей.

Пропустите кабели через фиксаторы и отверстия в задней стенке.



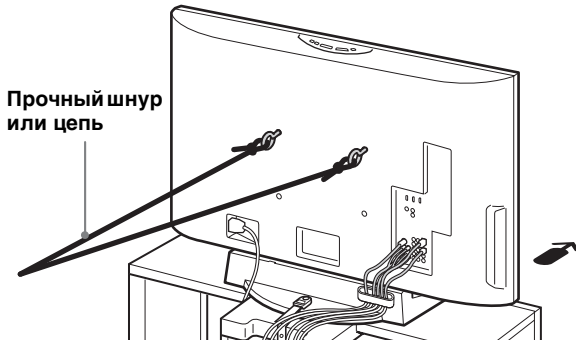
Примечание

В случае неправильного расположения кабелей они могут быть защемлены и повреждены, что может привести к поражению электрическим током и т. п.

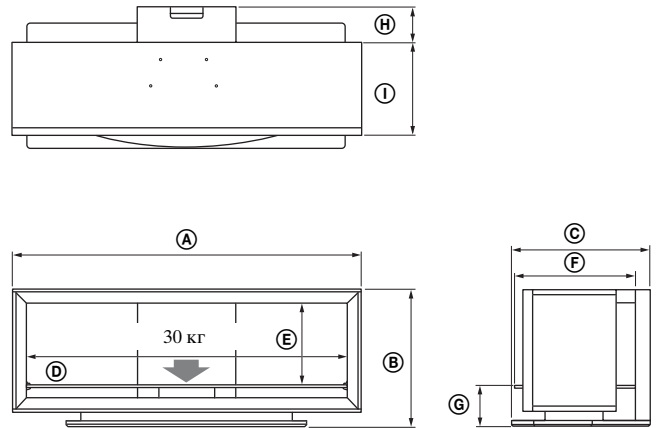
3 Прикрепление телевизора к стене.

Заранее подготовьте имеющийся в продаже прочный шнур или цепь и настенный крепежный кронштейн.

- ❶ Закрепите настенный крепежный кронштейн на прочной стене.
- ❷ Протяните шнур или цепь через оба отверстия в анкерных болтах, а затем закрепите концы шнура или цепи на настенном крепежном кронштейне.



Технические характеристики



Примечание по грузоподъемности

Не размещайте на стеклянной полке оборудование, вес которого превышает максимально допустимый для нее вес, так как она может разбиться и стать причиной травмы.

		SU-FL300M	SU-FL300L
Габариты: мм	Ⓐ	1035	1280
	Ⓑ	503	503
	Ⓒ	485	518
	Ⓓ	895	1140
	Ⓔ	303	303
	Ⓕ	418	468
	Ⓖ	146	146
	Ⓗ	120	130
	Ⓘ	272	340
Вес:		35 кг	52 кг

Конструкция и характеристики могут быть изменены без предварительного уведомления.

Установка центрального громкоговорителя (только для систем домашнего кинотеатра)

Модель центрального громкоговорителя SS-CT71/CNP2200 предназначена для следующих моделей домашних кинотеатров:

DAV-HDX665	HT-SF2000
DAV-HDX466	HT-SF1200
DAV-HDX465	HT-SF1100
DAV-HDX267W	DAV-DZ750K
DAV-HDX266	DAV-DZ630
DAV-HDX265	DAV-DZ556KB
DAV-HDZ235	DAV-DZ555K
	DAV-DZ555M
	DAV-DZ530
	DAV-DZ250KW
	DAV-DZ250K
	DAV-DZ250M
	DAV-DZ231
	DAV-DZ230
	DAV-DZ151KB
	DAV-DZ150K

Модель центрального громкоговорителя SS-CT72/CT74 предназначена для следующих моделей домашних кинотеатров:

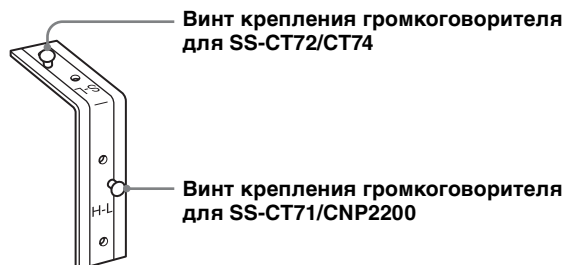
DAV-HDX900W	DAV-DZ1000
DAV-HDX501W	DAV-DZ850KW
DAV-HDX500	DAV-DZ850M
	DAV-DZ830W
	DAV-DZ531W

Примечания

- Указанные выше изделия могут быть изменены без предварительного уведомления, могут быть сняты с производства или отсутствовать на складе.
- Некоторые модели могут быть недоступными в некоторых регионах.

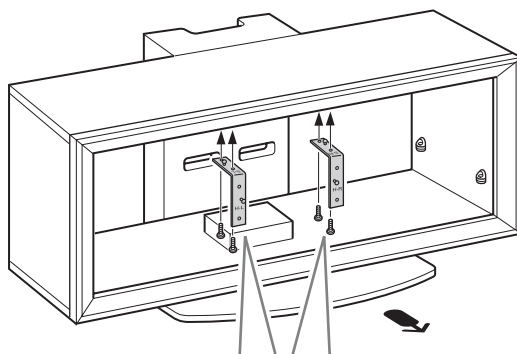
Перед установкой крепления громкоговорителя

В модели SS-CT71/CNP2200 обозначения H-L/H-R должны быть направлены вперед. (H-L обозначает левую сторону, H-R — правую.) В модели SS-CT72/CT74 обозначения S-L/S-R должны быть направлены вперед. (S-L обозначает левую сторону, S-R — правую.)

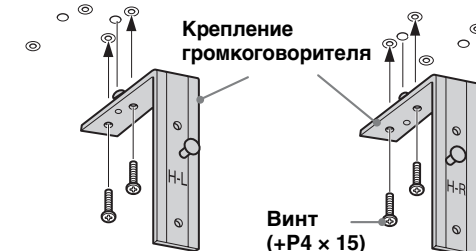


1 Присоединение крепления громкоговорителя.

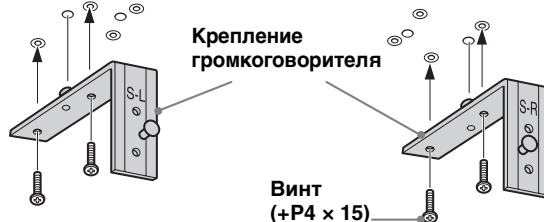
Закрепите каждое крепление прилагаемыми винтами (+P4 × 15) (по два винта для правого и левого крепления) к нижней части верхней полки.



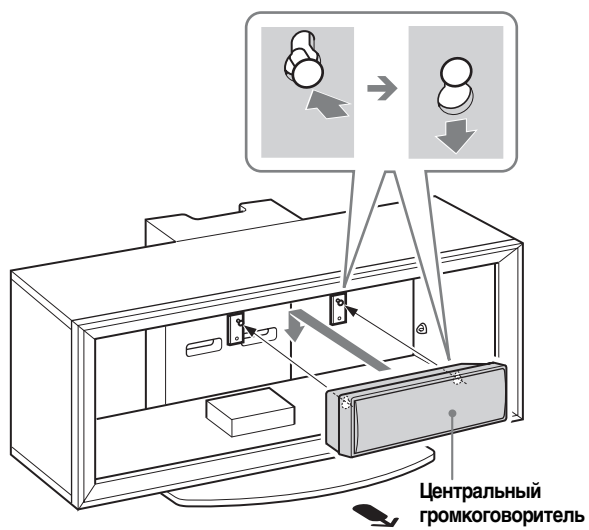
Центральный громкоговоритель: SS-CT71/CNP2200



Центральный громкоговоритель: SS-CT72/CT74



2 Подвешивание центрального громкоговорителя на крепления, как показано на рисунке.



Dziękujemy za zakup niniejszego produktu.

Informacja dla klientów

Niniejszy produkt winien być instalowany wyłącznie przez wykwalifikowanych przedstawicieli serwisu firmy Sony, gdyż niezbędne są do tego co najmniej dwie osoby posiadające odpowiednie umiejętności.

OSTRZEŻENIE

Nieprzestrzeżenie zasad bezpieczeństwa lub niewłaściwe użytkowanie produktu może spowodować poważne uszkodzenia ciała lub pożar.

Niniejszy podręcznik zawiera informacje na temat prawidłowej obsługi produktu oraz istotnych środków ostrożności, pozwalających uniknąć wypadków. Należy uważnie przeczytać niniejszy podręcznik i prawidłowo użytkować produkt. Należy zachować podręcznik na przyszłość.

Informacja dla dystrybutorów Sony

Do instalacji telewizora niezbędne są co najmniej dwie osoby posiadające odpowiednie umiejętności. Podczas instalacji telewizora należy przestrzegać instrukcji zawartych w niniejszym podręczniku. Firma Sony nie odpowiada za żadne wypadki lub szkody powstałe w wyniku niewłaściwego użytkowania lub niewłaściwej instalacji. Podręcznik należy oddać klientowi po zakończeniu instalacji.

Bezpieczeństwo

Produkty firmy Sony są zaprojektowane z myślą o bezpieczeństwie użytkownika. Jeśli produkt jest użytkowany nieprawidłowo, może to spowodować poważne obrażenia ciała w wyniku pożaru, porażenia prądem elektrycznym, przewrócenia lub upadku produktu. Należy przestrzegać zasad bezpieczeństwa w celu uniknięcia wypadków.

PRZESTROGA

Określone produkty

Produkty mogą zostać zmienione bez uprzedzenia. Niektóre modele mogą nie być dostępne w magazynach, mogą już nie być produkowane lub mogą być niedostępne w pewnych regionach.

	Telewizor kolorowy LCD	
SU-FL300M	KDL-46W3500	KDL-40D2600
	KDL-46W3100	KLV-40W300A
	KDL-46W3000	KLV-40V300A
	KDL-46V3100	KLV-40D300A
	KDL-46V3000	KDL-37S3100
	KDL-46VL130	KLV-37S310A
	KDL-46S3000	KDL-32XBR4
	KDL-46D3550	KDL-32V3100
	KDL-46D3500	KDL-32T3000
	KDL-46D3100	KDL-32T2800
	KDL-46D3010	KDL-32T2600
	KDL-46D3000	KDL-32S3100
	KLV-46W300A	KDL-32S3000
	KLV-46V300A	KDL-32SL130
	KLV-46D300A	KDL-32D3100
	KDL-40W3500	KDL-32D3010
	KDL-40W3100	KDL-32D3000
	KDL-40W3000	KDL-32D2810
	KDL-40V3100	KDL-32D2710
	KDL-40V3000	KDL-32D2600
	KDL-40VL130	KLV-32V300A
	KDL-40T3000	KLV-32S310A
	KDL-40T2800	KLV-32D300A
	KDL-40T2600	
	KDL-40S3000	
	KDL-40SL130	
	KDL-40D3550	
	KDL-40D3500	
	KDL-40D3100	
	KDL-40D3010	
	KDL-40D3000	
	KDL-40D2810	
KDL-40D2710		
SU-FL300L	KDL-52W3000	
	KDL-52WL130	
	KDL-46W3000	
	KDL-46V3000	
	KDL-46VL130	
	KDL-46S3000	

Niniejszy stolik TV został zaprojektowany do użytku wyłącznie z powyższymi produktami. W przypadku innych telewizorów należy sprawdzić w ich instrukcjach obsługi, czy niniejszy stolik TV nadaje się do użytku z danym telewizorem.

Do niektórych telewizorów jest dołączona ulotka z objaśnieniami dotyczącymi montażu stolika TV.

OSTRZEŻENIE

Nieprzestrzeżenie poniższych środków ostrożności może prowadzić do poważnych uszkodzeń ciała lub śmierci w wyniku pożaru, porażenia prądem elektrycznym lub przewrócenia produktu.

Produkty winny być instalowane wyłącznie przez wykwalifikowanych przedstawicieli serwisu firmy Sony.

Instalacja dokonana przez osoby niewykwalifikowane grozi poważnymi uszkodzeniami ciała, gdyż telewizor i stolik TV są bardzo ciężkie.

Stolik TV należy zabezpieczyć przed przewróceniem.

W przeciwnym razie telewizor może upaść i spowodować obrażenia ciała.

Telewizor należy zamocować do ściany itp. w celu zabezpieczenia przed przewróceniem.

Stolik TV należy umieścić na płaskiej, stabilnej podłodze.

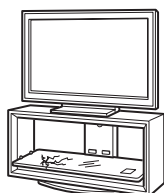
Stolik TV należy ustawić prosto w pozycji poziomej. Pochyłe ustawienie stolika TV grozi jego przewróceniem lub upadkiem telewizora. Może to spowodować uszkodzenia lub obrażenia ciała.

Umieszczając stolik TV na miękkiej powierzchni, jak np. mata czy dywan, należy podłożyć pod niego twardą płytę.

Nie należy używać uszkodzonego stolika TV.

Nie należy korzystać ze stolika TV z widocznymi pęknięciami. Szkło może pęknąć i spowodować upadek telewizora, co z kolei może być przyczyną poważnych obrażeń ciała lub szkód.

Uszkodzony stolik TV



Nie należy opierać się o telewizor ani zwieszać się z telewizora.

Grozi to przewróceniem stolika TV lub upadkiem telewizora i w konsekwencji poważnymi uszkodzeniami ciała lub śmiercią.



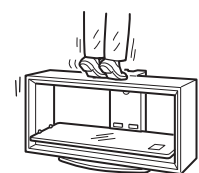
Nie należy pozwalać dzieciom wspinać się na stolik TV ani pełzać między półkami.

Jeśli dziecko wejdzie na stolik TV lub między półki, może dojść do poważnych obrażeń ciała lub śmierci, spowodowanych pęknięciem szkła lub przewróceniem stolika TV i telewizora.



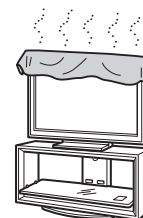
Nie należy wchodzić na stolik TV.

Można spaść lub stłuc szybę i doznać obrażeń ciała.



Nie należy zakrywać otworów wentylacyjnych telewizora.

W przypadku zakrycia otworów wentylacyjnych (np. obrusem) zbyt duża temperatura wewnątrz urządzenia może spowodować pożar.



Należy uważać, by nie przytrzasnąć przewodu zasilającego lub przewodu łączącego.

- Należy uważać, by nie przytrzasnąć przewodu zasilającego lub przewodu łączącego podczas instalacji telewizora na stoliku TV. Uszkodzenie przewodu zasilającego lub przewodu łączącego grozi pożarem lub porażeniem prądem elektrycznym.
- Należy uważać, aby nie nadeprnąć na przewód łączący podczas przenoszenia stolika TV. Grozi to uszkodzeniem przewodu zasilającego lub przewodu łączącego, a w rezultacie pożarem lub porażeniem prądem elektrycznym.



Nie należy przenosić stolika TV z zamocowanym telewizorem lub podłączonym sprzętem.

Przenoszenie stolika TV z zamocowanym telewizorem może uszkodzić kręgosłup, a stolik TV może się przewrócić, powodując poważne obrażenia. Ponadto cały podłączony sprzęt może upaść, rozbijając szklane półki lub powodując inne szkody.



PRZESTROGA

Nieprzestrzeganie poniższych zasad bezpieczeństwa może spowodować obrażenia ciała lub szkody materialne.

Nie należy mocować na stoliku TV innych urządzeń niż określone w specyfikacji.

- Niniejszy stolik TV został zaprojektowany do użytku wyłącznie z powyższym produktem. W przypadku montażu urządzeń innych niż określonych w specyfikacji, może to spowodować upadek lub uszkodzenie oraz obrażenia ciała.
- Na stoliku TV nie wolno umieszczać takich przedmiotów, jak wazony itp.
- Nie wolno dokonywać żadnych modyfikacji w stoliku TV.
- Nie wolno umieszczać gorących przedmiotów bezpośrednio na stoliku TV. Wysoka temperatura może spowodować odbarwienia i deformację stolika TV.
- Nie wolno umieszczać bezpośrednio na stoliku TV przedmiotów, które mogą uszkodzić szkło.

Należy odpowiednio zamocować telewizor.

Należy zamocować telewizor na stoliku TV za pomocą dołączonych elementów kotwiących. Nieodpowiednie zamocowanie telewizora grozi jego upadkiem, przewróceniem stolika TV i w konsekwencji obrażeniami ciała.

Nie należy obciążać szklanej powierzchni ani narażać jej na uderzenia.

Nie należy opierać się na stoliku TV podczas instalacji telewizora. Nie należy uderzać w stolik TV twardymi przedmiotami, jak np. śrubokręt itp. Grozi to stłuczeniem szklanych elementów i obrażeniami ciała.

Przenoszenie stolika TV

Samodzielne przenoszenie stolika TV lub nieprzestrzeganie odpowiednich procedur grozi obrażeniami ciała. Aby tego uniknąć, należy stosować się do poniższych wskazówek.

- Stolik TV powinny przenosić co najmniej dwie osoby wyłącznie po uprzednim zdjęciu telewizora, dołączonego sprzętu i szklanych półek.
- Nie wolno przesuwania stolika TV po podłożu. Elementy bazowe stolika TV mogą zsunąć się i uszkodzić podłogę.
- Należy uważać, aby nie przycisnąć dłoni lub stóp podstawą.

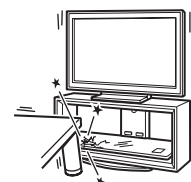
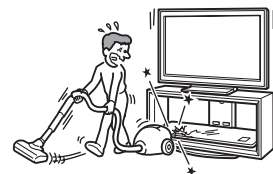
- Podczas przenoszenia stolika TV nie należy chwycić za szklaną półkę.

Należy chronić szklane elementy przed nadmiernymi wstrząsami.

Stolik TV wykonany został z hartowanego szkła, ale mimo to należy zachować ostrożność.

W przypadku stłuczenia szkła, jego odłamki mogą spowodować uszkodzenia ciała, zatem należy stosować poniższe środki ostrożności.

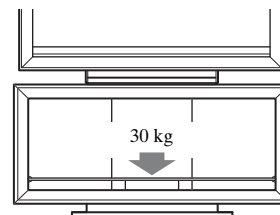
- Nie należy uderzać w elementy szklane ani upuszczać na nie zaostzonych przedmiotów. Unikać nadmiernych wstrząsów.
- Nie należy zarysowywać elementów szklanych ani stukać w nie zaostzonymi przedmiotami.
- Nie należy uderzać w brzegi szklanych elementów twardymi przedmiotami, jak np. odkurzacz.



Uwagi dotyczące nośności

Nie wolno umieszczać żadnego sprzętu o wadze przekraczającej maksymalną nośność dla każdej półki, jak podano na rysunku.

W przeciwnym wypadku półki mogą pęknąć.



Uwagi dotyczące instalacji

- Podczas montażu, w celu uniknięcia uszkodzeń podłoga należy wyłożyć je materiałami, w jakie był owinięty produkt.
- Stolik TV należy umieścić na płaskiej, stabilnej podłodze. Nie należy ustawiać stolika TV pod kątem lub w pozycji pochylonej. Aby tego uniknąć, należy stosować poniższe środki ostrożności.
 - Nie należy instalować stolika TV w miejscu narażonym na bezpośrednie działanie promieni słonecznych lub w pobliżu grzejnika.
 - Nie należy instalować stolika TV w miejscu wilgotnym, o wysokiej temperaturze lub na otwartym powietrzu.

Uwagi dotyczące eksploatacji

Aby utrzymać stół TV w czystości, należy przecierać go od czasu do czasu miękką suchą ściereczką. Poważniejsze zabrudzenia należy usuwać za pomocą ściereczki lekko zwilżonej delikatnym roztworem mydła. Następnie wytrzeć miękką suchą ściereczką. Nie należy stosować środków chemicznych, takich jak rozcieńczalnik lub benzyna, gdyż uszkadzają one powierzchnię stołu TV.

Informacja dla dystrybutorów Sony

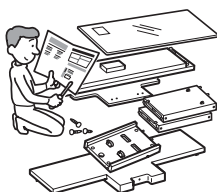
Należy uważnie przeczytać powyższe uwagi dotyczące bezpieczeństwa i zwracać szczególną uwagę na bezpieczeństwo podczas instalacji, konserwacji, przeglądu oraz naprawy produktu.

Prace instalacyjne winny wykonywać co najmniej dwie osoby.

Co najmniej dwie osoby winny mocować telewizor na stole TV. W przypadku wykonywania prac instalacyjnych przez jedną osobę, grozi to wypadkiem lub obrażeniami ciała. Nie należy pozwalać dzieciom zbliżać się do miejsca prac instalacyjnych.

Stół TV należy zmontować ściśle według poniższych wskazówek.

Niedostatecznie dokręcenie wkrętów lub ich wypadnięcie może spowodować przewrócenie stołu TV. Może to grozić uszkodzeniami lub obrażeniami ciała.



Podczas instalacji należy uważać, aby nie zranić rąk lub palców.

Należy uważać, aby nie przyciąć rąk lub palców podczas instalacji telewizora na stole TV.

Telewizor należy zainstalować zgodnie z poniższymi wskazówkami.

Odpowiednio dokręcić wkręty. Niewłaściwe zamocowanie telewizora grozi jego upadkiem i obrażeniami ciała.

Krok 1: Sprawdzanie części

Nazwa		Ilość
Płyta górna		1
Podstawa		1
Kolumna boczna (L)* ¹		1
Kolumna boczna (R)* ¹		1
Kolumna tylna		1
Panel przedni		1
Szklana półka		1
Wkręt (+PWH5 × 25)		a* ⁴ 8
Wkręt (+K4 × 20) + tulejka		b* ⁴ 2
Wkręt blokujący		c* ⁴ 4
Wkręt (+P4 × 15)		d* ⁴ 4
Wkręt kotwowy		e* ⁴ 2
Nakładka na wkręt		f* ⁴ 3
Pas mocujący		g* ⁴ 1
Wkręt (M6 × 18)		
Wkręt do drewna (M3,8 × 20)		
Uchwyt mocujący głośnika (L)		1
Uchwyt mocujący głośnika (R)		1
Szablon papierowy		4* ²
		3* ³
Taśma		1

*¹ Powyższe ilustracje przedstawiają model SU-FL300M. Różni się on od modelu SU-FL300L. W modelu SU-FL300L na boku kolumny bocznej znajdują się dwa wycięcia.

*² W skład zestawu ze stolikiem SU-FL300M wchodzi cztery szablony papierowe.

*³ W skład zestawu ze stolikiem SU-FL300L wchodzi trzy szablony papierowe.

(ciąg dalszy)

5 (PL)

*4 Woreczki z częściami są oznaczone kolejnymi literami alfabetu.

Przed przystąpieniem do instalacji przygotować odpowiedni wkrętak krzyżowy pasujący do wskazanych wkrętów.

Krok 2: Montaż stolika TV

OSTRZEŻENIE

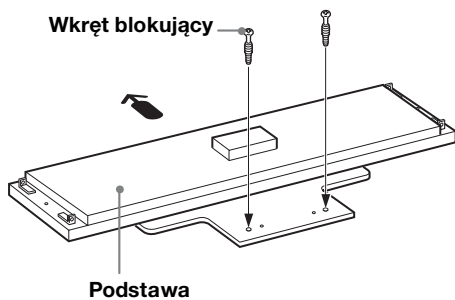
Przytrzaśnięcie przewodu zasilającego pod lub między częściami urządzenia może spowodować zwarcie lub porażenie prądem elektrycznym. Potknięcie się o przewód zasilający lub przewód łączący grozi przewróceniem stolika TV i w konsekwencji obrażeniami ciała.

Należy wybrać miejsce ustawienia i położyć stół TV przed zamocowaniem telewizora.

Ponieważ telewizor jest ciężki, zaleca się wcześniej wybrać miejsce ustawienia i złożyć stół TV na miejscu przed zamocowaniem odbiornika.

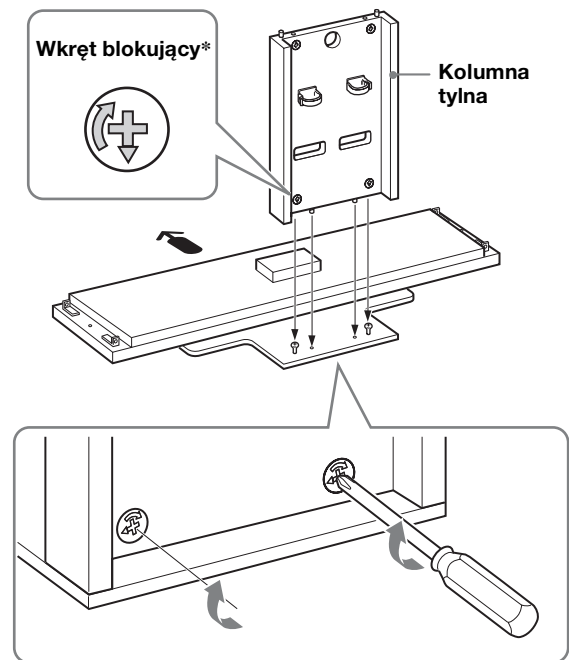
1 Zamontować kolumnę tylną na podstawie.

- 1 Wkręcić dwa wkręty blokujące w podstawę.



← Kierunek strzałki wskazuje przód stolika TV.

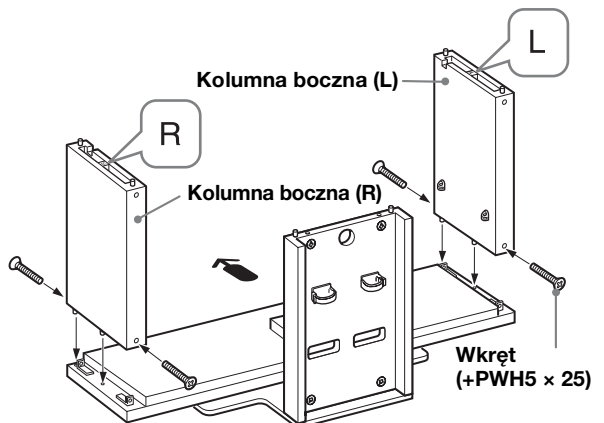
- 2 Zamontować kolumnę tylną na podstawie i dokręcić dwa wkręty blokujące wkrętakiem.



* Przed zamontowaniem kolumny tylnej należy upewnić się, że znak ∇ jest skierowany w dół.

2 Zamontować kolumny boczne na podstawie.

Skręcić kolumny boczne i podstawę czterema wkrętami dołączonymi do zestawu (+PWH5 × 25).

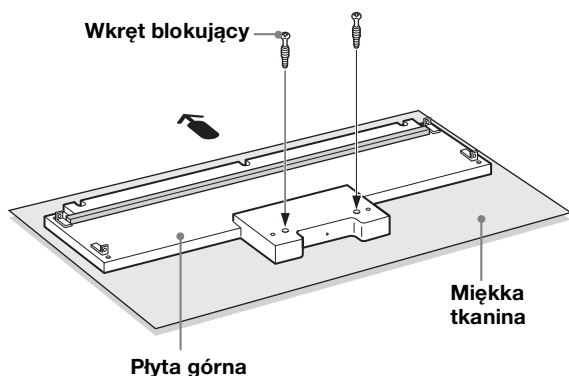


Uwaga

Lewa i prawa kolumna różnią się od siebie. Należy pamiętać, aby zamontować każdą z nich po właściwej stronie.

3 Zamontować płytę górną.

- 1 Wkręcić dwa wkręty blokujące w płytę górną.

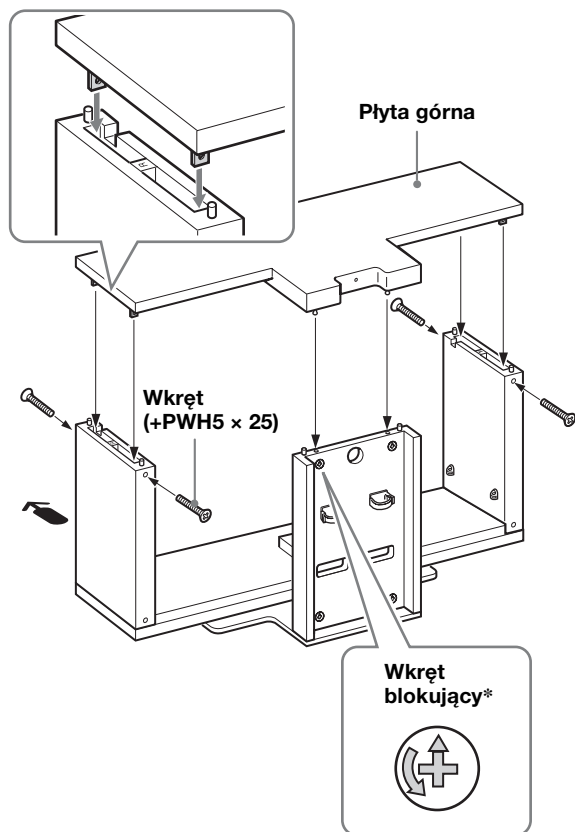


Na ilustracji, jako przykład, pokazano model SU-FL300M. W modelu SU-FL300L na płycie górnej znajdują się dwa słupki usztywniające.

Uwaga

Aby uniknąć uszkodzenia błyszczącej powierzchni płyty górnej, należy oczyścić powierzchnię roboczą i położyć na niej miękką tkaninę.

- 2 Wyrównać i założyć wsporniki ustalające po obu stronach płyty górnej na kolumny boczne.
- 3 Przykręcić kolumny boczne czterema wkrętami dołączonymi do zestawu (+PWH5 × 25). Dokręcić dwa pozostałe wkręty blokujące z tyłu kolumny tylnej.



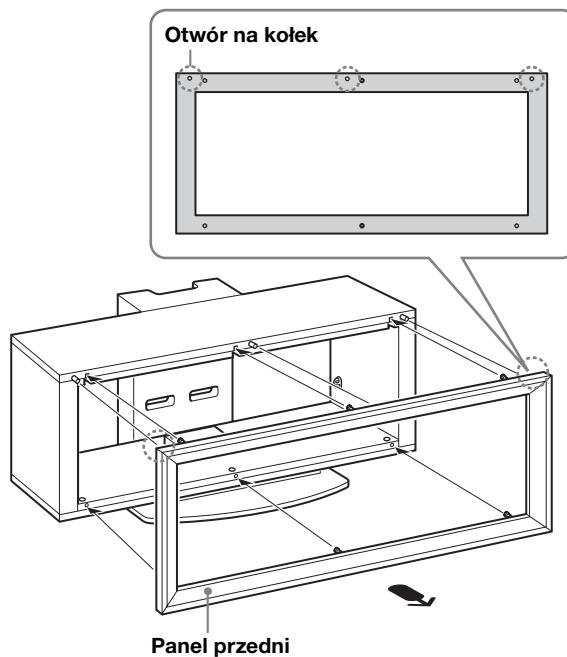
* Przed zamontowaniem płyty górnej należy upewnić się, że znak Δ jest skierowany w górę.

Uwaga

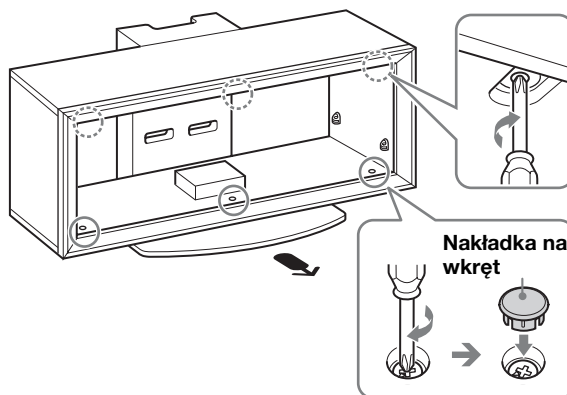
Podczas montażu płyty górnej należy uważać, aby nie przyciąć sobie palców.

4 Przymocować panel przedni do stolika TV.

- 1 Włożyć trzy kołki stolika TV do trzech otworów w panelu przednim.



- 2 Wkręcić sześć wkrętów blokujących w płycie górnej i podstawie w kierunku zgodnym z ruchem wskazówek zegara, aby zamontować panel przedni. Następnie założyć trzy znajdujące się w zestawie nakładki na trzy dolne wkręty.



Uwaga

Należy pamiętać, że panel przedni musi być zamontowany we właściwym kierunku.

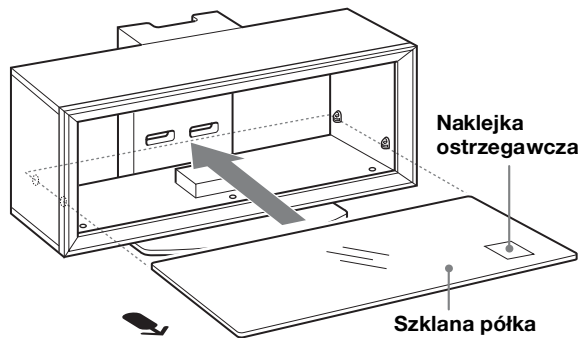
(ciąg dalszy)

7 (PL)

5 Zamocować szklaną półkę.

Jeśli zestaw kina domowego zostanie podłączony do stolika, należy najpierw zamocować uchwyty mocujące głośników (informacje na ten temat znajdują się w rozdziale „Instalowanie głośnika środkowego (dotyczy tylko zestawów kina domowego)” na stronie 13.)

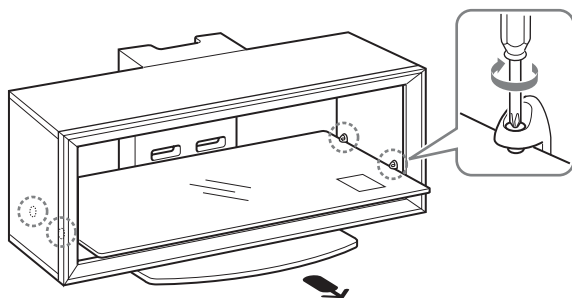
- 1 Całkowicie włożyć szklaną półkę, tak aby dotknęła kolumny tylnej.



Uwaga

Wsunąć szklaną półkę do stolika TV naklejką ostrzegawczą w prawym górnym rogu, jak pokazano na ilustracji.

- 2 Dokręcić cztery wkręty w kolumnach bocznych, aby przymocować szklaną półkę do stolika TV.



Krok 3: Przygotowanie do instalacji telewizora

1 Zamocować tulejki w płycie górnej.

Przykręcić tulejki wkrętami (+K4 × 20) znajdującymi się w zestawie.

Dla modeli niewymienionych na stronie 2:

Użyć otworów przednich.

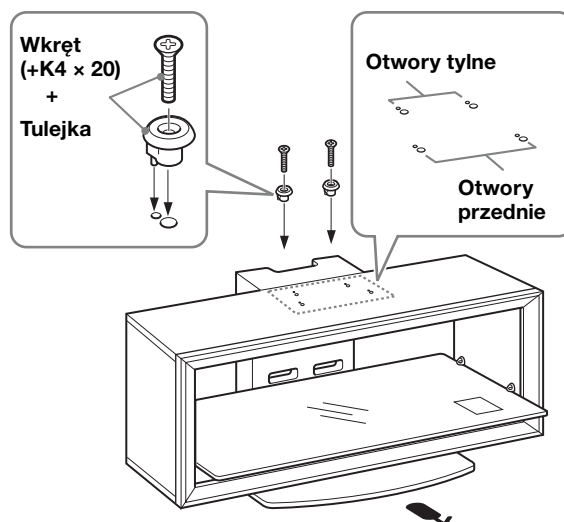
Dla modeli wymienionych na stronie 2:

Dla modeli uchylnych* użyć otworów tylnych; dla innych modeli użyć otworów przednich.

Uwaga

Informacje o tym, czy telewizor można odchyłać, znajdują się w jego instrukcji obsługi.

* Dzięki możliwości uchylenia można regulować kąt ustawienia telewizora (w lewo i w prawo).



2 Nakleić szablon papierowy dołączony do zestawu na płytę górną.

- 1 Wybrać jeden z szablonów papierowych znajdujących się w zestawie i przyłożyć prawy róg szablonu do prawego rogu płyty górnej.

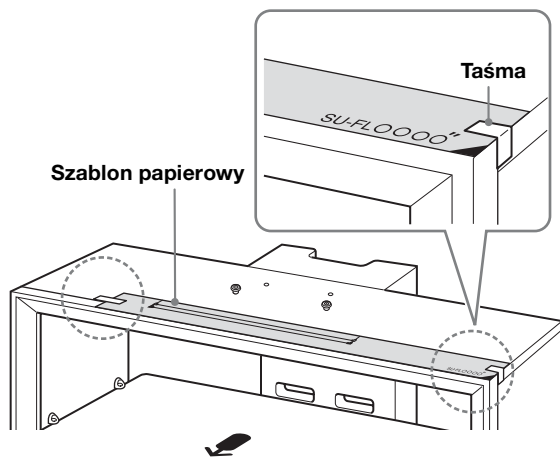
Dla modeli niewymienionych na stronie 2:

Sprawdzić w instrukcji obsługi telewizora, który z szablonów papierowych należy wybrać.

Dla modeli wymienionych na stronie 2:

Wybrać szablon papierowy w kolorze czarnym i o wielkości odpowiadającej wielkości telewizora.

- 2 Przykleić szablon do płyty górnej taśmą dołączoną do zestawu.



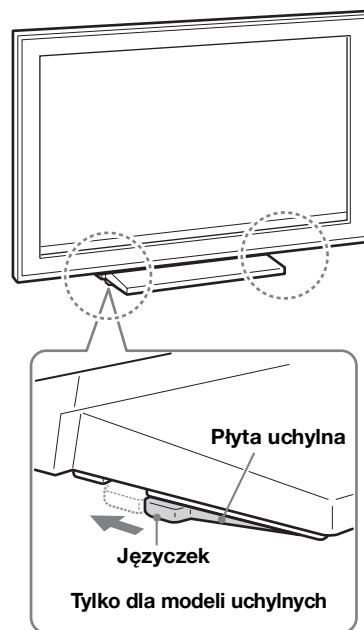
Krok 4: Instalacja telewizora

Zamontować telewizor na stojaku stołowym, jeśli nie został zamontowany wcześniej.

Tylko dla modeli uchylnych wymienionych na stronie 2: wykonać 1. część procedury opisanej w kroku 4.

1 Ustawić płytę uchylną na środku (Tylko dla modeli uchylnych).

Przed rozpoczęciem instalowania telewizora należy włożyć języczek płyty uchylniej do wycięcia w stojaku stołowym.



OSTRZEŻENIE

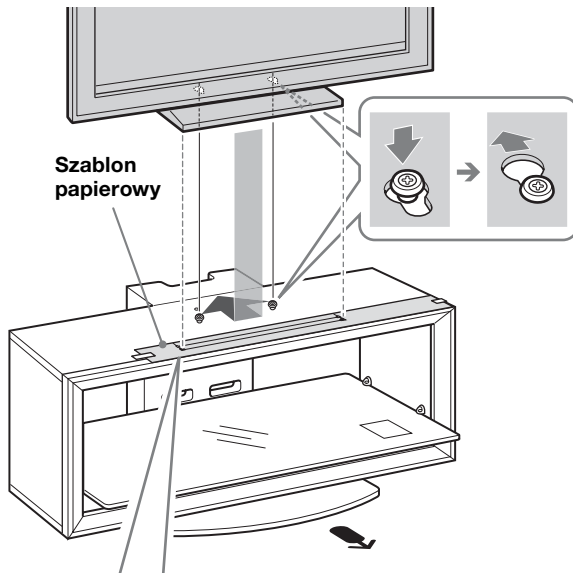
Jeśli płyta uchylna nie zostanie odpowiednio ustawiona, telewizor może nie być prawidłowo zamontowany i może upaść.

(ciąg dalszy)

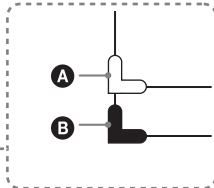
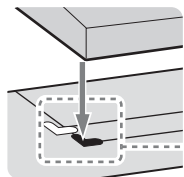
9 (PL)

2 Zamocować telewizor na stoliku TV.

- 1 Dopasować kontur stojaka stołowego do konturu ekranu telewizora i narożników na szablonie papierowym, aby dopasować otwory w dolnej części stojaka do tulejek przykręconych w 1. części procedury opisanej w kroku 3.
- 2 Wsunąć telewizor, tak aby zablokował się w odpowiedniej pozycji.
- 3 Usunąć szablon papierowy z płyty górnej.



Tylko dla modeli uchylnych wyszczególnionych na stronie 2



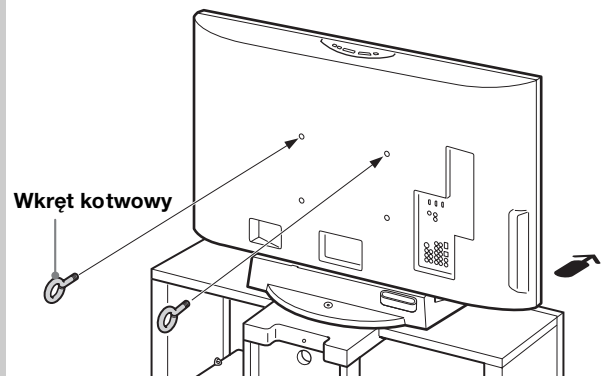
- A Biały narożnik dotyczy modeli uchylnych.
- B Czarny narożnik dotyczy pozostałych modeli.

Uwaga

Użytkownicy telewizorów 37/40-calowych (uchylnych lub nie) powinni dopasować stojak stołowy do czarnego narożnika. (na szablonie do modeli 37-calowych i 40-calowych nie ma białego narożnika).

3 Zamocować wkręty kotwowe.

Wkręcić dwa wkręty kotwowe dołączone do zestawu w tylną ściankę telewizora.



Uwaga

Jeśli nie użyje się dwóch wkrętów kotwowych, telewizor może się przewrócić i spowodować obrażenia ciała.

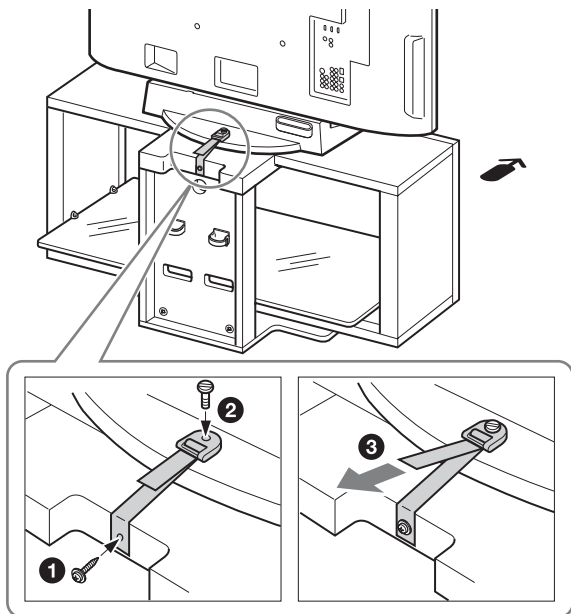
Krok 5: Środki ostrożności chroniące przed przewróceniem

OSTRZEŻENIE

Stolik TV należy zabezpieczyć przed przewróceniem. Przewrócenie stolika może spowodować uszkodzenia ciała i szkody.

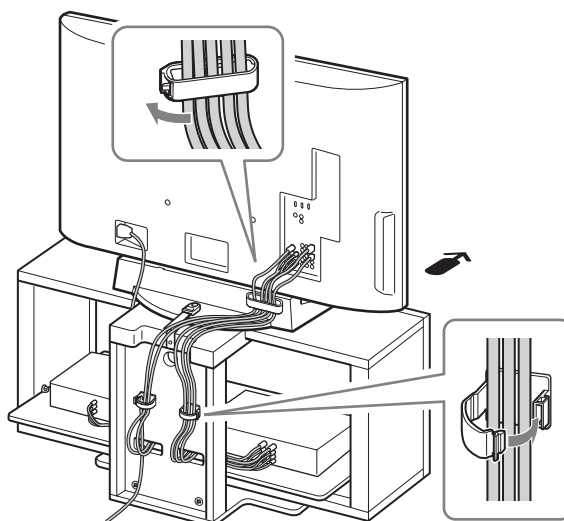
1 Założyć pas mocujący.

- 1 Przykręcić pas mocujący do stolika TV za pomocą wkrętu do drewna znajdującego się w zestawie i wkrętaka.
- 2 Przyłożyć pas mocujący do stolika TV i przykręcić go wkrętem zabezpieczającym znajdującym się w zestawie, korzystając w tym celu z monety itp.
- 3 Trzymając stojak stołowy, ustawić odpowiednią długość, zaciskając pas mocujący.



2 Podłączyć przewody.

Przeciągnąć przewody przez uchwyty i otwory w kolumnie tylnej.



Uwaga

Jeśli przewody nie zostaną zainstalowane prawidłowo, mogą się przyciąć i ulec uszkodzeniu, co z kolei może spowodować porażenie prądem elektrycznym itp.

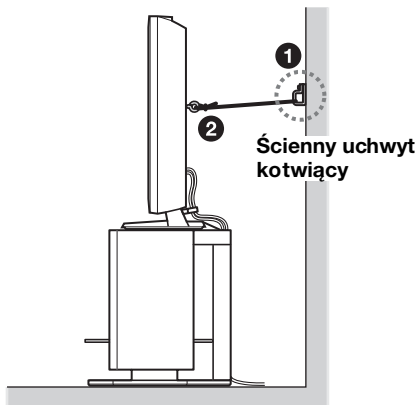
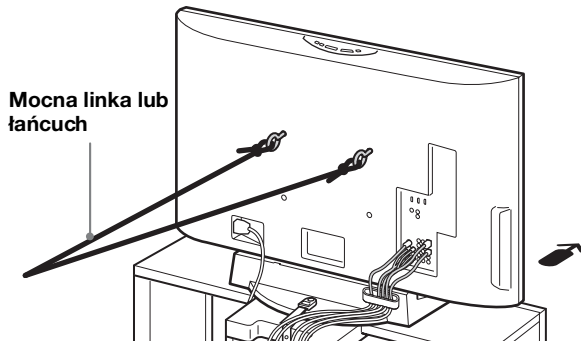
(ciąg dalszy)

11 (PL)

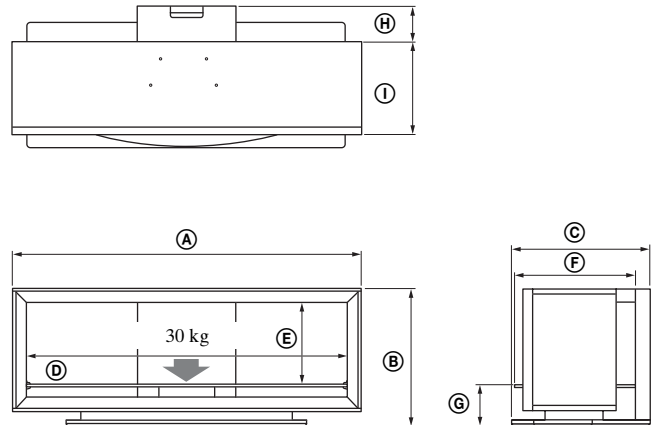
3 Przymocować telewizor do ściany.

W tym celu należy przygotować dostępną w sprzedaży mocną linkę lub łańcuch oraz uchwyt kotwiący.

- ❶ Zamocować uchwyt kotwiący w solidnej ścianie.
- ❷ Przeciągnąć linkę lub łańcuch przez obydwa otwory we wkrętach kotwowych, a następnie przymocować drugi koniec linki lub łańcucha do ściennego uchwyty kotwiącego.



Dane techniczne



Uwagi dotyczące nośności

Na szklanej półce nie wolno umieszczać żadnego sprzętu o wadze przekraczającej maksymalną nośność półki, ponieważ grozi to jej stłuczeniem i obrażeniami ciała.

		SU-FL300M	SU-FL300L
Wymiary: mm	Ⓐ	1 035	1 280
	Ⓑ	503	503
	Ⓒ	485	518
	Ⓓ	895	1 140
	Ⓔ	303	303
	Ⓕ	418	468
	Ⓖ	146	146
	Ⓗ	120	130
	Ⓘ	272	340
Waga:		35 kg	52 kg

Projekt i dane techniczne mogą ulec zmianie bez uprzedzenia.

Instalowanie głośnika środkowego (dotyczy tylko zestawów kina domowego)

Głośnik środkowy SS-CT71/CNP2200 jest przeznaczony do współpracy z następującymi zestawami kina domowego:

DAV-HDX665	HT-SF2000
DAV-HDX466	HT-SF1200
DAV-HDX465	HT-SF1100
DAV-HDX267W	DAV-DZ750K
DAV-HDX266	DAV-DZ630
DAV-HDX265	DAV-DZ556KB
DAV-HDZ235	DAV-DZ555K
	DAV-DZ555M
	DAV-DZ530
	DAV-DZ250KW
	DAV-DZ250K
	DAV-DZ250M
	DAV-DZ231
	DAV-DZ230
	DAV-DZ151KB
	DAV-DZ150K

Głośnik środkowy SS-CT72/CT74 jest przeznaczony do współpracy z następującymi zestawami kina domowego:

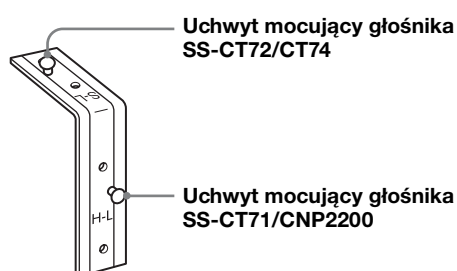
DAV-HDX900W	DAV-DZ1000
DAV-HDX501W	DAV-DZ850KW
DAV-HDX500	DAV-DZ850M
	DAV-DZ830W
	DAV-DZ531W

Uwaga

- W produktach mogą być bez powiadomienia wprowadzane zmiany, produkty mogą nie być dostępne w magazynie lub mogą już nie być produkowane.
- Pewne modele mogą nie być dostępne w określonych regionach.

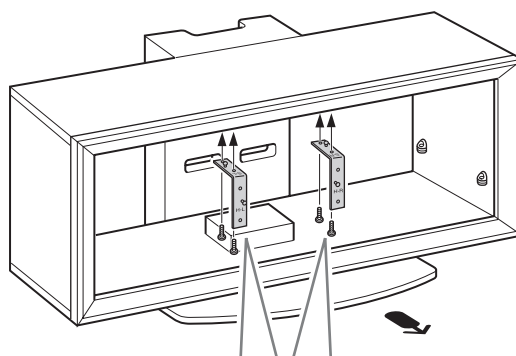
Przed zamontowaniem uchwytu mocującego głośnika:

W przypadku modelu SS-CT71/CNP2200 oznaczenia H-L/H-R powinny być skierowane do przodu (H-L – lewa strona, H-R – prawa strona).
W przypadku modelu SS-CT72/CT74 oznaczenia S-L/S-R powinny być skierowane do przodu (S-L – lewa strona, S-R – prawa strona).

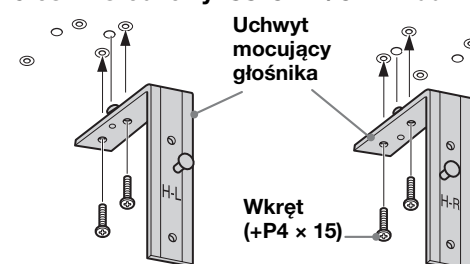


1 Zamontować uchwyt mocujący głośnika.

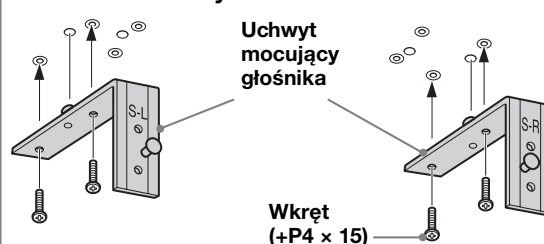
Każdy uchwyt dokręcić za pomocą wkrętów dołączonych do zestawu (+P4 × 15) (po dwa wkręty na każdą stronę) do spodu płyty górnej.



Głośnik środkowy: SS-CT71/CNP2200



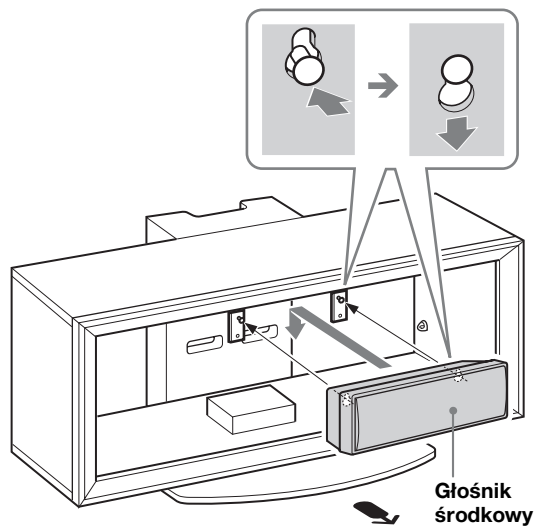
Głośnik środkowy: SS-CT72/CT74



(ciąg dalszy)

13 (PL)

2 Zawiesić głośnik środkowy na uchwytych mocujących w sposób pokazany na rysunku.



Děkujeme Vám, že jste si zakoupili tento výrobek.

Pro zákazníky

Tento výrobek může být instalován pouze kvalifikovanými servisními pracovníky společnosti Sony, neboť instalace vyžaduje více než dvě osoby, odborný přístup, zajištění a pracovní postup.

VAROVÁNÍ

Nedodržení bezpečnostních předpisů nebo nesprávné používání výrobku může způsobit vážné zranění nebo požár.

Tento návod k obsluze popisuje správné zacházení s výrobkem a důležitá preventivní opatření pro zabránění úrazům. Přečtěte si pozorně tento návod a používejte výrobek správně. Uchovejte návod pro případné další použití.

Pro zástupce společnosti Sony

Instalace televizoru vyžaduje více než dvě osoby, odborný přístup, zajištění a pracovní postup. Během instalace televizoru se řiďte pokyny uvedenými v návodu. Sony nezodpovídá za jakékoliv škody způsobené nesprávnou instalací nebo použitím produktu. Po ukončení instalace předejte tuto příručku zákazníkovi.

Bezpečnost

Produkty Sony jsou navrhovány s ohledem na bezpečnost. Nesprávné použití může způsobit vážná poranění popálením, elektrickým proudem, převrácením nebo pádem produktu. Předcházejte podobným nehodám dodržováním pravidel bezpečnosti práce.

UPOZORNĚNÍ

Uvedené produkty

Produkty uvedené níže mohou být změněny bez předchozího upozornění. Některé modely mohou být vyprodané, nedostupné v některých oblastech, nebo mohla být jejich výroba ukončena.

	Barevný LCD televizor	
SU-FL300M	KDL-46W3500	KDL-40D2600
	KDL-46W3100	KLV-40W300A
	KDL-46W3000	KLV-40V300A
	KDL-46V3100	KLV-40D300A
	KDL-46V3000	KDL-37S3100
	KDL-46VL130	KLV-37S310A
	KDL-46S3000	KDL-32XBR4
	KDL-46D3550	KDL-32V3100
	KDL-46D3500	KDL-32T3000
	KDL-46D3100	KDL-32T2800
	KDL-46D3010	KDL-32T2600
	KDL-46D3000	KDL-32S3100
	KLV-46W300A	KDL-32S3000
	KLV-46V300A	KDL-32SL130
	KLV-46D300A	KDL-32D3100
	KDL-40W3500	KDL-32D3010
	KDL-40W3100	KDL-32D3000
	KDL-40W3000	KDL-32D2810
	KDL-40V3100	KDL-32D2710
	KDL-40V3000	KDL-32D2600
	KDL-40VL130	KLV-32V300A
	KDL-40T3000	KLV-32S310A
	KDL-40T2800	KLV-32D300A
	KDL-40T2600	
	KDL-40S3000	
	KDL-40SL130	
	KDL-40D3550	
KDL-40D3500		
KDL-40D3100		
KDL-40D3010		
KDL-40D3000		
KDL-40D2810		
KDL-40D2710		
SU-FL300L	KDL-52W3000	
	KDL-52WL130	
	KDL-46W3000	
	KDL-46V3000	
	KDL-46VL130	
	KDL-46S3000	

Stojan je určen k použití s výše uvedenými produkty. Chcete-li jej použít s jiným televizorem ujistěte se v příručce k televizoru, zda je to možné. K některým televizorům je přidáván prospekt s návodem jak stojan instalovat.

VAROVÁNÍ

Nedodržení následujících bezpečnostních opatření může způsobit vážná poranění popálením, elektrickým proudem, převrácením nebo pádem produktu.

Instalaci produktu smí provádět pouze kvalifikovaní zaměstnanci firmy Sony.

Televizor a stojan jsou velmi těžké. Instalace prováděná nekvalifikovanými osobami může mít za následek vážná poranění.

Ujistěte se, že jste učinili nezbytná opatření k zamezení převrácení stojanu.

Neučiníte-li tak, může dojít k převrácení televizoru a způsobení zranění. Připevněte televizor ke zdi, sloupu, apod. pro zamezení převrácení.

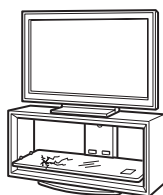
Ujistěte se, že je stojan umístěn na pevném a rovném povrchu.

Neinstalujte stojan na nerovném povrchu. Učiníte-li tak, může dojít k převrácení stojanu nebo k pádu televizoru. Může dojít ke zranění nebo způsobení škody. Před instalací na měkkém povrchu (koberci, rohoži apod.) umístěte na určené místo pevnou desku.

Nepoužívejte stojan, pokud je poškozený.

Nepoužívejte stojan, pokud jsou v něm praskliny. V opačném případě může dojít k převrácení televizoru a způsobení vážných zranění nebo škod.

Poškozený stojan



O televizor se neopírejte a nezavěšujte se na něj.

Může dojít k převrácení stojanu, pádu televizoru a způsobení vážných zranění nebo úmrtí.



Zabraňte dětem v lezení po stojanu nebo v lezení mezi policemi.

Budou-li děti šplhat na televizní stojan nebo dostanou-li se mezi police, může dojít k vážným zraněním nebo úmrtí v důsledku prolomení skla nebo převrácení stojanu a televizoru.



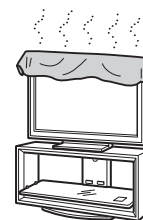
Nestoupejte si na stojan.

Může dojít ke zranění pádem nebo prolomením skla.



Nezakrývejte ventilační otvory televizoru.

Zakryjete-li ventilační otvory (látkou apod.), může dojít k požáru v důsledku zvýšení vnitřní teploty.



Zamezte přiskřípnutí AC síťového kabelu nebo přípojovacího kabelu.

- Během instalace televizoru na stojan zamezte přiskřípnutí AC síťového kabelu nebo přípojovacího kabelu. Poškozený síťový AC kabel nebo přípojovací kabel může způsobit požár nebo elektrický šok.
- Při pohybování stojanem dbejte na to, abyste nestoupali na AC síťový kabel nebo přípojovací kabel. Poškozený síťový AC kabel nebo přípojovací kabel může způsobit požár nebo elektrický šok.



Nehýbejte stojanem společně s připojeným televizorem nebo zařízeními uvnitř stojanu.

Butete-li pohybovat stojanem s připojeným televizorem, může dojít k poranění zad nebo pádu stojanu. Rovněž může dojít k pádu připojených zařízení, rozbití skleněné police a jiným hmotným škodám.



UPOZORNĚNÍ

V případě nedodržení následujících opatření může dojít k poranění nebo hmotným škodám.

Neinstalujte žádná zařízení kromě uvedeného produktu.

- Stojan je určen k použití pouze s výše uvedenými produkty. V případě instalace nevhodného zařízení může dojít k pádu, poškození, nebo poranění.
- Na stojan neumísťte křehké předměty, např. vázy, keramiku apod.
- Neupravujte stojan.
- Neumisťte na stojan horké předměty. V opačném případě může dojít k deformaci nebo odbarvení stojanu.
- Nepokládejte na stojan předměty které by mohly poškodit skleněný povrch.

Ujistěte se, že je televizor zajištěn.

Zajistěte televizor na stojanu s pomocí dodaných ukotvovacích zařízení. Pokud televizor není řádně nainstalován a zajištěn, může dojít následkem převrácení stojanu ke zranění.

Nepokládejte na skleněný povrch těžké předměty a nevystavujte ho úderům nebo nárazům.

Během instalace televizoru na stojan netlačte a neopírejte se o něj. Nevystavujte stojan úderům tvrdými předměty, např. šroubovákem. Může dojít k poškození skla a ke zranění.

Přenášení stojanu

V případě že při přenášení nebo posouvání stojanu nedodržíte určitá pravidla, může dojít ke zranění. Z tohoto důvodu se řiďte níže uvedenými radami.

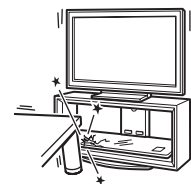
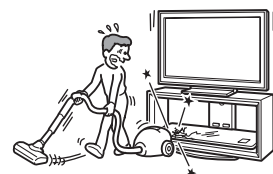
- K přenášení stojanu je zapotřebí nejméně dvou osob. Před přenášením odstraňte ze stojanu televizor, připojené zařízení a skleněné police.
- Nepřemisťujte stojan posouváním nebo vlečením. Spodní díly stojanu by se mohly odlomit a poškodit podlahu.
- Dbejte na to, aby nedošlo k přiskřípnutí končetin pod spodní deskou stojanu.
- Nezvedejte stojan uchopením za skleněnou polici.

Nevystavujte sklo silným úderům.

Stojan je vyroben z tvrzeného skla, přesto je opatrnost nutná.

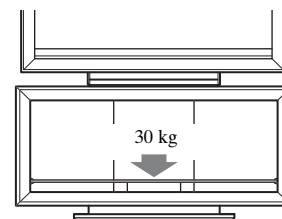
V případě poškození skla může dojít ke zranění střepy, dodržujte proto pravidla uvedená níže.

- Nevystavujte sklo pádu ostrých předmětů na jeho povrch. Nevystavujte sklo silným úderům.
- Povrch skla neškrábejte ani do něj nebedejte ostrými předměty.
- Nevystavujte okraje skla nárazům tvrdými předměty, např. vysavačem.



Poznámka k nosnosti

Neumisťte na stojan předměty, jejichž váha přesahuje maximální možnou hodnotu uvedenou na obrázku. Police by se mohly prolomit.



Poznámky k instalaci

- Během sestavování stojanu rozložte balící materiál po podlaze, aby se předešlo jejímu poškození.
- Ujistěte se, že je stojan umístěn na pevném a rovném povrchu. Neumisťte stojan na šikmém nebo nerovném povrchu. Řiďte se níže uvedenými pokyny.
 - Neinstalujte stojan na místě vystaveném přímému slunečnímu svitu nebo v blízkosti topení.
 - Neinstalujte stojan na vlhkém místě nebo mimo budovu.

Poznámky k používání

Čistěte stojan otřením suchou a měkkou látkou. Těžko odstranitelné skvrny lze odstranit přetřením hadříkem lehce namočeným v mýdlové vodě. Potom sklo osušte suchým hadříkem. Neužívejte k čištění chemikálií, např. ředidlo nebo benzín, mohlo by dojít k poškození povrchu stojanu.

Prodejci Sony

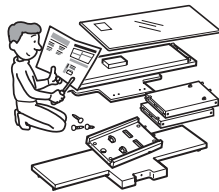
Pečlivě si přečtete výše uvedené pokyny a bezpečnostní opatření a dbejte na bezpečnost práce během instalace, údržby, prověřování a oprav tohoto produktu.

Dbejte na to, aby instalaci prováděly nejméně dvě osoby.

Ujistěte se že instalaci televizoru na stojan provádějí nejméně dvě osoby. Pokud instalaci provádí pouze jedna osoba, může dojít k nehodě nebo zranění. Provádějte instalaci mimo dosah dětí.

Ujistěte se, že provádíte instalaci podle pokynů v příručce.

Nedostatečně utažený šroub může mít za následek převrácení stojanu. Může dojít ke zranění nebo způsobení škody.



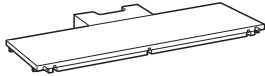
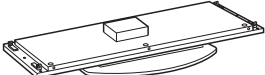
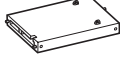

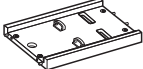
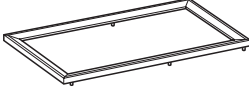




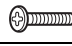




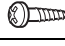



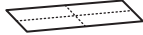
Provádějte instalaci se zvýšenou opatrností, aby nedošlo k poranění rukou nebo prstů.

Během sestavování stojanu a instalace televizoru dbejte na to, aby nedošlo k přiskřípnutí rukou nebo prstů.

Ujistěte se, že provádíte instalaci televizoru podle pokynů v příručce.

Utahujte šrouby pevně. Nebude-li instalace provedena bezpečně, může dojít k pádu televizoru a způsobení zranění.

Krok 1: Kontrola součástí

Název	Množství
Horní deska 	1
Spodní deska 	1
Boční podpěra (L)*1 	1
Boční podpěra (R)*1 	1
Zadní podpěra 	1
Přední deska 	1
Skleněná police 	1
Šroub (+PWH5 × 25) 	a*4 8
Šroub (+K4 × 20) + návlačka 	b*4 2
Vačkový šroub 	c*4 4
Šroub (+P4 × 15) 	d*4 4
Ukotvovací šroub 	e*4 2
Víčko šroubu 	f*4 3
Zajišťovací pás 	g*4 1
Šroub (M6 × 18) 	
Dřevěný šroub (M3,8 × 20) 	
Úchyt reproduktoru (L) 	1
Úchyt reproduktoru (R) 	1
Papírová šablona 	4*2
	3*3
Páska 	1

*1 Obrázky uvedené výše patří k modelu SU-FL300M.

Liší se od modelu SU-FL300L. U SU-FL300L jsou na straně Boční podpěry dva výřezy.

*2 K modelu SU-FL300M jsou dodány čtyři papírové šablony.

*3 K modelu SU-FL300L jsou dodány tři papírové šablony.

*4 Balení součástí je označeno podle abecedy.

Před sestavováním se ujistěte, že máte k dispozici křížový šroubovák vhodný pro práci s výše uvedenými šrouby.

Krok 2: Sestavování stojanu

VAROVÁNÍ

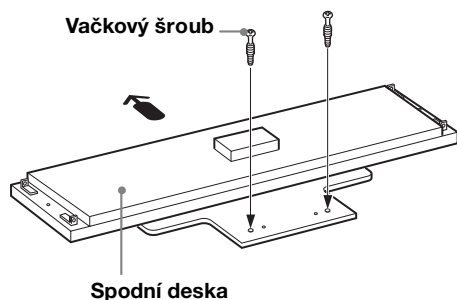
Pokud dojde k přiskřípnutí AC síťového kabelu pod nebo mezi součástmi zařízení, může dojít ke zkratu nebo elektrickému šoku. Pokud zakopnete o AC síťový kabel nebo připojovací kabel, může dojít k převrácení stojanu a ke způsobení zranění.

Zvolte místo instalace a umístěte stojan před instalací televizoru.

Díky vysoké hmotnosti televizoru se doporučuje zvolit místo instalace předem a provést sestavení stojanu na zvoleném místě.

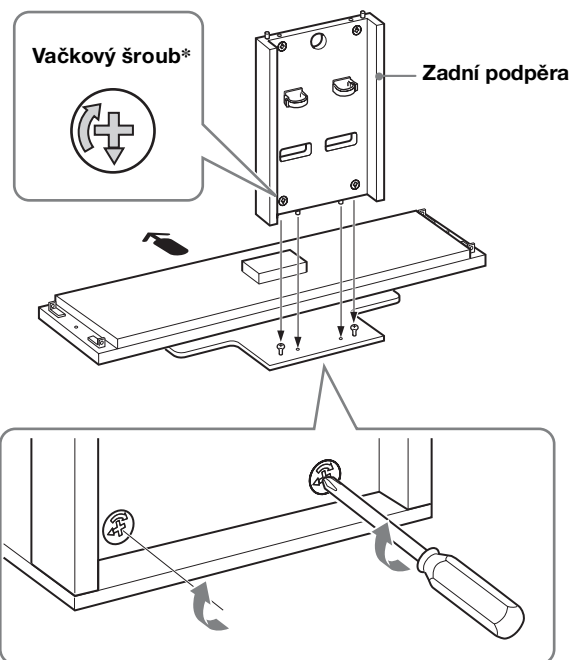
1 Připevněte zadní podpěru ke spodní desce.

- Utáhněte na Spodní desce oba dodané vačkové šrouby.



← Šipka ukazuje přední část stojanu.

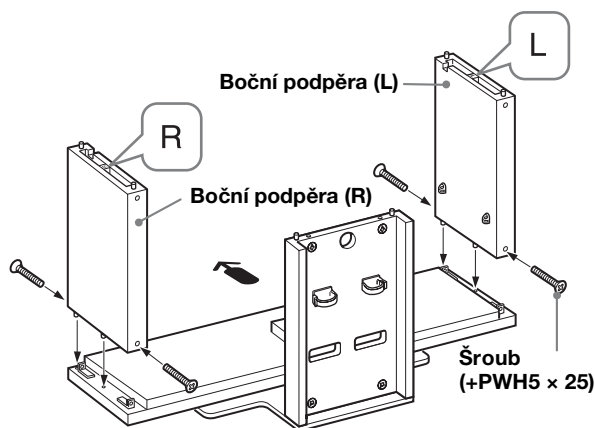
- Připevněte Zadní podpěru ke Spodní desce a zajistěte oba vačkové šrouby šroubovákem.



* Před připevněním zadní podpěry se ujistěte, že značka ∇ míří dolů.

2 Připevněte zadní podpěru ke spodní desce.

Zajistěte boční podpěry a spodní desku čtyřmi dodanými šrouby (+PWH5 × 25).

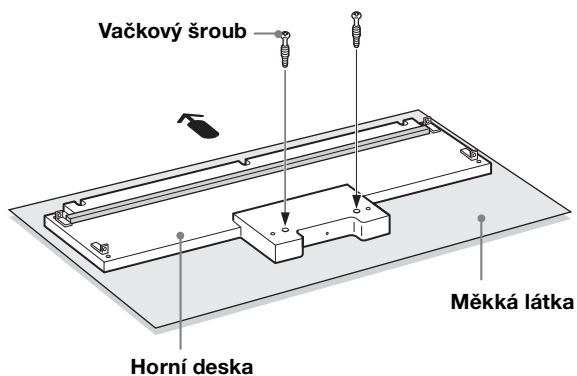


Poznámka

Mezi pravou a levou podpěrou jsou rozdíly. Ujistěte se, že jsou podpěry nainstalovány na správné straně.

3 Připevněte horní desku.

- 1 Utáhněte na horní desce oba dodané vačkové šrouby.

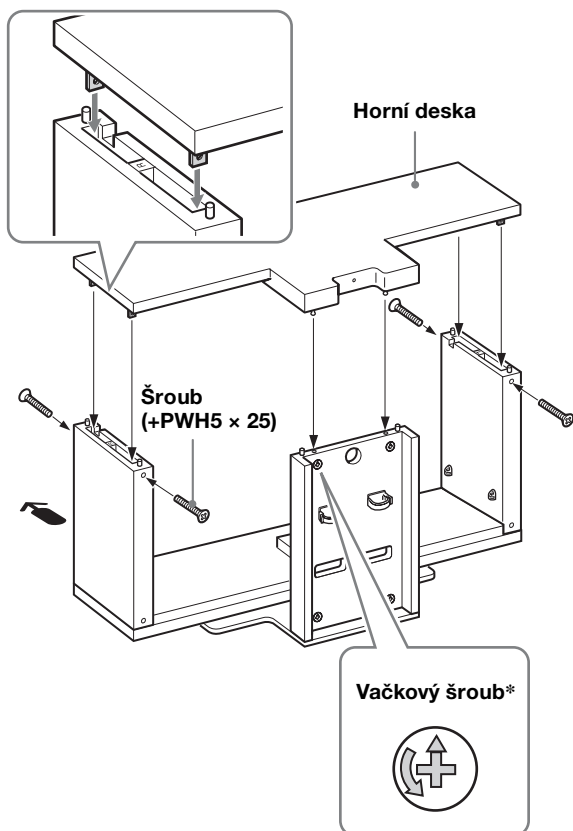


Na obrázku výše je uveden jako příklad model SU-FL300M. V případě modelu SU-FL300L, jsou na stranách horní desky dvě zesilovací tyčky.

Poznámka

Pro zamezení poškození hladkého povrchu horní desky překryjte pracovní plochu měkkou látkou.

- 2 Srovnejte a vložte fixační šrouby na každé straně horní desky do bočních podpěr.
- 3 Zajistěte boční podpěry a spodní desku čtyřmi dodanými šrouby (+PWH5 × 25). A zajistěte dvě zbylé vačky na zadní straně zadní podpěry.



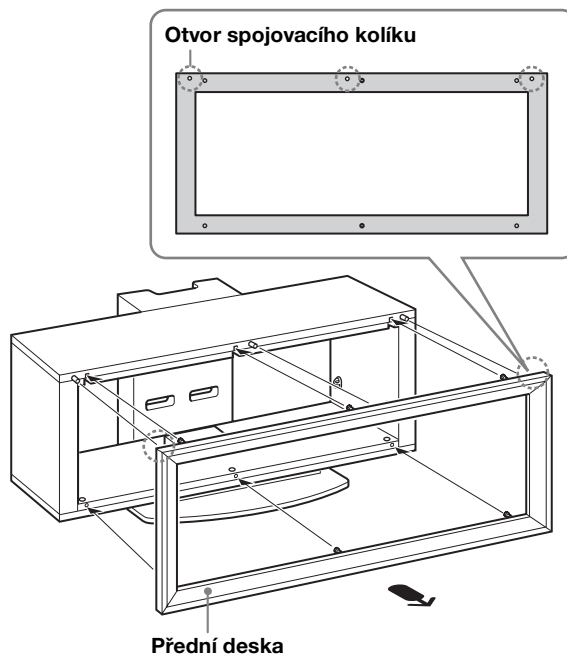
* Před připevněním horní desky se ujistěte, že značka Δ míří nahoru.

Poznámka

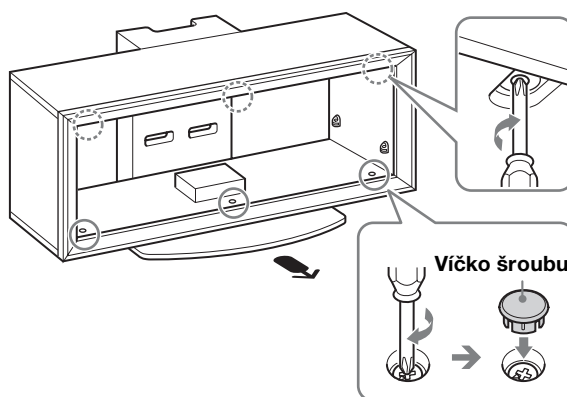
Dbejte na to, aby nedošlo k přiskřípnutí prstů během upevňování horní desky.

4 Připevňování přední desky ke stojanu.

- 1 Srovnejte tři připojovací kolíky stojanu se třemi otvory v přední desce.



- 2 Pro zajištění přední desky otočte šesti vačkovými šrouby na horní a spodní desce po směru hodinových ručiček. Potom připevněte tři dodaná víčka šroubů ke třem spodním šroubům.



Poznámka

Ujistěte se, že jste připevnili přední desku správným směrem.

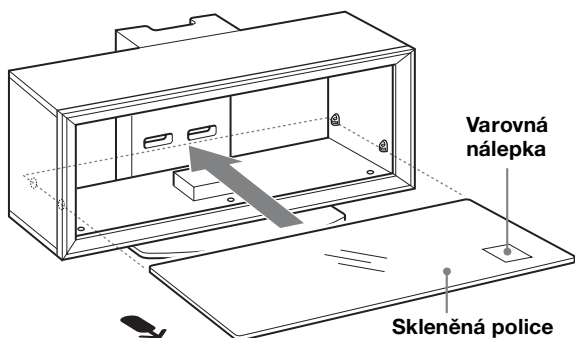
(Pokračování)

7 (CZ)

5 Připevnění skleněných polic.

Pokud ke stojanu připojíte Home Theatre System, nejprve připojte úchyty reproduktorů. (Řiďte se podle „Instalace centrálního reproduktoru (Pouze pro systémy Home Theatre)“ str. 12.)

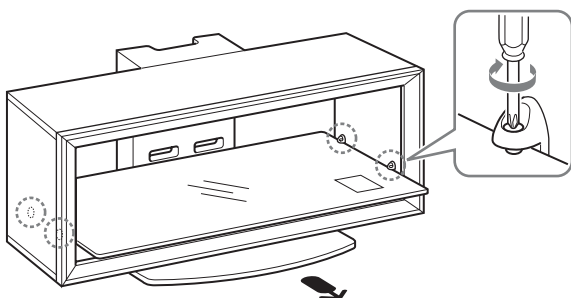
- 1 Zasuňte skleněnou polici až dozadu dokud se nedotkne zadní podpěry.



Poznámka

Připevněte skleněnou polici ke stojan tak, aby se nálepka Caution nacházela vpředu vpravo, jak je uvedeno na obrázku.

- 2 Utáhněte čtyři šrouby na boční podpěře pro zajištění skleněné police na stojanu.



Krok 3: Příprava k instalaci televizoru

1 Připevněte návlačky k horní desce.

Připevněte návlačky dodanými šrouby (+K4 × 20).

Pro modely neuvedené na straně 2:

Použijte přední otvory.

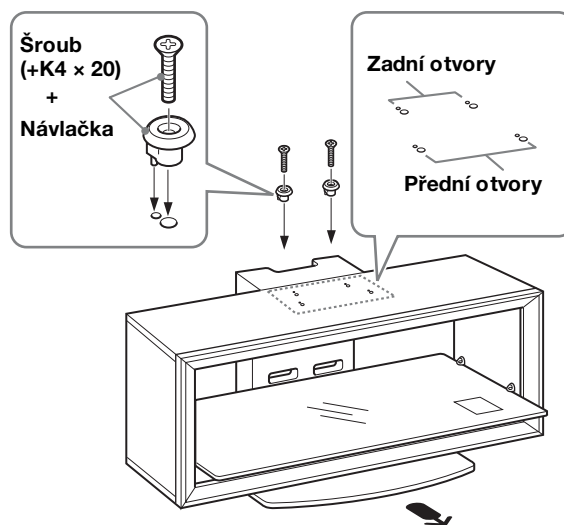
Pro modely uvedené na straně 2:

Pro otáčivé modely* použijte zadní otvory, pro neotáčivé modely použijte přední otvory.

Poznámka

Ujistěte se v příručce vašeho televizoru, zda váš televizor má otáčecí funkci.

* Otočná funkce umožňuje nastavit úhel obrazovky televizoru (doleva a doprava).



2 Vložte dodanou papírovou šablonu na horní desku.

- 1 Vyberte si jednu z dodaných papírových šablon a srovnejte pravý roh šablony s pravým rohem horní desky.

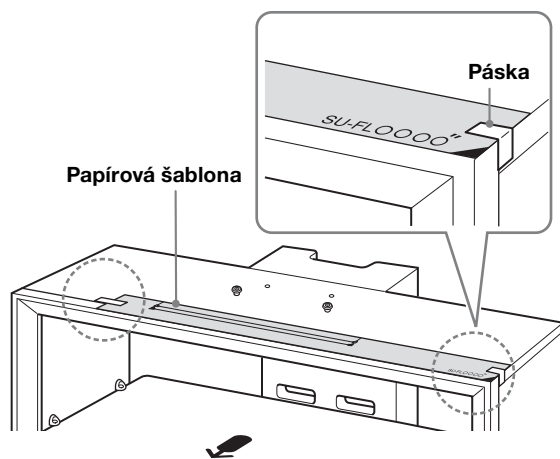
Pro modely neuvedené na straně 2:

Podle informací na letáku dodaném s vaším televizorem zvolte odpovídající papírovou šablonu.

Pro modely uvedené na straně 2:

Vyberte černě potišťenou papírovou šablonu odpovídající velikosti obrazovky vašeho televizoru.

- 2 Přeplete papírovou šablonu na horní desce dodanou páskou.



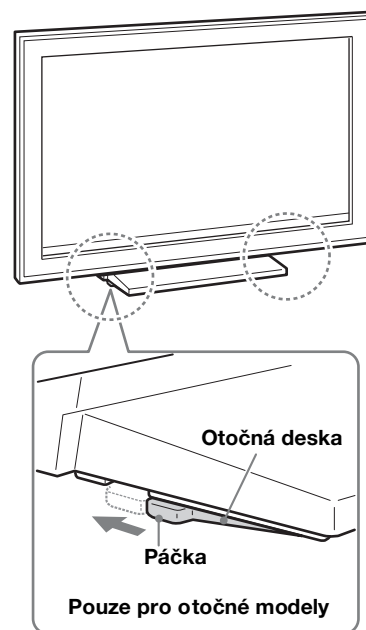
Krok 4: Instalace televizoru

Přípevněte televizor k stolnímu stojanu, pokud není již připevněný.

Pouze pro uvedené otočné modely na straně 2, postupujte podle části 1 kroku 4.

1 Nastavte polohu otáčivé desky na střed (Pouze pro otočné modely).

Před instalací televizoru, srovnejte páčku otočné desky s drážkou na stolním stojanu.

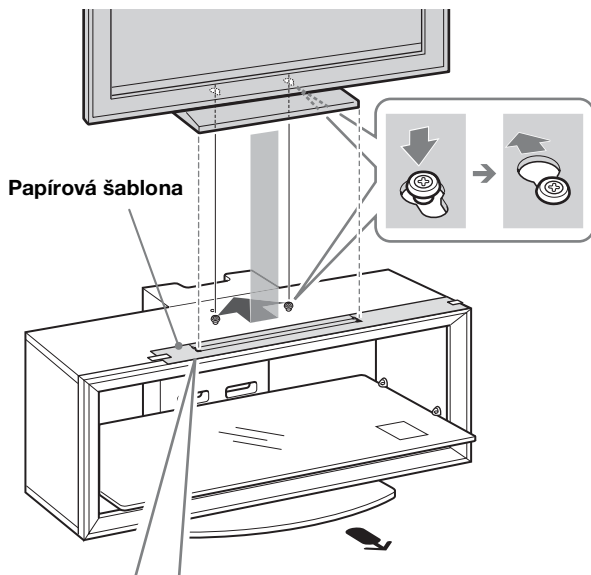


VAROVÁNÍ

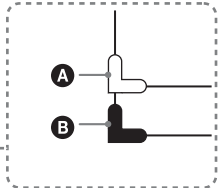
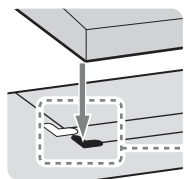
Pokud nebude otáčivá deska nastavena správně, instalace nebude bezpečná a může dojít k pádu televizoru.

2 Nainstalujte televizor na stojan.

- 1 Srovnajte obrys stolního stojanu s obrysem obrazovky televizoru a značek rohů na papírové šabloně tak, aby otvory ve spodní části stolního stojanu srovnané s návlačkami, které byly připojeny v části 1 kroku 3.
- 2 Zasuňte televizor dozadu aby zapadl na své místo.
- 3 Odstraňte papírovou šablonu z horní desky.



Pouze pro uvedené otočné modely na straně 2



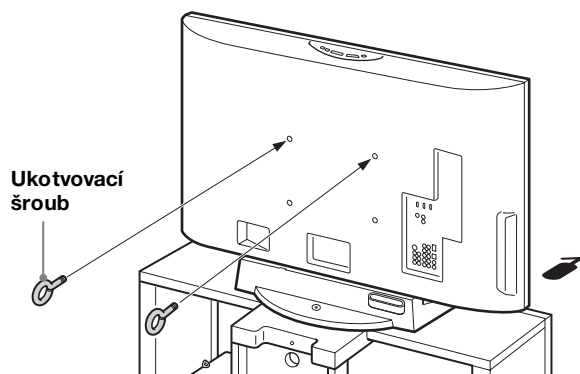
- A Bílá rohová značka je pro otočné modely.
- B Černá rohová značka je pro neotáčivé modely.

Poznámka

U 37/40 palcových televizorů srovnajte stolní stojan s černou rohovou značkou u otáčivých i neotáčivých modelů. (Na papírové šabloně pro 37/40 palcové modely není bílá rohová značka.)

3 Připevněte ukotvovací šrouby.

Připevněte dva dodané ukotvovací šrouby na zadní části televizoru.



Poznámka

Pokud nepoužijete dva ukotvovací šrouby k upevnění a zajištění televizoru může dojít k jeho pádu a způsobení zranění.

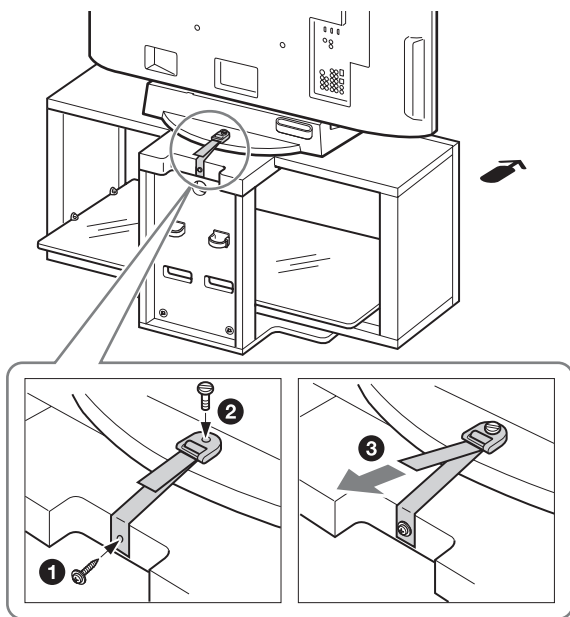
Krok 5: Bezpečnostní opatření k zabránění převrácení

VAROVÁNÍ

Ujistěte se, že jste učinili nezbytná opatření k zamezení převrácení stojanu a způsobení zranění a škody.

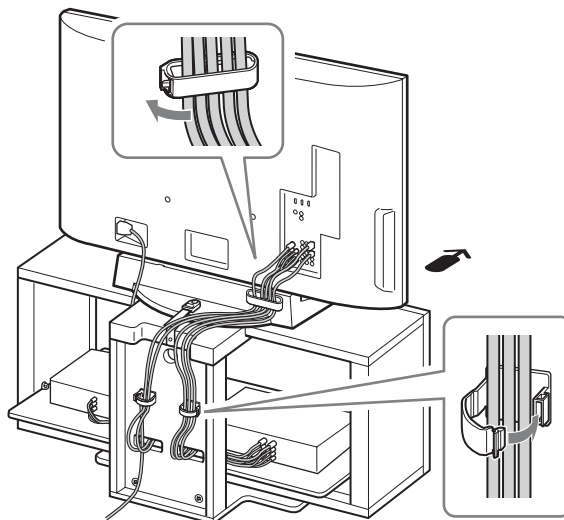
1 Připevněte zajišťovací pás.

- 1 Přišroubujte zajišťovací pás ke stojanu dodaným dřevěným šroubem pomocí šroubováku.
- 2 Připevněte zajišťovací pás ke stolnímu stojanu a zašroubujte jej dodaným zajišťovacím šroubem pomocí mince apod.
- 3 Přidržujíc stolní stojan, nastavte délku pásu utažením.



2 Připojování kabelů.

Provlékněte kabely úchyty kabelů a otvory v zadních podpěrách.



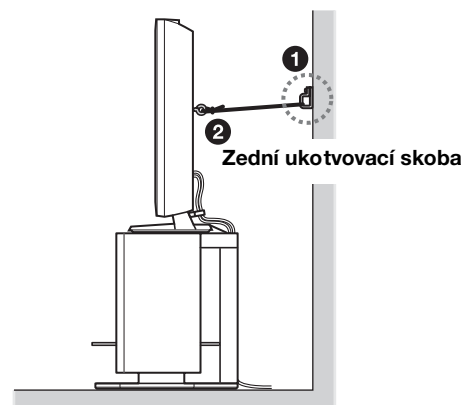
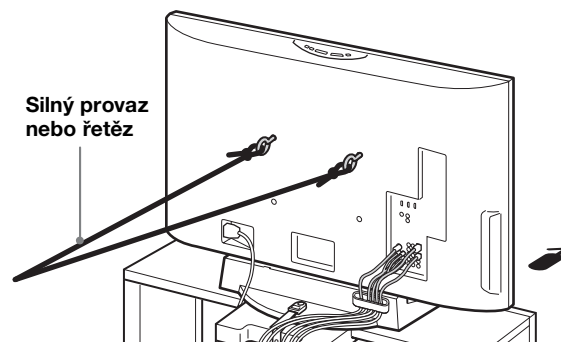
Poznámka

Pokud nejsou kabely provlečeny správně, může dojít k jejich poškození a ke způsobení zranění elektrickým proudem apod.

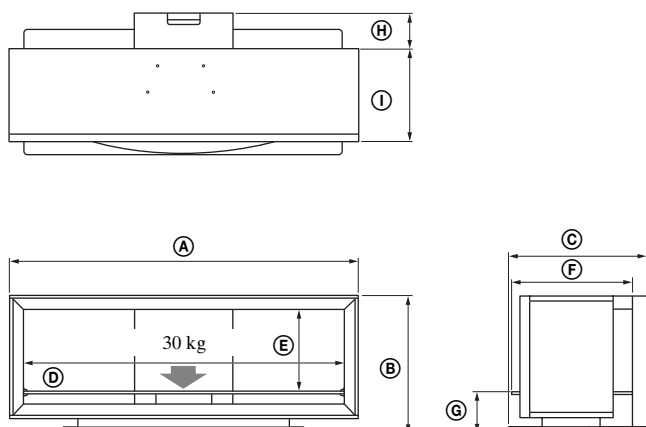
3 Ukotvěte televizor ke zdi.

Připravte si pevný běžně dostupný provaz nebo řetěz a zední ukotvovací skobu.

- 1 Připevněte zední ukotvovací skobu k pevné zdi.
- 2 Protáhněte provaz nebo řetěz oběma otvory ukotvovacích šroubů a pak utáhněte druhý konec provazu nebo řetězu k zední ukotvovací skobě.



Specifikace



Poznámka k nosnosti

Neumísťujte na skleněnou polici předměty, jejichž hmotnost přesahuje maximální možnou hodnotu, mohlo by dojít k poškození skla a ke zranění.

		SU-FL300M	SU-FL300L
Jednotky: mm	Ⓐ	1 035	1 280
	Ⓑ	503	503
	Ⓒ	485	518
	Ⓓ	895	1 140
	Ⓔ	303	303
	Ⓕ	418	468
	Ⓖ	146	146
	Ⓗ	120	130
	Ⓘ	272	340
Váha:		35 kg	52 kg

Design a specifikace podléhají změně bez předchozího upozornění.

Instalace centrálního reproduktoru (Pouze pro systémy Home Theatre)

Centrální reproduktor SS-CT71/CNP2200 je určen pro následující modely systému Home Theatre:

DAV-HDX665	HT-SF2000
DAV-HDX466	HT-SF1200
DAV-HDX465	HT-SF1100
DAV-HDX267W	DAV-DZ750K
DAV-HDX266	DAV-DZ630
DAV-HDX265	DAV-DZ556KB
DAV-HDZ235	DAV-DZ555K
	DAV-DZ555M
	DAV-DZ530
	DAV-DZ250KW
	DAV-DZ250K
	DAV-DZ250M
	DAV-DZ231
	DAV-DZ230
	DAV-DZ151KB
	DAV-DZ150K

Centrální reproduktor SS-CT72/CT74 je určen pro následující modely systému Home Theatre:

DAV-HDX900W	DAV-DZ1000
DAV-HDX501W	DAV-DZ850KW
DAV-HDX500	DAV-DZ850M
	DAV-DZ830W
	DAV-DZ531W

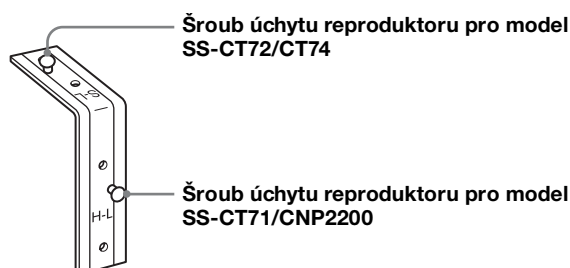
Poznámky

- Výrobky uvedené výše se mohou změnit bez oznámení, být vyprodány, nebo jejich výroba může být ukončena.
- Některé modely jsou v určitých oblastech nedostupné.

Před připevněním úchytu reproduktoru:

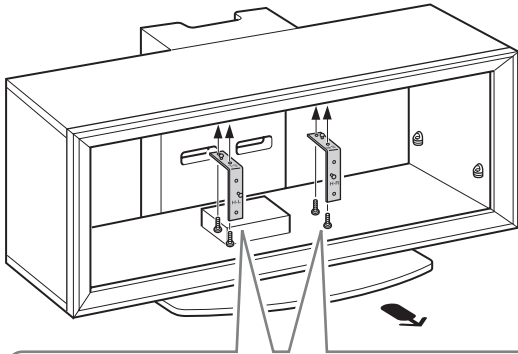
U modelu SS-CT71/CNP2200 musí značky H-L/ H-R směřovat dopředu. (H-L znamená levá strana, H-R znamená pravá strana.)

U modelu SS-CT72/CT74 musí značky S-L/S-R směřovat dopředu. (S-L znamená levá strana, S-R znamená pravá strana.)

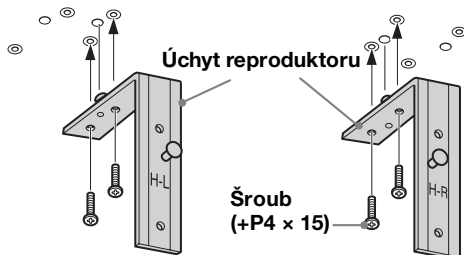


1 Připevněte úchyt reproduktoru.

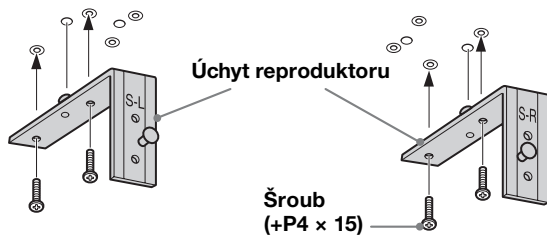
Připevněte každý úchyt reproduktoru dodanými šrouby (+P4 × 15) (dva šrouby pro levý a dva pro pravý) ke spodní části horní desky.



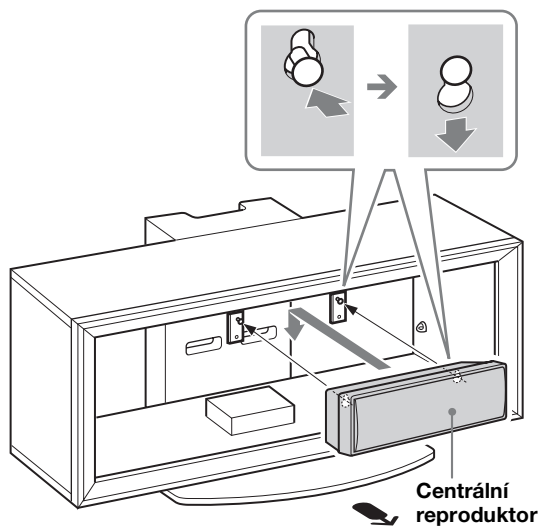
Centrální reproduktor: SS-CT71/CNP2200



Centrální reproduktor: SS-CT72/CT74



2 Zavěste centrální reproduktor na hákové šrouby jak uvedeno na obrázku.



Ďakujeme vám za zakúpenie tohto výrobku.

Pre zákazníkov

Tento výrobok by mali montovať iba kvalifikovaní zástupcovia servisu Sony, lebo pre inštaláciu sú potrebné aspoň dve osoby, špeciálne zaobchádzanie, bezpečnostné pokyny a technika.

VAROVANIE

Ak nebudete dodržiavať bezpečnostné pokyny alebo ak nebudete výrobok správne používať, môže dôjsť k vážnemu zraneniu alebo vzniku požiaru.

Tento návod na použitie zobrazuje správne zaobchádzanie s výrobkom a dôležité bezpečnostné opatrenia, ktoré je potrebné dodržiavať, aby nedochádzalo k nehodám. Starostlivo si prečítajte tento návod a výrobok používajte správne. Tento návod uchovajte pre neskoršie využitie.

Pre predajcov Sony

Pre montáž TV sú potrebné aspoň dve osoby, špeciálne zaobchádzanie a technika. Pri montáži TV nahliadnite do tohto návodu. Spoločnosť Sony nie je zodpovedná za akékoľvek nehody alebo škody spôsobené nesprávnou montážou alebo zaobchádzaním. Po montáži odovzdajte, prosím, tento návod zákazníkovi.

Bezpečnosť

Výrobky od spoločnosti Sony sú navrhované s ohľadom na bezpečnosť. Nesprávne používanie môže z dôvodu požiaru, zásahu elektrickým prúdom, prevrhnutím alebo pádom výrobku spôsobiť vážne poranenie. Dodržujte bezpečnostné opatrenia, ktoré zabránia podobným nehodám.

UPOZORNENIE

Špecifikované výrobky

Nasledujúce výrobky sa môžu zmeniť bez predchádzajúceho upozornenia. Niektoré modely môžu byť vypredané alebo je ich predaj ukončený či nemusia byť v niektorých regiónoch k dispozícii.

	Farebný LCD televízor	
SU-FL300M	KDL-46W3500	KDL-40D2600
	KDL-46W3100	KLV-40W300A
	KDL-46W3000	KLV-40V300A
	KDL-46V3100	KLV-40D300A
	KDL-46V3000	KDL-37S3100
	KDL-46VL130	KLV-37S310A
	KDL-46S3000	KDL-32XBR4
	KDL-46D3550	KDL-32V3100
	KDL-46D3500	KDL-32T3000
	KDL-46D3100	KDL-32T2800
	KDL-46D3010	KDL-32T2600
	KDL-46D3000	KDL-32S3100
	KLV-46W300A	KDL-32S3000
	KLV-46V300A	KDL-32SL130
	KLV-46D300A	KDL-32D3100
	KDL-40W3500	KDL-32D3010
	KDL-40W3100	KDL-32D3000
	KDL-40W3000	KDL-32D2810
	KDL-40V3100	KDL-32D2710
	KDL-40V3000	KDL-32D2600
	KDL-40VL130	KLV-32V300A
	KDL-40T3000	KLV-32S310A
	KDL-40T2800	KLV-32D300A
	KDL-40T2600	
	KDL-40S3000	
	KDL-40SL130	
	KDL-40D3550	
	KDL-40D3500	
	KDL-40D3100	
	KDL-40D3010	
	KDL-40D3000	
	KDL-40D2810	
KDL-40D2710		
SU-FL300L	KDL-52W3000	
	KDL-52WL130	
	KDL-46W3000	
	KDL-46V3000	
	KDL-46VL130	
	KDL-46S3000	

Tento stojan na televízor je určený pre použitie s výrobkami uvedenými vyššie. Pri iných televízoroch nahliadnite do ich návodu na použitie a overte, že tento stojan na televízor je možné použiť. Niektoré televízory sú dodané s letákom, ktorý vysvetľuje, ako stojan na televízor namontovať.

VAROVANIE

Ak nebudete dodržiavať nasledujúce bezpečnostné opatrenia, môže z dôvodu požiaru, zásahu elektrickým prúdom, prevrhnutia alebo pádu výrobku dôjsť k vážnemu poraneniu alebo úmrtiu.

Tento výrobok by mali montovať iba kvalifikovaní zástupcovia servisu Sony.

Televízor aj stojan na televízor sú veľmi ťažké predmety; montáž vykonaná nekvalifikovanou osobou môže viesť k vážnemu poraneniu.

Vykonajte taktiež opatrenia, aby ste zabránili prevrhnutiu stojana na televízor.

Ak toto nezaistíte, môže sa televízor prevrátiť a spôsobiť zranenie.

Pripevnite televízor k stene, atď., aby ste zabránili jeho prevrhnutiu.

Stojan na televízor namontujte na pevnej, plochej podlahe.

Nemontujte stojan na televízor tak, aby bol naklonený jedným smerom. Ak tak urobíte, stojan na televízor sa môže prevrhnúť alebo môže spadnúť televízor. To môže spôsobiť poranenie alebo škody.

Ak namontujete stojan na televízor na mäkkom povrchu, ako napr. na rohoži alebo koberci, najprv na miesto montáže položte dosku.

Nepoužívajte prasknutý stojan na televízor.

Nepoužívajte stojan na televízor, ak sa na ňom objavili nejaké praskliny. Sklo by mohlo prasknúť a spôsobiť prevrhnutie televízora, čo môže viesť k vážnemu zraneniu alebo vzniku škody.

Prasknutý stojan na televízor



Neopierajte sa o televízor, ani sa naň nevešajte.

Stojan na televízor sa môže prevrhnúť alebo môže spadnúť televízor a spôsobiť vážne zranenie alebo smrť.



Nedovoľte deťom liezť na stojan na televízor ani preliezať medzi poličkami.

Ak deti lezú na stojan na televízor alebo medzi poličky, hrozia vážne poranenia alebo smrť spôsobené prasknutím skla alebo stojana na televízor a prevrhnutím televízora.



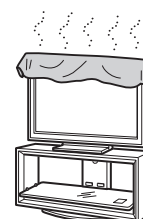
Na stojan na televízor nestúpajte.

Môžete spadnúť alebo rozbiť sklo a spôsobiť si tak poranenie.



Nezakrývajte vetracie otvory na televízore.

Ak vetracie otvory zakryjete (látkou, atď.), môže sa vo vnútri zvýšiť teplota a spôsobiť požiar.



Zabráňte pricviknutiu napájacieho alebo prepájacieho kábla.

- Pri montáži televízora na stojan na televízor zabráňte pricviknutiu napájacieho alebo prepájacieho kábla. Ak je napájací alebo prepájací kábel poškodený, môže dôjsť k vzniku požiaru alebo zásahu elektrickým prúdom.
- Pri prenášaní stojana na televízor nestúpajte na napájací ani prepájací kábel. Napájací alebo prepájací kábel môže byť poškodený a môže tak dôjsť k vzniku požiaru alebo zásahu elektrickým prúdom.



Nepresúvajte stojan na televízor s pripevneným televízorom alebo s pripojeným zariadením.

Ak budete posúvať stojan na televízor s pripevneným televízorom, môžete si poraniť chrbát alebo sa môže stojan na televízor prevrhnúť a spôsobiť vážne poranenie. Taktiež akékoľvek pripojené zariadenie môže zo stojana spadnúť a spôsobiť rozbitie sklenenej poličky alebo spôsobiť inú škodu na majetku.



UPOZORNENIE

Ak nebudete dodržiavať nasledujúce bezpečnostné opatrenia, môže dôjsť k poraneniu alebo škode na majetku.

Nemontujte žiadne iné zariadenia, než špecifikované výrobky.

- Tento stojan na televízor je určený pre použitie iba so špecifikovanými výrobkami. Ak namontujete iné zariadenie než špecifikované, môže spadnúť, rozbiť sa alebo spôsobiť poranenie.
- Na stojan na televízor nekladte predmety ako vázy, keramiku, atď.
- Stojan na televízor neupravujte.
- Na stojan na televízor nekladte nič horúce. Teplo môže spôsobiť zmenu farby alebo deformáciu stojana na televízor.
- Na stojan na televízor nekladte nič, čo by mohlo poškodiť sklo.

Nezabudnite zaistiť televízor.

Zabezpečte televízor na stojane na televízor pomocou dodaného kotviaceho príslušenstva. Ak nie je televízor bezpečne namontovaný, môže spadnúť alebo sa môže stojan na televízor prevrhnúť a spôsobiť tak poranenie.

Nezaťažujte sklo ani ho nevystavujte akémukoľvek typu nárazu.

Pri montáži televízora nezaťažujte stojan na televízor rukou. Nenarážajte do stojana na televízor tvrdými predmetmi, ako napr. skrutkovačom, atď. Sklo sa môže rozbiť a spôsobiť poranenie.

Pri prenášaní stojana na televízor

Ak sa pokúsite stojan na televízor presunúť sami alebo ak nebudete dodržiavať správne postupy, môže dôjsť k poraneniu. Aby ste tomu zabránili, dodržujte odporúčania uvedené nižšie.

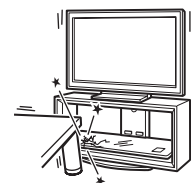
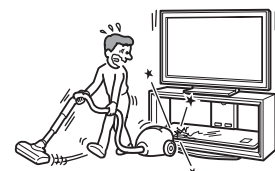
- Zaistite, aby stojan na televízor prenášali aspoň dve osoby, a to iba po zložení televízora, pripojeného zariadenia a sklenených poličiek.
- Stojan na televízor nevtlačte. Spodné časti stojana na televízor sa môžu uvoľniť a poškodiť podlahu.
- Dávajte pozor, aby ste si neprievikli ruky alebo nohy pod spodnú dosku.
- Pri prenášaní stojana na televízor ho neuchopte za sklenené poličky.

Nevystavujte sklo prílišným nárazom.

Tento stojan na televízor je vyrobený z tvrdeného skla, napriek tomu je s ním potrebné zaobchádzať opatrne.

Ak sa sklo rozbije, mohli by úlomky skla spôsobiť poranenie. Preto dodržujte bezpečnostné opatrenia uvedené nižšie.

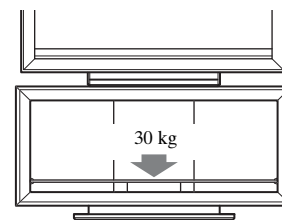
- Do skla nenarážajte ani naň nepúšťajte špicaté predmety. Zabráňte prílišným otrasom.
- Sklo neškrabte ani doň nepichajte špicatými predmetmi.
- Zabráňte narážaniu tvrdých predmetov, ako napr. vysávača, do okrajov skla.



Poznámka k nosnosti

Neumiestňujte na stojan žiadne zariadenie, ktoré prekračuje maximálnu nosnosť jednotlivých poličiek, ako je uvedené na obrázku.

V opačnom prípade môžu poličky prasknúť.



Poznámky k montáži

- Pri skladaní položte na podlahu baliace materiály, aby ste zabránili poškodeniu podlahy.
- Stojan na televízor namontujte na pevnej, plochej podlahe. Zamedzte inštalácii stojana na televízor našikmo alebo so sklonom. Aby ste tomu zabránili, dodržujte nasledujúce bezpečnostné opatrenia.
 - Stojan na televízor nemontujte na mieste vystavenom priamemu slnečnému svetlu alebo v blízkosti kúrenia.
 - Stojan na televízor nemontujte na horúcom či vlhkom mieste alebo vonku.

Poznámka k používaniu

Aby ste udržali stojan na televízor čistý, občas ho utrite suchou mäkkou handričkou. Ťažko odstrániteľné škvrnky odstránite utretím handričkou navlhčenou v jemnom mydle. Nezabudnite potom toto miesto utrieť suchou mäkkou handričkou. Nepoužívajte chemikálie, ako napr. riedidlo alebo benzín, lebo tie ničia povrchovú úpravu stojana na televízor.

Pre predajcov Sony

Starostlivo si prečítajte bezpečnostné pokyny popísané vyššie a venujte zvláštnu pozornosť bezpečnosti počas montáže, údržby, kontrolovania a opráv tohto výrobku.

Zaistite, aby montáž vykonávali aspoň dve osoby.

Zaistite, aby montáž televízora na stojan na televízor vykonávali aspoň dve osoby. Ak montáž vykonáva iba jedna osoba, môže dôjsť k nehode alebo spôsobeniu zranenia. Zaistite, aby počas inštalácie neboli v blízkosti detí.

Zaistite bezpečné zostavenie stojana na televízor podľa uvedených pokynov.

Ak nie je skrutka pevne dotiahnutá alebo ak vypadla, môže dôjsť k prevrhnutiu stojana na televízor. To môže spôsobiť škody alebo poranenie.



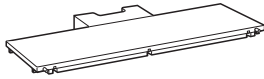
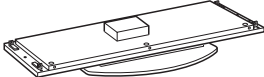
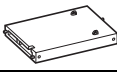
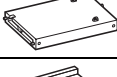
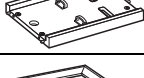


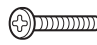




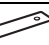



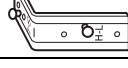
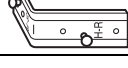


Buďte opatrní, aby ste si počas zostavovania neporanili ruky alebo prsty.

Buďte opatrní, aby ste si pri zostavovaní stojana na televízor a pri pripieňovaní televízora nepricvikli prsty alebo ruky.

Zaistite bezpečné pripevnenie televízora podľa uvedených pokynov.

Pevne dotiahnite skrutky. Ak nie je televízor bezpečne pripevnený, môže spadnúť a spôsobiť zranenie.

Krok 1: Kontrola súčiastok

Názov	Množstvo
Horná doska 	1
Spodná doska 	1
Bočný stĺpik (L)* ¹ 	1
Bočný stĺpik (R)* ¹ 	1
Zadný stĺpik 	1
Predný panel 	1
Sklenná polička 	1
Skrutka (+PWH5 × 25) 	a* ⁴ 8
Skrutka (+K4 × 20) + puzdro na skrutku 	b* ⁴ 2
Skrutka Camlock 	c* ⁴ 4
Skrutka (+P4 × 15) 	d* ⁴ 4
Kotviaca skrutka 	e* ⁴ 2
Vršok na skrutky 	f* ⁴ 3
Prídržný remeň 	g* ⁴ 1
Skrutka (M6 × 18) 	
Skrutka do dreva (M3,8 × 20) 	
Háčik pre reproduktor (L) 	1
Háčik pre reproduktor (R) 	1
Papierová šablóna 	4* ²
	3* ³
Páska 	1

*¹ Obrázky vyššie platia pre model SU-FL300M. Ten sa líši od modelu SU-FL300L. Na modeli SU-FL300L sú na strane bočného stĺpika dve vyrezané časti.

*² Pre SU-FL300M sa dodávajú štyri papierové šablóny.

*³ Pre SU-FL300L sa dodávajú tri papierové šablóny.

*⁴ Vrecká so súčiastkami sú označené abecedne.

Ešte pred zostavením sa uistite, že máte skrutkovač značky Philips, ktorý zodpovedá skrutkám uvedeným vyššie.

Krok 2: Zostavenie stojana na televízor

VAROVANIE

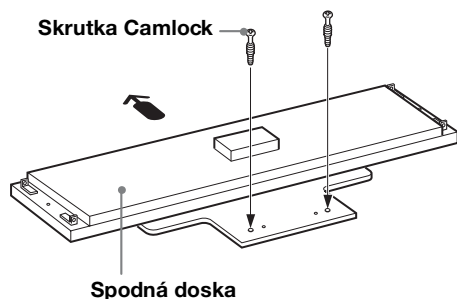
Ak dovoľíte, aby bol napájací kábel pricviknutý pod alebo medzi jednotlivé zariadenia, môže dôjsť k skratu alebo zásahu elektrickým prúdom. Ak zakopnete o napájací alebo prepájací kábel, stojan na televízor sa môže prevrhnúť a spôsobiť poranenie.

Zvoľte miesto pre montáž a položte stojan na televízor predtým, ako začnete s montážou televízora.

Vzhľadom na to, že je televízor ťažký, odporúčame, aby ste najprv vybrali miesto pre montáž a stojan na televízor zostavili priamo na mieste.

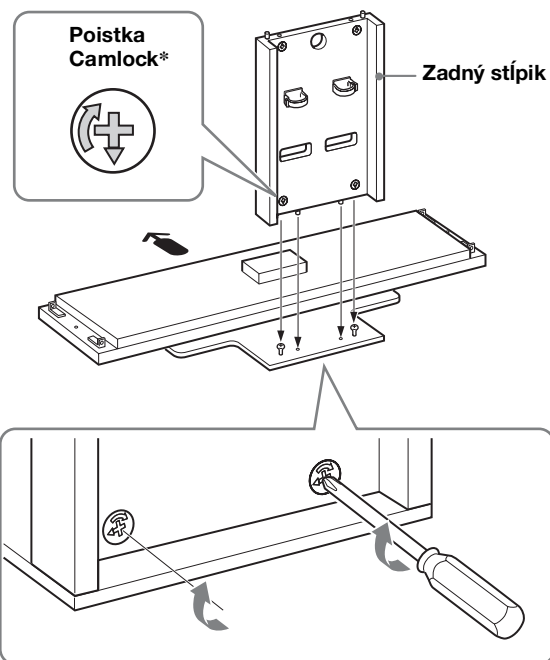
1 K spodnej doske pripevnite zadný stĺpik.

- Dotiahnite na spodnej doske dve dodané skrutky Camlock.



← Smer šípky označuje prednú časť stojana pre televízor.

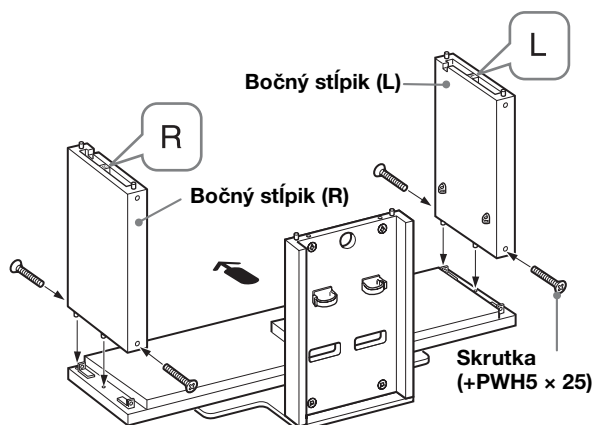
- K spodnej doske pripojte zadný stĺpik a zaistite dve poistky Camlock pomocou skrutkovača.



* Pred pripevnením zadného stĺpika sa uistite, že značka ▽ mieri nadol.

2 K spodnej doske pripevnite bočné stĺpiky.

Zaistite bočné stĺpiky a spodnú dosku pomocou štyroch dodaných skrutiek (+PWH5 × 25).

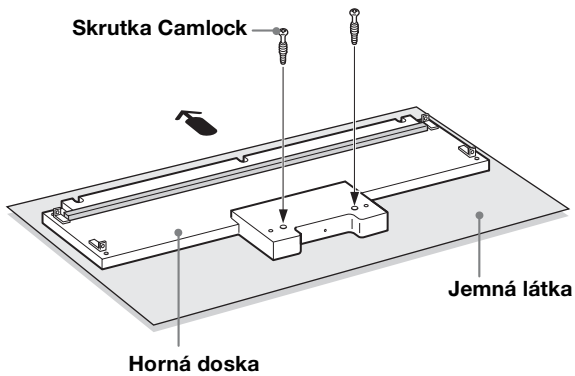


Poznámka

Ľavý a pravý stĺpik sa líšia.
Overte si, že montujete každý zo stĺpikov na správnu stranu.

3 Pripevnite hornú dosku.

- 1 Dotiahnite na hornej doske dve dodané skrutky Camlock.

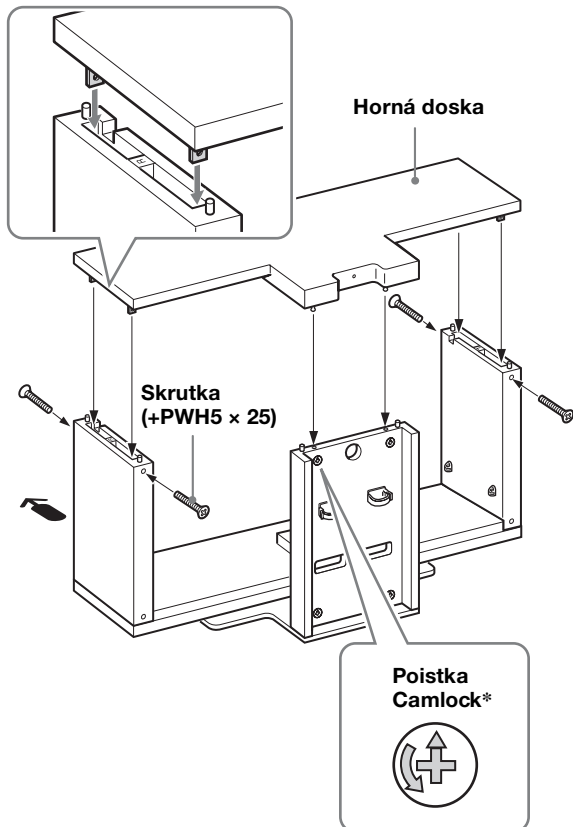


Obrázok vyššie zobrazuje ako príklad model SU-FL300M. Na modeli SU-FL300L sú na hornej doske dve spevňujúce tyče.

Poznámka

Aby ste zabránili poškodeniu lesklého povrchu hornej dosky, očistite pracovnú plochu a pokryte ju jemnou látkou.

- 2 Nastavte a vložte pripevňovacie konzoly na obidvoch stranách vrchnej dosky do bočných stĺpikov.
- 3 Zaisťte bočné stĺpiky pomocou štyroch dodaných skrutiek (+PWH5 × 25). A zaisťte dve zostávajúce poistky Camlock na zadnej strane zadného stĺpika.



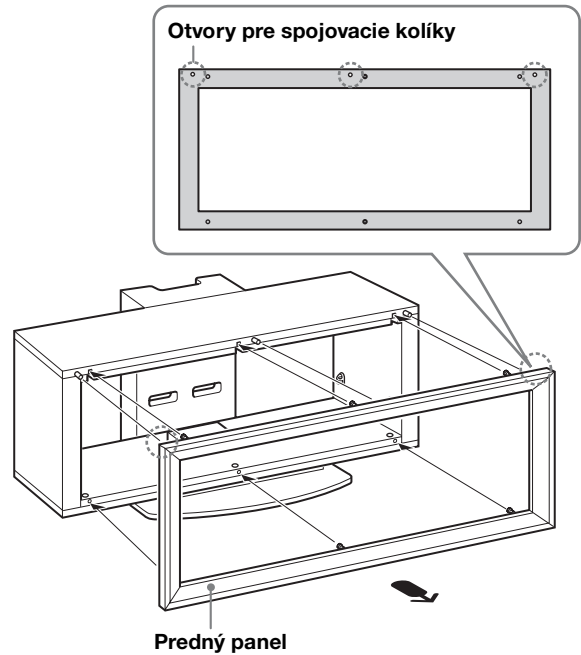
* Pred pripevnením hornej dosky sa uistite, že značka Δ mieri nahor.

Poznámka

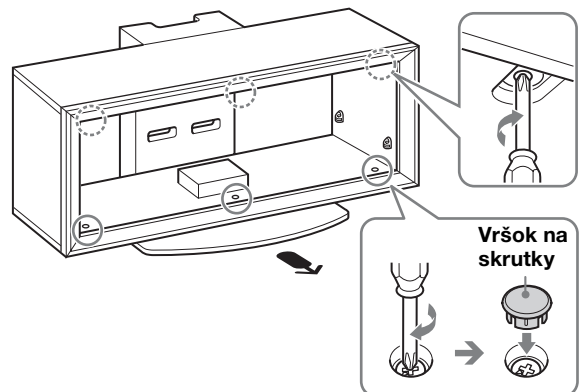
Buďte opatrní, aby ste si pri nasadzovaní hornej dosky neprevikli prsty.

4 Pripojte k stojanu na televízor predný panel.

- 1 Vyrovnajte tri spojovacie kolíky na stojane na televízor s tromi otvormi na prednom paneli.



- 2 Otočte šiestimi skrutkami Camlock na hornej a spodnej doske v smere hodinových ručičiek, aby ste zaisťli predný panel. Potom pripevnite tri dodané čapíčky skrutiek na tri spodné skrutky.



Poznámka

Zaisťte pripojenie predného panela v správnom smere.

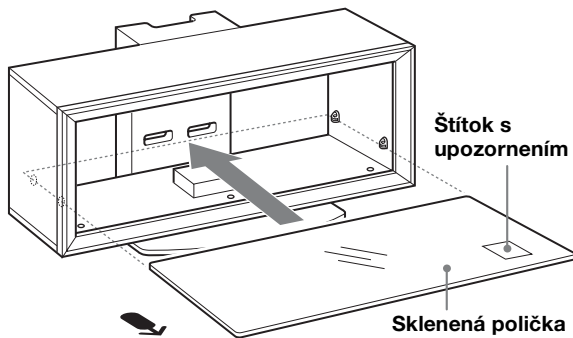
(pokračovanie)

7 (SK)

5 Pripevnite sklenenú poličku.

Ak pripevňujete domáce kino k stojanu, najprv pripevnite háčik pre reproduktor. (pozri „Montáž stredového reproduktora (iba pre domáce kiná)“ na strana 12)

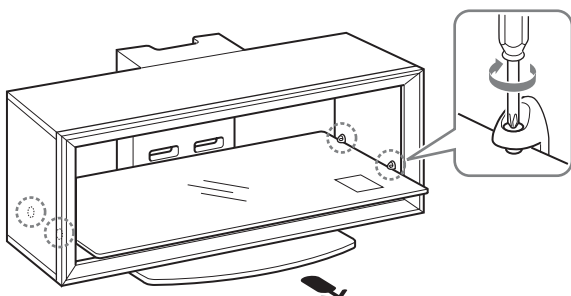
- 1 Plne zasuňte sklenenú poličku tak, aby sa dotkla zadného stĺpika.



Poznámka

Pripevnite sklenenú policu do TV stojana s výstražným štítkom smerujúcim hore na pravej prednej strane tak, ako je znázornené na obrázku.

- 2 Dotiahnite štyri skrutky na bočných stĺpikoch, aby sa zaistila sklenená policu v TV stojane.



Krok 3: Príprava na pripevnenie televízora

1 Pripevnite puzdrá na skrutky k hornej doske.

Objímky pripevnite s dodanými skrutkami (+K4 × 20).

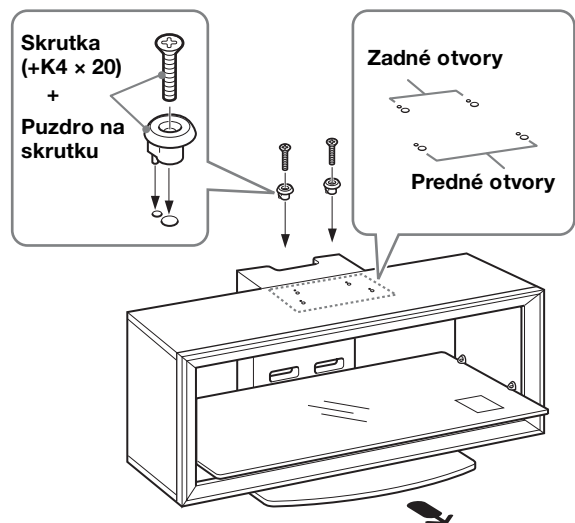
Pre modely, ktoré nie sú uvádzané na strane 2: Použite predné otvory.

Pre modely, ktoré sú uvádzané na strane 2: Pre otočné modely* použite zadné otvory; pre modely bez otáčania použite predné otvory.

Poznámka

Skontrolujte návod na použitie televízora, aby ste zistili, či sa televízor dá natáčať.

* Funkcia otáčania vám umožní upraviť uhol sledovania televízora (doľava a doprava).



2 Vložte dodanú papierovú šablónu na hornú dosku.

- 1 Vyberte dodanú papierovú šablónu a zarovnajte hrany pravého rohu šablóny s pravým rohom vrchnej dosky.

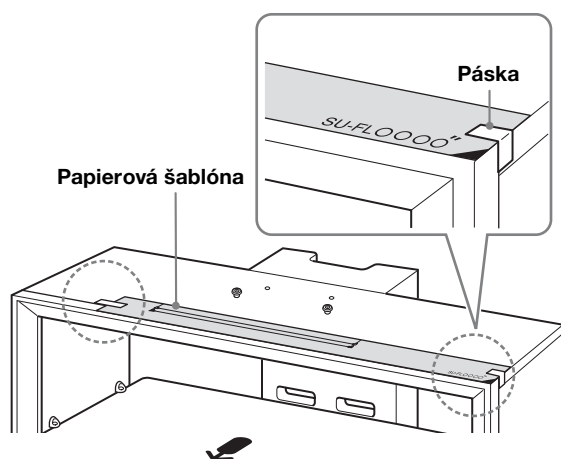
Pre modely, ktoré nie sú uvádzané na strane 2:

Určite si prečítajte leták dodaný s vaším TV, vyberte papierovú šablónu, ktorá zodpovedá vášmu TV.

Pre modely, ktoré sú uvádzané na strane 2:

Vyberte čiernu papierovú šablónu, ktorá zodpovedá veľkosti obrazovky vášho TV.

- 2 Prilepte papierovú šablónu k hornej doske pomocou dodanej pásky.

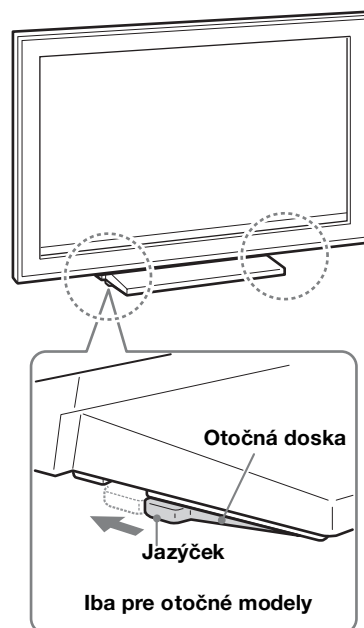


Krok 4: Pripevnenie televízora

Priložte váš TV na horný stolový stojan, ak ešte nie je. Iba pri otočných modeloch uvádzaných na strane 2 dodržte postup v časti 1, krok 4.

1 Upravte polohu otočnej dosky na stred (iba pre otočné modely).

Pred pripevnením televízora vyrovnajte jazýček na otočnej doske so zárezom na stolnom stojane.



VAROVANIE

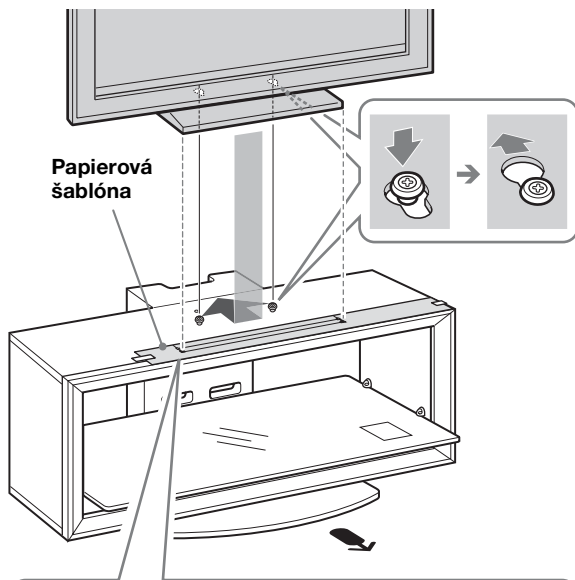
Ak nie je otočná doska nastavená správne, nebude televízor bezpečne pripevnený a môže spadnúť.

(pokračovanie)

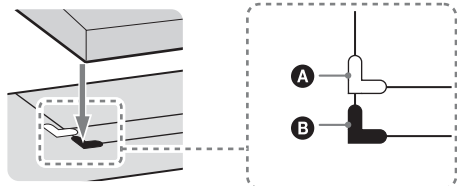
9 (SK)

2 Pripevnite televízor na stojan na televízor.

- 1 Zosúlaďte obrys vrchného stolového stojana s obrysom veľkosti TV obrazovky a rohovými značkami na papierovej šablóne, aby sa otvory na spodku vrchného stolového stojana zarovnali s objímkami, ktoré sa pripevnili v časti 1, krok 3.
- 2 Televízor posuňte dozadu, aby ste ho zaistili na mieste.
- 3 Z hornej dosky odstráňte papierovú šablónu.



Iba pre modely, ktoré sú uvádzané na strane 2



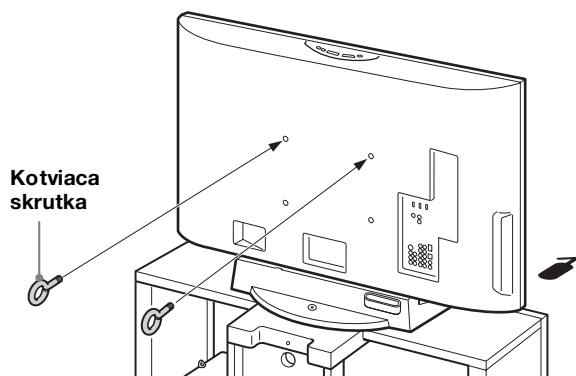
- A Biela rohová značka je pre otočné modely.
- B Čierna rohová značka je pre modely, ktoré sa neotáčajú.

Poznámka

Pri užívateľoch 37/40 nezáleží, či je model TV otočný, alebo nie, zarovnajzte vrchný stolový stojan s čiernou rohovou značkou. (Na papierovej šablóne pre televízory s uhlopriečkou 37/40 palcov nie je žiadna biela značka rohu.)

3 Pripevnite kotviace skrutky.

Zaistite dve dodané kotviace skrutky do zadnej časti televízora.



Poznámka

Ak tieto dve kotviace skrutky pre zaistenie televízora nepoužijete, televízor môže spadnúť a spôsobiť poranenie.

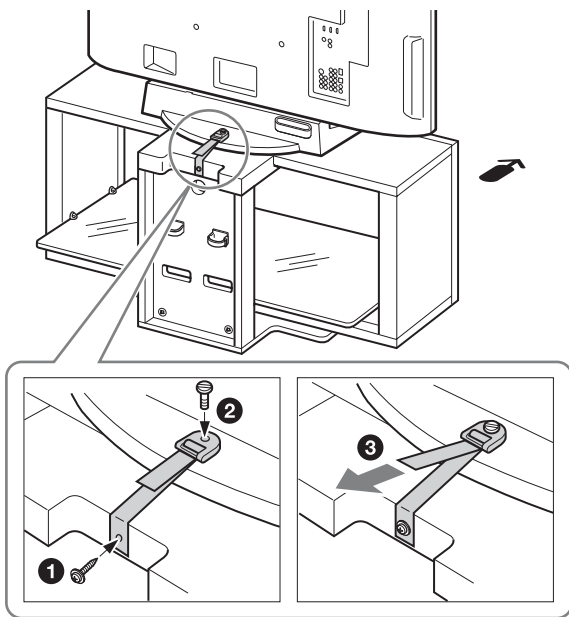
Krok 5: Bezpečnostné opatrenia zabraňujúce prevrhnutiu

VAROVANIE

Vykonajte taktiež opatrenia, aby ste zabránili prevrhnutiu stojana na televízor a spôsobeniu prípadného poranenia alebo škody.

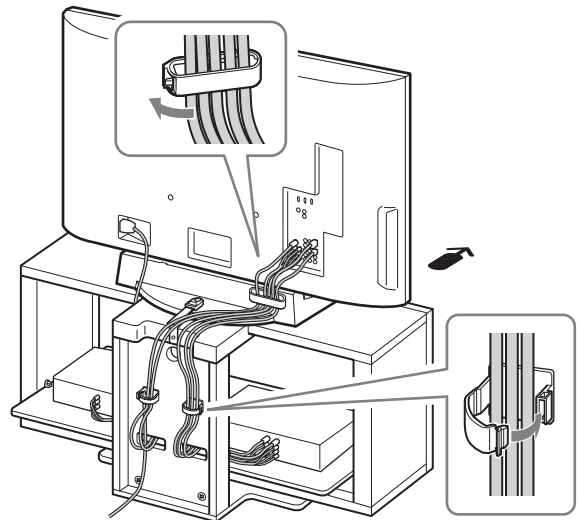
1 Pripevnite remeň podpery.

- 1 Pomocou skrutkovača priskrutkujte prídržný remeň na TV stojan s dodanými skrutkami do dreva.
- 2 Priložte prídržný remeň na vrchný stolový stojan a priskrutkujte ho s dodanými poistnými skrutkami pomocou mince, atď.
- 3 Držte stolný stojan a upravte dĺžku dotiahnutím remeňa podpory.



2 Pripojte káble.

Káble vedte cez držiaky káblov a otvory v zadnom stípiku.



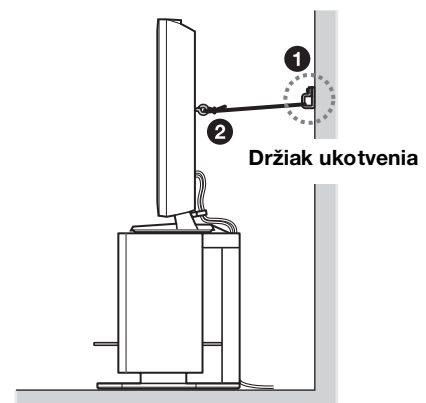
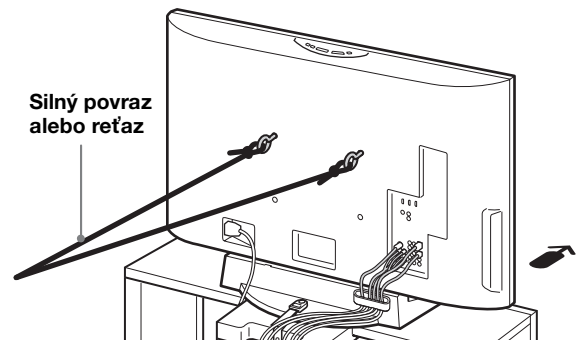
Poznámka

Ak nie sú káble správne umiestnené, môžu byť pricviknuté a poškodené, čo môže viesť k zásahu elektrickým prúdom a pod.

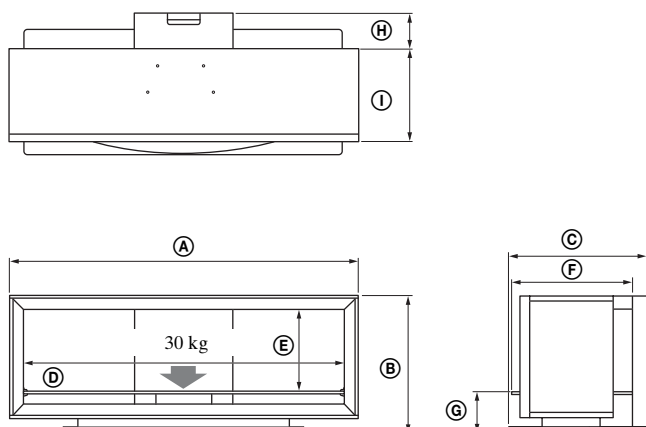
3 Pripevnite televízor k stene.

Pre tento účel si pripravte silný, bežne dostupný povraz alebo reťaz a držiak ukotvenia.

- 1 Zaisťte držiak ukotvenia v pevnej stene.
- 2 Preveďte povraz alebo reťaz oboma dierami v kotviacich skrutkách a potom pripevnite druhý koniec povrazu alebo reťaze k držiaku ukotvenia.



Technické údaje



Poznámka k nosnosti

Na sklenenú poličku neumiestňujte žiadne zariadenie, ktoré prekračuje maximálnu nosnosť, pretože by mohla polička prasknúť a spôsobiť poranenie.

		SU-FL300M	SU-FL300L
Rozmery: mm	Ⓐ	1 035	1 280
	Ⓑ	503	503
	Ⓒ	485	518
	Ⓓ	895	1 140
	Ⓔ	303	303
	Ⓕ	418	468
	Ⓖ	146	146
	Ⓗ	120	130
	Ⓘ	272	340
Hmotnosť:		35 kg	52 kg

Vzhľad a technické údaje sa môžu zmeniť bez predchádzajúceho upozornenia.

Montáž stredového reproduktora (iba pre domáce kiná)

Model stredového reproduktora SS-CT71/CNP2200 je vhodný pre nasledujúce modely domácich kín:

DAV-HDX665	HT-SF2000
DAV-HDX466	HT-SF1200
DAV-HDX465	HT-SF1100
DAV-HDX267W	DAV-DZ750K
DAV-HDX266	DAV-DZ630
DAV-HDX265	DAV-DZ556KB
DAV-HDZ235	DAV-DZ555K
	DAV-DZ555M
	DAV-DZ530
	DAV-DZ250KW
	DAV-DZ250K
	DAV-DZ250M
	DAV-DZ231
	DAV-DZ230
	DAV-DZ151KB
	DAV-DZ150K

Model stredového reproduktora SS-CT72/CT74 je vhodný pre nasledujúce modely domácich kín:

DAV-HDX900W	DAV-DZ1000
DAV-HDX501W	DAV-DZ850KW
DAV-HDX500	DAV-DZ850M
	DAV-DZ830W
	DAV-DZ531W

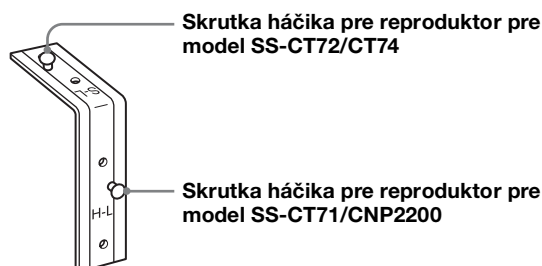
Poznámky

- Vyššie uvedené výrobky sa môžu zmeniť bez predchádzajúceho upozornenia, môžu byť vypredané alebo môže byť ich predaj ukončený.
- Niektoré modely nemusia byť v niektorých regiónoch dostupné.

Pred pripojením háčika pre reproduktor:

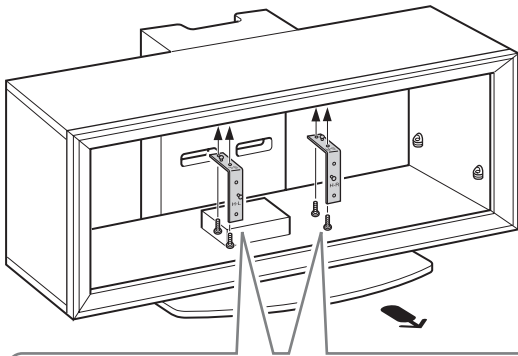
Pre model SS-CT71/CNP2200 má značenie H-L/H-R smerovať dopredu. (H-L určuje ľavú stranu, H-R pravú stranu.)

Pre model SS-CT72/CT74 má značenie S-L/S-R smerovať dopredu. (S-L určuje ľavú stranu, S-R pravú stranu.)

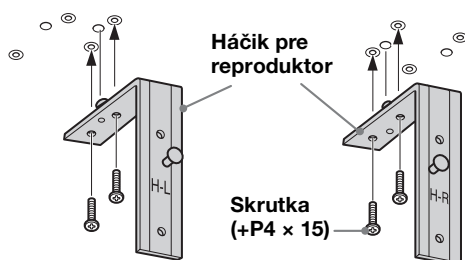


1 Pripevnite háčik pre reproduktor.

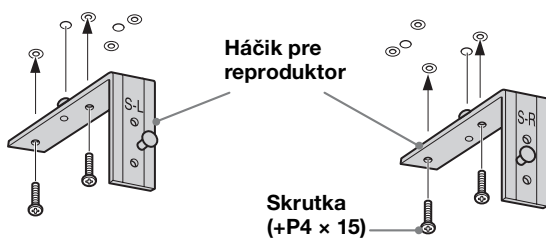
Zaistite jednotlivé háčiky pre reproduktory pomocou dodaných skrutiek (+P4 × 15) (dve skrutky pre ľavú a pravú stranu) k spodnej strane hornej dosky.



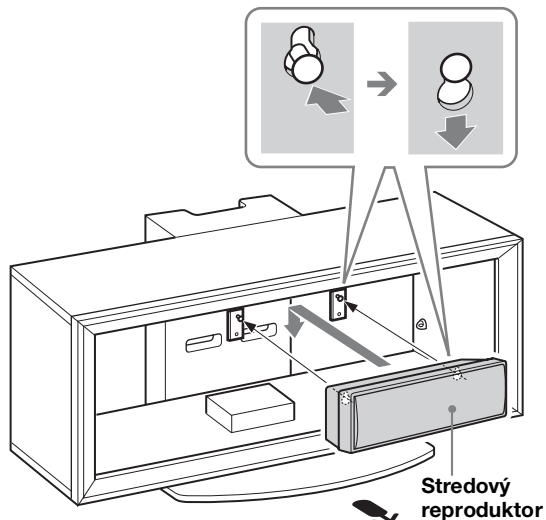
Stredový reproduktor: SS-CT71/CNP2200



Stredový reproduktor: SS-CT72/CT74



2 Zaveste stredový reproduktor na skrutky háčika, ako vidíte na obrázku.



Köszönjük, hogy ezt a terméket vásárolta meg.

Vásárlói információ

Ezt a terméket csak jóváhagyott Sony képviselőnek szabad felszerelnie, mert a felszereléshez két vagy több személy, különös óvatosság, biztonság és technológia szükséges.

FIGYELEM

Ha a biztonsági előírásokat nem veszik figyelembe, vagy ha a terméket nem megfelelően használják, az súlyos sérülést vagy tüzet eredményezhet.

A használati utasítás a termék megfelelő kezelését tartalmazza, valamint a balesetek elkerüléséhez szükséges fontos óvintézkedéseket. Okvetlenül olvassa el ezt az útmutatót, és a terméket megfelelően használja. Tartsa meg ezt az útmutatót a későbbi tanulmányozás céljára.

Sony forgalmazóknak

A TV-készülék felszereléséhez két vagy több személy, különleges óvatosság és technológia szükséges. TV-készülék felszerelésekor gondosan kövesse a jelen útmutató utasításait. A Sony nem felelős a termék nem megfelelő kezeléséből vagy felszereléséből eredő károkért vagy sérülésekért. A felszerelés után adja át ezt a kézikönyvet a vásárlónak.

A biztonságról

A Sony termékek tervezésekor a biztonság alapvető szempont. A nem megfelelő használat tüzet, áramütést, a termék átbillenését vagy lesését okozhatja, ami súlyos sérülést okozhat. Az ilyen balesetek elkerülése érdekében vegye figyelembe a biztonsági óvintézkedéseket.

VIGYÁZAT

Meghatározott termékek

A következő termékek figyelmeztetés nélkül változhatnak. Bizonyos típusok kifogyhatnak vagy gyártásuk megszűnhet, vagy csak adott régiókban érhetőek el.

	Színes LCD TV	
SU-FL300M	KDL-46W3500	KDL-40D2600
	KDL-46W3100	KLV-40W300A
	KDL-46W3000	KLV-40V300A
	KDL-46V3100	KLV-40D300A
	KDL-46V3000	KDL-37S3100
	KDL-46VL130	KLV-37S310A
	KDL-46S3000	KDL-32XBR4
	KDL-46D3550	KDL-32V3100
	KDL-46D3500	KDL-32T3000
	KDL-46D3100	KDL-32T2800
	KDL-46D3010	KDL-32T2600
	KDL-46D3000	KDL-32S3100
	KLV-46W300A	KDL-32S3000
	KLV-46V300A	KDL-32SL130
	KLV-46D300A	KDL-32D3100
	KDL-40W3500	KDL-32D3010
	KDL-40W3100	KDL-32D3000
	KDL-40W3000	KDL-32D2810
	KDL-40V3100	KDL-32D2710
	KDL-40V3000	KDL-32D2600
	KDL-40VL130	KLV-32V300A
	KDL-40T3000	KLV-32S310A
	KDL-40T2800	KLV-32D300A
	KDL-40T2600	
	KDL-40S3000	
	KDL-40SL130	
	KDL-40D3550	
	KDL-40D3500	
	KDL-40D3100	
	KDL-40D3010	
	KDL-40D3000	
KDL-40D2810		
KDL-40D2710		
SU-FL300L	KDL-52W3000	
	KDL-52WL130	
	KDL-46W3000	
	KDL-46V3000	
	KDL-46VL130	
	KDL-46S3000	

Ez a TV-állvány csak a fentiekben meghatározott termékekkel használható. Egyéb TV-készülékek esetén a használati útmutatóból tájékozódhat a TV-állvány használhatóságáról.

Bizonyos TV-készülékekhez rövid leírás is tartozik, ahol a TV-állvány felszereléséről tájékozódhat.

FIGYELEM

Ha a következő óvintézkedéseket nem tartják be, az tűzhoz, áramütéshez vagy a termék átbillenéséhez vezethet, ami súlyos sérülést vagy halált okozhat.

A termékek felszerelését csak jóváhagyott Sony képviselő végezheti el.

A TV-készülék és a TV-állvány nagyon nehéz; a nem szakképzett személyek által történő felszerelés súlyos sérüléshez vezethet.

Tegyen meg minden annak érdekében, hogy a TV-állvány ne billenjen át.

Ha nem ezt teszi, a TV-készülék átbillenhet, és sérülést okozhat.

Az átbillenés megakadályozása érdekében a TV-készüléket rögzítse falhoz stb.

A TV-állványt erős és vízszintes padlóra helyezze.

A TV-állványt ne helyezze el ferde padlón. Ha nem ezt teszi, a TV-állvány átbillenhet, és a TV-készülék leeshet. Ez sérülést vagy károsodást okozhat.

Ha a TV-állványt puha felületre, pl. szőnyegre vagy egyéb fedőrétegre kívánja helyezni, az elhelyezés előtt a kijelölt területre helyezzen fedőlemezt.

Ne használjon megrepedt TV-állványt.

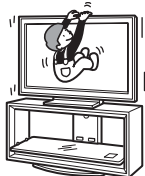
Ne használja a TV-állványt, ha repedés látható rajta. Az üveg eltörhet, és a TV-készülék átbillenhet, ami súlyos sérüléshez vagy károsodáshoz vezethet.

Megrepedt TV-állvány



Ne támaszkodjon a TV-készülékre, és ne kapaszkodjon belé.

A TV-állvány átbillenhet, vagy a TV-készülék leeshet, ami súlyos sérülést vagy halált okozhat.



Ne engedje, hogy a gyermekek a TV-állványba kapaszkodjanak, vagy a polcok közé mászsanak.

Ha a gyermekek a TV-állványba kapaszkodnak vagy a polcok közé kerülnek, ha az üveg eltörik vagy a TV-állvány és a TV-készülék átbillen, az súlyos sérülést vagy halált okozhat.



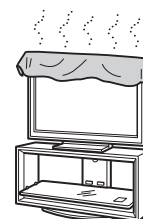
Ne lépjen a TV-állványra.

Leeshet, eltörheti az üveget, és sérülést okozhat.



Ne takarja el a TV-készülék szellőzőnyílásait.

Ha eltakarja a szellőzőnyílásokat (ruhával stb.), a hő nem tud távozni a készülékből, és tüzet okozhat.



Ügyeljen, hogy az AC-tápkábel vagy a csatlakozókábel ne csípődjön be.

- A TV-készülék TV-állványra történő helyezésekor ügyeljen, hogy az AC-tápkábel vagy a csatlakozókábel ne csípődjön be. Ha az AC-tápkábel vagy a csatlakozókábel megsérül, az tüzet vagy áramütést okozhat.
- A TV-készülék TV-állványra történő helyezésekor ügyeljen, hogy ne lépjen rá az AC-tápkábelre vagy a csatlakozókábelre. Ha az AC-tápkábel vagy a csatlakozókábel megsérül, az tüzet vagy áramütést okozhat.



Ne mozgassa a TV-állványt csatlakoztatott TV-készülékkel vagy az állványban található csatlakoztatott berendezésekkel.

Ha a TV-állványt csatlakoztatott TV-készülék mellett mozgatja, az hátsérülést okozhat, vagy a TV-állvány átbillenhet és súlyos sérülést okozhat. Ezenkívül a benne található csatlakoztatott berendezések leeshetnek, és az üvegpolt eltörhet vagy más károsodást okozhat.



VIGYÁZAT

Az alábbi óvintézkedések be nem tartása esetén sérülés vagy anyagi kár következhet be.

Csak a megadott berendezésnek megfelelő berendezést helyezzen el.

- Ez a TV-állvány csak a meghatározott termékekkel használható. Ha a megadott termékektől eltérő termékeket helyez rá, az leeshet vagy eltörhet, és sérülést okozhat.
- A TV-állványra ne helyezzen cserepes növényt vagy vázát stb.
- Ne módosítsa a TV-állványt.
- Ne helyezzen forró tárgyat közvetlenül a TV-állványra. A hő elszíneződést vagy a TV-állvány deformálódását okozza.
- Ne helyezzen a TV-állványra közvetlenül olyan tárgyat, amely károsíthatja az üveget.

Biztonságosan rögzítse a TV-készüléket!

Rögzítse a TV-készüléket a TV-állványhoz a mellékelt rögzítőelemek segítségével. Ha a TV-készülék nincs biztonságosan elhelyezve, leeshet, vagy a TV-állvány átbillenhet és sérülést okozhat.

Ne fejtse ki erőhatást az üvegre, és ne tegye ki semmilyen behatásnak.

A TV-készülék elhelyezésekor a kezével a TV-állványra ne fejtse ki erőt. Ne üsse meg a TV-állványt kemény tárgyakkal, mint például csavarhúzóval stb. Az üveg eltörhet, és sérülést okozhat.

A TV-állvány szállításakor

Ha a TV-állványt egyedül kísérel meg mozgatni, vagy a megfelelő eljárások mellőzésével, az sérülést okozhat. Ennek az elkerüléséhez kövesse az alábbi utasításokat.

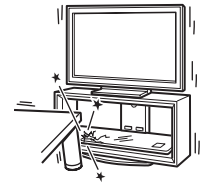
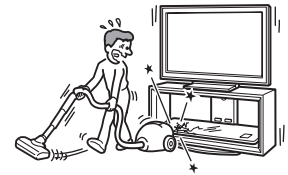
- Győződjön meg róla, hogy a TV-állványt két vagy több személy szállítja, és csak azt követően, hogy a TV-készüléket, a csatlakoztatott berendezéseket és az üvegpalcokat eltávolították.
- Ne húzza a TV-állványt. A TV-állvány alapvető alkatrészei leválhatnak, és károsíthatják a padlót.
- Ügyeljen arra, hogy a keze vagy a lába ne szoruljon az alaplap alá.
- A TV-állvány mozgatása közben ne fogja meg az üvegpalcot.

Óvja az üveget az erős ütődésektől.

A TV-állvány edzett üvegből készült, de óvatosan kell eljárni.

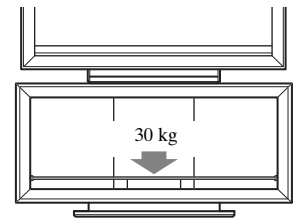
Ha az üveg eltörik, az üvegrészek sérülést okozhatnak, ezért tartsa be az alábbi óvintézkedéseket.

- Ne üsse meg az üveget, és ne ejtse rá éles hegyű tárgyakat. Kerülje a túlzott erőhatást.
- Ne karcolja és ne szurkálja az üveget éles hegyű tárgyakkal.
- Ügyeljen arra, hogy kemény tárgyak, mint például porszívó, ne ütődjenek az üveg széléhez.



Teherbírással kapcsolatos megjegyzés

Az egyes polcokra ne helyezzen a maximális teherbírásnál nehezebb tárgyat (lásd az ábrát). Ellenkező esetben a polc eltörhet.



Felszereléssel kapcsolatos megjegyzés

- Összeszereléskor fektesse a csomagolóanyagokat a padlóra, hogy a padló ne sérüljön meg.
- A TV-állványt erős és vízszintes padlóra helyezze. A TV-állványt ne helyezze el szögben, és ne döntse meg. Ennek elkerülése érdekében tartsa be a következő óvintézkedéseket.
 - A TV-állványt ne helyezze közvetlen napfénynek kitett helyre vagy hőszugárzó közelébe.
 - Ne helyezze a TV-állványt meleg vagy nedves helyre, vagy kültérre.

Használattal kapcsolatos megjegyzés

A TV-állványt a tisztán tartáshoz alkalmanként törölje át száraz puha ronggyal. A makacs szennyeződéseket enyhe szappanos vízben enyhén benedvesített ronggyal távolítsa el. A területet ezt követően száraz puha ronggyal szárítsa. Ne használjon vegyszereket, mint például oldószert vagy benzint, mert az károsíthatja a TV-állvány bevonatát.

Sony forgalmazóknak

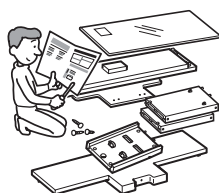
Győződjön meg róla, hogy alaposan átolvasta az előzőekben bemutatott biztonsági óvintézkedéseket, és különös figyelmet fordítson a biztonságra a termék felszerelése, karbantartása, ellenőrzése és javítása során.

Győződjön meg róla, hogy a felszerelést két vagy több személy végzi.

Győződjön meg róla, hogy a TV-készüléket a TV-állványra két vagy több személy helyezi fel. Ha az előkészítési munkát egyetlen személy végzi, az balesetet vagy sérülést okozhat. A felszerelés során a gyermekeket távol kell tartani.

A TV-állványt az utasítások betartásával, biztonságosan szerelje össze.

Ha a csavar nincs megfelelően meghúzva vagy leesett, a TV-állvány átbillenhet. Ez károsodást vagy sérülést okozhat.



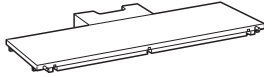
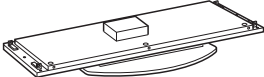
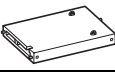
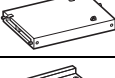
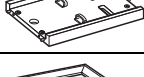


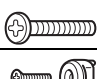
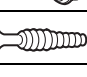

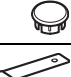
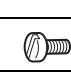
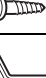
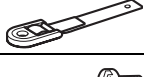

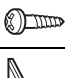
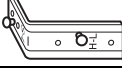
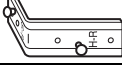

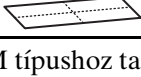
Az összeszereléskor ügyeljen arra, hogy a kezei vagy az ujjai ne sérüljenek meg.

A TV-állvány összeszerelésekor és a TV-készülék elhelyezkedésekor ügyeljen arra, hogy az ujjá vagy a keze ne csípődjön be.

A TV-készüléket az utasítások betartásával, biztonságosan szerelje fel.

Biztonságosan húzza meg a csavarokat. Ha a TV-készülék nincs biztonságosan elhelyezve, leeshet és sérülést okozhat.

1. lépés: Az összetevők ellenőrzése

Név	Mennyiség
Felső lap 	1
Alaplap 	1
Oldaloszlop (L)*1 	1
Oldaloszlop (R)*1 	1
Hátulós oszlop 	1
Előlap 	1
Üvegpolc 	1
Csavar (+PWH5 × 25) 	a*4 8
Csavar (+K4 × 20) + Persely 	b*4 2
Bütykös rögzítőcsavar 	c*4 4
Csavar (+P4 × 15) 	d*4 4
Rögzítőcsap 	e*4 2
Csavarsapka 	f*4 3
Tartószíj 	g*4 1
Csavar (M6 × 18) 	
Facsavar (M3,8 × 20) 	
Hangszórórögzítő (L) 	1
Hangszórórögzítő (R) 	1
Papírsablon 	4*2 3*3
Szalag 	1

*1 A fenti ábrák az SU-FL300M típushoz tartoznak. Ez eltér az SU-FL300L típustól. Az SU-FL300L esetén az oldaloszlop oldalán két bevágás található.

*2 Az SU-FL300M esetén négy papírsablon áll rendelkezésre.

*3 Az SU-FL300L esetén három papírsablon áll rendelkezésre.

*4 Az alkatrész-tasakokat abécé sorrendben feliratozzák.

(Folytatás)

5 (HU)

Győződjön meg róla, hogy az összeszerelés elkezdése előtt rendelkezik olyan csillagsavarhúzóval, amely megfelel a fentiekben bemutatott csavaroknak.

2. lépés: A TV-állvány összeszerelése

FIGYELEM

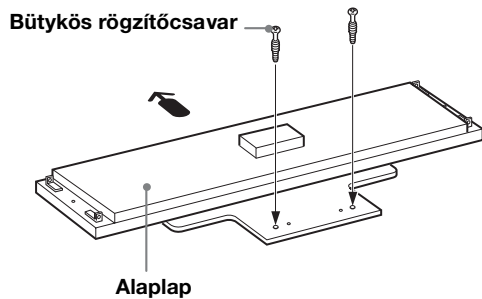
Ha az AC-tápkábel a berendezés alá vagy a berendezés összetevői közé szorul, ez rövidzárlatot vagy áramütést okozhat. Ha belebotlik az AC-tápkábelre vagy a csatlakozókábelbe, a TV-állvány átbillenhet és sérülést okozhat.

Döntse el a telepítési helyet, és a TV-készülék elhelyezése előtt helyezze el a TV-állványt.

Mivel a TV-készülék nehéz, javasolt, hogy előzetesen döntse el a TV-készülék elhelyezését, és a TV-állványt a helyszínen szerelje össze.

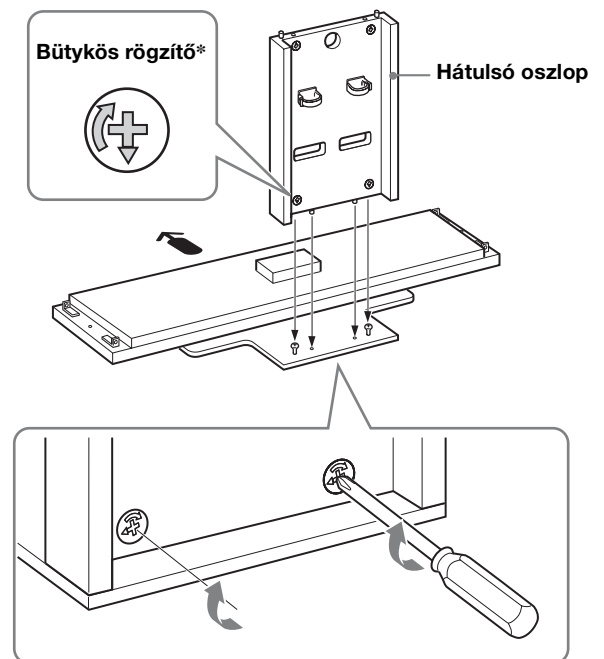
1 Csatlakoztassa a hátsó oszlopot az alaplaphoz.

- 1 Húzza rá a két mellékelt bütykös rögzítőcsavart az alaplapra.



← A nyíl iránya a TV-állvány elejét mutatja.

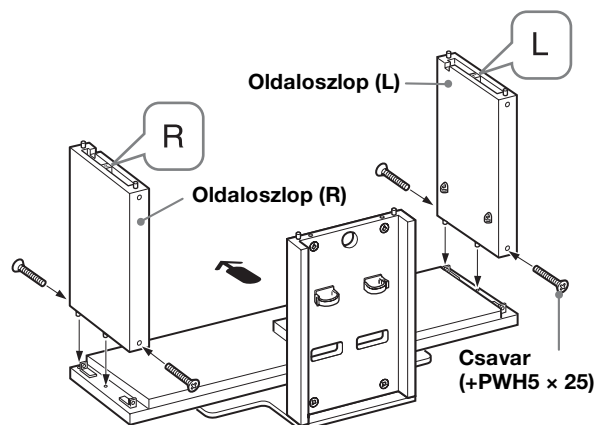
- 2 Csatlakoztassa a hátsó oszlopot az alaplaphoz, és csavarhúzóval rögzítse a két bütykös rögzítőt.



* A hátsó oszlop csatlakoztatása előtt győződjön meg róla, hogy az ∇ jelölés lefele mutat.

2 Csatlakoztassa az oldaloszlopokat az alaplaphoz.

Rögzítse az oldaloszlopokat az alaplaphoz a négy mellékelt csavar (+PWH5 × 25) segítségével.

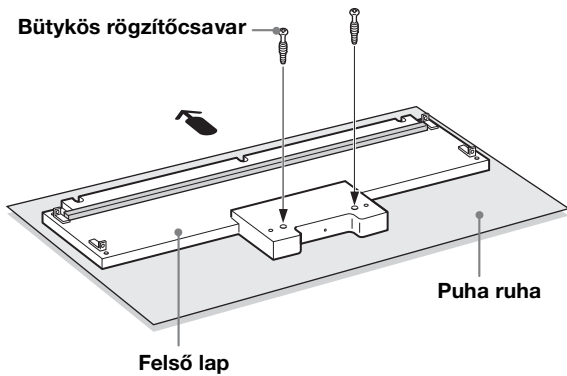


Megjegyzés

A bal és a jobb oszlopok között különbség van. Ügyeljen arra, hogy az egyes oszlopokat a megfelelő oldalra helyezze.

3 Csatlakoztassa a felső lapot.

- 1 Húzza rá a két mellékelt bütykös rögzítőcsavart a felső lapra.

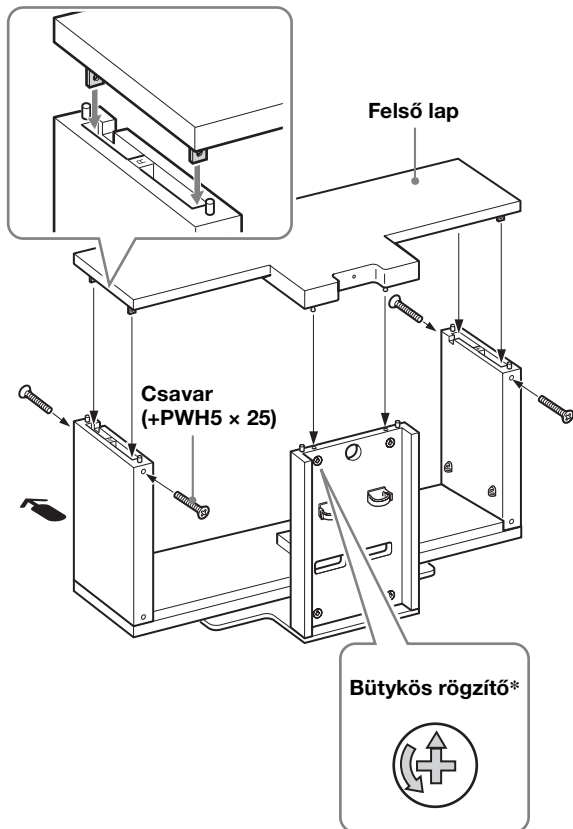


A fent látható ábrán példaként az SU-FL300M látható. Az SU-FL300L esetén a felső lapon két merevítőrúd található.

Megjegyzés

A felső lap fényes felületének károsodása elkerülhető, ha a munkaterület megtisztítja és puha ruhát helyez rá.

- 2 Illesse össze és helyezze be a rögzítőbilincseket a felső lap valamelyik oldalán keresztül az oldaloszlopokba.
- 3 Rögzítse az oldaloszlopokat a négy mellékelt csavar (+PWH5 × 25) segítségével. Csatlakoztassa a két fennmaradó bütykös rögzítőt a hátsó oszlop hátuljához.



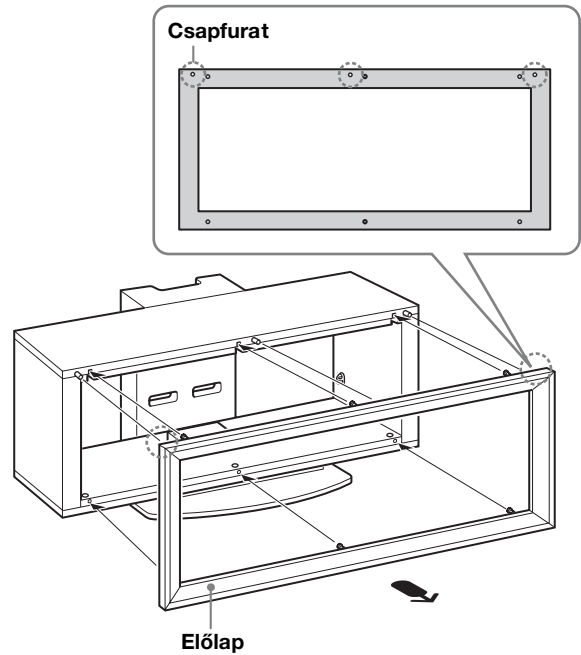
* A felső lap csatlakoztatása előtt győződjön meg róla, hogy az Δ jelölés felfele mutat.

Megjegyzés

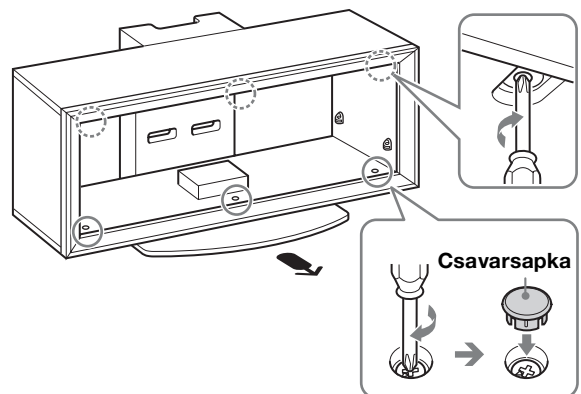
Legyen óvatos, nehogy becsípje az ujját a felső lap csatlakoztatása közben.

4 Csatlakoztassa az előlapot a TV-állványhoz.

- 1 Igazítsa a TV-állvány három csapját az előlap három furatához.



- 2 Az előlap rögzítéséhez forgassa a hat bütykös rögzítőcsavart a felső és az alaplapon az óramutató járásával megegyező irányba. Ezt követően csatlakoztassa a három mellékelt csavarsapkát a három alsó csavarhoz.



Megjegyzés

Ügyeljen arra, hogy az előlapot a megfelelő irányban rögzítse.

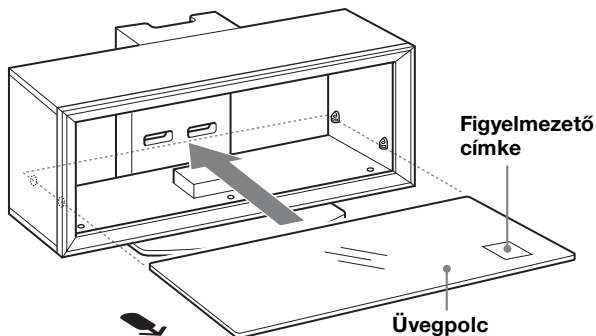
(Folytatás)

7 (HU)

5 Csatlakoztassa az üvegpalcot.

Ha házimozsi rendszert csatlakoztat az állványhoz, először a hangszórórögzítőket szerelje fel (Tájékoztató lásd: „Középső hangszóró felszerelése (csak házimozsi rendszerek)” részt a 12. oldalon).

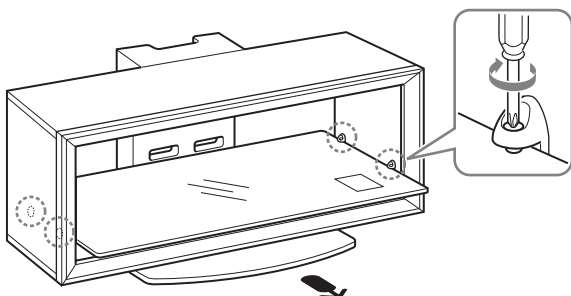
- 1 Helyezze be teljesen az üvegpalcot, amíg az hozzá nem ér a hátsó oszlophoz.



Megjegyzés

Csatlakoztassa az üvegpalcot a TV-állványhoz. A figyelmeztető címkék a jobb-első oldalon legyenek, az ábra szerint.

- 2 Húzza meg a négy csavart az oldaloszlopon az üvegpalc és a TV-állvány rögzítéséhez.



3. lépés: A TV-készülék felszerelésének előkészítése

1 Csatlakoztassa a perselyt a felső laphoz.

Rögzítse a perselyeket a mellékelt csavarokkal (+K4 × 20).

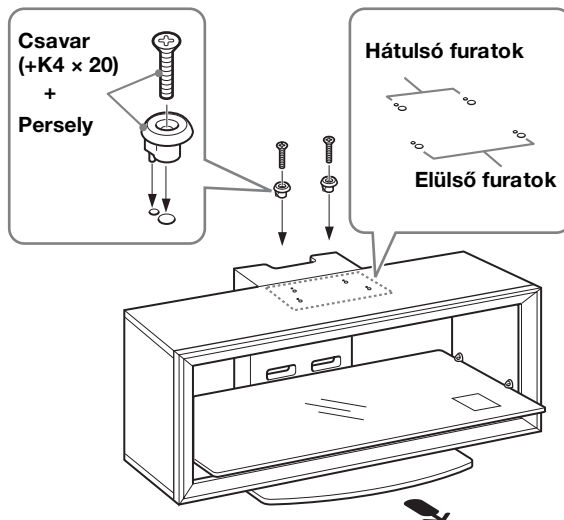
A 2. oldalon nem látható modellek esetén:
Használja az elülső lyukakat.

A 2. oldalon látható modellek esetén:
Elfordítható típusú modellek* esetén használja a hátsó furatot; a nem elfordítható típusú modellek esetén használja a két elülső furatot.

Megjegyzés

Ellenőrizze a TV-készülék felhasználói kézikönyvét annak a megállapítása érdekében, hogy a TV-készülék elforgatható-e vagy sem.

* Az elforgatás funkcióval állíthat a TV-készülék megtekintési szögén (bal és jobb).



2 Illessze a mellékelt papírsablont a felső lapra.

- 1 Válassza ki a mellékelt papírsablont, és illessze a papírsablon jobb sarkát a felső lap jobb sarkához.

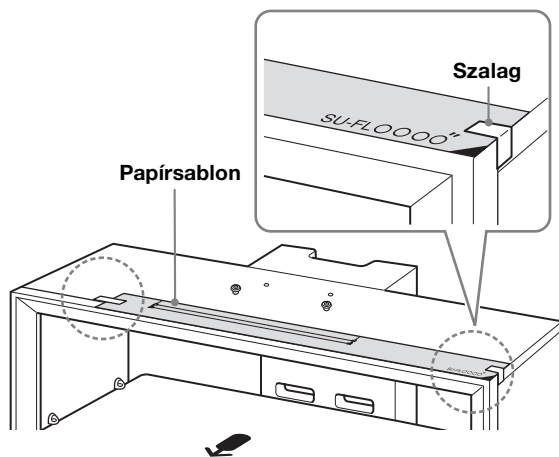
A 2. oldalon nem látható modellek esetén:

Mindenképpen használja a TV-készülékhez mellékelt tájékoztatót, és a TV-készüléknek megfelelő papírsablont válassza ki.

A 2. oldalon látható modellek esetén:

Válassza ki a TV-képernyő méretének megfelelő fekete papírsablont.

- 2 A mellékelt ragasztószalaggal ragassza a papírsablont a felső lapra.



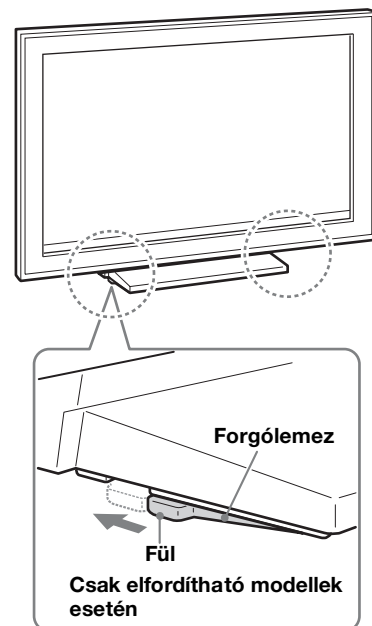
4. lépés: A TV-készülék felszerelése

Ha még nem tette meg, csatlakoztassa a TV-készüléket az asztal-állványhoz.

A 2. oldalon megadott elfordítható modellek esetén kövesse az eljárást a 4. lépés 1. részében.

1 Állítsa középre a forgólemez helyzetét (Csak elfordítható modellek esetén).

A TV-készülék felszerelése előtt igazítsa a forgólemez fülét az asztal-állvány nyílásába.

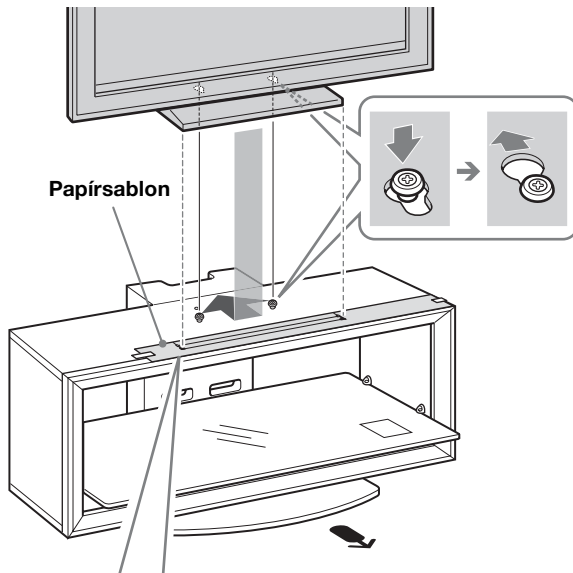


FIGYELEM

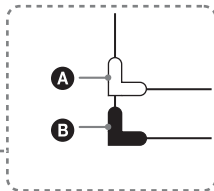
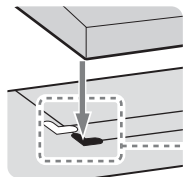
Ha a forgólemez nincs megfelelően beállítva, a TV-készülék nem szerelhető fel biztonságosan, és leeshet.

2 Szerelje a TV-készüléket a TV-állványra.

- 1 Illessze az asztallap-állvány körvonalát a TV-képernyő körvonalához és a papírsablon sarokjelzéseivel, hogy az asztallap-állvány alján található furatok illeszkedjenek a 3. lépés 1. részében csatlakoztatott perselyekhez.
- 2 A TV-készülék helyére rögzítéséhez csúsztassa vissza a TV-készüléket.
- 3 Vegye le a papírsablont a felső lapról.



Csak a 2. oldalon megadott elfordítható modellek esetén.



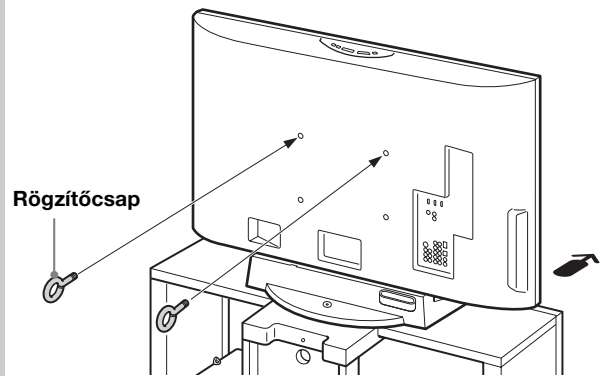
- A A fehér sarokjelzés az elfordítható típusú modellekhez.
- B A fekete sarokjelzés az elfordítható típusú modellekhez áll rendelkezésre.

Megjegyzés

A 37/40 hüvelykes felhasználók esetén az asztallap-állványt a fekete sarokjelzéshez illessze, függetlenül attól, hogy a TV elfordítható-e vagy sem. (A 37/40 hüvelykes méret esetén a papírsablonon nincs fehér sarokjelzés.)

3 Csatlakoztassa a rögzítőcsapokat.

Rögzítse a két mellékelt rögzítőcsapot a TV-készülék hátuljához.



Megjegyzés

Ha a TV-készülék rögzítéséhez nem használja a két rögzítőcsapot, a TV-készülék leeshet és sérülést okozhat.

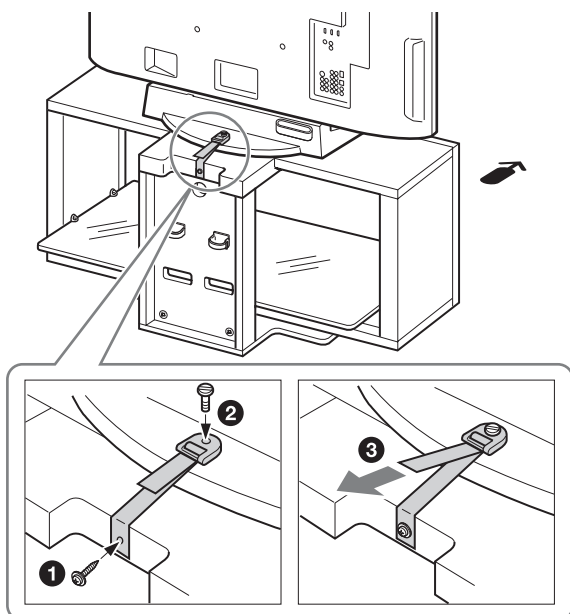
5. lépés: Biztonsági intézkedések az átbillenés megakadályozása érdekében

FIGYELEM

Tegyen meg minden annak érdekében, hogy a TV-állvány ne forduljon át, mert ez lehetséges sérülést és károsodást okozhat.

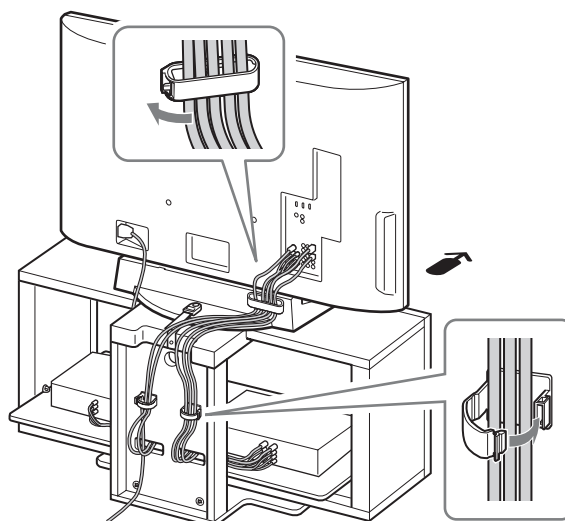
1 A tartósíj csatlakoztatása.

- 1 Csavarhúzóval csavarozza a tartósíjait a TV-állványhoz a mellékelt facsavarral.
- 2 Csatlakoztassa a tartósíjait az asztal-állványhoz, és pénzérme stb. segítségével csavarozza be a síjait a mellékelt rögzítőcsavarral.
- 3 Állítsa be a hosszt a tartósíj meghúzásával, és közben tartsa meg az asztal-állványt.



2 Csatlakoztassa a kábeleket.

Vezesse át a kábeleket a kábeltartókon és a hátulsi oszlopfuratokon.



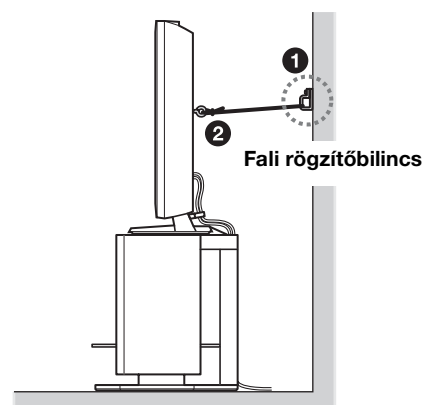
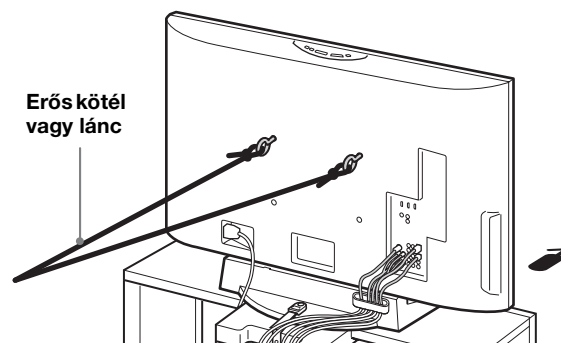
Megjegyzés

Ha a kábelek nincsenek megfelelően beszerelve, beszorulhatnak és károsodhatnak, ami áramütéshez vezethet.

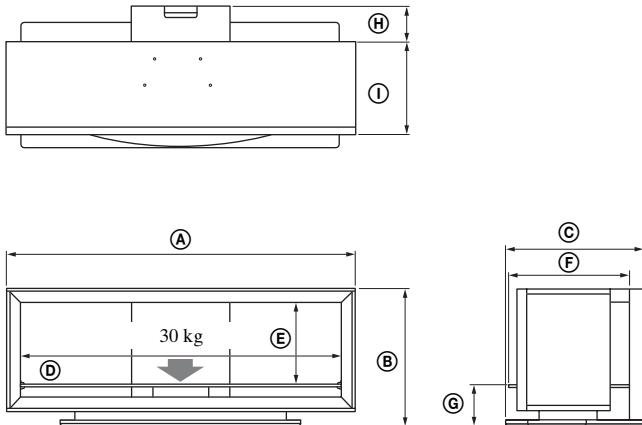
3 Rögzítse a TV-készüléket a falhoz.

Erre a célra készítsen elő erős, kereskedelemben elérhető kötelet vagy láncot és fali rögzítőbilincset.

- 1 Rögzítse a fali rögzítőbilincset szilárd falhoz.
- 2 Vezesse át a kötelet vagy a láncot a rögzítőcsapok mindkét furatán, és rögzítse a kötel vagy a lánc másik végét a fali rögzítőbilincshez.



Műszaki adatok



Teherbírással kapcsolatos megjegyzés

Az üvegpolicokra ne helyezzen a maximális terhelhetőséget meghaladó berendezést, mert a polc eltörhet és sérülést okozhat.

		SU-FL300M	SU-FL300L
Méretek: mm	Ⓐ	1 035	1 280
	Ⓑ	503	503
	Ⓒ	485	518
	Ⓓ	895	1 140
	Ⓔ	303	303
	Ⓕ	418	468
	Ⓖ	146	146
	Ⓗ	120	130
	Ⓘ	272	340
Súly:		35 kg	52 kg

A forma és a műszaki adatok előzetes bejelentés nélkül megváltozhatnak.

Középső hangszóró felszerelése (csak házimozzi rendszerek)

Az SS-CT71/CNP2200 típusú középső hangszóró a következő házimozzi rendszerekhez érhető el:

DAV-HDX665	HT-SF2000
DAV-HDX466	HT-SF1200
DAV-HDX465	HT-SF1100
DAV-HDX267W	DAV-DZ750K
DAV-HDX266	DAV-DZ630
DAV-HDX265	DAV-DZ556KB
DAV-HDZ235	DAV-DZ555K
	DAV-DZ555M
	DAV-DZ530
	DAV-DZ250KW
	DAV-DZ250K
	DAV-DZ250M
	DAV-DZ231
	DAV-DZ230
	DAV-DZ151KB
	DAV-DZ150K

Az SS-CT72/CT74 típusú középső hangszóró a következő házimozzi rendszerekhez érhető el:

DAV-HDX900W	DAV-DZ1000
DAV-HDX501W	DAV-DZ850KW
DAV-HDX500	DAV-DZ850M
	DAV-DZ830W
	DAV-DZ531W

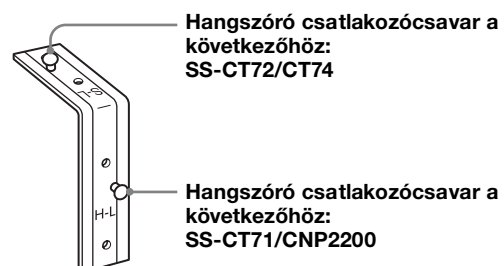
Megjegyzések

- A következő termékek figyelmeztetés nélkül változhatnak kifogyhatnak vagy megszűnhet gyártásuk.
- Előfordulhat, hogy bizonyos termékeket nem forgalmaznak mindenütt.

A hangszórórögztő csatlakoztatása előtt:

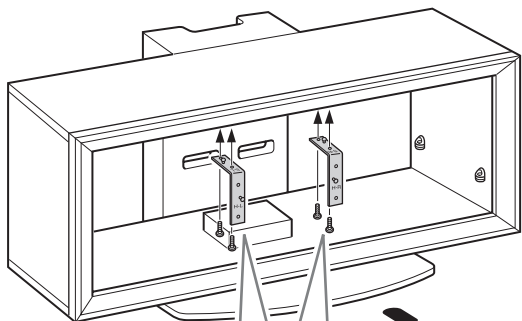
Az SS-CT71/CNP2200 esetén a H-L/H-R jeleknek Önnel szembe kell nézniük. (H-L a bal oldalhoz, H-R a jobb oldalhoz.)

Az SS-CT72/CT74 esetén az S-L/S-R jeleknek Önnel szembe kell nézniük. (S-L a bal oldalhoz, S-R a jobb oldalhoz.)

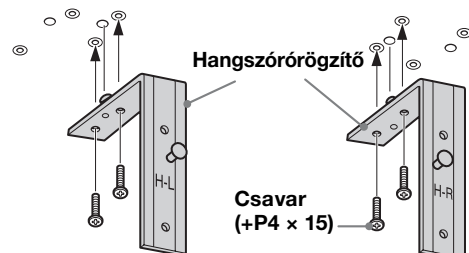


1 Csatlakoztassa a hangszórórögzítőt.

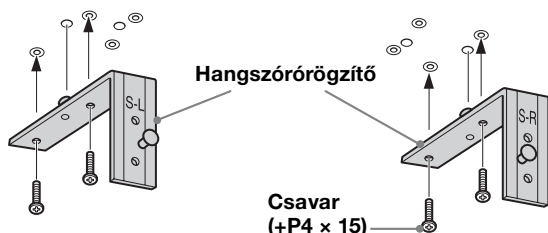
A mellékelt csavarokkal (+P4 × 15) (a bal/jobbs oldalhoz két-két csavar) rögzítse az egyes hangszórórögzítőt a felső lap alá.



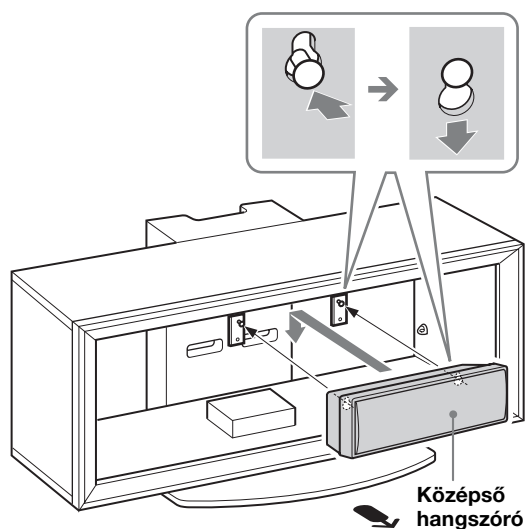
Középső hangszóró: SS-CT71/CNP2200



Középső hangszóró: SS-CT72/CT74



2 Akassza a középső hangszórót a rögzítőcsavarokra az ábra szerint.



Bu ürünü satın aldığınız için teşekkür ederiz.

Müşteriler için

İki veya daha fazla kişi, özel dikkat, güvenlik ve teknik bilgi gerektirdiğinden, bu ürünün yalnızca yetkili Sony servis elemanları tarafından monte edilmesi gerekir.

UYARI

Güvenlik önlemlerine uyulmazsa veya ürün doğru kullanılmazsa ciddi yaralanma veya yangına neden olabilir.

Bu kullanım kılavuzu, ürünün doğru kullanımını ve kazalardan korunmak için gerekli temel önlemleri göstermektedir. Bu kılavuzu baştan sona okuduğunuzdan ve ürünü doğru şekilde kullandığınızdan emin olun. Bu kılavuzu daha sonra başvurmak üzere saklayın.

Sony satıcıları için

TV'nin montajı iki veya daha fazla kişi, özel dikkat ve teknik bilgi gerektirir. Bir TV'yi monte ederken bu kılavuzu dikkatli bir şekilde okuyun. Sony, yanlış montaj veya kullanımın neden olduğu herhangi bir kaza veya hasardan sorumlu değildir. Lütfen montajdan sonra bu kılavuzu müşteriye verin.

Güvenlik Hakkında

Sony ürünleri güvenlik göz önünde bulundurarak tasarlanmıştır. Yanlış kullanım, yangın, elektrik çarpması, ürünün devrilmesi veya ürünün düşürülmesine yol açarak ciddi bir yaralanmaya neden olabilir. Bu gibi kazaları engellemek için gerekli önlemlere uduğunuzdan emin olun.

DİKKAT

Belirtilen ürünler

Aşağıdaki ürünler haber verilmeksizin değiştirilebilir. Belirli modeller stokta olmayabilir veya üretimi durdurulmuş olabilir ya da belirli bölgelerde mevcut olmayabilir.

	LCD Renkli TV	
SU-FL300M	KDL-46W3500	KDL-40D2600
	KDL-46W3100	KLV-40W300A
	KDL-46W3000	KLV-40V300A
	KDL-46V3100	KLV-40D300A
	KDL-46V3000	KDL-37S3100
	KDL-46VL130	KLV-37S310A
	KDL-46S3000	KDL-32XBR4
	KDL-46D3550	KDL-32V3100
	KDL-46D3500	KDL-32T3000
	KDL-46D3100	KDL-32T2800
	KDL-46D3010	KDL-32T2600
	KDL-46D3000	KDL-32S3100
	KLV-46W300A	KDL-32S3000
	KLV-46V300A	KDL-32SL130
	KLV-46D300A	KDL-32D3100
	KDL-40W3500	KDL-32D3010
	KDL-40W3100	KDL-32D3000
	KDL-40W3000	KDL-32D2810
	KDL-40V3100	KDL-32D2710
	KDL-40V3000	KDL-32D2600
	KDL-40VL130	KLV-32V300A
	KDL-40T3000	KLV-32S310A
	KDL-40T2800	KLV-32D300A
	KDL-40T2600	
	KDL-40S3000	
	KDL-40SL130	
	KDL-40D3550	
	KDL-40D3500	
	KDL-40D3100	
	KDL-40D3010	
KDL-40D3000		
KDL-40D2810		
KDL-40D2710		
SU-FL300L	KDL-52W3000	
	KDL-52WL130	
	KDL-46W3000	
	KDL-46V3000	
	KDL-46VL130	
	KDL-46S3000	

Bu TV Sehpaı yukarıda belirtilen ürünlerde kullanmak üzere tasarlanmıştır. Diğer TV'lerde bu TV Sehpaının kullanılıp kullanılmayacağını öğrenmek için kullanım talimatlarına bakın.

Bazı TV'ler TV Sehpaının nasıl monte edileceğini açıklayan bir kitapçıkla birlikte gelmektedir.

UYARI

Aşağıdaki önlemlere uyulmazsa, yangın, elektrik çarpması veya ürünün devrilmesi yüzünden ciddi yaralanma veya ölüm olabilir.

Ürünün yalnızca yetkili Sony servis elemanları tarafından monte edilmesi gerekir.

TV ve TV Sehпасı çok ağırdır; yetkisi olmayan kişilerce monte edilmesi ciddi yaralanmaya neden olabilir.

TV Sehпасının devrilmesini engellemek için gerekli önlemlerin alındığından emin olun.

Bunu yapmayı ihmal ederseniz TV devrilebilir ve yaralanmaya neden olabilir. Devrilmeyi önlemek için TV'yi duvara vb. sıkıca bağlayın.

TV Sehпасını sert ve düz bir zemine kurduğunuzdan emin olun.

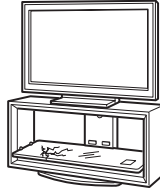
TV Sehпасını bir yöne yatacak şekilde kurmayın. Böyle yaparsanız TV Sehпасı devrilebilir veya TV düşebilir. Bu yaralanma veya hasara neden olabilir.

TV Sehпасını paspas veya halı gibi yumuşak bir yüzeye kurarsanız, önceden belirlenen yere bir pano döşeyin.

Çatlak TV Sehпасı kullanmayın.

TV Sehпасını herhangi bir çatlağı varsa kullanmayın. Cam kırılabilir ve ciddi yaralanma veya hasara yol açabilecek şekilde TV'nin devrilmesine neden olabilir.

Çatlak TV Sehпасı



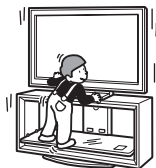
TV'ye yaslanmayın veya asılmayın.

TV Sehпасı devrilebilir veya TV düşebilir ve ciddi yaralanma veya ölüme neden olabilir.



TV Sehпасına çocukların tırmanmasına veya raflar arasında sürünmesine izin vermeyin.

Çocuklar TV Sehпасına tırmanır veya rafların arasına girerlerse ve cam kırılır veya TV Sehпасı ve TV devrilirse bu ciddi yaralanma veya ölüme sonuçlanabilir.



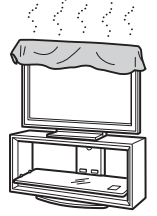
TV Sehпасının üzerine basmayın.

Düşebilir veya camı kırabilirsiniz ve bu yaralanmaya neden olabilir.



TV'nin havalandırma deliklerini kapatmayın.

Havalandırma deliklerini kapatırsanız (bez örtü vb. ile), içerde ısı oluşabilir ve yangına neden olabilir.



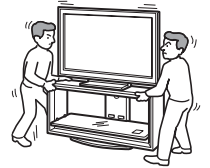
AC güç kablosunun veya bağlantı kablosunun sıkışıp ezilmesine izin vermeyin.

- TV'yi, TV Sehпасına monte ettiğinizde AC güç kablosunun veya bağlantı kablosunun sıkışıp ezilmesine izin vermeyin. AC güç kablosu veya bağlantı kablosu hasar görürse bu yangın veya elektrik çarpmasına neden olabilir.
- TV Sehпасını taşıırken AC güç kablosu veya bağlantı kablosuna basmayın. AC güç kablosu veya bağlantı kablosu hasar görebilir ve bu yangın veya elektrik çarpmasına neden olabilir.



TV takılıken veya donanım bağlıken TV Sehпасını taşımayın.

TV takılıken TV Sehпасını taşırsanız, sırtınızı incitebilirsiniz veya Zemin Sehпасı devrilerek ciddi yaralanmaya neden olabilir. Ayrıca içinde bağlı olan herhangi bir donanım düşebilir ve cam rafın kırılmasına veya diğer eşyaların zarar görmesine neden olabilir.



DİKKAT

Aşağıdaki önlemler alınmazsa, yaralanma veya eşya hasarı oluşabilir.

Belirtilen ürün dışında herhangi bir donanım kurmayın.

- Bu TV Sehpası yalnızca belirtilen üründe kullanılmak üzere tasarlanmıştır. Belirtilenden başka bir donanım kurarsanız düşebilir veya kırılabilir ve yaralanmaya neden olabilir.
- TV Sehpasına vazo, çanak çömlek vb. nesnelere koymayın.
- TV Sehpasında değişiklik yapmayın.
- TV Sehpasına doğrudan sıcak herhangi bir şey koymayın. Isı, TV Sehpasının renginin değişmesine veya deformasyona neden olabilir.
- TV Sehpasına cama zarar verebilecek herhangi bir şeyi doğrudan koymayın.

TV'yi sağlam yerleştirdiğinizden emin olun.

Ürünle birlikte bağlantı parçalarını kullanarak TV'yi TV Sehpasına sağlam bir şekilde bağlayın. TV sağlam monte edilmezse düşebilir veya TV Sehpası devrilebilir ve yaralanmaya neden olabilir.

Cama ağırlık uygulamayın veya herhangi bir darbeye maruz bırakmayın.

TV'yi monte ederken TV Sehpasına elinizle ağırlık uygulamayın. Tornavida vb. sert nesnelere TV Sehpasına vurmeyin. Cam kırılabilir ve yaralanmaya neden olabilir.

TV Sehpasını taşıırken

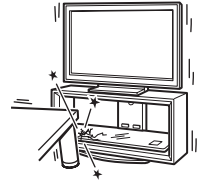
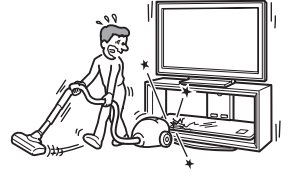
TV Sehpasını tek başına veya doğru prosedürleri uygulamadan taşımaya çalışmak yaralanmaya neden olabilir. Bunu önlemek için aşağıda verilen tavsiyeye uydunuzdan emin olun.

- TV Sehpasını yalnızca, TV, bağlı donanım ve cam raflar çıkartıldıktan sonra iki veya daha fazla kişiyle taşıdığından emin olun.
- TV Sehpasını sürüklemeyin. TV Sehpasının taban parçaları çıkabilir ve zemine zarar verebilir.
- Elinizin veya ayağınızın Taban Panosu altında ezilmemesi için dikkatli olun.
- TV Sehpasını taşıırken cam raftan tutmayın.

Camı aşırı sert darbeye maruz bırakmayın.

Bu TV Sehpası sertleştirilmiş camdan yapılmıştır, ancak dikkat edilmesi gerekir. Cam kırılırsa cam parçaları yaralanmaya neden olabilir bu yüzden aşağıdaki önlemleri alın.

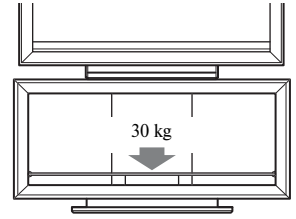
- Cama vurmeyin veya camın üstüne sivri uçlu nesnelere düşürmeyin. Aşırı sert darbelerden kaçının.
- Sivri uçlu nesnelere camı çizmeyin veya cama bastırmayın.
- Elektrik süpürgesi gibi sert nesnelere camın kenarlarına çarpmasına izin vermeyin.



Taşıma kapasitesine dikkat edin

Şekilde belirtildiği gibi her bir raf için maksimum ağırlığı aşan herhangi bir donanımı üzerine koymayın.

Aksi halde raflar kırılabilir.



Montaj notları

- Monte ederken zeminin zarar görmesini engellemek için zemine paketleme malzemelerini yayın.
- TV Sehpasını sert ve düz bir zemine monte edin. TV Sehpasının açılı veya eğimli olarak monte edilmesine izin vermeyin. Bunu engellemek için aşağıdaki önlemleri alın.
 - TV Sehpasını doğrudan güneş ışığına maruz kalan yerlere veya bir ısıtıcının yanına monte etmeyin.
 - TV Sehpasını sıcak veya nemli yerlere veya dış mekanlara monte etmeyin.

Kullanım notu

TV Sehpasını temiz tutmak için arada sırada kuru, yumuşak bir bezle silin. İnatçı kirler, yumuşak sabunla hafifçe nemlendirilmiş bir bezle silinerek çıkartılabilir. Ardından kuru, yumuşak bir bezle silinen alanı iyice kurulayın. TV Sehpasının cilasına zarar verebileceğinden tiner veya benzin gibi kimyasallar kullanmayın.

Sony satıcıları için

Şimdiye kadar açıklanan güvenlik önlemlerini baştan sona okuduğunuzdan ve ürünün montajı, bakımı, kontrolü ve tamiri sırasında güvenliğe özel önem verdiğinizden emin olun.

Montaj işlemini iki veya daha fazla kişinin yaptığınan emin olun.

TV'yi, TV Sehпасına iki veya daha fazla kişinin monte ettiğinden emin olun. Montaj işlemini bir kişi tek başına yaparsa bu bir kaza veya yaralanmayla sonuçlanabilir. Montaj sırasında çocukların uzakta olmasını sağlayın.

Talimatları uygulayarak TV Sehпасının sağlam bir şekilde monte edilmesini sağlayın.

Bir vida sağlam bir şekilde sıkıştırılmazsa veya düşerse TV Sehпасının devrilmesine neden olabilir. Bu hasar veya yaralanmaya neden olabilir.



Monte ederken ellerinizi veya parmaklarınızı yaralamamak için dikkatli olun.

TV Sehпасını ve TV'yi monte ederken parmaklarınızı veya ellerinizi sıkıştırmamak için dikkatli olun.

Talimatları uygulayarak TV'yi sağlam bir şekilde monte ettiğinizden emin olun.

Vidaları iyice sıkın. TV sağlam bir şekilde monte edilmezse düşebilir ve yaralanmaya neden olabilir.

Adım 1: Parçaları kontrol etme

Adı	Miktarı
Üst Pano	1
Taban Panosu	1
Yan Sütun (L)*1	1
Yan Sütun (R)*1	1
Arka Sütun	1
Ön Panel	1
Cam Raf	1
Vida (+PWH5 × 25)	a*4 8
Vida (+K4 × 20) + Manşon	b*4 2
Kam kilitlemeli vida	c*4 4
Vida (+P4 × 15)	d*4 4
Bağlantı halkası	e*4 2
Vida kapağı	f*4 3
Destek kayışı	g*4 1
Vida (M6 × 18)	g*4 1
Ahşap vidası (M3,8 × 20)	g*4 1
Hoparlör Askı Yeri (L)	1
Hoparlör Askı Yeri (R)	1
Kağıt şablon	4*2 3*3
Bant	1

*1 Yukarıdaki şekiller SU-FL300M içindir. Bu, SU-FL300L'den farklıdır. SU-FL300L için Yan Sütunun kenarında iki bölme parçası mevcuttur.

*2 SU-FL300M için, dört kağıt şablon sağlanır.

*3 SU-FL300L için, üç kağıt şablon sağlanır.

*4 Parçaları taşıyan çantalar alfabetik olarak etiketlenir.

Montajdan önce yukarıda belirtilen vidalara uyan bir yıldız tornavidanızın olduğundan emin olun.

Adım 2: TV Sehпасının Montajı

UYARI

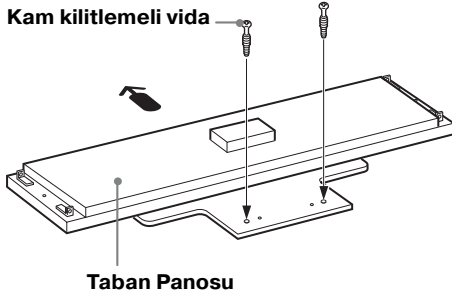
AC güç kablosunun donanımın altına veya parçalarının arasına sıkışmasına izin verirsiniz bu bir kısa devre veya elektrik çarpmasına neden olabilir. AC güç kablosuna veya bağlantı kablosuna takılırsanız TV Sehпасı devrilebilir ve yaralanmaya yol açabilir.

TV'yi monte etmeden önce montaj yerine ve TV Sehпасının montaj yerine karar verin.

TV ağır olduğundan montaj yerine önceden karar vermeniz ve TV Sehпасının parçalarını yerinde birleştirmeniz tavsiye edilir.

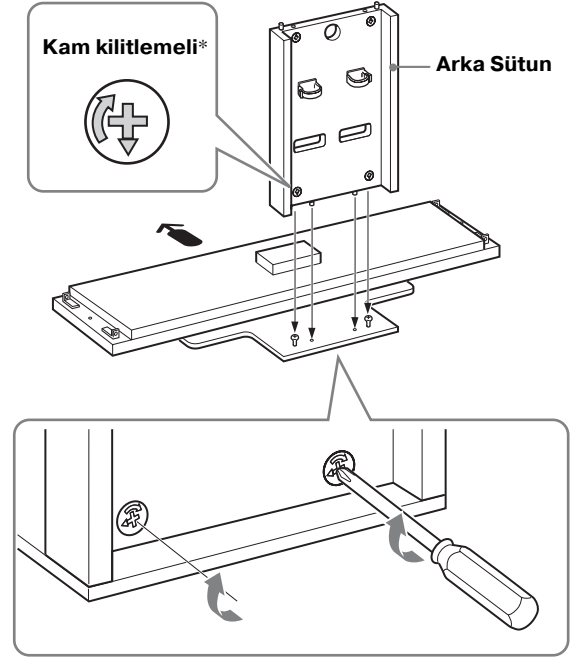
1 Arka Sütunu Taban Panosuna takın.

- 1 Ürünle birlikte verilen iki Kam kilitlemeli vidayı Taban Panosuna takıp sıkın.



← Ok yönü TV Sehпасının önünü göstermektedir.

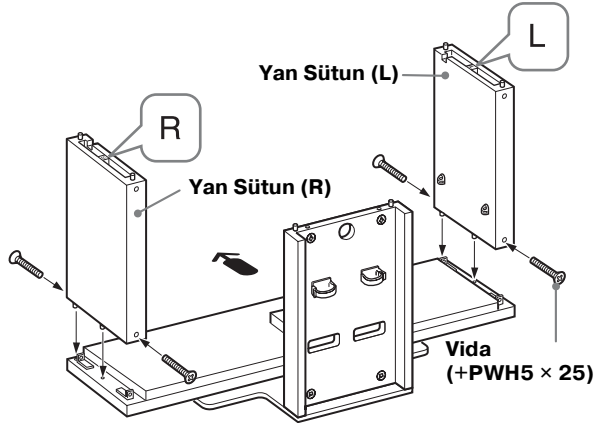
- 2 Arka Sütunu Taban Panosuna takın ve bir tornavidayla iki Kam kilitlemeliyi sabitleyin.



* Arka Sütunu takmadan önce ∇ işaret noktalarının aşağı doğru olduğundan emin olun.

2 Arka Sütunları Taban Panosuna takın.

Yan Sütunları ve Taban Panosunu ürünle birlikte verilen dört vidayla (+PWH5 × 25) sabitleyin.

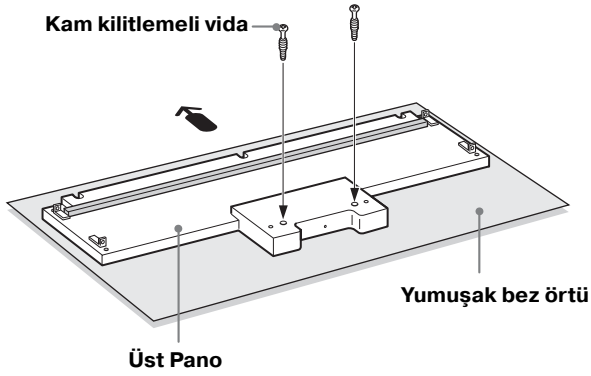


Not

Sol ve sağ sütunlar arasında fark vardır. Her bir sütunu doğru tarafa taktığınızdan emin olun.

3 Üst Panoyu takın.

- 1 Ürünle birlikte verilen iki Kam kilitlemeli vidayı Üst Panoya takıp sıkın.

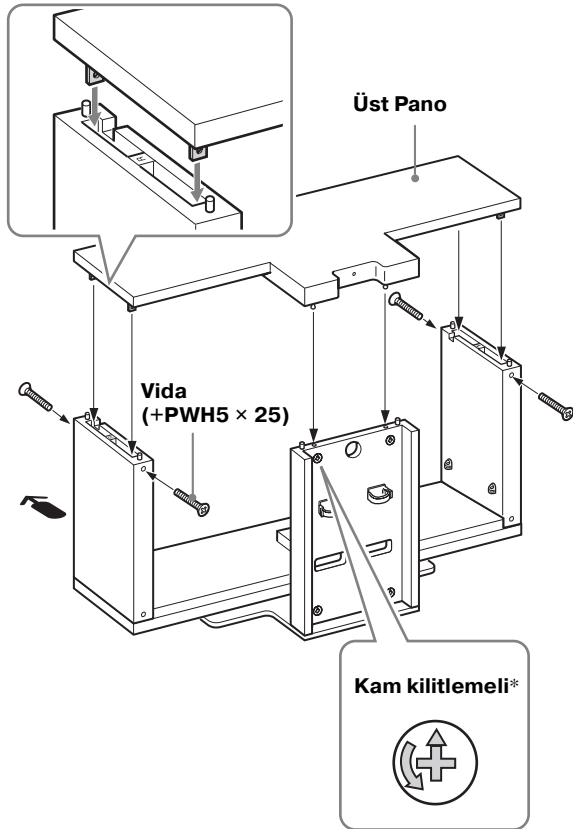


Yukarıdaki şekilde örnek olarak SU-FL300M gösterilmiştir. SU-FL300L için Üst Panoda iki destekleme çubuğu mevcuttur.

Not

Üst Panonun parlak yüzeyinin hasar görmesini engellemek için çalışma yüzeyinin temiz olduğundan emin olun ve üzerine yumuşak bir bez örtü serin.

- 2 Üst Panonun her iki tarafındaki sabitleme bağlantı parçalarını Yan Sütunlara hizalayın ve geçirin.
- 3 Yan Sütunları ürünle birlikte verilen dört vidayla (+PWH5 × 25) sabitleyin. Arka Sütunun arka tarafına kalan iki Kam kilitlemeliyi sabitleyin.



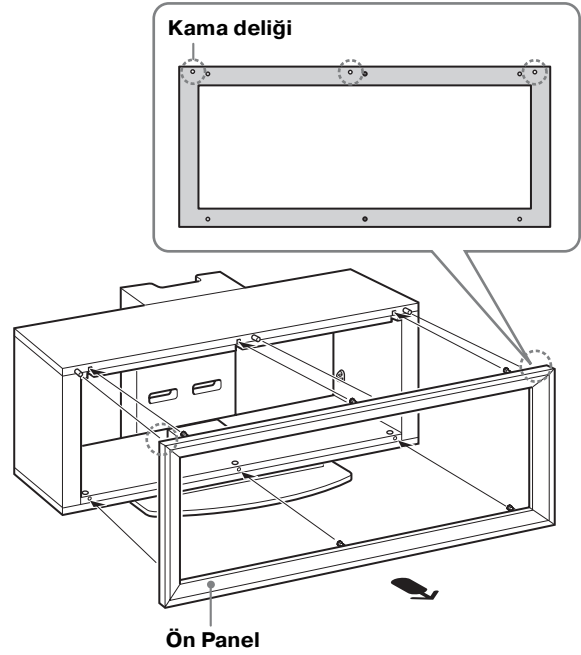
* Üst Panoyu takmadan önce Δ işaret noktalarının yukarı doğru olduğundan emin olun.

Not

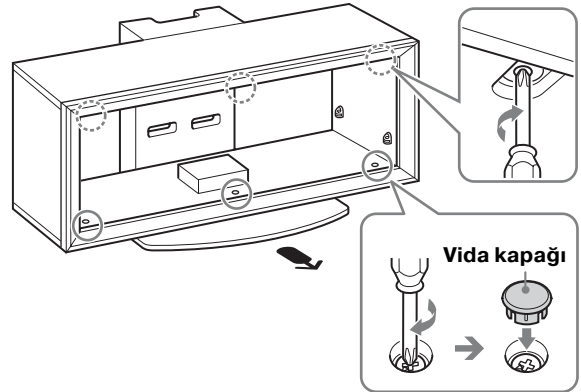
Üst Panoyu takarken parmaklarınızı sıkıştırmamaya dikkat edin.

4 Ön Paneli TV Sehпасına takın.

- 1 Ön Panelin üç deliği ile TV Sehпасının üç kamasını hizalayın.



- 2 Üst ve Taban Panolarındaki altı Kam kilitlemeli vidayı Ön Paneli sabitlemek için saat yönünde döndürün. Sonra, ürünle birlikte verilen üç vida kapağını üç alt taraf vidasına takın.



Not

Ön Paneli doğru yönde taktığınızdan emin olun.

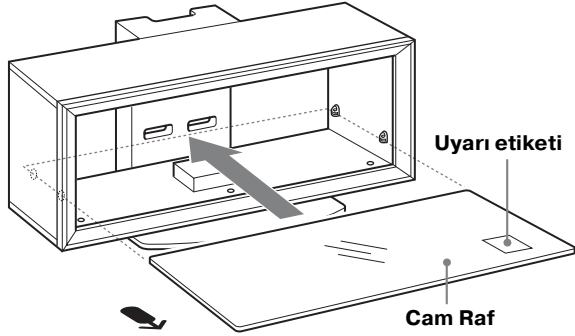
(Devamı)

7 (TR)

5 Cam Rafı takın.

Home Theatre Sistemi'ni Sehpa'ya yerleştirirken, öncelikle Hoparlör Askı Yeri'ni takın. (Sayfa 12'deki "Orta Hoparlörü Kurma (Yalnızca Home Theatre Sistemleri için)" konusuna bakın.)

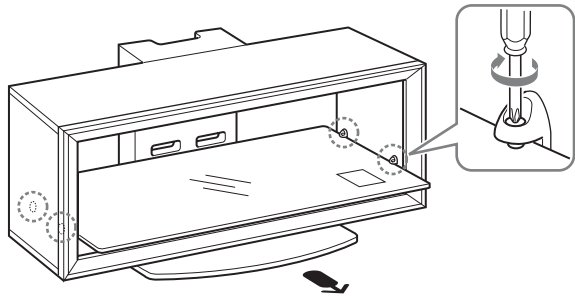
- 1 Arka Sütunla temas edene kadar Cam Rafı tam olarak sokun.



Not

Cam Rafı şekilde gösterildiği gibi Uyarı Etiketini ön sağda yukarı bakacak şekilde TV Sehpasına takın.

- 2 Cam Rafı ve TV Sehpasını sabitlemek için Yan Sütunlardaki dört vidayı sıkıştırın.



Adım 3: TV'yi monte etmeye hazırlanma

1 Üst Panoya manşonları takın.

Manşonları ürünle birlikte verilen iki vidayla (+K4 × 20) takın.

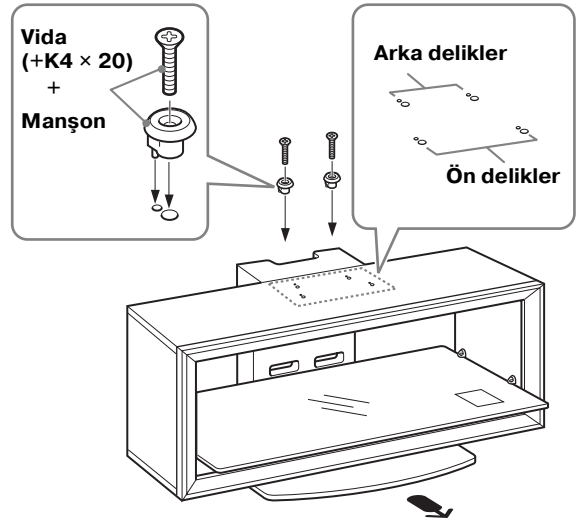
Sayfa 2'de belirtilmeyen modeller için:
Ön delikleri kullanın.

Sayfa 2'de belirtilen modeller için:
Döner tip modeller* için arka delikleri kullanın;
dönmeyen tip modeller için ön delikleri kullanın.

Not

TV'nizin dönüp dönmediğini öğrenmek için TV'nizin kullanım talimatlarına bakın.

* Dönme işlevi TV'nin görüş açısını ayarlamaya izin verir (sol ve sağ).



2 Ürünle birlikte verilen şablonu Üst Panoya yapıştırın.

- 1 Ürünle birlikte verilen kağıt şablonu seçin ve Üst Panonun sağ köşesiyle kağıt şablonun sağ köşesinin kenarlarını hizalayın.

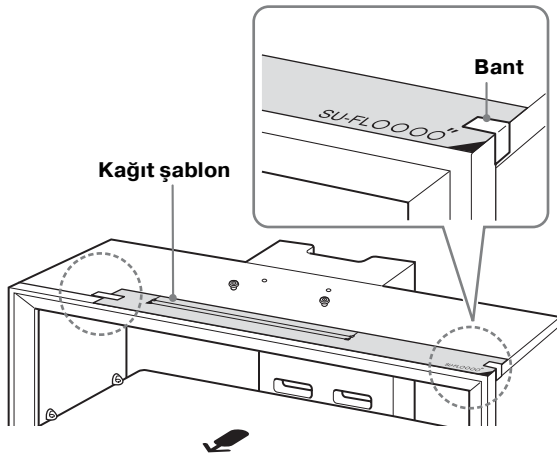
Sayfa 2'de belirtilmeyen modeller için:

TV'nizle verilen kitapçığa bakıp TV'nize uygun kağıt şablonu seçtiğinizden emin olun.

Sayfa 2'de belirtilen modeller için:

TV'nizin ekran boyutuna uygun siyah baskılı kağıt şablonu seçin.

- 2 Ürünle birlikte verilen bantla kağıt şablonu Üst Panoya bantlayın.



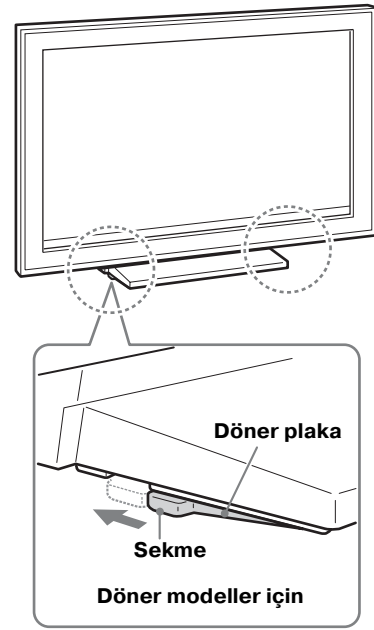
Adım 4: TV'yi Monte Etme

Henüz monte edilmemişse, TV'nizi Sehpa Üstü Standa monte edin.

Yalnızca sayfa 2'de belirtilen döner tip modelleri için, 4. adımın 1. bölümündeki işlemi yapın.

1 Döner plakanın konumunu ortaya ayarlayın (Döner modeller için).

TV'yi monte etmeden önce, Sehpa Üstü Standdaki çentikle döner plakanın çıkıntısını hizalayın.

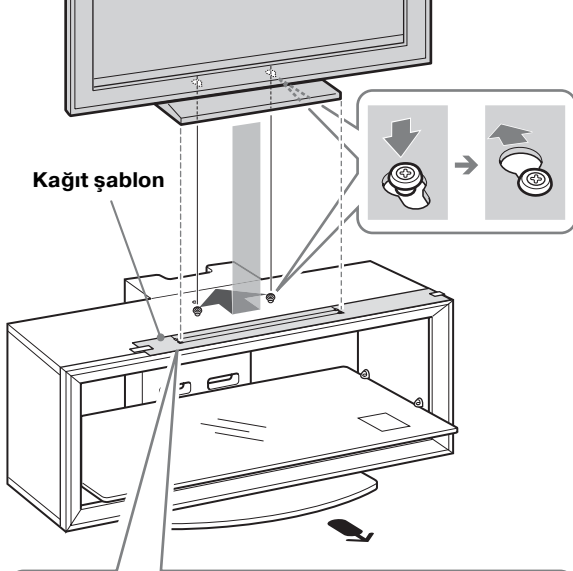


UYARI

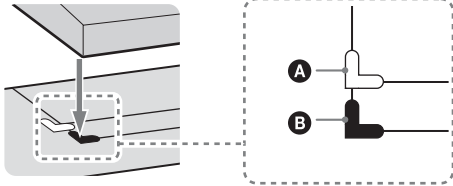
Döner plaka doğru şekilde ayarlanmazsa TV güvenli şekilde monte edilmemiş olur ve düşebilir.

2 TV Sehпасına TV'yi monte edin.

3. adımın 1. bölümünde takılmış olan manşonlara Sehpa Üstü Standın altındaki deliklerin hizalanacağı şekilde Sehpa Üstü Standın kenarını, TV ekran boyutunun kenarları ve kağıt şablondaki köşe işaretleriyle eşleştirin.
- Yerine kilitlemesi için TV'yi geriye kaydırın.
- Üst Panodan kağıt şablonu çıkarın.



Yalnızca sayfa 2'de belirtilen döner modeller için



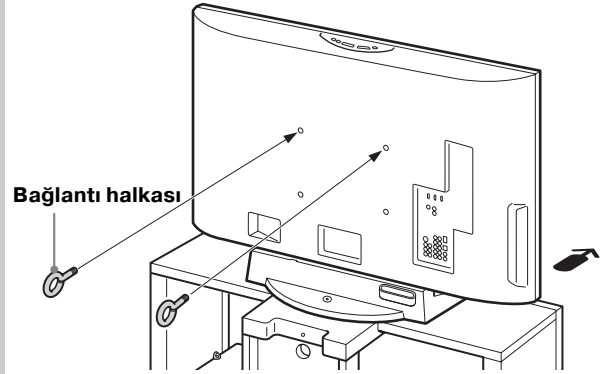
- A Beyaz köşe işareti döner modeller içindir.
- B Siyah köşe işareti dönmeyen modeller içindir.

Not

37/40 inç kullanıcıları için, TV döner tip modeli olsun veya olmasın, Sehpa Üstü Standı siyah köşe işaretiyle hizalayın. (37/40 inç için kağıt şablonunda beyaz köşe işareti yoktur.)

3 Bağlantı halkalarını takın.

Ürünle birlikte verilen iki bağlantı halkasını TV'nin arkasına sabitleyin.



Not

TV'yi sabitlemek için iki bağlantı halkası kullanılmazsa düşebilir ve yaralanmaya yol açabilir.

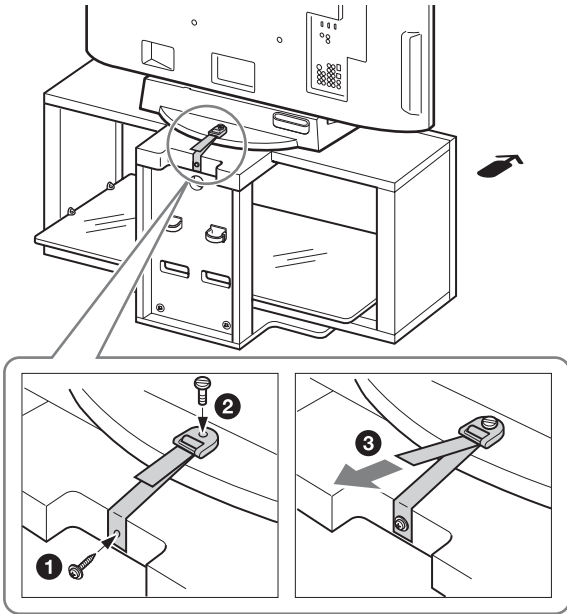
Adım 5: Devrilmeyi önlemek için gerekli güvenlik önlemleri

UYARI

TV Sehpasının devrilmesini ve olası yaralanma ve hasara yol açmasını engellemek için gerekli önlemlerin alındığından emin olun.

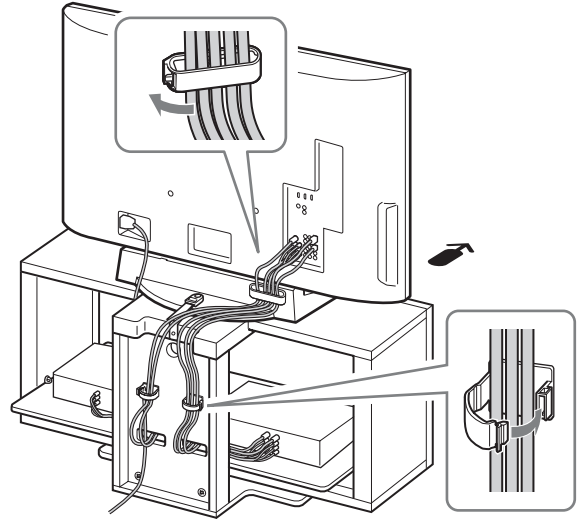
1 Destek kayışını takın.

- 1 Tornavidayı kullanarak destek kayışını ahşap vidasıyla TV Sehpasına vidalayın.
- 2 Destek kayışını Sehpa Üstü Standa takın ve kayışı bir madeni para vb. kullanarak sabitleme vidasıyla vidalayın.
- 3 Sehpa Üstü Standı tutarken destek kayışını sıkıştırarak uzunluğu ayarlayın.



2 Kabloları bağlayın.

Kabloları kablo tutucularından ve Arka Sütun deliklerinden geçirin.



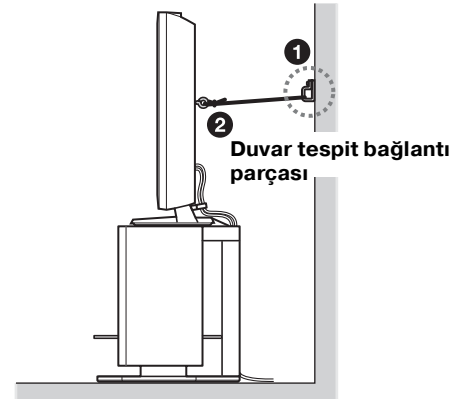
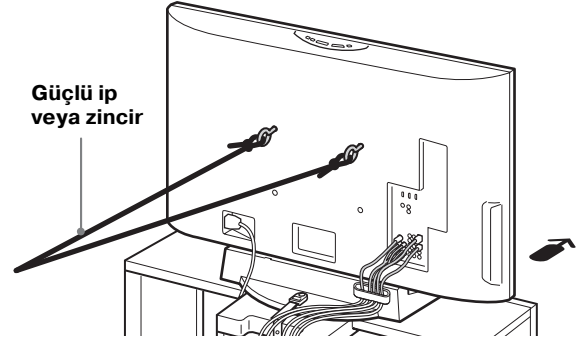
Not

Kablolar uygun şekilde kurulmazsa ezilebilir ve hasar görebilirler ve elektrik çarpmasına vb. neden olabilirler.

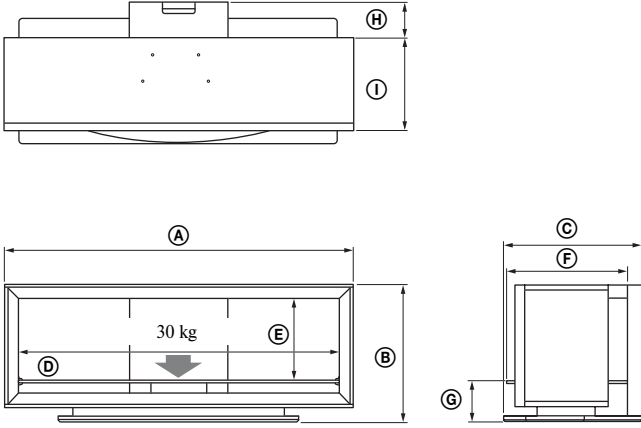
3 TV'yi duvara bağlayın.

Bu amaçla piyasada satılan sağlam bir ip veya zincir ve duvar tespit bağlantı parçası hazırlayın.

- 1 Duvar tespit bağlantı parçasını sağlam bir duvara sabitleyin.
- 2 İpi veya zinciri bağlantı halkalarının iki deliğinden geçirin ve sonra ipin veya zincirin diğer ucunu duvar tespit noktası bağlantı parçasına gerdiren.



Teknik Özellikler



Taşıma kapasitesine dikkat edin

Kırılacağından ve yaralanmaya yol açabileceğinden maksimum ağırlığı aşan herhangi bir donanımı Cam Rafın üzerine yerleştirmeyin.

		SU-FL300M	SU-FL300L
Boyutlar: mm	Ⓐ	1.035	1.280
	Ⓑ	503	503
	Ⓒ	485	518
	Ⓓ	895	1.140
	Ⓔ	303	303
	Ⓕ	418	468
	Ⓖ	146	146
	Ⓗ	120	130
	Ⓘ	272	340
Ağırlık:		35 kg	52 kg

Tasarım ve teknik özellikler haber verilmeksizin değiştirilebilir.

Orta Hoparlörü Kurma (Yalnızca Home Theatre Sistemleri için)

Orta Hoparlör modeli SS-CT71/CNP2200, aşağıdaki Home Theatre Sistemi modelleri içindir:

DAV-HDX665	HT-SF2000
DAV-HDX466	HT-SF1200
DAV-HDX465	HT-SF1100
DAV-HDX267W	DAV-DZ750K
DAV-HDX266	DAV-DZ630
DAV-HDX265	DAV-DZ556KB
DAV-HDZ235	DAV-DZ555K
	DAV-DZ555M
	DAV-DZ530
	DAV-DZ250KW
	DAV-DZ250K
	DAV-DZ250M
	DAV-DZ231
	DAV-DZ230
	DAV-DZ151KB
	DAV-DZ150K

Orta Hoparlör modeli SS-CT72/CT74, aşağıdaki Home Theatre Sistemi modelleri içindir:

DAV-HDX900W	DAV-DZ1000
DAV-HDX501W	DAV-DZ850KW
DAV-HDX500	DAV-DZ850M
	DAV-DZ830W
	DAV-DZ531W

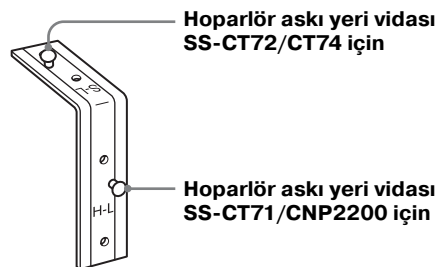
Notlar

- Yukarıdaki ürünler bildirimde bulunmadan değiştirilebilir, stokta olmayabilir veya sona erdirilmiş olabilir.
- Belirli modeller belirli bölgelerde mevcut olmayabilir.

Hoparlör Askı Yerini takmadan önce:

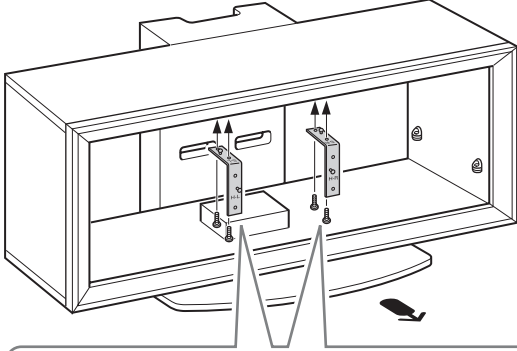
SS-CT71/CNP2200 için H-L/H-R işaretleri öne gelmelidir. (H-L sol taraf içindir, H-R sağ taraf içindir.)

SS-CT72/CT74 için S-L/S-R işaretleri öne gelmelidir. (S-L sol taraf içindir, S-R sağ taraf içindir.)

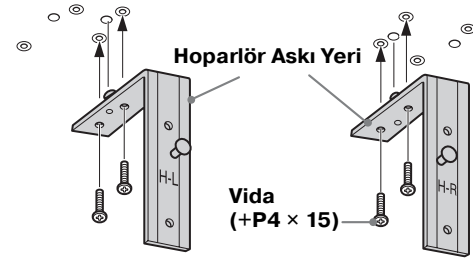


1 Hoparlör Askı Yerini takın.

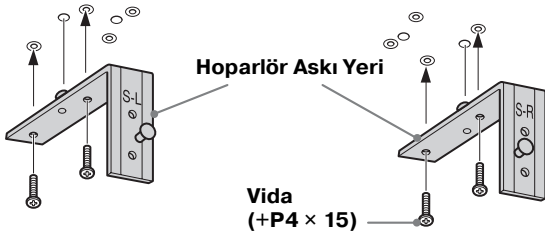
Her bir Hoparlör Askı Yerini ürünle birlikte verilen vidalarla (+P4 × 15) (sol/sağ olmak üzere her biri için iki vida) Üst Panonun alt tarafına sabitleyin.



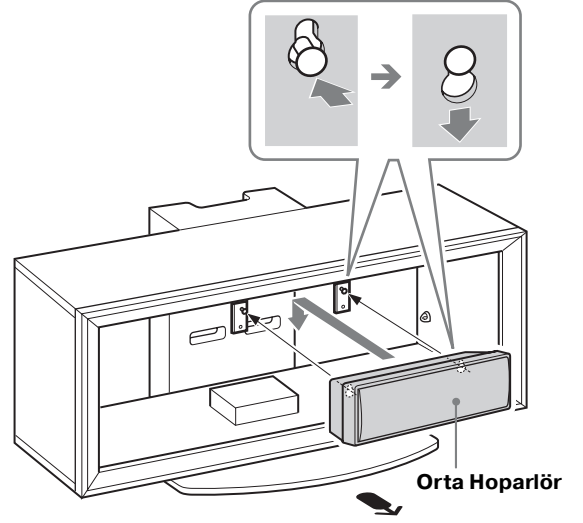
Orta Hoparlör: SS-CT71/CNP2200



Orta Hoparlör: SS-CT72/CT74



2 Orta Hoparlörü askı yeri vidalarına gösterildiği şekilde asın.



感謝您購買本產品。

致用戶

本產品應由兩名或兩名以上的合格 Sony 服務人員在符合安全和技術的情況下進行安裝。

警告

若不遵守安全事項或誤用本產品，可能會導致嚴重的傷害或造成火災。

本指示手冊說明預防意外發生的正確產品操作方式和重要的注意事項。請務必詳細閱讀本手冊並正確使用本產品。請保留本手冊以備日後參考。

致 Sony 經銷商

安裝電視時需要兩名或兩名以上的人員，並特別注意安全及技術問題。安裝電視機時，請詳細參考本手冊。Sony 對於不正確地安裝或操作所導致的意外或損壞概不負責。安裝完畢後，請將本手冊交付顧客。

安全事項

Sony 的產品設計以安全為優先。不正確的使用可能會因為火災、電擊、產品翻覆或產品掉落而造成嚴重的傷害。請務必依照安全注意事項以避免類似意外發生。

注意事項

指定產品

以下產品若有變更，恕不另行通知。某些機型可能缺貨或斷貨，或者無法在某些區域購買得到。

	液晶彩色電視	
SU-FL300M	KDL-46W3500	KDL-40D2600
	KDL-46W3100	KLV-40W300A
	KDL-46W3000	KLV-40V300A
	KDL-46V3100	KLV-40D300A
	KDL-46V3000	KDL-37S3100
	KDL-46VL130	KLV-37S310A
	KDL-46S3000	KDL-32XBR4
	KDL-46D3550	KDL-32V3100
	KDL-46D3500	KDL-32T3000
	KDL-46D3100	KDL-32T2800
	KDL-46D3010	KDL-32T2600
	KDL-46D3000	KDL-32S3100
	KLV-46W300A	KDL-32S3000
	KLV-46V300A	KDL-32SL130
	KLV-46D300A	KDL-32D3100
	KDL-40W3500	KDL-32D3010
	KDL-40W3100	KDL-32D3000
	KDL-40W3000	KDL-32D2810
	KDL-40V3100	KDL-32D2710
	KDL-40V3000	KDL-32D2600
	KDL-40VL130	KLV-32V300A
	KDL-40T3000	KLV-32S310A
	KDL-40T2800	KLV-32D300A
	KDL-40T2600	
	KDL-40S3000	
	KDL-40SL130	
	KDL-40D3550	
	KDL-40D3500	
	KDL-40D3100	
	KDL-40D3010	
	KDL-40D3000	
	KDL-40D2810	
KDL-40D2710		
SU-FL300L	KDL-52W3000	
	KDL-52WL130	
	KDL-46W3000	
	KDL-46V3000	
	KDL-46VL130	
	KDL-46S3000	

本電視底座適用以上指定的產品。其他電視型號，請參考其隨附的操作指示以確定是否可使用本電視底座。有些電視型號隨附說明，解釋如何安裝電視底座。

警告

若不遵守以下注意事項，可能會因為火災、電擊或產品翻覆而造成嚴重的傷害或死亡。

本產品僅能由合格 Sony 服務人員進行安裝。

電視及電視底座沉重；由其他不合格的人員進行安裝可能會導致嚴重的傷害。

請務必採取預防措施，以避免電視底座翻覆。

若您未能採取措施，則電視機可能會翻覆並造成傷害。請將電視固定在牆壁等上以避免翻覆。

請務必將電視底座安裝在堅固和平坦的地板上。

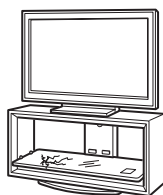
請勿將電視底座安裝在傾斜面上。若您將電視底座安裝在該處，則可能會造成電視底座翻覆或電視掉落。因而造成傷害或損壞。

若您要將電視底座安裝在墊子或地毯等柔軟表面上，請在該處上放置隔板。

請勿使用有龜裂的電視底座。

請勿使用有任何龜裂的電視底座。玻璃可能破裂並導致電視翻覆，因而造成傷害或損壞。

龜裂的電視底座



請勿倚靠或懸掛在電視上。

可能會導致電視底座翻覆或電視掉落，因而造成嚴重的傷害或死亡。



請勿讓孩童攀爬電視底座或在電視底座的隔層內嬉戲。

若孩童攀爬電視底座或進入底座隔層內，可能會因為玻璃碎裂或電視底座和電視翻覆而導致嚴重的傷害或死亡。



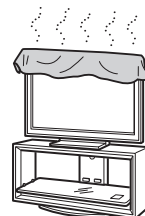
請勿站在電視底座上。

您可能會因為摔倒、或是弄破玻璃而造成傷害。



請勿覆蓋電視的通風口。

若您覆蓋通風口（用布等類似物品），溫度將會在內部累積升高而導致火災發生。



請勿讓主線路或連接線被其他物體夾住。

- 安裝電視到電視底座上時，請勿讓主線路或是連接線被其他物體夾住。若主線路或是連接線損壞，可能會造成火災或電擊。
- 搬運電視底座時，請勿踩踏主線路或是連接線。主線路或是連接線損壞時，可能會造成火災或電擊。



請勿在仍連接電視或內部裝備時移動電視底座。

若您在電視仍連接時移動電視底座，可能會弄傷背部，或因為電視底座翻覆而造成嚴重傷害。此外，任何連接的內部裝備可能會掉落而導致玻璃架破裂或其他的損壞。



注意事項

若未能遵守以下注意事項，可能會造成傷害或財產損失。

請勿安裝任何其他非指定產品的裝備。

- 本電視底座只適用指定的產品。若您安裝其他非指定的產品，可能會發生掉落或碎裂因而造成傷害。
- 請勿將花瓶、瓷器等物品放置在電視底座上。
- 請勿改裝電視底座。
- 請勿將任何熱的物品直接放置在電視底座上。因為該熱源可能會引起電視底座褪色或變形。
- 請勿將任何可能會損壞玻璃的物品直接放置在電視底座上。

請務必固定電視。

請使用隨附的吊架螺絲將電視固定在電視底座上。若未能牢固地安裝電視，則可能會發生電視底座翻覆、電視掉落因而造成傷害。

請勿在玻璃上施加重力或任何重擊。

安裝電視時，請勿用手在電視底座上施加重力。請勿用任何堅硬的物品敲打電視底座，例如螺絲起子等。玻璃可能會碎裂並造成傷害。

搬移電視底座時

試著單獨或者未按正確方法移動電視底座可能會造成傷害。要避免傷害，請務必遵守以下的建議。

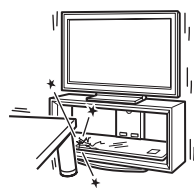
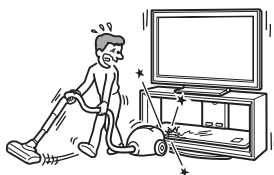
- 務必要有兩人或以上才能搬移電視底座，並要先移開電視和拔除連接的裝備和玻璃架。
- 請勿拖移電視底座。電視底座的底部可能會脫落並損壞地板。
- 請小心不要讓您的手或腳被電視底座的底部夾住。
- 搬移電視底座時，請勿抓住玻璃架的部分。

請勿讓玻璃遭受劇烈震動。

本電視底座雖由強化玻璃製成，但仍需小心。

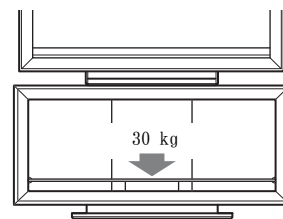
若玻璃破裂，則玻璃碎片可能會造成傷害，因此請遵守以下的注意事項。

- 請勿敲打玻璃或將尖銳的物品丟放在玻璃上。請避免劇烈震動。
- 請勿用尖銳的物品刮傷或戳刺玻璃。
- 請勿讓吸塵器等堅硬的物品敲擊玻璃邊緣。



承載重量的注意事項

請勿將任何超過標示重量上限的裝備放置在玻璃架上，如圖所示。否則，玻璃架會破裂。



安裝注意事項

- 組裝時，請將包裝材質鋪在地板上以避免造成損壞。
- 請將電視底座安裝在堅固和平坦的樓面上。請勿將電視底座安裝在傾斜處。要避免該情況，請依照以下注意事項。
 - 請勿將電視底座安裝在陽光直射或靠近暖氣的地方。
 - 請勿將電視底座安裝在過熱、潮濕處或戶外。

使用注意事項

要保持電視底座清潔，請常用乾的軟布擦拭。可使用中性肥皂蘸濕的布擦拭，來移除頑垢。請務必用乾的軟布擦乾該區域。請勿使用稀釋劑或汽油等化學品，以免損壞電視底座的塗層。

致 Sony 經銷商

請務必徹底閱讀前文的安全注意事項，並在安裝、保養、檢查和維修本產品時特別注意安全。

請務必由兩名或以上的人員進行安裝工作。

請務必由兩名或以上的人員將電視安裝在電視底座上。若只由一名人員進行安裝，可能會導致意外或傷害。進行安裝時，請務必讓孩童保持距離。

請務必依照指示正確地進行組裝。

若螺絲沒有鎖緊或鬆脫，可能造成電視底座翻覆。因而造成損壞或傷害。



組裝時，請務必小心，以避免您的手或手指受傷。

組裝電視底座或安裝電視時，請務必小心，以免您的手指或手夾傷。

請務必依照指示牢固地安裝電視。

請將螺絲牢固鎖緊。若電視沒有安裝牢固，可能會掉落因而造成傷害。

步驟 1： 檢查零件

名稱	數量
頂板	1
底板	1
側柱 (L) *1	1
側柱 (R) *1	1
後柱	1
前板	1
玻璃架	1
螺絲 (+PWH5 × 25)	a*4 8
螺絲 (+K4 × 20) + 套管	b*4 2
凸輪鎖螺絲	c*4 4
螺絲 (+P4 × 15)	d*4 4
吊架螺栓	e*4 2
螺絲帽	f*4 3
支撐帶	g*4 1
螺絲 (M6 × 18)	
木螺絲 (M3.8 × 20)	
揚聲器掛鉤 (L)	1
揚聲器掛鉤 (R)	1
紙模板	4*2 3*3
膠布	1

*1 上圖為 SU-FL300M。不同於 SU-FL300L。SU-FL300L 的側柱兩邊有兩個開關零件。

*2 SU-FL300M 提供四個紙模板。

*3 SU-FL300L 提供三個紙模板。

*4 零件袋分別用字母標註。

請務必使用十字螺絲起子，以符合上述螺絲的尺寸進行組裝。

步驟 2： 組裝電視底座

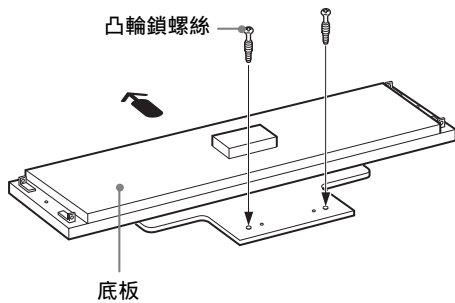
警告

若您讓主線路夾在裝備間或壓在裝備下，可能會造成短路或電擊。若您絆到主線路或連接線，電視底座可能會翻覆並造成傷害。

安裝電視前，請先決定好安裝位置並將電視底座放好。因為電視沉重，建議您先決定好安裝位置，然後在現場組裝電視底座。

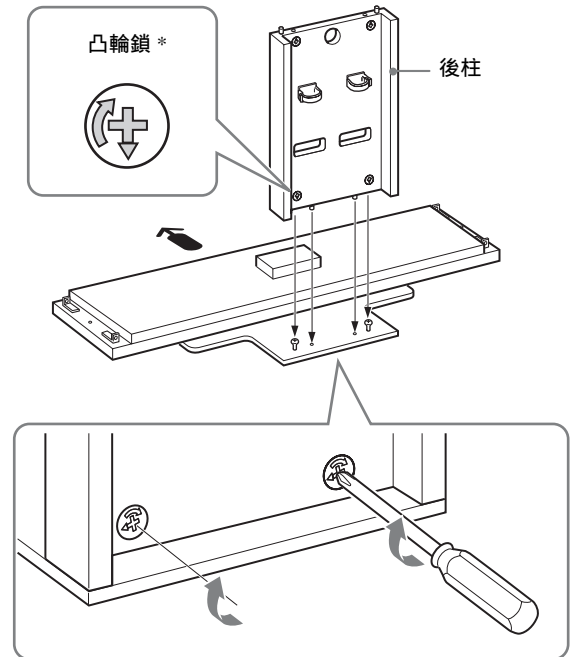
1 將後柱安裝到底板上。

- 將兩個隨附的凸輪鎖螺絲鎖緊在底板上。



← 箭頭方向表示電視底座的前方。

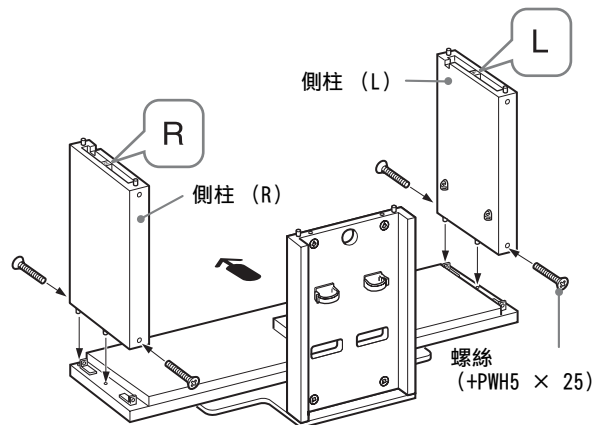
- 將後柱安裝到底板上，用螺絲起子將兩個凸輪鎖鎖緊。



* 安裝後柱前，確保▽標記朝下。

2 將側柱安裝到底板上。

用四個隨附的螺絲鎖緊側柱和底板
(+PWH5 × 25)。

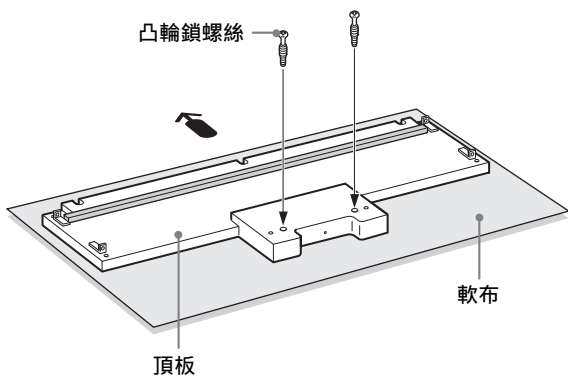


注意

左側柱和右側柱之間有不同之處。
請務必將每個側柱安裝在正確的一側。

3 安裝頂板。

- 1 將兩個隨附的凸輪鎖螺絲鎖緊在頂板上。

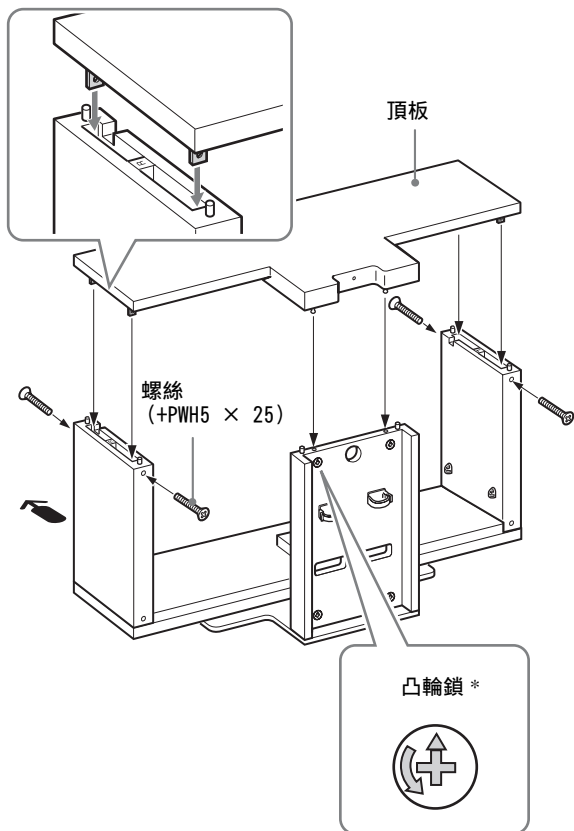


上圖所示的範例為 SU-FL300M。SU-FL300L 的頂板有兩條鋼筋。

注意

為了避免損壞頂板的光滑表面，請務必清潔工作台，並在工作台上放置軟布。

- 2 對齊後，將頂板兩側的固定托架插入側柱。
- 3 用四個隨附的螺絲鎖緊側柱 (+PWH5 × 25)。然後將剩下的兩個凸輪鎖鎖緊在後柱的後側上。



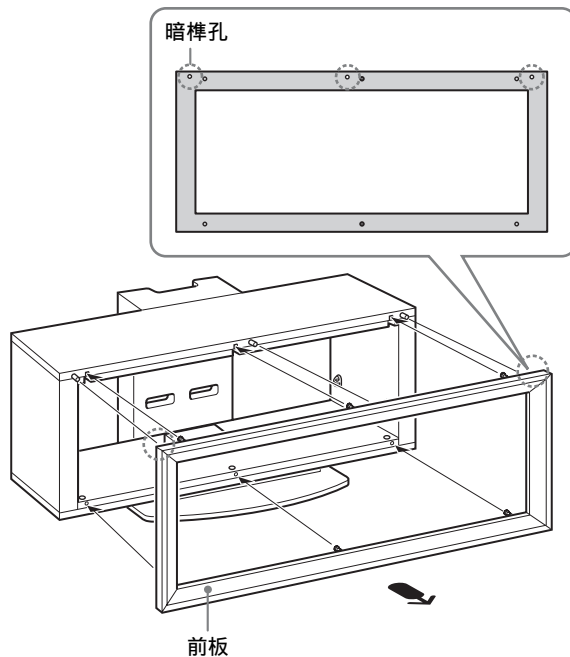
* 安裝頂板前，確保 Δ 標記朝上。

注意

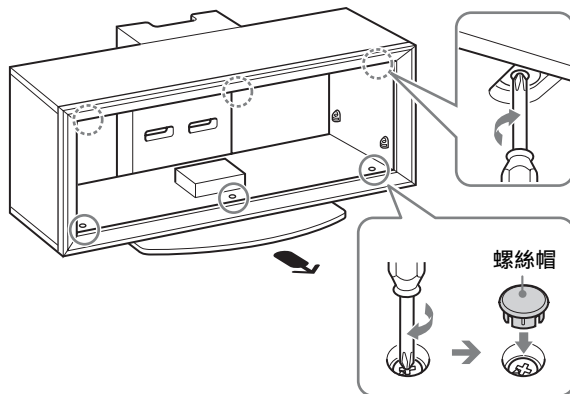
安裝頂板時，請務必小心，以避免手指夾傷。

4 安裝前板到電視底座上。

- 1 對準電視底座的三個暗樁和前板的三個孔。



- 2 依順時鐘方向旋轉在頂板和底板上的六個凸輪鎖螺絲，以固定前板。然後將三個隨附的螺絲帽安裝到底部的三個螺絲上。



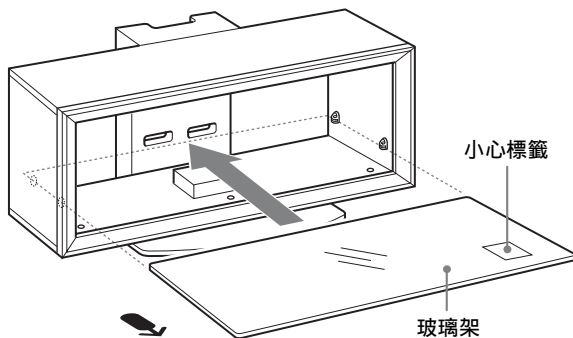
注意

請務必依正確方向安裝前板。

5 安裝玻璃架。

如果將家庭劇院系統安裝在底座上，則先要安裝揚聲器掛鉤。（請參閱第 11 頁“安裝中置揚聲器（僅限家庭劇院系統）”。）

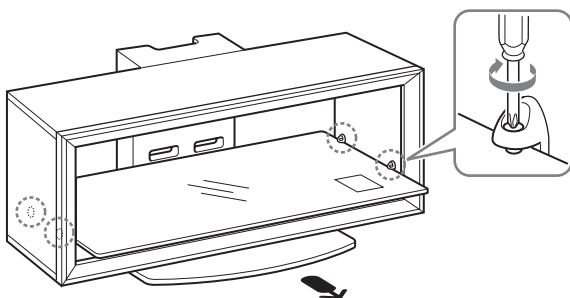
- 1 將玻璃架完全插入，直至碰觸到後柱。



注意

將玻璃架安裝到電視底座時，請讓小心標籤位於右前方，如圖所示。

- 2 鎖緊側柱上的四個螺絲，以固定玻璃架和電視底座。



步驟 3： 準備安裝電視

1 將套管安裝到頂板上。

用隨附的螺絲（+K4 × 20）安裝套管。

若是非第 2 頁指定的機型：

請使用前方的孔。

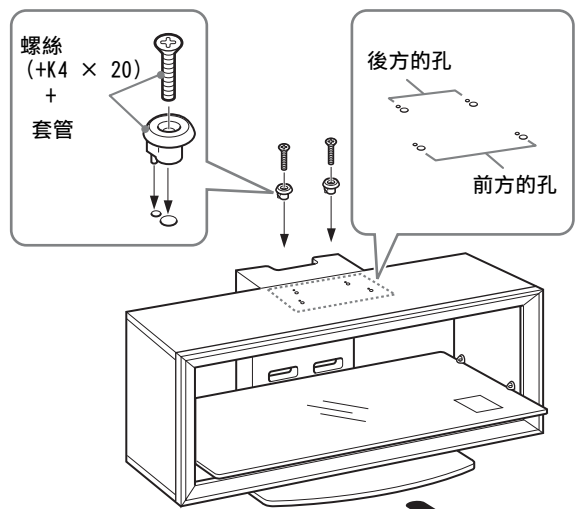
若是第 2 頁指定的機型：

若是旋轉類型機型*，請使用後方的孔；若是非旋轉類型機型，請使用前方的孔。

注意

檢查電視的操作指示以確定電視是否可以旋轉。

* 旋轉功能讓您可以調整電視的觀賞角度（左和右）。



2 將隨附的紙模板貼在頂板上。

- 1 選擇隨附的紙模板，將紙模板的右角邊緣與頂板的右角對齊。

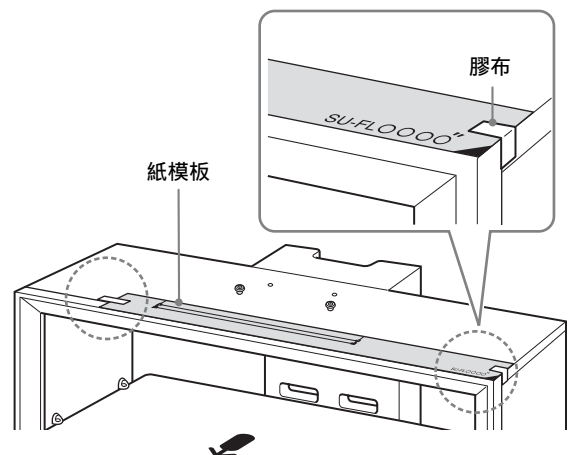
若是非第 2 頁指定的機型：

務必參閱電視隨附的操作指示，選擇符合電視的紙模板。

若是第 2 頁指定的機型：

選擇符合電視螢幕尺寸的黑色列印紙模板。

- 2 將紙模板用隨附的膠布貼在頂板上。

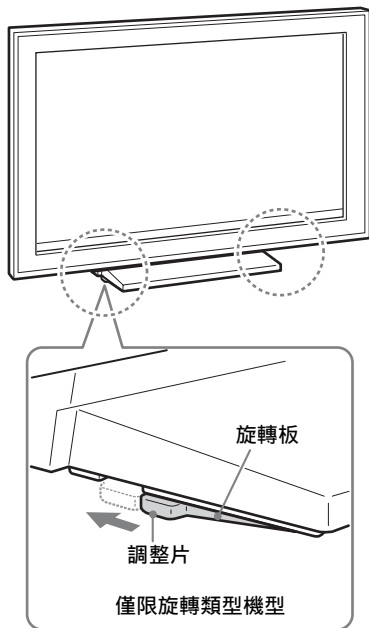


步驟 4： 安裝電視

若尚未將電視安裝到桌面底座上，請進行安裝。
僅限第 2 頁指定的旋轉類型機型，遵守步驟 4 的第 1 部分的步驟。

1 將旋轉板的位置調整到中央（僅限旋轉類型機型）。

安裝電視前，對齊旋轉板的調整片和桌面底座的凹口。

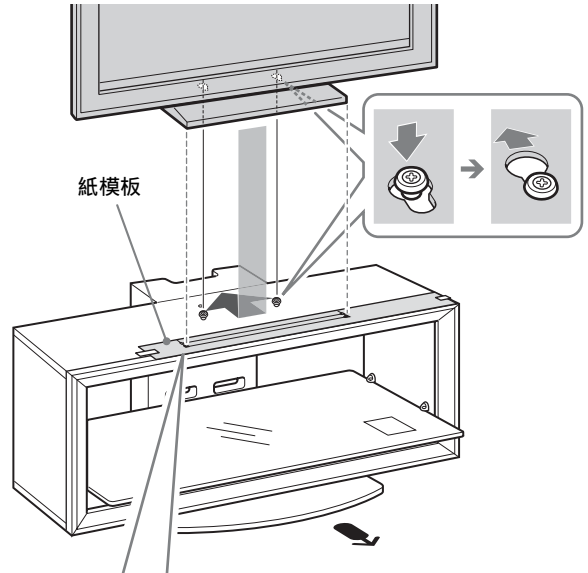


警告

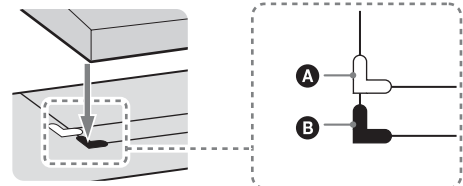
若沒有正確調整旋轉板，電視無法牢固安裝，可能會掉落。

2 將電視安裝到電視底座上。

- 1 將桌面底座的輪廓與電視螢幕尺寸的輪廓和紙模板上的板角標記配對，使桌面底座的底部孔能夠對齊在步驟 3 的第 1 部分就已安裝的套管。
- 2 將電視向後推，鎖住定位。
- 3 取下頂板上的紙模板。



僅限第 2 頁指定的旋轉類型機型



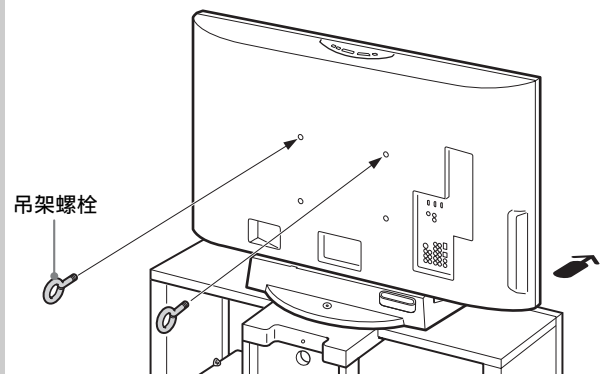
- A 白色板角標記適用於旋轉類型機型。
- B 黑色板角標記適用於非旋轉類型機型。

注意

對於 37/40 吋的使用者，不論電視是否是旋轉類型機型，對齊桌面底座和黑色板角標記。（37/40 吋的紙模板上沒有白色板角標記。）

3 安裝吊架螺栓。

在電視後方鎖緊兩個隨附的吊架螺栓。



注意

若未能使用兩個吊架螺栓穩固電視，電視可能會掉落而造成傷害。

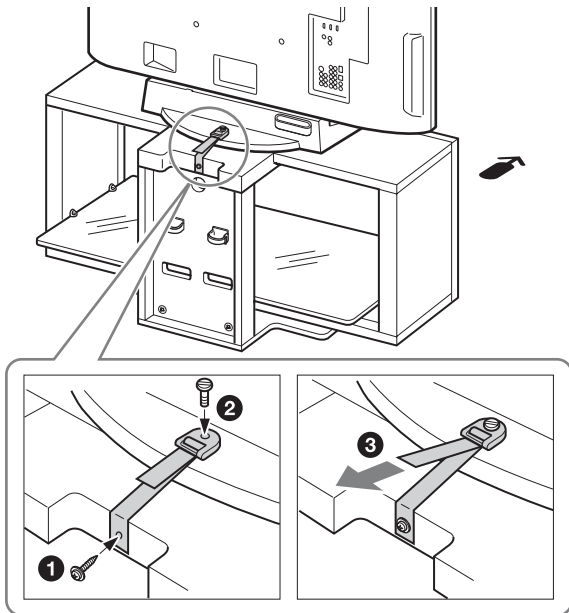
步驟 5： 請採取安全措施以避免翻覆

警告

請務必採取預防措施，以避免電視底座翻覆，造成可能的傷害或損壞。

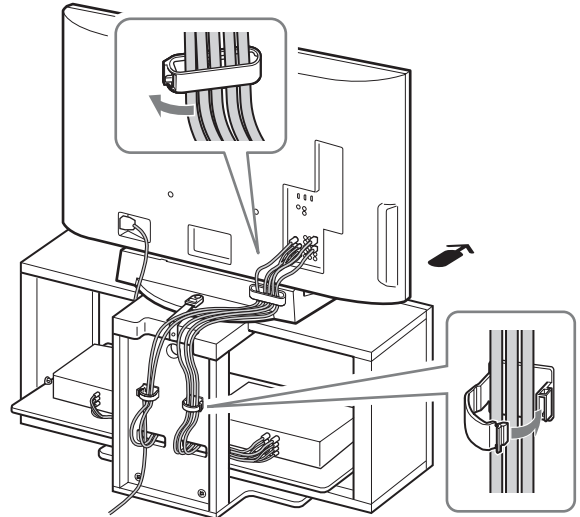
1 安裝支撐帶。

- 1 用螺絲起子鎖緊隨附的木螺絲，把支撐帶固定在電視底座上。
- 2 將支撐帶連接至桌面底座上，用硬幣等鎖緊隨附的螺絲，以固定支撐帶。
- 3 握住桌面底座時，鎖緊支撐帶以調整長度。



2 連接線路。

將線路穿過線路固定裝置和後柱孔。



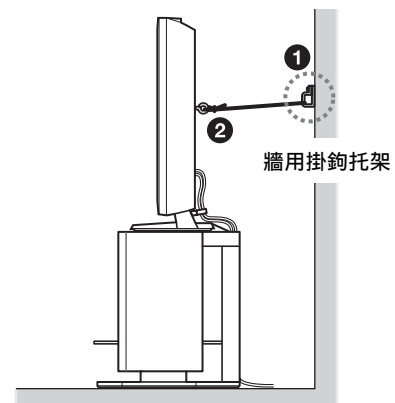
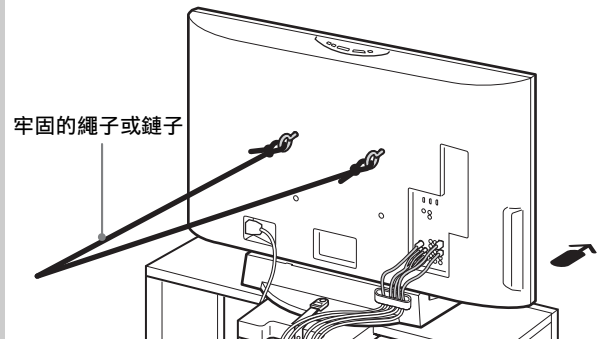
注意

如果線路未正確安裝，可能會受到擠壓和損壞，造成電擊等。

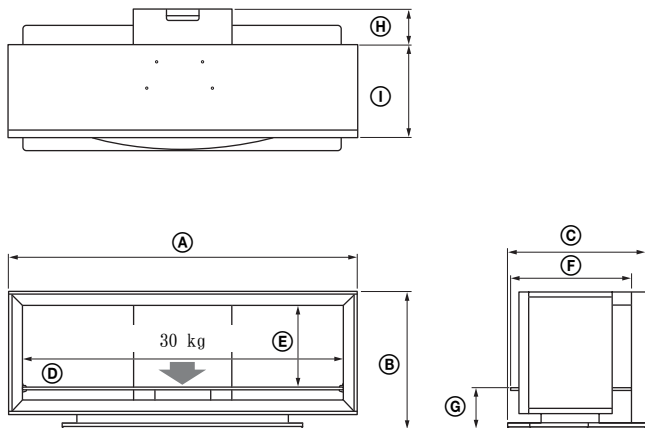
3 將電視固定在牆壁上。

請使用市面上可購得的牢固繩子或鏈子以及牆用掛鉤托架。

- 1 將牆用掛鉤托架牢固地安裝在牆上。
- 2 將繩子或鏈子穿過吊架螺栓的兩個孔，然後再將繩子或鏈子的另一端鎖緊到牆用掛鉤托架上。



規格



承載重量的注意事項

請勿將任何超過承重上限的裝備放置在玻璃架上，以免玻璃碎裂並造成傷害。

		SU-FL300M	SU-FL300L
尺寸: mm	Ⓐ	1035	1280
	Ⓑ	503	503
	Ⓒ	485	518
	Ⓓ	895	1140
	Ⓔ	303	303
	Ⓕ	418	468
	Ⓖ	146	146
	Ⓗ	120	130
	Ⓘ	272	340
重量:		35 kg	52 kg

設計和規格若有變更，恕不另行通知。

安裝中置揚聲器 (僅限家庭劇院系統)

中置揚聲器機型 SS-CT71/CNP2200 適合以下家庭劇院系統機型：

DAV-HDX665	HT-SF2000
DAV-HDX466	HT-SF1200
DAV-HDX465	HT-SF1100
DAV-HDX267W	DAV-DZ750K
DAV-HDX266	DAV-DZ630
DAV-HDX265	DAV-DZ556KB
DAV-HDZ235	DAV-DZ555K
	DAV-DZ555M
	DAV-DZ530
	DAV-DZ250KW
	DAV-DZ250K
	DAV-DZ250M
	DAV-DZ231
	DAV-DZ230
	DAV-DZ151KB
	DAV-DZ150K

中置揚聲器機型 SS-CT72/CT74 適合以下家庭劇院系統機型：

DAV-HDX900W	DAV-DZ1000
DAV-HDX501W	DAV-DZ850KW
DAV-HDX500	DAV-DZ850M
	DAV-DZ830W
	DAV-DZ531W

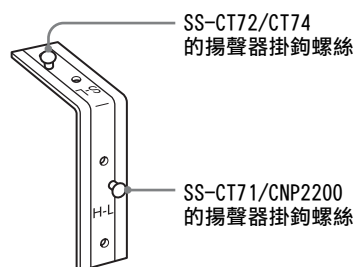
注意

- 上述產品若有變更，恕不另行通知，可能缺貨或停產。
- 某些機型可能無法在某些區域購買得到。

安裝揚聲器掛鉤前：

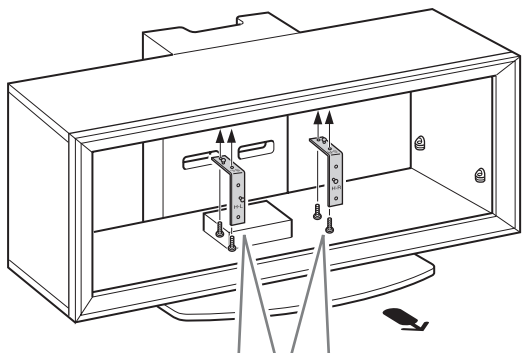
若使用 SS-CT71/CNP2200，H-L/H-R 標記必須面朝前方。（H-L 代表左邊，H-R 代表右邊。）

若使用 SS-CT72/CT74，S-L/S-R 標記必須面朝前方。（S-L 代表左邊，S-R 代表右邊。）

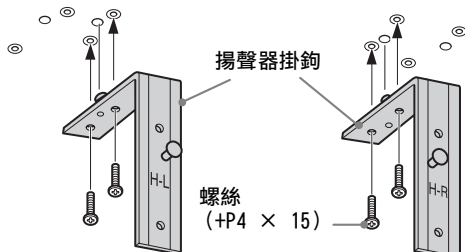


1 安裝揚聲器掛鉤。

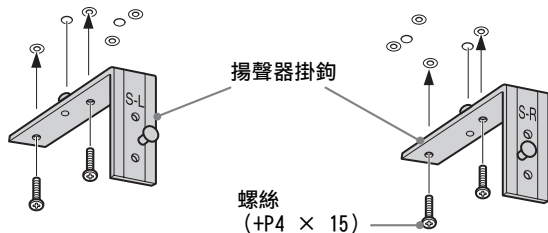
用隨附的螺絲 (+P4 × 15) (左 / 右方各兩個螺絲) 將每個揚聲器掛鉤固定在頂板的底部。



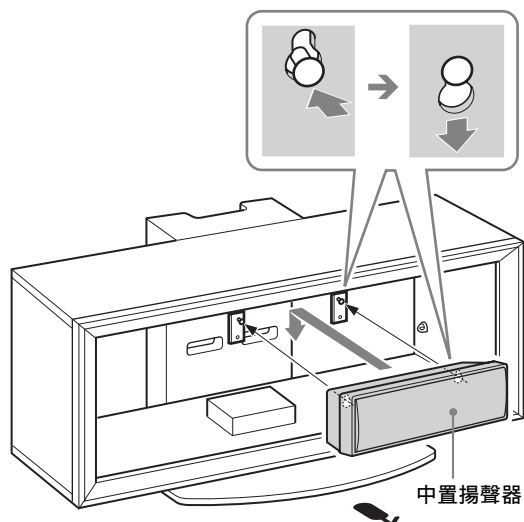
中置揚聲器：SS-CT71/CNP2200



中置揚聲器：SS-CT72/CT74



2 將中置揚聲器掛在掛鉤螺絲上，如圖所示。



ขอขอบคุณที่อุดหนุนผลิตภัณฑ์ของเรา

สำหรับลูกค้า

ผลิตภัณฑ์นี้ควรติดตั้งโดยตัวแทนด้านบริการที่ได้รับ การรับรองจาก Sony เนื่องจากจำเป็นต้องใช้คนติดตั้ง อย่างน้อย 2 คน ต้องใช้ความระมัดระวังเป็นพิเศษ โดยคำนึงถึงความปลอดภัย และอาศัยเทคนิคเข้าช่วย

คำเตือน

ถ้าข้อปฏิบัติเพื่อความปลอดภัยไม่ได้รับการปฏิบัติตาม อาจมีผลให้บาดเจ็บสาหัสหรือเกิดไฟลุกไหม้ได้

หนังสือคู่มือวิธีใช้เล่มนี้แสดงวิธีการใช้งานที่ถูกต้องของผลิตภัณฑ์และข้อปฏิบัติสำคัญๆ ที่จำเป็นเพื่อป้องกันไม่ให้เกิดอุบัติเหตุ อย่าลืมอ่านหนังสือคู่มือนี้ให้ถี่ถ้วนและใช้ผลิตภัณฑ์ให้ถูกต้อง พร้อมทั้งเก็บหนังสือคู่มือนี้ไว้ใช้อ้างอิงในอนาคต

สำหรับตัวแทนจำหน่าย Sony

ในการติดตั้งทีวีจำเป็นต้องใช้คนอย่างน้อย 2 คน ต้องใช้ความระมัดระวังเป็นพิเศษ โดยคำนึงถึงความปลอดภัย และอาศัยเทคนิคเข้าช่วย เมื่อทำการติดตั้ง ให้ดูหนังสือคู่มือวิธีใช้นี้โดยละเอียด Sony จะไม่รับผิดชอบต่ออุบัติเหตุหรือความเสียหายใดๆ อันเกิดจากการติดตั้งหรือใช้งานไม่ถูกต้อง โปรดมอบหนังสือคู่มือวิธีใช้ให้แก่ลูกค้าภายหลังการติดตั้ง

ว่าด้วยความปลอดภัย

ผลิตภัณฑ์ของ Sony ได้รับการออกแบบโดยคำนึงถึงความปลอดภัย การใช้งานผลิตภัณฑ์อย่างไม่ถูกต้องอาจทำให้เกิดการบาดเจ็บรุนแรงจากไฟไหม้ ไฟฟ้าลัดวงจร ผลิตภัณฑ์ลัมใส่ หรือผลิตภัณฑ์ตกกระแทกพื้น โปรดดูข้อปฏิบัติเพื่อความปลอดภัยเพื่อป้องกันอุบัติเหตุเหล่านั้น

ข้อควรระวัง

ผลิตภัณฑ์ที่กำหนด

ผลิตภัณฑ์ต่อไปนี้อาจมีการเปลี่ยนแปลงได้โดยไม่แจ้งให้ทราบล่วงหน้า

ผลิตภัณฑ์บางรุ่นอาจหมดจากคลังสินค้า หรือยกเลิกการผลิต หรืออาจไม่มีวางจำหน่ายในบางภูมิภาค

	ทีวีสี LCD	
SU-FL300M	KDL-46W3500	KDL-40D2600
	KDL-46W3100	KLV-40W300A
	KDL-46W3000	KLV-40V300A
	KDL-46V3100	KLV-40D300A
	KDL-46V3000	KDL-37S3100
	KDL-46VL130	KLV-37S310A
	KDL-46S3000	KDL-32XBR4
	KDL-46D3550	KDL-32V3100
	KDL-46D3500	KDL-32T3000
	KDL-46D3100	KDL-32T2800
	KDL-46D3010	KDL-32T2600
	KDL-46D3000	KDL-32S3100
	KLV-46W300A	KDL-32S3000
	KLV-46V300A	KDL-32SL130
	KLV-46D300A	KDL-32D3100
	KDL-40W3500	KDL-32D3010
	KDL-40W3100	KDL-32D3000
	KDL-40W3000	KDL-32D2810
	KDL-40V3100	KDL-32D2710
	KDL-40V3000	KDL-32D2600
	KDL-40VL130	KLV-32V300A
	KDL-40T3000	KLV-32S310A
	KDL-40T2800	KLV-32D300A
	KDL-40T2600	
	KDL-40S3000	
	KDL-40SL130	
	KDL-40D3550	
	KDL-40D3500	
	KDL-40D3100	
	KDL-40D3010	
KDL-40D3000		
KDL-40D2810		
KDL-40D2710		
SU-FL300L	KDL-52W3000	
	KDL-52WL130	
	KDL-46W3000	
	KDL-46V3000	
	KDL-46VL130	
	KDL-46S3000	

แทนวางทีวีนี้ได้รับการออกแบบเพื่อใช้งานกับผลิตภัณฑ์ตามที่ระบุไว้ข้างต้น สำหรับทีวีแบบอื่น โปรดตรวจสอบว่าทีวีของท่านใช้งานกับแทนวางทีวีได้หรือไม่จากคู่มือการใช้งานของผลิตภัณฑ์

ทีวีบางรุ่นอาจมีใบรายละเอียดอธิบายวิธีการติดตั้งแทนวางทีวีแนบมาด้วย

คำเตือน

หากไม่ปฏิบัติตามข้อควรระวังต่อไปนี้ อาจทำให้เกิดการบาดเจ็บรุนแรงหรือเสียชีวิตได้จากไฟไหม้ ไฟฟ้าลัดวงจร ผลิตภัณฑ์ลัมใส่ หรือผลิตภัณฑ์ตกกระแทกพื้น

การติดตั้งผลิตภัณฑ์ต้องดำเนินการโดยตัวแทนจำหน่ายของ Sony ที่ได้รับการรับรองเท่านั้น

การติดตั้งโดยบุคคลอื่นที่ไม่มีความชำนาญ อาจทำให้เกิดการบาดเจ็บรุนแรง เนื่องจากทีวีและแท่นวางทีวีมีน้ำหนักมาก

อย่าลืมใช้มาตรการต่าง ๆ เพื่อป้องกันไม่ให้แท่นวางทีวีล้มคว่ำได้

หากท่านไม่ดำเนินการเช่นนั้น เครื่องทีวีอาจล้มลงและทำให้เกิดการบาดเจ็บได้ เพื่อป้องกันการไม่ให้ทีวีล้มลง อาจทำได้โดยตรงทีวีเข้ากับผนัง เป็นต้น

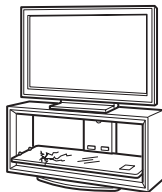
หากท่านจะติดตั้งแท่นวางทีวีบนพื้นผิวที่อ่อนนุ่ม เช่น

ไม่ควรติดตั้งแท่นวางทีวีเอนด้านใดด้านหนึ่ง เพราะอาจทำให้แท่นวางทีวีล้มทับใส่ หรือทีวีอาจหล่นลง อาจทำให้เกิดการบาดเจ็บหรือเกิดความเสียหายได้ หากท่านติดตั้งแท่นวางทีวีบนพื้นผิวที่อ่อนนุ่ม เช่น บนเสื่อหรือพรม ให้หน้าแผ่นกระดานปูไว้ล่วงหน้าบนบริเวณที่กำหนดไว้

ไม่ควรใช้แท่นวางทีวีที่มีรอยร้าว

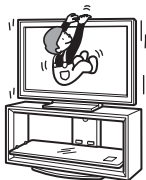
ไม่ควรใช้แท่นวางทีวีหากมีรอยร้าวอยู่ กระจกอาจแตกได้ และทำให้ทีวีล้มลงมา ซึ่งอาจเป็นสาเหตุให้เกิดการบาดเจ็บหรือเกิดความเสียหายได้

แท่นวางทีวีที่มีรอยแตก



อย่าดึงหรือโยนทีวีขณะที่ทีวีติดตั้งอยู่กับแท่นวางทีวี

แท่นวางทีวีอาจล้มทับใส่ หรือ ทีวีอาจหล่นลงและทำให้บาดเจ็บสาหัสหรือถึงแก่ชีวิต



อย่าปล่อยให้เด็กๆ ปีนป่ายบนแท่นวางทีวีหรือคลานเล่นใต้แท่นวางทีวี

หากเด็กปีนเล่นบนแท่นวางทีวีหรือเข้าไปอยู่ระหว่างชั้นกระจก อาจเกิดการบาดเจ็บรุนแรงหรือเสียชีวิตได้ กรณีที่กระจกแตกหรือแท่นวางทีวีและทีวีล้มลงใส่



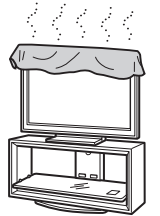
อย่าขึ้นไปยืนบนแท่นวางทีวี

ท่านอาจตกลงมา หรือทำการระงกแตกและโดนกระจกบาดเอา



อย่าปิดระบายอากาศบนเครื่องโทรทัศน์

หากท่านปิดระบายอากาศบนเครื่องโทรทัศน์ (โดยใช้ผ้า ฯลฯ) ภายในเครื่องรับโทรทัศน์ อาจร้อนจนเกิดไฟลุกติดได้



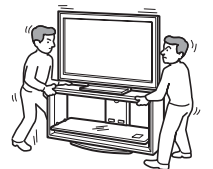
อย่าปล่อยให้สายไฟหลักหรือสายเคเบิลถูกกดทับ

- อย่าปล่อยให้สายไฟหลักหรือสายเคเบิลถูกกดทับ ขณะทำการติดตั้งทีวีบนแท่นวางทีวี ถ้าสายไฟหลักหรือสายเคเบิลชำรุดเสียหาย อาจทำให้เกิดไฟลุกไหม้หรือไฟฟ้าลัดวงจรได้
- อย่าเหยียบบนสายไฟหลักหรือสายเคเบิลในขณะที่ท่านเลื่อนแท่นวางทีวี สายไฟหลักหรือสายเคเบิลอาจชำรุดเสียหาย และนี่อาจเป็นทำให้เกิดไฟลุกไหม้หรือไฟฟ้าลัดวงจรได้



อย่าเคลื่อนย้ายแท่นวางทีวีโดยที่ทีวียังติดตั้งอยู่บนชั้นหรือมีอุปกรณ์เชื่อมต่อวางอยู่

หากท่านเคลื่อนย้ายแท่นวางทีวีโดยที่เครื่องรับโทรทัศน์ยังติดตั้งอยู่ อาจทำให้ท่านปวดหลังได้ หรือแท่นวางทีวีอาจล้มทับใส่ และทำให้บาดเจ็บรุนแรง นอกจากนี้ อุปกรณ์ที่เชื่อมต่ออยู่ภายในอาจตกลงมา ทำให้กระจกของชั้นวางแตก หรืออาจก่อให้เกิดความเสียหายแก่ทรัพย์สินได้



ขอความช่วยเหลือ

ถ้าขอปฏิบัติเพื่อความปลอดภัยต่อไปนี้ไม่ได้รับการปฏิบัติตาม การบาดเจ็บหรือความเสียหายต่อทรัพย์สินอาจเกิดขึ้นได้

อย่าติดตั้งอุปกรณ์อื่นนอกเหนือจากผลิตภัณฑ์ที่ระบุไว้

- แทนวางทีวีนี้ได้รับการออกแบบสำหรับใช้กับผลิตภัณฑ์ที่ระบุไว้เท่านั้น หากท่านติดตั้งอุปกรณ์อื่นนอกเหนือจากผลิตภัณฑ์ที่ระบุไว้ แทนวางทีวีนี้อาจล้มหรือแตกหักชำรุดและทำให้เกิดการบาดเจ็บได้
- อย่าวางสิ่งของ อาทิ แจกัน ถ้วยชาม ฯลฯ บนแทนวางทีวี
- อย่าดัดแปลงแทนวางทีวี
- อย่าวางของร้อน ๆ บนแทนวางทีวีโดยตรง ความร้อนอาจเป็นสาเหตุให้สีซีดลงหรือแทนวางทีวีรูปทรงบิดเบี้ยวได้
- อย่าวางของบนแทนวางทีวีโดยตรง เพราะอาจทำให้กระจกชำรุดเสียหายได้

อย่าลืมนั่งทีวีให้อยู่กับที่

ตรึงทีวีไว้กับแทนวางทีวีโดยใช้หมุดยึดที่ให้มา ถ้าไม่ได้ติดตั้งทีวีให้ตรึงอยู่กับที่ ทีวีอาจตกลงมา หรือแทนวางทีวีอาจสั่นไถลลงมา และทำให้เกิดการบาดเจ็บได้

อย่ากดน้ำหนักลงบนกระจกหรือใช้แรงกระแทกใดๆ ที่กระจก

อย่าเอามือกดลงบนชั้นทีวีขณะติดตั้งเครื่องทีวี อย่าใช้ของแข็งทุบแทนวางทีวี เช่น ไขควง ฯลฯ เพราะกระจกอาจแตกและทำให้บาดเจ็บได้

เมื่อเคลื่อนย้ายแทนวางทีวีโดยลำพัง

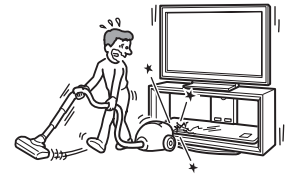
การเคลื่อนย้ายแทนวางทีวีโดยลำพัง หรือไม่ได้ทำตามขั้นตอนที่ถูกต้องเหมาะสม อาจทำให้บาดเจ็บได้ ซึ่งจะหลีกเลี่ยงได้โดยต้องไม่ลืมนำคู่มือคำแนะนำที่ให้มาข้างล่างนี้

- อย่าลืมนำคู่มือช่วยเหลือ 2 คนหรือมากกว่า หลังจากเคลื่อนย้ายทีวีเสร็จแล้วเท่านั้น จึงค่อยเชื่อมต่ออุปกรณ์และใส่ชิ้นกระจก
- อย่าดึงแทนวางทีวี ส่วนฐานของแทนวางทีวีอาจหลุดออกสร้างความเสียหายให้กับพื้นได้
- ระมัดระวังอย่าให้มือหรือเท้าเข้าไปโดนกอดทับอยู่ใต้แผ่นฐานด้านล่าง
- อย่าจับชั้นกระจกขณะเข็นแทนวางทีวี

ระวังอย่าให้กระจกโดนกระแทกแรง ๆ

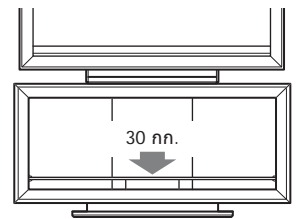
แทนวางทีวีนี้ทำด้วยกระจกที่แข็งแรง หากแต่ต้องคอยดูแลให้ดี ถ้ากระจกแตก เศษแก้วอาจทำให้บาดเจ็บ จึงควรทำตามข้อแนะนำเพื่อความปลอดภัยข้างล่างนี้

- อย่าทุบกระจกหรือทำวัตถุมีคมหล่นลงบนกระจก และหลีกเลี่ยงการกระแทกแรง ๆ
- อย่าขีดหรือกระทุ้งกระจกด้วยของมีคม
- อย่าให้วัตถุแข็งๆ กระแทกกับบริเวณขอบกระจก



ข้อสังเกตเรื่องน้ำหนักบรรทุก

อย่าวางอุปกรณ์ที่มีน้ำหนักมากกว่าน้ำหนักสูงสุดของแต่ละชั้นดังแสดงไว้ในภาพ ไม่เช่นนั้น ชั้นอาจจะแตกได้



ข้อสังเกตในการติดตั้ง

- ขณะทำการประกอบ ให้ใช้วัสดุห่อหุ้มรองไว้บนพื้นเพื่อหลีกเลี่ยงการทำความเสียหายให้กับพื้นห้อง
- ติดตั้งแทนวางทีวีบนพื้นราบที่แข็งแรงมั่นคง ระวังอย่าให้แทนวางทีวีติดตั้งแบบเฉียง ๆ หรือเอียง ๆ โดยท่านสามารถหลีกเลี่ยงไม่ให้แทนวางทีวีเฉียง ๆ เอียง ๆ ได้โดยปฏิบัติตามข้อแนะนำต่อไปนี้
 - อย่าติดตั้งแทนวางทีวีตรงบริเวณที่โดนแดดส่องโดยตรงหรืออยู่ใกล้กับเครื่องทำความร้อน
 - อย่าติดตั้งแทนวางทีวีตรงบริเวณที่ร้อนหรือชื้นเกินไปหรือกลางแจ้ง

ข้อสังเกตการใช้งาน

ในการรักษาแทนวางทีวีให้สะอาด ให้เช็ดแทนวางทีวีด้วยผ้าแห้งนุ่มๆ รอยสกปรกที่ทำความสะอาดยากอาจเช็ดออกได้ด้วยผ้าชุบน้ำสบู่อ่อนๆ บิดหมาดๆ และต้องเช็ดพื้นที่ดังกล่าวให้แห้งทันทีหลังจากนั้นด้วยผ้าแห้งนุ่มๆ อย่าใช้สารเคมีใดๆ อย่างเช่น ทินเนอร์หรือเบนซิน เนื่องจากน้ำยาเหล่านี้จะทำลายผิวหน้าวัสดุของแทนวางทีวี

สำหรับตัวแทนจำหน่าย Sony

อย่าลืมอ่านข้อปฏิบัติเพื่อความปลอดภัยที่บรรยายมาก่อนหน้านี้ให้ถี่ถ้วน และให้ความสนใจเรื่องความปลอดภัยเป็นพิเศษขณะติดตั้งบำรุงรักษา ตรวจสอบ และซ่อมแซมผลิตภัณฑ์

อย่าลืมว่าต้องใช้คน 2 คนหรือมากกว่า 2 คนติดตั้งแทนวางทีวี

อย่าลืมว่าต้องใช้คน 2 คนหรือมากกว่า 2 คนในการติดตั้งทีวีบนแทนวางทีวี ในกรณีที่ลำพังแต่คนคนเดียวทำการติดตั้ง อาจส่งผลให้เกิดอุบัติเหตุหรือบาดเจ็บได้ อย่าลืมกันเด็ก ๆ ออกไปขณะติดตั้ง

อย่าลืมประกอบแทนวางทีวีให้มั่นคงปลอดภัยตามขอแนะนำในการใช้งาน

หากท่านสกรูตัวใดตัวหนึ่งไม่แน่นหรือหลุดออก อาจเป็นสาเหตุให้แทนวางทีวีล้มลงได้ และอาจทำให้เกิดการบาดเจ็บหรือเกิดความเสียหาย



ระวังอย่าทำมือหรือนิ้วเจ็บระหว่างการติดตั้ง

ระวังอย่าให้มือหรือนิ้วโดนหนีบระหว่างการประกอบแทนวางทีวีและติดตั้งเครื่องทีวี

ต้องติดตั้งทีวีให้แน่นหนาตามคำแนะนำ

ให้ขันตะปูควงให้แน่นหนา ถ้าทีวีติดตั้งไม่แน่นหนามันคงอาจร่วงหล่นลงมาโดนใครบาดเจ็บได้

ขั้นที่ 1: ตรวจสอบชิ้นส่วน

ชื่อ	จำนวน
แผ่นด้านบน	1
แผ่นฐานด้านล่าง	1
แผ่นด้านข้าง (L)*1	1
แผ่นด้านข้าง (R)*1	1
แผ่นด้านหลัง	1
แผงด้านหน้า	1
ชั้นกระจก	1
สกรู (+PWH5 × 25)	a*4 8
สกรู (+K4 × 20) + ฝาปิด	b*4 2
สกรูแคมล๊อค	c*4 4
สกรู (+P4 × 15)	d*4 4
สลักสมอ	e*4 2
ฝาปิดสกรู	f*4 3
สายรั้ง	
สกรู (M6 × 18)	g*4 1
สกรูยึดไม้ (M3.8 × 20)	
ขายึดลำโพง (L)	1
ขายึดลำโพง (R)	1
กระดาดแผงฝัง	4*2 3*3
เทปกา	1

*1 ภาพข้างต้นเป็นของรุ่น SU-FL300M ซึ่งจะแตกต่างจากรุ่น SU-FL300L สำหรับรุ่น SU-FL300L จะมีช่องว่างสองช่องบริเวณด้านข้างของแผ่นด้านข้าง

*2 สำหรับรุ่น SU-FL300M จะมีกระดาดแผงฝังให้ 4 แผ่น

*3 สำหรับรุ่น SU-FL300L จะมีกระดาดแผงฝังให้ 3 แผ่น

*4 ถูใส่ชิ้นส่วนมีฉลากกำกับอยู่เรียงตามลำดับตัวอักษร

ก่อนลงมือประกอบ อย่าลืมเตรียมไขควงของ Phillips ไว้ให้พร้อม เพราะเข้ากับสกรูที่แสดงไว้ข้างบนนี้ไว้ด้วย

ขั้นที่ 2: การประกอบแทนวางทีวี

คำเตือน

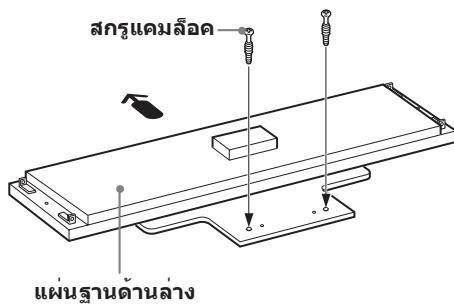
หากท่านปล่อยให้สายไฟหลักถูกกดทับหรือหนีบอยู่ระหว่างชิ้นส่วนอุปกรณ์ อาจมีผลให้เกิดไฟฟ้าลัดวงจร หรือไฟฟ้าดูดได้ ถ้าท่านสะดุดสายหลักหรือสายเคเบิล แทนวางทีวี อาจล้มลงและทำให้บาดเจ็บได้

กำหนดตำแหน่งที่จะติดตั้ง แล้วจับแทนวางทีวีให้อยู่ ลงก่อนทำการติดตั้งทีวี

เนื่องจากทีวีมีน้ำหนักมาก ขอแนะนำว่าท่านควรกำหนดตำแหน่งที่ต้องการติดตั้งไว้ก่อน จากนั้นจึงประกอบแทนวางทีวีที่บริเวณดังกล่าว

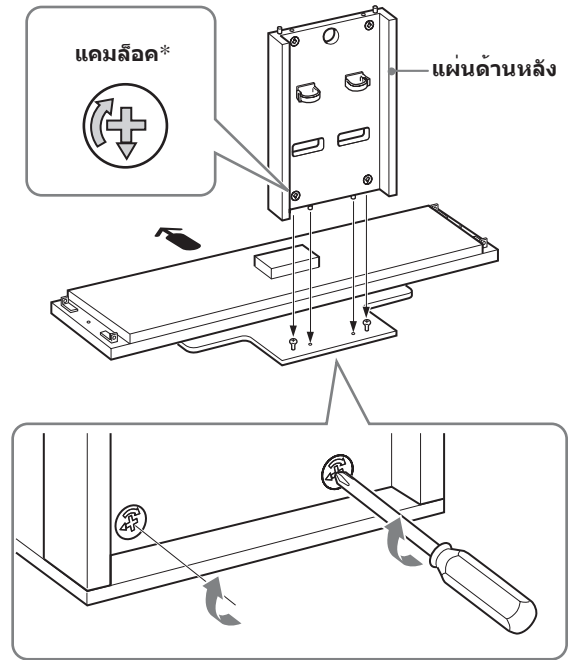
1 ติดตั้งแผ่นด้านหลังเข้ากับแผ่นฐาน ด้านล่าง

- ขันสกรูแคมล๊อคสองตัวที่ให้มาด้วยเข้ากับแผ่นฐานด้านล่างให้แน่น



← ทิศทางลูกศรแสดงด้านหน้าของแทนวางทีวี

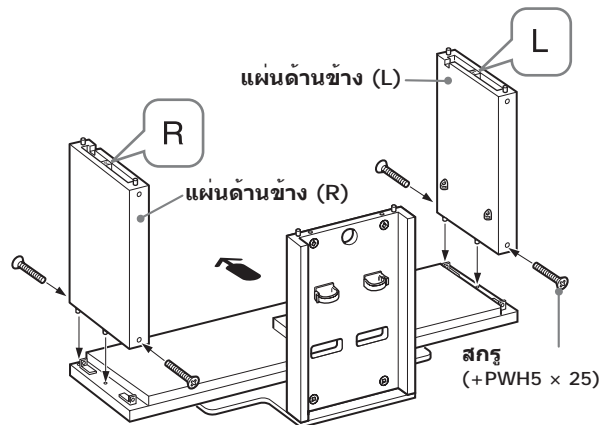
- ติดตั้งแผ่นด้านหลังเข้ากับแผ่นฐานด้านล่าง จากนั้นยึดแคมล๊อคทั้งสองให้แน่นด้วยไขควง



* ก่อนติดตั้งแผ่นด้านหลัง ตรวจสอบให้แน่ใจว่าจัดวางให้สัญลักษณ์ ∇ หันลงด้านล่างแล้ว

2 ติดตั้งแผ่นด้านข้างเข้ากับแผ่นฐาน ด้านล่าง

ยึดแผ่นด้านข้างเข้ากับแผ่นฐานด้านล่างให้แน่นด้วยสกรูสี่ตัวที่ให้มาด้วย (+PWH5 × 25)

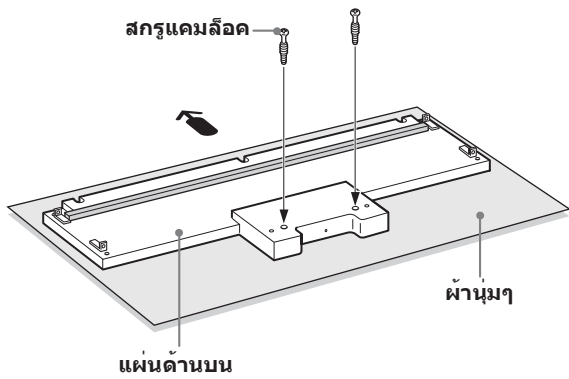


หมายเหตุ

แผ่นด้านข้างซ้ายและขวามีลักษณะแตกต่างกัน โปรดตรวจสอบให้แน่ใจว่าได้ติดตั้งแผ่นด้านข้างแต่ละแผ่นอย่างถูกต้อง

3 ติดตั้งแผ่นด้านบน

- 1 ขันสกรูแคมล็อกสองตัวที่ให้มาด้วยเข้ากับแผ่นด้านบนให้แน่น

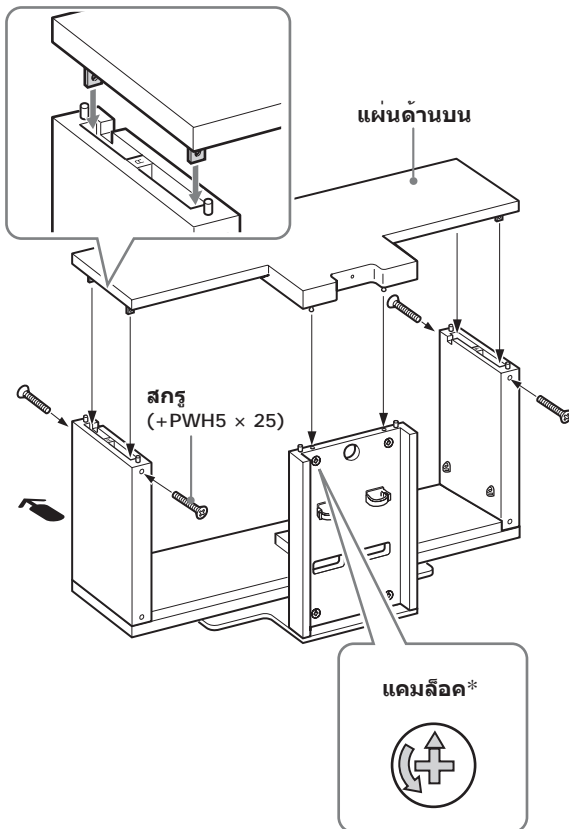


ภาพที่ปรากฏอยู่ด้านบนแสดงการประกอบรุ่น SU-FL300M เป็นตัวอย่าง สำหรับรุ่น SU-FL300L จะมีแท่งเสริมความแข็งแรงติดตั้งอยู่ที่ส่วนแผ่นด้านบน

หมายเหตุ

เพื่อป้องกันความเสียหายที่อาจเกิดกับผิวเคลือบมันของแผ่นด้านบน ให้ทำความสะอาดพร้อมกับการบริเวณที่จะใช้วางด้วยผ่านุมฯ

- 2 จัดวางและสอดฐานยึดของทั้งสองข้างของแผ่นด้านบนเข้าไปยังแผ่นด้านข้าง
- 3 ยึดแผ่นด้านข้างด้วยสกรูสี่ตัวที่ให้มาด้วย (+PWH5 × 25) และหมุนแคมล็อกที่เหลืออีกสองตัวที่ด้านหลังของแผ่นด้านหลังให้แน่น



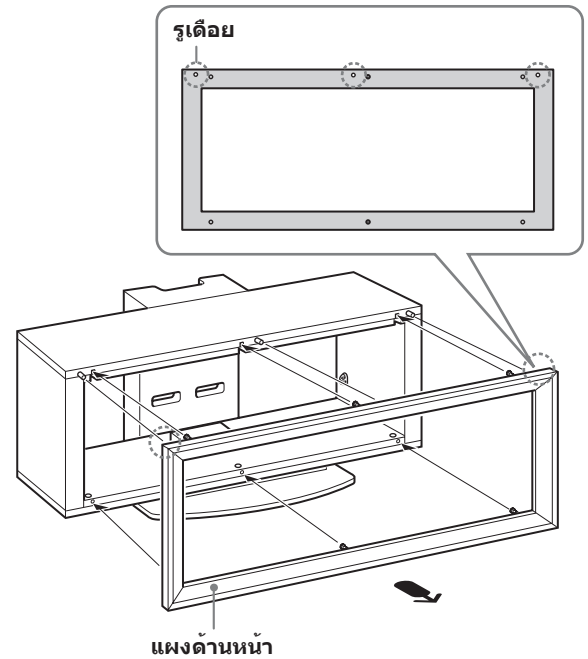
* ก่อนติดตั้งแผ่นด้านบน ตรวจสอบให้แน่ใจว่าจัดวางให้สัญลักษณ์ Δ หันขึ้นด้านบนแล้ว

หมายเหตุ

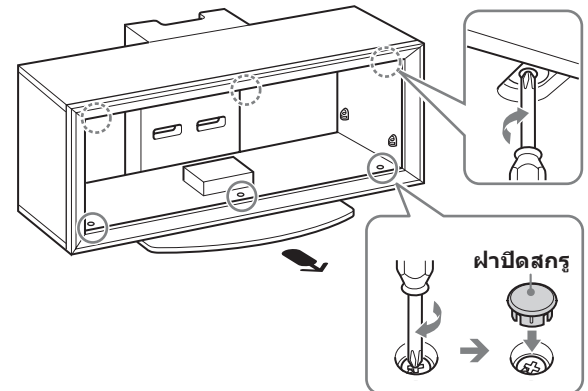
ระมัดระวังอย่าให้นิ้วโดนหนีบระหว่างการติดตั้งแผ่นด้านบน

4 ติดตั้งแผงด้านหน้าเข้ากับแท่นวางทีวี

- 1 จัดเรียงเดือยทั้งสามตัวของแท่นวางทีวีเข้ากับรูทั้งสามของแผงด้านหน้า



- 2 หมุนสกรูแคมล็อกทั้งหกตัวที่แผ่นด้านบนและแผ่นฐานด้านล่างไปตามทิศทางเข็มนาฬิกาเพื่อยึดแผงด้านหน้า จากนั้นติดตั้งฝาปิดสกรูสามอันที่ให้มาด้วยเข้ากับสกรูด้านล่างทั้งสามตัว



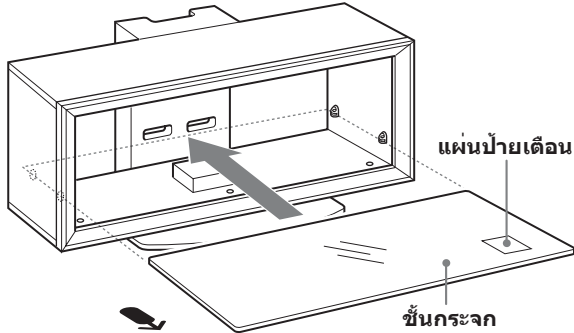
หมายเหตุ

ตรวจสอบให้แน่ใจว่าได้ติดตั้งแผงด้านหน้าตามทิศทางที่ถูกต้อง

5 ติดตั้งชั้นกระจก

กรณีที่ท่านติดตั้งระบบโฮมเธียเตอร์เข้ากับแท่นวางทีวี ให้ติดตั้งขายึดลำโพงให้เรียบร้อยก่อน (ดูรายละเอียดจาก “การติดตั้งลำโพงเซ็นเตอร์ (สำหรับระบบโฮมเธียเตอร์เท่านั้น)” ที่หน้า 11)

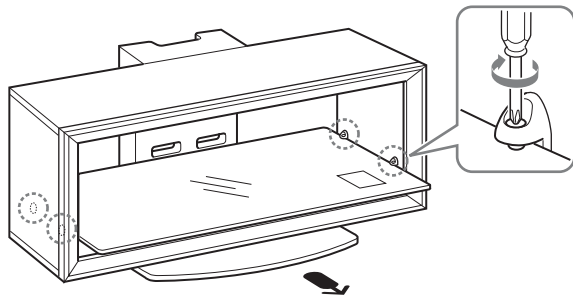
- 1 เลื่อนชั้นกระจกเข้า จนกระทั่งสัมผัสกับแผ่นด้านหลัง



หมายเหตุ

ติดตั้งชั้นกระจกเข้ากับแท่นวางทีวี โดยให้แผ่นป้ายเตือนหันขึ้นด้านบนที่มุมด้านบนขวา ตามที่แสดงในภาพ

- 2 หมุนสกรูทั้งสี่บนแผ่นด้านข้างให้แน่น เพื่อยึดชั้นกระจกเข้ากับแท่นวางทีวี



ขั้นที่ 3: เตรียมพร้อมสำหรับการติดตั้งทีวี

1 ติดตั้งปลอกเข้ากับแผ่นด้านบน

ติดตั้งปลอกด้วยสกรูที่ให้มาด้วย (+ K4 x 20)

สำหรับรุ่นที่ไม่ได้ระบุไว้ที่หน้า 2 :

ใช้รูที่อยู่ด้านหน้า

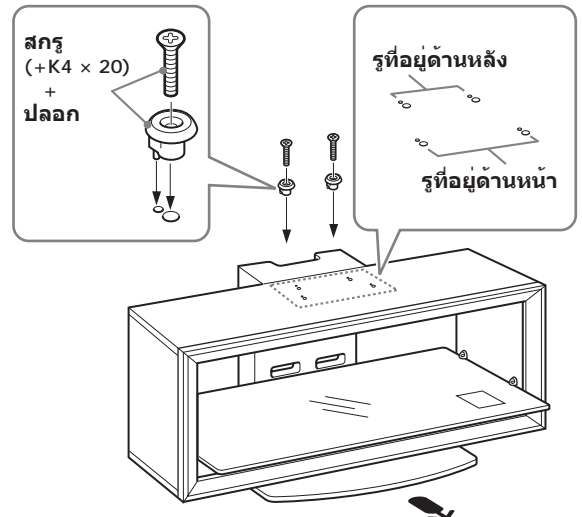
สำหรับรุ่นที่ได้ระบุไว้ที่หน้า 2 :

สำหรับรุ่นที่ประกอบด้วยฐานหมุน * ให้ใช้รูที่อยู่ด้านหลัง และสำหรับรุ่นที่ไม่มีฐานหมุน ให้ใช้รูที่อยู่ด้านหน้า

หมายเหตุ

ตรวจสอบว่าเครื่องทีวีของท่านสามารถหมุนได้หรือไม่ จากคู่มือการใช้งานของทีวี

* ฟังก์ชันฐานหมุนช่วยให้ท่านสามารถปรับมุมการรับชมของเครื่องทีวีได้ (ชายและขวา)



2 ติดแผ่นกระดาษแผ่นฝังที่ให้มาด้วยบนแผ่นด้านบน

- 1 เลือกกระดาษแผ่นฝังที่ให้มาด้วยและจัดวางมุมบนด้านขวาของกระดาษแผ่นฝังให้ตรงกับมุมบนด้านขวาของแผ่นด้านบน

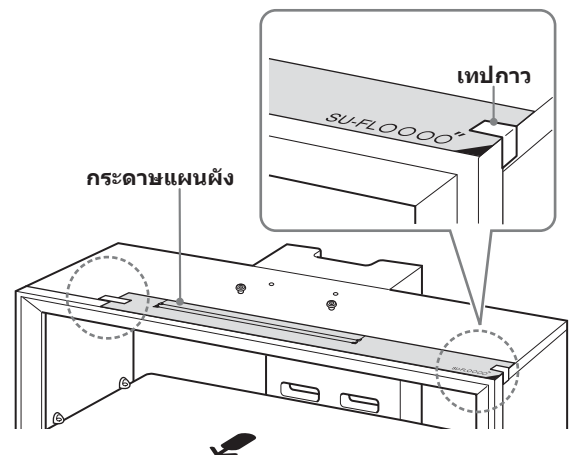
สำหรับรุ่นที่ไม่ได้ระบุไว้ที่หน้า 2 :

โปรดตรวจสอบจากใบรายละเอียดที่ให้มาด้วยกับทีวีของท่าน เพื่อเลือกกระดาษแผ่นฝังให้ตรงกับชนิดทีวีของท่าน

สำหรับรุ่นที่ได้ระบุไว้ที่หน้า 2 :

เลือกกระดาษแผ่นฝังให้เหมาะสมกับขนาดของหน้าจอทีวีของท่าน

- 2 ติดแผ่นกระดาษแผ่นฝังเข้ากับแผ่นด้านบนด้วยเทปกาวที่ให้มาด้วย

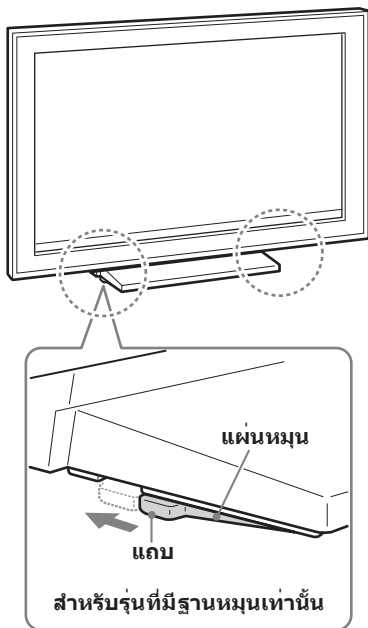


ขั้นที่ 4: การติดตั้งทีวี

ติดตั้งเครื่องทีวีเข้ากับแป้นรองทีวีแบบตั้งโต๊ะให้เรียบร้อย หากท่านยังไม่ได้ทำการติดตั้ง เฉพาะรุ่นที่ประกอบด้วยฐานหมุนที่ระบุไว้ที่หน้า 2 ให้ทำตามข้อที่ 1 ของขั้นตอนที่ 4

1 จัดวางให้ตำแหน่งของแผ่นหมุนอยู่ตรงกึ่งกลาง (สำหรับรุ่นที่มีฐานหมุนเท่านั้น)

ก่อนติดตั้งทีวี ให้จัดส่วนแถบของแผ่นหมุนให้ตรงกับรอยบากของแป้นรองทีวีแบบตั้งโต๊ะ

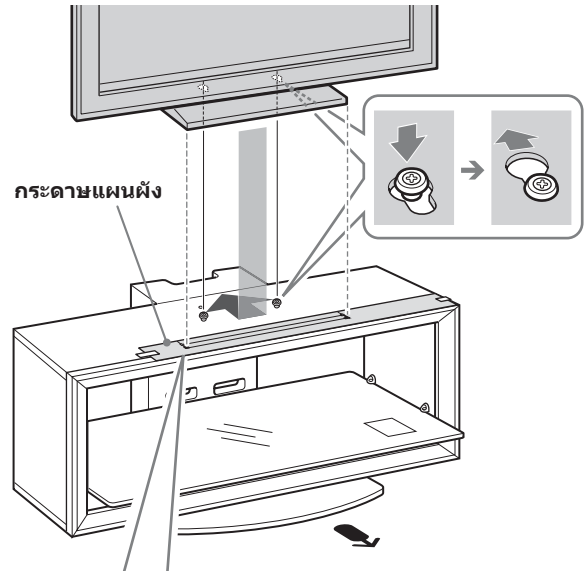


คำเตือน

หากท่านปรับจานหมุนไม่ถูกต้อง ทีวีอาจไม่ได้รับการติดตั้งอย่างถูกต้องและอาจหล่นลงได้

2 ติดตั้งเครื่องทีวีลงบนแท่นวางทีวี

- 1 จัดวางเส้นขอบของแป้นรองทีวีแบบตั้งโต๊ะให้ตรงกับเส้นขอบของจอภาพทีวีและสัญลักษณ์มุมที่ปรากฏในกระดาษแผ่นผัง โดยจัดให้รูที่ส่วนล่างของแป้นรองทีวีแบบตั้งโต๊ะตรงกับปลอกซึ่งได้ติดตั้งในข้อ 1 ของขั้นที่ 3
- 2 เลื่อนทีวีไปทางด้านหลังเพื่อให้ล้อคเข้าที่
- 3 ดึงกระดาษแผ่นผังออกจากแผ่นด้านบน



เฉพาะสำหรับรุ่นที่ประกอบด้วยฐานหมุนที่ไดระบุไว้ที่หน้า 2 :

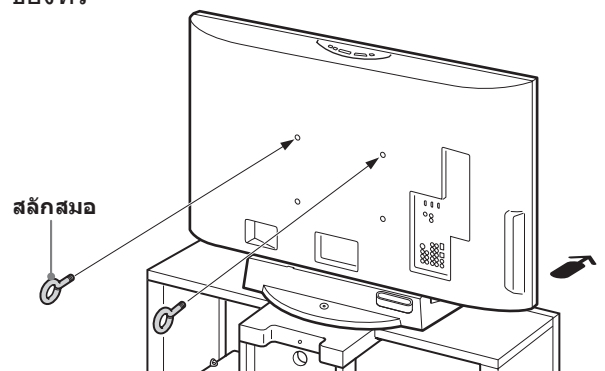
- A สัญลักษณ์มุมสีขาวสำหรับรุ่นที่มีฐานหมุน
- B สัญลักษณ์มุมสีดำสำหรับรุ่นที่ไม่มีฐานหมุน

หมายเหตุ

สำหรับผู้ใช้ทีวีขนาด 37/40 นิ้ว ไม่ว่าทีวีจะเป็นรุ่นที่มีฐานหมุนหรือไม่ก็ตาม ให้จัดเรียงแป้นรองทีวีแบบตั้งโต๊ะเข้ากับสัญลักษณ์มุมสีดำ (ไม่มีสัญลักษณ์มุมสีขาวในกระดาษแผ่นผังสำหรับขนาด 37/40 นิ้ว)

3 ติดตั้งสลักสมอ

ติดตั้งสลักสมอที่ให้มาด้วยทั้งสองตัวเข้ากับด้านหลังของทีวี



หมายเหตุ

หากท่านไม่ใช้สลักสมอทั้งสองตัวเพื่อยึดเครื่องทีวีเอาไว้ ทีวีอาจล้มลงและก่อให้เกิดการบาดเจ็บได้

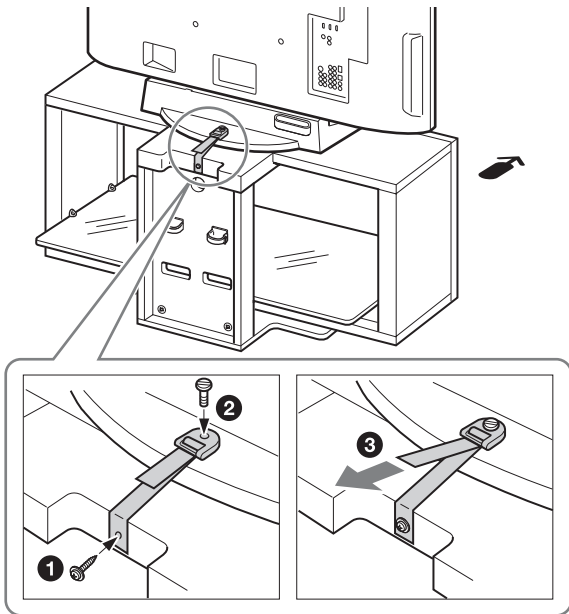
ขั้นที่ 5: มาตรการความปลอดภัย เพื่อป้องกันการลมนลง

คำเตือน

โปรดแน่ใจว่าท่านได้ดำเนินการเพื่อป้องกันไม่ให้แท่นวางทีวีล้มลง ซึ่งอาจทำให้เกิดการบาดเจ็บและเกิดความเสียหายได้

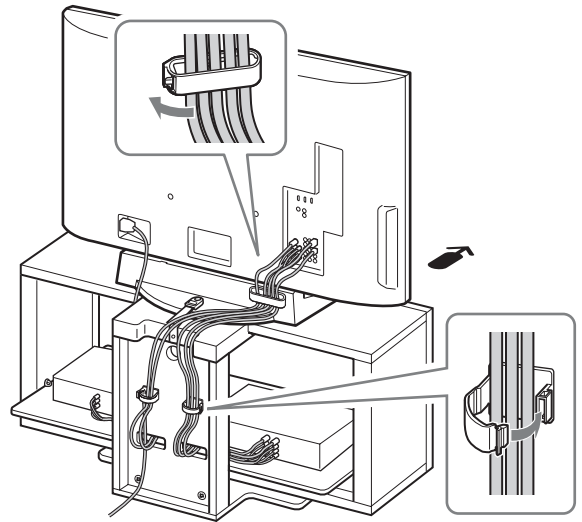
1 ติดตั้งสายรั้ง

- 1 ขันสกรูเพื่อยึดสายรั้งเข้ากับแท่นวางทีวีด้วยสกรูยึดไม้ที่เหมาะสมด้วยโดยใช้ไขควง
- 2 ติดตั้งสายรั้งเข้ากับแป้นรองทีวีแบบตั้งโต๊ะ จากนั้นขันสกรูของสายรั้งโดยใช้สกรูยึดที่เหมาะสมด้วย โดยใช้อุปกรณ์อย่างเช่น เหยี่ยว เป็นต้น
- 3 ปรับความยาวโดยดึงสายรั้งให้แน่นขึ้นในขณะที่จับแป้นรองทีวีแบบตั้งโต๊ะเอาไว้



2 เชื่อมต่อสายเคเบิล

โยงสายเคเบิลผ่านที่รัดสายเคเบิลและช่องของแผ่นด้านหลัง



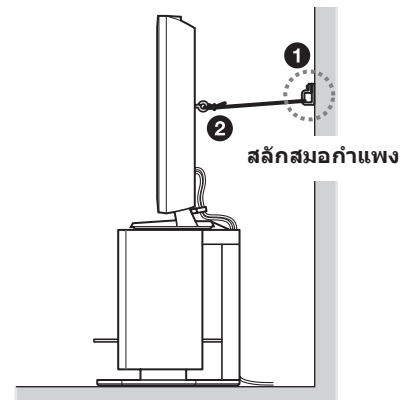
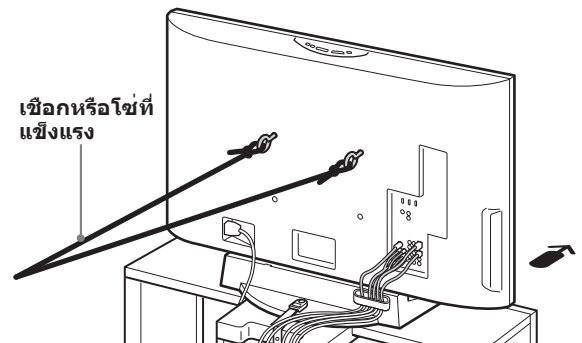
หมายเหตุ

หากท่านไม่ได้ติดตั้งสายเคเบิลอย่างถูกต้อง สายอาจถูกหนีบและเกิดความเสียหายขึ้นได้ ซึ่งอาจเป็นสาเหตุของไฟฟ้าลัดวงจร หรืออื่นๆ ได้

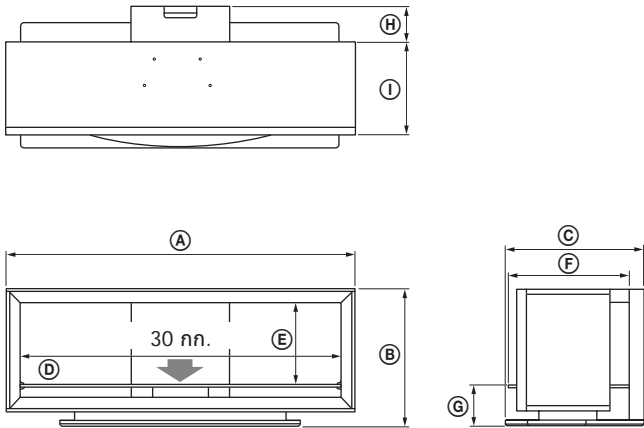
3 ยึดเครื่องทีวีเข้ากับกำแพง

สำหรับดำเนินการนี้ ให้เตรียมเชือกหรือโซ่ที่แข็งแรงซึ่งมีวงจ่านายทั่วไป และสลักสมอกำแพง

- 1 ติดตั้งสลักสมอกำแพงเข้ากับกำแพงที่แข็งแรง
- 2 คล้องเชือกหรือโซ่ผ่านรูทั้งสองของสลักสมอก จากนั้นรัดปลายอีกข้างหนึ่งของเชือกหรือโซ่เข้ากับสลักสมอกำแพง



ข้อมูลจำเพาะ



ข้อสังเกตเรื่องน้ำหนักบรรทุก

อย่าวางอุปกรณ์ใด ๆ ที่มีน้ำหนักมากกว่าน้ำหนักสูงสุดของชั้นกระบอก เนื่องจากกระบอกอาจแตกและทำให้มีผู้ได้รับบาดเจ็บได้

		SU-FL300M	SU-FL300L
ปริมาตร: มม.	Ⓐ	1,035	1,280
	Ⓑ	503	503
	Ⓒ	485	518
	Ⓓ	895	1,140
	Ⓔ	303	303
	Ⓕ	418	468
	Ⓖ	146	146
	Ⓗ	120	130
	Ⓘ	272	340
น้ำหนัก:		35 กก.	52 กก.

แบบและข้อมูลจำเพาะอาจมีการเปลี่ยนแปลงได้โดยไม่แจ้งล่วงหน้า

การติดตั้งลำโพงเซ็นเตอร์ (สำหรับระบบโฮมเธียเตอร์ เท่านั้น)

ลำโพงเซ็นเตอร์รุ่น SS-CT71/CNP2200 ใช้สำหรับระบบโฮมเธียเตอร์รุ่นต่อไปนี้เท่านั้น:

DAV-HDX665	HT-SF2000
DAV-HDX466	HT-SF1200
DAV-HDX465	HT-SF1100
DAV-HDX267W	DAV-DZ750K
DAV-HDX266	DAV-DZ630
DAV-HDX265	DAV-DZ556KB
DAV-HDX265	DAV-DZ555K
DAV-HDX265	DAV-DZ555M
	DAV-DZ530
	DAV-DZ250KW
	DAV-DZ250K
	DAV-DZ250M
	DAV-DZ231
	DAV-DZ230
	DAV-DZ151KB
	DAV-DZ150K

ลำโพงเซ็นเตอร์รุ่น SS-CT72/CT74 ใช้สำหรับระบบโฮมเธียเตอร์รุ่นต่อไปนี้เท่านั้น:

DAV-HDX900W	DAV-DZ1000
DAV-HDX501W	DAV-DZ850KW
DAV-HDX500	DAV-DZ850M
	DAV-DZ830W
	DAV-DZ531W

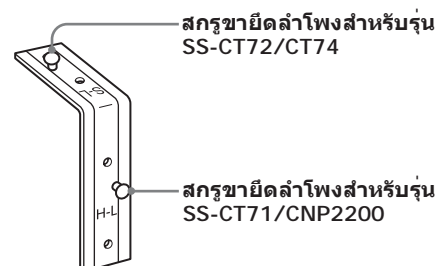
หมายเหตุ

- ผลิตภัณฑ์ข้างต้นอาจมีการเปลี่ยนแปลงได้โดยไม่แจ้งให้ทราบล่วงหน้า อาจหมดจากคลังสินค้าหรือยกเลิกการผลิตได้
- ผลิตภัณฑ์บางรุ่นอาจไม่มีวางจำหน่ายในบางภูมิภาค

ก่อนติดตั้งขายึดลำโพง:

สำหรับรุ่น SS-CT71/CNP2200 สัญลักษณ์ H-L/H-R จะต้องหันไปทางด้านหน้า (H-L ใช้สำหรับด้านซ้าย, H-R ใช้สำหรับด้านขวา)

สำหรับรุ่น SS-CT72/CT74 สัญลักษณ์ S-L/S-R จะต้องหันไปทางด้านหน้า (S-L ใช้สำหรับด้านซ้าย, S-R ใช้สำหรับด้านขวา)

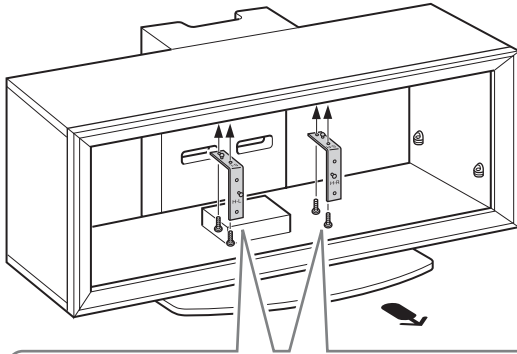


(มีต่อ)

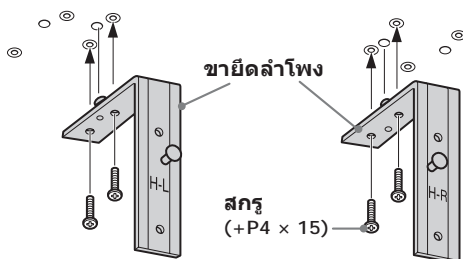
11 (TH)

1 ติดตั้งขายึดลำโพง

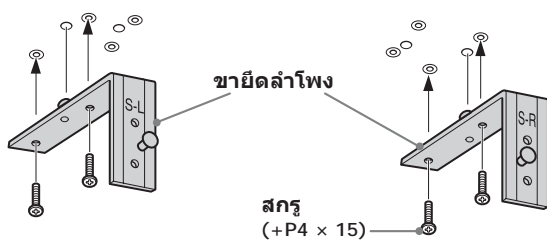
ติดตั้งขายึดลำโพงแต่ละข้างด้วยสกรูที่ให้มาด้วย (+P4 × 15) (สกรูสองตัวสำหรับด้านซ้ายและด้านขวา) เข้ากับด้านล่างของแผ่นด้านหลัง



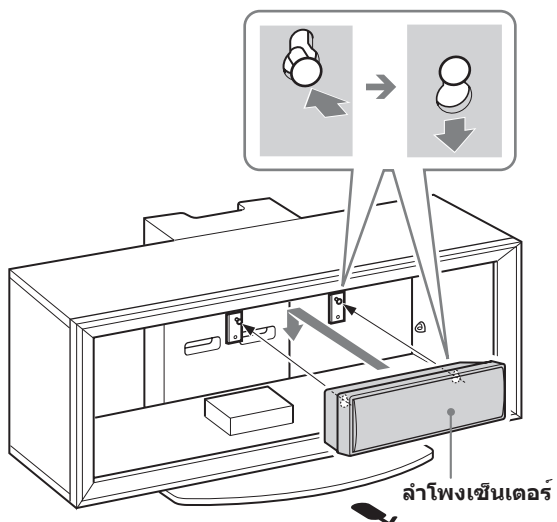
ลำโพงเซ็นเตอร์: SS-CT71/CNP2200



ลำโพงเซ็นเตอร์: SS-CT72/CT74



2 แขนงลำโพงเซ็นเตอร์เข้ากับสกรู แขนงดังภาพที่แสดง



본 제품을 구입하여 주셔서 감사합니다.

고객용

본 제품을 설치하려면 2명 이상의 인원과 설치 기술이 필요하며 설치 시에도 각별한 주의를 기울여서 안전하게 설치해야 하므로 반드시 자격을 갖춘 Sony 서비스 담당자에게 설치를 맡기십시오.

경고

만일 적절한 안전조치를 지키지 않거나 본 제품이 올바르게 사용되지 않을 경우 화재나 심각한 부상의 원인이 될 수 있습니다.

본 사용설명서에는 제품을 올바르게 다루는 방법과 사고를 방지하기 위한 중요한 안전조치가 들어 있습니다. 본 사용설명서 전체를 필히 숙독한 후 제품을 올바르게 사용하여 주십시오. 또한 추후 참조를 위하여 본 사용설명서를 잘 보관하여 주십시오.

Sony 대리점용

TV를 설치하려면 2명 이상의 인원과 각별한 주의 및 기술이 필요합니다. TV를 설치할 때에는 본 사용설명서를 주의하여 참조하십시오. Sony는 잘못된 설치 또는 취급 부주의로 발생하는 어떠한 사고나 부상에 대해서도 책임을 지지 않습니다. 설치 후에는 본 사용설명서를 고객에게 드리십시오.

안전을 위하여

Sony의 제품은 안전을 고려하여 설계되었습니다. 제품을 잘못 사용할 경우 화재, 감전 사고 또는 제품의 넘어짐으로 인해 심각한 부상을 입을 수 있습니다. 사고를 방지하기 위하여 적절한 안전조치를 따라 주십시오.

주의

지정제품

다음 제품은 예고 없이 변경될 수 있습니다. 특정 모델은 품절 또는 단종될 수 있으며, 일부 지역에서 사용할 수 없는 경우도 있습니다.

	LCD 컬러 TV	
SU-FL300M	KDL-46W3500	KDL-37S3100
	KDL-46W3100	KLV-37S310A
	KDL-46W3000	KDL-32XBR4
	KDL-46V3100	KDL-32V3100
	KDL-46V3000	KDL-32T3000
	KDL-46VL130	KDL-32T2800
	KDL-46S3000	KDL-32T2600
	KDL-46D3550	KDL-32S3100
	KDL-46D3500	KDL-32S3000
	KDL-46D3100	KDL-32SL130
	KDL-46D3010	KDL-32D3100
	KDL-46D3000	KDL-32D3010
	KLV-46W300A	KDL-32D3000
	KLV-46V300A	KDL-32D2810
	KLV-46D300A	KDL-32D2710
	KDL-40W3500	KDL-32D2600
	KDL-40W3100	KLV-32V300A
	KDL-40W3000	KLV-32S310A
	KDL-40V3100	KLV-32D300A
	KDL-40V3000	
	KDL-40VL130	
	KDL-40T3000	
	KDL-40T2800	
	KDL-40T2600	
	KDL-40S3000	
	KDL-40SL130	
	KDL-40D3550	
	KDL-40D3500	
	KDL-40D3100	
	KDL-40D3010	
	KDL-40D3000	
	KDL-40D2810	
KDL-40D2710		
KDL-40D2600		
KLV-40W300A		
KLV-40V300A		
KLV-40D300A		
SU-FL300L	KDL-52W3000	
	KDL-52WL130	
	KDL-46W3000	
	KDL-46V3000	
	KDL-46VL130	
	KDL-46S3000	

본 TV 스탠드는 위에 지정한 제품용으로 제작되었습니다. 다른 TV의 경우 본 TV 스탠드를 사용할 수 있는지 알아보려면 해당 사용설명서를 참조하여 주십시오. TV 스탠드의 설치 방법에 대한 설명서가 제공되는 TV도 있습니다.

경고

만일 다음의 안전조치를 지키지 않을 경우 화재, 감전 사고 또는 제품의 넘어짐으로 인해 심각한 부상 또는 사망에 이르는 사고가 발생할 수 있습니다.

본 제품은 자격을 갖춘 Sony 서비스 담당자에게만 설치를 맡기십시오.

TV 및 TV 스탠드는 매우 무겁기 때문에 비자격자가 설치할 경우 심각한 부상을 입을 수 있습니다.

TV 스탠드가 넘어지지 않도록 안전장치를 마련하여 주십시오.

그렇지 않으면 TV가 넘어져서 부상을 입을 수 있습니다. TV가 넘어지지 않도록 TV를 벽 등에 고정하십시오.

TV 스탠드는 단단하고 평평한 바닥에 설치해 주십시오.

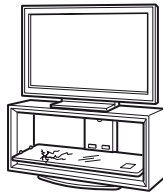
한쪽으로 기울어진 곳에 TV 스탠드를 설치하지 마십시오. 이런 곳에 설치하는 경우 TV 스탠드가 넘어지거나 TV가 떨어질 수 있습니다. 이로 인해 제품이 손상되거나 부상을 입을 수 있습니다.

매트나 카펫과 같은 표면이 폭신한 곳에 TV 스탠드를 설치하는 경우에는 설치할 곳에 미리 보드를 깔아 주십시오.

균열이 있는 TV 스탠드는 사용하지 마십시오.

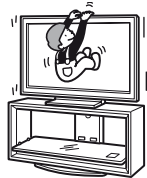
조금이라도 균열이 있을 경우 TV 스탠드를 사용하지 마십시오. 우리가 깨지고 TV가 넘어져 제품이 손상되거나 심각한 부상을 입을 수 있습니다.

균열이 있는 TV 스탠드



TV에 기대거나 매달리지 마십시오.

TV 스탠드가 넘어지거나 TV가 떨어져 사망이나 심각한 부상을 입을 수 있습니다.



어린이가 TV 스탠드에 올라가거나 선반 사이를 기어 다니지 못하게 하십시오.

어린이가 TV 스탠드에 올라가거나 선반 사이에 들어가면 유리가 깨지거나 TV 스탠드와 TV가 넘어져 심각한 부상을 입거나 사망할 수 있습니다.



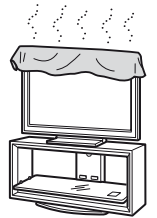
TV 스탠드 위에 올라서지 마십시오.

추락하거나 유리가 깨지면 심각한 부상을 입을 수 있습니다.



TV의 환기구를 막지 마십시오.

행거 등으로 환기구를 막으면 내부에 열이 축적되어 화재가 일어날 수 있습니다.



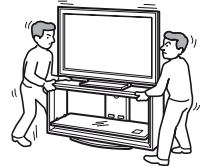
전원선이나 연결 케이블이 눌리지 않도록 하십시오.

- TV 스탠드 위에 TV를 설치할 때 전원선이나 연결 케이블이 눌리지 않도록 하십시오. 전원선이나 연결 케이블이 손상되어 화재나 감전 사고가 일어날 수 있습니다.
- TV 스탠드를 운반할 때에는 전원선이나 연결 케이블을 밟지 마십시오. 전원선이나 연결 케이블이 손상되어 화재나 감전 사고가 일어날 수 있습니다.



TV가 설치된 상태에서 TV 스탠드를 옮기거나, 연결된 기기를 내부에 넣은 채로 TV 스탠드를 옮기지 마십시오.

TV가 설치된 상태에서 TV 스탠드를 옮기는 경우 척추에 무리가 가거나, TV 스탠드가 넘어져서 부상을 당할 수 있습니다. 또는 내부에 들어 있던 연결된 기기가 떨어져서 선반 유리가 깨지거나 기타 재산상 손실을 입을 수 있습니다.



주의

만일 다음의 안전조치를 지키지 않을 경우 부상 또는 자산 손실을 입을 수 있습니다.

지정된 제품 이외의 기기를 설치하지 마십시오.

- 본 TV 스탠드는 지정된 제품용으로 제작되었습니다. 만일 지정된 제품 이외의 기기를 설치할 경우 제품이 떨어지거나 깨져서 부상을 입을 수 있습니다.
- 꽃병, 화분 등과 같은 물건을 TV 스탠드에 올려 놓지 마십시오.
- TV 스탠드를 개조하지 마십시오.
- TV 스탠드에 뜨거운 물건을 직접적으로 올려 놓지 마십시오. 열기 때문에 TV 스탠드가 변색되거나 변형이 일어날 수 있습니다.
- 유리가 깨질 수 있으므로 TV 스탠드에 물건을 직접적으로 올려 놓지 마십시오.

TV를 안전하게 고정하십시오.

제공된 고정 연결장치를 사용하여 TV를 TV 스탠드에 단단히 고정하십시오. TV를 안전하게 설치하지 않으면 TV 스탠드가 넘어져서 부상을 입을 수 있습니다.

유리에 압력을 가하거나 어떠한 충격도 주지 마십시오.

TV를 설치할 때 TV 스탠드를 손으로 누르지 마십시오. 스크류드라이버 등과 같은 단단한 물체로 TV 스탠드에 타격을 주지 마십시오. 유리가 깨져서 부상을 입을 수 있습니다.

TV 스탠드를 운반할 때

TV 스탠드를 혼자서 운반하거나 적절한 절차를 따르지 않고 운반할 경우 부상을 입을 수 있습니다. 사고를 예방하려면 아래의 조언을 따라 주십시오.

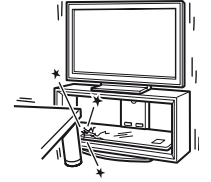
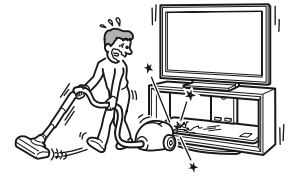
- TV, 연결된 기기 및 유리 선반을 분리해서 내려 놓은 후 2명 이상이 TV 스탠드를 옮기도록 하십시오.
- TV 스탠드를 끌지 마십시오. TV 스탠드의 바닥면이 떨어져 나가 바닥이 긁힐 수 있습니다.
- 바닥판에 손이나 발이 끼지 않도록 주의하여 주십시오.
- TV 스탠드를 옮길 때 유리 선반을 붙잡지 마십시오.

유리에 무리한 충격을 주지 마십시오.

본 TV 스탠드는 강화유리로 만들어졌지만 그래도 조심해야 합니다.

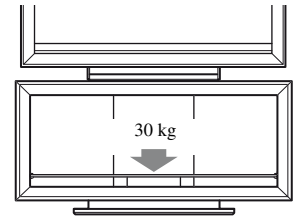
유리가 깨지면 유리 파편으로 인해 부상을 입을 수 있으므로 다음의 안전조치를 반드시 지켜 주십시오.

- 유리에 타격을 주거나 끝이 뾰족한 물체를 유리 위에 떨어뜨리지 마십시오. 과도한 충격을 피해 주십시오.
- 뾰족한 물체로 유리를 긁거나 찌르지 마십시오.
- 진공 청소기와 같은 단단한 물체로 유리의 모서리에 타격을 가하지 마십시오.



적재량에 관한 주의

그림에 표시된 것과 같이 각 선반에 대한 최대 중량을 초과하는 기기를 올려 놓지 마십시오. 선반이 파손될 수 있습니다.



설치에 관한 주의

- 조립할 때 바닥이 손상되는 것을 방지하기 위해 바닥에 포장재를 깔아 주십시오.
- TV 스탠드를 단단하고 평평한 바닥에 설치해 주십시오. 한쪽으로 각진 곳이나 기울어진 곳에는 TV 스탠드를 설치하지 마십시오. 이를 방지하려면 다음 안전조치를 따라 주십시오.
 - 직사광선이 비치는 곳이나 히터 근처에는 TV 스탠드를 설치하지 마십시오.
 - 고온다습한 곳이나 실외에는 TV 스탠드를 설치하지 마십시오.

사용에 관한 주의

TV 스탠드의 청결을 유지하기 위해 가끔 부드럽고 마른 천으로 닦아 주십시오. 찌든 때는 중성 세제를 천에 살짝 적셔서 제거할 수 있습니다. 제거한 후에는 반드시 그 부분을 부드럽고 마른 천으로 닦아 주십시오. 시너 혹은 벤젠과 같은 화학 물질 등은 TV 스탠드의 표면을 손상시킬 수 있으므로 사용하지 마십시오.

Sony 대리점용

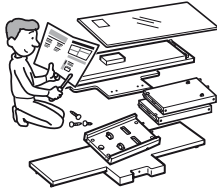
앞서 설명한 안전조치를 숙독해 주시고, 본 제품을 설치, 유지보수, 점검 및 수리할 때에는 안전에 각별한 주의를 기울여 주십시오.

제품을 설치할 때에는 반드시 2명 이상이 함께 작업하여 주십시오.

TV를 TV 스탠드에 설치할 때에는 반드시 2명 이상이 함께 작업하여 주십시오. 1명이 혼자 설치 작업을 하는 경우 사고나 부상을 입을 수 있습니다. 설치 중에는 어린이가 접근하지 못하게 하십시오.

다음 지침에 따라 TV 스탠드를 안전하게 조립하십시오.

나사를 단단히 조이지 않거나 나사가 빠질 경우 TV 스탠드가 넘어져서 제품이 손상되거나 부상을 입을 수 있습니다.



조립 중에 손이나 손가락을 다치지 않도록 주의하십시오.

TV 스탠드를 조립하고 TV를 설치할 때 손가락이나 손이 끼이지 않도록 주의하십시오.

다음 지침에 따라 TV를 안전하게 설치하십시오.

나사를 단단히 조이십시오. TV를 안전하게 설치하지 않으면 TV가 떨어져서 부상을 입을 수 있습니다.

1 단계: 부품 확인하기

이름	수량
상판	1
바닥판	1
면 기둥(L)*1	1
면 기둥(R)*1	1
뒷면 기둥	1
앞면 패널	1
유리 선반	1
나사(+PWH5 × 25)	a*4
나사(+K4 × 20) + 슬리브	b*4
캠고정 나사	c*4
나사(+P4 × 15)	d*4
고정 볼트	e*4
나사 캡	f*4
지지 벨트	g*4
나사(M6 × 18)	
나무 나사(M3.8 × 20)	
스피커 고리(L)	1
스피커 고리(R)	1
종이 템플릿	4*2
	3*3
테이프	1

*1 위 그림은 SU-FL300M의 그림입니다. SU-FL300L은 이것과 다릅니다. SU-FL300L의 경우 측면 기둥 옆면에 2개의 홈이 있습니다.

*2 SU-FL300M의 경우 네 개의 종이 템플릿이 제공됩니다.

*3 SU-FL300L의 경우 세 개의 종이 템플릿이 제공됩니다.

*4 부품 봉지에는 알파벳 순으로 라벨이 붙어 있습니다.

조립에 앞서 위에 나와 있는 나사들을 고정시킬 십자 드라이버를 준비하십시오.

2 단계: TV 스탠드 조립하기

경고

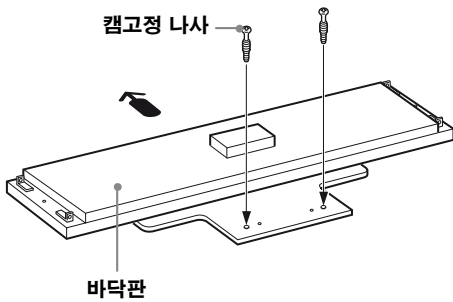
기기 사이 또는 아래에서 전원선이 눌리는 경우 단락이나 감전 사고가 일어날 수 있습니다. 전원선이나 연결 케이블에 발부리가 걸리면 TV 스탠드가 넘어져서 부상을 입을 수 있습니다.

TV를 설치하기 전에 설치할 위치를 정하고 TV 스탠드를 내려 놓으십시오.

TV가 무거우므로 설치하기 전에 설치할 위치를 정하고 그 자리에서 TV 스탠드를 조립하십시오.

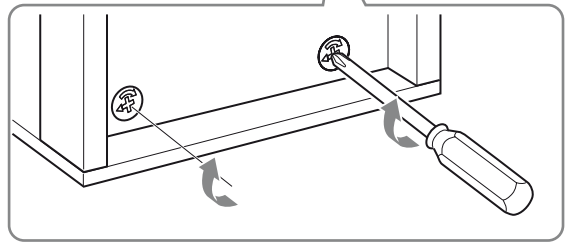
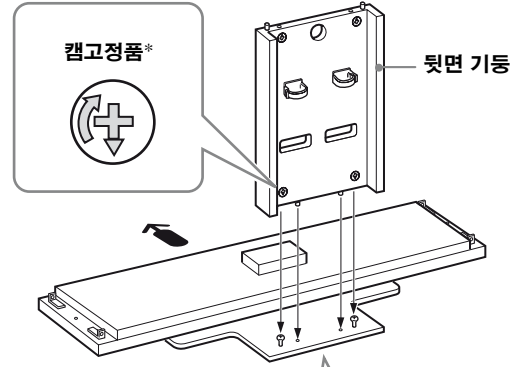
1 뒷면 기둥을 바닥판에 부착합니다.

① 제공된 2개의 캡고정 나사를 바닥판에 조입니다.



← 화살표 방향은 TV 스탠드의 앞면을 나타냅니다.

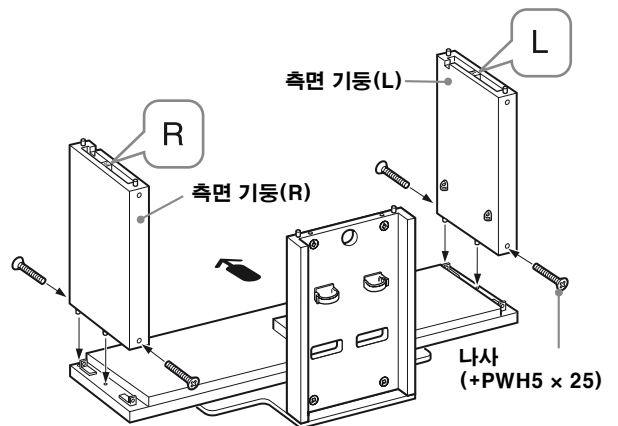
② 뒷면 기둥을 바닥판에 부착하고 스크루드라이버를 사용해서 2개의 캡고정품을 고정합니다.



* 뒷면 기둥을 부착하기 전에 ▽ 표시가 아래를 향하고 있는지 확인하십시오.

2 측면 기둥을 바닥판에 부착합니다.

제공된 4개의 나사(+PWH5 × 25)로 측면 기둥과 바닥판을 고정합니다.

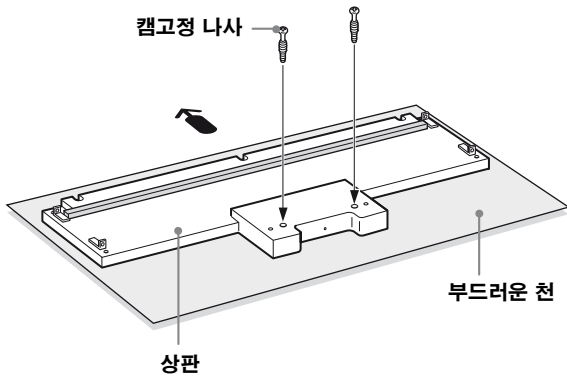


주의점

왼쪽 기둥과 오른쪽 기둥은 서로 다릅니다. 기둥을 올바른 방향으로 설치하십시오.

3 상판을 부착합니다.

- 1 제공된 캠고정 나사 2개를 상판에 고정합니다.

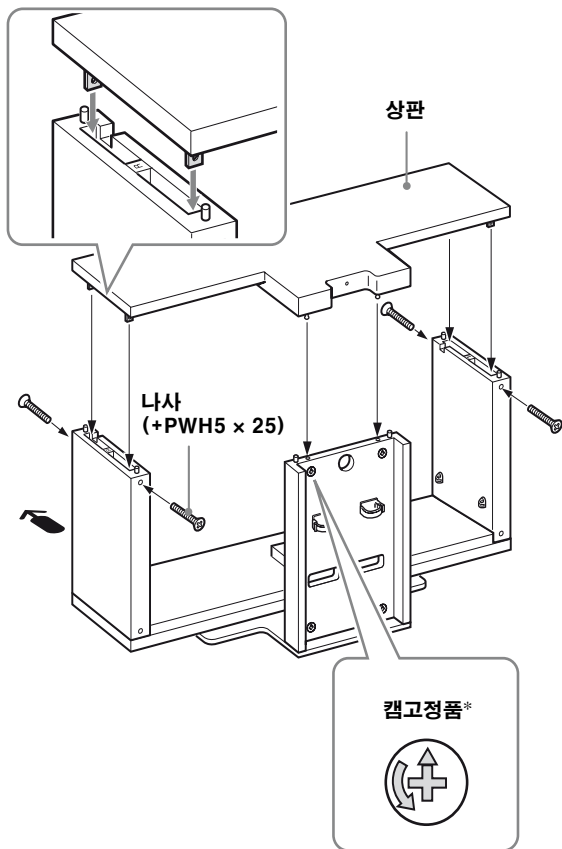


위 그림은 SU-FL300M을 예로 보여준 것입니다. SU-FL300L의 경우 상판에 2개의 강화 막대가 있습니다.

주의점

상판의 매끄러운 표면이 손상되지 않도록 작업면을 청소하고 그 위에 부드러운 천을 깔아 놓으십시오.

- 2 상판 양쪽에 있는 고정 브래킷을 측면 기둥에 맞춰서 끼웁니다.
- 3 제공된 4개의 나사(+PWH5 × 25)로 측면 기둥을 고정합니다. 그리고 나서 뒷면 기둥의 뒤쪽에 나머지 2개의 캠고정품을 고정합니다.



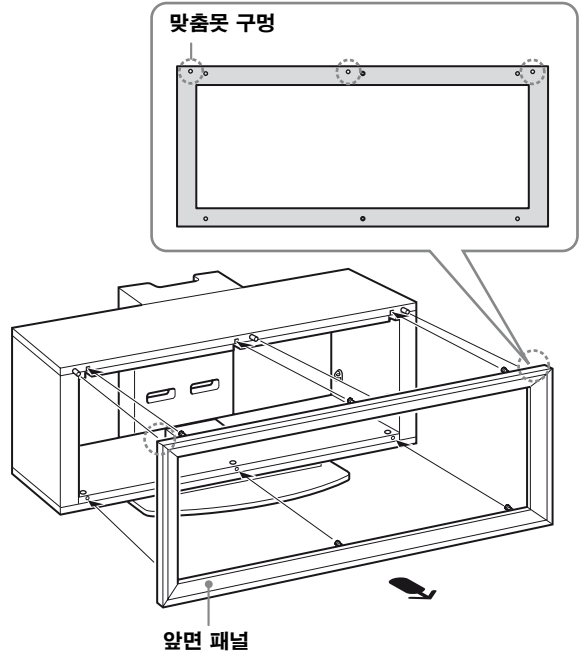
* 상판을 부착하기 전에 △ 표시가 위를 향하고 있는지 확인하십시오.

주의점

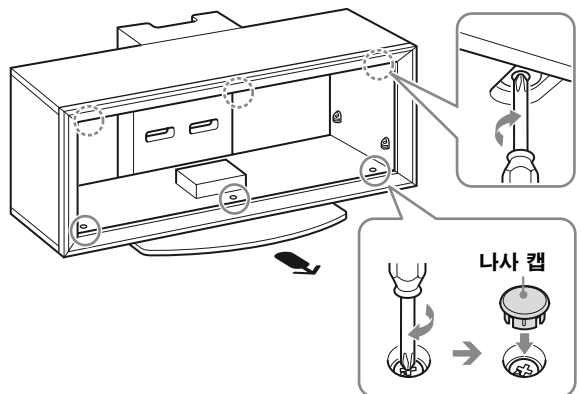
상판을 부착할 때 손가락이 끼이지 않도록 주의하십시오.

4 TV 스탠드에 앞면 패널을 부착합니다.

- 1 TV 스탠드에 있는 3개의 맞춤못과 앞면 패널에 있는 3개의 구멍을 맞춥니다.



- 2 상판과 바닥판에 있는 6개의 캠고정 나사를 시계 방향으로 돌려 앞면 패널을 고정합니다. 그런 다음 제공된 세 개의 나사 캡을 바닥에 있는 세 개의 나사에 부착합니다.



주의점

앞면 패널을 올바른 방향으로 부착하십시오.

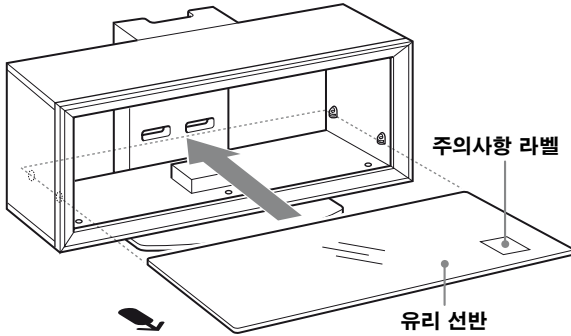
(계속)

7 (KR)

5 유리 선반을 장착합니다.

홈 시어터 시스템을 스탠드에 부착할 경우에는 먼저 스피커 고리를 부착하여 주십시오. (11페이지의 "센터 스피커 설치하기(홈 시어터 시스템 전용)"를 참조하여 주십시오.)

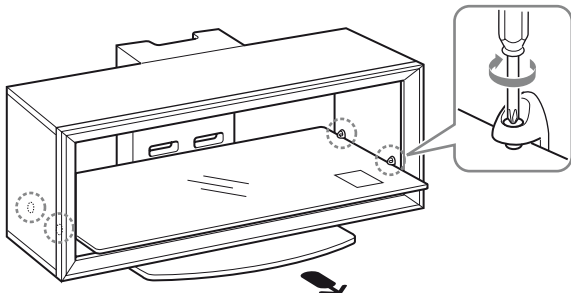
- 1 유리 선반이 뒷면 기둥에 닿을 때까지 끝까지 밀어 넣습니다.



주의점

그림과 같이 주의사항 라벨이 붙어 있는 면을 오른쪽 앞으로 오게 하여 유리 선반을 TV 스탠드에 장착하십시오.

- 2 측면 기둥에 있는 4개의 나사를 조여 유리 선반과 TV 스탠드를 고정합니다.



3 단계: TV 설치 준비하기

1 슬리브를 상판에 부착합니다.

제공된 나사(+K4 x 20)를 사용하여 슬리브를 부착하십시오.

2페이지에 지정되지 않은 모델의 경우:

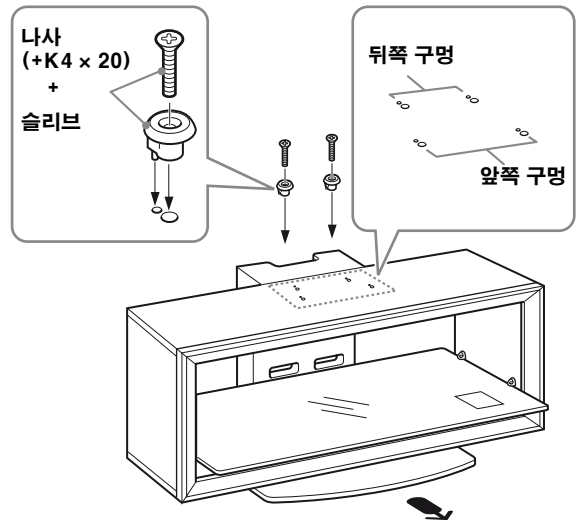
앞쪽 구멍을 사용합니다.

2페이지에 지정된 모델의 경우:

주의점

TV가 회전되는 모델인지 여부는 TV의 사용설명서를 확인하십시오.

* 회전 기능을 사용하면 TV의 시야각을 좌우로 조절할 수 있습니다.



2 제공된 종이 템플릿을 상판에 붙입니다.

- 1 제공된 종이 템플릿을 선택하여 종이 템플릿의 오른쪽 모서리를 상판의 오른쪽 모서리에 맞춥니다.

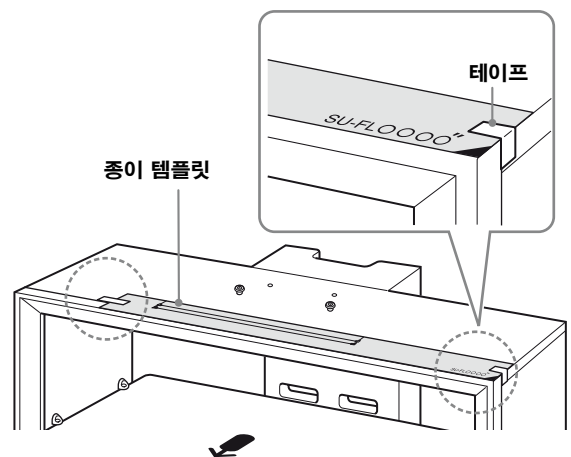
2페이지에 지정되지 않은 모델의 경우:

TV와 함께 제공된 설명서를 참조하여 반드시 TV에 해당하는 종이 템플릿을 선택하도록 합니다.

2페이지에 지정된 모델의 경우:

TV 화면 크기에 해당하는 검정색 인쇄가 있는 종이 템플릿을 선택합니다.

- 2 제공된 테이프를 사용하여 종이 템플릿을 상판에 붙입니다.

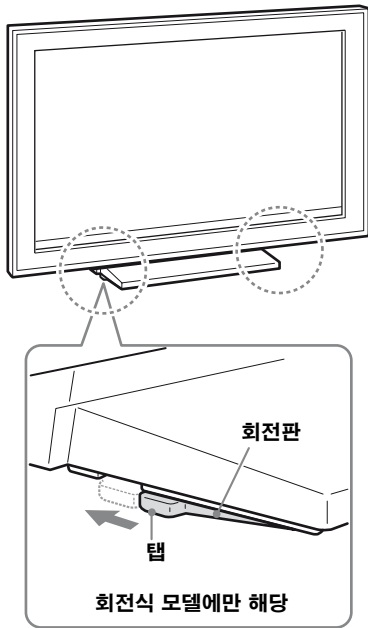


4 단계: TV 설치하기

아직 TV를 장착하지 않았다면 탁상용 스탠드에 장착합니다. 2페이지에 지정된 회전식 모델의 경우에만 4 단계의 1번 절차를 따르십시오.

1 회전판의 위치를 가운데로 오게 합니다 (회전식 모델에만 해당).

TV를 설치하기 전에 회전판의 탭과 탁상용 스탠드의 홈을 맞춥니다.

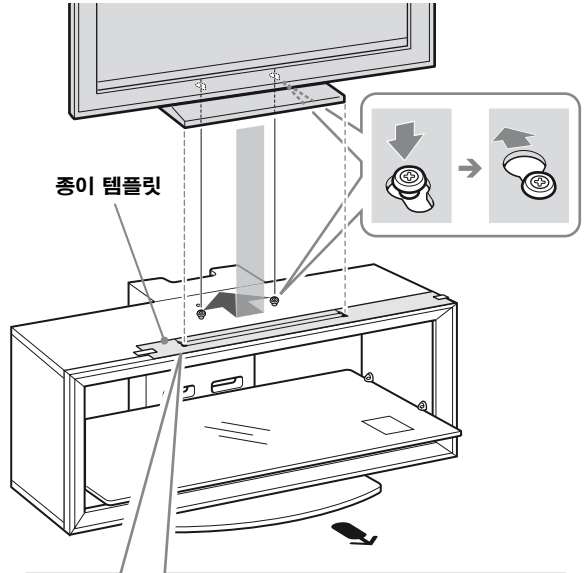


경고

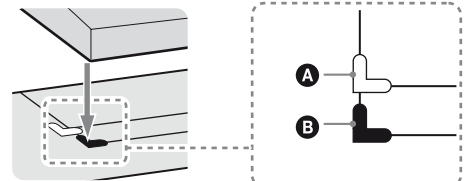
회전판을 올바르게 조정하지 않으면 TV가 단단히 설치되지 않아 떨어질 수 있습니다.

2 TV 스탠드에 TV를 설치합니다.

- 1 탁상용 스탠드의 바닥에 있는 구멍과 3단계의 1번에서 부착한 슬리브가 나란히 되도록, 탁상용 스탠드의 운곽을 TV 화면 크기의 운곽과 종이 템플릿의 모서리 표시에 맞춥니다.
- 2 TV를 뒤로 밀어 제자리에 고정합니다.
- 3 상판에서 종이 템플릿을 제거합니다.



2페이지에 지정된 회전식 모델의 경우에만 해당



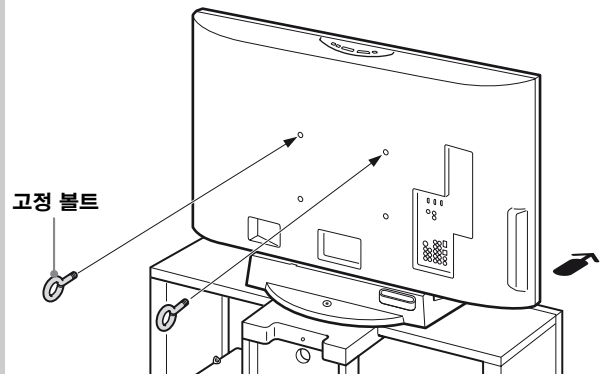
- A 흰색 모서리 표시는 회전식 모델용입니다.
- B 검은색 모서리 표시는 비회전식 모델용입니다.

주의점

37/40 인치 사용자의 경우 TV가 회전식 모델이건 아닌건 탁상용 스탠드를 검은색 모서리 표시에 맞추십시오. (37/40 인치의 경우 종이 템플릿에 흰색 모서리 표시가 없습니다.)

3 고정 볼트를 부착합니다.

제공된 2개의 고정 볼트를 TV 뒤쪽에 고정합니다.



주의점

TV를 고정하기 위한 2개의 고정 볼트를 사용하지 않으면 TV가 떨어져 부상을 입을 수 있습니다.

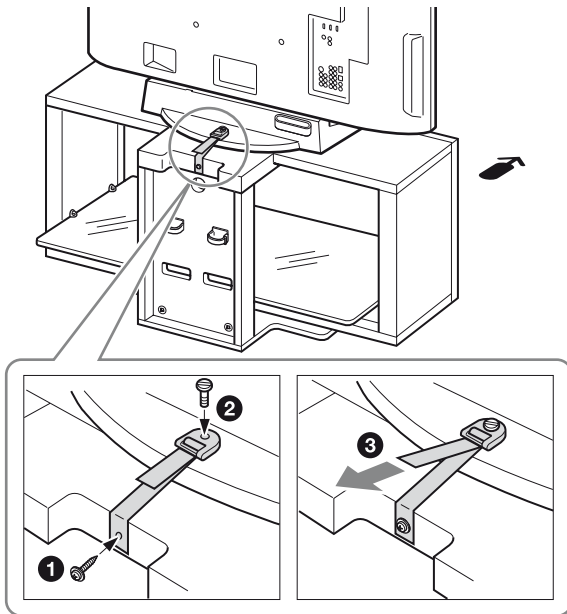
5 단계: 넘어짐 방지를 위한 안전조치

경고

TV 스탠드가 넘어져서 부상을 당하거나 손상을 입지 않으려면 안전장치를 마련하여 주십시오.

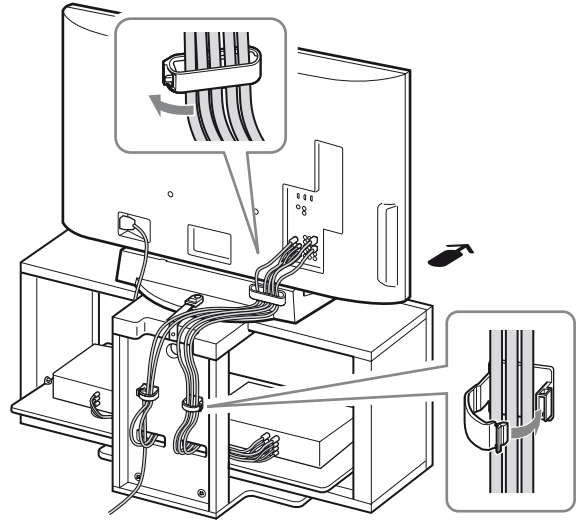
1 지지 벨트를 부착합니다.

- ❶ 스크루드라이버를 사용해서 제공된 나무 나사로 지지 벨트를 TV 스탠드에 조입니다.
- ❷ 지지 벨트를 탁상용 스탠드에 부착하고 동전 등을 사용해서 제공된 고정 나사로 벨트를 조입니다.
- ❸ 탁상용 스탠드를 잡고 지지 벨트를 조여서 길이를 조정합니다.



2 케이블을 연결합니다.

케이블 홀더와 뒷면 기둥 구멍을 통과하도록 케이블을 빼냅니다.



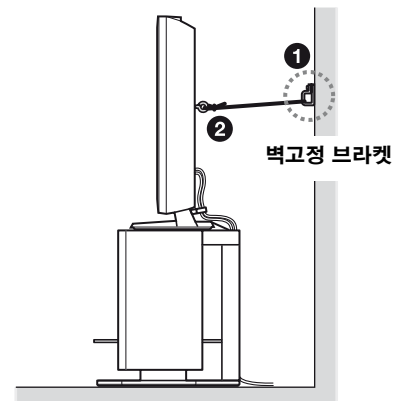
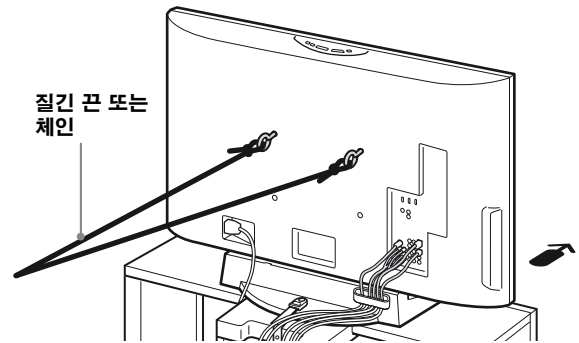
주의점

케이블이 제대로 설치되지 않으면 케이블이 눌리거나 손상되어 감전 사고 등이 발생할 수 있습니다.

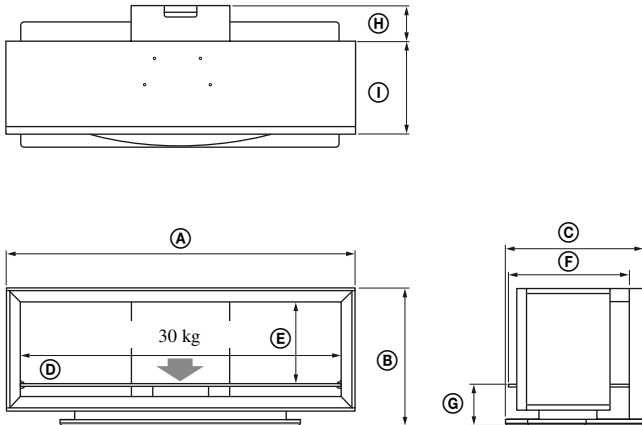
3 TV를 벽에 고정합니다.

시판되는 질긴 끈 또는 체인과 벽고정 브라켓을 미리 준비하십시오.

- ❶ 벽고정 브라켓을 단단한 벽에 고정합니다.
- ❷ 고정 볼트의 양쪽 구멍으로 끈이나 체인을 통과시킨 다음, 끈이나 체인의 다른 쪽 끝을 벽고정 브라켓에 단단히 묶습니다.



제품 사양



적재량에 관한 주의

우리 선반에 선반의 최대 중량을 초과하는 기기를 올려 놓지 마십시오. 깨지거나 부상을 입을 수 있습니다.

		SU-FL300M	SU-FL300L
외형치수: mm	Ⓐ	1,035	1,280
	Ⓑ	503	503
	Ⓒ	485	518
	Ⓓ	895	1,140
	Ⓔ	303	303
	Ⓕ	418	468
	Ⓖ	146	146
	Ⓗ	120	130
	Ⓘ	272	340
중량:		35 kg	52 kg

디자인 및 제품 사양은 예고 없이 변경될 수 있습니다.

센터 스피커 설치하기 (홈 시어터 시스템 전용)

센터 스피커 모델 SS-CT71/CNP2200은 다음과 같은 홈 시어터 시스템 모델용입니다:

DAV-HDX665 HT-SF2000
 DAV-HDX466 HT-SF1200
 DAV-HDX465 HT-SF1100
 DAV-HDX267W DAV-DZ750K
 DAV-HDX266 DAV-DZ630
 DAV-HDX265 DAV-DZ556KB
 DAV-HDX235 DAV-DZ555K
 DAV-DZ555M
 DAV-DZ530
 DAV-DZ250KW
 DAV-DZ250K
 DAV-DZ250M
 DAV-DZ231
 DAV-DZ230
 DAV-DZ151KB
 DAV-DZ150K

센터 스피커 모델 SS-CT72/CT74는 다음과 같은 홈 시어터 시스템 모델용입니다:

DAV-HDX900W DAV-DZ1000
 DAV-HDX501W DAV-DZ850KW
 DAV-HDX500 DAV-DZ850M
 DAV-DZ830W
 DAV-DZ531W

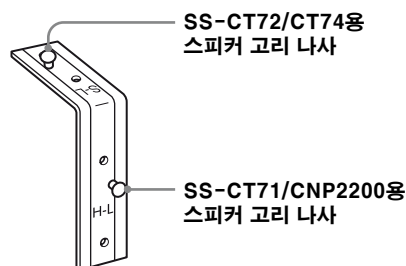
주의점

- 위 제품은 예고 없이 품질 또는 단종될 수 있습니다.
- 특정 모델은 일부 지역에서 사용하지 못할 수도 있습니다.

스피커 고리를 부착하기 전에:

SS-CT71/CNP2200의 경우 H-L/H-R 표시가 앞쪽을 향해야 합니다. (H-L은 왼쪽용이고, H-R은 오른쪽용입니다.)

SS-CT72/CT74의 경우 S-L/S-R 표시가 앞쪽을 향해야 합니다. (S-L은 왼쪽용이고, S-R은 오른쪽용입니다.)

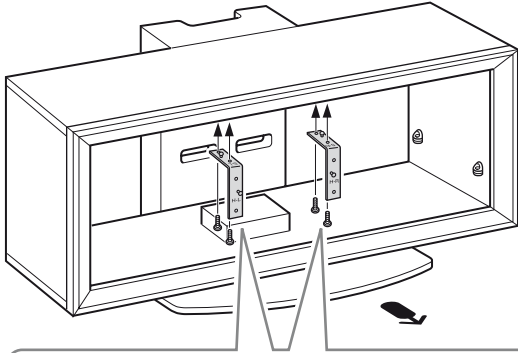


(계속)

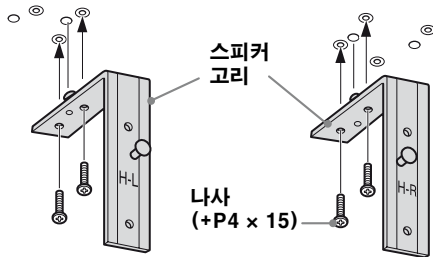
11 (KR)

1 스피커 고리를 부착합니다.

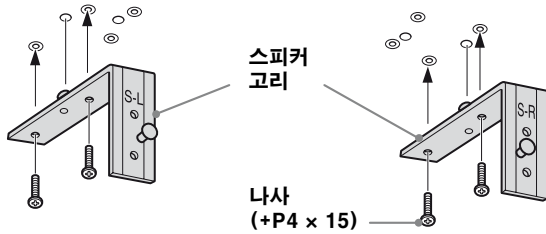
제공된 나사(+P4 x 15)(오른쪽/왼쪽에 각각 2개)로 스피커 고리를 상판의 양쪽 아래에 고정합니다.



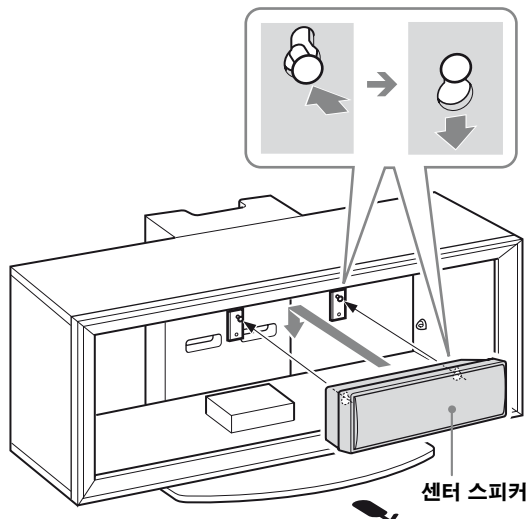
센터 스피커: SS-CT71/CNP2200



센터 스피커: SS-CT72/CT74

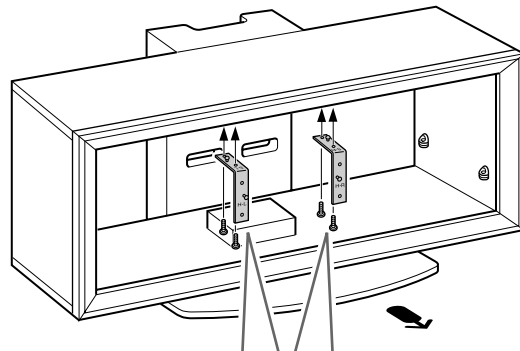


2 그림과 같이 센터 스피커를 고리 나사에 겁니다.

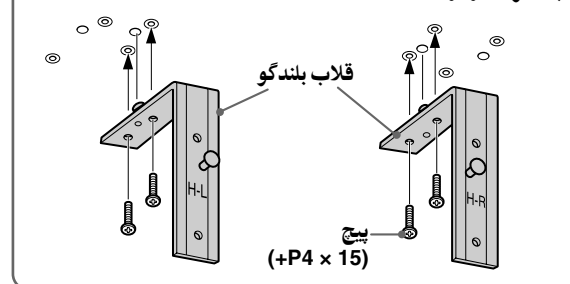


قلاب بلندگو را وصل کنید

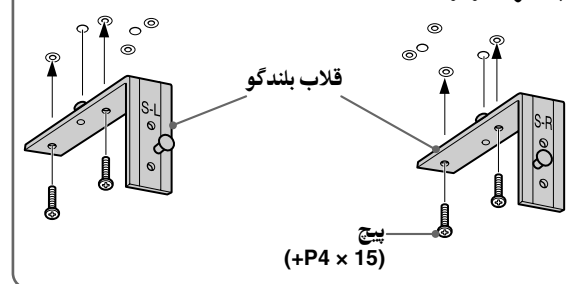
هر یک از قلاب های بلندگو را با پیچ های ضمیمه شده (+P4 × 15) (دو پیچ، برای سمت چپ/راست) به سمت زیرین تخته بالایی ببندید.



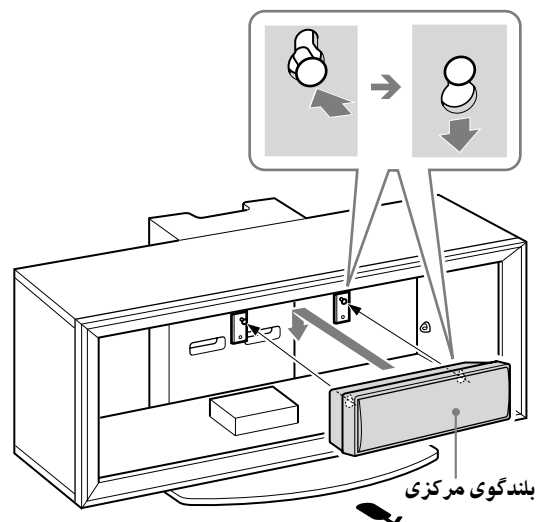
بلندگوی مرکزی: SS-CT71/CNP2200



بلندگوی مرکزی: SS-CT72/CT74



2 بلندگوی مرکزی را همانطور که نشان داده شده است به پیچ های قلاب بیاویزید.



نصب بلندگوی مرکزی (تنها برای سیستم های سینمای خانگی)

مدل بلندگوی مرکزی SS-CT71/CNP2200 برای مدل های سیستم سینمای خانگی زیر می باشد:

HT-SF2000	DAV-HDX665
HT-SF1200	DAV-HDX466
HT-SF1100	DAV-HDX465
DAV-DZ750K	DAV-HDX267W
DAV-DZ630	DAV-HDX266
DAV-DZ556KB	DAV-HDX265
DAV-DZ555K	DAV-HDX235
DAV-DZ555M	
DAV-DZ530	
DAV-DZ250KW	
DAV-DZ250K	
DAV-DZ250M	
DAV-DZ231	
DAV-DZ230	
DAV-DZ151KB	
DAV-DZ150K	

مدل بلندگوی مرکزی SS-CT72/CT74 برای مدل های سیستم سینمای خانگی زیر می باشد:

DAV-DZ1000	DAV-HDX900W
DAV-DZ850KW	DAV-HDX501W
DAV-DZ850M	DAV-HDX500
DAV-DZ830W	
DAV-DZ531W	

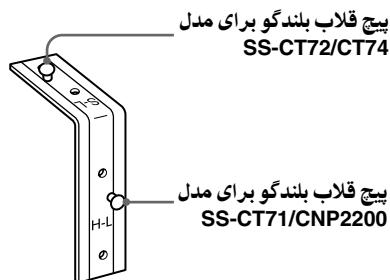
نکات

- محصولات بالا بدون اطلاع در معرض تغییر بوده، ممکن است موجود نباشند، یا دیگر فروخته نشوند.
- برخی از مدل ها ممکن است در بعضی از مناطق موجود نباشند.

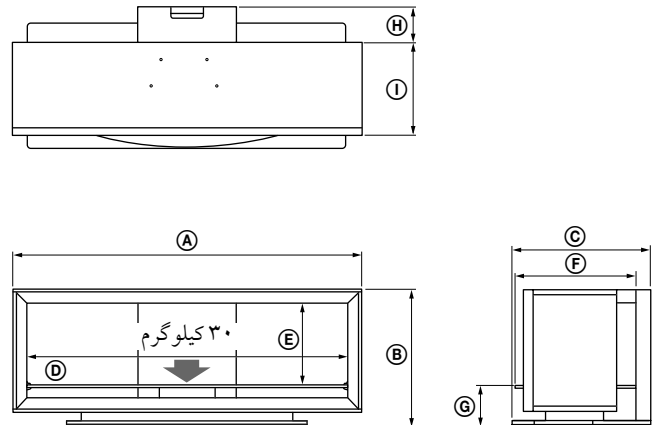
پیش از وصل کردن قلاب بلندگو:

برای مدل SS-CT71/CNP2200، علامت های H-L/H-R باید رو به بیرون باشند. (H-L برای سمت چپ، و H-R برای سمت راست می باشد.)

برای مدل SS-CT72/CT74، علامت های S-L/S-R باید رو به بیرون باشند. (S-L برای سمت چپ، و S-R برای سمت راست می باشد.)



مشخصات فنی



نکته در مورد ظرفیت حمل

هیچ تجهیزاتی که از حداکثر وزن مجاز برای طبقات شیشه ای فراتر می رود را قرار ندهید از آنجائیکه ممکن است بشکند و باعث آسیب شود.

SU-FL300L	SU-FL300M		
1,280	1,035	(A)	ابعاد: میلیمتر
503	503	(B)	
518	485	(C)	
1,140	895	(D)	
303	303	(E)	
468	418	(F)	
146	146	(G)	
130	120	(H)	
340	272	(I)	
52 کیلو گرم	35 کیلو گرم		وزن:

طرح و مشخصات بدون اطلاع در معرض تغییر هستند.

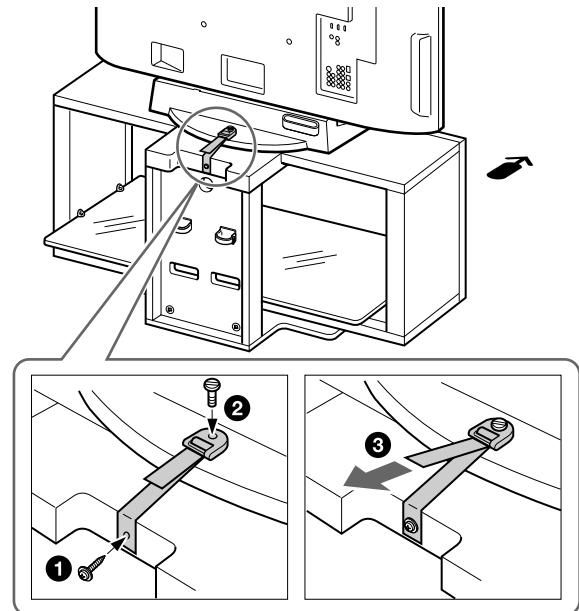
مرحله ۵: اقدامات ایمنی برای جلوگیری از واژگون شدن

هشدار

حتما اقدامات لازم را برای جلوگیری از واژگون شدن پایه تلویزیون، که منجر به آسیب یا صدمه احتمالی می شود انجام دهید.

1 بند پشتیبان را وصل کنید.

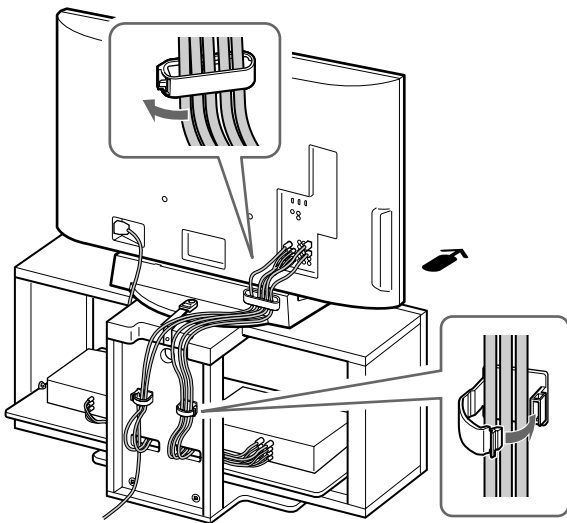
- 1 بند پشتیبان را با پیچ چوبی ضمیمه شده و با استفاده از پیچ گوشتی به پایه تلویزیون ببندید.
- 2 بند پشتیبان را به پایه رومیزی وصل کنید، و بند با پیچ محکم کننده ضمیمه شده را با استفاده از یک سکه، و غیره ببندید.
- 3 با سفت کردن بند پشتیبان در حالیکه پایه رومیزی را نگاه داشته اید، طول را تنظیم کنید.



2

کابل ها را وصل کنید.

کابل ها را از میان نگهدارنده کابل و حفره های ستون پشتی عبور دهید.

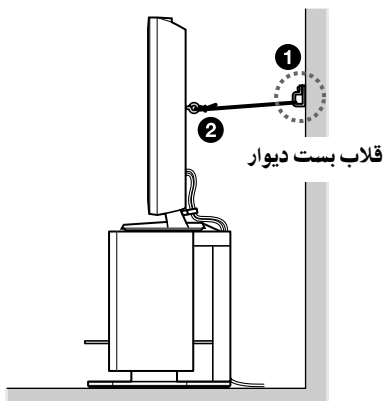
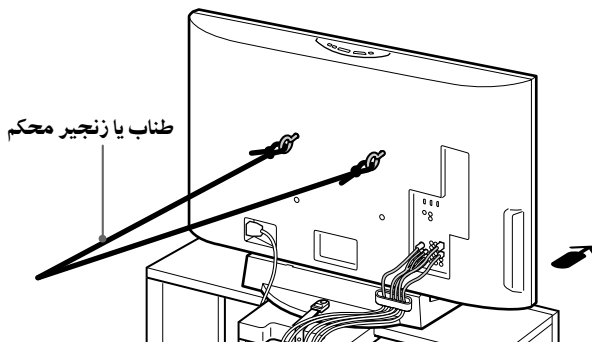


نکته

در صورتی که کابل ها بدرستی نصب نشده باشند، ممکن است تحت فشار قرار گرفته و صدمه ببینند، و می توانند منجر به برق گرفتگی، و غیره شوند.

تلویزیون را به دیوار ببندید.

- یک طناب یا زنجیر محکم موجود در بازار و قلاب بست دیوار برای این منظور آماده کنید.
- 1 قلاب بست دیوار را به یک دیوار محکم وصل کنید.
 - 2 طناب یا زنجیر را از میان هر دو حفره پیچ های لنگری عبور دهید و سپس سر دیگر طناب یا زنجیر را به قلاب بست دیوار سفت کنید.



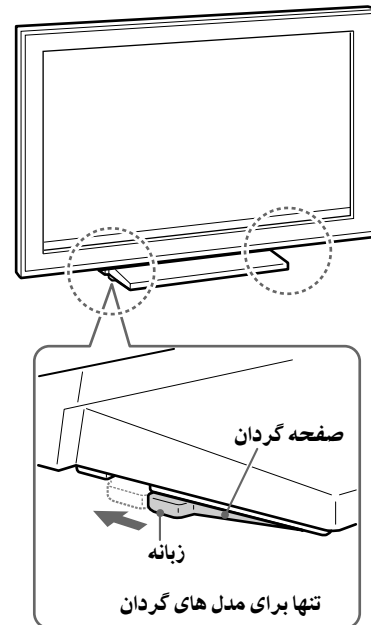
3

مرحله ۴: تلویزیون را نصب کنید

تلویزیون خود را به پایه رومیزی در صورتی که از قبل وصل نشده است، وصل کنید.
تنها برای مدل های نوع گردان در صفحه ۲، روند بخش ۱ از مرحله ۴ را دنبال کنید.

1 موقعیت صفحه گردان را نسبت به مرکز تنظیم کنید (تنها برای مدل های گردان).

پیش از نصب تلویزیون، زبانه صفحه گردان را با شکاف پایه رومیزی تطبیق دهید.

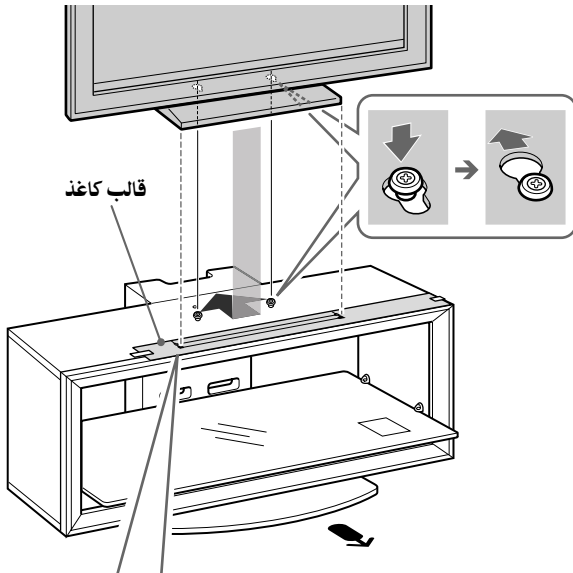


هشدار

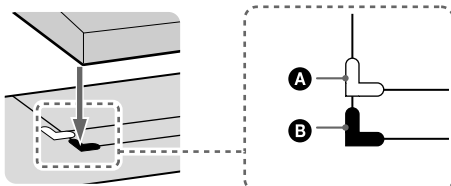
در صورتی که صفحه گردان بطور صحیح تنظیم نشده باشد، تلویزیون به محکمی نصب نخواهد شد و ممکن است سقوط کند.

2 تلویزیون را به پایه تلویزیون نصب کنید.

- 1 حاشیه پایه رومیزی را با حاشیه اندازه صفحه تلویزیون و علامت های گوشه در قالب کاغذ تطبیق دهید تا حفره ها در پایین پایه رومیزی با مهره هایی که در پنخس ۱ از مرحله ۳ وصل شده اند تطبیق پیدا کنند.
- 2 تلویزیون را برای قفل شدن در جای خود حرکت دهید.
- 3 قالب کاغذ را از تخته بالایی خارج کنید.



تنها برای مدل های نوع گردان مشخص شده در صفحه ۲



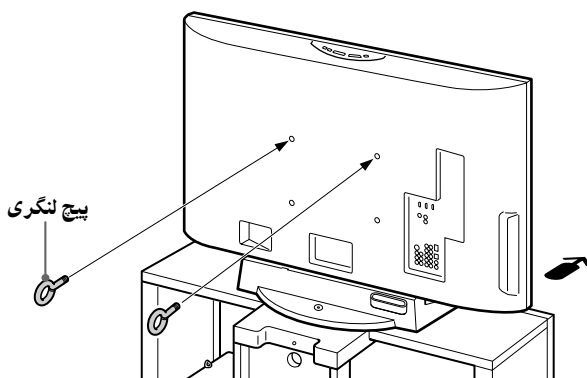
- A علامت گوشه سفید برای مدل های گردان.
- B علامت گوشه سیاه برای مدل های غیر گردان.

نکته

برای کاربرانی که از 37/40 اینچی استفاده می کنند، خواه تلویزیون از نوع گردان باشد یا خیر، پایه رومیزی را با علامت سیاه در گوشه تطبیق دهید. (برای مدل های 37/40 اینچی علامت سفید در گوشه کاغذ وجود ندارد.)

3 پیچ های لنگری را وصل کنید.

دو پیچ لنگری ضمیمه شده را در پشت تلویزیون محکم کنید.



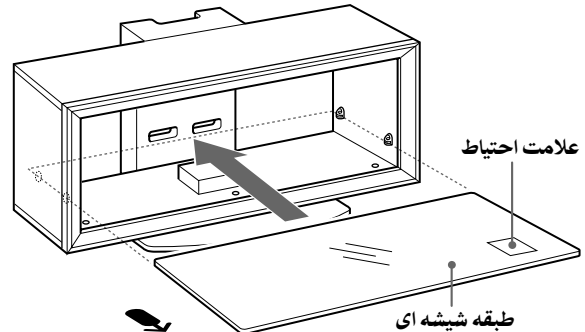
نکته

در صورتی که دو پیچ لنگری برای محکم کردن تلویزیون مورد استفاده قرار نگیرند، آن ممکن است سقوط کرده و باعث آسیب شود.

طبقه شیشه ای را وصل کنید.

اگر سیستم سینمای خانگی را به پایه وصل کنید، نخست قلاب های بلندگو را وصل کنید. (به "نصب بلندگوی مرکزی (تنها برای سیستم های سینمای خانگی)" در صفحه ۱۱ مراجعه کنید.)

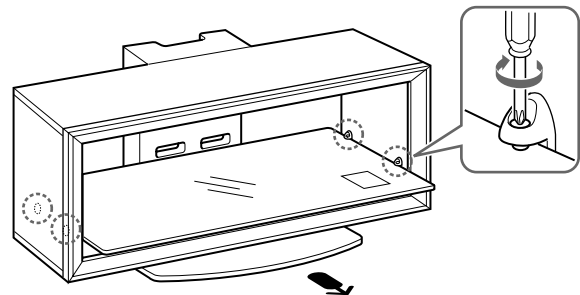
۱ طاقچه شیشه ای را کامل وارد تا به ستون پشتی برسد.



نکته

طبقه شیشه ای را به پایه تلویزیون با علامت احتیاط رو به سمت جلوی راست، همانطور که در شکل نشان داده شده وصل کنید.

۲ چهار پیچ در ستون های کناری را برای محکم کردن طبقه شیشه ای به پایه تلویزیون ببندید.



مرحله ۳: آماده سازی برای نصب تلویزیون

مهره ها را به تخته بالایی وصل کنید.

مهره ها را با پیچ های ضمیمه شده (+K4 x 20) وصل کنید.

برای مدل های مشخص نشده در صفحه ۲:

از حفره های جلویی استفاده کنید.

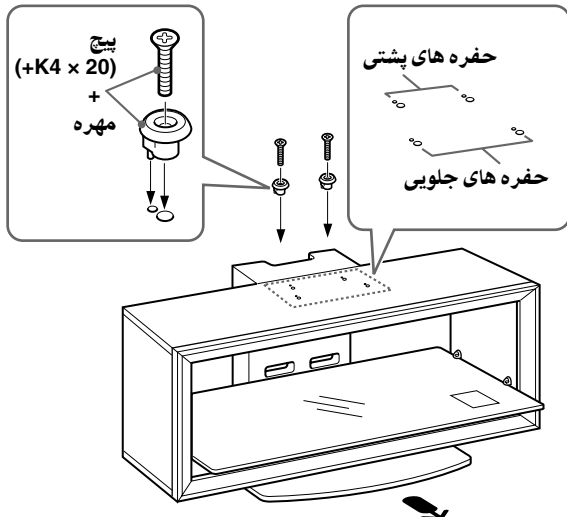
برای مدل های مشخص شده در صفحه ۲:

برای مدل های نوع گردان*، از حفره های پشتی استفاده کنید؛ برای مدل های نوع غیر گردان، از حفره های جلویی استفاده کنید.

نکته

دستورالعمل های عملیاتی تلویزیون خود را برای آگاهی از اینکه آیا تلویزیون شما قابلیت چرخش دارد یا نه بازبینی نمایید.

* عملکرد گردان به شما امکان می دهد زاویه مشاهده تلویزیون (چپ و راست) را تنظیم کنید.



قالب کاغذ ضمیمه شده را به تخته بالایی بچسبانید.

۱ قالب کاغذ ضمیمه شده را انتخاب کنید و لبه های گوشه سمت راست قالب کاغذ را با گوشه سمت راست تخته بالایی تطبیق دهید.

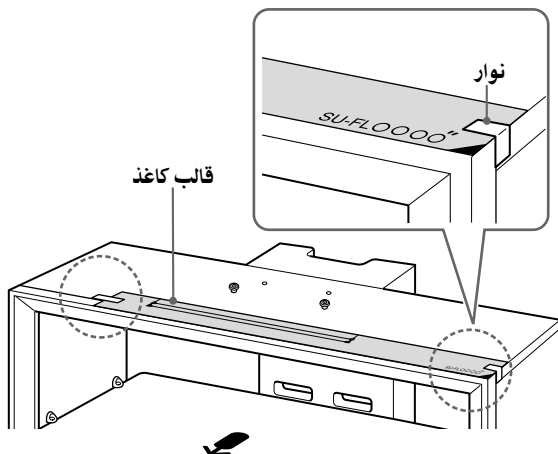
برای مدل های مشخص نشده در صفحه ۲:

حتما به بروشور ضمیمه شده به تلویزیون خود مراجعه نمایید و قالب کاغذ را مطابق با تلویزیون خود انتخاب کنید.

برای مدل های مشخص شده در صفحه ۲:

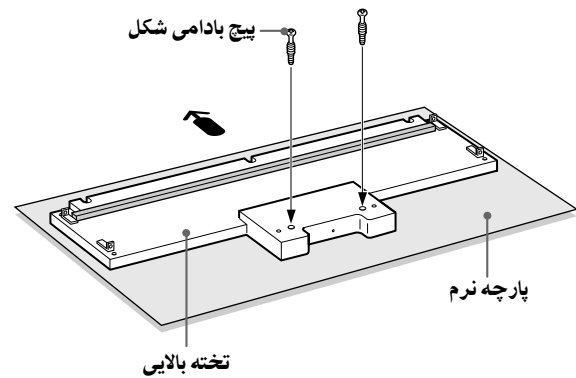
قالب کاغذ به رنگ سیاه را مطابق با اندازه صفحه تلویزیون انتخاب کنید.

۲ قالب کاغذ را با نوار ضمیمه شده به تخته بالایی بچسبانید.



تخته بالایی را وصل کنید.

1 دو پیچ بادامی شکل ضمیمه شده را به تخته بالایی ببندید.



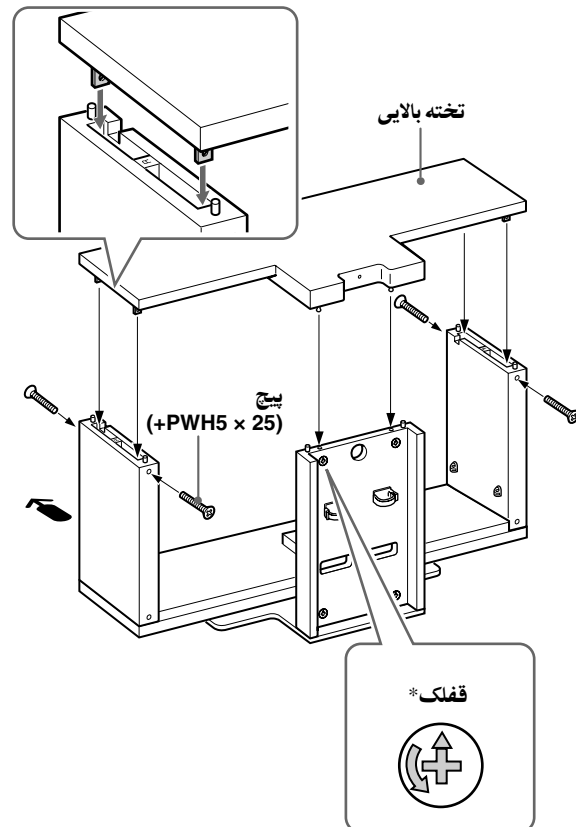
تصویر نشان داده شده در بالا برای مدل SU-FL300M به عنوان مثال می باشد. برای مدل SU-FL300L، دو میله تقویت کننده روی تخته بالایی قرار دارند.

نکته

برای جلوگیری از صدمه دیدن سطح براق تخته بالایی، حتما سطح کاری را تمیز کرده و یک پارچه نرم بر روی آن قرار دهید.

2 قلاب های محکم کننده در هر دو طرف تخته بالایی را با ستون های کناری تطبیق داده و وارد کنید.

3 ستون های کناری را با چهار پیچ ضمیمه شده (+PWH5 × 25) محکم کنید. دو قفلک باقیمانده در پشت ستون پشتی را محکم کنید.



* قبل از اتصال تخته بالایی، اطمینان حاصل کنید که علامت Δ به سمت بالا است.

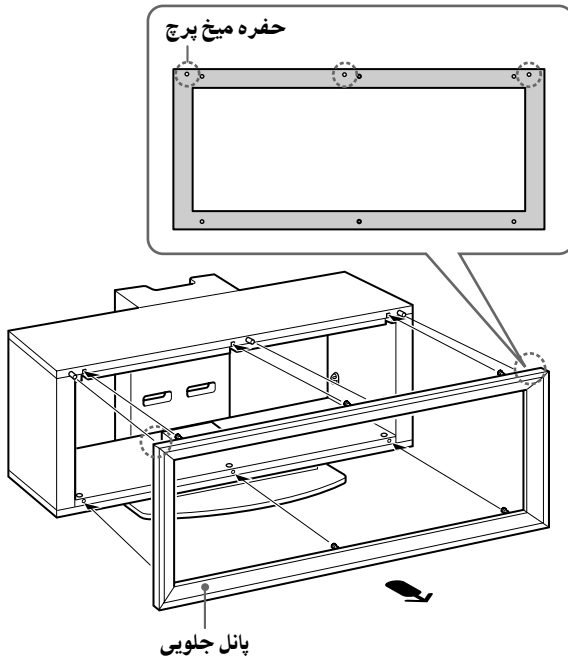
نکته

مراقب باشید هنگام وصل کردن تخته بالایی به انگشتان خود فشار نیاورید.

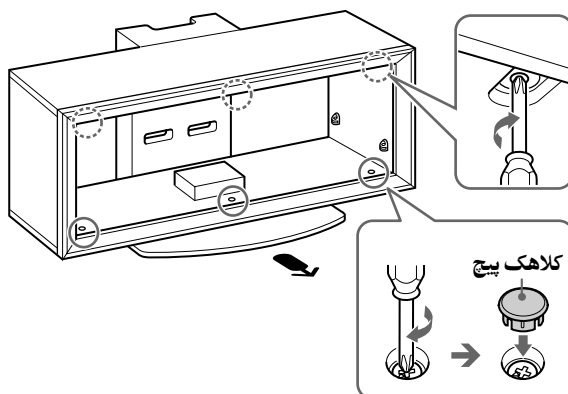
4

پانل جلویی را به پایه تلویزیون وصل کنید.

1 سه میخ پرچ پایه تلویزیون را با سه حفره پانل جلویی تطبیق دهید.



2 شش پیچ بادامی شکل در تخته های بالایی و تکیه گاه را در جهت عقربه های ساعت بچرخانید تا پانل جلویی را محکم کنید. سپس، سه کلاهک پیچ ضمیمه شده را به سه پیچ زیرین وصل کنید.



نکته

حتما پانل جلویی را در جهت صحیح وصل کنید.

مرحله ۲: پایه تلویزیون را سوار کنید

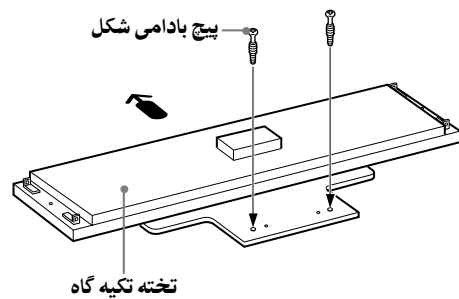
هشدار

اگر شما اجازه دهید سیم برق زیر یا میان تجهیزات تحت فشار قرار گیرد، این ممکن است منجر به ایجاد یک مدار کوتاه یا برق گرفتگی شود. اگر شما بر روی سیم برق یا کابل اتصال تلو بخورید، ممکن است پایه تلویزیون واژگون شده و باعث آسیب شود.

در مورد مکان نصب تصمیم گیری کنید و قبل از نصب تلویزیون پایه تلویزیون را پایین بگذارید.

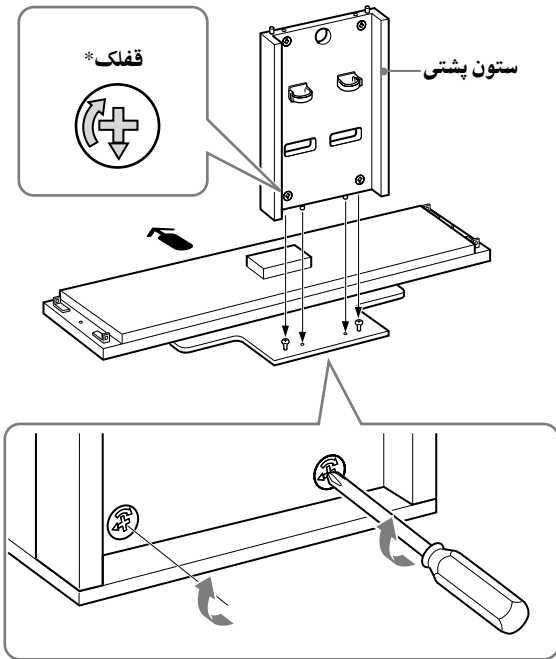
از آنجائیکه تلویزیون سنگین است، توصیه می شود که شما ابتدا در مورد مکان نصب تصمیم گیری کنید و پایه تلویزیون را در آنجا سوار کنید.

1 ستون پشتی را به تخته تکیه گاه وصل کنید.
1 دو پیچ بادامی شکل ضمیمه شده را به تخته تکیه گاه ببندید.



جهت پیکان رو به سمت جلوی پایه تلویزیون قرار دارد.

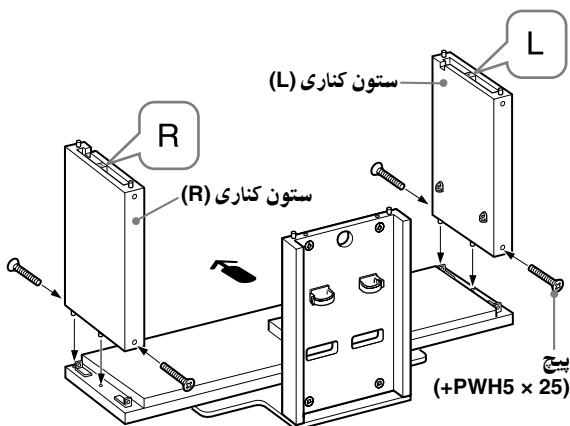
2 ستون پشتی را به تخته تکیه گاه وصل کنید و با یک پیچ گوشتی دو تا قفلک را محکم کنید.



* قبل از اتصال ستون پشتی، اطمینان حاصل کنید که علامت ∇ به سمت پایین است.

2 ستون های کناری را به تخته تکیه گاه وصل کنید.

ستون های کناری و تخته تکیه گاه را با چهار پیچ ضمیمه شده (+PWH5 x 25) محکم کنید.



نکته

تفاوت هایی میان ستون های چپ و راست وجود دارد. حتما هر ستون را در سمت صحیح آن نصب کنید.

مرحله ۱: قطعات را بررسی کنید

تعداد	نام
1	تخته بالایی
1	تخته تکیه گاه
1	ستون کناری (L)*1
1	ستون کناری (R)*1
1	ستون پشتی
1	پانل جلویی
1	طبقه شیشه ای
8	پیچ (+PWH5 × 25) 4*a
2	پیچ (+K4 × 20) + مهره 4*b
4	پیچ بادامی شکل 4*c
4	پیچ (+P4 × 15) 4*d
2	پیچ لنگری 4*e
3	کلاهک پیچ 4*f
1	بند پشتیبان
	پیچ (M6 × 18) 4*g
	پیچ چوبی (M3.8 × 20)
1	قلاب بلندگو (L)
1	قلاب بلندگو (R)
2*4	قالب کاغذ
3*3	
1	نوار

*1 دستورالعمل های بالا برای مدل SU-FL300M می باشند. این متفاوت از مدل SU-FL300L می باشد. برای مدل SU-FL300L، دو قسمت جداشونده در کنار ستون کناری وجود دارد.
*2 برای مدل SU-FL300M، چهار قالب کاغذ ارائه شده است.
*3 برای مدل SU-FL300L، سه قالب کاغذ ارائه شده است.
*4 کیف های قطعات با حروف الفبا برچسب زده شده اند.

اطمینان حاصل کنید که پیش از نصب یک پیچ گوهی چهار سو که با پیچ های مشخص شده در بالا مناسب می باشد را در اختیار دارید.

خطاب به فروشندگان سونی Sony

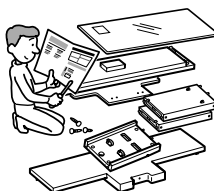
اطمینان حاصل کنید که پیشگیری های ایمنی که در قبل توضیح داده شد را بطور کامل می خوانید و طی مراحل نصب، نگهداری، بررسی، و تعمیر این محصول به موارد ایمنی توجه خاص مبذول دارید.

اطمینان حاصل کنید که دو نفر یا بیشتر کار نصب را انجام می دهند.

اطمینان حاصل کنید که دو نفر یا بیشتر تلویزیون را بر روی پایه تلویزیون نصب می کنند. اگر یک نفر کار نصب را به تنهایی انجام دهد، این ممکن است منجر به یک تصادف یا آسیب شود. اطمینان حاصل کنید که کودکان را طی مراحل نصب دور نگاه می دارید.

اطمینان حاصل کنید که با پیروی از دستورالعمل ها پایه تلویزیون را به محکمی نصب می کنید.

اگر یک پیچ به محکمی سفت نشده باشد، یا بیرون افتاده باشد، ممکن است باعث واژگون شدن پایه تلویزیون شود. این ممکن است باعث صدمه یا آسیب شود.



مراقب باشید که در حین نصب به دستها یا انگشتان خود آسیب نزنید.

مراقب باشید که هنگام سوار کردن پایه تلویزیون و نصب تلویزیون انگشتان یا دستهای خود را تحت فشار قرار ندهید.

اطمینان حاصل کنید که با پیروی از دستورالعمل ها تلویزیون را به محکمی نصب می کنید.

پیچ ها را به محکمی سفت کنید. اگر تلویزیون به محکمی نصب نشده باشد، ممکن است سقوط کند و باعث آسیب شود.

احتیاط

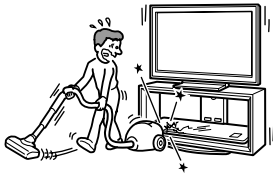
اگر پیش گیری های زیر رعایت نشوند، ممکن است آسیب یا صدمه به وسایل اتفاق بیفتد.

هیچ تجهیزات دیگری به غیر از محصول مشخص شده را نصب نکنید.

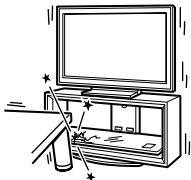
- این پایه تلویزیون تنها برای استفاده با محصول مشخص شده طراحی شده است. اگر تجهیزات دیگری به غیر از موارد مشخص شده را نصب کنید، ممکن است سقوط کرده یا بشکند، و باعث آسیب شود.
- اجسامی مانند گلدان ها، ظروف سفالی، و غیره، را بر روی پایه تلویزیون قرار ندهید.
- پایه تلویزیون را دستکاری نکنید.
- هیچ چیز داغی را بطور مستقیم بر روی پایه تلویزیون قرار ندهید. گرما ممکن است باعث تغییر رنگ یا شکل پایه تلویزیون شود.
- هیچ چیزی را که ممکن است به شیشه صدمه بزند بطور مستقیم بر روی پایه تلویزیون قرار ندهید.

شیشه را در معرض ضربه های سخت قرار ندهید.

این پایه تلویزیون از جنس شیشه سخت ساخته شده است، اما باید مراقبت بود. اگر شیشه بشکند، خرده های شیشه می تواند باعث آسیب شود، بنا بر این پیشگیری های زیر را مد نظر داشته باشید.

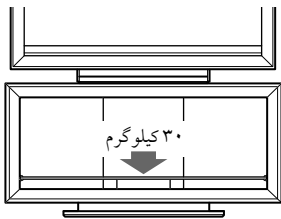


- به شیشه ضربه نزنید یا اجسام نوک تیز را روی شیشه قرار ندهید. از ضربه های سخت اجتناب کنید.
- با اجسام نوک تیز روی شیشه خط نیاندازید یا ضربه نزنید.
- اجازه ندهید اجسام سخت مانند یک جارو برقی به گوشه های شیشه برخورد کند.



نکته در مورد ظرفیت حمل

همانطور که در شکل نشان داده شده است هیچ تجهیزاتی را که از حداکثر وزن مجاز برای هر طبقه فراتر می رود قرار ندهید. در غیر این صورت، ممکن است طبقات بشکنند.



اطمینان حاصل کنید که تلویزیون را محکم می کنید.

با استفاده از بست های پیوسته ضمیمه شده، تلویزیون را به پایه تلویزیون محکم کنید. اگر تلویزیون به محکمی نصب نشده باشد، ممکن است سقوط کند، یا ممکن است پایه تلویزیون واژگون شود، و باعث آسیب شود.

نکات در مورد نصب

- هنگام سوار کردن اجزاء، قطعات بسته بندی را بر روی زمین قرار دهید تا از صدمه به زمین جلوگیری کنید.
- پایه تلویزیون را بر روی یک زمین سفت و هموار نصب کنید. اجازه ندهید پایه تلویزیون در یک گوشه یا سطح شیب دار نصب شود. برای جلوگیری از این امر، پیشگیری های زیر را رعایت کنید.
 - پایه تلویزیون را در مکانی که در معرض نور مستقیم خورشید یا نزدیکی یک بخاری قرار دارد نصب نکنید.
 - پایه تلویزیون را در یک مکان بسیار گرم یا مرطوب، یا در فضای باز نصب نکنید.

وزنی را به شیشه وارد نیاورید یا آن را در معرض هیچ نوع ضربه ای قرار ندهید.

هنگام نصب تلویزیون با دستان خود وزنی را به پایه تلویزیون وارد نیاورید. به پایه تلویزیون با اجسام سخت، مانند یک پیچ گوشتی، و غیره ضربه نزنید. ممکن است شیشه بشکند و منجر به آسیب شود.

هنگام حمل پایه تلویزیون

- سعی در حرکت دادن پایه تلویزیون به تنهایی، یا بدون دنبال کردن روندهای مناسب، ممکن است باعث آسیب شود. برای اجتناب از این امر، اطمینان حاصل کنید که توصیه ارائه شده در زیر را دنبال می کنید.
- اطمینان حاصل کنید که دو نفر یا بیشتر، و تنها بعد از برداشتن تلویزیون، تجهیزات متصل و طبقات شیشه ای پایه تلویزیون را حمل می کنند.
- پایه تلویزیون را نکشید. قسمت های تکیه گاه پایه تلویزیون ممکن است جدا شده و زمین را خراب کنند.
- مراقب باشید که اجازه ندهید دست یا پاهای شما زیر تخته تکیه گاه تحت فشار قرار گیرد.
- طبقه شیشه ای را هنگام حمل پایه تلویزیون نگیرید.

نکاتی در مورد استفاده

برای تمیز نگاه داشتن پایه تلویزیون، آن را گهگاه با یک پارچه نرم خشک پاک کنید. لکه های سخت را می توان با پارچه ای که با صابون مرطوب شده است، از بین برد. سپس حتما محل را با یک پارچه نرم خشک پاک کنید. از مواد شیمیایی مانند تینر و بنزین استفاده نکنید، از آنجائیکه آن ها جلای پایه تلویزیون را از بین می برند.

هشدار

اگر اخطارهای زیر رعایت نشوند، ممکن است باعث آسیب جدی بدلیل آتش سوزی، برق گرفتگی، یا واژگون شدن دستگاه شود.

محصولات تنها باید توسط نمایندگان مجرب خدمات سونی Sony نصب شوند.

تلویزیون و پایه تلویزیون بسیار سنگین هستند؛ نصب توسط افراد فاقد صلاحیت می تواند منجر به آسیب جدی شود.

اطمینان حاصل کنید که اقدامات لازم را برای اجتناب از واژگون شدن پایه تلویزیون انجام می دهید.

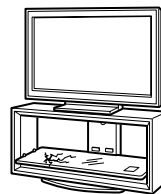
در صورت عدم انجام این کار، تلویزیون ممکن است واژگون شده و باعث آسیب شود. تلویزیون را به یک دیوار، و غیره محکم کنید تا از واژگون شدن آن جلوگیری شود.

اطمینان حاصل کنید که پایه تلویزیون را بر روی یک زمین سفت و هموار نصب می کنید.

پایه تلویزیون را طوری نصب نکنید که به یک سمت متمایل شود. اگر این کار را انجام دهید، ممکن است پایه تلویزیون واژگون شده یا تلویزیون سقوط کند. این ممکن است باعث آسیب یا صدمه شود. اگر شما پایه تلویزیون را بر روی یک سطح نرم مانند یک زیر انداز یا یک قالی نصب کنید، ابتدا یک تخته بر روی مکان تعیین شده قرار دهید.

از یک پایه تلویزیون شکسته استفاده نکنید.

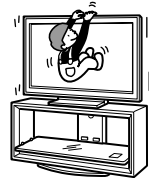
از پایه تلویزیون در صورتی که دچار شکستگی شده است استفاده نکنید. ممکن است شیشه بشکند و باعث واژگون شدن تلویزیون شود، که می تواند منجر به آسیب جدی یا صدمه شود.



پایه تلویزیون شکسته

زمانیکه تلویزیون به پایه تلویزیون وصل است به آن تکیه نداده یا از آن آویزان نشوید.

ممکن است پایه تلویزیون واژگون شود، یا تلویزیون سقوط کند و باعث آسیب یا مرگ شود.



به کودکان اجازه ندهید تا از پایه تلویزیون بالا بروند یا میان طبقات بروند.

اگر بچه ها روی پایه تلویزیون رفتند یا بین طاقچه ها گیر کردند، اگر شیشه بشکند یا پایه تلویزیون و تلویزیون بیفتند صدمه جدی یا مرگ ممکن است پیش آید.



بر روی پایه تلویزیون قدم نگذارید.

شما ممکن است بیافتید، یا شیشه بشکند و باعث آسیب شود.



حفره های تهویه تلویزیون را نپوشانید.

اگر حفره های تهویه را نپوشانید (با یک پارچه، و غیره)، ممکن است گرما در درون آن ایجاد شده و منجر به آتش سوزی شود.



اجازه ندهید سیم برق یا کابل اتصال تحت فشار قرار گیرند.

- زمانیکه تلویزیون را به پایه تلویزیون متصل می کنید، اجازه ندهید سیم برق یا کابل اتصال تحت فشار قرار گیرند. اگر سیم برق یا کابل اتصال آسیب دیده است، این می تواند منجر به آتش سوزی یا برق گرفتگی شود.
- زمانیکه پایه تلویزیون را حمل می کنید بر روی سیم برق یا کابل اتصال قدم نگذارید. ممکن است سیم برق یا کابل اتصال آسیب دیده باشد، و این می تواند منجر به آتش سوزی یا برق گرفتگی شود.



پایه تلویزیون را در حالیکه تلویزیون متصل است یا با تجهیزات متصل شده در درون آن حرکت ندهید.

اگر شما در حالیکه تلویزیون متصل است پایه تلویزیون را حرکت دهید، این ممکن است به پشت شما صدمه بزند، یا پایه تلویزیون ممکن است واژگون شده و باعث آسیب جدی شود. همچنین، تجهیزات متصل در آن ممکن است سقوط کرده و باعث شکسته شدن شیشه یا صدمه به وسایل دیگر شود.



احتیاط

محصولات مشخص شده

محصولات زیر بدون اطلاع در معرض تغییر هستند. بعضی مدل ها ممکن است دیگر موجود نباشند یا دیگر فروخته نشوند، یا ممکن است در بعضی مناطق در دسترس نباشند.

تلویزیون رنگی LCD		
KDL-40D2600	KDL-46W3500	SU-FL300M
KLV-40W300A	KDL-46W3100	
KLV-40V300A	KDL-46W3000	
KLV-40D300A	KDL-46V3100	
KDL-37S3100	KDL-46V3000	
KLV-37S310A	KDL-46VL130	
KDL-32XBR4	KDL-46S3000	
KDL-32V3100	KDL-46D3550	
KDL-32T3000	KDL-46D3500	
KDL-32T2800	KDL-46D3100	
KDL-32T2600	KDL-46D3010	
KDL-32S3100	KDL-46D3000	
KDL-32S3000	KLV-46W300A	
KDL-32SL130	KLV-46V300A	
KDL-32D3100	KLV-46D300A	
KDL-32D3010	KDL-40W3500	
KDL-32D3000	KDL-40W3100	
KDL-32D2810	KDL-40W3000	
KDL-32D2710	KDL-40V3100	
KDL-32D2600	KDL-40V3000	
KLV-32V300A	KDL-40VL130	
KLV-32S310A	KDL-40T3000	
KLV-32D300A	KDL-40T2800	
	KDL-40T2600	
	KDL-40S3000	
	KDL-40SL130	
	KDL-40D3550	
	KDL-40D3500	
	KDL-40D3100	
	KDL-40D3010	
	KDL-40D3000	
	KDL-40D2810	
	KDL-40D2710	
	KDL-52W3000	SU-FL300L
	KDL-52WL130	
	KDL-46W3000	
	KDL-46V3000	
	KDL-46VL130	
	KDL-46S3000	

این پایه تلویزیون برای استفاده با محصولات مشخص شده در بالا طراحی شده است. برای سایر تلویزیون ها، به دفترچه راهنمای آن ها مراجعه نمایید تا مطمئن شوید که پایه تلویزیون قابل استفاده است. بعضی تلویزیون ها از یک جزوه که نحوه نصب پایه تلویزیون را شرح می دهد به عنوان ضمیمه برخوردار هستند.

خطاب به خریداران

این محصول باید تنها توسط نمایندگان مجاز خدمات سونی Sony نصب شود، از آنجائیکه نیازمند حداقل دو فرد، دقت خاص، ایمنی، و مهارت است.

هشدار

اگر پیش گیری های ایمنی رعایت نشوند یا محصول به طرز نادرستی مورد استفاده قرار گیرد، می تواند منجر به صدمه جدی یا آتش سوزی شود.

این دفترچه دستور العمل، نحوه صحیح کار با محصول و پیش گیری های مهمی که برای اجتناب از حوادث وجود دارند را نشان می دهد. اطمینان حاصل کنید که دفترچه راهنما را به طور کامل خوانده و از محصول به درستی استفاده می کنید. این دفترچه راهنما را برای رجوع در آینده در دسترس نگاه دارید.

خطاب به فروشندگان سونی Sony

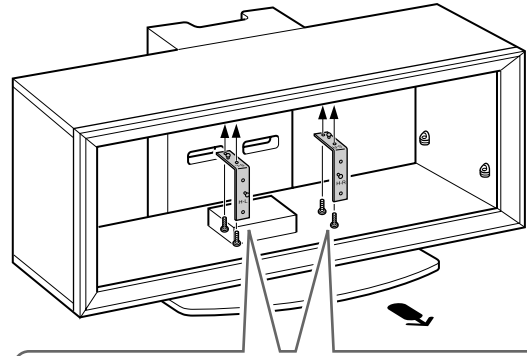
نصب یک تلویزیون نیازمند دو نفر، دقت خاص، و مهارت است. به هنگام نصب یک تلویزیون به دقت به این دفترچه راهنما رجوع کنید. سونی Sony برای هر گونه حادثه یا صدماتی که بواسطه نصب یا بکارگیری نادرست ایجاد شود، مسئولیت قبول نمی کند. لطفا این دفترچه راهنما را بعد از نصب به خریدار ارائه دهید.

در مورد ایمنی

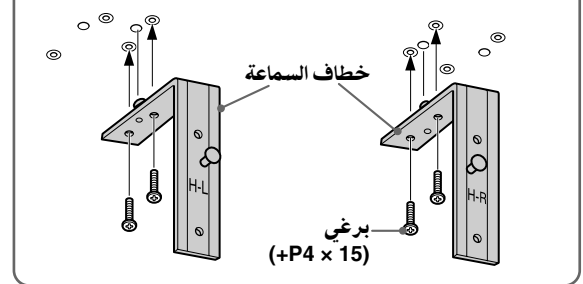
محصولات سونی Sony با در نظر گرفتن مسائل ایمنی طراحی شده اند. استفاده ناصحیح ممکن است باعث آسیب جدی بدلیل آتش سوزی، برق گرفتگی، و آژگون شدن دستگاه، یا سقوط دستگاه شود. برای اجتناب از چنین حوادثی اطمینان حاصل کنید که پیش گیری های ایمنی را رعایت می کنید.

تثبيت خطاف السماعة.

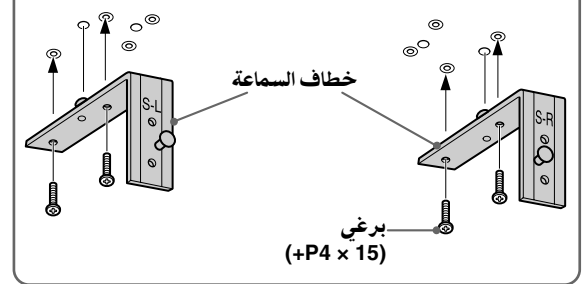
قم بتأمين شد خطاف السماعة بواسطة البراغي المرفقة (+P4 × 15) (برغين لكل من الجانب الأيمن / الأيسر) على الجانب السفلي من اللوحة العلوية.



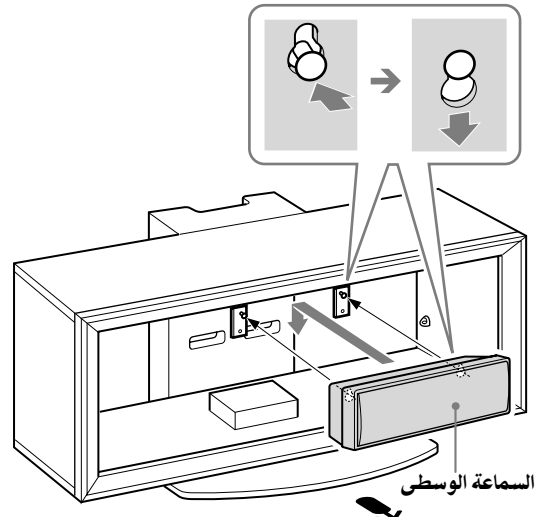
السماعة الوسطى: موديل SS-CT71/CNP2200



السماعة الوسطى: موديل SS-CT72/CT74



2
قم بتعليق السماعة الوسطى على براغي الخطاف كما مبين.



تركيب السماعة الوسطى (نظام المسرح المنزلي فقط)

السماعة الوسطى موديل SS-CT71/CNP2200 مخصصة لموديلات نظام المسرح المنزلي التالية:

HT-SF2000	DAV-HDX665
HT-SF1200	DAV-HDX466
HT-SF1100	DAV-HDX465
DAV-DZ750K	DAV-HDX267W
DAV-DZ630	DAV-HDX266
DAV-DZ556KB	DAV-HDX265
DAV-DZ555K	DAV-HDX235
DAV-DZ555M	
DAV-DZ530	
DAV-DZ250KW	
DAV-DZ250K	
DAV-DZ250M	
DAV-DZ231	
DAV-DZ230	
DAV-DZ151KB	
DAV-DZ150K	

السماعة الوسطى موديل SS-CT72/CT74 مخصصة لموديلات نظام المسرح المنزلي التالية:

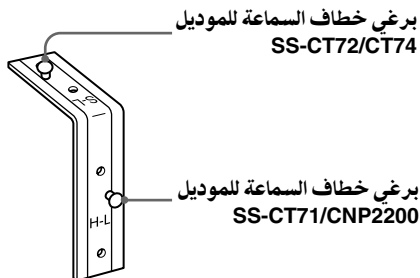
DAV-DZ1000	DAV-HDX900W
DAV-DZ850KW	DAV-HDX501W
DAV-DZ850M	DAV-HDX500
DAV-DZ830W	
DAV-DZ531W	

ملاحظات

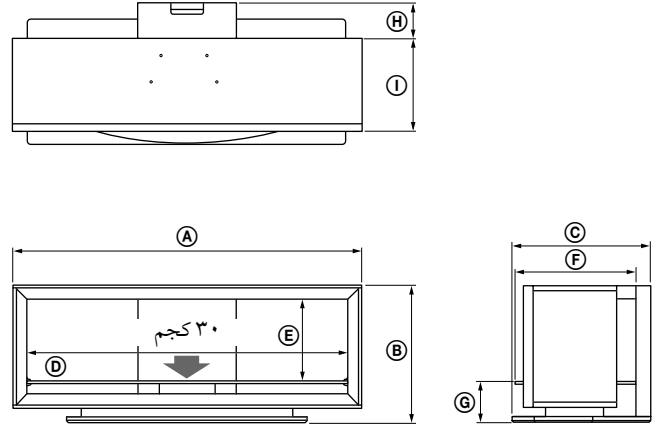
- المنتجات التالية عرضة للتغيير دون إشعار مسبق، أو قد ينفذ المخزون المتوفر منها أو قد لا يستمر انتاجها.
- بعض الموديلات قد لا تتوفر في بعض المناطق.

قبل تثبيت خطاف السماعة الوسطى:

بخصوص الموديل SS-CT71/CNP2200، يجب أن تكون العلامة H-L/H-R متجهة للأمام. (العلامة H-L للجانب الأيسر، والعلامة H-R للجانب الأيمن).
بخصوص الموديل SS-CT72/CT74، يجب أن تكون العلامة S-L/S-R متجهة للأمام. (العلامة S-L للجانب الأيسر، والعلامة S-R للجانب الأيمن).



المواصفات



ملاحظة حول الحمل المحمل على حامل التلفزيون أثناء نقله

لا تعتمد على وضع أي جهاز يتجاوز وزنه الحمل الأقصى المحمل على الرفوف الزجاجية، وإلا فقد يؤدي ذلك إلى انكسار الزجاج والإصابة الشخصية.

SU-FL300L	SU-FL300M		
1,280	1,035	(A)	الأبعاد: مم
503	503	(B)	
518	485	(C)	
1,140	895	(D)	
303	303	(E)	
468	418	(F)	
146	146	(G)	
130	120	(H)	
340	272	(I)	
52 كجم	35 كجم		الوزن:

التصميم والمواصفات عرضة للتغيير دون إشعار.

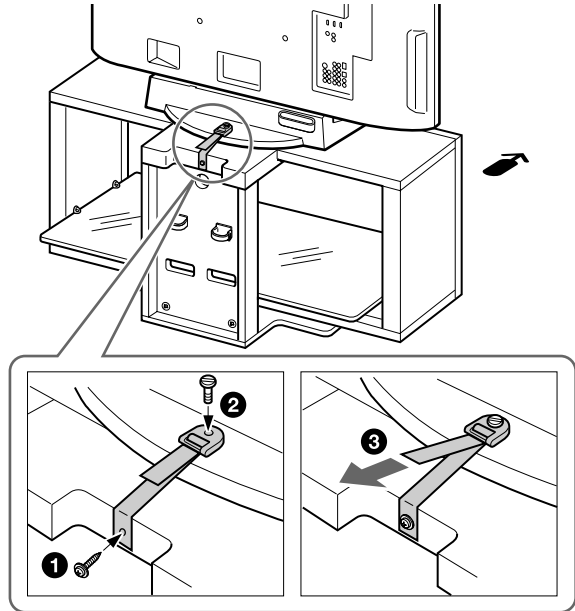
الخطوة ٥: إجراءات السلامة لتفادي الانقلاب

تحذير

تأكد من تطبيق اجراءات لتفادي انقلاب حامل التلفزيون، والتسبب في اصابات أو اضرار محتملة.

1 تثبيت حزام طوق الاسناد.

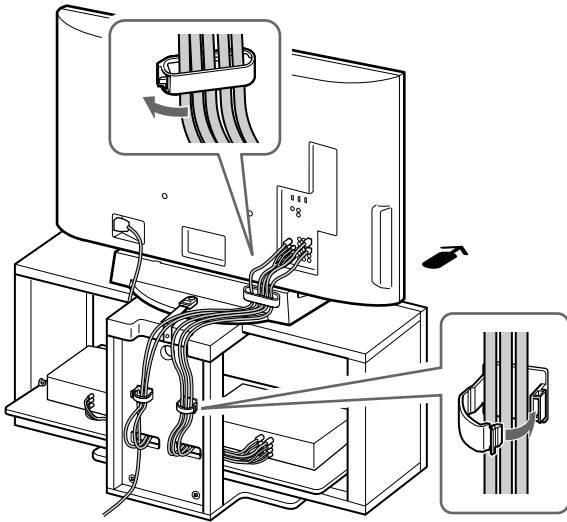
- 1 شد شريط الاسناد على حامل التلفزيون بواسطة البرغي الخشبي المرفق مستخدماً مفك براغي.
- 2 قم بتثبيت شريط الاسناد على حامل التلفزيون المنضدي، وشد الشريط بواسطة برغي التأمين المرفق مستخدماً عملية معدنية، الخ.
- 3 اضبط الطول بشد طوق الاسناد أثناء مسك الحامل المنضدي.



2

توصيل الكبلات.

قم بتمرير الكبلات من خلال حاملات الكبل والفتحات الموجودة على الدعامة الخلفية.



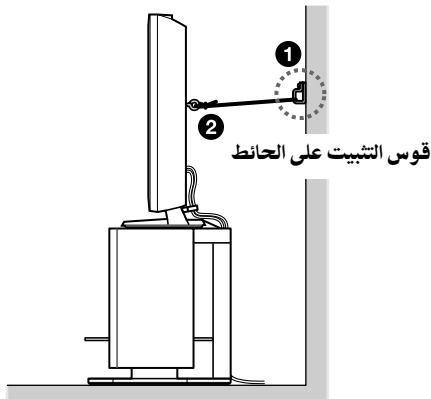
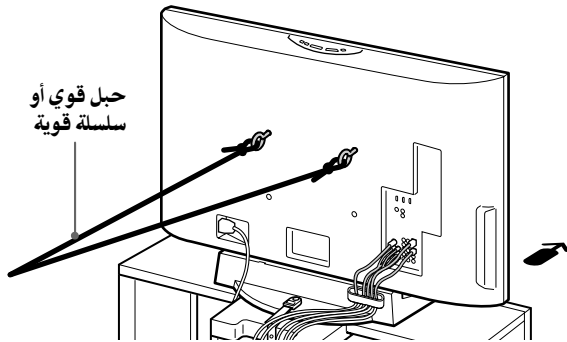
ملاحظة

إذا لم يتم تركيب الكبلات بصورة صحيحة، قد تنضغط وت تلف، وقد تتسبب في حدوث صدمة كهربائية، الخ.

3 تثبيت التلفزيون على الحائط.

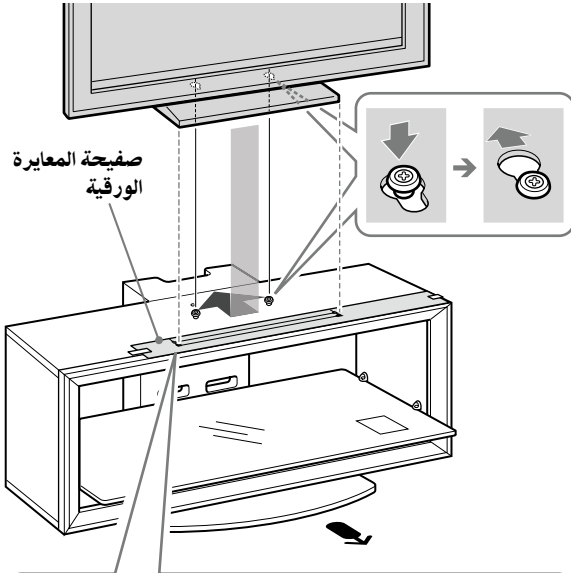
قم بتحضير حبل قوي أو سلسلة قوية متوفر تجارياً وقوس تثبيت على الحائط لهذا الغرض.

- 1 قم بتأمين شد قوس التثبيت على الحائط على حائط صلب.
- 2 قم بتمرير الحبل أو السلسلة من خلال كلا فتحتي مسماري التأمين الملولبين ومن ثم قم بشد الطرف الآخر من الحبل أو السلسلة بقوس التثبيت على الحائط.

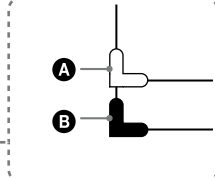
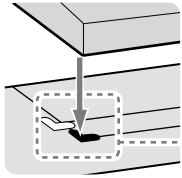


الخطوة ٤: تركيب التلفزيون

قم بتثبيت تلفزيونك على الحامل المنضدي، إذا لم يتم تثبيته بعد.
فقط بخصوص الموديلات المجهزة بحلقة رابطة المحددة في الصفحة
٢، اتبع اجراء الجزء 1 في الخطوة ٤.



فقط بخصوص الموديلات المجهزة بحلقة رابطة المحددة في
الصفحة ٢



أ علامة الزاوية البيضاء خاصة بالموديلات المجهزة بحلقة
رابطة.

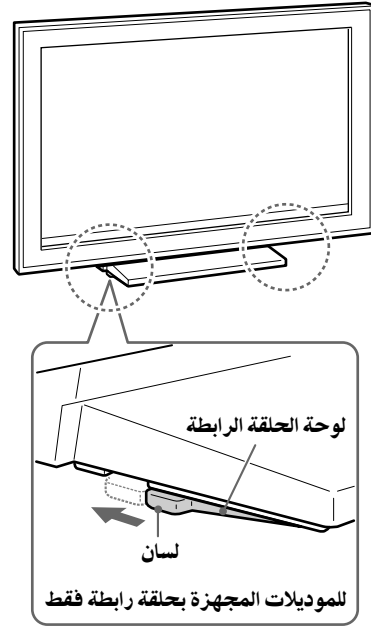
ب علامة الزاوية السوداء خاصة بالموديلات غير المجهزة
بحلقة رابطة.

ملاحظة

بخصوص مستخدمي التلفزيونات مقاس 37/40 بوصة، سواء
كان التلفزيون من الموديل المجهز بحلقة الرابطة أم لا، قم
بمحاذاة الحامل المنضدي مع علامة الزاوية السوداء. (لا توجد
علامة زاوية بيضاء على صفحة المعايرة الورقية للتلفزيونات
مقاس 37/40 بوصة.)

1 اضبط موضع لوحة الحلقة الرابطة إلى المركز (للموديلات المجهزة بحلقة رابطة فقط).

قبل تركيب التلفزيون، قم بمحاذاة لسان لوحة الحلقة الرابطة مع
الشح الموجود في الحامل المنضدي.

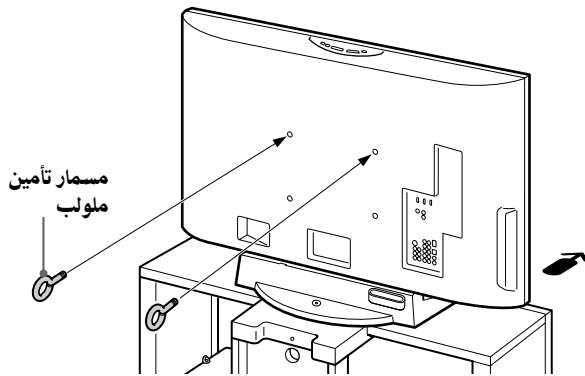


تحذير

إذا لم يتم ضبط لوحة الحلقة الرابطة بصورة صحيحة، سوف لن
يتم تركيب التلفزيون بشكل ثابت وقد يسقط.

3 تثبيت مسمار التأمين الملولب.

قم بتأمين شد مسماري التأمين الملولبين المرفقين بالجهة
الخلفية من التلفزيون.



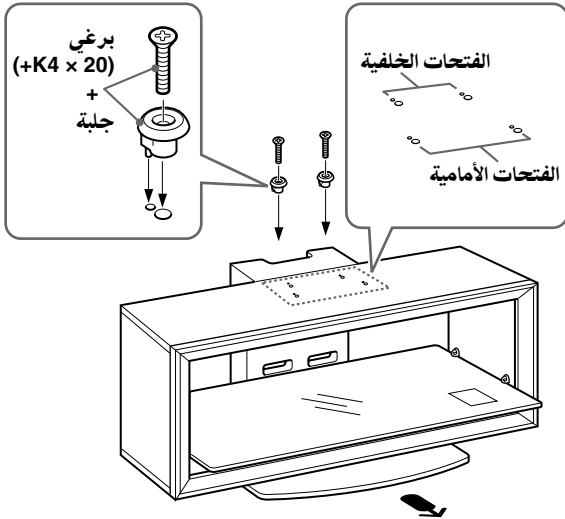
ملاحظة

إذا لم يتم استعمال مسماري التأمين الملولبين لتأمين التلفزيون، قد
يسقط ويتسبب في إصابات.

2 تركيب التلفزيون على حامل التلفزيون.

- 1 قم بمحاذاة حد الحامل المنضدي مع حد حجم شاشة
التلفزيون وعلامات الزاوية على الصفحة الورقية، وبذلك
ستكون الفتحات الموجودة في أسفل الحامل المنضدي
محاذاة للجلبات التي تم تثبيتها في الجزء 1 من الخطوة ٣.
- 2 اسحب الجزء الخلفي من التلفزيون لتأمينه في مكانه.
- 3 اخلع صفحة المعايرة الورقية من اللوحة العلوية.

* وظيفة الحلقة الرابطة تسمح لك بضبط زاوية مشاهدة التلفزيون (اليمين واليسار).



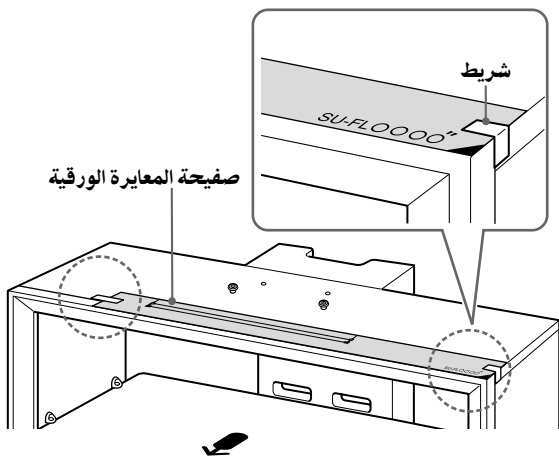
2 الصق صفيحة المعايير الورقية على اللوحة العلوية.

1 اختر صفيحة المعايير الورقية المرفقة وقم بمحاذاة حواف الزاوية اليمنى لصفيحة المعايير الورقية مع الزاوية اليمنى للوحة العلوية.

بخصوص الموديلات غير المحددة في الصفحة ٢: تأكد من مراجعة نشرة التعليمات المرفقة مع تلفزيونك، واختر صفيحة المعايير الورقية الملائمة لتلفزيونك.

بخصوص الموديلات المحددة في الصفحة ٢: اختر صفيحة المعايير الورقية المطبوعة باللون الأسود الملائمة لحجم تلفزيونك.

2 قم بتثبيت صفيحة المعايير الورقية على اللوحة العلوية بواسطة الشريط المرفق.

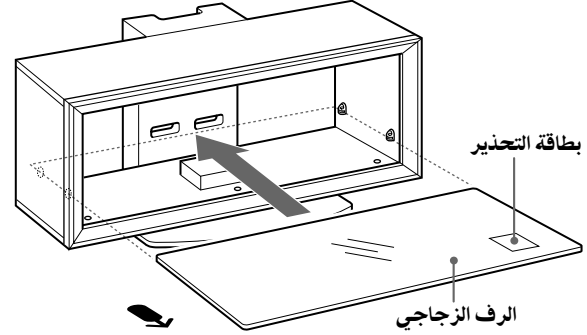


5

تثبيت الرف الزجاجي.

إذا قمت بتركيب نظام المسرح المنزلي على الحامل، قم بتثبيت خطوات السماعه أولاً. (راجع «تركيب السماعه الوسطى (نظام المسرح المنزلي فقط)» في صفحة ١١).

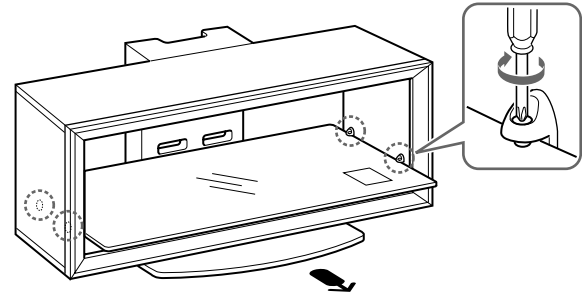
1 قم بإدخال الرف الزجاجي بصورة كاملة إلى أن يلامس الدعامة الخلفية.



ملاحظة

قم بتثبيت الرف الزجاجي على حامل التلفزيون على أن تكون بطاقة التحذير متجهة للأعلى في الجهة الأمامية اليمنى، كما مبين في الرسم التوضيحي.

2 قم بشد البراغي الأربعة على الدعامة الجانبية لتأمين الرف الزجاجي على حامل التلفزيون.



الخطوة ٣: التحضير لتركيب التلفزيون

1

تثبيت الجلبات باللوحة العلوية.

قم بإدخال الجلبات مع البراغي المرفقة (+K4 x 20).

بخصوص الموديلات غير المحددة في الصفحة ٢: استعمل الفتحات الأمامية.

بخصوص الموديلات المحددة في الصفحة ٢:

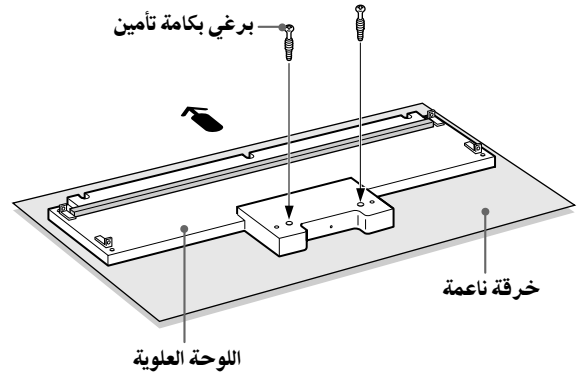
بخصوص الموديلات المجهزة بحلقة رابطة*، استعمل الفتحات الخلفية؛ أما بخصوص الموديلات غير المجهزة بحلقة رابطة، استعمل الفتحات الأمامية.

ملاحظة

تأكد من تعليمات التشغيل الخاصة بتلفزيونك لكي تعرف ما إذا تلفزيونك مجهزاً بحلقة رابطة أم لا.

تثبيت اللوحة العلوية.

1 قم بشد البرغيين بكامة التأمين المرفقين باللوحة العلوية.



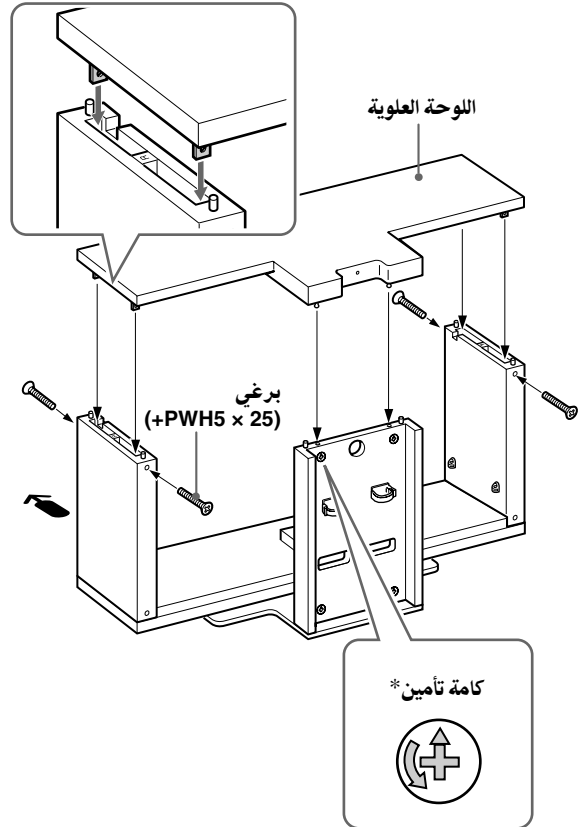
الرسم التوضيحي المبين أعلاه يشير إلى الموديل SU-FL300M كمثال. بخصوص الموديل SU-FL300L، توجد خشبتي تقوية على اللوحة العلوية.

ملاحظة

لتفادي تعرض السطح الزجاجي في اللوحة العلوية لضرر، تأكد من تنظيفه وضع قطعة قماش ناعمة على السطح الذي يجري العمل عليه.

2 قم بمحاذاة وتأمين شد أقواس التثبيت لكل من جانبي اللوحة العلوية في الدعامة الجانبية.

3 قم بتأمين شد الدعامة الجانبية بواسطة 4 من البراغي المرفقة (+PWH5 × 25). وقم بتأمين كامتي التأمين المتبقيتين على الجهة الخلفية للدعامة الخلفية.



* قبل تثبيت اللوحة العلوية، تأكد من أن العلامة Δ تتجه إلى الأعلى.

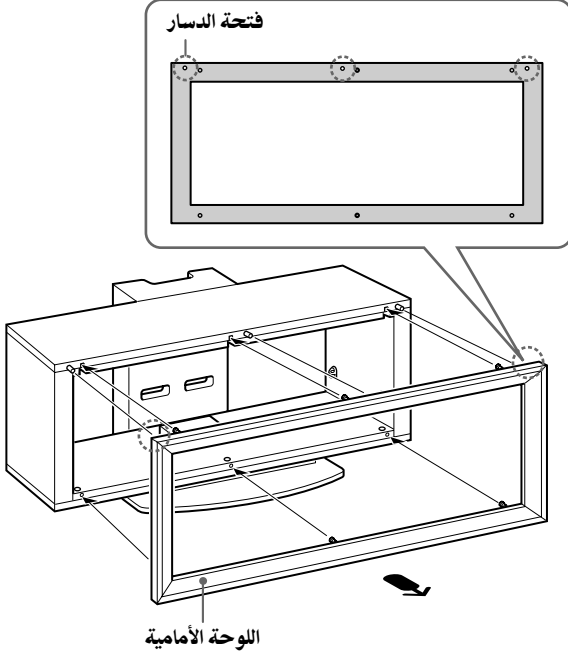
ملاحظة

احذر كي لا تتضغط اصابعك عند تثبيت اللوحة العلوية.

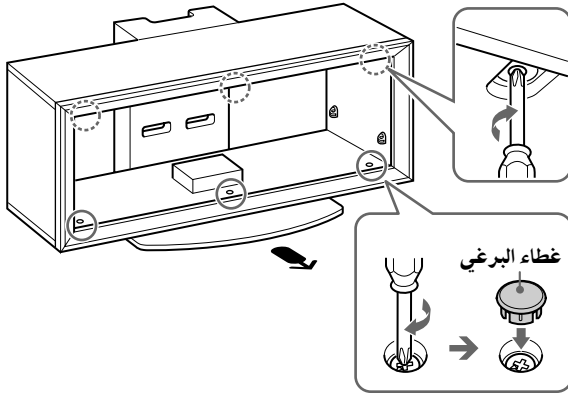
4

تثبيت اللوحة الأمامية لحامل التلفزيون.

1 قم بمحاذاة دسارات حامل التلفزيون الثلاثة مع الفتحات الثلاثة للوحة الأمامية.



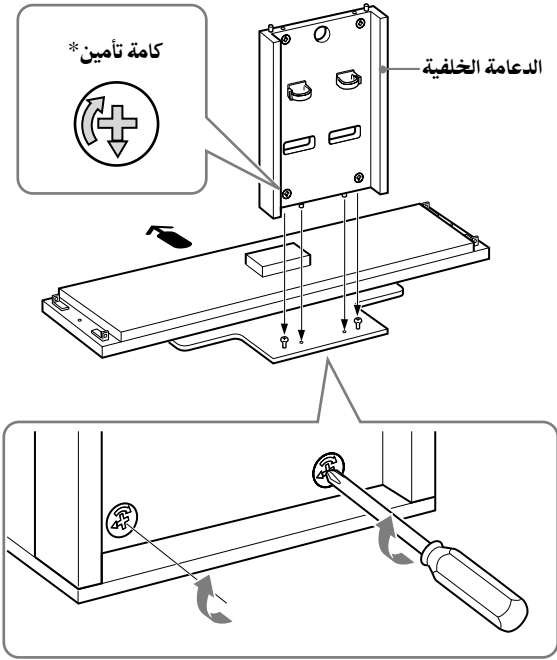
2 قم بتدوير البراغي بكامة التأمين الستة الموجودة على اللوحة العلوية و لوحة القاعدة باتجاه عقارب الساعة لتأمين شد اللوحة الأمامية. ثم، قم بتثبيت أغطية البراغي الثلاثة المرفقة على البراغي السفلية الثلاثة.



ملاحظة

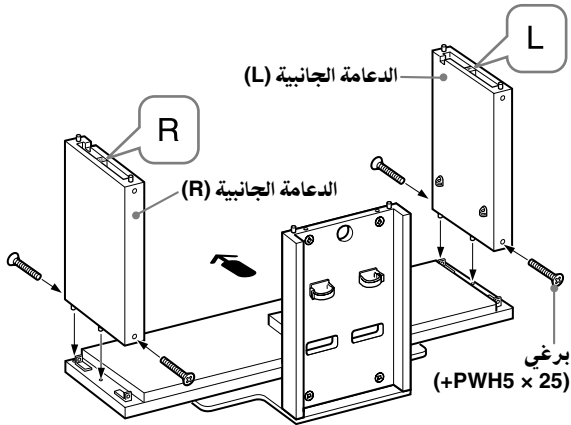
تأكد من تثبيت اللوحة الأمامية بالاتجاه الصحيح.

2 قم بتثبيت الدعامة الخلفية على لوحة القاعدة وقم بتأمين شد كامتي التأمين مستخدماً مفك براغي.



* قبل تثبيت الدعامة الخلفية، تأكد من أن العلامة ▽ تتجه إلى الأسفل.

تثبيت الدعامة الجانبية على لوحة القاعدة.
قم بتأمين شد الدعامة الجانبية ولوحة القاعدة بواسطة ٤ من البراغي المرفقة (+PWH5 × 25).



ملاحظة

تختلف الدعامة اليمنى عن الدعامة اليسرى.
تأكد من ادخال كل دعامة في الجانب الصحيح.

الخطوة ٢: تجميع حامل التلفزيون

تحذير

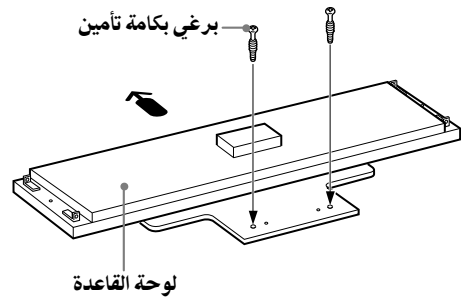
إذا تم احتباس سلك توصيل الطاقة أو أسلاك التوصيل بين أجزاء الجهاز، فإنه يمكن أن يؤدي إلى حدوث تماس أو صدمة كهربائية. ينبغي عدم تعثر قدمك بسلك توصيل الطاقة أو أسلاك التوصيل، وإلا فقد ينقلب حامل التلفزيون، مما يتسبب في الإصابة الشخصية.

قم بتحديد موقع التركيب وضع حامل التلفزيون عليه قبل تركيب التلفزيون.

بما أن التلفزيون ثقيل، نوصيك بتحديد مكان التركيب مسبقاً، ومن ثم تجميع حامل التلفزيون في ذلك المكان.

1 تثبيت الدعامة الخلفية على لوحة القاعدة.

1 قم بشد البرغيين بكامة التأمين المرفقين بلوحة القاعدة.



← اتجاه السهم يشير إلى الجهة الأمامية لحامل التلفزيون.

الخطوة ١: افحص القطع

العدد	الإسم
1	اللوحة العلوية
1	لوحة القاعدة
1	الدعامة الجانبية (L)*1
1	الدعامة الجانبية (R)*1
1	الدعامة الخلفية
1	اللوحة الأمامية
1	الرف الزجاجي
8	برغي (+PWH5 × 25) 4*a
2	برغي (+K4 × 20) + جلبة 4*b
4	برغي بكامة تأمين 4*c
4	برغي (+P4 × 15) 4*d
2	مسمار تأمين ملولب 4*e
3	غطاء البرغي 4*f
1	شريط الاسناد
	برغي (M6 × 18) 4*g
	برغي خشبي (M3.8 × 20)
1	خطاف السماعة (L)
1	خطاف السماعة (R)
2*4	صفيحة معايرة ورقية
3*3	
1	شريط

*1 الرسم التوضيحية أعلاه خاصة بالموديل SU-FL300M. فهي تختلف عن الموديل SU-FL300L. بخصوص الموديل SU-FL300L، يوجد جزئين فاصلين على جانب الدعامة الجانبية.

*2 بخصوص الموديل SU-FL300M، تم تجهيز أربع صفحات معايرة ورقية.

*3 بخصوص الموديل SU-FL300L، تم تجهيز ثلاث صفحات معايرة ورقية.

*4 الأجزاء معبئة حسب الترتيب الأبجدي.

تأكد من تجهيز مفك براغي موجب (+) مناسب للبراغي المشار إليها أعلاه قبل بدء التجميع.

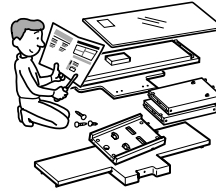
لموزعي سوني Sony

تأكد من قراءة التنبيهات الاحتياطية الخاصة بضمان السلامة الواردة في هذه التعليمات بعناية مسبقاً وقم بتوجيه انتباه خاص الى السلامة أثناء عمليات تركيب هذا المنتج وصيانته وفحصه وتصلبه.

تأكد من تنفيذ أعمال التركيب من قبل شخصين أو أكثر.

تأكد من تنفيذ أعمال تركيب التلفزيون على حامل التلفزيون من قبل شخصين أو أكثر. إذا تم تنفيذ أعمال التركيب من قبل شخص واحد فقط، فإنه يمكن أن يؤدي الى وقوع حادث مما يتسبب في الإصابة الشخصية. تأكد من المحافظة على أي طفل بعيداً عن موقع التركيب.

تأكد من تجميع حامل التلفزيون بإحكام باتباع التعليمات.



إذا لم يتم تأمين أحد البراغي بإحكام، أو إذا سقط احدها، قد يتقلب حامل التلفزيون. وقد يؤدي ذلك إلى حدوث ضرر أو إصابة.

احرص على عدم إصابة يديك أو أصابعك أثناء عمليات التركيب.

احرص على عدم احتباس أصابعك ويديك أثناء عمليات تجميع حامل التلفزيون وتركيب التلفزيون عليه.

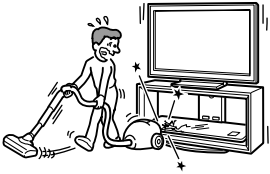
تأكد من تركيب التلفزيون بإحكام باتباع التعليمات.

قم بتثبيت البراغي بإحكام. إذا لم يتم تركيب التلفزيون بإحكام، فقد يسقط مما يتسبب في الإصابة الشخصية.

تنبيه

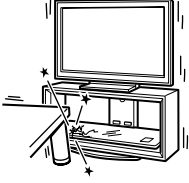
إذا لم تتم مراعاة التنبيهات الاحتياطية التالية، فإنه قد يؤدي إلى الإصابة الشخصية أو تلف الممتلكات.

لا تخضع الزجاج لصدمة زائدة.



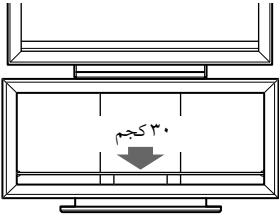
حامل التلفزيون هذا مصنوع من الزجاج المقوى، ولكن التزم الحرص عليه. إذا تم كسر الزجاج، فالأجزاء الصغيرة من الزجاج المكسور يمكن أن تؤدي إلى الإصابة الشخصية، لذا قم بمراعاة النقاط التالية.

- لا تعتمد على ضرب الزجاج أو إسقاط أشياء حادة الحافة على الزجاج. تجنب تعريضه لصدمة زائدة.
- لا تعتمد على خدش الزجاج أو دفعه بأشياء حادة الحافة.
- ينبغي عدم ارتطام المكنسة الكهربائية بحافة الزجاج.



ملاحظة حول الحمل المحمل على حامل التلفزيون أثناء نقله

لا تعتمد على وضع أي جهاز وزنه يتجاوز الحد الأقصى لكل رف كما هو موضح في الشكل التوضيحي. وإلا فقد تنكسر الرفوف.



ملاحظة حول التركيب

- عند تجميع حامل التلفزيون، ضع مواد التعبئة على الأرضية لتفادي تلف الأرضية.
- قم بتركيب حامل التلفزيون على أرضية صلبة مستوية. لا تعتمد على تركيب حامل التلفزيون على أي سطح مائل. لتفادي ذلك، قم بمراعاة التنبيهات الاحتياطية التالية.
- لا تعتمد على تركيب حامل التلفزيون على موقع معرض لأشعة الشمس المباشرة أو بالقرب من جهاز التدفئة.
- لا تعتمد على تركيب حامل التلفزيون على موقع رطب أو خارج المبنى.

ملاحظة حول الاستعمال

للحفاظ على حامل التلفزيون نظيفاً، امسحه بين فترة وأخرى بخرقة ناعمة وجافة. يمكن إزالة البقع العنيدة بمسحها بخرقة مرطبة قليلاً بصابون مخفف. تأكد من تجفيف المنطقة فيما بعد بخرقة جافة. لا تستعمل المواد الكيميائية مثل الشتر (مرقق الطلاء) أو البنزين، فهي تؤثر على طلاء حامل التلفزيون.

لا تعتمد على تركيب أي جهاز غير التلفزيون الموصوف.

- حامل التلفزيون هذا مصمم للاستعمال مع التلفزيون الموصوف فقط. إذا قمت بتركيب أي جهاز غير التلفزيون الموصوف، فقد يسقط أو ينكسر، مما قد يتسبب في الإصابة الشخصية.
- لا تعتمد على وضع أشياء مثل اناء الزهور أو ما يعادله على حامل التلفزيون.
- لا تعتمد على تعديل حامل التلفزيون.
- لا تعتمد على وضع أي شيء ساخن على حامل التلفزيون مباشرة. وإلا فقد يتسبب ذلك في إزالة اللون عن حامل التلفزيون أو تشقيقه بفعل الحرارة.
- لا تعتمد على وضع أي شيء على حامل التلفزيون مباشرة، وإلا فقد ينكسر الزجاج.

تأكد من تثبيت التلفزيون.

قم بتثبيت التلفزيون بحامل التلفزيون باستعمال المتركزات المرفقة. إذا لم يتم تركيب التلفزيون بإحكام، فإنه قد يتسبب في سقوطه أو انقلاب حامل التلفزيون، مما يؤدي إلى الإصابة الشخصية.

لا تعتمد على تحميل حمل زائد على الزجاج أو لا تخضعه لأي نوع من الصدمات.

لا تعتمد على تحميل حمل زائد على حامل التلفزيون بيدك أثناء عملية تركيب التلفزيون عليه. ولا تعتمد على ارتطام حامل التلفزيون بأشياء صلبة مثل مفك براغي أو ما يعادله، وإلا فقد ينكسر الزجاج، مما يتسبب في الإصابة الشخصية.

عند نقل حامل التلفزيون

- عند محاولة نقل التلفزيون من قبل شخص واحد أو بعدم اتباع العمليات الصحيحة، فإنه يمكن أن يؤدي إلى الإصابة الشخصية. لتفادي ذلك، تأكد من اتباع النصيحة الموضحة أدناه.
- تأكد من نقل حامل التلفزيون من قبل شخصين أو أكثر وقم بتوصيل الجهاز وتركيب الرفوف الزجاجية فقط بعد نزع التلفزيون عنه.
- لا تعتمد على سحب حامل التلفزيون على الأرضية، وإلا فقد تنفصل قاعدة حامل التلفزيون عن حامل التلفزيون، مما يتلف الأرضية.
- احرص على عدم احتباس يديك أو قدميك بلوحة القاعدة.
- لا تمسك حامل التلفزيون من الرفوف الزجاجية أثناء نقله.

تحذير

إذا لم يتم مراعاة التنبيهات الاحتياطية التالية، يمكن أن يؤدي ذلك إلى إصابات خطيرة أو الوفاة بسبب نشوب حريق أو صدمة كهربائية أو انقلاب المنتج.

لا تعتمد على الوقوف على حامل التلفزيون.

وإلا فقد تسقط عنه أو تكسر الزجاج، مما يتسبب في إصابتك.



لا تعتمد على تغطية ثقب التهوية الموجود على التلفزيون.

إذا قمت بتغطية ثقب التهوية (باستعمال قطعة قماش أو ما يعادلها)، فقد تتراكم الحرارة بداخل التلفزيون، مما يتسبب في نشوب حريق.



لا تعتمد على احتباس سلك توصيل الطاقة أو أسلاك التوصيل.

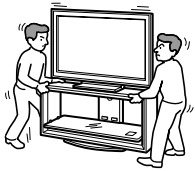
عند تركيب التلفزيون على حامل التلفزيون، لا تعتمد على احتباس سلك توصيل الطاقة أو أسلاك التوصيل بينهما، وإلا فيتم تلف سلك توصيل الطاقة أو أسلاك التوصيل، مما قد يتسبب في نشوب حريق أو صدمة كهربائية.

لا تقم بالدعس على سلك توصيل الطاقة أو أسلاك التوصيل أثناء قيامك بنقل حامل التلفزيون، وإلا فقد يتم تلف سلك توصيل الطاقة أو أسلاك التوصيل، مما قد يتسبب في نشوب حريق أو صدمة كهربائية.



لا تعتمد على نقل حامل التلفزيون مع كون التلفزيون مركباً عليه أو عند وجود الجهاز الموصول به فيه.

إذا قمت بنقل حامل التلفزيون المركب عليه التلفزيون، فإنه قد يؤدي إلى إلحاق ضرر بظهرك أو انقلاب حامل التلفزيون، مما قد يتسبب في الإصابة الخطيرة. كما أنه، قد يسقط أي جهاز موصول موجود فيه مما يؤدي إلى كسر الرف الزجاجي أو إلحاق الضرر بممتلكات أخرى.



يجب أن يتم تركيب المنتجات من قبل وكلاء خدمات سوني Sony المؤهلين.

كل من التلفزيون وحامل التلفزيون ثقيلين جداً؛ القيام بتركيبهما من قبل أشخاص غير مؤهلين قد يؤدي إصابة خطيرة.

تأكد من أخذ الوسائل اللازمة لتفادي انقلاب حامل التلفزيون.

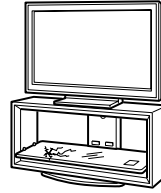
إذا أخفقت في القيام بذلك، قد ينقلب التلفزيون ويتسبب في إصابة. قم بتثبيت التلفزيون على حائط، الخ، لتفادي تعرضه للانقلاب.

تأكد من تركيب حامل التلفزيون على أرضية صلبة مستوية.

لا تعتمد على تركيب حامل التلفزيون بحيث ينحني إلى اتجاه واحد، وإلا فقد ينقلب حامل التلفزيون أو يسقط التلفزيون. قد يؤدي ذلك إلى إصابة أو ضرر. عند القيام بتركيب حامل التلفزيون على سطح غير ثابت مثل سجادة، ضع لוחاً صلباً على الموقع المراد تركيب الحامل عليه مسبقاً.

لا تعتمد على استعمال حامل التلفزيون المشقق.

لا تستعمل حامل التلفزيون إذا وجدت فيه أي تصدعات. قد ينكسر الزجاج ويتسبب في انقلاب التلفزيون، مما قد يؤدي إلى إصابة خطيرة أو ضرر.



حامل التلفزيون المشقق

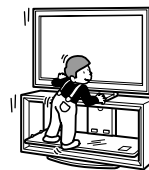
لا تعتمد على الانحناء إلى التلفزيون أو التعلق عليه عندما يكون مركباً على حامل التلفزيون.

وإلا فقد ينقلب حامل التلفزيون أو يسقط التلفزيون، مما قد يتسبب في الإصابة أو الوفاة.



لا تسمح للأطفال بصعود حامل التلفزيون أو بالعبث بين الرفين.

إذا تسلق الأطفال على حامل التلفزيون أو دخلوا بين الرفوف، يمكن أن تحدث إصابات خطيرة أو قد يؤدي ذلك إلى الوفاة إذا ما انكسر الزجاج أو حامل التلفزيون وانقلب التلفزيون.



تنبيه

منتجات محددة

المنتجات التالية عرضة للتغيير دون اشعار مسبق.
بعض الموديلات قد ينفذ المخزون المتوفر منها أو قد لا يستمر انتاجها
أو قد لا تتوفر في بعض المناطق.

التلفزيون الملون المزود بشاشة الكريستال السائل LCD	
KDL-40D2600	KDL-46W3500
KLV-40W300A	KDL-46W3100
KLV-40V300A	KDL-46W3000
KLV-40D300A	KDL-46V3100
KDL-37S3100	KDL-46V3000
KLV-37S310A	KDL-46VL130
KDL-32XBR4	KDL-46S3000
KDL-32V3100	KDL-46D3550
KDL-32T3000	KDL-46D3500
KDL-32T2800	KDL-46D3100
KDL-32T2600	KDL-46D3010
KDL-32S3100	KDL-46D3000
KDL-32S3000	KLV-46W300A
KDL-32SL130	KLV-46V300A
KDL-32D3100	KLV-46D300A
KDL-32D3010	KDL-40W3500
KDL-32D3000	KDL-40W3100
KDL-32D2810	KDL-40W3000
KDL-32D2710	KDL-40V3100
KDL-32D2600	KDL-40V3000
KLV-32V300A	KDL-40VL130
KLV-32S310A	KDL-40T3000
KLV-32D300A	KDL-40T2800
	KDL-40T2600
	KDL-40S3000
	KDL-40SL130
	KDL-40D3550
	KDL-40D3500
	KDL-40D3100
	KDL-40D3010
	KDL-40D3000
	KDL-40D2810
	KDL-40D2710
	KDL-52W3000
	KDL-52WL130
	KDL-46W3000
	KDL-46V3000
	KDL-46VL130
	KDL-46S3000

SU-FL300M

SU-FL300L

حامل التلفزيون هذا مصمم للاستعمال مع المنتجات المحددة أعلاه.
بخصوص الموديلات الأخرى من التلفزيونات، راجع تعليمات التشغيل
الخاصة بتلك الموديلات لمعرفة حامل التلفزيون الذي يمكن استعماله.
بعض التلفزيونات مزودة بنشرة تشرح كيفية تركيب حامل التلفزيون.

للزبائن

ينبغي تركيب هذا المنتج فقط من قبل فنيين مؤهلين من موزع أو
ممثل سوني Sony لأن عملية التركيب تحتاج الى شخصين على الأقل
والعناية والخبرة الخاصة لضمان السلامة.

تحذير

إذا لم تتم مراعاة تنبيهات احتياطية لضمان سلامة أو إذا تم استعمال
المنتج بصورة غير صحيحة، فإنه يمكن أن يؤدي الى الإصابة الخطيرة أو
نشوب حريق.

يشير دليل العمليات هذا الى التعامل الصحيح مع المنتج وتنبيهات
احتياطية لازمة لتفادي وقوع حوادث. تأكد من قراءة هذا الدليل بعناية
واستعمال المنتج بصورة صحيحة. احتفظ بهذا الدليل بين يديك للرجوع
اليه في المستقبل.

لموزعي سوني Sony

تحتاج عملية تركيب التلفزيون الى شخصين والعناية والخبرة الخاصة.
عند تركيب التلفزيون، راجع هذا الدليل بعناية. لا تتحمل شركة سوني
Sony مسؤولية أي حوادث أو إتلافات ناشئة عن التركيب أو التناول غير
الصحيح. يرجى إعطاء هذا الدليل الى الزبون بعد الانتهاء من عمليات
التركيب.

حول ضمان السلامة

المنتجات المصنوعة من قبل سوني Sony مصممة بحيث تضمن
السلامة. الاستعمال غير الصحيح قد يتسبب في اصابات خطيرة ناجمة
عن نشوب حريق أو صدمة كهربائية أو انقلاب المنتج أو سقوطه. تأكد
من مراعاة تنبيهات احتياطية لتفادي وقوع تلك الحوادث.

TV Stand

AR _____ تعليمات

PR _____ راهنما

SU-FL300M
SU-FL300L

Free Manuals Download Website

<http://myh66.com>

<http://usermanuals.us>

<http://www.somanuals.com>

<http://www.4manuals.cc>

<http://www.manual-lib.com>

<http://www.404manual.com>

<http://www.luxmanual.com>

<http://aubethermostatmanual.com>

Golf course search by state

<http://golfingnear.com>

Email search by domain

<http://emailbydomain.com>

Auto manuals search

<http://auto.somanuals.com>

TV manuals search

<http://tv.somanuals.com>