

Additional Information for Using Sony Wall-Mount Bracket (SU-WL500)

Compatible TV models for this Wall-Mount Bracket information:

**KDL-60NX801/KDL-60NX800/KDL-55HX701/KDL-46HX701/KDL-40HX701/KDL-52EX707/
KDL-46EX707/KDL-40EX707/KDL-32EX707/KDL-46EX705/KDL-40EX705/KDL-32EX705/
KDL-60EX703/KDL-52EX703/KDL-46EX703/KDL-40EX703/KDL-60EX701/KDL-52EX701/
KDL-46EX701/KDL-60EX700/KDL-52EX700/KDL-46EX700/KDL-40EX700/KDL-32EX700/
KDL-40EX40B/KDL-32EX40B/KDL-46EX607/KDL-40EX607/KDL-32EX607/KDL-46EX605/
KDL-40EX605/KDL-32EX605/KDL-46EX507/KDL-40EX507/KDL-32EX507/KDL-60EX505/
KDL-55EX505/KDL-40EX407/KDL-32EX407/KDL-40EX406/KDL-46EX405/KDL-40EX405/
KDL-32EX405/KDL-32EX308/KDL-32EX306/KDL-32EX305**

For product protection and safety reasons, Sony strongly recommends that you use the Wall-Mount Bracket model designed for your TV and that the wall-mounting of your TV is performed by Sony dealers or licensed contractors.

To Customers

Please provide your licensed contractor with this installation supplement as well as the instructions (supplied with the SU-WL500 Wall-Mount Bracket). Read these documents carefully for safety and proper installation.

To Sony Dealers and Contractors

Provide full attention to safety during the installation, periodic maintenance and examination of this product.

Sufficient expertise is required in installing this product, especially to determine the strength of the wall for withstanding the TV's weight. Be sure to entrust the attachment of this product to the wall to Sony dealers or licensed contractors and pay adequate attention to safety during the installation. Sony is not liable for any damage or injury caused by mishandling or improper installation.

For proper installation, follow your wall-mount bracket instructions and the directions below.

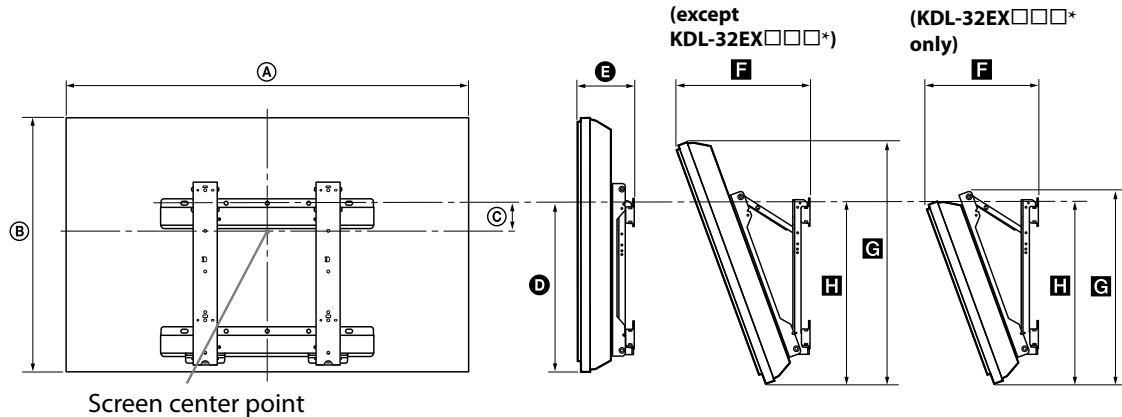
Additional Information for Using Sony Wall-Mount Bracket (SU-WL500)

Installing the Wall-Mount Bracket

Install the Base Bracket and Mounting Hooks.

- 1** Open the Wall-Mount Bracket package and check for all the required parts along with the Instructions.
- 2** Decide where you want to install your TV. Refer to the TV installation dimensions table.

Dimension Table



Unit: inches (mm)

Model Name	Display dimensions		Screen center dimensions C	Length for each mounting angle				
	A	B		Angle (0°)		Angle (20°)		
				D	E	F	G	H
KDL-60NX80□*	56 3/4 (1,440)	35 (889)	1 1/4 (31)	19 3/8 (490)	4 7/8 (121)	15 1/8 (384)	33 1/4 (842)	20 1/4 (514)
KDL-55HX701	53 3/4 (1,363)	32 1/2 (825)	31/32 (25)	17 3/8 (439)	6 5/8 (165)	16 5/8 (421)	30 5/8 (776)	19 (481)
KDL-46HX701	45 1/2 (1,154)	27 3/4 (704)	3 3/8 (84)	17 3/8 (439)	6 1/2 (162)	14 7/8 (377)	26 1/8 (662)	19 (480)
KDL-40HX701	40 3/8 (1,023)	24 3/4 (628)	4 7/8 (122)	17 3/8 (439)	6 3/8 (160)	13 3/4 (349)	23 3/8 (591)	18 7/8 (479)
KDL-60EX70□*	56 3/8 (1,430)	34 5/8 (877)	1 1/4 (31)	19 1/8 (483)	4 5/8 (115)	14 7/8 (375)	32 1/2 (824)	19 3/4 (501)
KDL-52EX70□*	49 3/8 (1,251)	30 5/8 (775)	3 1/4 (82)	19 1/8 (483)	4 1/2 (114)	13 3/8 (339)	28 3/4 (728)	19 3/4 (501)
KDL-46EX70□*	44 (1,117)	27 1/2 (698)	4 7/8 (121)	19 1/8 (483)	4 1/2 (114)	12 3/8 (313)	25 7/8 (656)	19 3/4 (501)
KDL-40EX70□*	38 3/4 (984)	24 5/8 (623)	6 1/4 (158)	19 1/8 (483)	4 1/2 (114)	11 3/8 (287)	23 1/8 (585)	19 3/4 (501)
KDL-32EX70□*	32 (810)	20 (507)	7 7/8 (197)	18 1/8 (459)	4 5/8 (115)	10 1/8 (257)	19 5/8 (497)	18 7/8 (478)
KDL-40EX40B	39 1/8 (992)	23 5/8 (598)	4 7/8 (122)	16 3/4 (425)	6 3/8 (160)	—**	—**	—**
KDL-32EX40B	31 1/2 (800)	19 5/8 (497)	6 7/8 (172)	16 7/8 (426)	6 1/4 (157)	—**	—**	—**

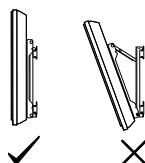
Additional Information for Using Sony Wall-Mount Bracket (SU-WL500)

Unit: inches (mm)

Model Name	Display dimensions		Screen center dimensions	Length for each mounting angle				
				Angle (0°)		Angle (20°)		
	(A)	(B)	(C)	(D)	(E)	(F)	(G)	(H)
KDL-46EX60□*	42 3/4 (1,085)	25 7/8 (656)	3 3/4 (95)	17 (431)	4 7/8 (121)	12 3/4 (323)	24 3/8 (616)	17 7/8 (454)
KDL-40EX60□*	37 1/2 (952)	22 7/8 (581)	5 1/4 (133)	17 (431)	4 3/4 (120)	11 3/4 (297)	21 1/2 (546)	17 7/8 (454)
KDL-32EX60□*	30 1/8 (764)	18 3/4 (475)	7 3/8 (185)	17 (431)	4 3/4 (120)	10 1/4 (260)	18 5/8 (473)	17 7/8 (454)
KDL-46EX507	44 3/8 (1,127)	26 5/8 (676)	3 3/8 (84)	16 7/8 (426)	6 3/8 (161)	14 5/8 (369)	25 1/4 (640)	18 1/4 (463)
KDL-40EX507	39 1/8 (992)	23 5/8 (599)	4 7/8 (122)	16 7/8 (426)	6 3/8 (159)	13 1/2 (341)	22 3/8 (567)	18 1/4 (463)
KDL-32EX507	31 1/2 (800)	19 5/8 (497)	6 7/8 (172)	16 7/8 (426)	6 1/4 (156)	12 (303)	18 5/8 (470)	18 1/4 (461)
KDL-60EX505	57 3/8 (1,455)	34 3/8 (873)	9/16 (14)	17 (430)	7 1/4 (181)	17 7/8 (453)	32 3/8 (822)	18 5/8 (473)
KDL-55EX505	52 1/4 (1,324)	31 3/8 (795)	1 (25)	16 7/8 (428)	6 1/2 (165)	16 3/8 (413)	29 5/8 (752)	18 3/8 (466)
KDL-40EX40□*	39 1/8 (992)	23 5/8 (598)	4 7/8 (122)	16 3/4 (425)	6 3/8 (160)	13 1/2 (341)	22 3/8 (567)	18 1/4 (463)
KDL-32EX40□*	31 1/2 (800)	19 5/8 (497)	6 7/8 (172)	16 7/8 (426)	6 1/4 (157)	12 (303)	18 5/8 (470)	18 1/4 (461)
KDL-46EX405	44 3/8 (1,127)	26 5/8 (674)	3 3/8 (84)	16 3/4 (424)	6 1/2 (162)	14 5/8 (369)	25 1/4 (640)	18 3/8 (464)
KDL-32EX30□*	31 1/2 (800)	19 5/8 (497)	6 7/8 (172)	16 7/8 (426)	6 1/4 (157)	12 (303)	18 5/8 (470)	18 1/4 (461)

* In the actual model names, the "□" indicates numbers and/or characters specific to each model.

** Do not install the TV in an inclined position. It is designed to be operated in a vertical position only. Eject and take out any disc from the built-in BD player before installing the TV on a wall.



Figures in the above table may differ slightly depending on the installation.

CAUTION

The wall that the TV will be installed on should be capable of supporting a weight of at least four times that of the TV. Refer to your TV's operating instructions for its weight.

3 Install the Base Bracket on the wall.

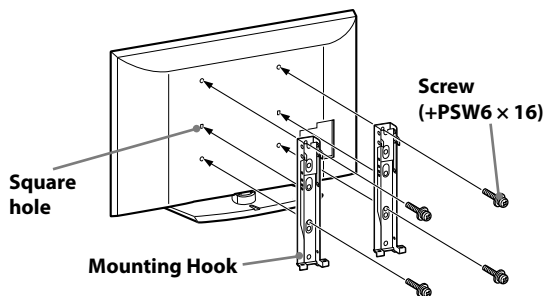
Refer to the Instructions for SU-WL500.

4 Disconnect all the cables from the TV.

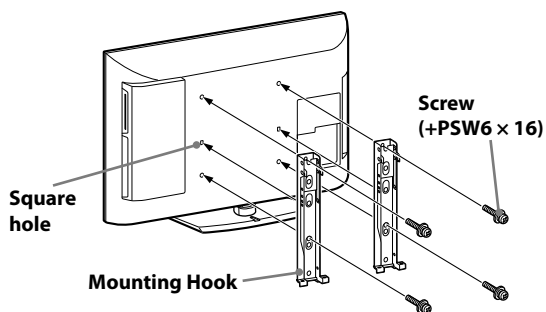
5 Secure the Mounting Hook to the rear of the TV.

Determine the screw locations and secure the Mounting Hooks to the rear of the TV. Refer to the "Screw and Hook Locations Diagram/Table" shown below.

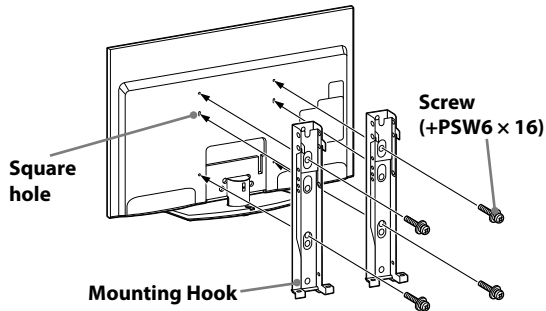
KDL-□□HX□□□*, KDL-□□EX50□*, KDL-□□EX40□*, KDL-□□EX30□* only



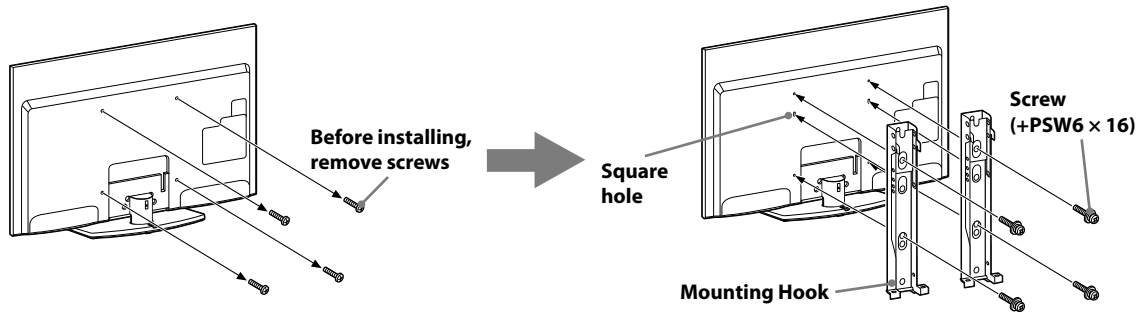
KDL-40EX40B, KDL-32EX40B only



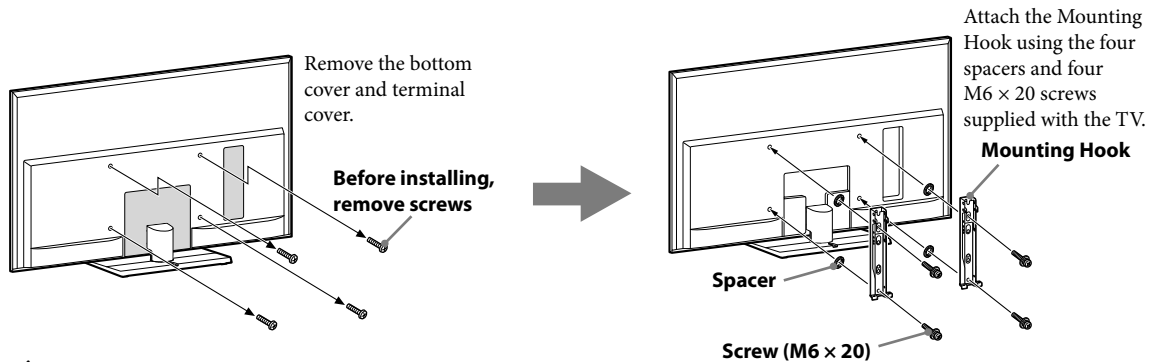
KDL-□□EX60□* only



KDL-□□EX70□* only



KDL-60NX80□* only



- Place the TV on the Table-Top Stand, when securing the Mounting Hook.
- When installing the TV on a wall, remove the four screws installed in the wall mounting holes from the rear of the TV. Be sure to store the removed screws in a safe place, keeping them away from children. When attaching the Table-Top Stand again, be sure to fasten the removed screws to the original holes on the rear of the TV (KDL-□□EX70□* and KDL-60NX80□* only).

* In the actual model names, the "□" indicates numbers and/or characters specific to each model.

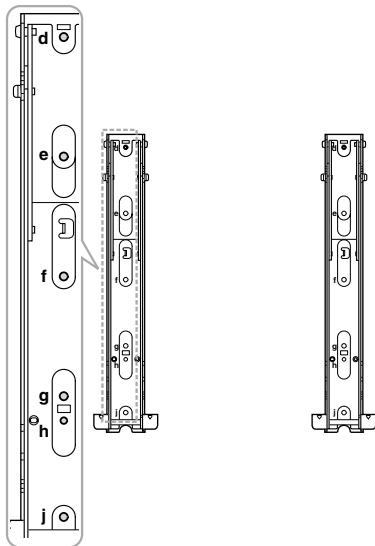
Screw and Hook Locations Diagram/Table

Model Name	Screw Locations	Hook Location
KDL-60NX80□*/KDL-60EX70□*	e, j	a
KDL-55HX701/KDL-60EX50□*/ KDL-55EX50□*	d, g	a
KDL-46HX701/KDL-40HX701/KDL-40EX40B/ KDL-46EX50□*/KDL-40EX50□*/ KDL-46EX40□*/KDL-40EX40□*	d, g	b
KDL-52EX70□*/KDL-46EX70□*/ KDL-40EX70□*/KDL-46EX60□*/ KDL-40EX60□*	e, j	b
KDL-32EX70□*/KDL-32EX60□*	f, j	c
KDL-32EX40B/KDL-32EX50□*/ KDL-32EX40□*/KDL-32EX30□*	e, g	c

* In the actual model names, the "□" indicates numbers and/or characters specific to each model.

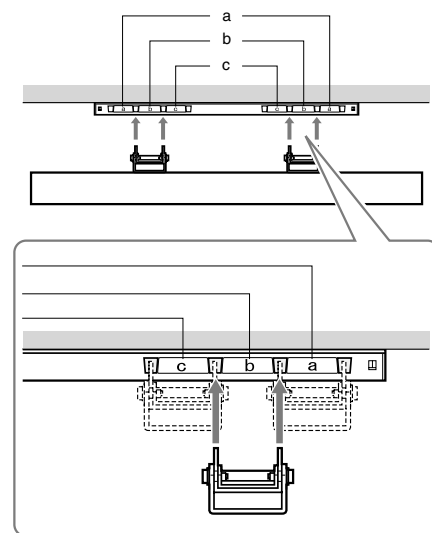
Screw Location

When installing the Mounting Hook on the TV.



Hook Location

When installing the TV onto the Base Bracket.



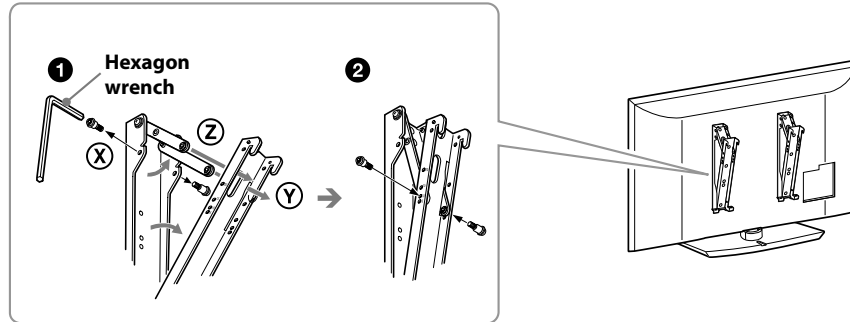
- Available TV models vary depending on the country/region.
- The availability of this Wall-Mount Bracket (SU-WL500) varies depending on the country/region.

6

Adjust the angle of the Mounting Hook using the hexagon wrench supplied with the Wall-Mount Bracket.

When installing the TV parallel to the wall (0 degrees), adjustment of the Mounting Hook angle (procedures ① and ② below) is not necessary. Make sure that each arm base **X** is screwed in securely.

- ① Remove the two screws from the arm base **X** of the Mounting Hook. Choose the holes corresponding to the desired angle (5, 10, 15 or 20 degrees).
- ② Adjust the angles of the top **Y** and bottom **Z** arm to fit the corresponding hole, and firmly secure each arm using the two screws removed in the previous procedure ①.



- Be sure to adjust the right and left arms to the same angle.
- Make sure that the two arm bases are screwed in securely.

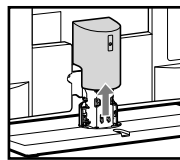
CAUTION

Be careful not to pinch your fingers when adjusting the angle of the Mounting Hook.

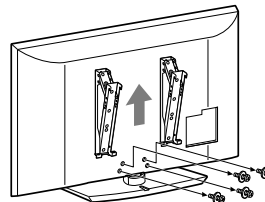
7

Remove the screws from the back of the TV.

Do not remove any other screws from the TV.



KDL-32EX6□□*,
KDL-32EX7□□*,
KDL-40EX6□□*,
KDL-40EX7□□* only



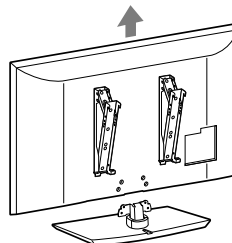
* In the actual model names, the "□" indicates numbers and/or characters specific to each model.

8

Lift the TV off the stand. Make sure that you carry out this task with at least two or three people.

Do not attempt to lift the TV by yourself.

For holding and carrying the TV, refer to your TV's instructions.



9 Install the TV on the wall.

Refer to the Instructions for SU-WL500.



- When you put the TV back on the stand, reverse the above steps.
- Remove the screws or install the Mounting Hook on a stable and level surface.

Free Manuals Download Website

<http://myh66.com>

<http://usermanuals.us>

<http://www.somanuals.com>

<http://www.4manuals.cc>

<http://www.manual-lib.com>

<http://www.404manual.com>

<http://www.luxmanual.com>

<http://aubethermostatmanual.com>

Golf course search by state

<http://golfingnear.com>

Email search by domain

<http://emailbydomain.com>

Auto manuals search

<http://auto.somanuals.com>

TV manuals search

<http://tv.somanuals.com>