

Additional Information for Using Sony Wall-Mount Bracket (SU-WL700)

Compatible TV models for this Wall-Mount Bracket information:

**KDL-52NX807/KDL-52NX800/KDL-46NX807/KDL-46NX800/KDL-46NX705/
KDL-40NX705/KDL-46NX700/KDL-40NX700**

For product protection and safety reasons, Sony strongly recommends that you use the Wall-Mount Bracket model designed for your TV and that the wall-mounting of your TV is performed by Sony dealers or licensed contractors.

To Customers

Please provide your licensed contractor with this installation supplement as well as the instructions (supplied with the SU-WL700 Wall-Mount Bracket). Read these documents carefully for safety and proper installation.

To Sony Dealers and Contractors

Provide full attention to safety during the installation, periodic maintenance and examination of this product.

Sufficient expertise is required in installing this product, especially to determine the strength of the wall for withstanding the TV's weight. Be sure to entrust the attachment of this product to the wall to Sony dealers or licensed contractors and pay adequate attention to safety during the installation. Sony is not liable for any damage or injury caused by mishandling or improper installation.

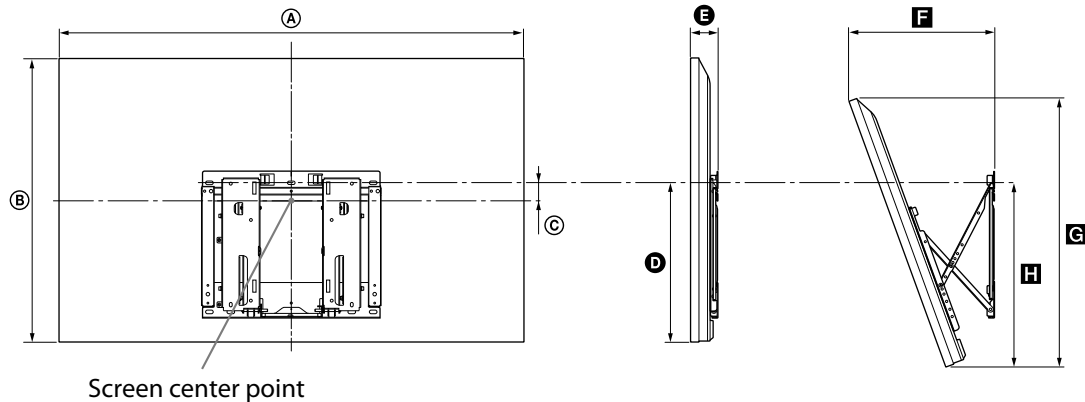
For proper installation, follow your wall-mount bracket instructions and the directions below.

Installing the Wall-Mount Bracket

Install the Base Bracket and Mounting Bracket.

- 1** Open the Wall-Mount Bracket package and check for all the required parts along with the Instructions.
- 2** Decide where you want to install your TV. Refer to the TV installation dimensions table.

Dimension Table



Unit: inches (mm)

Model Name	Display dimensions		Screen center dimensions C	Length for each mounting angle				
	A	B		Angle (0°)		Angle (20°)		
				D	E	F	G	H
KDL-52NX80□*	49 ³ / ₄ (1,261)	31 (787)	17/32 (13)	16 ⁵ / ₈ (421)	3 (75)	15 ³ / ₈ (389)	29 ³ / ₈ (745)	19 ¹ / ₄ (488)
KDL-46NX80□*	44 ³ / ₈ (1,127)	28 (710)	2 ¹ / ₈ (52)	16 ⁵ / ₈ (421)	3 (75)	14 ³ / ₈ (362)	26 ¹ / ₂ (673)	19 ¹ / ₄ (488)
KDL-46NX70□*	44 ³ / ₈ (1,127)	28 ¹ / ₄ (716)	2 ¹ / ₈ (52)	16 ⁷ / ₈ (427)	3 (75)	14 ³ / ₈ (362)	26 ³ / ₄ (679)	19 ¹ / ₂ (493)
KDL-40NX70□*	39 ¹ / ₄ (994)	25 ¹ / ₄ (641)	3 ⁵ / ₈ (89)	16 ⁷ / ₈ (427)	3 (75)	13 ³ / ₈ (337)	24 (608)	19 ¹ / ₂ (493)

* In the actual model names, the "□" indicates numbers and/or characters specific to each model.

Figures in the above table may differ slightly depending on the installation.

CAUTION

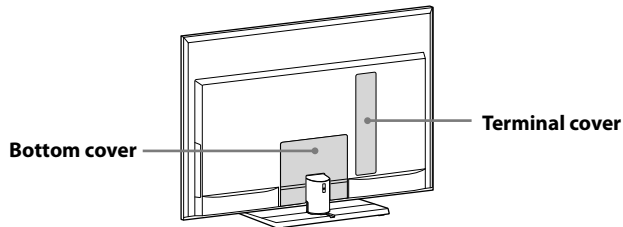
The wall that the TV will be installed on should be capable of supporting a weight of at least four times that of the TV. Refer to your TV's operating instructions for its weight.


- 3** Install the Base Bracket on the wall.
Refer to the Instructions for SU-WL700.

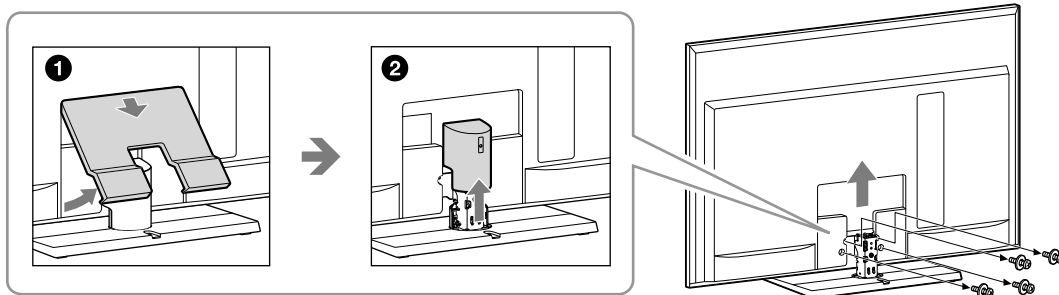
4

Detach the Table-Top Stand from the TV, if necessary.

Remove the bottom cover and terminal cover first before detaching the Table-Top Stand.



Remove the screws guided by the arrow marks  of the TV.



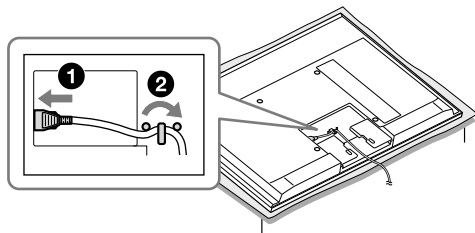
- Do not remove the Table-Top Stand for any reason other than to install corresponding accessories on the TV.
- When removing the Table-Top Stand from the TV, lay the TV face down on a stable work surface that is larger than the TV.
- To prevent damaging the surface of the TV, make sure to place a soft cloth on the work surface.
- When lifting or moving the TV, keep a soft cloth underneath to prevent damage.
- The number and position of the screws on the rear of the TV differs, depending on the model of TV; be sure to read the operating instructions of your TV.

CAUTION

- If pressure or shock is applied to the surface of the TV, the TV may break or become damaged.
- Lay the TV face down on a stable and level surface with the Table-Top Stand hanging over the edge of the surface. Having the TV face and the base of the Table-Top Stand on the same level surface will create an unstable working condition and can damage the TV.
- When detaching the Table-Top Stand from the TV, hold the Table-Top Stand securely with both hands.

5

Connect the supplied AC power cord.

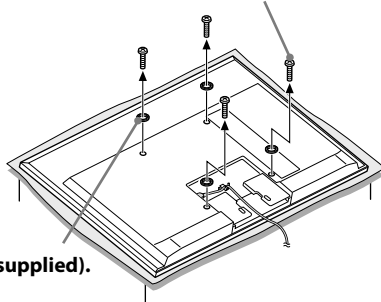


- Do not attach the bottom cover and terminal cover.

6

Place the Spacers. (KDL-52NX80□* only)

- 1 Remove the four screws, and be sure to store them in a safe place, keeping them away from children.



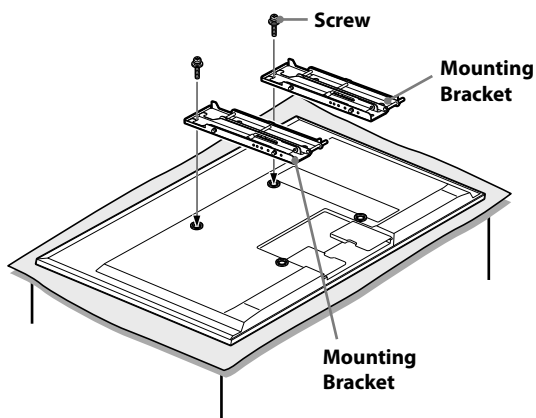
- 2 Place the four spacers (supplied).

* In the actual model names, the "□" indicates numbers and/or characters specific to each model.

7

Attach the Mounting Bracket to the rear of the TV temporarily.

Temporarily tighten the top of the Mounting Bracket using two screws (+PSW M6 × 16).



8

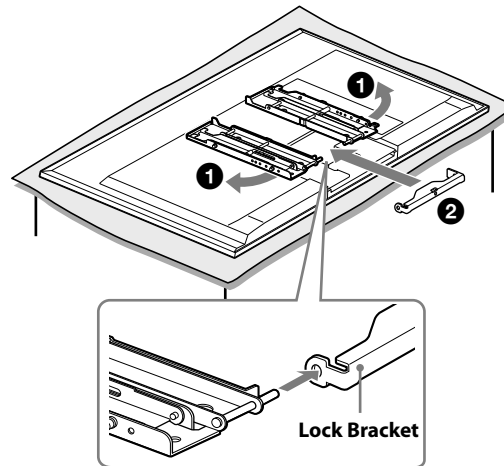
Attach the Lock Bracket to the bottom of the Mounting Bracket.

- 1 Temporarily move the bottom of the Mounting Bracket outwards.



- If the bottom of the Mounting Bracket does not move, loosen the screws (return to step 7).

- 2 Insert the pins of the Mounting Bracket through the holes of the Lock Bracket. Return the Mounting Bracket to their original position to attach the Lock Bracket.

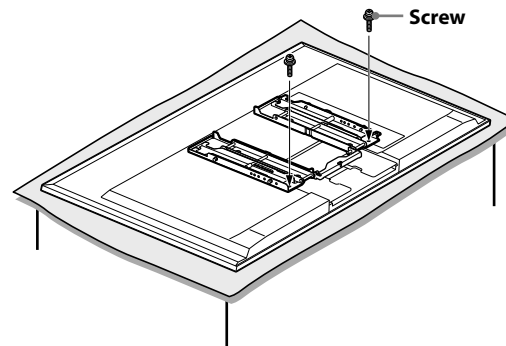


9

Secure the Mounting Bracket to the rear of the TV.

When using an electric screwdriver, set the torque setting to approximately 2 N•m {20 kgf•cm}.

- 1 Tighten the bottom of the Mounting Bracket using two screws (+PSW M6 × 16).
- 2 Be sure that all screws are securely tightened with equal torque to the rear of the TV.

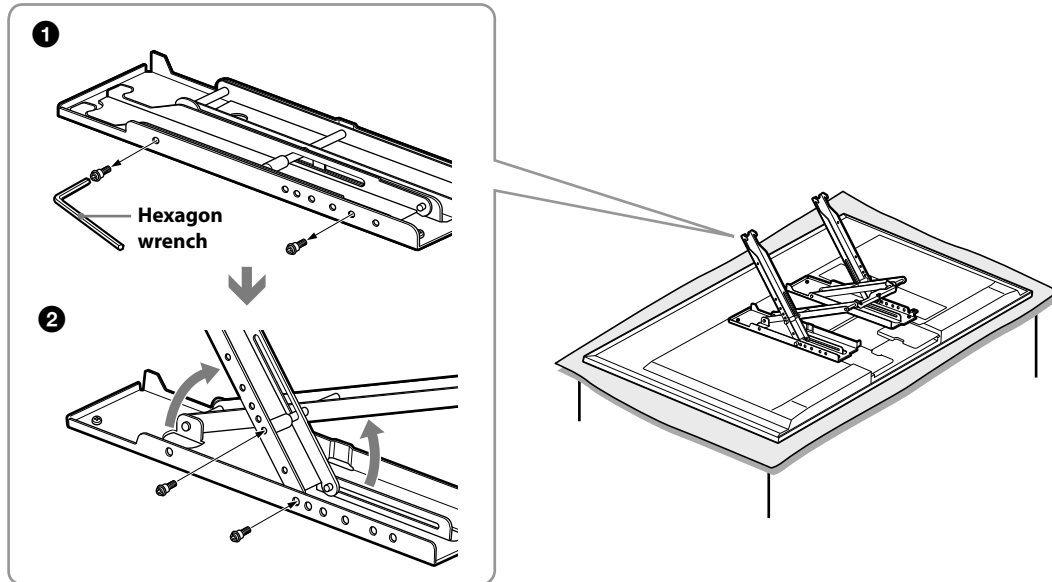


10**Adjust the angle of the Mounting Bracket.**

Use the supplied hexagon wrench.

When installing the Display parallel to the wall (0 degrees), adjustment of the Mounting Bracket angle (procedures ① and ② below) is not necessary.

- ① Remove the two angle adjusting screws from the Mounting Bracket.
- ② Secure the screws to the corresponding holes for the desired angle (“■,” “5,” “10,” “15” or “20”).



- Be sure that both the left and right sides are set to the same angle, and secure the screws to the corresponding angle holes (two screws for each side, left and right).
- Make sure that the two arms of the Mounting Bracket are screwed in securely.

CAUTION

Be careful not to pinch your fingers when adjusting the angle of the Mounting Bracket.

11**Install the TV on the wall.**

Refer to the Instructions for SU-WL700.

Make sure that you carry out this task with at least two or three people.

Do not attempt to lift the TV by yourself.

For holding and carrying the TV, refer to your TV's instructions.



- When you put the TV back on the stand, reverse the above steps.
- Remove the screws or install the Mounting Bracket on a stable and level surface.
- Available TV models vary depending on the country/region.
- The availability of this Wall-Mount Bracket (SU-WL700) varies depending on the country/region.

Free Manuals Download Website

<http://myh66.com>

<http://usermanuals.us>

<http://www.somanuals.com>

<http://www.4manuals.cc>

<http://www.manual-lib.com>

<http://www.404manual.com>

<http://www.luxmanual.com>

<http://aubethermostatmanual.com>

Golf course search by state

<http://golfingnear.com>

Email search by domain

<http://emailbydomain.com>

Auto manuals search

<http://auto.somanuals.com>

TV manuals search

<http://tv.somanuals.com>