

# Personal Audio Docking System

## Operating Instructions **US**



©2011 Sony Corporation Printed in China

<http://www.sony.net/>

RDP-M5iP

### Owner's Record

The model number and the serial number are located on the bottom. Record the serial number in the space provided below. Refer to them whenever you call upon your Sony dealer regarding this product.

Model No. RDP-M5iP

Serial No. \_\_\_\_\_

**For customers in the USA**  
Please register this product on line at <http://www.sony.com/productregistration>  
Proper registration will enable us to send you periodic updates about new products, services, and other important announcements. Registering your product will also allow us to contact you in the unlikely event that the product needs adjustment or modification. Thank you.

## WARNING

**To reduce the risk of fire or electric shock, do not expose this apparatus to rain or moisture.**

To reduce the risk of fire, do not cover the ventilation of the apparatus with newspapers, tablecloths, curtains, etc. And do not place lighted candles on the apparatus.

To reduce the risk of fire or electric shock, do not expose this apparatus to dripping or splashing, and do not place objects filled with liquids, such as vases, on the apparatus.

Do not install the appliance in a confined space, such as a bookcase or built-in cabinet.

Do not expose the batteries (battery pack or batteries installed) to excessive heat such as sunshine, fire or the like for a long time.

As the main plug of AC adaptor is used to disconnect the AC adaptor from the mains, connect it to an easily accessible AC outlet. Should you notice an abnormality in it, disconnect it from the AC outlet immediately.

The unit is not disconnected from the AC power source (mains) as long as it is connected to the wall outlet, even if the unit itself has been turned off.

The nameplate and important information concerning safety are located on the bottom exterior of the main unit and on the surface of the AC adaptor.

You are cautioned that any changes or modifications not expressly approved in this manual could void your authority to operate this equipment.

### CAUTION

Danger of explosion if battery is incorrectly replaced. Replace only with the same type.

### NOTE

This equipment has been tested and found to comply with the limits for a Class B digital device, pursuant to Part 15 of the FCC Rules. These limits are designed to provide reasonable protection against harmful interference in a residential installation. This equipment generates, uses and can radiate radio frequency energy and, if not installed and used in accordance with the instructions, may cause harmful interference to radio communications. However, there is no guarantee that interference will not occur in a particular installation. If this equipment does cause harmful interference to radio or television reception, which can be determined by turning the equipment off and on, the user is encouraged to try to correct the interference by one or more of the following measures:

- Reorient or relocate the receiving antenna.
- Increase the separation between the equipment and receiver.
- Connect the equipment into an outlet on a circuit different from that to which the receiver is connected.
- Consult the dealer or an experienced radio/TV technician for help.

### WARNING

- Replace the battery for the remote commander with a Sony CR2025 lithium battery only. Use of another battery may present a risk of fire or explosion.
- Battery may explode if mistreated. Do not recharge, disassemble or dispose of in fire.
- Dispose of used battery promptly. Keep away from children.

### Important Safety Instructions

- 1) Read these instructions.
- 2) Keep these instructions.
- 3) Heed all warnings.
- 4) Follow all instructions.
- 5) Do not use this apparatus near water.
- 6) Clean only with dry cloth.
- 7) Do not block any ventilation openings. Install in accordance with the manufacturer's instructions.
- 8) Do not install near any heat sources such as radiators, heat registers, stoves, or other apparatus (including amplifiers) that produce heat.
- 9) Do not defeat the safety purpose of the polarized or grounding-type plug. A polarized plug has two blades with one wider than the other. A grounding type plug has two blades and a third grounding prong. The wide blade or the third prong are provided for your safety. If the provided plug does not fit into your outlet, consult an electrician for replacement of the obsolete outlet.
- 10) Protect the power cord from being walked on or pinched particularly at plugs, convenience receptacles, and the point where they exit from the apparatus.
- 11) Only use attachments/accessories specified by the manufacturer.
- 12) Use only with the cart, stand, tripod, bracket, or table specified by the manufacturer, or sold with the apparatus. When a cart is used, use caution when moving the cart/apparatus combination to avoid injury from tip-over.



- 13) Unplug this apparatus during lightning storms or when unused for long periods of time.
- 14) Refer all servicing to qualified service personnel. Servicing is required when the apparatus has been damaged in any way, such as power-supply cord or plug is damaged, liquid has been spilled or objects have fallen into the apparatus, the apparatus has been exposed to rain or moisture, does not operate normally, or has been dropped.

### For the state of California USA only

Perchlorate Material –special handling may apply, see [www.dtsc.ca.gov/hazardouswaste/perchlorate](http://www.dtsc.ca.gov/hazardouswaste/perchlorate)  
Perchlorate Material: Lithium battery contains perchlorate

## Precautions

- To disconnect the AC adaptor, pull it out by the plug, not the cord.
- Since a strong magnet is used for the speaker, keep credit cards using magnetic coding or spring-wound watches, CRT-based TVs, or projectors, etc., away from the unit to prevent possible damage from the magnet.
- Do not leave the unit in a location near a heat source such as a radiator or air duct, or in a place subject to direct sunlight, excessive dust, mechanical vibration, or shock.
- Allow adequate air circulation to prevent internal heat build-up. Do not place the unit on a surface (a rug, a blanket, etc.) or near materials (a curtain) which might block the ventilation holes.
- Should any solid object or liquid fall into the unit, unplug the unit and have it checked by qualified personnel before operating it any further.
- Do not handle the unit with wet hands.
- Do not place the unit anywhere near water.

### NOTES ON LITHIUM BATTERY

- Wipe the battery with a dry cloth to assure a good contact.
- Be sure to observe the correct polarity when installing the battery.
- Do not hold the battery with metallic tweezers, otherwise a short-circuit may occur.

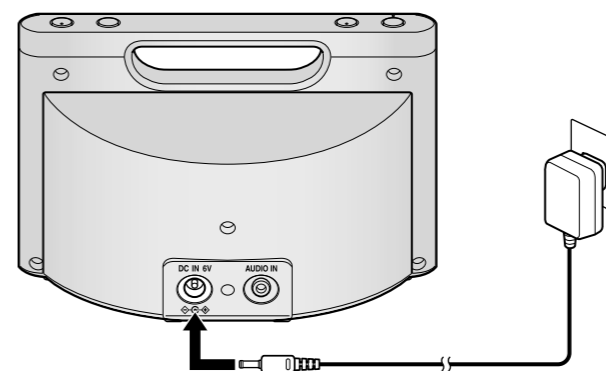
### Note

- In these Operating Instructions, "iPod" is used as a general reference to functions on an iPod or iPhone, unless otherwise specified by the text or illustrations.

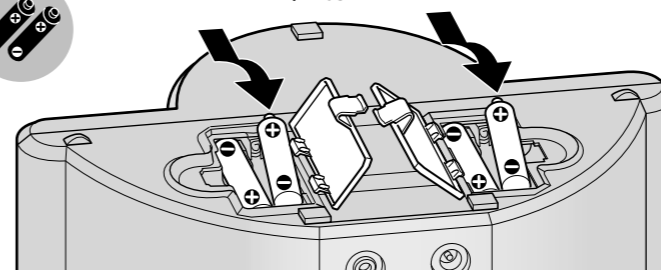
If you have any questions or problems concerning your unit, please consult your nearest Sony dealer.

## Startup Guide

1

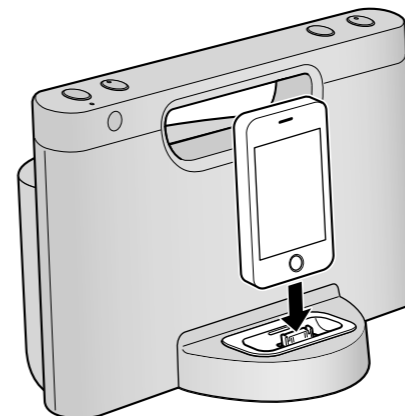


AAA/LR03 × 4\*

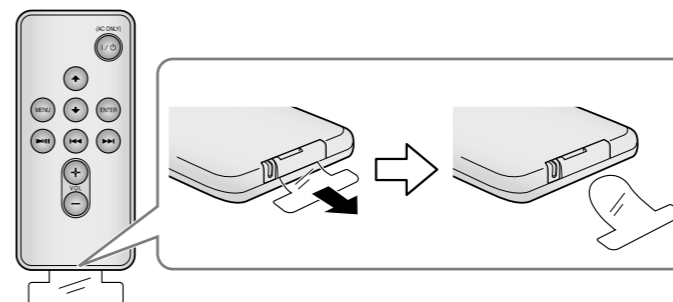


- \* Not supplied.
- Manganese batteries (R03) cannot be used.
- The unit cannot recharge any batteries.

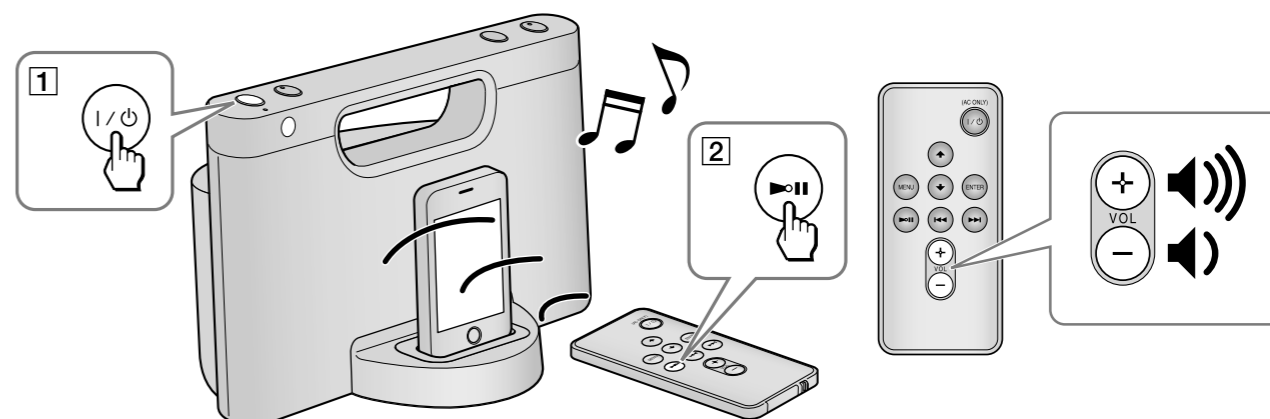
2

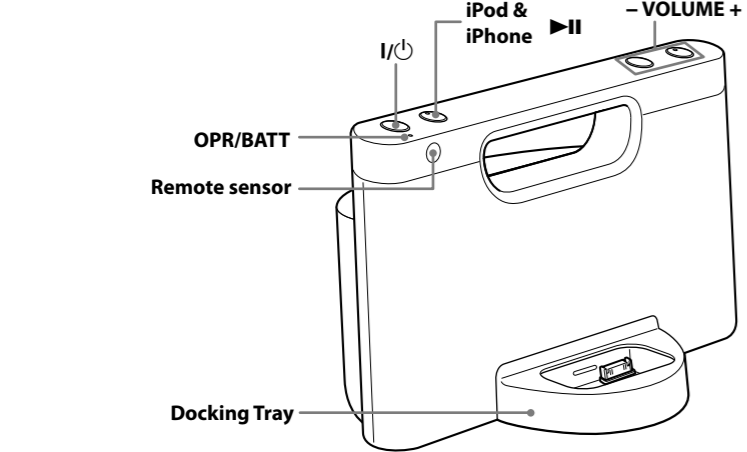


3



4





VOLUME + and ►II buttons have a tactile dot.

## Operations

### Power source

You can use this unit by using house current or installing batteries.

#### Power management system

After playback of the iPod (or component connected to **AUDIO IN** jack) has finished, if no operation is performed for about 20 minutes, the unit will automatically turn off.

### To use house current

Connect the supplied AC adaptor to the **DC IN 6V** jack on the back of this unit firmly, and plug it into a wall outlet.

#### Notes on the AC adaptor

- When operating the unit by the internal batteries, remove the AC adaptor from the wall outlet and the **DC IN 6V** jack. Make sure that the plug of the external power source is disconnected before operating the unit.
- Use the supplied Sony AC adaptor only. The polarity of the plugs of other manufacturers may be different. Failure to use the supplied AC adaptor may cause the unit to malfunction.



### To install batteries

Insert four AAA/LR03 alkaline batteries, or four NH-AAA rechargeable batteries (not supplied).

Battery Life	(JEITA*)
Battery type	Usage time
Sony AAA/LR03 alkaline battery	Approx. 10 hours*
Sony NH-AAA rechargeable battery	Approx. 8 hours*

\* Measured by JEITA (Japan Electronics and Information Technology Industries Association) standards. The actual battery life may vary depending on the circumstance of the unit.

#### When to replace the batteries

When the batteries are weak, the **OPR/BATT** indicator will become faint, and the sound may be distorted.

#### Notes on batteries

- Manganese batteries cannot be used.
- The unit cannot recharge any batteries.
- Do not carry batteries with coins or other metallic objects. It can generate heat if the positive and negative terminals of the batteries are accidentally contacted by a metallic object.
- Be sure to observe the correct polarity when installing the battery.
- If you are not going to use the unit for a long time, remove the batteries to avoid damage from battery leakage and corrosion.
- Do not use different types of batteries at the same time.
- When you replace the batteries, replace them all with new ones.
- Battery performance depends on manufacturer and type, and battery life may be shorter, especially when used in low temperature.

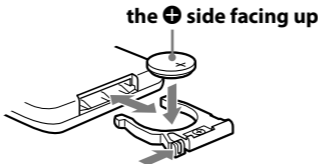
### To charge your iPod (AC only)

You can use the unit as a battery charger for your iPod when the power is supplied by the AC adaptor.

Charging begins when the iPod is connected to the unit. The charging status appears in the display on iPod. For details, see the user's guide of your iPod.

### When to replace the battery

With normal use, the battery (CR2025) should last for about 6 months. When the remote commander no longer operates the unit, replace the battery with a new one.



#### Note

- If you are not going to use the remote commander for a long time, remove the battery to avoid any damage that may be caused by leakage and corrosion.

## Playing an iPod

### Compatible iPod/iPhone models

The compatible iPod/iPhone models are as follows.

Update software of your iPod/iPhone to the latest version before using it with this unit.

iPod touch (4th generation)  
iPod touch (3rd generation)  
iPod touch (2nd generation)  
iPod touch (1st generation)  
iPod nano (6th generation)\*  
iPod nano (5th generation)  
iPod nano (4th generation)  
iPod nano (3rd generation)  
iPod nano (2nd generation)  
iPod with video  
iPod classic  
iPhone 4S  
iPhone 4  
iPhone 3GS  
iPhone 3G  
iPhone

- \*The universal dock adapter for iPod nano (6th generation) is not supplied with the unit (as of March, 2011).

The iPod nano (6th generation) can be used with the unit without the universal dock adapter.

- When inserting an iPod into the unit, be sure to use the universal dock adapter supplied with your iPod, or one commercially available from Apple Inc.
- The iPod nano (6th generation) cannot be controlled by the remote when the command of **"MENU"** "▲" "▼," and **"ENTER"** is pressed.

#### On copyrights

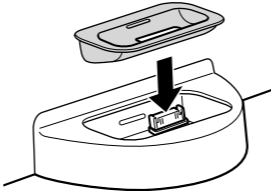
iPhone, iPod, iPod classic, iPod nano, and iPod touch are trademarks of Apple Inc., registered in the U.S. and other countries. "Made for iPod," and "Made for iPhone" mean that an electronic accessory has been designed to connect specifically to iPod or iPhone, respectively, and has been certified by the developer to meet Apple performance standards. Apple is not responsible for the operation of this device or its compliance with safety and regulatory standards. Please note that the use of this accessory with iPod or iPhone may affect wireless performance.

### Universal Dock Adapter

When setting an iPod in the unit, use the supplied universal dock adapter with your iPod or commercially available products from Apple Inc. If you are using an iPhone 4S, iPhone 4, iPhone 3GS, iPhone 3G or iPhone, attach the supplied universal dock adapter (12), (15), or (19). The respective adapter number is located on the underside of each adapter.

#### Supplied Universal Dock Adapter

12	15	19
iPhone	iPhone 3GS/ iPhone 3G	iPhone 4S/ iPhone 4



### Playing

- Attach the adapter for your iPod.
- Set your iPod in the Docking Tray.
- Press ►II.

When using batteries, press I/⏻ on the unit, then press ►II.  
The iPod begins to play back.  
You can operate the connected iPod via this unit or the iPod itself.

#### Notes

- Remove the case or cover from your iPod before setting it in the Docking Tray to ensure a stable connection.
- When placing or removing the iPod, hold the iPod at the same angle as that of the connector on this unit, and do not twist or bend the iPod as it may result in connector damage.
- Do not carry the unit with an iPod set on the Docking Tray. Doing so may cause a malfunction.
- When placing or removing the iPod, hold the Docking Tray securely.
- Before disconnecting the iPod, pause playback.
- If the battery of your iPod is extremely low, charge it for a while before operation.
- An iPod touch/iPhone will not work unless it is turned on. Be sure to turn on the power of the iPod touch/iPhone before operation.
- Sony cannot accept responsibility in the event that data recorded to an iPod is lost or damaged when using an iPod connected to this unit.
- For details of environmental conditions for operating your iPod, check the website of Apple Inc.

### To adjust the volume

Press **VOLUME +/-** (**VOL +/-** on the remote commander).

#### Tip

- The **OPR/BATT** indicator flashes three times when the sound is set to either maximum or minimum volume.

## Connecting optional components

You can enjoy the sound from an optional component, such as a portable digital music player, through the speakers of this unit. Be sure to turn off the power of each component before making any connections.

- Firmly connect the line output jack of a portable digital music player (or other component) to the **AUDIO IN** jack on the back of the unit, using a suitable audio connecting cable (not supplied).
- Press I/⏻ to turn on the unit.
- Turn the connected component on.
- Play the connected component.  
The sound from the connected component is output from the speakers of this unit.

#### Notes

- The audio connecting cable required depends on the external equipment. Make sure the cable is correct for the external equipment to be connected.
- If the volume level is low, adjust the volume of the unit first. If the volume is still too low, adjust the volume of the connected equipment.
- When playing an external component connected to the **AUDIO IN** jack, stop playback of an iPod.
- Disconnect the audio connecting cable when audio-in is not in use.

## Others

## Troubleshooting

#### General

##### The power is not on.

- Make sure the AC adaptor is connected to the wall outlet firmly.
- Make sure the batteries are inserted correctly.
- Replace all the batteries with new ones if they are weak.

##### There is no audio.

- Adjust **VOLUME +/-** (**VOL +/-** on the remote commander).

##### Noise is heard.

- Ensure that the unit is not in the vicinity of in-use portable phones, etc.

##### The two different music sources will be mixed together during playback.

- Disconnect the iPod or external component.

##### The OPR/BATT indicator flashes.

- The **OPR/BATT** indicator flashes when the remote commander's command is received, or when the batteries are weak. In this case it does not mean any error or fault.

#### iPod

##### There is no audio.

- Make sure the iPod is connected firmly.

##### Operation is not performed.

- Make sure the iPod is connected firmly.

##### The iPod does not charge.

- Make sure the iPod is connected firmly.
- Make sure the AC adaptor is connected firmly.

#### Audio-in

##### There is no audio.

- Make sure the audio connecting cable is connected firmly.

##### The sound is low.

- Confirm the volume of the connected external component.

#### Remote commander

##### The remote commander does not function.

- Replace the battery in the remote commander with a new one if it is weak.
- Make sure that you are pointing the remote commander at the remote sensor on the unit.
- Remove any obstacles in the path of the remote commander and the unit.
- Make sure the remote sensor is not exposed to strong light such as direct sunlight or fluorescent lamp light.
- Move closer to the unit when using the remote commander.

If the problem persists, consult your nearest Sony dealer.

## Specifications

#### AUDIO POWER SPECIFICATIONS

POWER OUTPUT AND TOTAL HARMONIC DISTORTION:

With 6 ohm loads both channels driven, from 150 Hz - 10,000 Hz; rated 1 watts per channel minimum RMS power, with no more than 10% total harmonic distortion.

#### Section for iPod

DC out: 5 V

MAX: 1 A

#### General

##### Speaker

Approx. 5.0 cm (2 inches) dia. 6 Ω

##### Input

AUDIO IN jack (ø 3.5 mm stereo minijack)

##### Power output

2 W + 2 W (at 10% harmonic distortion)

##### Power requirements

DC IN 6 V

##### Dimensions

Approx. 226 mm × 165 mm × 164 mm (w/h/d)  
(8 7/8 inches × 6 1/2 inches × 6 1/2 inches)

##### Mass

Approx. 1.1 kg (2 lb 7 oz) (not including batteries)

#### Supplied accessories

Remote commander (1)

AC adaptor (1)

Universal Dock Adapter (12) for iPhone (1)

Universal Dock Adapter (15) for iPhone 3GS/

iPhone 3G (1)

Universal Dock Adapter (19) for iPhone 4S/

iPhone 4 (1)

Design and specifications are subject to change without notice.

SONY®

Portable Audio

## LIMITED WARRANTY (U.S. Only)

Sony Electronics Inc. ("Sony") warrants this product against defects in material or workmanship for the time periods and as set forth below when purchased directly from Sony or a Sony Retailer. Pursuant to this Limited Warranty, Sony will, at its option, (i) repair the product using new or refurbished parts or (ii) replace the product with a new or refurbished product. For purposes of this Limited Warranty, "refurbished" means a product or part that has been returned to its original specifications. **In the event of a defect, these are your exclusive remedies.**

**Labor:** For a period of one (1) year from the original date of purchase of the product ("Labor Warranty"), Sony will, at its option, repair or replace with new or refurbished product, product determined to be defective. If Sony elects to replace the product after this Labor Warranty has expired but while the Parts Warranty below is still in effect, it will do so for the applicable labor charge.

**Parts:** For a period of one (1) year from the original date of purchase of product ("Parts Warranty"), Sony will supply new or refurbished replacement parts in exchange for parts determined to be defective.

This Limited Warranty covers only the hardware components packaged with the Product. It does not cover technical assistance for hardware or software usage and it does not cover any software products whether or not contained in the Product; any such software is provided "AS IS" unless expressly provided for in any enclosed software Limited Warranty. Please refer to the End User License Agreements included with the Product for your rights and obligations with respect to the software.

**Instructions:** To obtain warranty service, you must deliver the product, freight prepaid, in either its original packaging or packaging affording an equal degree of protection to the Sony authorized service facility specified. **It is your responsibility to backup any data, software or other materials you may have stored or preserved on your unit. It is likely that such data, software, or other materials will be lost or reformatted during service and Sony will not be responsible for any such damage or loss.** A dated purchase receipt from Sony or a Sony Retailer is required. For specific instructions on how to obtain warranty service for your product,

Visit Sony's Web Site:

[www.sony.com/support](http://www.sony.com/support)

Or call the **Sony Customer Information Service Center**  
**1-800-222-SONY (7669)**

For an accessory or part not available from your authorized dealer, call:

1-800-488-SONY (7669)

**Repair / Replacement Warranty:** This Limited Warranty shall apply to any repair, replacement part or replacement product for the remainder of the original Limited Warranty period or for ninety (90) days, whichever is longer. Any parts or product replaced under this Limited Warranty will become the property of Sony.

This Limited Warranty only covers product issues caused by defects in material or workmanship during ordinary consumer use; it does not cover product issues caused by any other reason, including but not limited to product issues due to commercial use, acts of God, misuse, limitations of technology, or modification of or to any part of the Sony product or product purchased from other than Sony or a Sony Retailer. To determine if a retailer is part of the Sony Retailer Network, please contact Sony's Customer Service Call Center or go to [www.sony.com/support](http://www.sony.com/support). This Limited Warranty does not cover Sony products sold AS IS or WITH ALL FAULTS or consumables (such as fuses or batteries). This Limited Warranty is invalid if the factory-applied serial number has been altered or removed from the product. This Limited Warranty is valid only in the United States.

**LIMITATION ON DAMAGES:** SONY SHALL NOT BE LIABLE FOR ANY INCIDENTAL OR CONSEQUENTIAL DAMAGES FOR BREACH OF ANY EXPRESS OR IMPLIED WARRANTY ON THIS PRODUCT.

**DURATION OF IMPLIED WARRANTIES:** EXCEPT TO THE EXTENT PROHIBITED BY APPLICABLE LAW, ANY IMPLIED WARRANTY OF MERCHANTABILITY OR FITNESS FOR A PARTICULAR PURPOSE ON THIS PRODUCT IS LIMITED IN DURATION TO THE DURATION OF THIS WARRANTY.

Some states do not allow the exclusion or limitation of incidental or consequential damages, or allow limitations on how long an implied warranty lasts, so the above limitations or exclusions may not apply to you. This Limited Warranty gives you specific legal rights and you may have other rights which vary from state to state.

## Free Manuals Download Website

<http://myh66.com>

<http://usermanuals.us>

<http://www.somanuals.com>

<http://www.4manuals.cc>

<http://www.manual-lib.com>

<http://www.404manual.com>

<http://www.luxmanual.com>

<http://aubethermostatmanual.com>

Golf course search by state

<http://golfingnear.com>

Email search by domain

<http://emailbydomain.com>

Auto manuals search

<http://auto.somanuals.com>

TV manuals search

<http://tv.somanuals.com>