

# MDX-C6400R/C6500R/C6500RX

## SERVICE MANUAL

Ver 1.2 2001.12

AEP Model  
MDX-C6400R/C6500R/C6500RX

UK Model  
MDX-C6500R/C6500RX



Photo: MDX-C6500R

Model Name Using Similar Mechanism	NEW
Base Mechanism Type	MG-164NZ-138
Optical Pick-up Name	KMS-241C

### SPECIFICATIONS

#### MD player section

Signal-to-noise ratio	90 dB
Frequency response	10 – 20,000 Hz
Wow and flutter	Below measurable limit

#### Tuner section

<b>FM</b>	
Tuning range	87.5 – 108.0 MHz
Aerial terminal	External aerial connector
Intermediate frequency	10.7 MHz/450 kHz
Usable sensitivity	8 dBf
Selectivity	75 dB at 400 kHz
Signal-to-noise ratio	66 dB (stereo), 72 dB (mono)
Harmonic distortion at 1 kHz	0.6 % (stereo), 0.3 % (mono)
Separation	35 dB at 1 kHz
Frequency response	30 – 15,000 Hz

#### MW/LW

Tuning range	MW: 531 – 1,602 kHz LW: 153 – 279 kHz
Aerial terminal	External aerial connector
Intermediate frequency	10.7 MHz/450 kHz
Sensitivity	MW: 30 $\mu$ V LW: 40 $\mu$ V

#### Power amplifier section

Outputs	Speaker outputs (sure seal connectors)
Speaker impedance	4 – 8 ohms
Maximum power output	50 W $\times$ 4 (at 4 ohms)

#### General

Outputs	Audio outputs*1 Power aerial relay control lead Power amplifier control lead Telephone ATT control lead*2
Tone controls	Bass $\pm$ 9 dB at 100 Hz Treble $\pm$ 9 dB at 10 kHz
Power requirements	12 V DC car battery (negative ground)
Dimensions	Approx. 178 $\times$ 50 $\times$ 183 mm (w/h/d)
Mounting dimensions	Approx. 182 $\times$ 53 $\times$ 162 mm (w/h/d)
Mass	Approx. 1.2 kg
Supplied accessories	Parts for installation and connections (1 set) Front panel case (1)

\*1 Equipped with front and rear outputs:  
MDX-C6500RX/C6500R only  
Equipped with rear outputs: MDX-C6400R  
\*2 MDX-C6500RX/C6500R only

U.S. and foreign patents licensed from Dolby laboratories Licensing Corporation.

Design and specifications are subject to change without notice.

## FM/MW/LW MINIDISC PLAYER

9-870-051-13  
2001L0500-1  
© 2001.12

**Sony Corporation**  
e Vehicle Company  
Published by Sony Engineering Corporation

# SONY®

## TABLE OF CONTENTS

<b>1. GENERAL</b>	
Location of controls .....	3
Installation .....	4
Connections .....	5
<b>2. DISASSEMBLY</b> .....	9
<b>3. ELECTRICAL ADJUSTMENTS</b>	
Test Mode .....	16
MD Section .....	16
Tuner Section .....	16
<b>4. DIAGRAMS</b>	
4-1. Block Diagram – SERVO Section – .....	17
4-2. Block Diagram – TUNER Section – .....	18
4-3. Block Diagram – MAIN Section – .....	19
4-4. Block Diagram – BUS CONTROL/ POWER SUPPLY Section – .....	20
4-5. Note for Printed Wiring Boards and Schematic Diagrams .....	21
4-6. Printed Wiring Boards – SERVO Board (Component Side)/ SENSOR Board – .....	22
4-7. Printed Wiring Board – SERVO Board (Conductor Side) – .....	23
4-8. Schematic Diagram – SERVO Board (1/2) – .....	24
4-9. Schematic Diagram – SERVO Board (2/2) – .....	25
4-10. Printed Wiring Board – MAIN Board (Component Side) – .....	26
4-11. Printed Wiring Board – MAIN Board (Conductor Side) – .....	27
4-12. Schematic Diagram – MAIN Board (1/3) – .....	28
4-13. Schematic Diagram – MAIN Board (2/3) – .....	29
4-14. Schematic Diagram – MAIN Board (3/3) – .....	30
4-15. Printed Wiring Board – SUB Board – .....	32
4-16. Schematic Diagram – SUB Board – .....	33
4-17. Printed Wiring Board – KEY Board – .....	34
4-18. Schematic Diagram – KEY Board – .....	35
4-19. IC Pin Function Description .....	40
<b>5. EXPLODED VIEWS</b> .....	50
<b>6. ELECTRICAL PARTS LIST</b> .....	54

### NOTES ON HANDLING THE OPTICAL PICK-UP BLOCK OR BASE UNIT

The laser diode in the optical pick-up block may suffer electrostatic break-down because of the potential difference generated by the charged electrostatic load, etc. on clothing and the human body.

During repair, pay attention to electrostatic break-down and also use the procedure in the printed matter which is included in the repair parts.

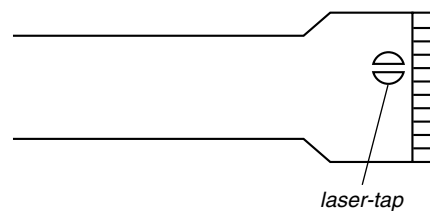
The flexible board is easily damaged and should be handled with care.

### NOTES ON LASER DIODE EMISSION CHECK

Never look into the laser diode emission from right above when checking it for adjustment. It is feared that you will lose your sight.

### NOTES ON HANDLING THE OPTICAL PICK-UP BLOCK (KMS-241C/J1NP).

The laser diode in the optical pick-up block may suffer electrostatic break-down easily. When handling it, perform soldering bridge to the laser-tap on the flexible board. Also perform measures against electrostatic break-down sufficiently before the operation. The flexible board is easily damaged and should be handled with care.



**OPTICAL PICK-UP FLEXIBLE BOARD**

### Notes on chip component replacement

- Never reuse a disconnected chip component.
- Notice that the minus side of a tantalum capacitor may be damaged by heat.

### Flexible Circuit Board Repairing

- Keep the temperature of the soldering iron around 270 °C during repairing.
- Do not touch the soldering iron on the same conductor of the circuit board (within 3 times).
- Be careful not to apply force on the conductor when soldering or unsoldering.

### CAUTION

Use of controls or adjustments or performance of procedures other than those specified herein may result in hazardous radiation exposure.

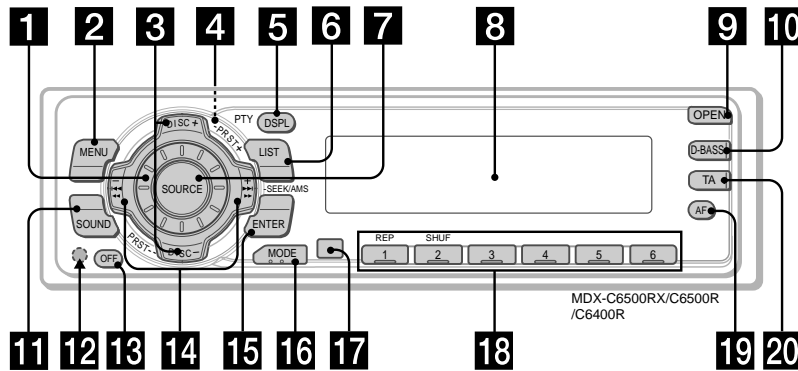
### SAFETY-RELATED COMPONENT WARNING!!

COMPONENTS IDENTIFIED BY MARK  $\triangle$  OR DOTTED LINE WITH MARK  $\triangle$  ON THE SCHEMATIC DIAGRAMS AND IN THE PARTS LIST ARE CRITICAL TO SAFE OPERATION. REPLACE THESE COMPONENTS WITH SONY PARTS WHOSE PART NUMBERS APPEAR AS SHOWN IN THIS MANUAL OR IN SUPPLEMENTS PUBLISHED BY SONY.

# SECTION 1 GENERAL

This section is extracted from instruction manual.

## Location of controls



Refer to the pages listed for details.

- 1** Volume control dial 19
- 2** MENU button 8, 10, 12, 13, 14, 15, 16, 18, 19, 21, 24
- 3** DISC/PRST +/- (cursor up/down) buttons 8, 10, 12, 13, 14, 15, 16, 18, 19, 20, 21, 24  
During CD/MD playback:  
Disc change 10, 13  
During radio reception:  
Preset stations select 16
- 4** ▲ (eject) button (located on the front side of the unit behind the front panel) 9
- 5** DSPL/PTY (display mode change/programme type) button 9, 10, 12, 17, 20
- 6** LIST button 12  
List-up 13
- 7** SOURCE (TUNER/CD/MD) button 8, 9, 10, 13, 15, 16, 19
- 8** Display window
- 9** OPEN button 7, 9, 26
- 10** D-BASS button 25
- 11** SOUND button 23
- 12** Reset button (located on the front side of the unit behind the front panel) 7
- 13** OFF button\* 7, 8, 9
- 14** SEEK/AMS +/- (cursor left/right) buttons 8, 10, 12, 14, 16, 18, 19, 21, 23, 24  
Automatic Music Sensor 10, 14  
Manual Search 10  
Seek 15, 16, 18
- 15** ENTER button 8, 10, 12, 13, 14, 15, 16, 18, 19, 20, 21, 24
- 16** MODE button 19  
During CD or MD playback:  
CD/MD unit select 9, 13  
During radio reception:  
BAND select 15, 16
- 17** Receptor for the card remote commander
- 18** Number buttons  
During radio reception:  
Preset number select 15, 16, 18, 19  
During CD/MD playback:  
① REP 11  
② SHUF 11
- 19** AF button 17, 18, 19
- 20** TA button 18, 19

**\* Warning when installing in a car without ACC (accessory) position on the ignition key switch**  
Be sure to press (OFF) on the unit for two seconds to turn off the clock display after turning off the engine.  
When you press (OFF) only momentarily, the clock display does not turn off and this causes battery wear.

## Setting the clock

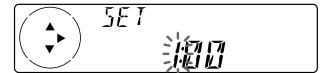
The clock uses a 24-hour digital indication.

Example: To set the clock to 10:08

- 1** Press (MENU), then press either side of (DISC/PRST) repeatedly until "CLOCK" appears.

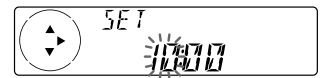


- 1** Press (ENTER).



The hour indication flashes.

- 2** Press either side of (DISC/PRST) to set the hour.



- 3** Press the (+) side of (SEEK/AMS).



The minute indication flashes.

- 4** Press either side of (DISC/PRST) to set the minute.



- 2** Press (ENTER).



The clock starts.

After the clock setting is completed, the display returns to normal play mode.

**Tip**  
You can set the clock automatically with the RDS feature (see page 17).

**Note**  
In the initial setting, the clock indication appears while the unit is turned off.  
When the D.INFO mode is set to ON, the time is always displayed (page 24).

# Installation

# Instalación

# Montering

# Instalação

# Установка

## Precautions

- Choose the installation location carefully so that the unit will not interfere with normal driving operations.
- Avoid installing the unit in areas subject to dust, dirt, excessive vibration, or high temperature, such as in direct sunlight or near heater ducts.
- Use only the supplied mounting hardware for a safe and secure installation.

## Mounting angle adjustment

Adjust the mounting angle to less than 20°.

## Precauciones

- Elija cuidadosamente el lugar de montaje de forma que la unidad no dificulte las funciones normales de conducción.
- Evite instalar la unidad donde pueda quedar sometida a altas temperaturas, como a la luz solar directa o al aire de calefacción, o a polvo, suciedad, o vibraciones excesivas.
- Para realizar una instalación segura y firme, utilice solamente la ferretería de montaje suministrada.

## Ajuste del ángulo de montaje

Ajuste el ángulo de montaje a menos de 20°.

## Säkerhetsföreskrifter

- Var noga när du väljer var i bilen du monterar bilstereon, så att den inte sitter i vägen när du kör.
- Montera inte bilstereon där den utsätts för värme, t.ex. solsken eller varmluft, eller där den utsätts för damm, smuts och/eller vibrationer.
- Använd endast de medföljande monteringsföremålen för att vara säkert på att bilstereon monteras på ett säkert och korrekt sätt.

## Tillåten monteringsvinkel

Monteringsvinkeln får inte vara större än 20 grader.

## Precauções

- Escolha com cuidado um local apropriado para a montagem do aparelho, para que este não interfira com as manobras necessárias à condução do veículo.
- Evite instalar o aparelho onde possa estar sujeito a altas temperaturas, como em locais expostos directamente à luz do sol, ao ar quente dos aquecimentos, ou sujeitos a pó, sujidade ou vibração excessiva.
- Para efectuar uma instalação segura utilize unicamente o material de montagem fornecido.

## Ajuste do ângulo de montagem

Ajuste o ângulo de montagem para menos de 20°.

## Меры предосторожности

- Место для установки магнитолы выбирайте тщательно, чтобы она не мешала нормальному управлению автомобилем.
- Не устанавливайте магнитолу там, где она будет подвержена воздействию пыли, грязи, чрезмерной вибрации или высокой температуре, например в местах, попадающих под прямые солнечные лучи или находящихся вблизи вентиляционных решеток обогревателей.
- В целях обеспечения надежной и безопасной установки используйте лишь входящие в комплект монтажные детали.

## Допустимый угол установки

Установите магнитолу под углом не более 20°.

## How to detach and attach the front panel

Before installing the unit, detach the front panel.

### A To detach

Before detaching the front panel, be sure to press (OFF). Press (OPEN), then slide the front panel to the right side, and pull out the left side.

### B To attach

Place the hole (A) in the front panel onto the spindle (B) on the unit as illustrated, then push the left side in.

## Forma de extraer e instalar el panel frontal

Antes de instalar la unidad, extraiga el panel frontal.

### A Para extraerlo

Antes de extraer el panel frontal, cerriérese de pulsar (OFF). Pulse (OPEN) después, deslícelo hacia la derecha, y por último tire de su parte izquierda.

### B Para instalarlo

Coloque el orificio (A) del panel frontal en el eje (B) de la unidad, como se muestra en la ilustración, y después púise la parte izquierda.

## Ta loss/fästa frontpanelen

Ta loss frontpanelen innan du monterar bilstereon.

### A Ta loss frontpanelen

Var noga med att trycka på (OFF) innan frontpanelen tas loss. Tryck därefter på (OPEN) för att öppna frontpanelen. Skjut frontpanelen åt höger och dra dess vänstra del utåt för att ta loss frontpanelen.

### B Fästa frontpanelen

Placera frontpanelen så att hållet (A) på frontpanelen träffs över axeln (B) på bilstereon enligt illustrationen. Tryck därefter frontpanelens vänstra del inåt.

## Para retirar e colocar o painel frontal

Retire o painel frontal antes de iniciar a instalação do aparelho.

### A Para retirar

Antes de retirar o painel frontal, tem de carregar primeiro em (OFF). A seguir, carregue em (OPEN) para soltar o painel frontal e empurre-o para a direita. Depois puxe o lado esquerdo do painel para fora.

### B Para colocar

Coloque o orifício (A) do painel frontal no eixo (B) do aparelho tal como ilustrado, e depois carregue no lado esquerdo para dentro.

## Порядок снятия и установки передней панели

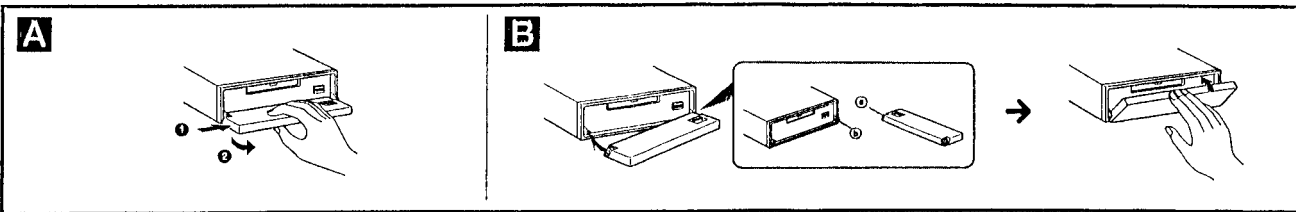
Перед установкой магнитолы снимите с нее переднюю панель.

### A Снятие панели

Прежде чем снимать переднюю панель, обязательно отключите магнитолу, нажав клавишу (OFF). Затем нажмите (OPEN), сдвиньте переднюю панель вправо и, потянув за левую часть панели, снимите ее.

### B Установка панели

Сначала совместите отверстие (A) на передней панели со штырьком (B) на магнитоле, как это показано на иллюстрации, а затем вдавите в левую часть панели.



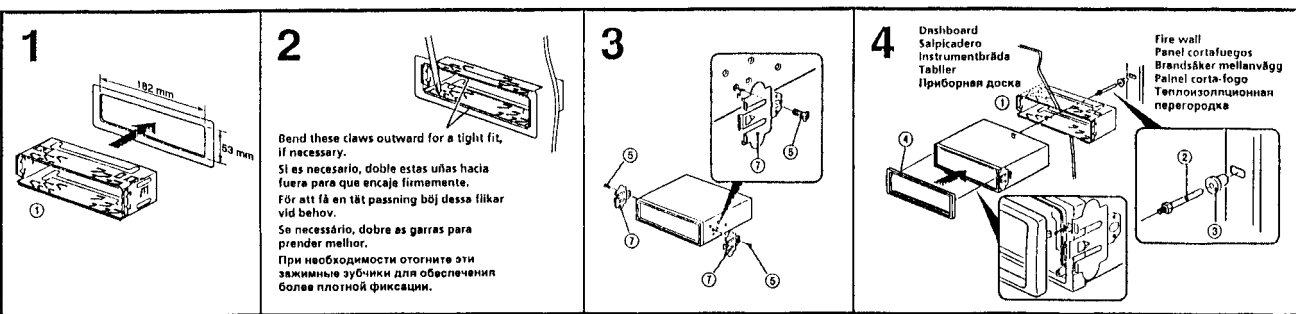
## Installation in the dashboard

## Instalación en el salpicadero

## Montera på instrumentbrådan

## Instalação no tablier

## Установка магнитолы в приборной доске



## Reset button

When the installation and connections are completed, be sure to press the reset button with a ball-point pen, etc.

## Botón de reposición

Cuando finalice la instalación y las conexiones, cerciórese de pulsar el botón de reposición con un bolígrafo, etc.

## Nullställningsknappen

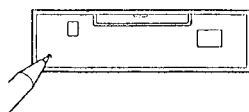
Kom ihåg att använda en pennspets eller något annat spetsigt föremål för att trycka på nullställningsknappen när avslutningen och monteringen är klar.

## Botão de reinicialização

Quando terminar a instalação e as ligações, não se esqueça de carregar no botão de reinicialização com a ponta de uma caneta, etc.

## Кнопка переустановки

По окончании установки и всех подсоединений не забудьте нажать кончиком шариковой ручки или иным аналогичным предметом кнопку переустановки.



# Connections

## Cautions

- This unit is designed for negative ground 12 V DC operation only.
- Be careful not to pinch any wires between the screw and the body of the car, or this unit, or between any moving parts such as the seat railing, etc.
- Connect the power connecting cord (C) to the unit and speakers before connecting it to the auxiliary power connector.
- Run all ground wires to a common ground point.
- Connect the yellow cord to a free car circuit rated higher than the unit's fuse rating. If you connect this unit in combination with other stereo components, the car circuit they are connected to must be rated higher than the sum of the individual components' fuse rating. If there are no car circuits rated as high as the unit's fuse rating, connect the unit directly to the battery. If no car circuits are available for connecting this unit, connect the unit to a car circuit rated higher than the unit's fuse rating in such a way that if the unit blows its fuse, no other circuits will be cut off.

## Notes of connection example

### Notes on the control and power supply leads

- The power aerial control lead (blue) supplies +12 V DC when you turn on the tuner or when you activate the AF (Alternative Frequency), TA (Traffic Announcement) function.
- A power aerial without a relay box cannot be used with this unit.
- When your car has built-in FM/MW/LW aerial in the rear/side glass, it is necessary to connect the power aerial control lead (blue) to the power terminal of the existing aerial booster. For details, consult your dealer.

### Warning

If you leave a power aerial without a relay box, connecting this unit with the supplied power connecting cord (C) may damage the aerial.

### Memory hold connection

When the yellow power input lead is connected, power will always be supplied to the memory circuit even when the ignition switch is turned off.

### Notes on speaker connection

- Before connecting the speakers, turn the unit off.
- Use speakers with an impedance of 4 to 8 ohms, and with adequate power handling capacities. Otherwise, the speakers may be damaged.
- Do not connect the terminals of the speaker system to the car chassis, and do not connect the terminals of the right speaker with those of the left speaker.
- Do not attempt to connect the speakers in parallel.
- Do not connect any active speakers (with built-in amplifiers) to the speaker terminals of the unit. Doing so may damage the active speakers. Therefore, be sure to connect passive speakers to these terminals.

### Warning when installing in a car without ACC (accessory) position on the ignition key switch

Be sure to press (OFF) on the unit for two seconds to turn off the clock display after turning off the engine.

When you press (OFF) only momentarily, the clock display does not turn off and this causes battery wear.

# Conexiones

## Precauciones

- Esta unidad ha sido diseñada para alimentarse con 12 V CC, negativo a masa, solamente.
- Tenga cuidado de no atrapar ningún cable entre algún tornillo y la carrocería del automóvil o esta unidad o entre las partes móviles, como por ejemplo los ralles del asiento, etc.
- Conecte el cable de conexión de alimentación (C) a la unidad y los altavoces antes de conectarlo al conector de alimentación auxiliar.
- Conecte todos los conductores de puesta a masa a un punto común.
- Conecte el cable amarillo a un circuito libre del automóvil de potencia nominal superior a la del fusible de la unidad. Si conecta esta unidad en combinación con otros componentes estéreo, la potencia nominal del circuito del automóvil a los que dichos componentes estén conectados debe ser superior a la suma de la potencia nominal del fusible de los componentes. Si no existen circuitos de automóvil de potencia nominal tan alta como la del fusible de la unidad, conecte ésta directamente a la batería. Si no hay circuitos de automóvil disponibles para conectar esta unidad, conecte la misma a un circuito de automóvil de potencia nominal superior a la del fusible de la unidad de forma que no se desactiven otros circuitos si el fusible de dicha unidad se funde.

## Notes de ejemplo de conexiones

### Notes sobre los cables de control y de suministro de alimentación

- El conductor (azul) de control de la antena motorizada suministra +12 V CC al encender el sintonizador o al activar la función AF (Frecuencias alternativas) o TA (Anuncios de tráfico).
- Con esta unidad no podrá utilizarse una antena motorizada sin caja de relé.
- Si el automóvil dispone de una antena de FM/MW/LW incorporada en el cristal trasero/lateral, será necesario conectar el cable de control de antena motorizada (azul) o el cable de entrada de alimentación auxiliar (rojo) al terminal de alimentación del amplificador de antena existente. Para obtener información detallada, consulte a su proveedor.

### Advertencia

Si dispone de una antena motorizada sin dispositivo de relé, la conexión de esta unidad con el cable de conexión de alimentación (C) suministrado puede dañar la antena.

### Conexión para protección de la memoria

Si conecta el conductor de entrada amarillo, el circuito de la memoria recibirá siempre alimentación, incluso aunque ponga la llave de encendido en la posición de apagado.

### Notes sobre la conexión de los altavoces

- Antes de conectar los altavoces, desconecte la alimentación de la unidad.
- Utilice altavoces con una impedancia de 4 a 8 ohmios, y con la potencia máxima admisible adecuada, ya que de lo contrario podría dañarlos.
- No conecte los terminales del sistema de altavoces al chasis del automóvil, ni los del altavoz izquierdo a los del derecho.
- No intente conectar los altavoces en paralelo.
- No conecte altavoces activos (con amplificadores incorporados) a los terminales de altavoces de la unidad. Si lo hiciese, podría dañar tales altavoces. Por lo tanto, cerciórese de conectar altavoces pasivos a estos terminales.

**Advertencia sobre la instalación en un automóvil que no disponga de posición ACC (accesorios) en el interruptor de la llave de encendido**  
Asegúrese de pulsar (OFF) en la unidad durante dos segundos para desactivar la indicación del reloj después de apagar el motor.

Si pulsa (OFF) sólo momentáneamente, la indicación del reloj no se desactivará y esto causará el desgaste de la batería.

# Anslutning

## Säkerhetsföreskrifter

- Denna bilsterio är endast avsedd för anslutning till ett negativt jordat, 12 V bilbatteri.
- Vär noga med att inga kablar kläms mellan någon skruv eller att de blir klämda mellan rörliga delar som tex. bilsätet.
- Anslut strömkabeln (C) till enheten och högtalarna innan du ansluter den till det yttre strömanslutnings.
- Dras samtliga jordledningar till en och samma jordningspunkt.
- Anslut den gula kabeln till en ledig bilrets med en högre ampere än enheten. Om du seriekopplar enheten till andra stereokomponenter måste den bilrets de kopplas till ha en högre ampere än summan av de enskilda delarnas amperestyrka. Om det inte finns några bilretsar med en så hög amperestyrka som enhetens ska du ansluta enheten direkt till batteriet. Om inga bilretsar finns för anslutning till enheten ska du ansluta enheten till en bilrets med en högre ampere än enhetens styrka så att inga andra säkringar går om enhetens säkring smälter.

## Att observera angående anslutningsexemplen

### Ledningarna för styrning och strömförsörjning

- Motorutvettens styrkabel (blå) leder +12 V DC när du sätter på radion och när du aktiverar någon av funktionerna AF (alternativ frekvens) eller TA (trafikmeddelanden).
- En motorantenn utan styrreläbox kan inte anslutas till denna bilsterio.
- Om bilen har en FM/MW/LW-antenn inbyggd i bak- eller sidorutan måste du ansluta motorantennens styrkabel (blå) eller strömkabeln för tillbehör (röd) till strömterminalen på den befintliga antenneförstärkaren. Om återförstärkaren kan ge dig mer information om detta.

### Varning

Om du har en motorantenn utan reläbox kan antennen skadas om du ansluter enheten med den medföljande strömkabeln (C).

### Anslutning för minnesöad

När du ansluter den gula, ingående strömkabeln försäkras minnesretsen med ström hela tiden, även när tändlåset slås ifrån.

### Att observera angående högtalarnas anslutning

- Själva bilsterion innan du ansluter högtalarna.
- Är endast en högtalare, vars impedans varierar från 4 till 8 ohm och som har tillräcklig effektkapacitet för att skydda högtalarna mot skador.
- Anslut inte något av högtalarutgången till bilens chassi. Anslut inte heller utgången på höger högtalare till utgången på vänster högtalare.
- Anslut inte högtalarna parallellt.
- Anslut inte aktiva högtalare (med inbyggd sluttstag) till bilsterions högtalarutgång, eftersom de kan skada de aktiva högtalarna. Var noga med att bara ansluta passiva högtalare till dessa utgångar.
- Do not connect any active speakers (with built-in amplifiers) to the speaker terminals of the unit. Doing so may damage the active speakers. Therefore, be sure to connect passive speakers to these terminals.

### Var försiktig när du gör installationen i en bil där tändningslåset saknar tillbehörläge (ACC)

Glöm inte att stänga av klockvisningen när du har stängt av motorn. Du stänger av den genom att trycka på (OFF) på enheten under två sekunder. Om du bara trycker på (OFF) ett kort ögonblick slöcknar inte klockans teckenförstärker, vilket leder till att batteriet laddas ur.

# Ligações

## Advertência

- Este aparelho foi concebido para funcionar somente com corrente contínua de 12 V com negativo à massa.
- Tenha cuidado para que os fios não fiquem entalados entre os parafusos e a carroçaria do automóvel ou a caixa do aparelho nem entre as peças móveis, por exemplo, as calhas dos bancos, etc.
- Ligue o cabo de alimentação de corrente (C) ao aparelho e aos altifalantes antes de ligar ao conector de corrente auxiliar.
- Ligue todos os fios de terra a um ponto de massa comum.
- Ligue o cabo amarelo a um circuito eléctrico livre do automóvel, cuja tensão seja superior à dos fusíveis do aparelho. Se ligar este aparelho em série com outros componentes estéreo, a tensão do circuito eléctrico do automóvel onde os ligar tem de ser superior à soma das tensões dos fusíveis de todos os componentes individuais. Se não houver nenhum circuito eléctrico do automóvel com uma tensão tão elevada como a dos fusíveis do aparelho, ligue-o directamente à bateria. Se não estiver disponível nenhum circuito eléctrico do automóvel para ligação deste aparelho, ligue-o a um circuito eléctrico do automóvel com uma potência nominal superior à dos fusíveis do aparelho, de tal modo que, se o aparelho reberar os fusíveis respectivos, nenhum outro circuito seja cortado.

## Notas sobre o exemplo de ligação

### Notas sobre os fios de controlo e o cabo de alimentação

- O fio de controlo da antena eléctrica (azul) fornece +12 V CC quando ligar o sintonizador ou quando activar a função AF (Frequência alternativa), TA (Informações sobre o trânsito).
- Com este aparelho, não pode utilizar uma antena eléctrica sem relé.
- Se o automóvel tiver uma antena FM/MW/LW integrada no vidro traseiro/lateral, é necessário ligar o fio de controlo da antena eléctrica (azul) ou o cabo de alimentação para acessórios (vermelho) ao terminal eléctrico do amplificador de sinal de antena existente. Para mais informações, consulte o seu agente.

### Atenção

Se a antena eléctrica não tiver uma caixa de relé, o facto de ligar este aparelho com o cabo de alimentação (C) fornecido, pode provocar danos na antena.

### Ligação para alimentação contínua da memória

Quando o fio amarelo de entrada de alimentação for ligado, os circuitos de memória ficarão com alimentação contínua, mesmo se a chave de ignição estiver desligada.

### Notas sobre a ligação dos altifalantes

- Antes de ligar os altifalantes, desligue o aparelho.
- Utilize altifalantes com impedância de 4 a 8 ohm e com capacidade admissível de potência adequada. Caso contrário, os altifalantes poderão sofrer avarias.
- Não ligue os terminais do sistema de altifalantes ao chassis do automóvel e não ligue os terminais do altifalante direito aos terminais do altifalante esquerdo.
- Não tente ligar os altifalantes em paralelo.
- Não ligue nenhum sistema de altifalantes activos (com amplificadores incorporados) aos terminais dos altifalantes do aparelho. Se o fizer, pode avariar o sistema de altifalantes activos. Portanto, não se esqueça de ligar os altifalantes passivos a estes terminais.

**Aviso sobre a instalação num automóvel sem posição ACC (acessórios) na chave de ignição**  
Carregue em (OFF) no aparelho durante dois segundos para desligar o relógio, depois de desligar o motor. Se carregar em (OFF) menos de dois segundos, o visor do relógio não se apaga o que provoca o desgaste da bateria.

# Подсоединение

## Предостережение

- Данный автоматизированный предназначен для подключения только к 12-вольтовому аккумулятору постоянного тока с заземлением минус на массу.
- Следите за тем, чтобы не защемить, какие-либо провода между винтом и корпусом автомобиля или магнитолы либо между подвижными частями в салоне автомобиля, например, передним сиденьем и металлическими направляющими рейками под ним.
- Подсоедините шнур питания (C) сначала к магнитолы и громкоговорителям, а уже потом - к контактам внешнего источника питания.
- Подведите все проводки заземления к одной и той же точке заземления.
- Подсоедините желтый провод к свободной электроцепи автомобиля с большой силой тока чем та, на которую рассчитан предохранитель магнитолы. Если Вы подсоедините эту магнитолу в сочетании с другими компонентами стереосистемы, сила тока в электроцепи автомобиля, к которой они подключаются, должна быть больше суммы значений силы тока, на которую рассчитаны предохранители отдельных компонентов. В случае отсутствия в автомобиле контура со столь же высокой силой тока, как та, на которую рассчитан предохранитель магнитолы, подсоедините магнитолу напрямую к аккумулятору. В случае если в автомобиле нет свободных электроцепей для подсоединения магнитолы, подсоедините ее к автоэлектроцепи с силой тока выше того значения, на которое рассчитан предохранитель магнитолы, таким образом, чтобы если он перегорит, другие цепи не прервались.

## Примечания к примеру подсоединения

### Примечания к проводам управления и электропитания

- По (синему) проводу питания внешним с электрическим приподом осуществляется подача постоянного тока напряжением +12 вольт при включении Вами радиоприемника или зарядное устройство (функция, дополнительная информация). TA (дорожные сообщения).
- Электропроводная антенна, на снабженную релевым блоком, с данной магнитолой использоваться не может.
- В случае если Ваш автомобиль оснащен УКВ/СВ/ДВ антенной, встроенной в заднее/боксовое стекло, необходимо подсоединить провод управления электропроводной антенны (синий) или дополнительная провод подсоединения электропитания (красный) к гнезду питания на автомобильном корпусе усилителя.

### Предостережение

Если Вы используете электропроводную антенну без релевного блока, подсоединение данной магнитолы к источнику питания может повредить антенну.

Подсоединение для поддержки памяти Когда к магнитолы подсоединены желтый электрический провод, блок памяти будет постоянно получать питание, даже при выключенном зажигании.

### О подсоединении громкоговорителей

- Прежде чем подсоединить громкоговорители, выключите магнитолу.
- Используйте громкоговорители с полным сопротивлением 4 В Ом, обладающие способностью принимать достаточную мощность сигнала. В противном случае они могут быть повреждены.
- Не подсоединяйте контакты гнезда громкоговорителей к шасси автомобиля и не соединяйте гнезда правого громкоговорителя с гнездами левого.
- Не пытайтесь подсоединить громкоговорители параллельно.
- Не подсоединяйте к гнезду для громкоговорителя на магнитолы какие бы то ни было активные громкоговорители (со встроенными усилителями), поскольку это может привести к повреждению последним.
- Убедитесь в том, что подсоединяемые громкоговорители относятся к пассивному типу.

**Предостережение относительно автарауры, установленной в автомобиле, замок зажигания в котором не имеет отдельного положения (ACC) для отключения подсоединенной аппаратуры.**  
После выключения двигателя не забывайте нажатие на две секунды кнопку (OFF) на аппарате, с тем чтобы отключить циферблат часов. При слишком кратком нажатии (OFF) циферблат не отключается, что ведет к разрядке аккумуляторной батареи.

Connection diagram

Diagrama de conexiones

Kopplingschema

Diagrama de ligações

Схема подсоединения

Equipment used in illustrations (not supplied)

Equipo utilizado en las ilustraciones (no suministrado)

Utrustning som visas i illustrationer (medföljer inte)

Equipamento utilizado nas ilustrações (não fornecido)

Аппаратура, фигурирующая в иллюстрациях (не прилагаются)

Front speaker  
Altavoz delantero  
Främre högtalare  
Altifalante dianteiro  
Передний громкоговоритель

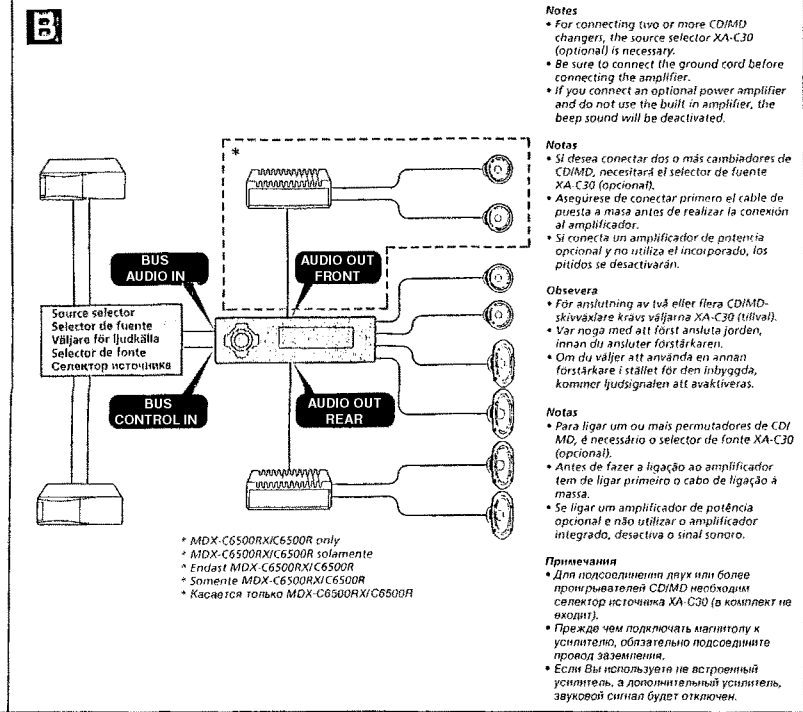
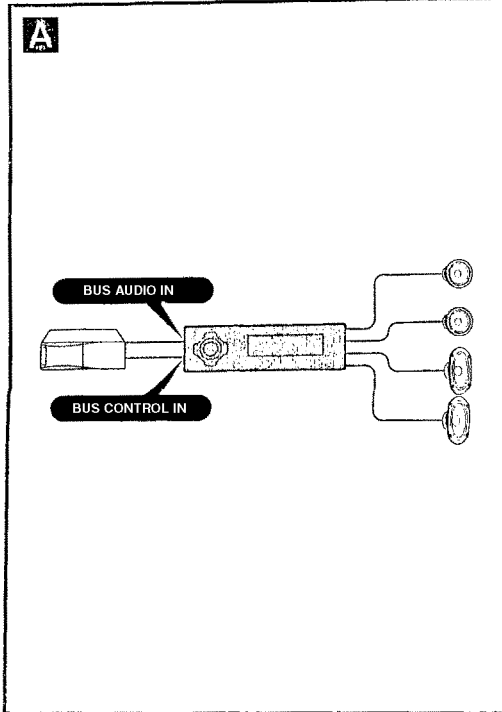
Rear speaker  
Altavoz trasero  
Bakre högtalare  
Altifalante traseiro  
Задний громкоговоритель



Power amplifier  
Amplificador de potencia  
Effektförstärkare  
Amplificador de potência  
Усилитель



CD/MD changer  
Cambiador de CD/MD  
CD/MD-skivväxlare  
Permutador de CD/MD  
Проигрыватель CD/MD



Notes

- For connecting two or more CD/MD changers, the source selector XA-C30 (optional) is necessary.
- Be sure to connect the ground cord before connecting the amplifier.
- If you connect an optional power amplifier and do not use the built in amplifier, the beep sound will be deactivated.

Notas

- Si desea conectar dos o más cambiadores de CD/MD, necesitará el selector de fuente XA-C30 (opcional).
- Asegúrese de conectar primero el cable de puesta a masa antes de realizar la conexión al amplificador.
- Si conecta un amplificador de potencia opcional y no utiliza el incorporado, los pitidos se desactivarán.

Observera

- För anslutning av två eller flera CD/MD-skivväxlare krävs väjlaren XA-C30 (tillval).
- Var noga med att först ansluta jorden, innan du ansluter förstärkaren.
- Om du väljer att använda en annan förstärkare i stället för den inbyggda, kommer ljudsignalen att avaktiveras.

Notas

- Para ligar um ou mais permutadores de CD/MD, é necessário o selector de fonte XA-C30 (opcional).
- Antes de fazer a ligação ao amplificador tem de ligar primeiro o cabo de ligação à massa.
- Se ligar um amplificador de potência opcional e não utilizar o amplificador integrado, desactiva o sinal sonoro.

Примечания

- Для подсоединения двух или более проигрывателей CD/MD необходим селектор источника XA-C30 (в комплект не входит).
- Прежде чем подключать магнитолу к усилителю, обязательно подсоедините провод заземления.
- Если Вы используете не встроенный усилитель, а дополнительный усилитель, звуковой сигнал будет отключен.

\* MDX-C6500RXIC6500R only  
\* MDX-C6500RXIC6500R solamente  
\* Endast MDX-C6500RXIC6500R  
\* Somente MDX-C6500RXIC6500R  
\* Касается только MDX-C6500RXIC6500R

### Connection example

**Note for the aerial connecting**  
If your car aerial is an ISO (International Organisation for Standardisation) type, use the supplied adaptor ⑥ to connect it.  
First connect the car aerial to the supplied adaptor, then connect it to the aerial jack of the master unit.

**RCA pin cord (not supplied)**  
**MDX-C6500RX/C6500RV/C6500R only**

### Ejemplo de conexiones

**Nota sobre la conexión de la antena**  
Si la antena del automóvil es del tipo ISO (International Organisation for Standardisation), emplee el adaptador suministrado ⑥ para conectarla.  
En primer lugar, conecte la antena del automóvil al adaptador suministrado y, a continuación, a la toma de antena de la unidad principal.

**Cable con clavijas RCA (no suministrado)**  
**MDX-C6500RX/C6500RV/C6500R solamente**

### Anslutningarna enligt exemplet

**Angående antennanslutning**  
Om motorantennen är av ISO typ (International Organisation for Standardisation), använd den medföljande adapter ⑥ för att ansluta den.  
Anslut först motorantennen till medföljande adapter och därefter till antenntaget på huvudenheten.

**Kabel med RCA-kontakter (medföljer inte)**  
**Endast MDX-C6500RX/C6500RV/C6500R**

### Exemplo de ligações

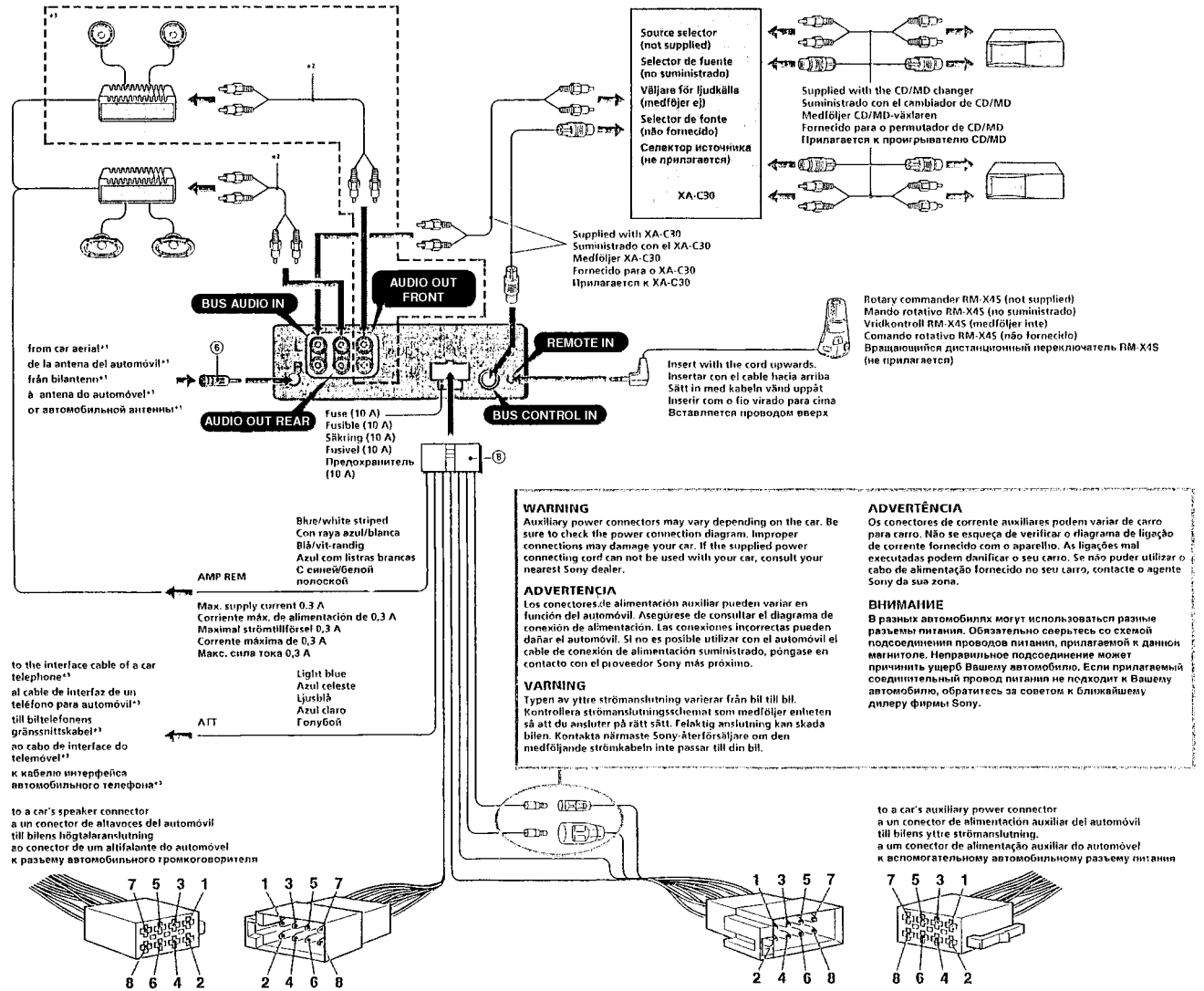
**Nota referente à ligação da antena**  
Se a antena do automóvel for uma antena de tipo ISO (International Organisation for Standardisation), utilize o adaptador fornecido ⑥ para fazer a ligação respectiva.  
Ligue primeiro a antena do automóvel ao adaptador fornecido e depois à ficha tipo jack de antena do sistema principal.

**Cabo de terminais RCA (não fornecido)**  
**Somente MDX-C6500RX/C6500RV/C6500R**

### Пример подсоединения

**Примечание о подсоединении антенны**  
Если антенна в Вашем автомобиле относится к типу, утвержденному ISO (Международной организацией по стандартизации), используйте для ее подсоединения переходник ⑥.  
Сначала подсоедините автомобильную антенну к прилагаемому переходнику, а затем - к винтовому гнезду магнитолы.

**Шнур с контактными штырьками RCA (не прилагается)**  
**Касается только MDX-C6500RX/C6500RV/C6500R**



**WARNING**  
Auxiliary power connectors may vary depending on the car. Be sure to check the power connection diagram. Improper connections may damage your car. If the supplied power connecting cord can not be used with your car, consult your nearest Sony dealer.

**ADVERTENCIA**  
Los conectores de alimentación auxiliar pueden variar en función del automóvil. Asegúrese de consultar el diagrama de conexión de alimentación. Las conexiones incorrectas pueden dañar el automóvil. Si no es posible utilizar con el automóvil el cable de conexión de alimentación suministrado, póngase en contacto con el proveedor Sony más próximo.

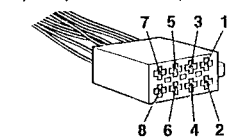
**WARNING**  
Typen av yttre strömanslutning varierar från bil till bil. Kontrollera strömanslutningsschemat som medföljer enheten så att du ansluter på rätt sätt. Felaktig anslutning kan skada bilen. Kontakta närmaste Sony-återförsäljare om den medföljande strömkabeln inte passar till din bil.

**ADVERTENCIA**  
Os conectores de corrente auxiliares podem variar de carro para carro. Não se esqueça de verificar o diagrama de ligação de corrente fornecido com o aparelho. As ligações mal executadas podem danificar o seu carro. Se não puder utilizar o cabo de alimentação fornecido no seu carro, contacte o agente Sony da sua zona.

**ВНИМАНИЕ**  
В разных автомобилях могут использоваться разные типы питания. Обязательно сверьтесь со схемой подсоединения проводов питания, прилагаемой к данной магнитоле. Неправильное подсоединение может причинить ущерб Вашему автомобилю. Если прилагаемый соединительный провод питания не подходит к Вашему автомобилю, обратитесь за советом к ближайшему дилеру фирмы Sony.

to the interface cable of a car telephone\*\*  
al cable de interfaz de un teléfono para automóvil\*\*  
till biltelefonens gränssnittskabel\*\*  
no cabo de interface do telemóvel\*\*  
к кабелю интерфейса автомобильного телефона\*\*

to a car's speaker connector  
a un conector de altavoces del automóvil  
till bilens högtalanslutning  
a conector de um altifalante do automóvel  
к разъему автомобильного громкоговорителя



1	Purple Púrpura Violet Фиолетовый	Speaker, Rear, Right Altavoz, parte posterior, derecho Högtalare, bakre, höger Altifalante, Parte da trás, Direito Громкоговоритель, задний, правый	5	White Branco Белый	Speaker, Front, Left Altavoz, parte frontal, izquierdo Högtalare, främre, vänster Altifalante, Parte da frente, Esquerdo Громкоговоритель, передний, левый
2		Speaker, Rear, Right Altavoz, parte posterior, derecho Högtalare, bakre, höger Altifalante, Parte da trás, Direito Громкоговоритель, задний, правый	6	Green Verde Зеленый	Speaker, Front, Left Altavoz, parte frontal, izquierdo Högtalare, främre, vänster Altifalante, Parte da frente, Esquerdo Громкоговоритель, передний, левый
3	Grey Gris Grá Синтенто Серый	Speaker, Front, Right Altavoz, parte frontal, derecho Högtalare, främre, höger Altifalante, Parte da frente, Direito Громкоговоритель, задний, правый	7		Speaker, Rear, Left Altavoz, parte posterior, izquierdo Högtalare, bakre, vänster Altifalante, Parte da trás, Esquerdo Громкоговоритель, задний, левый
4		Speaker, Front, Right Altavoz, parte frontal, derecho Högtalare, främre, höger Altifalante, Parte da frente, Direito Громкоговоритель, задний, правый	8		Speaker, Rear, Left Altavoz, parte posterior, izquierdo Högtalare, bakre, vänster Altifalante, Parte da trás, Esquerdo Громкоговоритель, задний, левый

4	Yellow Amarelo Gel Amarelo Желтый	continuous power supply suministro de alimentación continua kontinuerlig strömförsörjning alimentação de corrente contínua непрерывное поступление питания	7	Red Vermelho Rouge Красный	switched power supply suministro conmutado de alimentación switchad strömförsörjning alimentação de corrente comutada включаемое питание
5	Blue Azul Blá Azul Синий	power aerial control control de antena motorizada styrning av motorantenn antena eléctrica антенна електрика	8	Black Negro Svart Preto Черный	ground masa jord Terra земля
6	Orange/White Naranja/blanco Orange/wit Cor de laranja/branco Оранжевый/белый	switched illumination power supply fuente de alimentación de iluminación conmutada Switchad strömförsörjning till belysning fonte de alimentação comutada para iluminação подача питания подсветки от зажигания	Positions 1, 2 and 3 do not have pins. Las posiciones 1, 2 y 3 no disponen de pines. Positionerna 1, 2 och 3 saknar stift. As posições 1, 2 e 3 não têm pines. Позиции 1, 2 и 3 не имеют контактных штырьков.		

## Power connection diagram

Auxiliary power connector may vary depending on the car. Check your car's auxiliary power connector diagram to make sure the connections match correctly. There are three basic types (illustrated below). You may need to switch the positions of the red and yellow leads in the car stereo's power connecting cord. After matching the connections and switched power supply leads correctly, connect the unit to the car's power supply. If you have any questions and problems connecting your unit that are not covered in this manual, please consult the car dealer.

## Diagrama de conexión de alimentación

El conector de alimentación auxiliar puede variar en función del automóvil. Compruebe el diagrama del conector de alimentación auxiliar del automóvil para asegurarse de que las conexiones coincidan correctamente. Existen tres tipos básicos (ilustrados a continuación). Es posible que sea necesario cambiar las posiciones de los cables rojo y amarillo del cable de conexión de alimentación del sistema estereo del automóvil. Después de hacer conexión correctamente las conexiones y los cables de alimentación conmutada, conecte la unidad al suministro de alimentación del automóvil. Si desea realizar alguna consulta o solucionar algún problema referentes a la conexión de la unidad que no aparezcan en este manual, consulte con el concesionario automovilístico.

## Strömanslutningsschema

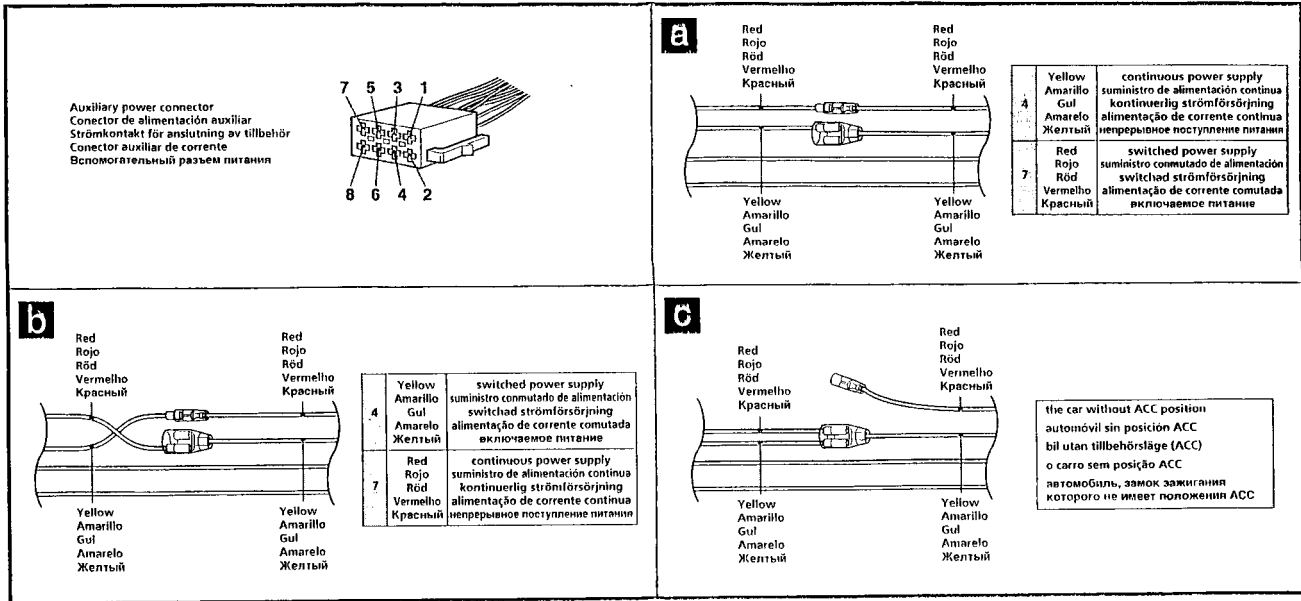
Kontakten för anslutning av tillbehör varierar från bil till bil. Kontrollera hur bilens anslutningskontakt är konstruerad så att du ansluter på rätt sätt. Det finns tre grundläggande typer (visas nedan). Du kan eventuellt behöva växla plats mellan de röda och gula ledningarna i bilstereos strömkabel. Passa ihop ledningarna korrekt och anslut sedan enheten till bilens strömanslutning. Om du får problem eller har frågor som inte besvaras i den här bruksanvisningen kan du kontakta bilärförsäljaren.

## Diagrama de ligação de corrente

O conector auxiliar de corrente pode variar de carro para carro. Verifique o diagrama do conector auxiliar de corrente para se certificar de que as ligações estão bem feitas. Existem três tipos de conectores (ilustrados abaixo). É possível que tenha de trocar as posições dos fios vermelho e amarelo do cabo de alimentação do autorádio. Depois de fazer a correspondência correcta entre as ligações e os cabos de alimentação conmutada, ligue o aparelho à fonte de alimentação do carro. Se tiver alguma dúvida ou problema relacionado com o aparelho que não esteja incluído neste manual, consulte o concessionário.

## Схема подключения питания

В разных автомобилях могут использоваться разные разъемы вспомогательного питания. Для того чтобы убедиться в правильности подсоединения, обязательно сверьтесь со схемой разъема подключения вспомогательного питания Вашего автомобиля. Есть три основных типа (как показано на рисунке ниже). Возможно, при подключении Вам придется поменять местами красный и желтый провода соединительного кабеля питания стереосистемы. После проверки соответствия разводов разъемов автомобильного электропитания и проводов питания магнитолы подключите магнитолу к автомобильному контуру электропитания. Если у Вас возникли какие-либо вопросы или проблемы, связанные с подключением магнитолы, которые не рассматриваются в настоящем руководстве, обратитесь за советом к дилеру автомобильной фирмы.

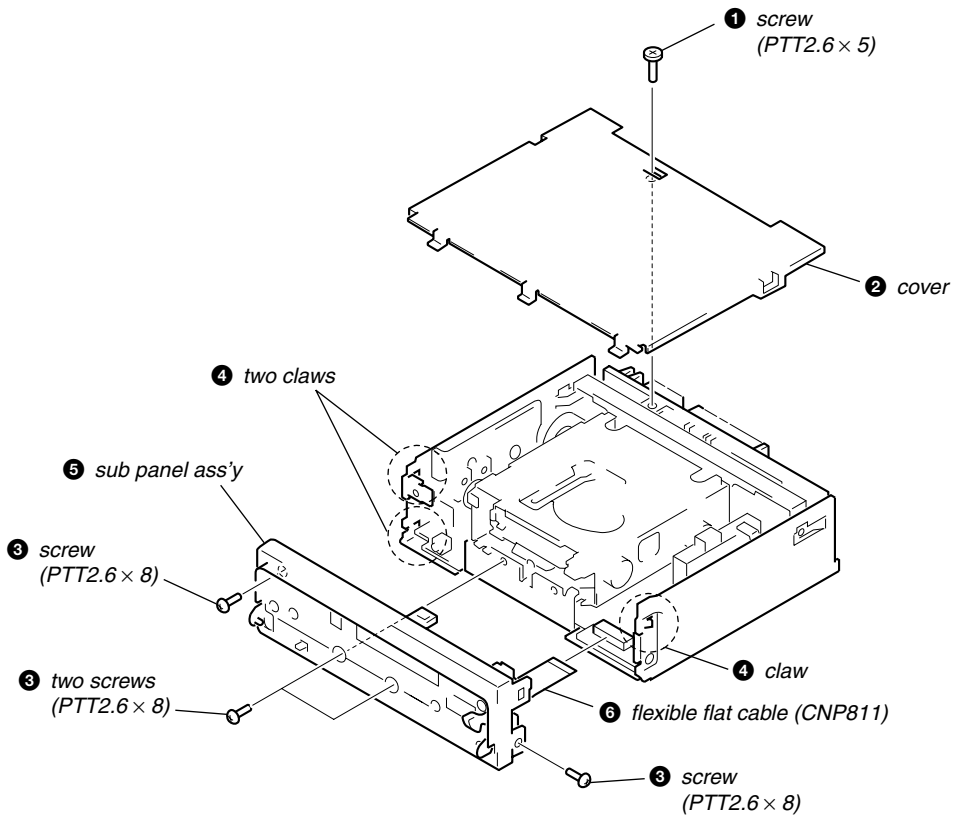




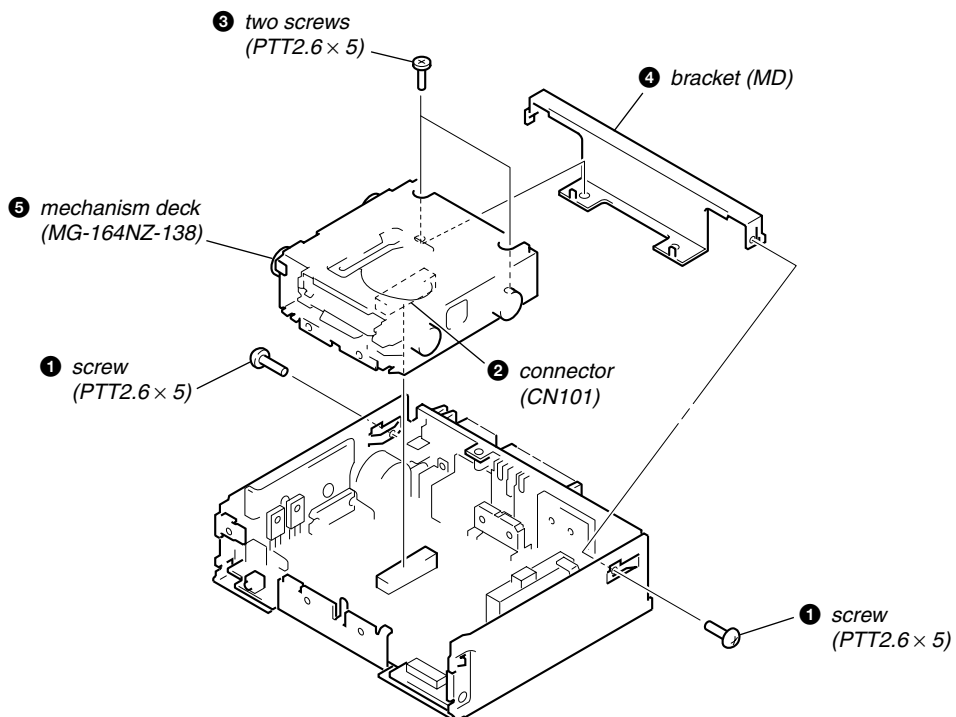
## SECTION 2 DISASSEMBLY

**Note:** Follow the disassembly procedure in the numerical order given.

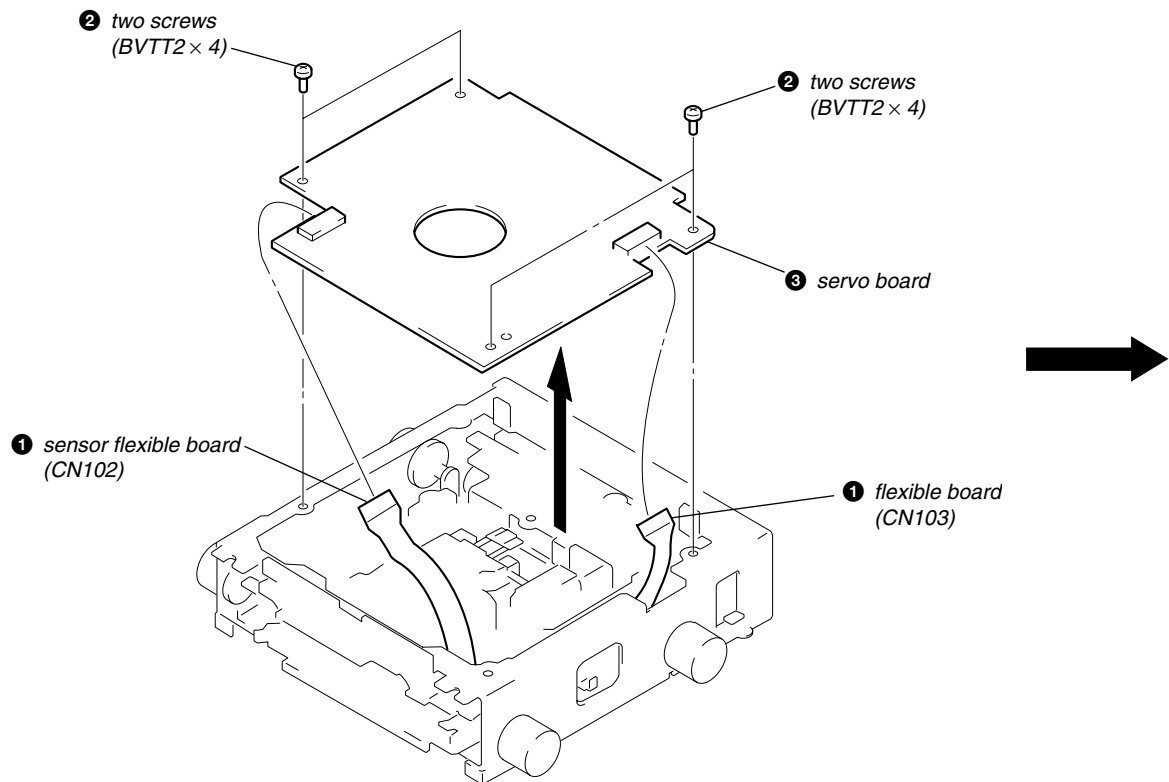
### SUB PANEL ASS'Y



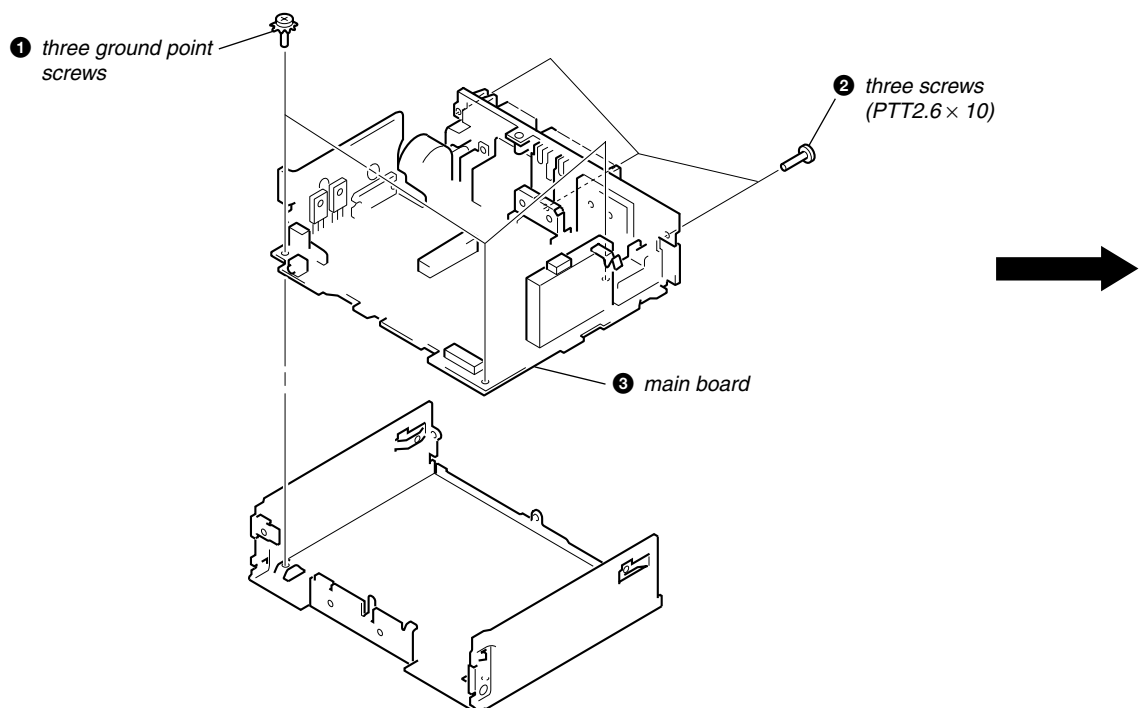
### MECHANISM DECK (MG-164NZ-138)



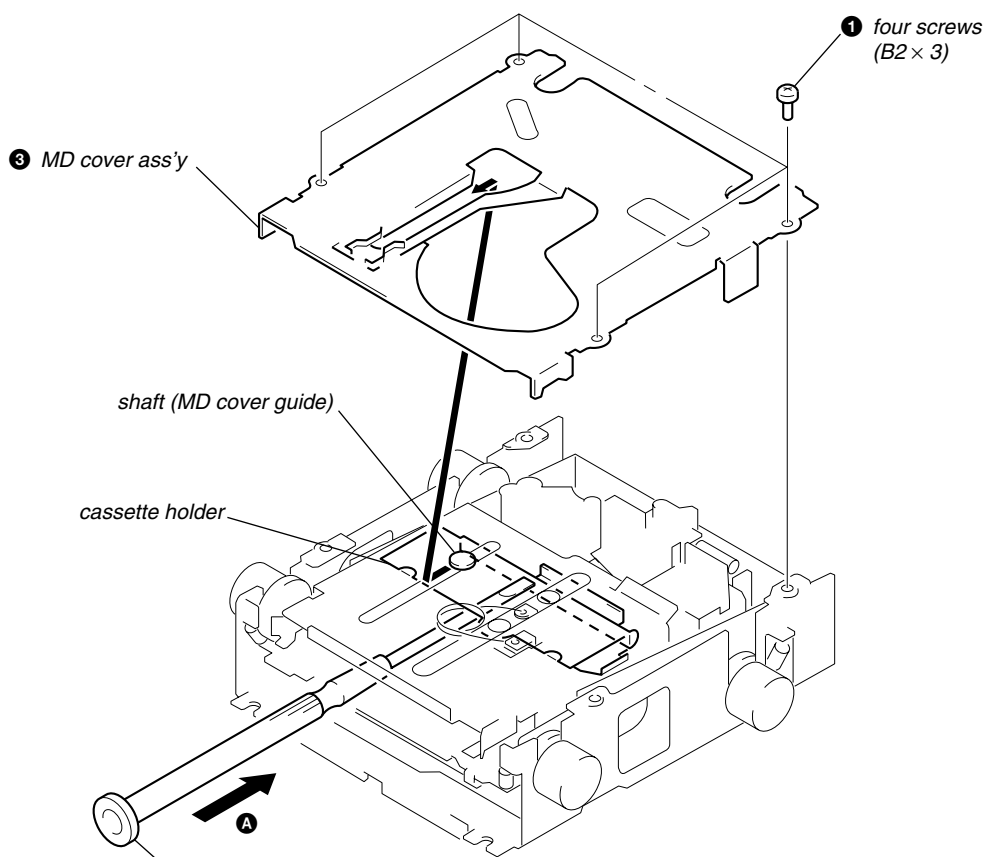
## SERVO BOARD



## MAIN BOARD

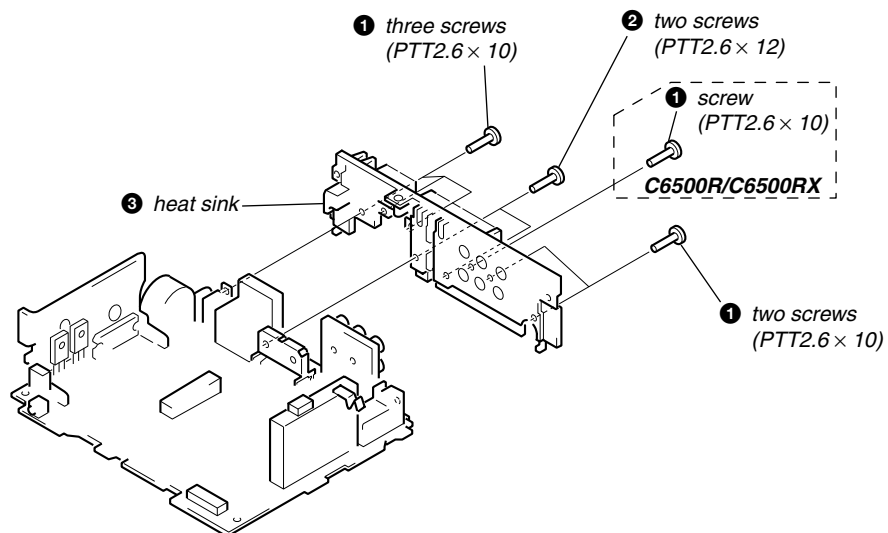


## MD COVER ASS'Y

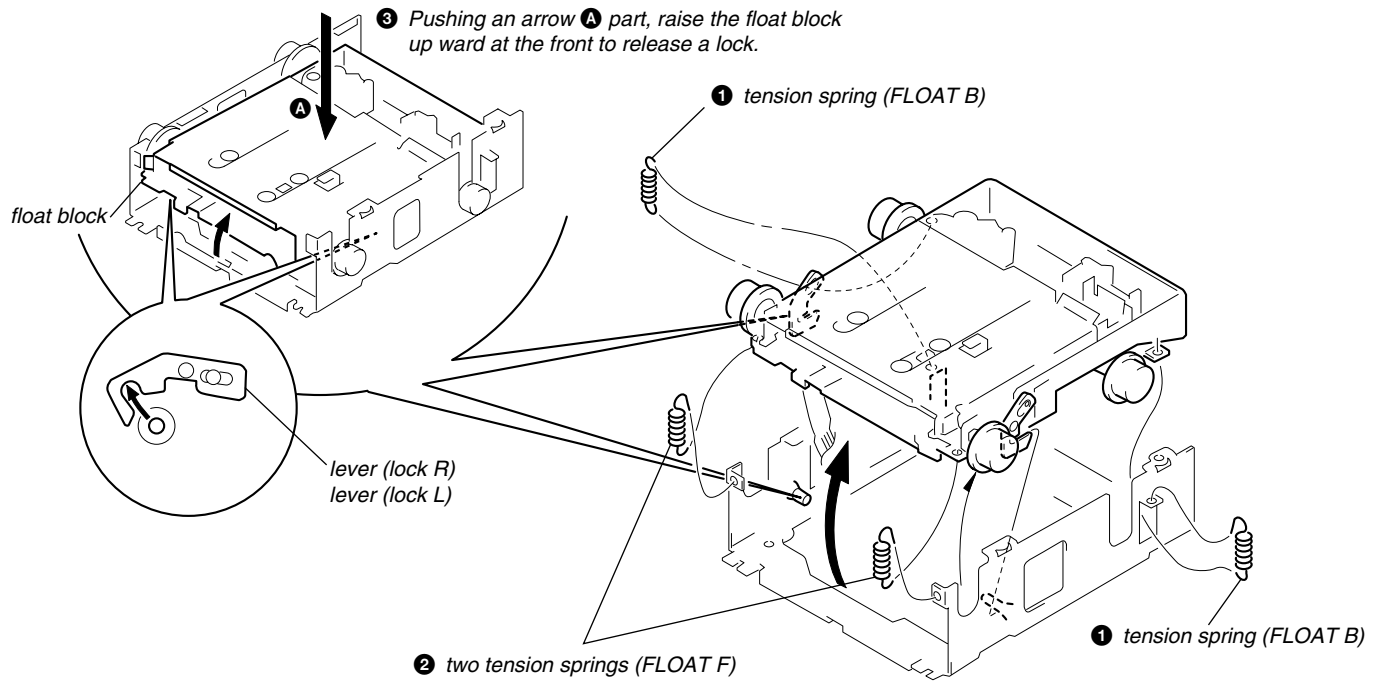


- ② Pushing the Cassette Holder in the direction of the arrow **A** with a screwdriver, etc., disengage the Shaft (MD Cover Guide) from the slot in the MD Cover Assy.
- Note: Take care not to scratch the optical Pick-up when pushing the Cassette Holder with a screwdriver, etc.

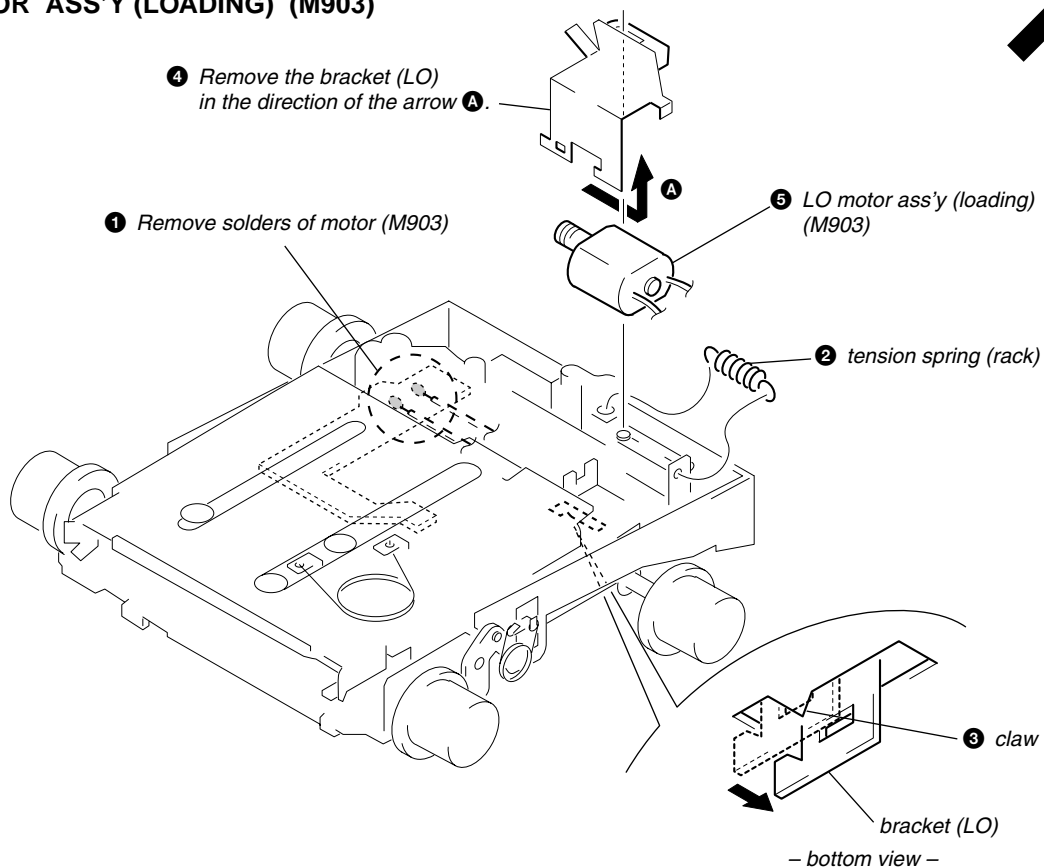
## HEAT SINK



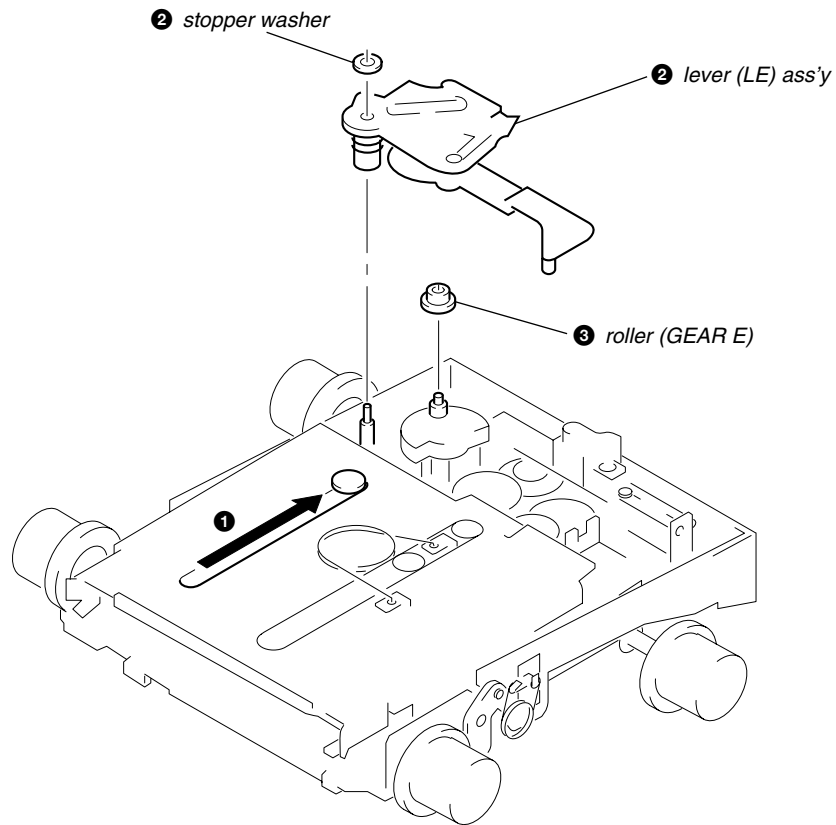
## FLOAT BLOCK



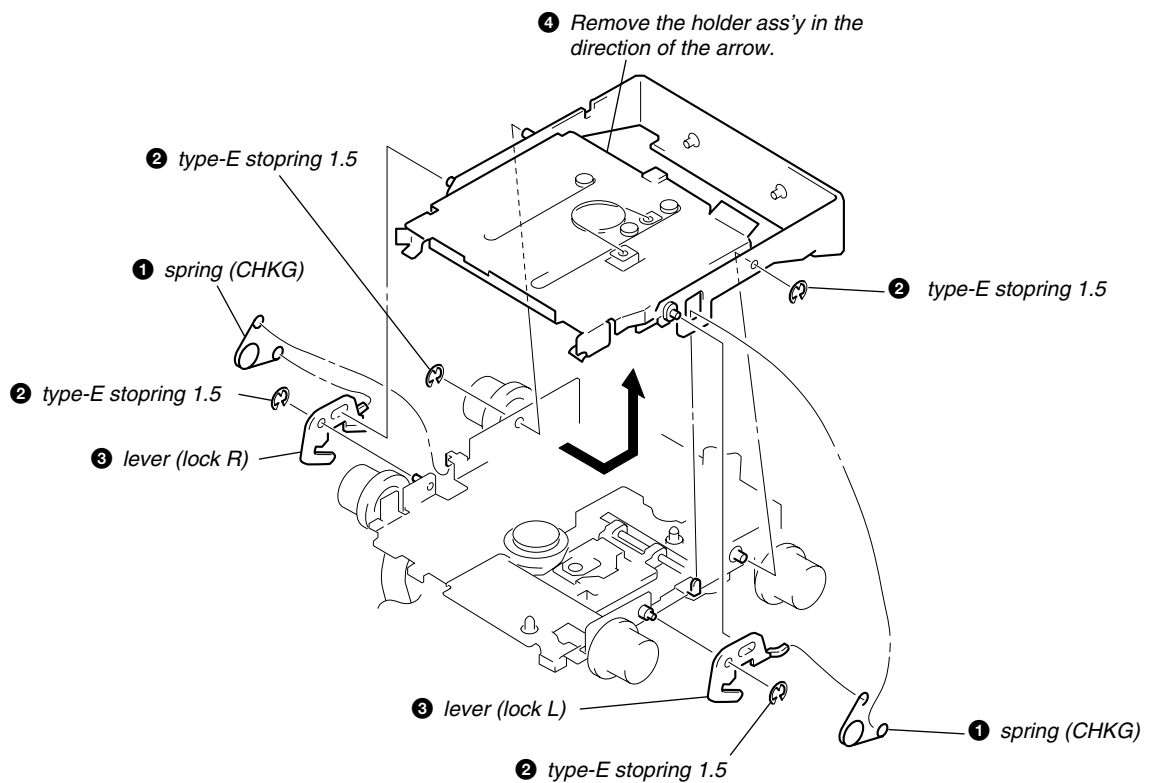
## LO MOTOR ASS'Y (LOADING) (M903)



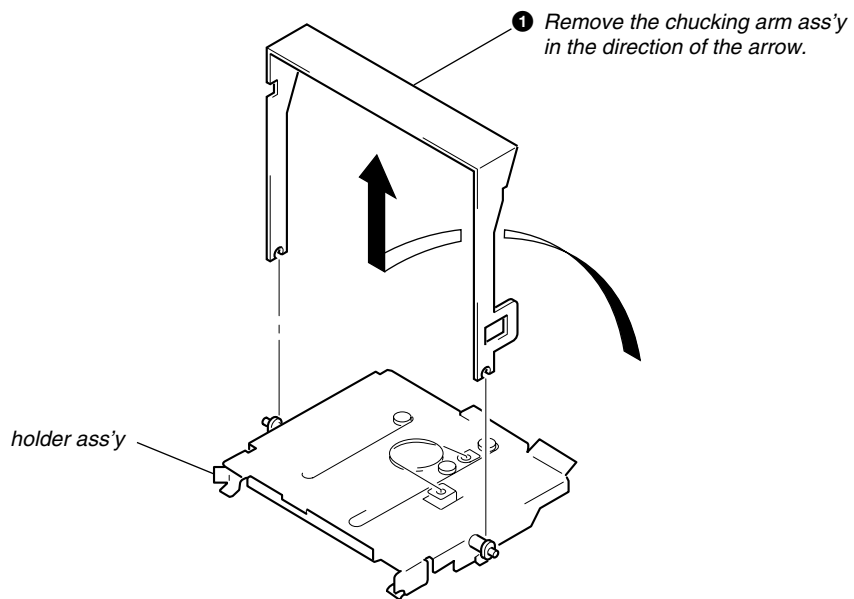
## LEVER (LE) ASS'Y



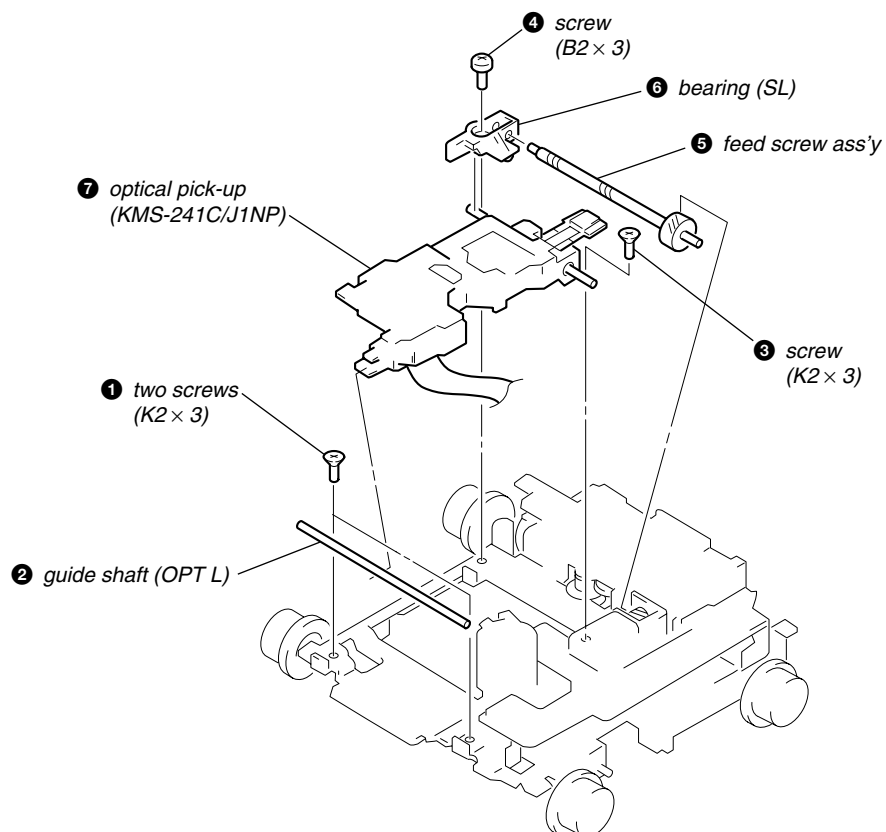
## HOLDER ASS'Y



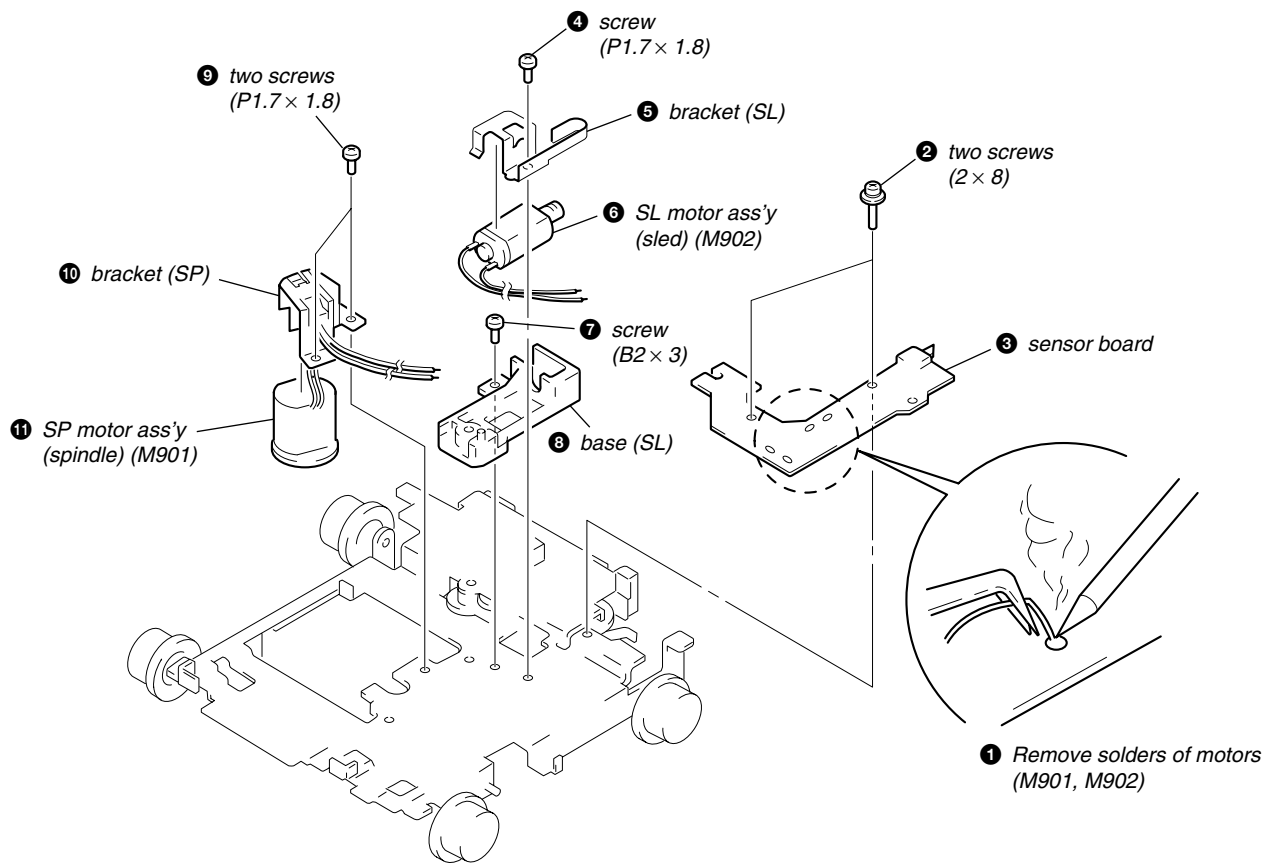
## CHUCKING ARM ASS'Y



## OPTICAL PICK-UP (KMS-241C/J1NP)



# SL MOTOR ASS'Y (SLED) (M902), SP MOTOR ASS'Y (SPINDLE) (M901)



## SECTION 3 ELECTRICAL ADJUSTMENTS

### TEST MODE

This set have the test mode function.

<Set the Test Mode>

1. Turn ON the regulated power supply. (The clock is displayed)

**Note:** Press the  button, if the clock is not displayed.

2. Push the preset  button.
3. Push the preset  button.
4. Press the preset  button for more than two seconds.
5. Then the display indicates all lights, the test mode is set.

<Release the Test mode>

1. Push the  button.

### MD SECTION

MD section adjustments are done automatically in this set.

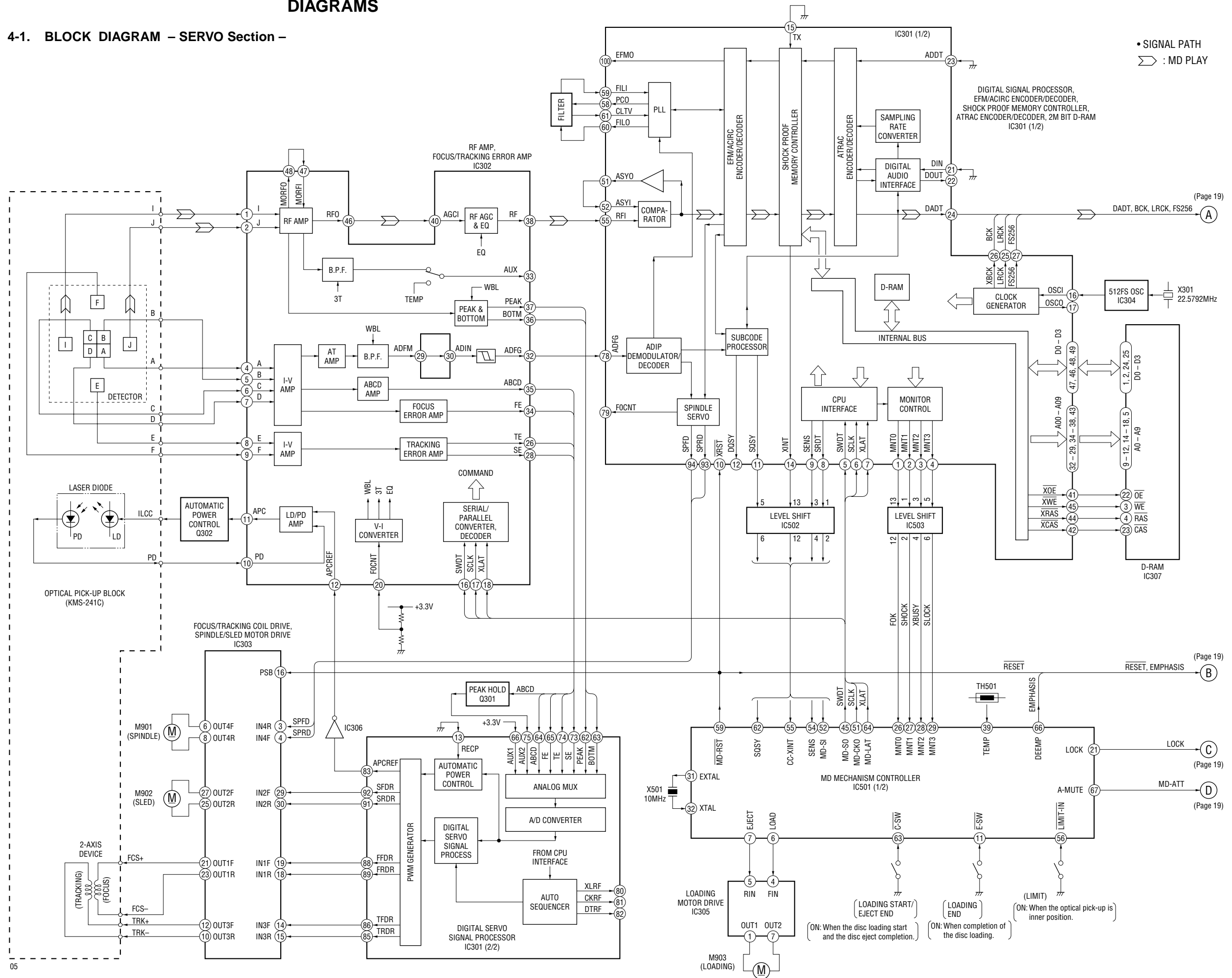
### TUNER SECTION

Tuner section adjustments are done automatically in this set.

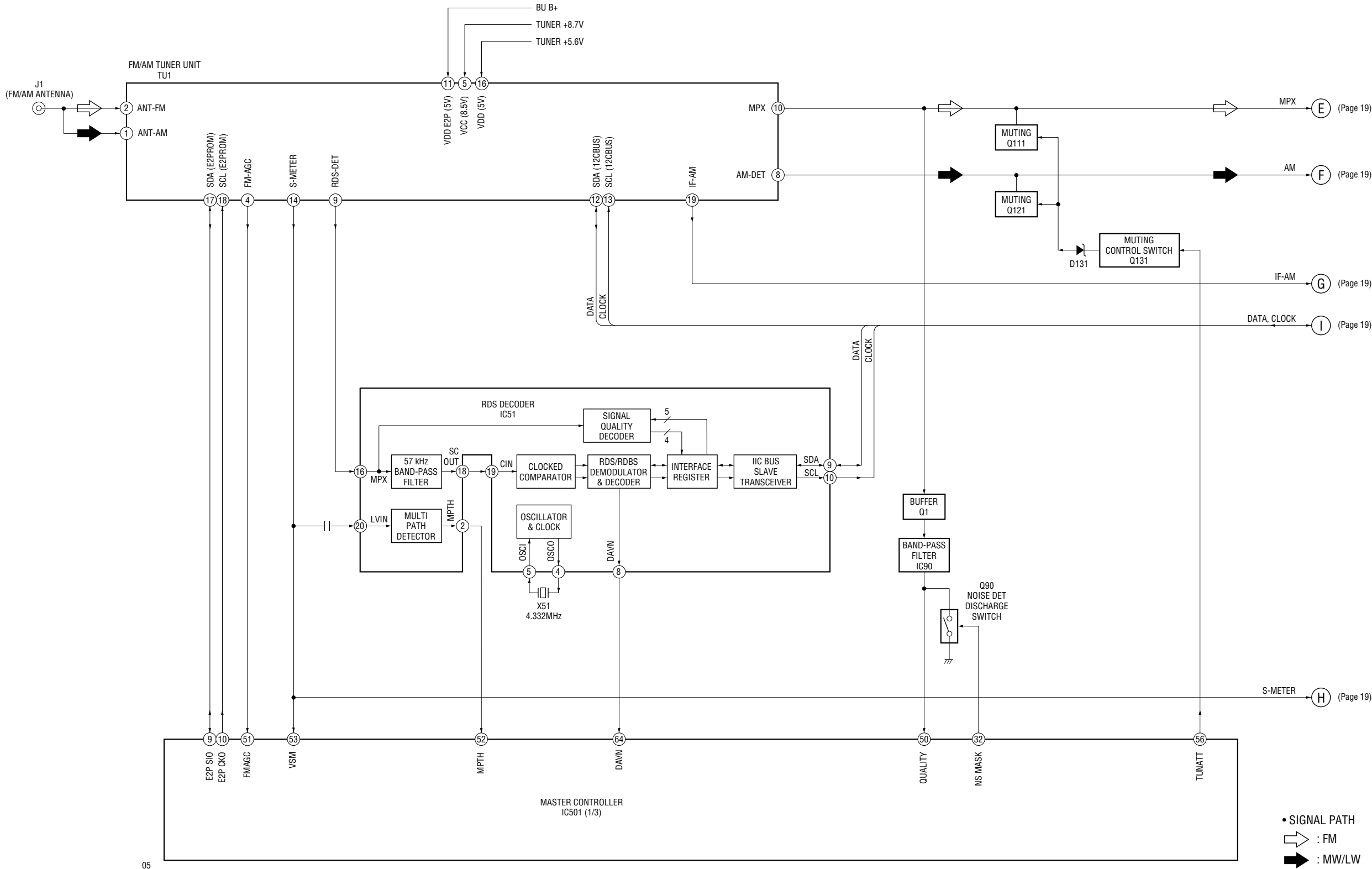


SECTION 4  
DIAGRAMS

4-1. BLOCK DIAGRAM – SERVO Section –

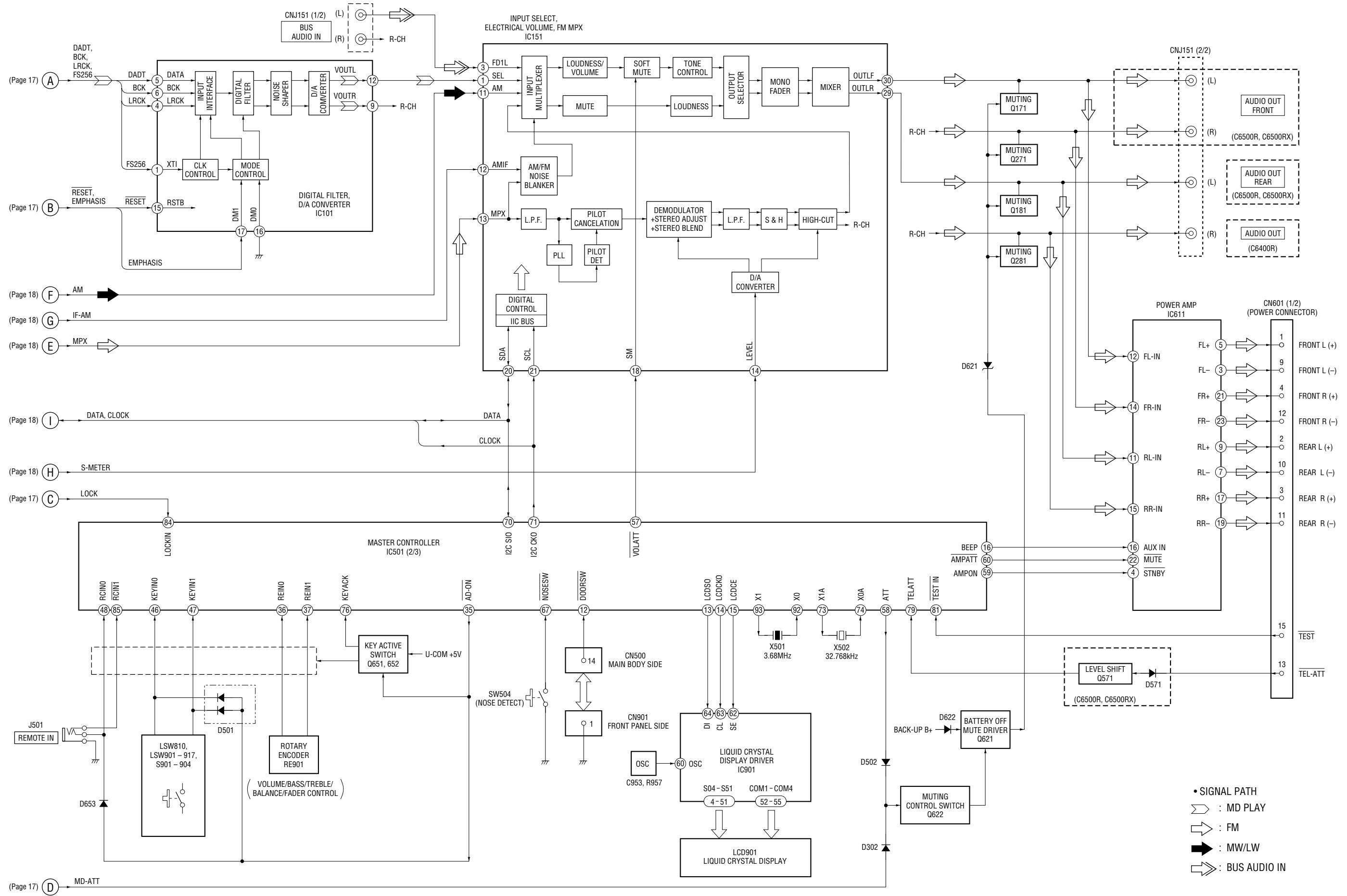


4-2. BLOCK DIAGRAM –TUNER Section –

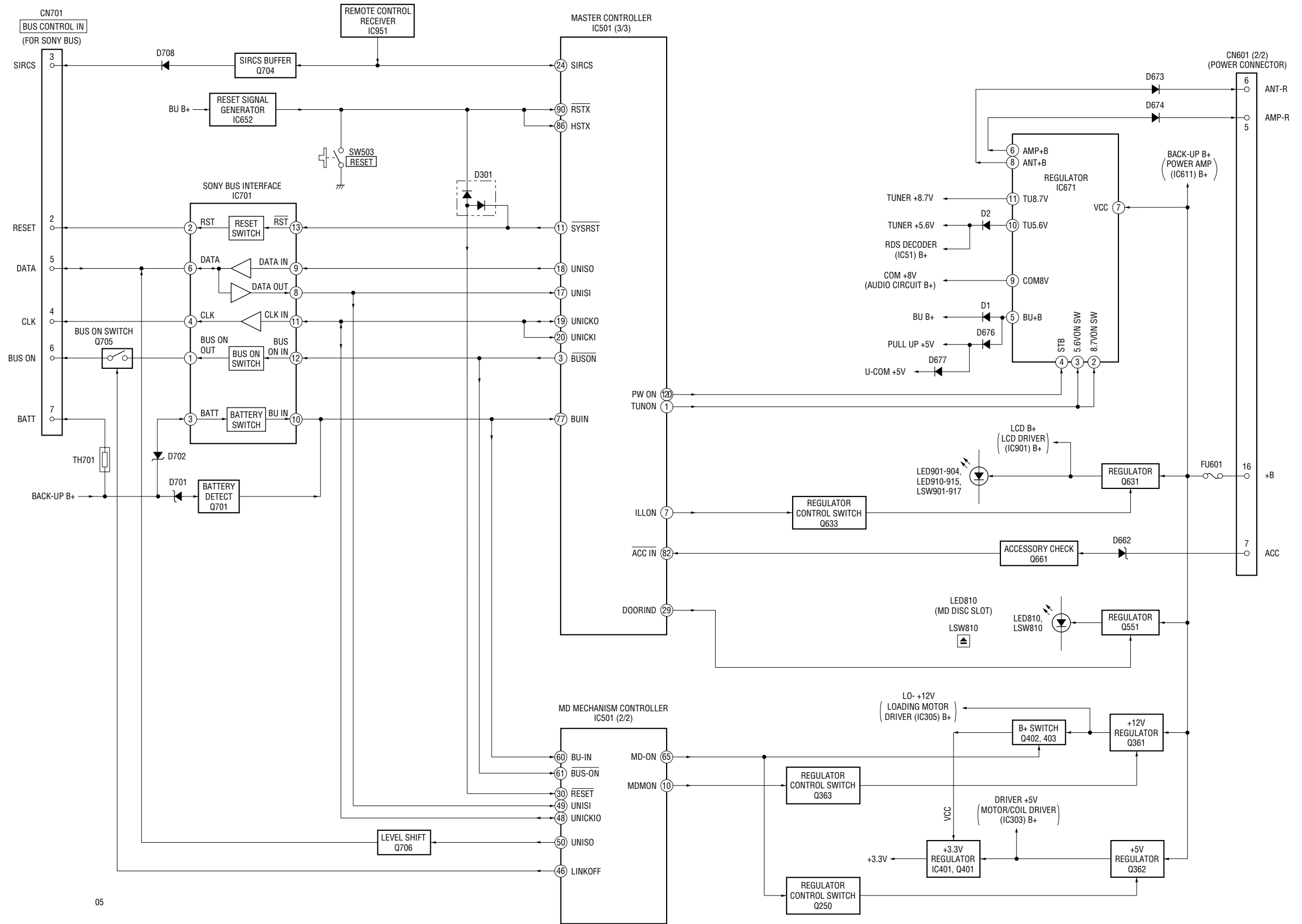


05

4-3. BLOCK DIAGRAM – MAIN Section –

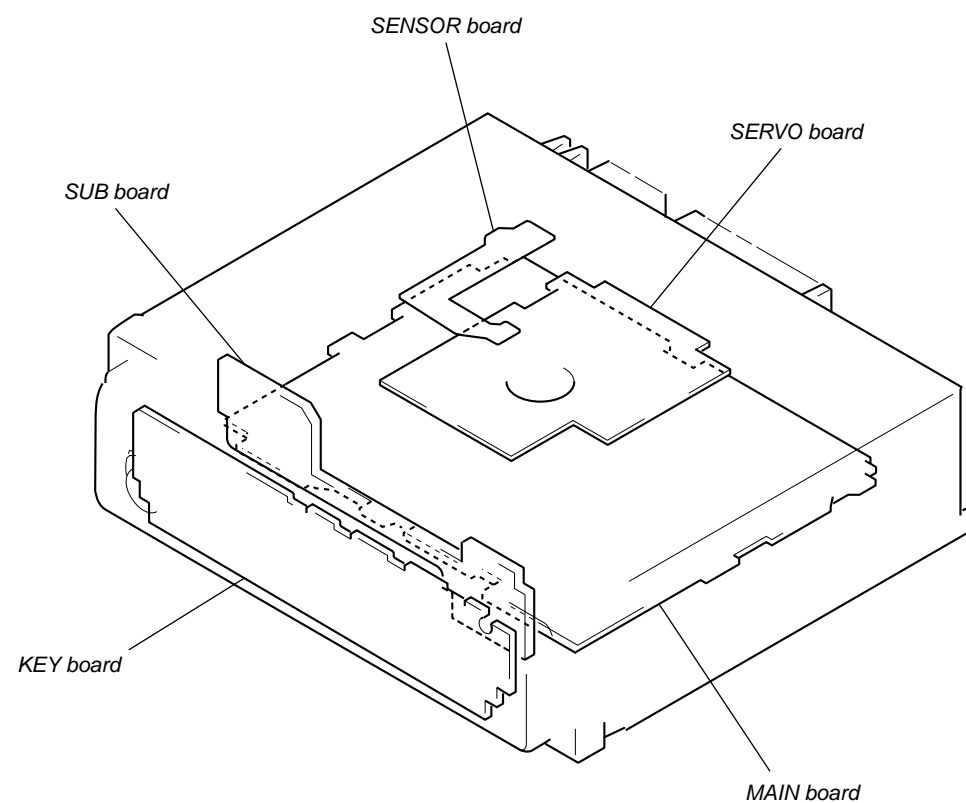


4-4. BLOCK DIAGRAM – BUS CONTROL/POWER SUPPLY Section –



05

• Circuit Boards Location



4-5. NOTE FOR PRINTED WIRING BOARDS AND SCHEMATIC DIAGRAMS

**Note on Printed Wiring Board:**

- : parts extracted from the component side.
- : parts extracted from the conductor side.
- : Through hole.
- : internal component.
- : Pattern from the side which enables seeing.  
(The other layers' patterns are not indicated.)

**Caution:**

Pattern face side: Parts on the pattern face side seen from (Conductor Side) the pattern face are indicated.  
Parts face side: Parts on the parts face side seen from (Component Side) the parts face are indicated.

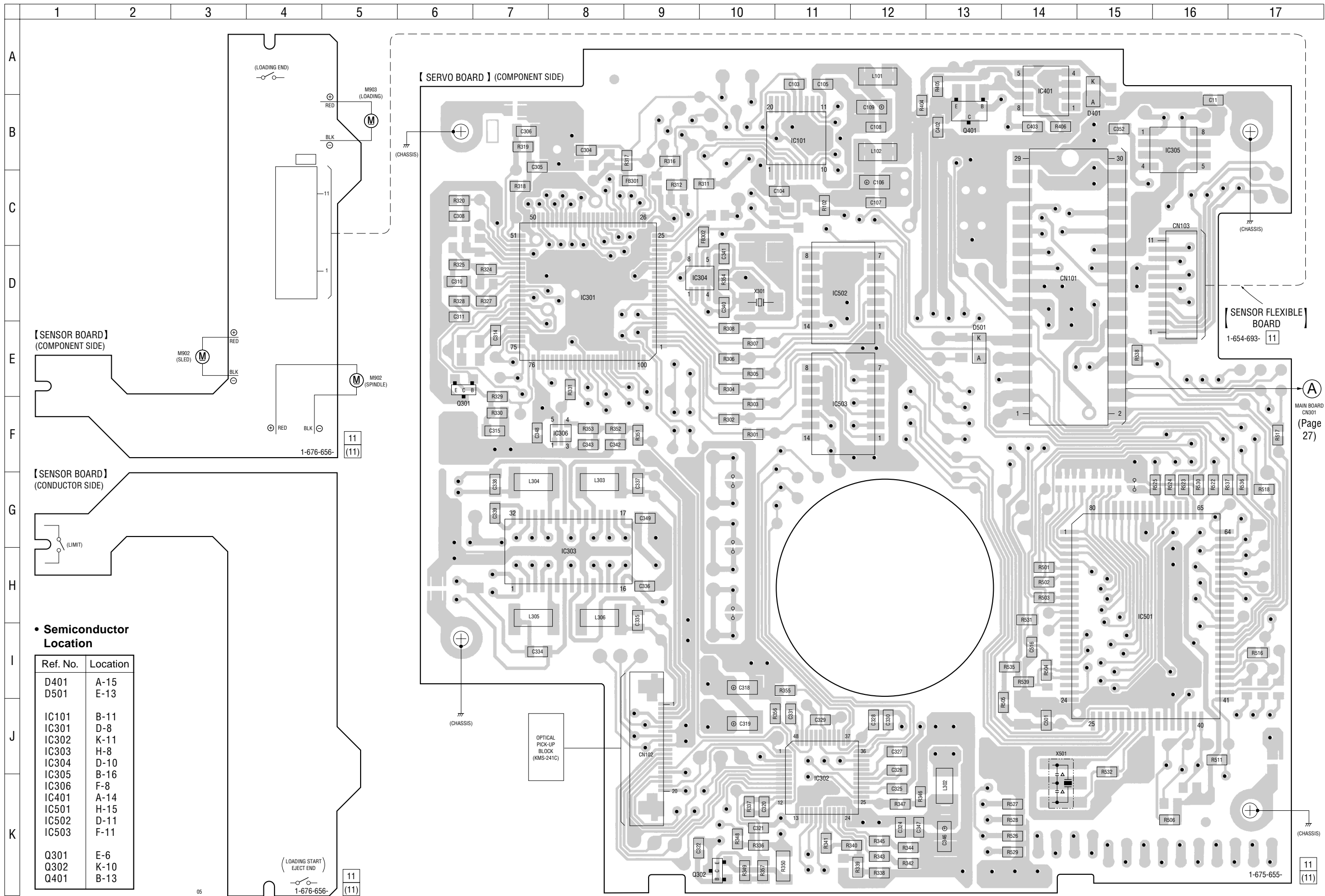
**Note on Schematic Diagram:**

- All capacitors are in  $\mu\text{F}$  unless otherwise noted. pF:  $\mu\text{pF}$  50 WV or less are not indicated except for electrolytics and tantalums.
- All resistors are in  $\Omega$  and  $1/4\text{W}$  or less unless otherwise specified.
- : indicates tolerance.
- : internal component.
- : panel designation.

**Note:** The components identified by mark  $\Delta$  or dotted line with mark  $\Delta$  are critical for safety. Replace only with part number specified.

- : B+ Line.
- Power voltage is dc 14.4V and fed with regulated dc power supply from ACC and BATT cords.
- Voltages are taken with a VOM (Input impedance 10 M $\Omega$ ). Voltage variations may be noted due to normal production tolerances.
- Waveforms are taken with a oscilloscope. Voltage variations may be noted due to normal production tolerances.
- Circled numbers refer to waveforms.
- Signal path.
  - : MD PLAY
  - : FM
  - : MW/LW
  - : BUS AUDIO IN

4-6. PRINTED WIRING BOARDS – SERVO Board (Component Side)/SENSOR Board – • See page 21 for Circuit Boards Location.



【 SERVO BOARD 】 (COMPONENT SIDE)

【 SENSOR FLEXIBLE BOARD  
1-654-693- 11

【 SENSOR BOARD 】  
(COMPONENT SIDE)

【 SENSOR BOARD 】  
(CONDUCTOR SIDE)

• Semiconductor Location

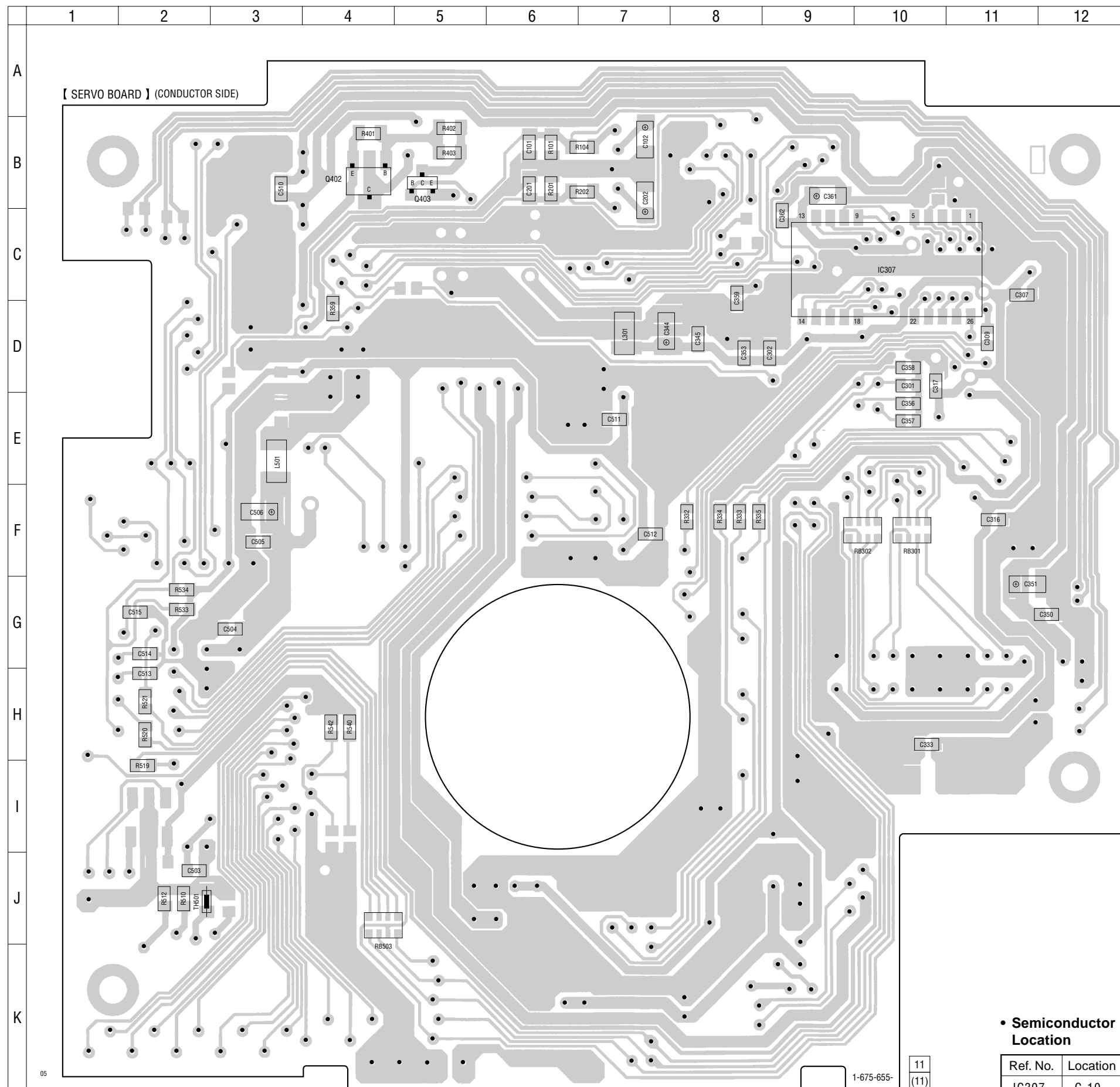
Ref. No.	Location
D401	A-15
D501	E-13
IC101	B-11
IC301	D-8
IC302	K-11
IC303	H-8
IC304	D-10
IC305	B-16
IC306	F-8
IC401	A-14
IC501	H-15
IC502	D-11
IC503	F-11
Q301	E-6
Q302	K-10
Q401	B-13

MAIN BOARD  
CN301  
(Page 27)

11  
(11)

05

4-7. PRINTED WIRING BOARD – SERVO Board (Conductor Side) – • See page 21 for Circuit Boards Location.



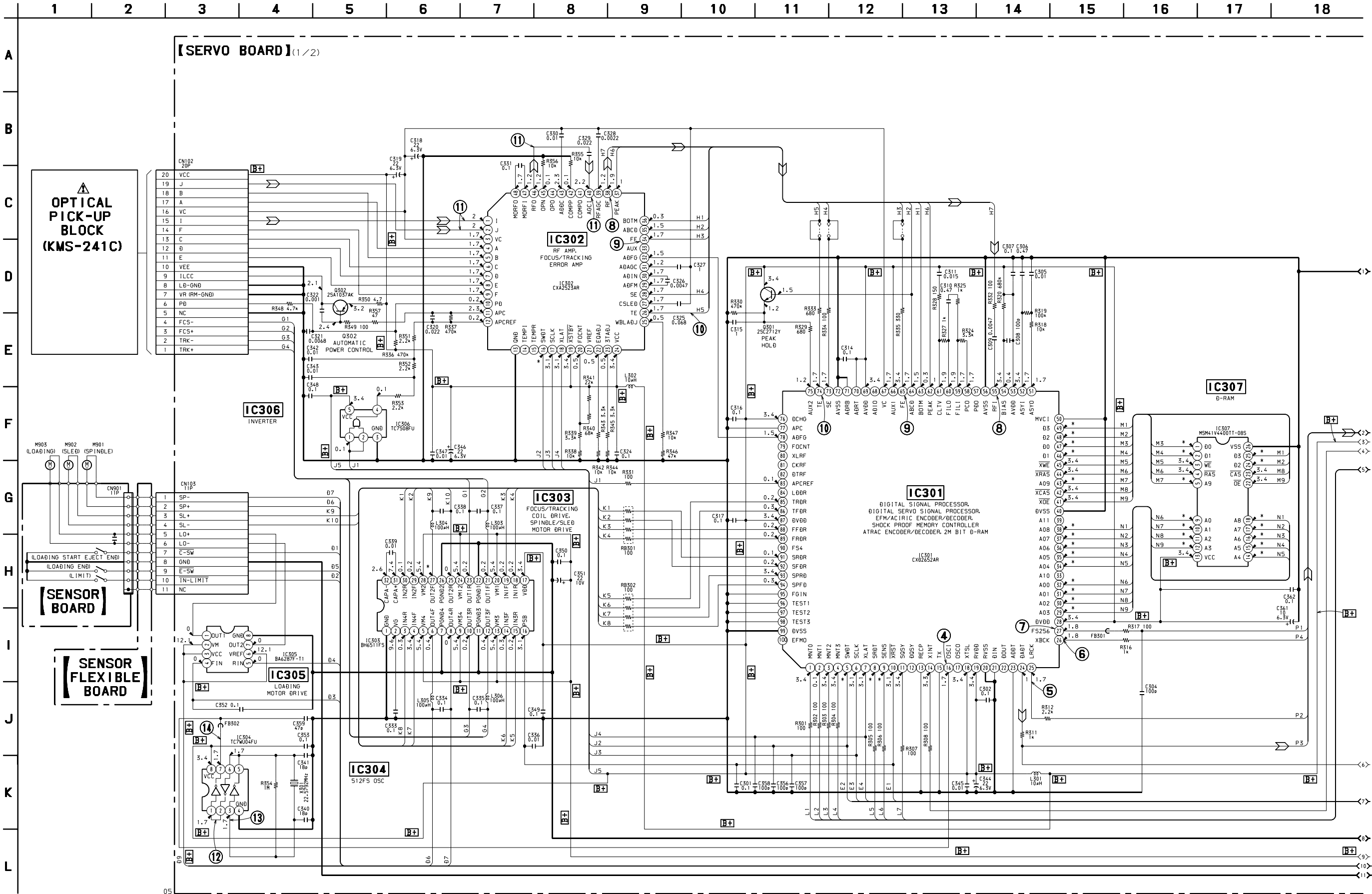
• Semiconductor Location

Ref. No.	Location
IC307	C-10
Q402	B-4
Q403	B-5

11  
(11)

1-675-655-

4-8. SCHEMATIC DIAGRAM – SERVO Board (1/2) – • See page 31 for Waveforms. • See page 36 for IC Block Diagrams.

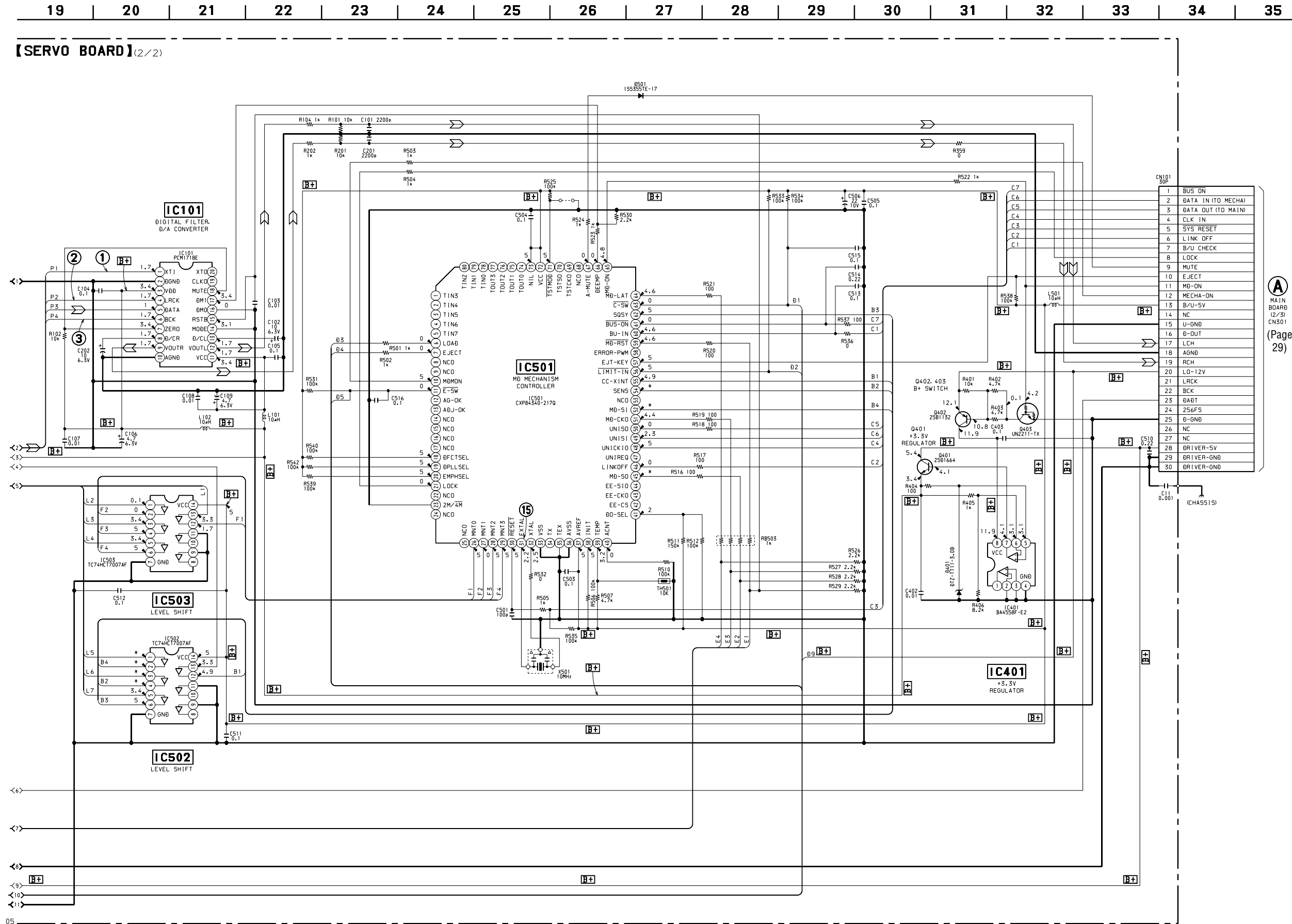


• Voltages and waveforms are dc with respect to ground under no-signal conditions.  
 no mark : MD PLAY  
 \* : Impossible to measure

The components identified by mark  $\Delta$  or dotted line with mark  $\Delta$  are critical for safety. Replace only with part number specified.



4-9. SCHEMATIC DIAGRAM – SERVO Board (2/2) – • See page 31 for Waveforms. • See page 36 for IC Block Diagram.

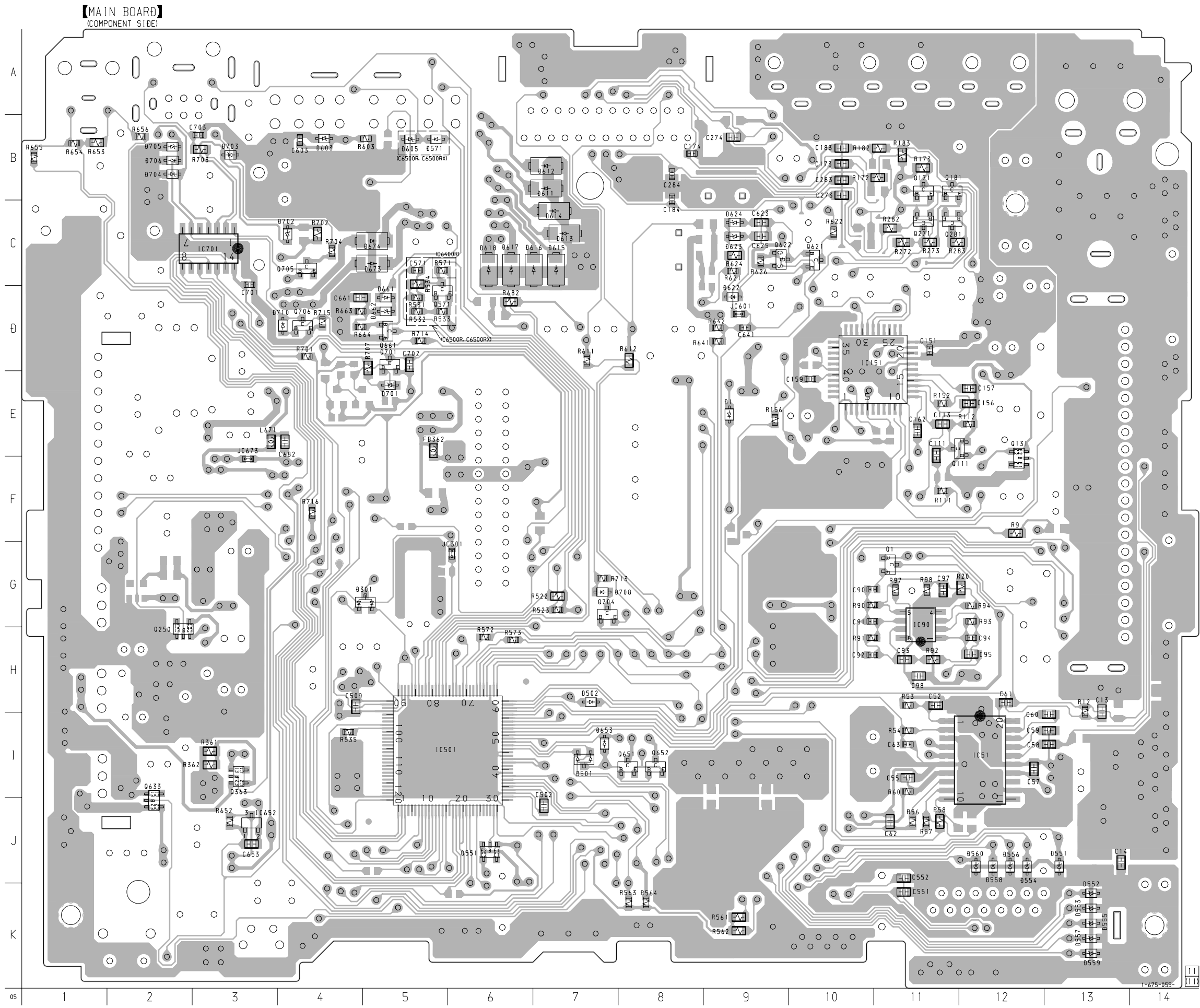


(A) MAIN BOARD (2/3) CN301 (Page 29)

• Voltages and waveforms are dc with respect to ground under no-signal conditions.  
no mark : MD PLAY  
\* : Impossible to measure

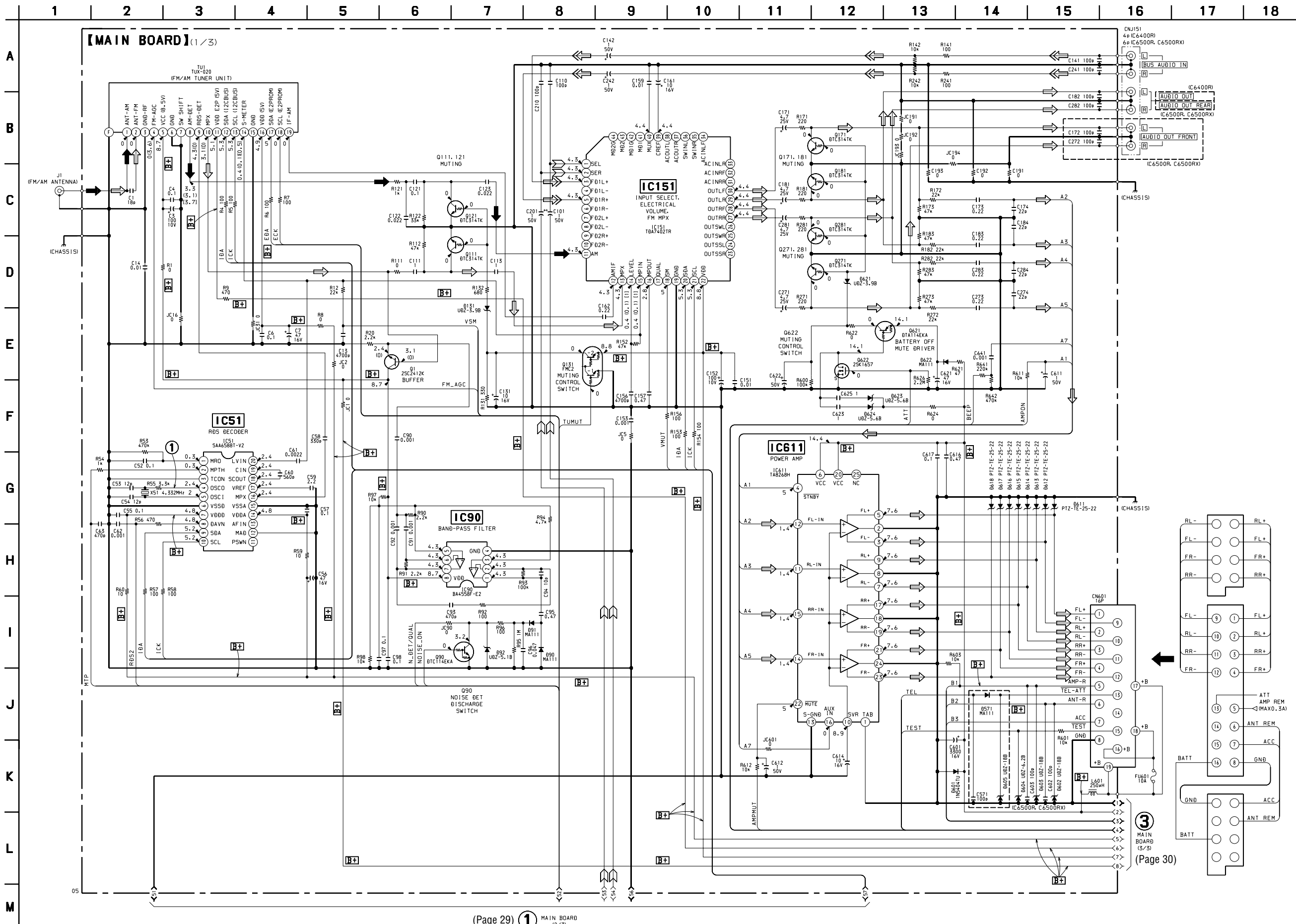
• Semiconductor Location

Ref. No.	Location
D1	E-9
D301	G-5
D501	I-7
D502	H-7
D551	J-13
D552	K-13
D553	K-13
D554	J-12
D555	K-13
D556	J-12
D557	K-13
D558	J-12
D559	K-13
D560	J-12
D571	B-5
D603	B-4
D605	B-5
D611	B-7
D612	B-7
D613	C-7
D614	C-7
D615	C-7
D616	C-7
D617	C-6
D618	C-6
D622	D-9
D623	C-9
D624	C-9
D653	I-7
D661	D-5
D662	D-5
D673	C-5
D674	C-5
D701	E-5
D702	C-4
D703	B-3
D704	B-2
D705	B-2
D706	B-2
D708	G-7
D710	D-4
IC51	I-12
IC90	G-11
IC151	D-10
IC501	I-5
IC652	J-3
IC701	C-3
Q1	G-11
Q111	E-12
Q131	F-12
Q171	B-11
Q181	B-11
Q250	H-2
Q271	C-11
Q281	C-11
Q363	I-3
Q551	J-6
Q571	D-5
Q621	C-10
Q622	C-9
Q633	J-2
Q651	I-8
Q652	I-8
Q661	D-5
Q701	D-5
Q704	G-7
Q705	C-4
Q706	D-4



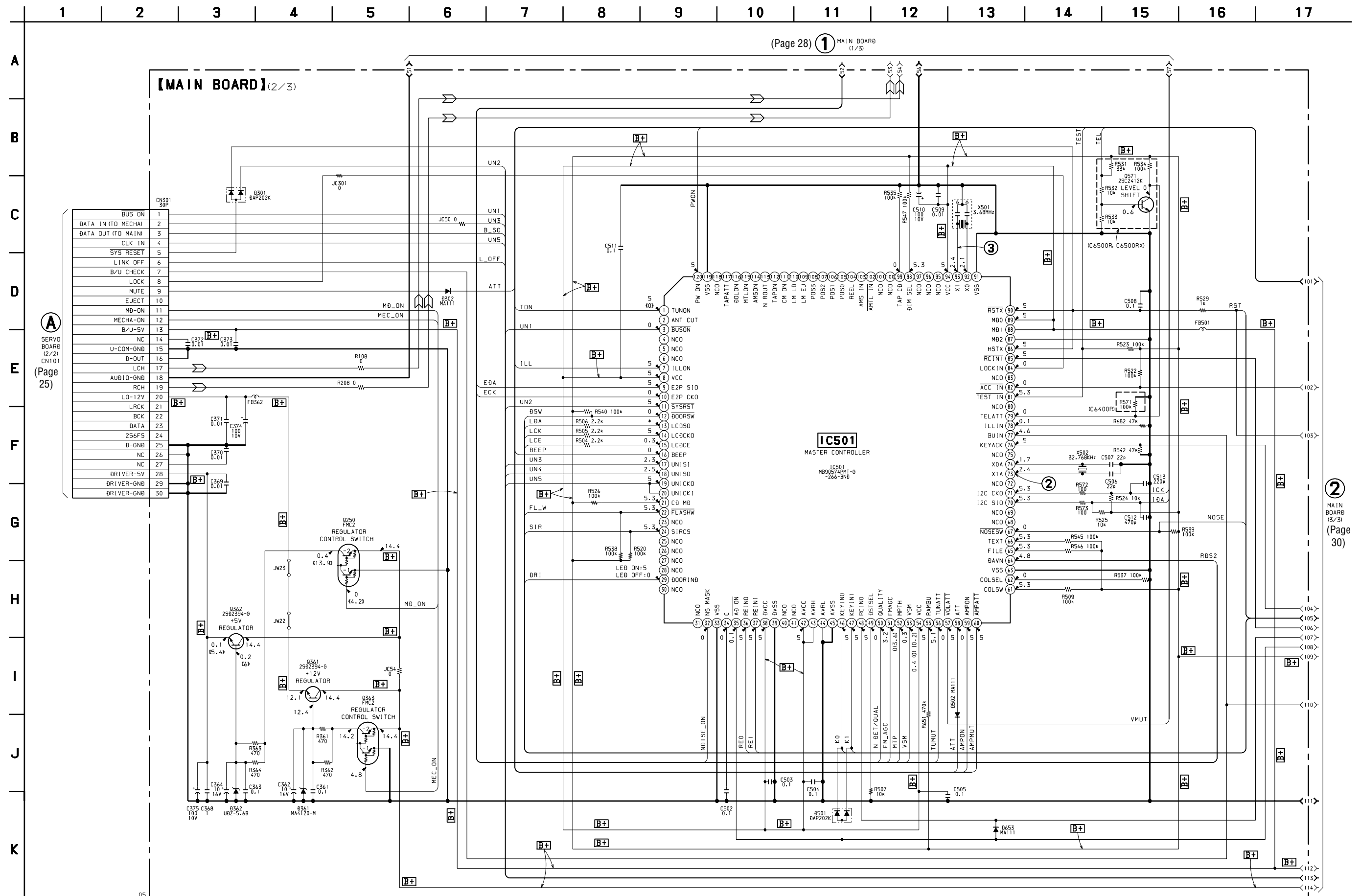


4-12. SCHEMATIC DIAGRAM – MAIN Board (1/3) – • See page 31 for Waveform. • See page 36 for IC Block Diagrams.



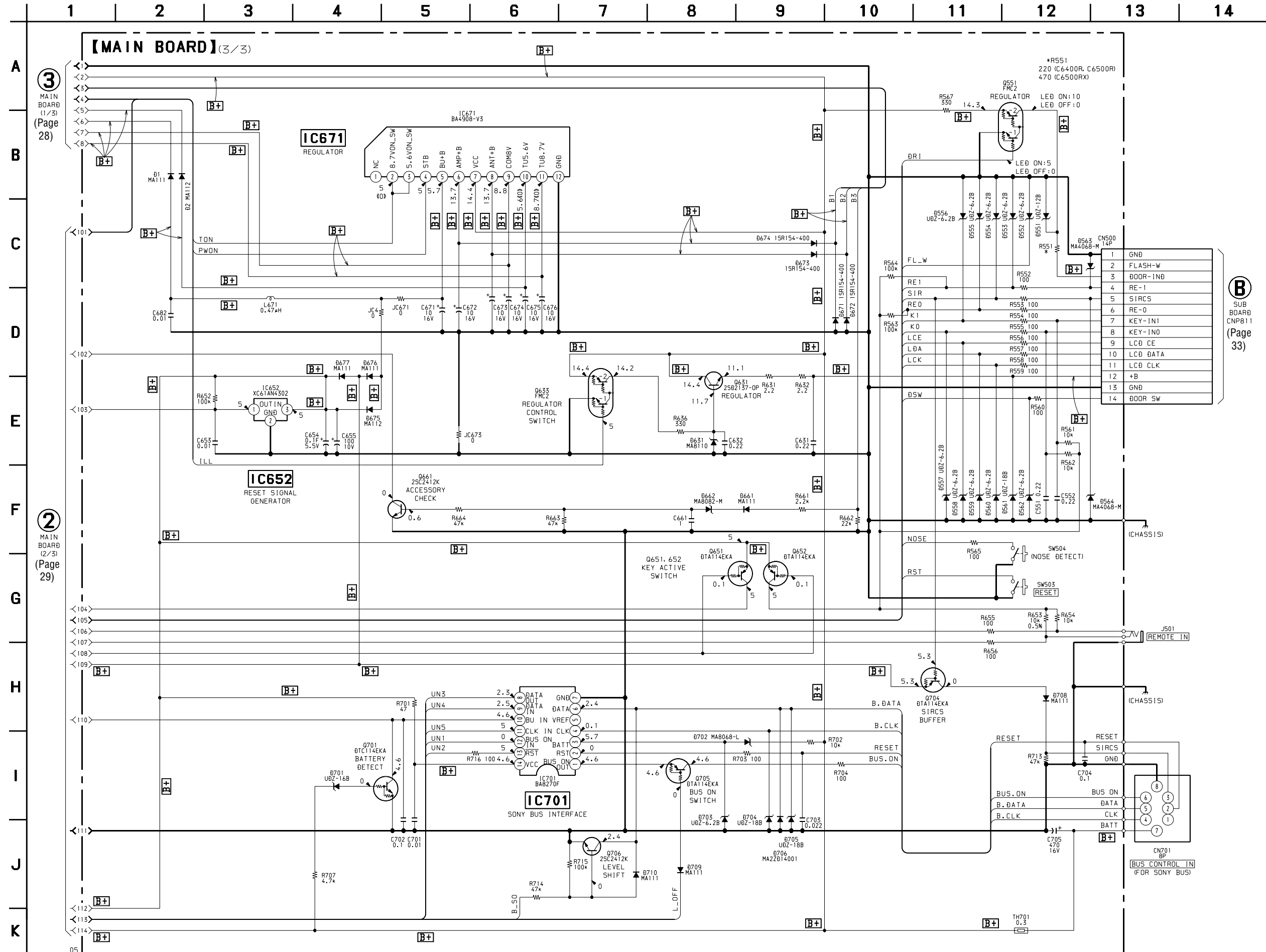
• Voltages and waveforms are dc with respect to ground under no-signal (detuned) conditions.  
 no mark : FM  
 ( ) : MW  
 [ ] : LW

4-13. SCHEMATIC DIAGRAM – MAIN Board (2/3) – • See page 31 for Waveforms.



• Voltages and waveforms are dc with respect to ground under no-signal (detuned) conditions.  
 no mark : FM  
 ( ) : MW  
 [ ] : LW  
 << >> : MD PLAY  
 \* : Impossible to measure

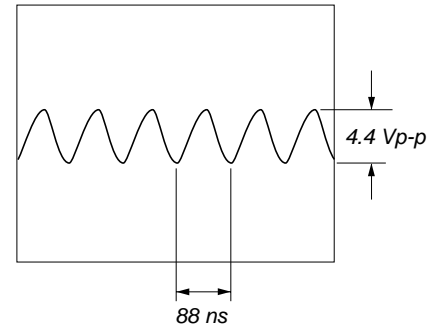
4-14. SCHEMATIC DIAGRAM – MAIN Board (3/3) – • See page 36 for IC Block Diagrams.



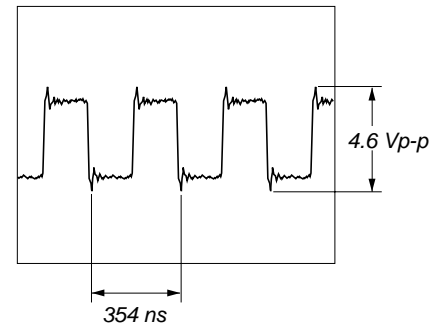
• Voltages are dc with respect to ground under no-signal (detuned) conditions.  
 no mark : FM  
 << >> : MD PLAY

• Waveforms  
– SERVO Board –

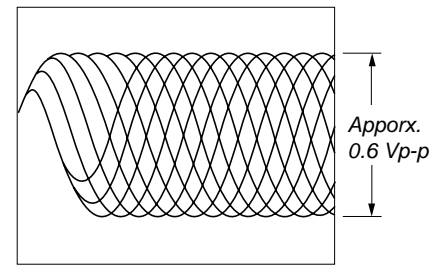
1 IC101 ① (XTI) (MD Play Mode)



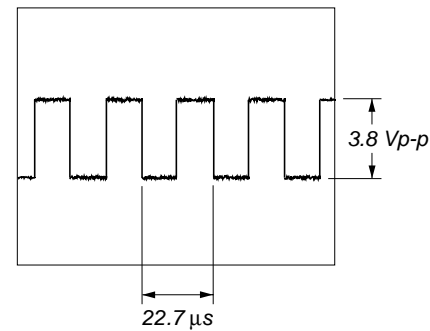
6 IC301 ⑳ (XBCK) (MD Play Mode)



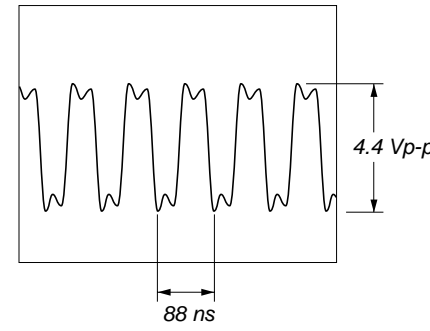
11 IC302 ①, ②, ④④, ④⑥ (I, J, AGCI, RFO) (MD Play Mode)



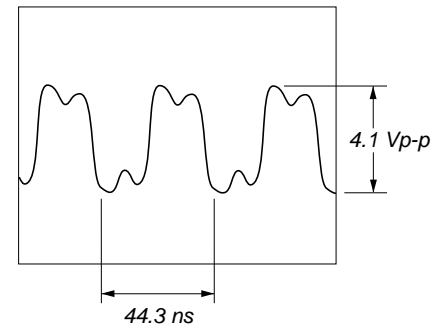
2 IC101 ④ (LRCK) (MD Play Mode)



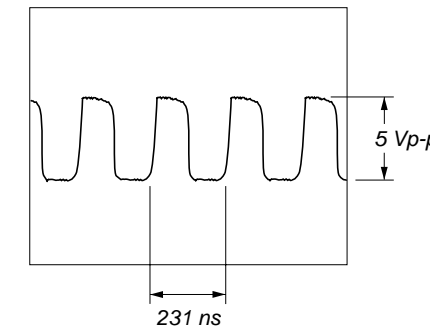
7 IC301 ⑳ (FS256) (MD Play Mode)



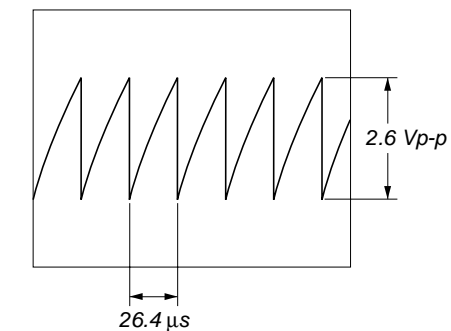
12 IC304 ①, ② (MD Play Mode)



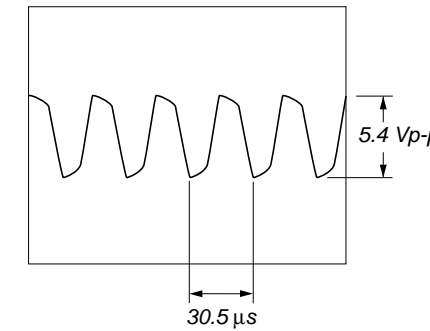
1 IC51 ④ (OSCD)



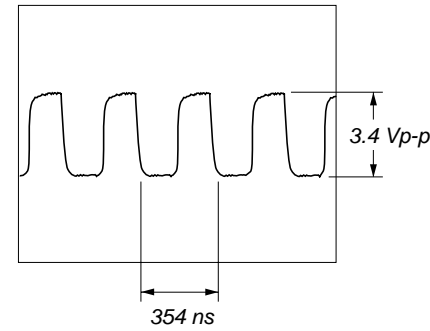
1 IC901 ⑩ (OSC)



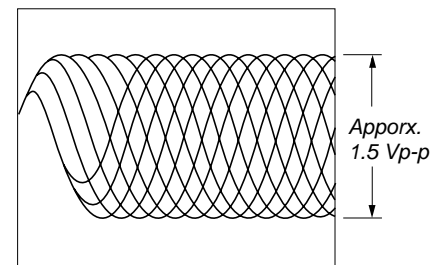
2 IC501 ㉓ (X1A)



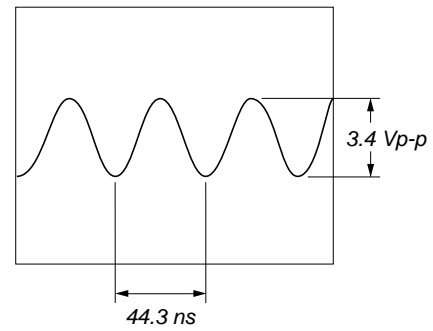
3 IC101 ⑤ (BCK) (MD Play Mode)



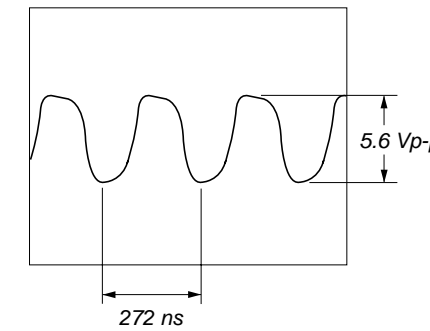
8 IC301 ㉑ (RFI), IC302 ④③ (RF) (MD Play Mode)



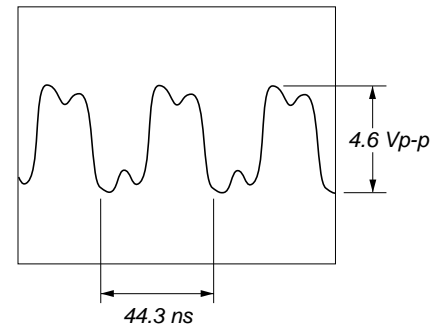
13 IC304 ③ (MD Play Mode)



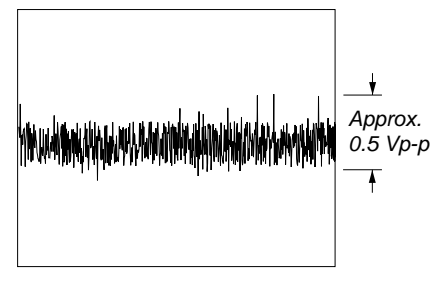
3 IC501 ④③ (X1A)



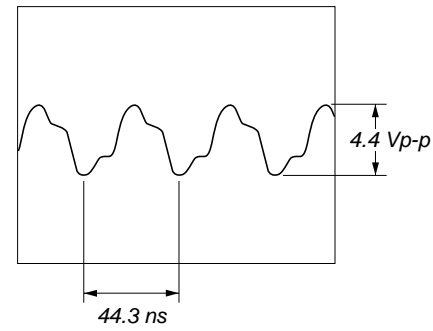
4 IC301 ⑰ (OSCI) (MD Play Mode)



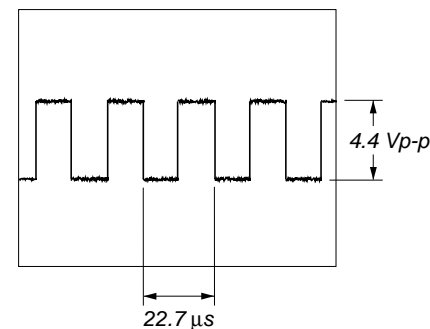
9 IC301 ④⑤ (FE), IC302 ④④ (FE) (MD Play Mode)



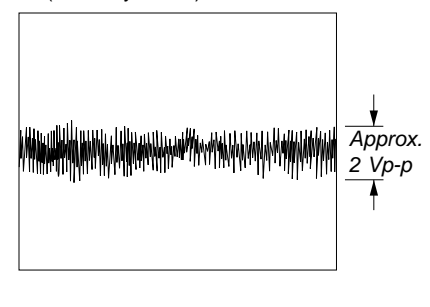
14 IC304 ⑦ (MD Play Mode)



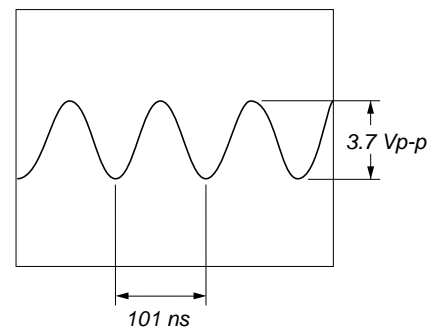
5 IC301 ⑳ (LRCK) (MD Play Mode)



10 IC301 ㉒ (TE), IC302 ④⑥ (TE) (MD Play Mode)



15 IC501 ④① (EXTAL)

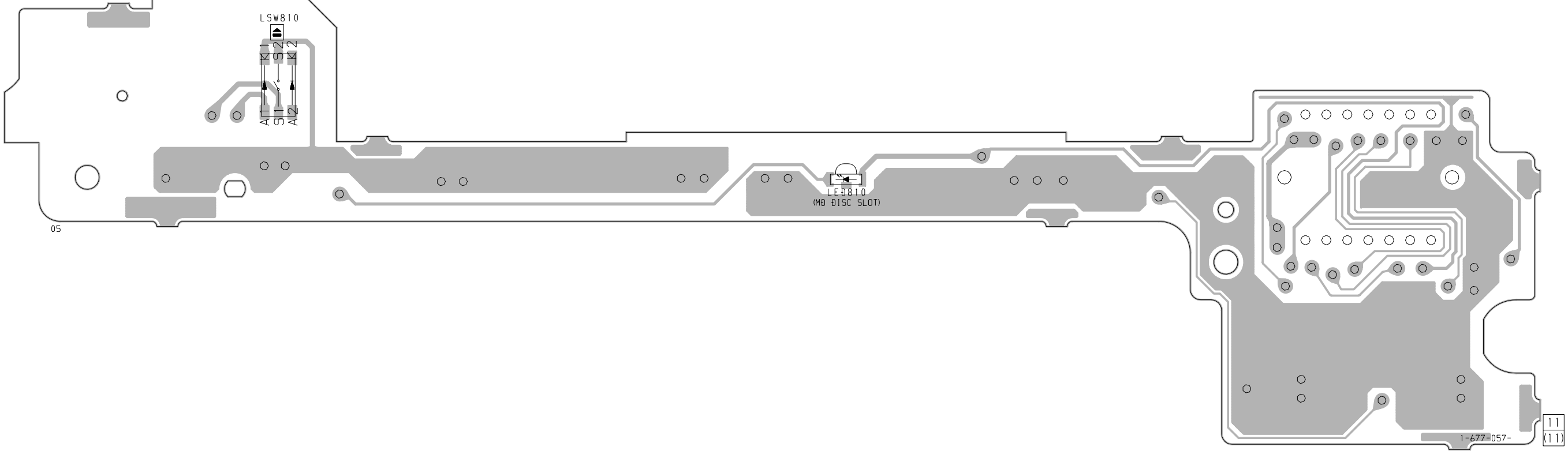


– MAIN Board –

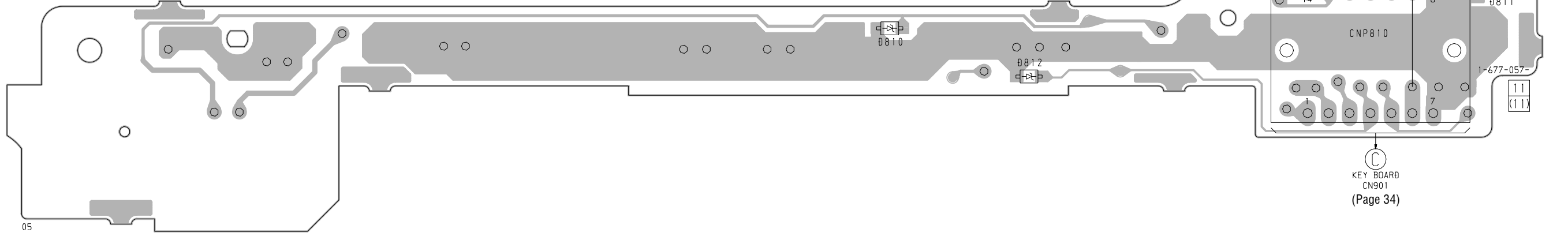
– KEY Board –

4-15. PRINTED WIRING BOARD – SUB Board – • See page 21 for Circuit Boards Location.

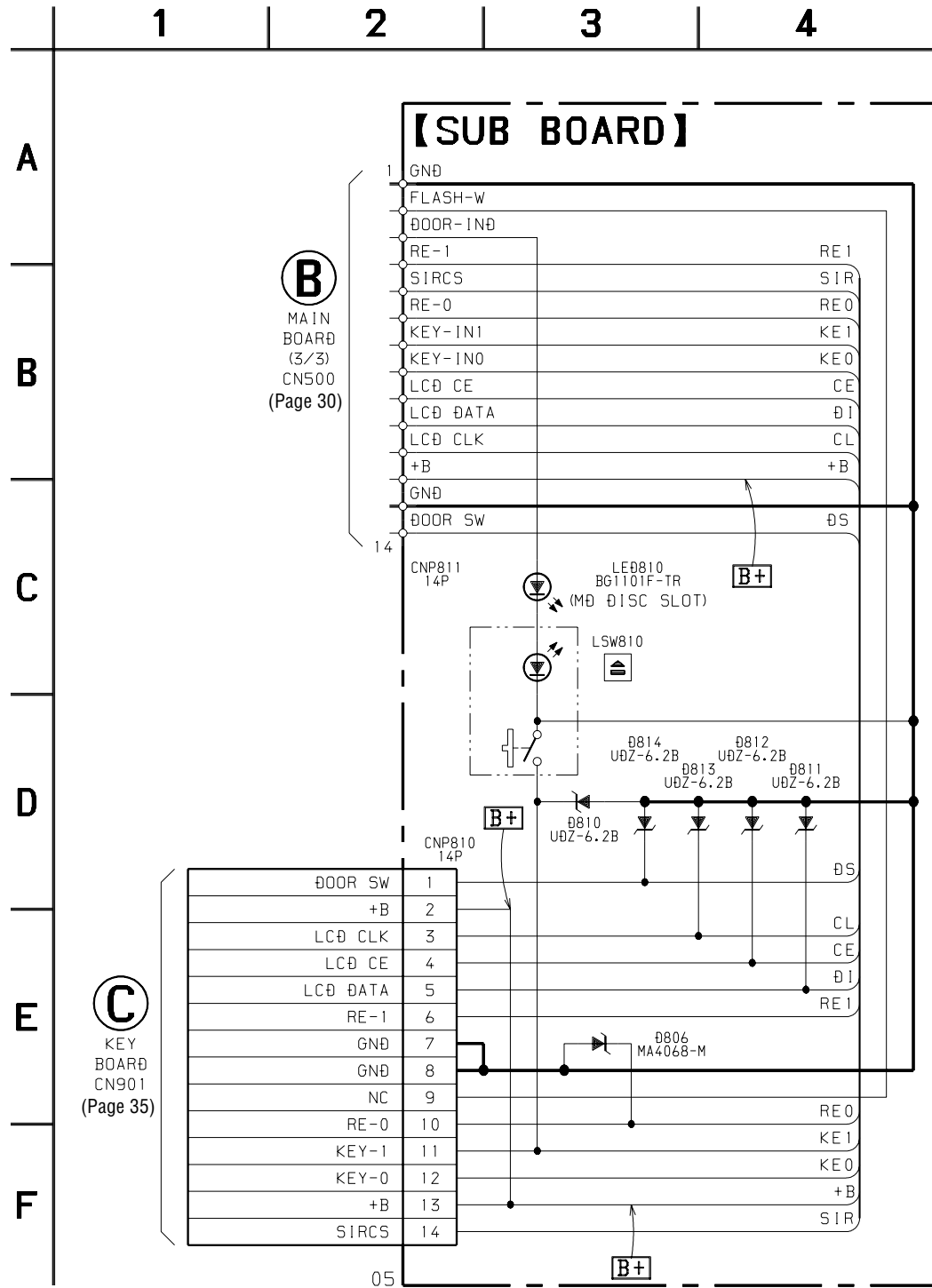
【SUB BOARD】(COMPONENT SIDE)



【SUB BOARD】(CONDUCTOR SIDE)



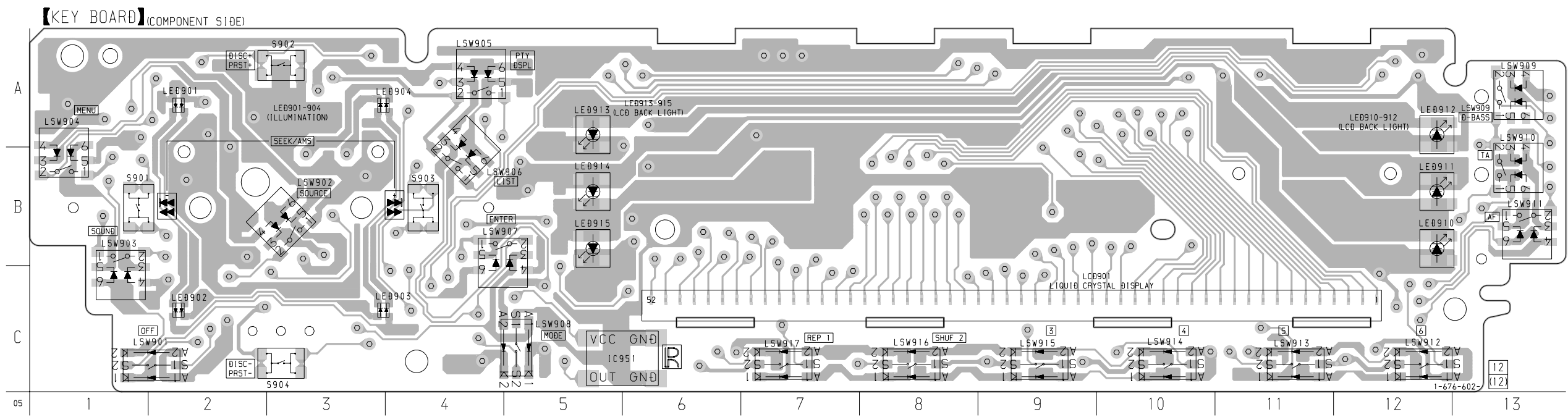




4-17. PRINTED WIRING BOARD – KEY Board – • See page 21 for Circuit Boards Location.

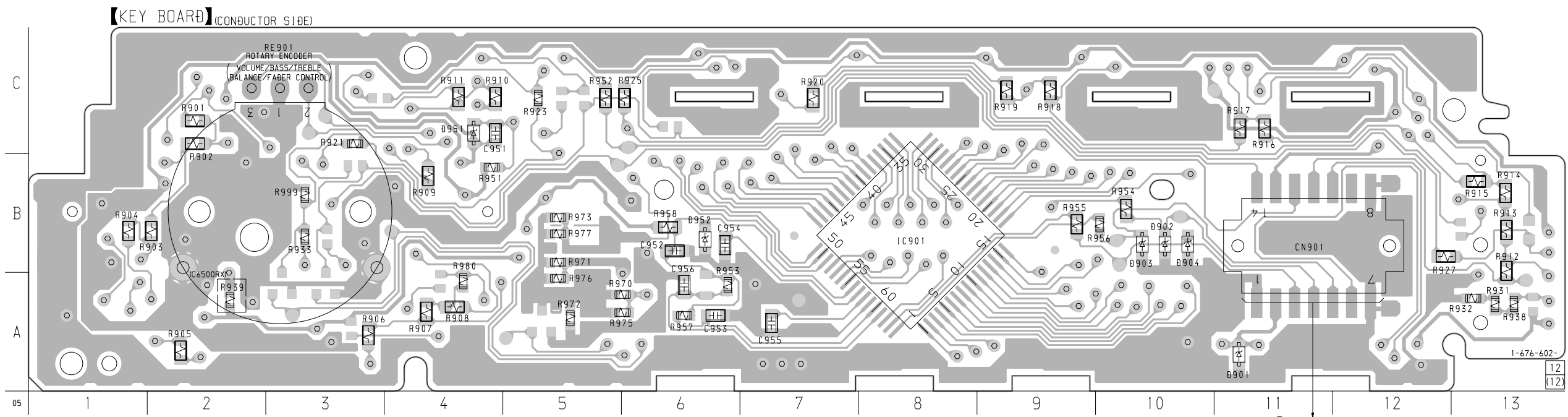
• Semiconductor Location

Ref. No.	Location
IC951	C-5
LED901	A-2
LED902	C-2
LED903	C-3
LED904	A-3
LED910	B-12
LED911	B-12
LED912	A-12
LED913	A-5
LED914	B-5
LED915	B-5



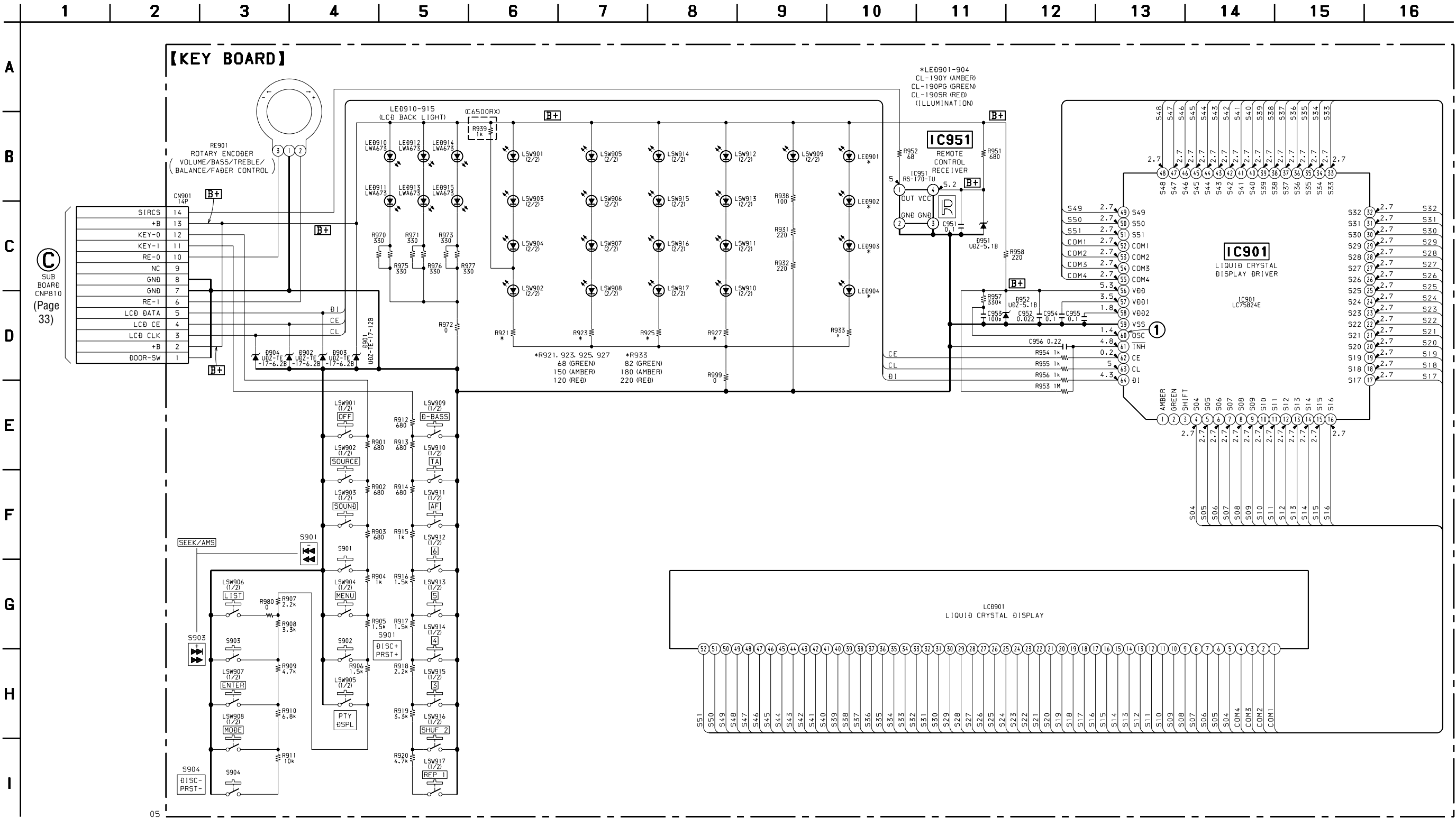
• Semiconductor Location

Ref. No.	Location
D901	A-11
D902	B-10
D903	B-10
D904	B-10
D951	C-4
D952	B-6
IC901	B-8



Ⓒ SUB BOARD CNP810  
(Page 32)

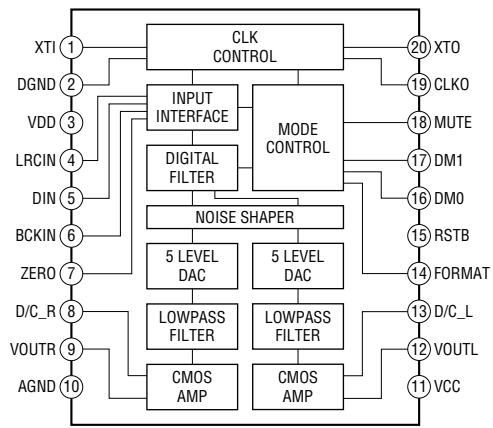
4-18. SCHEMATIC DIAGRAM – KEY Board – • See page 31 for Waveform.



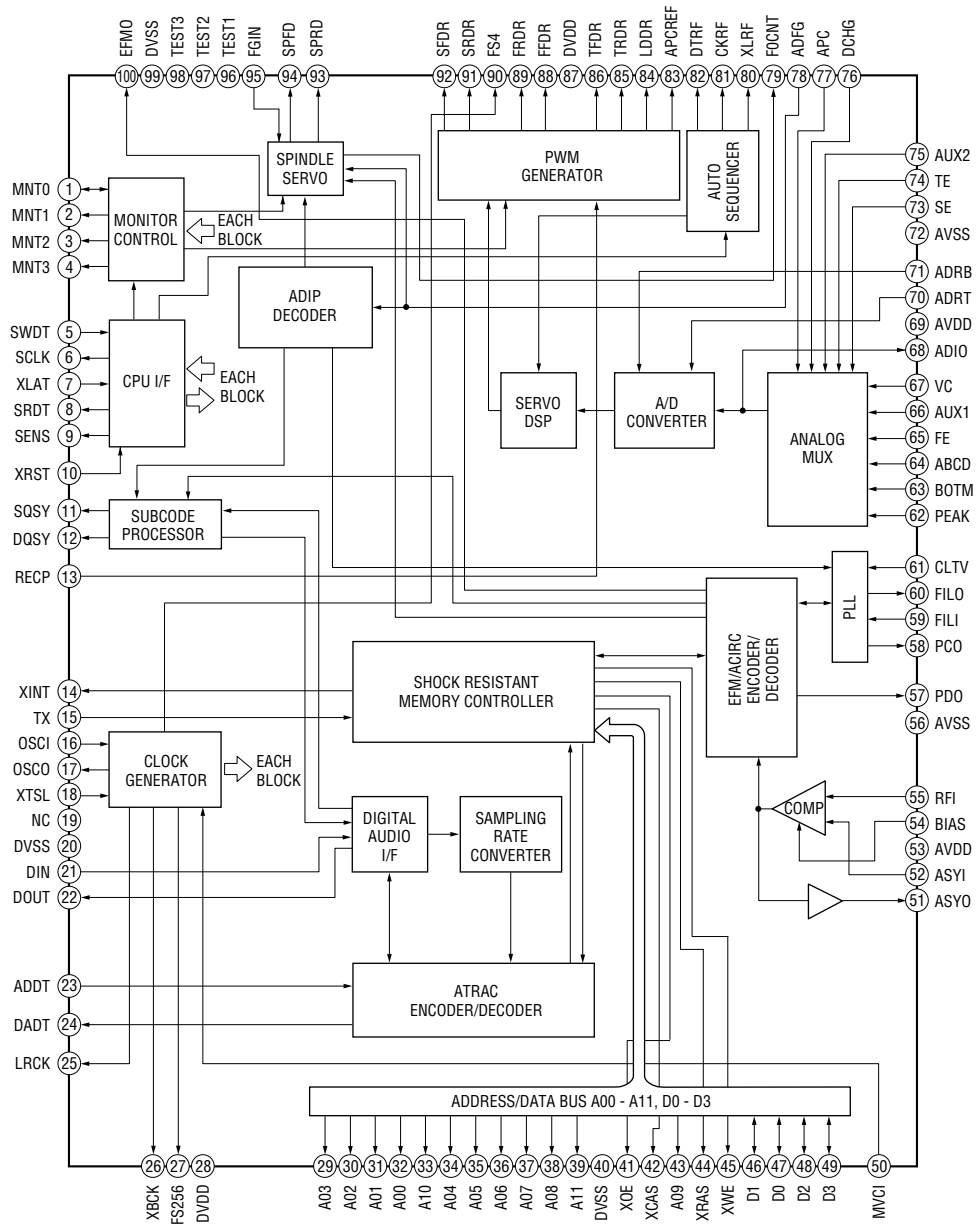
• Voltages and waveforms are dc with respect to ground under no-signal (detuned) conditions.  
no mark : FM

• IC Block Diagrams  
- SERVO Board -

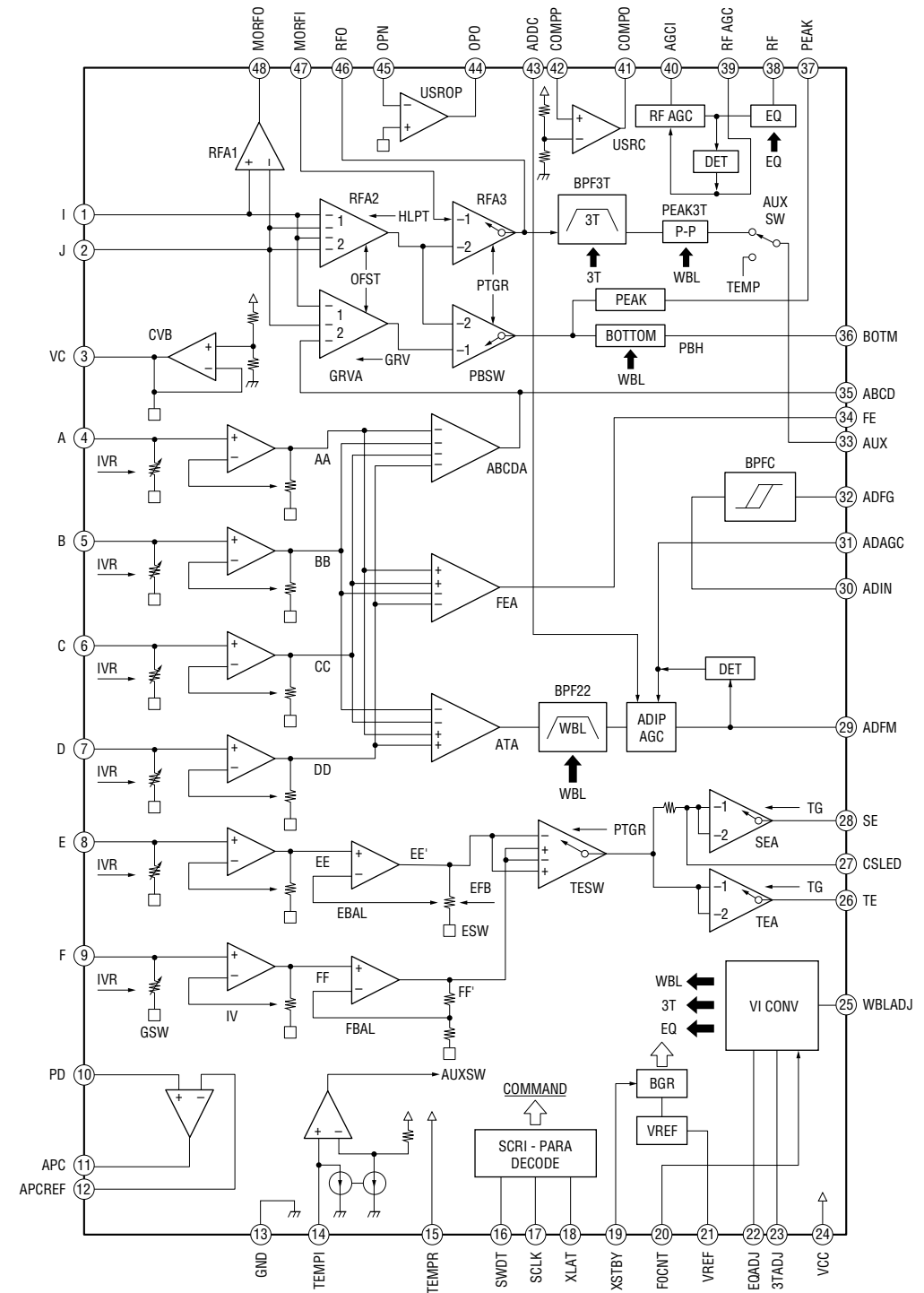
IC101 PCM1718E/2K



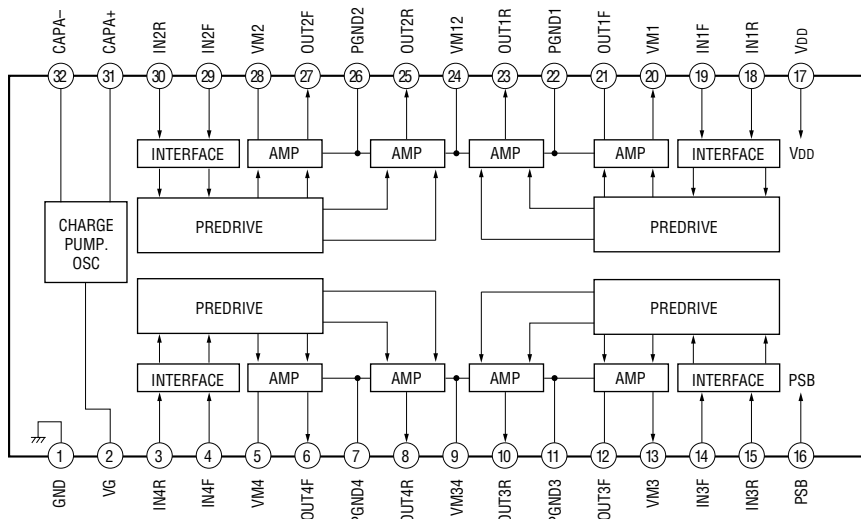
IC301 CXD2652AR



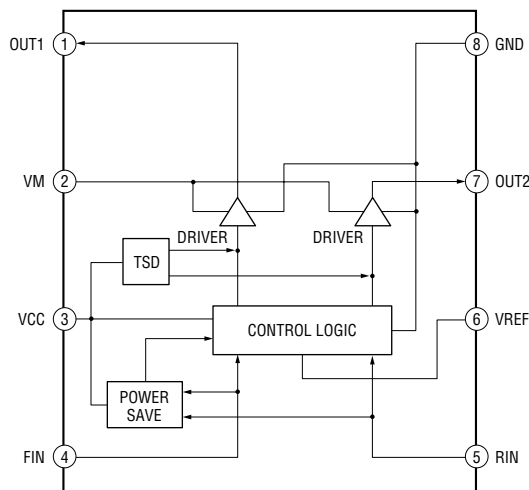
IC302 CXA2523AR



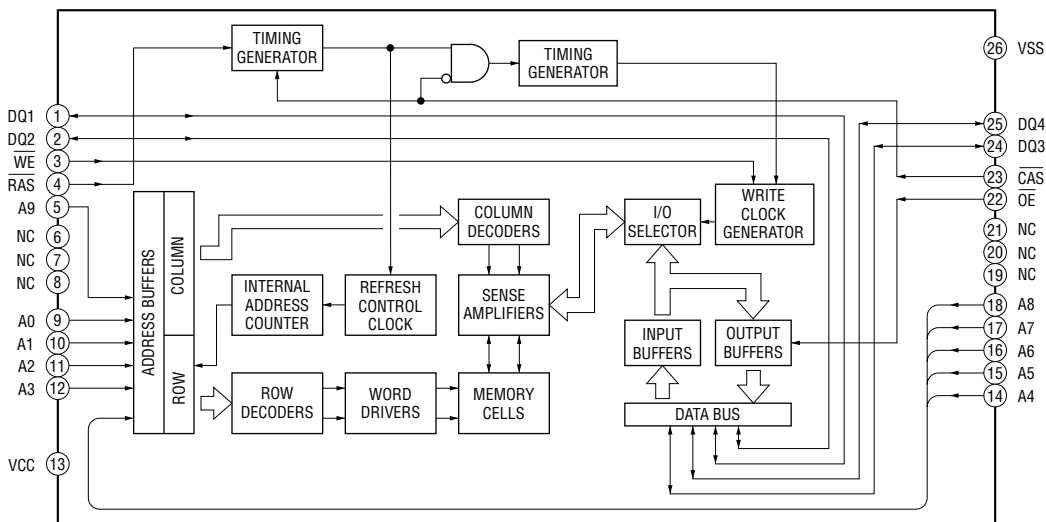
**IC303 BH6511FS-E2**



**IC305 BA6287F**

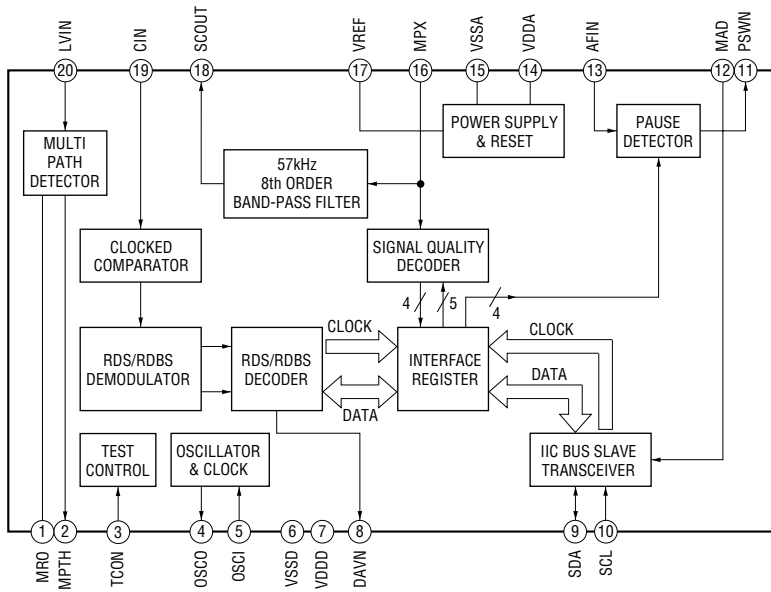


**IC307 MN41V4400TT-08S**

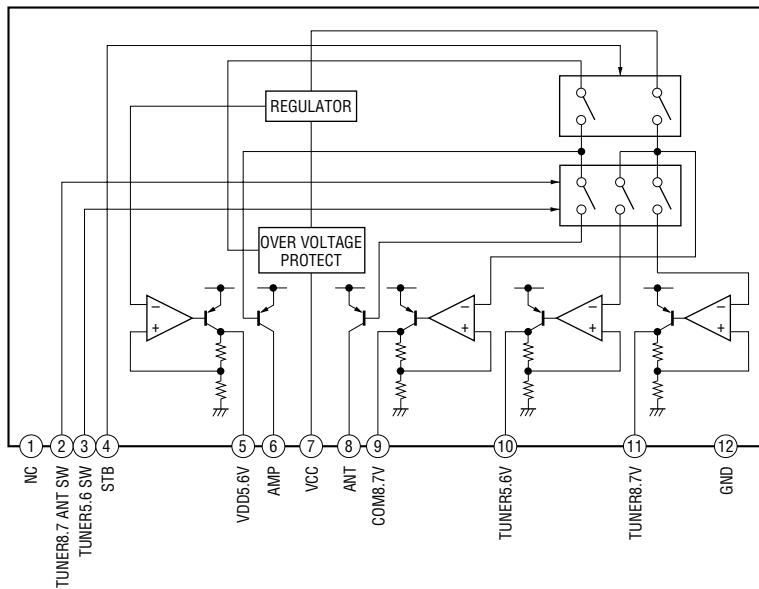


– MAIN Board –

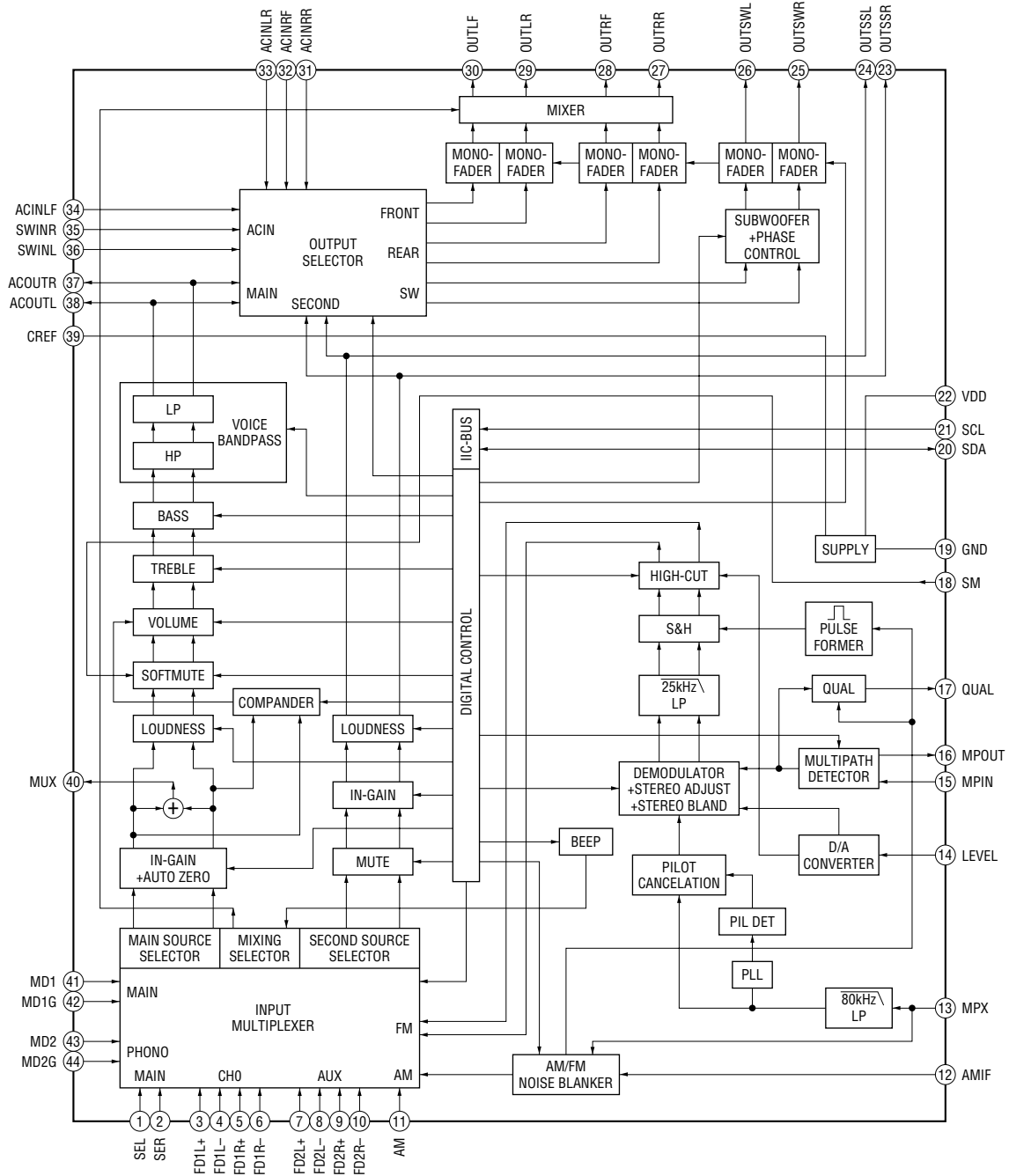
IC51 SAA6588T/V2-118



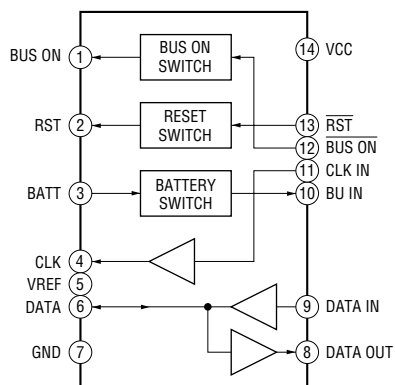
IC671 BA4908-V3



**IC151 TDA7402TR**



**IC701 BA8270F-E2**



#### 4-19. IC PIN FUNCTION DESCRIPTION

##### • SERVO BOARD IC301 CXD2652AR

(DIGITAL SIGNAL PROCESSOR, DIGITAL SERVO PROCESSOR, EFM/ACIRC ENCODER/DECODER, SHOCK PROOF MEMORY CONTROLLER, ATRAC ENCODER/DECODER, 2M BIT D-RAM)

Pin No.	Pin Name	I/O	Description
1	MNT0	O	Focus OK signal output to the MD mechanism controller (IC501) “H” is output when focus is on (“L”: NG)
2	MNT1	O	Track jump detection signal output to the MD mechanism controller (IC501)
3	MNT2	O	Busy monitor signal output to the MD mechanism controller (IC501)
4	MNT3	O	Spindle servo lock status monitor signal output to the MD mechanism controller (IC501)
5	SWDT	I	Writing serial data signal input from the MD mechanism controller (IC501)
6	SCLK	I	Serial data transfer clock signal input from the MD mechanism controller (IC501)
7	XLAT	I	Serial data latch pulse signal input from the MD mechanism controller (IC501)
8	SRDT	O (3)	Reading serial data signal output to the MD mechanism controller (IC501)
9	SENS	O (3)	Internal status (SENSE) output to the MD mechanism controller (IC501)
10	<u>XRST</u>	I	Reset signal input from the MD mechanism controller (IC501) “L”: reset
11	SQSY	O	Subcode Q sync (SCOR) output to the MD mechanism controller (IC501) “L” is output every 13.3 msec Almost all, “H” is output
12	DQSY	O	Digital In U-bit CD format subcode Q sync (SCOR) output terminal “L” is output every 13.3 msec Almost all, “H” is output Not used (open)
13	RECP	I	Laser power selection signal input terminal “L”: playback mode, “H”: recording mode (fixed at “L” in this set)
14	XINT	O	Interrupt status output to the MD mechanism controller (IC501)
15	TX	I	Recording data output enable signal input terminal Writing data transmission timing input (Also serves as the magnetic head on/off output) Not used (fixed at “L”)
16	OSCI	I	System clock signal (512Fs=22.5792 MHz) input from the oscillator circuit
17	OSCO	O	System clock signal (512Fs=22.5792 MHz) output terminal Not used (open)
18	XTSL	I	Input terminal for the system clock frequency setting “L”: 45.1584 MHz, “H”: 22.5792 MHz (fixed at “H” in this set)
19	RVDD	—	Power supply terminal (+3.3V) (digital system)
20	RVSS	—	Ground terminal (digital system)
21	DIN	I	Digital audio signal input terminal when recording mode Not used (fixed at “L”)
22	DOUT	O	Digital audio signal output terminal when playback mode Not used (open)
23	ADDT	I	Recording data input terminal Not used (fixed at “L”)
24	DADT	O	Playback data output to the PCM1718E (IC101)
25	LRCK	O	L/R sampling clock signal (44.1 kHz) output to the PCM1718E (IC101)
26	XBCK	O	Bit clock signal (2.8224 MHz) output to the PCM1718E (IC101)
27	FS256	O	Clock signal (11.2896 MHz) output to the PCM1718E (IC101)
28	DVDD	—	Power supply terminal (+3.3V) (digital system)
29 to 32	A03 to A00	O	Address signal output to the D-RAM (IC307)
33	A10	O	Address signal output to the external D-RAM Not used (open)
34 to 38	A04 to A08	O	Address signal output to the D-RAM (IC307)
39	A11	O	Address signal output to the external D-RAM Not used (open)
40	DVSS	—	Ground terminal (digital system)
41	<u>XOE</u>	O	Output enable signal output to the D-RAM (IC307) “L” active
42	<u>XCAS</u>	O	Column address strobe signal output to the D-RAM (IC307) “L” active
43	A09	O	Address signal output to the D-RAM (IC307)
44	<u>XRAS</u>	O	Row address strobe signal output to the D-RAM (IC307) “L” active
45	<u>XWE</u>	O	Write enable signal output to the D-RAM (IC307) “L” active



Pin No.	Pin Name	I/O	Description
46	D1	I/O	Two-way data bus with the D-RAM (IC307)
47	D0	I/O	
48	D2	I/O	
49	D3	I/O	
50	MVCI	I	Digital in PLL oscillation input from the external VCO Not used (fixed at "L")
51	ASYO	O	Playback EFM full-swing output terminal
52	ASYI	I (A)	Playback EFM asymmetry comparator voltage input terminal
53	AVDD	—	Power supply terminal (+3.3V) (analog system)
54	BIAS	I (A)	Playback EFM asymmetry circuit constant current input terminal
55	RFI	I (A)	Playback EFM RF signal input from the CXA2523AR (IC302)
56	AVSS	—	Ground terminal (analog system)
57	PDO	O (3)	Phase comparison output for clock playback analog PLL of the playback EFM Not used (open)
58	PCO	O (3)	Phase comparison output for master clock of the recording/playback EFM master PLL
59	FILI	I (A)	Filter input for master clock of the recording/playback master PLL
60	FILO	O (A)	Filter output for master clock of the recording/playback master PLL
61	CLTV	I (A)	Internal VCO control voltage input of the recording/playback master PLL
62	PEAK	I (A)	Light amount signal (RF/ABCD) peak hold input from the CXA2523AR (IC302)
63	BOTM	I (A)	Light amount signal (RF/ABCD) bottom hold input from the CXA2523AR (IC302)
64	ABCD	I (A)	Light amount signal (ABCD) input from the CXA2523AR (IC302)
65	FE	I (A)	Focus error signal input from the CXA2523AR (IC302)
66	AUX1	I (A)	Auxiliary signal (I <sub>3</sub> signal/temperature signal) input terminal Not used (fixed at "H")
67	VC	I (A)	Middle point voltage (+1.65V) input from the CXA2523AR (IC302)
68	ADIO	O (A)	Monitor output of the A/D converter input signal Not used (open)
69	AVDD	—	Power supply terminal (+3.3V) (analog system)
70	ADRT	I (A)	A/D converter operational range upper limit voltage input terminal (fixed at "H" in this set)
71	ADRB	I (A)	A/D converter operational range lower limit voltage input terminal (fixed at "L" in this set)
72	AVSS	—	Ground terminal (analog system)
73	SE	I (A)	Sled error signal input from the CXA2523AR (IC302)
74	TE	I (A)	Tracking error signal input from the CXA2523AR (IC302)
75	AUX2	I (A)	Auxiliary signal input terminal Light amount signal input from the CXA2523AR (IC302)
76	DCHG	I (A)	Connected to the +3.3V power supply
77	APC	I (A)	Error signal input for the laser automatic power control Not used (fixed at "L")
78	ADFG	I	ADIP duplex FM signal (22.05 kHz ± 1 kHz) input from the CXA2523AR (IC302)
79	FOCNT	O	Filter f0 control signal output terminal Not used (open)
80	XLRF	O	Serial data latch pulse signal output terminal Not used (open)
81	CKRF	O	Serial data transfer clock signal output terminal Not used (open)
82	DTRF	O	Writing serial data output terminal Not used (open)
83	APCREF	O	Control signal output to the reference voltage generator circuit for the laser automatic power control
84	LDDR	O	PWM signal output for the laser automatic power control Not used (open)
85	TRDR	O	Tracking servo drive PWM signal (-) output to the BH6511FS (IC303)
86	TFDR	O	Tracking servo drive PWM signal (+) output to the BH6511FS (IC303)
87	DVDD	—	Power supply terminal (+3.3V) (digital system)
88	FFDR	O	Focus servo drive PWM signal (+) output to the BH6511FS (IC303)

Pin No.	Pin Name	I/O	Description
89	FRDR	O	Focus servo drive PWM signal (-) output to the BH6511FS (IC303)
90	FS4	O	Clock signal (176.4 kHz) output terminal (X'tal system) Not used (open)
91	SRDR	O	Sled servo drive PWM signal (-) output to the BH6511FS (IC303)
92	SFDR	O	Sled servo drive PWM signal (+) output to the BH6511FS (IC303)
93	SPRD	O	Spindle servo drive PWM signal (-) output to the BH6511FS (IC303)
94	SPFD	O	Spindle servo drive PWM signal (+) output to the BH6511FS (IC303)
95	FGIN	I	Not used (fixed at "L")
96	TEST1	I	Input terminal for the test (fixed at "L")
97	TEST2	I	
98	TEST3	I	
99	DVSS	—	Ground terminal (digital system)
100	EFMO	O	EFM signal output terminal when recording mode Not used (open)

\* I (A) for analog input, O (3) for 3-state output, and O (A) for analog output in the column I/O.

• SERVO BOARD IC302 CXA2523AR (RF AMP, FOCUS/TRACKING ERROR AMP)

Pin No.	Pin Name	I/O	Description
1	I	I	I-V converted RF signal I input from the optical pick-up block detector
2	J	I	I-V converted RF signal J input from the optical pick-up block detector
3	VC	O	Middle point voltage (+1.65V) generation output terminal
4 to 9	A to F	I	Signal input from the optical pick-up detector
10	PD	I	Light amount monitor input from the optical pick-up block laser diode
11	APC	O	Laser amplifier output terminal to the automatic power control circuit
12	APCREF	I	Reference voltage input terminal for setting laser power
13	GND	—	Ground terminal
14	TEMPI	I	Connected to the temperature sensor Not used (open)
15	TEMPR	O	Output terminal for a temperature sensor reference voltage Not used (open)
16	SWDT	I	Writing serial data input from the MD mechanism controller (IC501)
17	SCLK	I	Serial data transfer clock signal input from the MD mechanism controller (IC501)
18	XLAT	I	Serial data latch pulse signal input from the MD mechanism controller (IC501)
19	XSTBY	I	Standby signal input terminal "L": standby (fixed at "H" in this set)
20	F0CNT	I	Center frequency control voltage input terminal of internal circuit (BPF22, BPF3T, EQ) input terminal
21	VREF	O	Reference voltage output terminal Not used (open)
22	EQADJ	I	Center frequency setting terminal for the internal circuit (EQ)
23	3TADJ	I	Center frequency setting terminal for the internal circuit (BPF3T)
24	VCC	—	Power supply terminal (+3.3V)
25	WBLADJ	I	Center frequency setting terminal for the internal circuit (BPF22)
26	TE	O	Tracking error signal output to the CXD2652AR (IC301)
27	CSLED	I	Connected to the external capacitor for low-pass filter of the sled error signal
28	SE	O	Sled error signal output to the CXD2652AR (IC301)
29	ADFM	O	FM signal output of the ADIP
30	ADIN	I	Receives a ADIP FM signal in AC coupling
31	ADAGC	I	Connected to the external capacitor for ADIP AGC
32	ADFG	O	ADIP duplex signal (22.05 kHz $\pm$ 1 kHz) output to the CXD2652AR (IC301)
33	AUX	O	Auxiliary signal (I <sub>s</sub> signal/temperature signal) output terminal Not used (open)
34	FE	O	Focus error signal output to the CXD2652AR (IC301)
35	ABCD	O	Light amount signal (ABCD) output to the CXD2652AR (IC301)
36	BOTM	O	Light amount signal (RF/ABCD) bottom hold output to the CXD2652AR (IC301)
37	PEAK	O	Light amount signal (RF/ABCD) peak hold output to the CXD2652AR (IC301)
38	RF	O	Playback EFM RF signal output to the CXD2652AR (IC301)
39	RFAGC	I	Connected to the external capacitor for RF auto gain control circuit
40	AGCI	I	Receives a RF signal in AC coupling
41	COMPO	O	User comparator output terminal Not used (open)
42	COMPP	I	User comparator input terminal Not used (fixed at "L")
43	ADDC	I	Connected to the external capacitor for cutting the low band of the ADIP amplifier
44	OPO	O	User operational amplifier output terminal Not used (open)
45	OPN	I	User operational amplifier inversion input terminal Not used (fixed at "L")
46	RFO	O	RF signal output terminal
47	MORFI	I	Receives a MO RF signal in AC coupling
48	MORFO	O	MO RF signal output terminal

• SERVO BOARD IC501 CXP84340-217Q (MD MECHANISM CONTROLLER)

Pin No.	Pin Name	I/O	Description
1 to 5	TIN3 to TIN7	I/O	Input of the 4×8 matrix test keys (“L” is always output, except in test mode) Not used (open)
6	LOAD	O	Loading motor control signal output to the motor driver (IC305) “H” active *1
7	EJECT	O	Loading motor control signal output to the motor driver (IC305) “H” active *1
8, 9	NCO	O	Not used (open)
10	MDMON	O	Power supply on/off control signal output of the MD mechanism deck section main power supply and loading motor drive (IC305) power supply “H”: power on
11	$\overline{\text{E-SW}}$	I	Inputs the disc loading completion detect switch detection signal “L”: When completed of the disc loading operation
12	AG-OK	O	Output of aging status in test mode “L”: under aging, “H”: aging completed Not used (open)
13	ADJ-OK	O	Output of status when aging completed in test mode “L”: aging NG, “H”: aging OK Not used (open)
14 to 17	NCO	O	Not used (open)
18	DFCTSEL	I	Select whether defect function is used for the CXD2652AR (IC301) “L”: used this function, “H”: not used this function (fixed at “H” in this set)
19	DPLLSEL	I	Select whether digital PLL function is used for the CXD2652AR (IC301) “L”: used this function, “H”: not used this function (fixed at “H” in this set)
20	EMPHSEL	I	Select whether emphasis signal output from pin or unilink data “L”: outputs from both pin and unilink data, “H”: output from pin only (fixed at “H” in this set)
21	LOCK	O	Mini-disc lock detection signal output to the master controller (IC501) “H”: lock
22	NCO	O	Not used (open)
23	2M/4M	I	Select whether D-RAM capacitance 2M bit or 4M bit “L”: 4M bit (external D-RAM), “H”: 2M bit (internal D-RAM of CXD2652AR) (fixed at “L” in this set)
24, 25	NCO	O	Not used (open)
26	MNT0	I	Focus OK signal input from the CXD2652AR (IC301) “H” is input when focus is on (“L”: NG)
27	MNT1	I	Track jump detection signal input from the CXD2652AR (IC301)
28	MNT2	I	Busy monitor signal input from the CXD2652AR (IC301)
29	MNT3	I	Spindle servo lock status monitor signal input from the CXD2652AR (IC301)
30	$\overline{\text{RESET}}$	I	System reset signal input from the master controller (IC501), reset signal generator (IC652) and reset switch (SW503) “L”: reset For several hundreds msec. after the power supply rises, “L” is input, then it changes to “H”
31	EXTAL	O	Main system clock output terminal (10 MHz)
32	XTAL	I	Main system clock input terminal (10 MHz)
33	VSS	—	Ground terminal
34	TX	O	Sub system clock output terminal (32.768 kHz) Not used (open)
35	TEX	I	Sub system clock input terminal (32.768 kHz) Not used (fixed at “L”)
36	AVSS	—	Ground terminal (for A/D converter)
37	AVREF	I	Reference voltage input terminal (+5V) (for A/D converter)
38	INIT	I	Initial reset signal input terminal (A/D input) (fixed at “H”)
39	TEMP	I	Temperature sensor (TH501) input terminal (A/D input)
40	ACNT	I	Select the number of load/eject aging times (A/D input) 0H – 54H (30 times), 55H – OA9H (20 times), OAAH – OFFH (10 times)
41	DO-SEL	I	Select the digital output bits (A/D input)
42	EE-CS	O	Chip select signal output to the external EEPROM device Not used (open)
43	EE-CKO	O	Serial data transfer clock signal output to the external EEPROM device Not used (open)
44	EE-SIO	I/O	Two way data bus with the external EEPROM device Not used (open)
45	MD-SO	O	Writing serial data signal output to the CXD2652AR (IC301) and CXA2523AR (IC302)
46	LINKOFF	O	Unilink on/off control signal output for the SONY bus “L”: link on, “H”: link off

Pin No.	Pin Name	I/O	Description
47	UNIREQ	O	Data request signal output terminal (for SONY bus) "H": request on Not used (open)
48	UNICKIO	I/O	Serial clock signal input from the master controller (IC501) or serial clock signal output to the SONY bus interface (IC701) and master controller (IC501) (for SONY bus)
49	UNISI	I	Serial data input from the SONY bus interface (IC701)
50	UNISO	O	Serial data output to the SONY bus interface (IC701)
51	MD-CKO	O	Serial data transfer clock signal output to the CXD2652AR (IC301) and CXA2523AR (IC302)
52	MD-SI	I	Reading serial data signal input from the CXD2652AR (IC301)
53	NCO	O	Not used (open)
54	SENS	I	Internal status (SENSE) input from the CXD2652AR (IC301)
55	CC-XINT	I	Interrupt status input from the CXD2652AR (IC301)
56	$\overline{\text{LIMIT-IN}}$	I	Detection input from the sled limit-in detect switch The optical pick-up is inner position when "L"
57	EJT-KEY	I	Eject request signal input terminal "L": eject on Not used (fixed at "H")
58	ERROR-PWM	O	PWM error monitor output terminal (C1 and ATER is output when test mode) Not used (open)
59	$\overline{\text{MD-RST}}$	O	Reset signal output to the PCM1718E (IC101), CXD2652AR (IC301) and BH6511FS (IC303) "L": reset
60	BU-IN	I	Battery detect signal input from the SONY bus interface (IC600) and battery check circuit "H": battery on
61	$\overline{\text{BUS-ON}}$	I	SONY bus on/off control signal input from the master controller (IC700) "L": bus on
62	SQSY	I	Subcode Q sync (SCOR) input from the CXD2652AR (IC301) "L" is input every 13.3 msec Almost all, "H" is input
63	$\overline{\text{C-SW}}$	I	Inputs the disc loading start or disc eject completion detect switch detection signal "L": When start or eject completed of the disc loading operation
64	MD-LAT	O	Serial data latch pulse signal output to the CXD2652AR (IC301) and CXA2523AR (IC302)
65	MD-ON	O	Power supply on/off control signal output of the MD mechanism deck section main power supply "H": power on
66	DEEMP	O	Emphasis on/off control signal output to the PCM1718E (IC101) "H": emphasis on
67	A-MUTE	O	Audio muting on/off control signal output terminal
68	NCO	O	Not used (open)
69	TSTCKO	O	Output of clock signal for the test mode display Not used (open)
70	$\overline{\text{TSTSO}}$	O	Output of data for the test mode display Not used (open)
71	$\overline{\text{TSTMOD}}$	I	Setting terminal for the test mode "L": test mode, "H": normal mode
72	VCC	—	Power supply terminal (+5V)
73	NIL	I	Not used (fixed at "H")
74 to 77	TOUT0 to TOUT3	O	Output of the 4x8 matrix test keys Not used (open)
78 to 80	TIN0 to TIN2	I/O	Input of the 4x8 matrix test keys ("L" is always output, except in test mode) Not used (open)

\*1 Loading motor (M903) control

Terminal \ Operation	IN	OUT	BRAKE	STOP
LOAD (pin ⑥)	"H"	"L"	"H"	"L"
EJECT (pin ⑦)	"L"	"H"	"H"	"L"

• MAIN BOARD IC501 MB90574PMT-G-266-BND (MASTER CONTROLLER)

Pin No.	Pin Name	I/O	Description
1	TUNON	O	Tuner system power supply on/off control signal output to the BA4908 (IC671) “H”: tuner power on
2	ANT CUT	O	Tuner system power supply on/off control signal output terminal “H”: tuner power on Not used (open)
3	$\overline{\text{BUSON}}$	O	Bus on/off control signal output to the MD mechanism controller (IC501) and SONY bus interface (IC701) “L”: bus on
4 to 6	NCO	O	Not used (open)
7	ILLON	O	Power on/off control signal output of the illumination LED and liquid crystal display driver (IC901) “H”: power on
8	VCC	—	Power supply terminal (+5V)
9	E2P SIO	I/O	Two-way data E2P bus with the FM/AM tuner unit (TU1)
10	E2P CKO	O	E2P bus clock signal output to the FM/AM tuner unit (TU1)
11	$\overline{\text{SYSRST}}$	O	System reset signal output to the MD mechanism controller (IC501) and SONY bus interface (IC701) “L”: reset
12	$\overline{\text{DOORSW}}$	I	Front panel open/close detection signal input terminal “L” is input when the front panel is closed
13	LCDSO	O	Serial data output to the liquid crystal display driver (IC901)
14	LCDCKO	O	Serial data transfer clock signal output to the liquid crystal display driver (IC901)
15	LCDCE	O	Chip enable signal output to the liquid crystal display driver (IC901) “H” active
16	BEEP	O	Beep sound drive signal output to the power amplifier (IC611)
17	UNISI	I	Serial data input from the SONY bus interface (IC701)
18	UNISO	O	Serial data output to the SONY bus interface (IC701)
19	UNICKO	O	Serial clock signal output to the MD mechanism controller (IC501) and SONY bus interface (IC701)
20	UNICKI	I	Serial clock signal input from the MD mechanism controller (IC501) (for SONY bus)
21	CD MD	I	Setting terminal for the internal mechanism CD or MD “L”: CD, “H”: MD (fixed at “H” in this set)
22	$\overline{\text{FLASHW}}$	I	Internal flash memory data write mode detection signal input terminal “L”: data write mode Not used
23	NCO	O	Not used (open)
24	SIRCS	I	Sires remote control signal input from the remote control receiver (IC951)
25 to 28	NCO	O	Not used (open)
29	DOORIND	O	LED drive signal output of the MD disc slot illumination and $\blacktriangle$ indicator (LED810, LSW810) “H”: LED on “H” is output to turn on LED when front panel is opened
30, 31	NCO	O	Not used (open)
32	NS MASK	O	Discharge control signal output for the noise detection circuit “H”: discharge
33	VSS	—	Ground terminal
34	C	—	Connected to coupling capacitor for the power supply
35	$\overline{\text{AD ON}}$	O	A/D converter power control signal output terminal When the KEYACK (pin 76) that controls reference voltage power for key A/D conversion input is active, “L” is output from this terminal to enable the input
36	REIN0	I	Dial pulse input of the rotary encoder (RE901) (for VOLUME/BASS/TREBLE/BALANCE/FADER control)
37	REIN1	I	
38	DVCC	—	Power supply terminal (+5V) (for D/A converter)
39	DVSS	—	Ground terminal (for D/A converter)
40, 41	NCO	O	Not used (open)
42	AVCC	—	Power supply terminal (+5V) (for analog system)

Pin No.	Pin Name	I/O	Description
43	AVRH	I	Reference voltage (+5V) input terminal (for A/D converter)
44	AVRL	I	Reference voltage (0V) input terminal (for A/D converter)
45	AVSS	—	Ground terminal (for analog system)
46	KEYIN0	I	Key input terminal (A/D input) (LSW901 to LSW908, S901 to S904) OFF, SOURCE, SOUND, MENU, PTY DSPL, LIST, ENTER, MODE, SEEK/AMS - ◀◀ ◀◀ + ▶▶ ▶▶, DISC/PRST +, PRST/DISC - keys input
47	KEYIN1	I	Key input terminal (A/D input) (LSW810, LSW909 to LSW917) ▲, D-BASS, TA, FA, 6 to 3 SHUF 2, REP 1 keys input
48	RCIN0	I	Rotary remote commander key input terminal (A/D input)
49	DSTSEL	I	Destination setting terminal (fixed at “L” in this set)
50	QUALITY	I	Noise level detection signal input at SEEK mode (A/D input)
51	FMAGC	I	FM AGC detection signal input from the FM/AM tuner unit (TU1) (A/D input)
52	MPTH	I	Multi-path detection signal input from the RDS decoder (IC51) (A/D input)
53	VSM	I	FM and AM signal meter voltage detection input from the FM/AM tuner unit (TU1) (A/D input)
54	VCC	—	Power supply terminal (+5V)
55	RAMBU	I	Internal RAM reset detection signal input terminal Input terminal to check that RAM data are not destroyed due to low voltage This checking is made within 100 msec after reset Not used (fixed at “H”)
56	TUNATT	O	Muting on/off control signal output of the FM/AM tuner signal “H”: muting on
57	$\overline{\text{VOLATT}}$	O	Pre amplifier muting on/off control signal output to the electrical volume (IC151) “L”: muting on
58	ATT	O	Audio line muting on/off control signal output terminal “H”: muting on
59	AMPON	O	Standby on/off control signal output to the power amplifier (IC611) “L”: standby mode, “H”: amplifier on
60	$\overline{\text{AMPATT}}$	O	Power amplifier muting on/off control signal output to the power amplifier (IC611) “L”: muting on
61	COLSW	I	Setting terminal for the illumination color “L”: 2 color, “H”: 1 color (fixed at “H” in this set)
62	COLSEL	I	Setting terminal for the illumination color “L”: amber, “H”: green (fixed at “L” in this set)
63	VSS	—	Ground terminal
64	DAVN	I	Data transmit completed detection signal input from the RDS decoder (IC51) “H” active
65	FILE	I	Setting terminal for the custom file “L”: unavailable, “H”: available (fixed at “H” in this set)
66	TEXT	I	Setting terminal for the CD text “L”: unavailable, “H”: available (fixed at “H” in this set)
67	$\overline{\text{NOSESW}}$	I	Front panel block remove/attach detection signal input from the nose detection switch (SW504) “L”: front panel is attached
68, 69	NCO	O	Not used (open)
70	I2C SIO	I/O	Two-way data I2C bus with the FM/AM tuner unit (TU1), RDS decoder (IC51) and electrical volume (IC151)
71	I2C CKO	O	I2C bus clock signal output to the FM/AM tuner unit (TU1), RDS decoder (IC51) and electrical volume (IC151)
72	NCO	O	Not used (open)
73	X1A	O	Sub system clock output terminal (32.768 kHz)
74	X0A	I	Sub system clock input terminal (32.768 kHz)
75	NCO	O	Not used (open)
76	KEYACK	I	Input of acknowledge signal for the key entry Acknowledge signal is input to accept function and eject keys in the power off status On at input of “H”
77	BUIN	I	Battery detection signal input from the SONY bus interface (IC701) and battery detect circuit “L” is input at low voltage

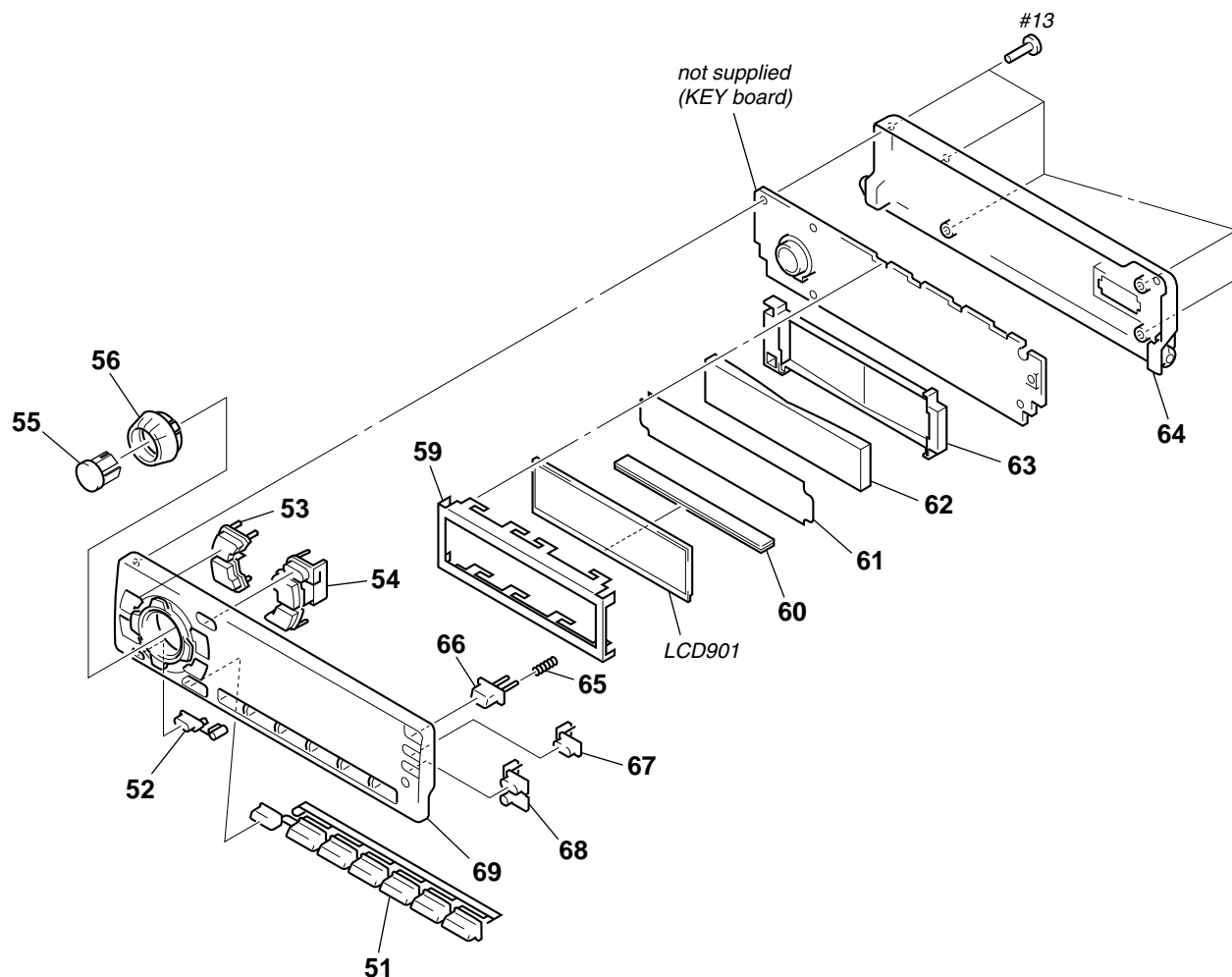
Pin No.	Pin Name	I/O	Description
78	ILLIN	I	Auto dimmer control illumination line detection signal input terminal “H” is input at dimmer detection Not used (fixed at “L”)
79	TELATT	I	Telephone detection signal input terminal At input of “H”, the signal is attenuated by -20 dB Used for the MDX-C6500R/C6500RX only (MDX-C6400R: fixed at “L”)
80	NCO	O	Not used (open)
81	<u>TEST IN</u>	I	Setting terminal for the test mode “L”: test mode, Normally: fixed at “H”
82	<u>ACC IN</u>	I	Accessory detection signal input terminal “L”: accessory on
83	NCO	O	Not used (open)
84	LOCKIN	I	Mini-disc lock detection signal input from the MD mechanism controller (IC501) “H”: lock
85	<u>RCIN1</u>	I	Rotary remote commander shift key input terminal “L”: shift
86	HSTX	I	Hardware standby input terminal “L”: hardware standby mode Reset signal input in this set
87	MD2	I	Setting terminal for the CPU operational mode (fixed at “L” in this set)
88	MD1	I	Setting terminal for the CPU operational mode (fixed at “H” in this set)
89	MD0	I	Setting terminal for the CPU operational mode (fixed at “H” in this set)
90	<u>RSTX</u>	I	System reset signal input from the reset signal generator (IC652) and reset switch (SW503) “L”: reset “L” is input for several 100 msec after power on, then it changes to “H”
91	VSS	—	Ground terminal
92	X0	I	Main system clock input terminal (3.68 MHz)
93	X1	O	Main system clock output terminal (3.68 MHz)
94	VCC	—	Power supply terminal (+5V)
95 to 97	NCO	O	Not used (open)
98	DIM SEL	I	Setting terminal for the dimmer “L”: dimmer in, “H”: no dimmer (fixed at “H” in this set)
99	TAP CD	I	Setting terminal for the internal mechanism tape or CD “L”: CD, “H”: tape (fixed at “L” in this set)
100, 101	NCO	O	Not used (open)
102	<u>AMTL IN</u>	I	Auto metal detection signal input terminal “L”: auto metal Not used (open)
103	AMS IN	I	Input terminal of whether a music is present or not is detected at auto music sensor “L”: music is present, “H”: music is not present Not used (open)
104	REEL	I	Rotation detect signal input terminal Not used (open)
105	POS0	I	Tape position (EJECT/FF/REW/REV/ FWD mode) detect input from the tape operation switch on the deck mechanism Not used this function (open)
106	POS1	I	
107	POS2	I	
108	POS3	I	
109	LM EJ	O	Loading motor control signal output terminal “H” active (For the eject direction and reverse side operation) Not used (open)
110	LM LD	O	Loading motor control signal output terminal “H” active (For the loading direction and forward side operation) Not used (open)
111	CM ON	O	Capstan/reel motor control signal output terminal “H”: motor on Not used (open)
112	TAPON	O	Tape system power supply on/off control signal output terminal “H”: tape on Not used (open)
113	N ROUT	O	Forward/reverse direction control signal output terminal “L”: forward direction, “H”: reverse direction Not used (open)
114	AMSON	O	Tape auto music sensor control signal output terminal “L” is output to lower the gain for audio level at FF/REW mode Not used (open)
115	MTLON	I/O	METAL control in/out terminal At initial mode: auto/manual mode selection input of METAL function (manual at “L” input) At manual mode: METAL on/off control signal output terminal (METAL on at “H” output) Not used this function (open)



Pin No.	Pin Name	I/O	Description
116	DOLON	I/O	Dolby control in/out terminal At initial mode: valid/invalid selection input of dolby function (valid at "L" input) At normal mode: dolby on/off control signal output terminal (dolby on at "H" output) Not used this function (open)
117	TAPATT	O	Audio signal select control signal output terminal Not used (open)
118	NCO	O	Not used (open)
119	VSS	—	Ground terminal
120	PW ON	O	Main system power supply on/off control signal output to the BA4908 (IC671) "H": power on

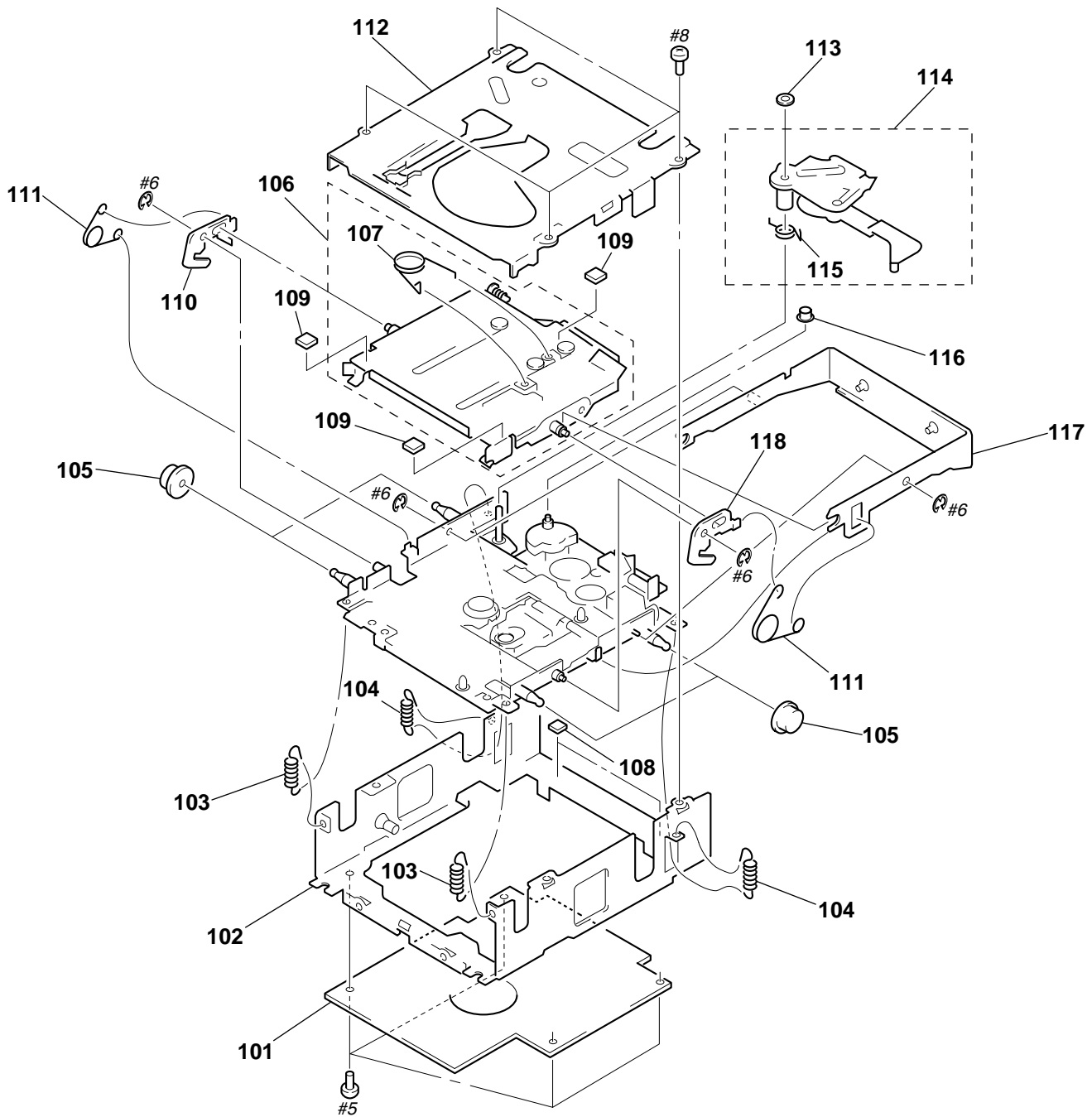


(2) FRONT PANEL SECTION



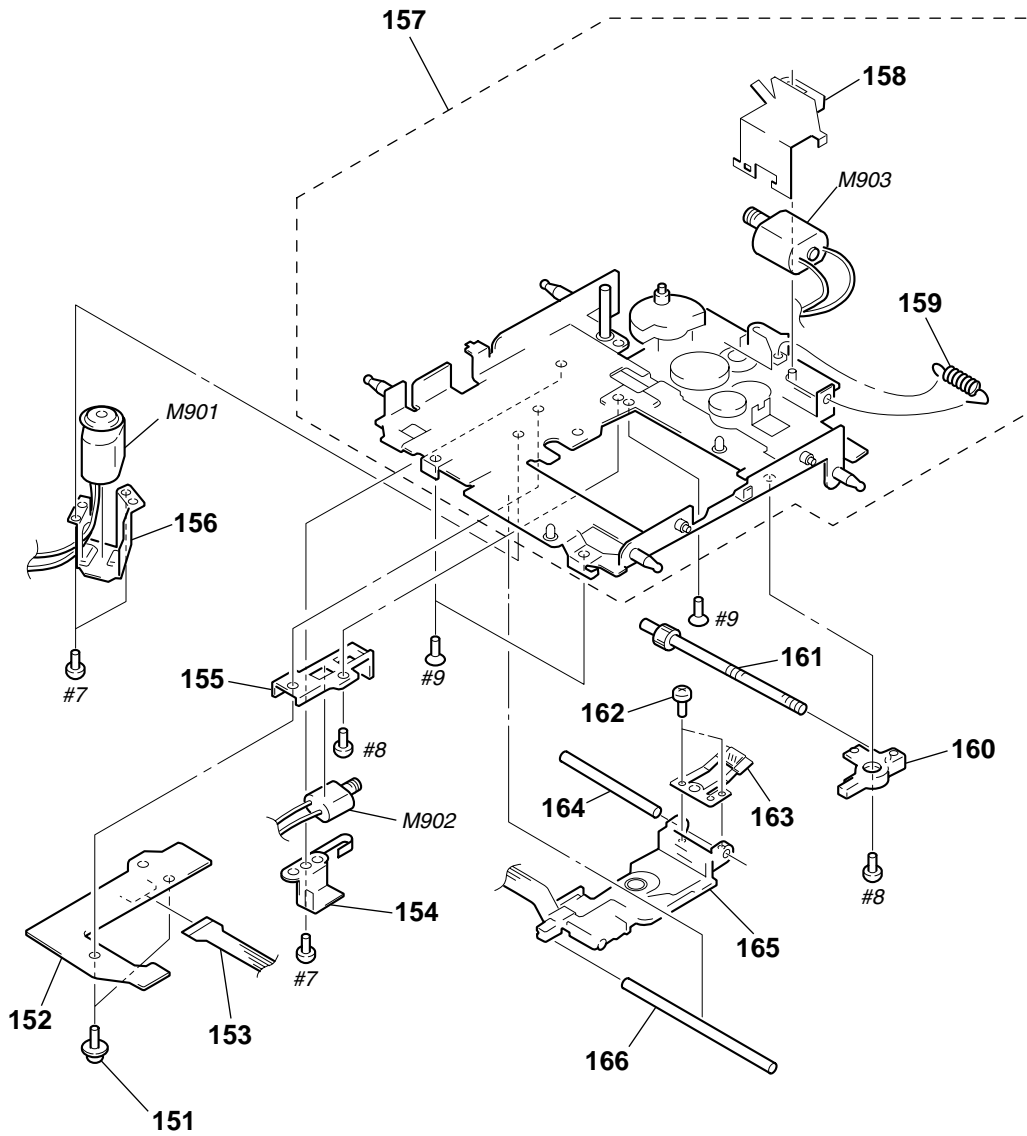
Ref. No.	Part No.	Description	Remark	Ref. No.	Part No.	Description	Remark
51	3-041-010-01	BUTTON (1-6/M) (MODE. 1. 2. 3. 4. 5. 6)		64	X-3378-398-1	PANEL ASSY, FRONT BACK	
52	3-040-987-01	BUTTON (OFF)		65	3-935-151-01	SPRING (OPEN)	
53	3-040-986-01	BUTTON (MENU/SOUND)		66	3-040-989-01	BUTTON (OPEN)	
54	3-041-003-01	BUTTON (LIST/ENTER) (DSPL. LIST. ENTER)		67	3-041-005-11	BUTTON (D) (D-BASS)	
55	3-040-980-01	BUTTON (SOURCE)		68	3-041-006-01	BUTTON (AF/TA)	
56	3-040-981-01	KNOB (VOL)		69	X-3378-685-1	FRONT PANEL (SV) ASSY (C6500R)	
* 59	3-040-997-01	PLATE (LCD), GROUND		69	X-3378-686-1	FRONT PANEL (SV) ASSY (C6400R)	
60	1-694-660-11	CONDUCTIVE BOARD, CONNECTION		69	X-3378-688-1	FRONT PANEL (SV) ASSY (C6500RX)	
* 61	3-041-371-01	SHEET (REFLECTOR)		LCD901	1-803-906-11	DISPLAY PANEL, LIQUID CRYSTAL	
* 62	3-040-993-01	PLATE (LCD), LIGHT GUIDE				(C6400R/C6500R)	
* 63	3-040-992-01	HOLDER (LCD)		LCD901	1-803-906-31	DISPLAY PANEL, LIQUID CRYSTAL (C6500RX)	

**(3) MECHANISM DECK SECTION-1  
(MG-164NZ-138)**



Ref. No.	Part No.	Description	Remark	Ref. No.	Part No.	Description	Remark
* 101	A-3326-036-A	SERVO BOARD, COMPLETE		* 110	3-032-712-01	LEVER (LOCK R)	
* 102	X-3376-799-1	CHASSIS ASSY, MD		111	3-919-281-01	SPRING (CHUCKING)	
103	3-032-714-02	SPRING (FLOAT F), TENSION		* 112	X-3376-800-1	COVER ASSY, MD	
104	3-921-111-01	SPRING (FLOAT B), TENSION		113	3-035-932-01	WASHER, STOPPER	
105	3-919-273-01	DAMPER, OIL		* 114	X-3376-797-3	LEVER (LE) ASSY	
* 106	X-3376-796-3	HOLDER ASSY		115	3-032-707-01	SPRING (LEVER LE)	
107	3-032-682-01	SPRING (HOLDER)		116	3-925-034-01	ROLLER (GEAR E)	
* 108	3-034-301-01	CUSHION (EJ2)		* 117	X-3376-798-1	ARM ASSY, CHUCKING	
* 109	3-034-302-01	CUSHION (EJ3)		* 118	3-032-711-01	LEVER (LOCK L)	

**(4) MECHANISM DECK SECTION-2  
(MG-164NZ-138)**



The components identified by mark  $\triangle$  or dotted line with mark  $\triangle$  are critical for safety. Replace only with part number specified.

Ref. No.	Part No.	Description	Remark	Ref. No.	Part No.	Description	Remark
151	2-626-617-01	SCREW (2X8)		161	X-3373-213-1	SCREW ASSY, FEED	
152	A-3326-034-A	SENSOR BOARD, COMPLETE		162	3-939-590-07	SCREW (IB LOCK)	
153	1-654-693-11	SENSOR FLEXIBLE BOARD		163	3-010-091-01	SPRING (SL FEED)	
154	3-919-283-01	BRACKET (SL)		164	3-919-293-01	SHAFT (OPT S), GUIDE	
* 155	3-032-704-01	BASE (SL)		$\triangle$ 165	8-583-065-03	OPTICAL PICK-UP KMS-241C/J1RP	
156	3-919-297-01	BRACKET (SP)		166	3-920-537-01	SHAFT (OPT L), GUIDE	
157	A-3301-750-A	CHASSIS (OP) ASSY		M901	A-3301-407-A	MOTOR ASSY, SP (SPINDLE)	
158	3-032-660-01	BRACKET (LO)		M902	A-3291-190-A	MOTOR ASSY, SL (SLED)	
159	3-032-669-01	SPRING (RACK), TENSION		M903	A-3291-191-A	MOTOR ASSY, LO (LOADING)	
* 160	3-032-705-01	BEARING (SL)					

## SECTION 6 ELECTRICAL PARTS LIST

**NOTE:**

- Due to standardization, replacements in the parts list may be different from the parts specified in the diagrams or the components used on the set.
- -XX and -X mean standardized parts, so they may have some difference from the original one.
- **RESISTORS**  
All resistors are in ohms.  
METAL: Metal-film resistor.  
METAL OXIDE: Metal oxide-film resistor.  
F: nonflammable

- Items marked “\*” are not stocked since they are seldom required for routine service. Some delay should be anticipated when ordering these items.
- **SEMICONDUCTORS**  
In each case, u:  $\mu$ , for example:  
uA. . :  $\mu$ A. .      uPA. . :  $\mu$ PA. .  
uPB. . :  $\mu$ PB. .    uPC. . :  $\mu$ PC. .  
uPD. . :  $\mu$ PD. .
- **CAPACITORS**  
uF:  $\mu$ F
- **COILS**  
uH:  $\mu$ H

The components identified by mark  $\Delta$  or dotted line with mark  $\Delta$  are critical for safety. Replace only with part number specified.

When indicating parts by reference number, please include the board.

Ref. No.	Part No.	Description	Remark	Ref. No.	Part No.	Description	Remark
		KEY BOARD *****		LED902	8-719-038-07	LED CL-190PG-CD-T (ILLUMINATION) (GREEN)	
	1-694-660-11	CONDUCTIVE BOARD, CONNECTION		LED902	8-719-061-16	LED CL-190SR-CD-T (ILLUMINATION) (RED)	
*	3-040-992-01	HOLDER (LCD)		LED903	8-719-038-03	LED CL-190Y-CD-T (ILLUMINATION) (AMBER)	
*	3-040-993-01	PLATE (LCD), LIGHT GUIDE		LED903	8-719-038-07	LED CL-190PG-CD-T (ILLUMINATION) (GREEN)	
*	3-040-997-01	PLATE (LCD), GROUND		LED903	8-719-061-16	LED CL-190SR-CD-T (ILLUMINATION) (RED)	
*	3-041-371-01	SHEET (REFLECTOR)		LED904	8-719-038-03	LED CL-190Y-CD-T (ILLUMINATION) (AMBER)	
		< CAPACITOR >		LED904	8-719-038-07	LED CL-190PG-CD-T (ILLUMINATION) (GREEN)	
C951	1-164-004-11	CERAMIC CHIP	0.1uF 10% 25V	LED904	8-719-061-16	LED CL-190SR-CD-T (ILLUMINATION) (RED)	
C952	1-163-037-11	CERAMIC CHIP	0.022uF 10% 25V	LED910	8-719-078-19	LED LWA673-R1S2*1 (LCD BACK LIGHT)	
C953	1-163-251-11	CERAMIC CHIP	100PF 5% 50V	LED911	8-719-078-19	LED LWA673-R1S2*1 (LCD BACK LIGHT)	
C954	1-164-004-11	CERAMIC CHIP	0.1uF 10% 25V	LED912	8-719-078-19	LED LWA673-R1S2*1 (LCD BACK LIGHT)	
C955	1-164-004-11	CERAMIC CHIP	0.1uF 10% 25V	LED913	8-719-078-19	LED LWA673-R1S2*1 (LCD BACK LIGHT)	
C956	1-164-489-11	CERAMIC CHIP	0.22uF 10% 16V	LED914	8-719-078-19	LED LWA673-R1S2*1 (LCD BACK LIGHT)	
		< CONNECTOR >		LED915	8-719-078-19	LED LWA673-R1S2*1 (LCD BACK LIGHT)	
CN901	1-794-065-21	PLUG, CONNECTOR 14P				< SWITCH >	
		< DIODE >		LSW901	1-771-609-11	SWITCH, TACTILE (WITH LED) (OFF) (GREEN)	
D901	8-719-158-49	DIODE UDZ-TE-17-12B		LSW901	1-771-882-21	SWITCH, TACTILE (WITH LED) (OFF) (AMBER)	
D902	8-719-056-82	DIODE UDZ-TE-17-6.2B		LSW901	1-771-883-21	SWITCH, TACTILE (WITH LED) (OFF) (RED)	
D903	8-719-056-82	DIODE UDZ-TE-17-6.2B		LSW902	1-762-617-21	SWITCH, KEY BOARD (WITH LED) (SOURCE) (AMBER)	
D904	8-719-056-82	DIODE UDZ-TE-17-6.2B		LSW902	1-762-619-21	SWITCH, KEY BOARD (WITH LED) (SOURCE) (GREEN)	
D951	8-719-976-99	DIODE UDZ-TE-17-5.1B		LSW902	1-771-476-11	SWITCH, KEY BOARD (WITH LED) (SOURCE) (RED)	
D952	8-719-976-99	DIODE UDZ-TE-17-5.1B		LSW903	1-762-617-21	SWITCH, KEY BOARD (WITH LED) (SOUND) (AMBER)	
		< IC >		LSW903	1-762-619-21	SWITCH, KEY BOARD (WITH LED) (SOUND) (GREEN)	
IC901	8-759-366-34	IC LC75824E		LSW903	1-771-476-11	SWITCH, KEY BOARD (WITH LED) (SOUND) (RED)	
IC951	8-749-012-25	IC RS-170-TU (REMOTE CONTROL RECEIVER)		LSW904	1-762-617-21	SWITCH, KEY BOARD (WITH LED) (MENU) (AMBER)	
		< LIQUID CRYSTAL DISPLAY >		LSW904	1-762-619-21	SWITCH, KEY BOARD (WITH LED) (MENU) (GREEN)	
LCD901	1-803-906-11	DISPLAY PANEL, LIQUID CRYSTAL (C6400R, C6500R)		LSW904	1-771-476-11	SWITCH, KEY BOARD (WITH LED) (MENU) (RED)	
LCD901	1-803-906-31	DISPLAY PANEL, LIQUID CRYSTAL (C6500RX)		LSW905	1-762-617-21	SWITCH, KEY BOARD (WITH LED) (PTY DSPL) (AMBER)	
		< LED >		LSW905	1-762-619-21	SWITCH, KEY BOARD (WITH LED) (PTY DSPL) (GREEN)	
LED901	8-719-038-03	LED CL-190Y-CD-T (ILLUMINATION) (AMBER)		LSW905	1-771-476-11	SWITCH, KEY BOARD (WITH LED) (PTY DSPL) (RED)	
LED901	8-719-038-07	LED CL-190PG-CD-T (ILLUMINATION) (GREEN)					
LED901	8-719-061-16	LED CL-190SR-CD-T (ILLUMINATION) (RED)					
LED902	8-719-038-03	LED CL-190Y-CD-T (ILLUMINATION) (AMBER)					

**KEY**

Ref. No.	Part No.	Description	Remark	Ref. No.	Part No.	Description	Remark
LSW906	1-762-617-21	SWITCH, KEY BOARD (WITH LED) (LIST)		R909	1-216-667-11	METAL CHIP	4.7K 0.5% 1/10W
		(AMBER)		R910	1-216-671-11	METAL CHIP	6.8K 0.5% 1/10W
LSW906	1-762-619-21	SWITCH, KEY BOARD (WITH LED) (LIST)		R911	1-208-806-11	RES, CHIP	10K 2% 1/10W
		(GREEN)		R912	1-216-647-11	METAL CHIP	680 0.5% 1/10W
LSW906	1-771-476-11	SWITCH, KEY BOARD (WITH LED) (LIST)		R913	1-216-647-11	METAL CHIP	680 0.5% 1/10W
		(RED)		R914	1-216-647-11	METAL CHIP	680 0.5% 1/10W
LSW907	1-762-617-21	SWITCH, KEY BOARD (WITH LED) (ENTER)		R915	1-216-651-11	METAL CHIP	1K 0.5% 1/10W
		(AMBER)		R916	1-216-655-11	METAL CHIP	1.5K 0.5% 1/10W
LSW907	1-762-619-21	SWITCH, KEY BOARD (WITH LED) (ENTER)		R917	1-216-655-11	METAL CHIP	1.5K 0.5% 1/10W
		(GREEN)		R918	1-216-659-11	METAL CHIP	2.2K 0.5% 1/10W
LSW907	1-771-476-11	SWITCH, KEY BOARD (WITH LED) (ENTER)		R919	1-216-663-11	METAL CHIP	3.3K 0.5% 1/10W
		(RED)		R920	1-216-667-11	METAL CHIP	4.7K 0.5% 1/10W
LSW908	1-771-609-11	SWITCH, TACTILE (WITH LED) (MODE)		R921	1-216-807-11	METAL CHIP	68 5% 1/16W
		(GREEN)					(GREEN)
LSW908	1-771-882-21	SWITCH, TACTILE (WITH LED) (MODE)		R921	1-216-810-11	METAL CHIP	120 5% 1/16W
		(AMBER)					(RED)
LSW908	1-771-883-21	SWITCH, TACTILE (WITH LED) (MODE) (RED)		R921	1-216-811-11	METAL CHIP	150 5% 1/16W
LSW909	1-762-737-11	SWITCH, KEY BOARD (WITH LED) (D-BASS)					(AMBER)
LSW910	1-762-617-21	SWITCH, KEY BOARD (WITH LED) (TA)		R923	1-216-807-11	METAL CHIP	68 5% 1/16W
		(AMBER)					(GREEN)
LSW910	1-762-619-21	SWITCH, KEY BOARD (WITH LED) (TA)		R923	1-216-811-11	METAL CHIP	150 5% 1/16W
		(GREEN)					(AMBER)
LSW910	1-771-476-11	SWITCH, KEY BOARD (WITH LED) (TA) (RED)		R923	1-216-812-11	METAL CHIP	180 5% 1/16W
LSW911	1-762-617-21	SWITCH, KEY BOARD (WITH LED) (AF)					(RED)
		(AMBER)		R925	1-216-021-00	METAL CHIP	68 5% 1/10W
LSW911	1-762-619-21	SWITCH, KEY BOARD (WITH LED) (AF)					(GREEN)
		(GREEN)		R925	1-216-029-00	METAL CHIP	150 5% 1/10W
							(AMBER)
LSW911	1-771-476-11	SWITCH, KEY BOARD (WITH LED) (AF) (RED)		R925	1-216-031-00	METAL CHIP	180 5% 1/10W
LSW912	1-771-609-11	SWITCH, TACTILE (WITH LED) (6) (GREEN)					(RED)
LSW912	1-771-882-21	SWITCH, TACTILE (WITH LED) (6) (AMBER)		R927	1-216-021-00	METAL CHIP	68 5% 1/10W
LSW912	1-771-883-21	SWITCH, TACTILE (WITH LED) (6) (RED)					(GREEN)
LSW913	1-771-609-11	SWITCH, TACTILE (WITH LED) (5) (GREEN)		R927	1-216-029-00	METAL CHIP	150 5% 1/10W
							(AMBER)
LSW913	1-771-882-21	SWITCH, TACTILE (WITH LED) (5) (AMBER)		R927	1-216-031-00	METAL CHIP	180 5% 1/10W
LSW913	1-771-883-21	SWITCH, TACTILE (WITH LED) (5) (RED)					(RED)
LSW914	1-771-609-11	SWITCH, TACTILE (WITH LED) (4) (GREEN)		R931	1-216-813-11	METAL CHIP	220 5% 1/16W
LSW914	1-771-882-21	SWITCH, TACTILE (WITH LED) (4) (AMBER)		R932	1-216-813-11	METAL CHIP	220 5% 1/16W
LSW914	1-771-883-21	SWITCH, TACTILE (WITH LED) (4) (RED)		R933	1-216-808-11	METAL CHIP	82 5% 1/16W
							(GREEN)
LSW915	1-771-609-11	SWITCH, TACTILE (WITH LED) (3) (GREEN)		R933	1-216-812-11	METAL CHIP	180 5% 1/16W
LSW915	1-771-882-21	SWITCH, TACTILE (WITH LED) (3) (AMBER)					(AMBER)
LSW915	1-771-883-21	SWITCH, TACTILE (WITH LED) (3) (RED)		R933	1-216-813-11	METAL CHIP	220 5% 1/16W
LSW916	1-771-609-11	SWITCH, TACTILE (WITH LED) (SHUF 2)					(RED)
		(GREEN)		R938	1-216-809-11	METAL CHIP	100 5% 1/16W
LSW916	1-771-882-21	SWITCH, TACTILE (WITH LED) (SHUF 2)		R939	1-216-821-11	METAL CHIP	1K 5% 1/16W
		(AMBER)					(C6500RX)
LSW916	1-771-883-21	SWITCH, TACTILE (WITH LED) (SHUF 2) (RED)		R951	1-216-819-11	METAL CHIP	680 5% 1/16W
LSW917	1-771-609-11	SWITCH, TACTILE (WITH LED) (REP 1)					
		(GREEN)		R952	1-216-021-00	METAL CHIP	68 5% 1/10W
LSW917	1-771-882-21	SWITCH, TACTILE (WITH LED) (REP 1)		R953	1-216-857-11	METAL CHIP	1M 5% 1/16W
		(AMBER)		R954	1-216-049-11	RES, CHIP	1K 5% 1/10W
LSW917	1-771-883-21	SWITCH, TACTILE (WITH LED) (REP 1) (RED)		R955	1-216-049-11	RES, CHIP	1K 5% 1/10W
				R956	1-216-821-11	METAL CHIP	1K 5% 1/16W
		< RESISTOR >		R957	1-216-851-11	METAL CHIP	330K 5% 1/16W
R901	1-216-647-11	METAL CHIP	680 0.5% 1/10W	R958	1-216-033-00	METAL CHIP	220 5% 1/10W
R902	1-216-647-11	METAL CHIP	680 0.5% 1/10W	R970	1-216-815-11	METAL CHIP	330 5% 1/16W
R903	1-216-647-11	METAL CHIP	680 0.5% 1/10W	R971	1-216-815-11	METAL CHIP	330 5% 1/16W
R904	1-216-651-11	METAL CHIP	1K 0.5% 1/10W	R972	1-216-864-11	METAL CHIP	0 5% 1/16W
R905	1-216-655-11	METAL CHIP	1.5K 0.5% 1/10W	R973	1-216-815-11	METAL CHIP	330 5% 1/16W
R906	1-216-655-11	METAL CHIP	1.5K 0.5% 1/10W	R975	1-216-815-11	METAL CHIP	330 5% 1/16W
R907	1-216-659-11	METAL CHIP	2.2K 0.5% 1/10W				
R908	1-216-663-11	METAL CHIP	3.3K 0.5% 1/10W				

**KEY**

**MAIN**

Ref. No.	Part No.	Description	Remark
R976	1-216-815-11	METAL CHIP	330 5% 1/16W
R977	1-216-815-11	METAL CHIP	330 5% 1/16W
R980	1-216-864-11	METAL CHIP	0 5% 1/16W
R999	1-216-864-11	METAL CHIP	0 5% 1/16W
< ROTARY ENCODER >			
RE901	1-475-014-12	ENCODER, ROTARY (VOLUME/BASS/TREBLE/ BALANCE/FADER CONTROL)	
< SWITCH >			
S901	1-771-884-21	SWITCH, TACTILE (WITH LED) (SEEK/AMS - ◀◀◀ ◀◀)	
S902	1-771-884-21	SWITCH, TACTILE (WITH LED) (DISC +, PRST +)	
S903	1-771-884-21	SWITCH, TACTILE (WITH LED) (SEEK/AMS + ▶▶▶ ▶▶)	
S904	1-771-884-21	SWITCH, TACTILE (WITH LED) (DISC -, PRST -)	
*****			
*	A-3294-867-A	MAIN BOARD, COMPLETE (C6400R)	
*	A-3294-868-A	MAIN BOARD, COMPLETE (C6500RX)	
*	A-3294-943-A	MAIN BOARD, COMPLETE (C6500R)	
*****			
*	3-040-996-11	HEAT SINK (2P) (C6400R)	
*	3-040-996-21	HEAT SINK (2P) (C6500R, C6500RX)	
*	3-040-998-01	BRACKET (IC)	
*	3-041-011-01	HEAT SINK (REG)	
	7-685-647-79	SCREW +BVTP 3X10 TYPE2 IT-3	
	7-685-793-09	SCREW +PTT 2.6X8 (S)	
	7-685-795-09	SCREW +PTT 2.6X12 (S)	
< CAPACITOR/SHORT >			
C1	1-163-233-11	CERAMIC CHIP	18PF 5% 50V
C3	1-124-584-00	ELECT	100uF 20% 10V
C4	1-164-004-11	CERAMIC CHIP	0.1uF 10% 25V
C6	1-164-004-11	CERAMIC CHIP	0.1uF 10% 25V
C7	1-124-589-11	ELECT	47uF 20% 16V
C13	1-163-017-00	CERAMIC CHIP	0.0047uF 5% 50V
C14	1-163-021-11	CERAMIC CHIP	0.01uF 10% 50V
C52	1-164-004-11	CERAMIC CHIP	0.1uF 10% 25V
C53	1-163-229-11	CERAMIC CHIP	12PF 5% 50V
C54	1-163-229-11	CERAMIC CHIP	12PF 5% 50V
C55	1-164-004-11	CERAMIC CHIP	0.1uF 10% 25V
C56	1-124-589-11	ELECT	47uF 20% 16V
C57	1-164-004-11	CERAMIC CHIP	0.1uF 10% 25V
C58	1-163-263-11	CERAMIC CHIP	330PF 5% 50V
C59	1-164-505-11	CERAMIC CHIP	2.2uF 16V
C60	1-163-135-00	CERAMIC CHIP	560PF 5% 50V
C61	1-164-161-11	CERAMIC CHIP	0.0022uF 10% 100V
C62	1-163-009-11	CERAMIC CHIP	0.001uF 10% 50V
C63	1-164-315-11	CERAMIC CHIP	470PF 5% 50V
C90	1-162-964-11	CERAMIC CHIP	0.001uF 10% 50V
C91	1-162-964-11	CERAMIC CHIP	0.001uF 10% 50V
C92	1-162-964-11	CERAMIC CHIP	0.001uF 10% 50V
C93	1-163-133-00	CERAMIC CHIP	470PF 5% 50V
C94	1-162-915-11	CERAMIC CHIP	10PF 0.5PF 50V
C95	1-107-823-11	CERAMIC CHIP	0.47uF 10% 16V

Ref. No.	Part No.	Description	Remark
C96	1-163-809-11	CERAMIC CHIP	0.047uF 10% 25V
C97	1-164-004-11	CERAMIC CHIP	0.1uF 10% 25V
C98	1-164-004-11	CERAMIC CHIP	0.1uF 10% 25V
C101	1-126-160-11	ELECT	1uF 20% 50V
C110	1-163-251-11	CERAMIC CHIP	100PF 5% 50V
C111	1-109-982-11	CERAMIC CHIP	1uF 10% 10V
C113	1-109-982-11	CERAMIC CHIP	1uF 10% 10V
C121	1-164-004-11	CERAMIC CHIP	0.1uF 10% 25V
C122	1-163-037-11	CERAMIC CHIP	0.022uF 10% 25V
C123	1-163-037-11	CERAMIC CHIP	0.022uF 10% 25V
C131	1-124-233-11	ELECT	10uF 20% 16V
C141	1-163-251-11	CERAMIC CHIP	100PF 5% 50V
C142	1-126-160-11	ELECT	1uF 20% 50V
C151	1-162-970-11	CERAMIC CHIP	0.01uF 10% 25V
C152	1-124-584-00	ELECT	100uF 20% 10V
C153	1-163-009-11	CERAMIC CHIP	0.001uF 10% 50V
C156	1-163-017-00	CERAMIC CHIP	0.0047uF 5% 50V
C157	1-107-823-11	CERAMIC CHIP	0.47uF 10% 16V
C159	1-162-970-11	CERAMIC CHIP	0.01uF 10% 25V
C161	1-124-233-11	ELECT	10uF 20% 16V
C162	1-164-489-11	CERAMIC CHIP	0.22uF 10% 16V
C171	1-126-163-11	ELECT	4.7uF 20% 50V
C172	1-163-251-11	CERAMIC CHIP	100PF 5% 50V
(C6500R, C6500RX)			
C173	1-164-489-11	CERAMIC CHIP	0.22uF 10% 16V
C174	1-162-919-11	CERAMIC CHIP	22PF 5% 50V
C181	1-126-163-11	ELECT	4.7uF 20% 50V
C182	1-163-251-11	CERAMIC CHIP	100PF 5% 50V
C183	1-164-489-11	CERAMIC CHIP	0.22uF 10% 16V
C184	1-162-919-11	CERAMIC CHIP	22PF 5% 50V
C191	1-216-295-00	SHORT	0
C192	1-216-295-00	SHORT	0
C193	1-216-295-00	SHORT	0
C201	1-126-160-11	ELECT	1uF 20% 50V
C210	1-163-251-11	CERAMIC CHIP	100PF 5% 50V
C241	1-163-251-11	CERAMIC CHIP	100PF 5% 50V
C242	1-126-160-11	ELECT	1uF 20% 50V
C271	1-126-163-11	ELECT	4.7uF 20% 50V
C272	1-163-251-11	CERAMIC CHIP	100PF 5% 50V
(C6500R, C6500RX)			
C273	1-164-489-11	CERAMIC CHIP	0.22uF 10% 16V
C274	1-163-235-11	CERAMIC CHIP	22PF 5% 50V
C281	1-126-163-11	ELECT	4.7uF 20% 50V
C282	1-163-251-11	CERAMIC CHIP	100PF 5% 50V
C283	1-164-489-11	CERAMIC CHIP	0.22uF 10% 16V
C284	1-162-919-11	CERAMIC CHIP	22PF 5% 50V
C361	1-164-004-11	CERAMIC CHIP	0.1uF 10% 25V
C362	1-126-157-11	ELECT	10uF 20% 16V
C363	1-164-004-11	CERAMIC CHIP	0.1uF 10% 25V
C364	1-126-157-11	ELECT	10uF 20% 16V
C368	1-109-982-11	CERAMIC CHIP	1uF 10% 10V
C369	1-163-021-11	CERAMIC CHIP	0.01uF 10% 50V
C370	1-163-021-11	CERAMIC CHIP	0.01uF 10% 50V
C371	1-163-021-11	CERAMIC CHIP	0.01uF 10% 50V
C372	1-163-021-11	CERAMIC CHIP	0.01uF 10% 50V
C373	1-163-021-11	CERAMIC CHIP	0.01uF 10% 50V
C374	1-124-584-00	ELECT	100uF 20% 10V
C375	1-124-584-00	ELECT	100uF 20% 10V



Ref. No.	Part No.	Description	Remark	Ref. No.	Part No.	Description	Remark
C502	1-164-004-11	CERAMIC CHIP	0.1uF 10% 25V			< DIODE >	
C503	1-164-004-11	CERAMIC CHIP	0.1uF 10% 25V				
C504	1-164-004-11	CERAMIC CHIP	0.1uF 10% 25V	D1	8-719-073-01	DIODE MA111-TX	
C505	1-164-004-11	CERAMIC CHIP	0.1uF 10% 25V	D2	8-719-067-56	DIODE MA112-TX	
				D90	8-719-073-01	DIODE MA111-TX	
C506	1-163-235-11	CERAMIC CHIP	22PF 5% 50V	D91	8-719-073-01	DIODE MA111-TX	
C507	1-163-235-11	CERAMIC CHIP	22PF 5% 50V	D92	8-719-976-99	DIODE UDZ-TE-17-5.1B	
C508	1-165-319-11	CERAMIC CHIP	0.1uF 2% 50V				
C509	1-163-021-11	CERAMIC CHIP	0.01uF 10% 50V	D131	8-719-422-12	DIODE UDZ-TE-17-3.9B	
C510	1-124-584-00	ELECT	100uF 20% 10V	D301	8-719-914-44	DIODE DAP202K-T-146	
				D302	8-719-073-01	DIODE MA111-TX	
C511	1-164-004-11	CERAMIC CHIP	0.1uF 10% 25V	D361	8-719-034-74	DIODE MA4120-M (TA)	
C512	1-163-133-00	CERAMIC CHIP	470PF 5% 50V	D362	8-719-158-15	DIODE UDZ-TE-17-5.6B	
C513	1-163-125-00	CERAMIC CHIP	220PF 5% 50V				
C551	1-164-222-11	CERAMIC CHIP	0.22uF 25V	D501	8-719-914-44	DIODE DAP202K-T-146	
C552	1-164-222-11	CERAMIC CHIP	0.22uF 25V	D502	8-719-073-01	DIODE MA111-TX	
				D551	8-719-158-49	DIODE UDZ-TE-17-12B	
C571	1-162-927-11	CERAMIC CHIP	100PF 5% 50V (C6500R, C6500RX)	D552	8-719-056-82	DIODE UDZ-TE-17-6.2B	
				D553	8-719-056-82	DIODE UDZ-TE-17-6.2B	
C601	1-135-473-21	ELECT	3300uF 20% 16V	D554	8-719-056-82	DIODE UDZ-TE-17-6.2B	
C602	1-163-251-11	CERAMIC CHIP	100PF 5% 50V	D555	8-719-056-82	DIODE UDZ-TE-17-6.2B	
C603	1-162-927-11	CERAMIC CHIP	100PF 5% 50V	D556	8-719-056-82	DIODE UDZ-TE-17-6.2B	
C611	1-126-160-11	ELECT	1uF 20% 50V	D557	8-719-056-82	DIODE UDZ-TE-17-6.2B	
				D558	8-719-056-82	DIODE UDZ-TE-17-6.2B	
C612	1-126-160-11	ELECT	1uF 20% 50V				
C614	1-126-157-11	ELECT	10uF 20% 16V	D559	8-719-056-82	DIODE UDZ-TE-17-6.2B	
C616	1-107-823-11	CERAMIC CHIP	0.47uF 10% 16V	D560	8-719-056-82	DIODE UDZ-TE-17-6.2B	
C617	1-136-165-00	MYLAR	0.1uF 5% 50V	D561	8-719-056-93	DIODE UDZ-TE-17-18B	
C621	1-124-589-11	ELECT	47uF 20% 16V	D562	8-719-056-82	DIODE UDZ-TE-17-6.2B	
C622	1-126-160-11	ELECT	1uF 20% 50V	D563	8-719-109-97	DIODE RD6.8ESB2	
				D564	8-719-109-97	DIODE RD6.8ESB2	
C623	1-109-982-11	CERAMIC CHIP	1uF 10% 10V	D571	8-719-073-01	DIODE MA111-TX (C6500R, C6500RX)	
C625	1-109-982-11	CERAMIC CHIP	1uF 10% 10V				
C631	1-164-222-11	CERAMIC CHIP	0.22uF 25V	D601	8-719-049-38	DIODE 1N5404TU	
C632	1-164-222-11	CERAMIC CHIP	0.22uF 25V	D602	8-719-056-93	DIODE UDZ-TE-17-18B	
C641	1-162-964-11	CERAMIC CHIP	0.001uF 10% 50V	D603	8-719-056-93	DIODE UDZ-TE-17-18B	
C653	1-163-021-11	CERAMIC CHIP	0.01uF 10% 50V	D604	8-719-056-82	DIODE UDZ-TE-17-6.2B	
				D605	8-719-056-93	DIODE UDZ-TE-17-18B (C6500R, C6500RX)	
C654	1-125-710-11	DOUBLE LAYER	0.1F 5.5V				
C655	1-124-584-00	ELECT	100uF 20% 10V	D611	8-719-079-55	DIODE PTZ-TE25-22	
C661	1-109-982-11	CERAMIC CHIP	1uF 10% 10V	D612	8-719-079-55	DIODE PTZ-TE25-22	
C671	1-126-157-11	ELECT	10uF 20% 16V	D613	8-719-079-55	DIODE PTZ-TE25-22	
C672	1-126-157-11	ELECT	10uF 20% 16V	D614	8-719-079-55	DIODE PTZ-TE25-22	
				D615	8-719-079-55	DIODE PTZ-TE25-22	
C673	1-126-157-11	ELECT	10uF 20% 16V	D616	8-719-079-55	DIODE PTZ-TE25-22	
C674	1-124-233-11	ELECT	10uF 20% 16V	D617	8-719-079-55	DIODE PTZ-TE25-22	
C675	1-124-233-11	ELECT	10uF 20% 16V	D618	8-719-079-55	DIODE PTZ-TE25-22	
C676	1-126-157-11	ELECT	10uF 20% 16V	D621	8-719-422-12	DIODE UDZ-TE-17-3.9B	
C682	1-163-021-11	CERAMIC CHIP	0.01uF 10% 50V	D622	8-719-073-01	DIODE MA111-TX	
				D623	8-719-158-15	DIODE UDZ-TE-17-5.6B	
C701	1-162-970-11	CERAMIC CHIP	0.01uF 10% 25V				
C702	1-164-004-11	CERAMIC CHIP	0.1uF 10% 25V	D624	8-719-158-15	DIODE UDZ-TE-17-5.6B	
C703	1-164-227-11	CERAMIC CHIP	0.022uF 10% 25V	D631	8-719-423-26	DIODE MA8110-H	
C704	1-165-319-11	CERAMIC CHIP	0.1uF 50V	D653	8-719-073-01	DIODE MA111-TX	
C705	1-126-935-11	ELECT	470uF 20% 16V	D661	8-719-073-01	DIODE MA111-TX	
				D662	8-719-420-14	DIODE MA8082-M (TX)	
		< CONNECTOR >					
CN301	1-764-617-12	PIN, CONNECTOR (PC BOARD) 30P		D671	8-719-053-18	DIODE 1SR154-400TE-25	
CN500	1-784-456-11	CONNECTOR, FFC/FPC 14P		D672	8-719-053-18	DIODE 1SR154-400TE-25	
CN601	1-774-701-11	PIN, CONNECTOR 16P		D673	8-719-053-18	DIODE 1SR154-400TE-25	
CN701	1-580-907-31	PLUG, CONNECTOR (BUS CONTROL IN)		D674	8-719-053-18	DIODE 1SR154-400TE-25	
				D675	8-719-067-56	DIODE MA112-TX	
		< JACK >					
CNJ151	1-774-699-12	JACK, PIN 4P (BUS AUDIO IN, AUDIO OUT) (C6400R)		D676	8-719-073-01	DIODE MA111-TX	
CNJ151	1-774-700-11	JACK, PIN 6P (BUS AUDIO IN, AUDIO OUT REAR/FRONT) (C6500R, C6500RX)		D677	8-719-073-01	DIODE MA111-TX	
				D701	8-719-978-69	DIODE UDZ-TE-17-16B	
				D702	8-719-017-62	DIODE MA8068-L-TX	

# MAIN

Ref. No.	Part No.	Description	Remark	Ref. No.	Part No.	Description	Remark
D703	8-719-056-82	DIODE UDZ-TE-17-6.2B		Q121	8-729-920-21	TRANSISTOR DTC314TK-T-146	
D704	8-719-056-93	DIODE UDZ-TE-17-18B		Q131	8-729-921-25	TRANSISTOR FMC2-T148	
D705	8-719-056-93	DIODE UDZ-TE-17-18B		Q171	8-729-920-21	TRANSISTOR DTC314TK-T-146	
D706	8-719-072-70	DIODE MA2ZD14001S0		Q181	8-729-920-21	TRANSISTOR DTC314TK-T-146	
D708	8-719-073-01	DIODE MA111-TX		Q250	8-729-921-25	TRANSISTOR FMC2-T148	
D709	8-719-073-01	DIODE MA111-TX		Q271	8-729-920-21	TRANSISTOR DTC314TK-T-146	
D710	8-719-073-01	DIODE MA111-TX		Q281	8-729-920-21	TRANSISTOR DTC314TK-T-146	
		< COIL >		Q361	8-729-019-00	TRANSISTOR 2SD2394-G	
FB362	1-414-233-22	INDUCTOR CHIP 0uH		Q362	8-729-019-00	TRANSISTOR 2SD2394-G	
FB501	1-414-233-22	INDUCTOR CHIP 0uH		Q363	8-729-921-25	TRANSISTOR FMC2-T148	
		< FUSE >		Q551	8-729-921-25	TRANSISTOR FMC2-T148	
FU601	1-532-877-11	FUSE (BLADE TYPE) (AUTO FUSE) 10A		Q571	8-729-120-28	TRANSISTOR 2SC2412K-T-146-QR (C6500R, C6500RX)	
		< IC >		Q621	8-729-027-23	TRANSISTOR DTA114EKA-T146	
IC51	8-759-650-68	IC SAA6588T/V2-118		Q622	8-729-021-94	FET 2SK1657-T1B	
IC90	8-759-909-71	IC BA4558F-E2		Q631	8-729-423-99	TRANSISTOR 2SD2137-OP-TA	
IC151	8-759-653-27	IC TDA7402TR		Q633	8-729-921-25	TRANSISTOR FMC2-T148	
IC501	8-759-663-56	IC MB90574PMT-G-266-BND		Q651	8-729-027-23	TRANSISTOR DTA114EKA-T146	
IC611	8-759-663-88	IC TA8268H		Q652	8-729-027-23	TRANSISTOR DTA114EKA-T146	
IC652	8-759-574-61	IC XC61AN4302MR		Q661	8-729-120-28	TRANSISTOR 2SC2412K-T-146-QR	
IC671	8-759-661-47	IC BA4908-V3		Q701	8-729-900-53	TRANSISTOR DTC114EKA-T146	
IC701	8-759-449-89	IC BA8270F-E2		Q704	8-729-027-23	TRANSISTOR DTA114EKA-T146	
		< JACK >		Q705	8-729-027-23	TRANSISTOR DTA114EKA-T146	
J1	1-764-808-21	JACK (ANT) (FM/AM ANTENNA)		Q706	8-729-120-28	TRANSISTOR 2SC2412K-T-146-QR	
J501	1-566-822-41	JACK (REMOTE IN)				< RESISTOR >	
		< RESISTOR >		R1	1-216-295-00	SHORT 0	
JC1	1-216-296-00	SHORT 0		R4	1-216-025-00	RES, CHIP 100 5% 1/10W	
JC2	1-216-296-00	SHORT 0		R5	1-216-025-00	RES, CHIP 100 5% 1/10W	
JC4	1-216-296-00	SHORT 0		R6	1-216-025-00	RES, CHIP 100 5% 1/10W	
JC5	1-216-296-00	SHORT 0		R7	1-216-025-00	RES, CHIP 100 5% 1/10W	
JC16	1-216-295-00	SHORT 0		R8	1-216-295-00	SHORT 0	
JC31	1-216-295-00	SHORT 0		R9	1-216-041-00	METAL CHIP 470 5% 1/10W	
JC50	1-216-295-00	SHORT 0		R12	1-216-837-11	METAL CHIP 22K 5% 1/16W	
JC54	1-216-295-00	SHORT 0		R20	1-216-057-00	METAL CHIP 2.2K 5% 1/10W	
JC90	1-216-295-00	SHORT 0		R53	1-216-853-11	METAL CHIP 470K 5% 1/16W	
JC191	1-216-295-00	SHORT 0		R54	1-216-821-11	METAL CHIP 1K 5% 1/16W	
JC192	1-216-295-00	SHORT 0		R55	1-216-061-00	METAL CHIP 3.3K 5% 1/10W	
JC193	1-216-295-00	SHORT 0		R56	1-216-817-11	METAL CHIP 470 5% 1/16W	
JC194	1-216-295-00	SHORT 0		R57	1-216-809-11	METAL CHIP 100 5% 1/16W	
JC301	1-216-864-11	METAL CHIP 0 5% 1/16W		R58	1-216-025-00	RES, CHIP 100 5% 1/10W	
JC601	1-216-864-11	METAL CHIP 0 5% 1/16W		R59	1-216-001-00	METAL CHIP 10 5% 1/10W	
JC671	1-216-295-00	SHORT 0		R60	1-216-797-11	METAL CHIP 10 5% 1/16W	
JC673	1-216-864-11	METAL CHIP 0 5% 1/16W		R90	1-216-825-11	METAL CHIP 2.2K 5% 1/16W	
		< COIL >		R91	1-216-825-11	METAL CHIP 2.2K 5% 1/16W	
L601	1-419-476-21	COIL, CHOKE (2000) 250uH		R92	1-216-025-00	RES, CHIP 100 5% 1/10W	
L671	1-410-989-11	INDUCTOR CHIP 0.47uH		R93	1-216-845-11	METAL CHIP 100K 5% 1/16W	
		< TRANSISTOR >		R94	1-216-829-11	METAL CHIP 4.7K 5% 1/16W	
Q1	8-729-120-28	TRANSISTOR 2SC2412K-T-146-QR		R95	1-216-121-00	RES, CHIP 1M 5% 1/10W	
Q90	8-729-900-53	TRANSISTOR DTC114EKA-T146		R96	1-216-025-00	RES, CHIP 100 5% 1/10W	
Q111	8-729-920-21	TRANSISTOR DTC314TK-T-146		R97	1-216-833-11	RES, CHIP 10K 5% 1/16W	
				R98	1-216-833-11	RES, CHIP 10K 5% 1/16W	
				R108	1-216-295-00	SHORT 0	
				R111	1-216-864-11	METAL CHIP 0 5% 1/16W	
				R112	1-216-841-11	METAL CHIP 47K 5% 1/16W	
				R121	1-216-049-11	RES, CHIP 1K 5% 1/10W	
				R122	1-216-085-00	METAL CHIP 33K 5% 1/10W	

Ref. No.	Part No.	Description	Remark	Ref. No.	Part No.	Description	Remark
R131	1-216-037-00	METAL CHIP	330 5% 1/10W	R551	1-249-413-11	CARBON	470 5% 1/4W (C6500RX)
R132	1-216-045-00	METAL CHIP	680 5% 1/10W	R552	1-216-025-00	RES, CHIP	100 5% 1/10W
R141	1-216-025-00	RES, CHIP	100 5% 1/10W	R553	1-216-025-00	RES, CHIP	100 5% 1/10W
R142	1-216-073-00	METAL CHIP	10K 5% 1/10W	R554	1-216-025-00	RES, CHIP	100 5% 1/10W
R152	1-216-841-11	METAL CHIP	47K 5% 1/16W	R555	1-216-025-00	RES, CHIP	100 5% 1/10W
R153	1-216-025-00	RES, CHIP	100 5% 1/10W	R556	1-216-025-00	RES, CHIP	100 5% 1/10W
R154	1-216-025-00	RES, CHIP	100 5% 1/10W	R557	1-216-025-00	RES, CHIP	100 5% 1/10W
R156	1-216-809-11	METAL CHIP	100 5% 1/16W	R558	1-216-025-00	RES, CHIP	100 5% 1/10W
R171	1-216-033-00	METAL CHIP	220 5% 1/10W	R559	1-216-025-00	RES, CHIP	100 5% 1/10W
R172	1-216-081-00	METAL CHIP	22K 5% 1/10W	R560	1-216-025-00	RES, CHIP	100 5% 1/10W
R173	1-216-089-00	RES, CHIP	47K 5% 1/10W	R561	1-208-806-11	RES, CHIP	10K 0.5% 1/10W
R181	1-216-033-00	METAL CHIP	220 5% 1/10W	R562	1-208-806-11	RES, CHIP	10K 0.5% 1/10W
R182	1-216-081-00	METAL CHIP	22K 5% 1/10W	R563	1-216-845-11	METAL CHIP	100K 5% 1/16W
R183	1-216-089-00	RES, CHIP	47K 5% 1/10W	R564	1-216-845-11	METAL CHIP	100K 5% 1/16W
R208	1-216-295-00	SHORT	0	R565	1-216-025-00	RES, CHIP	100 5% 1/10W
R241	1-216-025-00	RES, CHIP	100 5% 1/10W	R567	1-249-411-11	CARBON	330 5% 1/4W
R242	1-216-073-00	METAL CHIP	10K 5% 1/10W	R571	1-216-845-11	METAL CHIP	100K 5% 1/16W (C6400R)
R271	1-216-033-00	METAL CHIP	220 5% 1/10W	R572	1-216-809-11	METAL CHIP	100 5% 1/16W
R272	1-216-081-00	METAL CHIP	22K 5% 1/10W	R573	1-216-809-11	METAL CHIP	100 5% 1/16W
R273	1-216-089-00	RES, CHIP	47K 5% 1/10W	R600	1-216-097-00	RES, CHIP	100K 5% 1/10W
R281	1-216-033-00	METAL CHIP	220 5% 1/10W	R601	1-216-073-00	METAL CHIP	10K 5% 1/10W
R282	1-216-081-00	METAL CHIP	22K 5% 1/10W	R603	1-216-073-00	METAL CHIP	10K 5% 1/10W
R283	1-216-089-00	RES, CHIP	47K 5% 1/10W	R611	1-216-833-11	RES, CHIP	10K 5% 1/16W
R361	1-216-041-00	METAL CHIP	470 5% 1/10W	R612	1-216-073-00	METAL CHIP	10K 5% 1/10W
R362	1-216-041-00	METAL CHIP	470 5% 1/10W	R621	1-216-805-11	METAL CHIP	47 5% 1/16W
R363	1-216-041-00	METAL CHIP	470 5% 1/10W	R622	1-216-864-11	METAL CHIP	0 5% 1/16W
R364	1-216-041-00	METAL CHIP	470 5% 1/10W	R624	1-216-295-00	SHORT	0
R504	1-216-057-00	METAL CHIP	2.2K 5% 1/10W	R626	1-216-861-11	METAL CHIP	2.2M 5% 1/16W
R505	1-216-057-00	METAL CHIP	2.2K 5% 1/10W	R631	1-249-385-11	CARBON	2.2 5% 1/6W
R506	1-216-057-00	METAL CHIP	2.2K 5% 1/10W	R632	1-249-385-11	CARBON	2.2 5% 1/6W
R507	1-216-073-00	METAL CHIP	10K 5% 1/10W	R636	1-216-037-00	METAL CHIP	330 5% 1/10W
R509	1-216-097-00	RES, CHIP	100K 5% 1/10W	R641	1-216-849-11	METAL CHIP	220K 5% 1/16W
R520	1-216-097-00	RES, CHIP	100K 5% 1/10W	R642	1-216-853-11	METAL CHIP	470K 5% 1/16W
R522	1-216-097-00	RES, CHIP	100K 5% 1/10W	R651	1-216-113-00	METAL CHIP	470K 5% 1/10W
R523	1-216-845-11	METAL CHIP	100K 5% 1/16W	R652	1-216-845-11	METAL CHIP	100K 5% 1/16W
R524	1-216-073-00	METAL CHIP	10K 5% 1/10W	R653	1-208-806-11	RES, CHIP	10K 0.5% 1/10W
R525	1-216-073-00	METAL CHIP	10K 5% 1/10W	R654	1-216-833-11	RES, CHIP	10K 5% 1/16W
R526	1-216-097-00	RES, CHIP	100K 5% 1/10W	R655	1-216-809-11	METAL CHIP	100 5% 1/16W
R529	1-216-049-11	RES, CHIP	1K 5% 1/10W	R656	1-216-809-11	METAL CHIP	100 5% 1/16W
R531	1-216-839-11	METAL CHIP	33K 5% 1/16W (C6500R, C6500RX)	R661	1-249-421-11	CARBON	2.2K 5% 1/4W
R532	1-216-833-11	RES, CHIP	10K 5% 1/16W (C6500R, C6500RX)	R662	1-216-081-00	METAL CHIP	22K 5% 1/10W
R533	1-216-833-11	RES, CHIP	10K 5% 1/16W (C6500R, C6500RX)	R663	1-216-841-11	METAL CHIP	47K 5% 1/16W
R534	1-216-097-00	RES, CHIP	100K 5% 1/10W (C6500R, C6500RX)	R664	1-216-841-11	METAL CHIP	47K 5% 1/16W
R535	1-216-845-11	METAL CHIP	100K 5% 1/16W	R682	1-216-089-00	RES, CHIP	47K 5% 1/10W
R537	1-216-097-00	RES, CHIP	100K 5% 1/10W	R701	1-216-805-11	METAL CHIP	47 5% 1/16W
R538	1-216-097-00	RES, CHIP	100K 5% 1/10W	R702	1-216-073-00	METAL CHIP	10K 5% 1/10W
R539	1-216-097-00	RES, CHIP	100K 5% 1/10W	R703	1-216-025-00	RES, CHIP	100 5% 1/10W
R540	1-216-097-00	RES, CHIP	100K 5% 1/10W	R704	1-216-809-11	METAL CHIP	100 5% 1/16W
R542	1-216-089-00	RES, CHIP	47K 5% 1/10W	R707	1-216-065-00	RES, CHIP	4.7K 5% 1/10W
R545	1-216-097-00	RES, CHIP	100K 5% 1/10W	R713	1-216-841-11	METAL CHIP	47K 5% 1/16W
R546	1-216-097-00	RES, CHIP	100K 5% 1/10W	R714	1-216-841-11	METAL CHIP	47K 5% 1/16W
R547	1-216-097-00	RES, CHIP	100K 5% 1/10W	R715	1-216-845-11	METAL CHIP	100K 5% 1/16W
R551	1-249-409-11	CARBON	220 5% 1/4W (C6400R, C6500R)	R716	1-216-809-11	METAL CHIP	100 5% 1/16W

**MAIN**      **SENSOR**      **SERVO**

Ref. No.	Part No.	Description	Remark
		< SWITCH >	
SW503	1-692-431-21	SWITCH, TACTILE (RESET)	
SW504	1-771-540-11	SWITCH, PUSH (1KEY) (NOSE DETECT)	
		< THERMISTOR >	
TH701	1-803-350-21	THERMISTOR, POSITIVE	
		< TUNER >	
TU1	A-3220-812-A	TUNER UNIT (TUX-020)	
		< VIBRATOR >	
X51	1-579-242-41	VIBRATOR, CRYSTAL (4.332MHz)	
X501	1-767-833-21	VIBRATOR, CERAMIC (3.68MHz)	
X502	1-567-098-41	VIBRATOR, CRYSTAL (32.768kHz)	
*****			
	A-3326-034-A	SENSOR BOARD, COMPLETE	
*****			
For the parts on the SENSOR board, replace the entire mounted board.			
*****			
*	A-3326-036-A	SERVO BOARD, COMPLETE	
*****			
		< CAPACITOR >	
C11	1-162-964-11	CERAMIC CHIP 0.001uF 10%	50V
C101	1-104-543-11	FILM CHIP 0.0022uF 5%	50V
C102	1-135-259-11	TANTALUM CHIP 10uF 20%	6.3V
C103	1-162-970-11	CERAMIC CHIP 0.01uF 10%	25V
C104	1-107-826-11	CERAMIC CHIP 0.1uF 10%	16V
C105	1-107-826-11	CERAMIC CHIP 0.1uF 10%	16V
C106	1-135-181-21	TANTALUM CHIP 4.7uF 20%	6.3V
C107	1-162-970-11	CERAMIC CHIP 0.01uF 10%	25V
C108	1-162-970-11	CERAMIC CHIP 0.01uF 10%	25V
C109	1-135-181-21	TANTALUM CHIP 4.7uF 20%	6.3V
C201	1-104-543-11	FILM CHIP 0.0022uF 5%	50V
C202	1-135-259-11	TANTALUM CHIP 10uF 20%	6.3V
C301	1-107-826-11	CERAMIC CHIP 0.1uF 10%	16V
C302	1-107-826-11	CERAMIC CHIP 0.1uF 10%	16V
C304	1-162-927-11	CERAMIC CHIP 100PF 5%	50V
C305	1-162-970-11	CERAMIC CHIP 0.01uF 10%	25V
C306	1-107-823-11	CERAMIC CHIP 0.47uF 10%	16V
C307	1-107-826-11	CERAMIC CHIP 0.1uF 10%	16V
C308	1-162-927-11	CERAMIC CHIP 100PF 5%	50V
C309	1-162-968-11	CERAMIC CHIP 0.0047uF 10%	50V
C310	1-107-823-11	CERAMIC CHIP 0.47uF 10%	16V
C311	1-164-245-11	CERAMIC CHIP 0.015uF 10%	25V
C314	1-107-826-11	CERAMIC CHIP 0.1uF 10%	16V
C315	1-109-982-11	CERAMIC CHIP 1uF 10%	10V
C316	1-107-826-11	CERAMIC CHIP 0.1uF 10%	16V
C317	1-107-826-11	CERAMIC CHIP 0.1uF 10%	16V
C318	1-104-852-11	TANTALUM CHIP 22uF 20%	6.3V
C319	1-104-852-11	TANTALUM CHIP 22uF 20%	6.3V
C320	1-164-227-11	CERAMIC CHIP 0.022uF 10%	25V
C321	1-162-969-11	CERAMIC CHIP 0.0068uF 10%	25V
C322	1-162-964-11	CERAMIC CHIP 0.001uF 10%	50V
C324	1-107-826-11	CERAMIC CHIP 0.1uF 10%	16V

Ref. No.	Part No.	Description	Remark
C325	1-110-563-11	CERAMIC CHIP 0.068uF 10%	16V
C326	1-162-968-11	CERAMIC CHIP 0.0047uF 10%	50V
C327	1-109-982-11	CERAMIC CHIP 1uF 10%	10V
C328	1-162-966-11	CERAMIC CHIP 0.0022uF 10%	50V
C329	1-164-227-11	CERAMIC CHIP 0.022uF 10%	25V
C330	1-162-970-11	CERAMIC CHIP 0.01uF 10%	25V
C331	1-107-826-11	CERAMIC CHIP 0.1uF 10%	16V
C333	1-107-826-11	CERAMIC CHIP 0.1uF 10%	16V
C334	1-164-004-11	CERAMIC CHIP 0.1uF 10%	25V
C335	1-164-004-11	CERAMIC CHIP 0.1uF 10%	25V
C336	1-162-970-11	CERAMIC CHIP 0.01uF 10%	25V
C337	1-164-004-11	CERAMIC CHIP 0.1uF 10%	25V
C338	1-164-004-11	CERAMIC CHIP 0.1uF 10%	25V
C339	1-162-970-11	CERAMIC CHIP 0.01uF 10%	25V
C340	1-162-918-11	CERAMIC CHIP 18PF 5%	50V
C341	1-162-918-11	CERAMIC CHIP 18PF 5%	50V
C342	1-162-970-11	CERAMIC CHIP 0.01uF 10%	25V
C343	1-162-970-11	CERAMIC CHIP 0.01uF 10%	25V
C344	1-104-852-11	TANTALUM CHIP 22uF 20%	10V
C345	1-162-970-11	CERAMIC CHIP 0.01uF 10%	25V
C346	1-104-852-11	TANTALUM CHIP 22uF 20%	6.3V
C347	1-162-970-11	CERAMIC CHIP 0.01uF 10%	25V
C348	1-107-826-11	CERAMIC CHIP 0.1uF 10%	16V
C349	1-107-826-11	CERAMIC CHIP 0.1uF 10%	16V
C350	1-107-826-11	CERAMIC CHIP 0.1uF 10%	16V
C351	1-104-852-11	TANTALUM CHIP 22uF 20%	10V
C352	1-107-826-11	CERAMIC CHIP 0.1uF 10%	16V
C353	1-107-826-11	CERAMIC CHIP 0.1uF 10%	16V
C356	1-162-927-11	CERAMIC CHIP 100PF 5%	50V
C357	1-162-927-11	CERAMIC CHIP 100PF 5%	50V
C358	1-162-927-11	CERAMIC CHIP 100PF 5%	50V
C359	1-162-923-11	CERAMIC CHIP 47PF 5%	50V
C361	1-135-259-11	TANTALUM CHIP 10uF 20%	6.3V
C362	1-107-826-11	CERAMIC CHIP 0.1uF 10%	16V
C402	1-162-970-11	CERAMIC CHIP 0.01uF 10%	25V
C403	1-107-826-11	CERAMIC CHIP 0.1uF 10%	16V
C501	1-162-927-11	CERAMIC CHIP 100PF 5%	50V
C503	1-107-826-11	CERAMIC CHIP 0.1uF 10%	16V
C504	1-107-826-11	CERAMIC CHIP 0.1uF 10%	16V
C505	1-107-826-11	CERAMIC CHIP 0.1uF 10%	16V
C506	1-104-852-11	TANTALUM CHIP 22uF 20%	10V
C510	1-115-467-11	CERAMIC CHIP 0.22uF 10%	10V
C511	1-107-826-11	CERAMIC CHIP 0.1uF 10%	16V
C512	1-107-826-11	CERAMIC CHIP 0.1uF 10%	16V
C513	1-107-826-11	CERAMIC CHIP 0.1uF 10%	16V
C514	1-115-467-11	CERAMIC CHIP 0.22uF 10%	10V
C515	1-107-826-11	CERAMIC CHIP 0.1uF 10%	16V
C516	1-107-826-11	CERAMIC CHIP 0.1uF 10%	16V
		< CONNECTOR >	
CN101	1-764-616-12	HOUSING, CONNECTOR (PC BOARD) 30P	
CN102	1-573-929-21	CONNECTOR, FFC/FPC (ZIF) 20P	
CN103	1-764-439-21	CONNECTOR, FPC 11P	
		< DIODE >	
D401	8-719-157-93	DIODE DTZ-TT11-3.0B	
D501	8-719-988-61	DIODE 1SS355TE-17	

Ref. No.	Part No.	Description	Remark	Ref. No.	Part No.	Description	Remark
< FERRITE BEAD >				R324	1-216-827-11	METAL CHIP	3.3K 5% 1/16W
FB301	1-414-235-22	FERRITE BEAD INDUCTOR CHIP	0uH	R325	1-216-821-11	METAL CHIP	1K 5% 1/16W
FB302	1-414-760-21	FERRITE BEAD INDUCTOR CHIP	0uH	R327	1-216-821-11	METAL CHIP	1K 5% 1/16W
< IC >				R328	1-216-811-11	METAL CHIP	150 5% 1/16W
IC101	8-759-571-84	IC PCM1718E/2K		R329	1-216-819-11	METAL CHIP	680 5% 1/16W
IC301	8-752-384-47	IC CXD2652AR		R330	1-216-853-11	METAL CHIP	470K 5% 1/16W
IC302	8-752-080-95	IC CXA2523AR		R331	1-216-809-11	METAL CHIP	100 5% 1/16W
IC303	8-759-430-25	IC BH6511FS-E2		R332	1-216-809-11	METAL CHIP	100 5% 1/16W
IC304	8-759-096-87	IC TC7WU04FU (TE12R)		R333	1-216-819-11	METAL CHIP	680 5% 1/16W
IC305	8-759-040-83	IC BA6287F		R334	1-216-809-11	METAL CHIP	100 5% 1/16W
IC306	8-759-058-62	IC TC7S08FU (TE85R)		R335	1-216-815-11	METAL CHIP	330 5% 1/16W
IC307	8-759-368-16	IC MN41V4400TT-08S		R336	1-216-853-11	METAL CHIP	470K 5% 1/16W
IC401	8-759-909-71	IC BA4558F-E2		R337	1-216-853-11	METAL CHIP	470K 5% 1/16W
IC501	8-752-909-21	IC CXP84340-217Q		R338	1-216-833-11	RES, CHIP	10K 5% 1/16W
IC502	8-759-238-47	IC TC74HCT7007AF (EL)		R339	1-216-827-11	METAL CHIP	3.3K 5% 1/16W
IC503	8-759-238-47	IC TC74HCT7007AF (EL)		R340	1-216-843-11	METAL CHIP	68K 5% 1/16W
< COIL >				R341	1-216-837-11	METAL CHIP	22K 5% 1/16W
L101	1-412-058-11	INDUCTOR CHIP 10uH		R342	1-216-833-11	RES, CHIP	10K 5% 1/16W
L102	1-412-058-11	INDUCTOR CHIP 10uH		R343	1-216-827-11	METAL CHIP	3.3K 5% 1/16W
L301	1-412-058-11	INDUCTOR CHIP 10uH		R344	1-216-833-11	RES, CHIP	10K 5% 1/16W
L302	1-412-058-11	INDUCTOR CHIP 10uH		R345	1-216-827-11	METAL CHIP	3.3K 5% 1/16W
L303	1-412-039-51	INDUCTOR CHIP 100uH		R346	1-216-841-11	METAL CHIP	47K 5% 1/16W
L304	1-412-039-51	INDUCTOR CHIP 100uH		R347	1-216-833-11	RES, CHIP	10K 5% 1/16W
L305	1-412-039-51	INDUCTOR CHIP 100uH		R348	1-218-863-11	RES, CHIP	4.7K 0.5% 1/16W
L306	1-412-039-51	INDUCTOR CHIP 100uH		R349	1-216-025-00	RES, CHIP	100 5% 1/10W
L501	1-412-058-11	INDUCTOR CHIP 10uH		R350	1-216-142-00	RES, CHIP	4.7 5% 1/8W
< TRANSISTOR >				R351	1-218-855-11	RES, CHIP	2.2K 0.5% 1/16W
Q301	8-729-230-49	TRANSISTOR 2SC2712Y-TE85L		R352	1-218-855-11	RES, CHIP	2.2K 0.5% 1/16W
Q302	8-729-026-49	TRANSISTOR 2SA1037AK-T146-QR		R353	1-218-855-11	RES, CHIP	2.2K 0.5% 1/16W
Q401	8-729-920-85	TRANSISTOR 2SD1664-T101-QR		R354	1-216-857-11	METAL CHIP	1M 5% 1/16W
Q402	8-729-106-60	TRANSISTOR 2SB1132-T101-QR		R355	1-216-833-11	RES, CHIP	10K 5% 1/16W
Q403	8-729-421-22	TRANSISTOR UN2211-TX		R356	1-216-833-11	RES, CHIP	10K 5% 1/16W
< RESISTOR >				R357	1-216-017-00	RES, CHIP	47 5% 1/10W
R101	1-216-073-00	METAL CHIP 10K 5%	1/10W	R359	1-216-864-11	METAL CHIP	0 5% 1/16W
R102	1-216-833-11	RES, CHIP 10K 5%	1/16W	R401	1-216-073-00	METAL CHIP	10K 5% 1/10W
R104	1-216-049-11	RES, CHIP 1K 5%	1/10W	R402	1-216-065-00	RES, CHIP	4.7K 5% 1/10W
R201	1-216-073-00	METAL CHIP 10K 5%	1/10W	R403	1-216-065-00	RES, CHIP	4.7K 5% 1/10W
R202	1-216-049-11	RES, CHIP 1K 5%	1/10W	R404	1-216-809-11	METAL CHIP	100 5% 1/16W
R301	1-216-809-11	METAL CHIP 100 5%	1/16W	R405	1-218-847-11	RES, CHIP	1K 0.5% 1/16W
R302	1-216-809-11	METAL CHIP 100 5%	1/16W	R406	1-218-869-11	RES, CHIP	8.2K 0.5% 1/16W
R303	1-216-809-11	METAL CHIP 100 5%	1/16W	R501	1-216-821-11	METAL CHIP	1K 5% 1/16W
R304	1-216-809-11	METAL CHIP 100 5%	1/16W	R502	1-216-821-11	METAL CHIP	1K 5% 1/16W
R305	1-216-809-11	METAL CHIP 100 5%	1/16W	R503	1-216-821-11	METAL CHIP	1K 5% 1/16W
R306	1-216-809-11	METAL CHIP 100 5%	1/16W	R504	1-216-821-11	METAL CHIP	1K 5% 1/16W
R307	1-216-809-11	METAL CHIP 100 5%	1/16W	R505	1-216-821-11	METAL CHIP	1K 5% 1/16W
R308	1-216-809-11	METAL CHIP 100 5%	1/16W	R506	1-216-845-11	METAL CHIP	100K 5% 1/16W
R311	1-216-821-11	METAL CHIP 1K 5%	1/16W	R507	1-218-863-11	RES, CHIP	4.7K 0.5% 1/16W
R312	1-216-825-11	METAL CHIP 2.2K 5%	1/16W	R510	1-216-845-11	METAL CHIP	100K 5% 1/16W
R316	1-216-821-11	METAL CHIP 1K 5%	1/16W	R511	1-216-847-11	METAL CHIP	150K 5% 1/16W
R317	1-216-809-11	METAL CHIP 100 5%	1/16W	R512	1-216-845-11	METAL CHIP	100K 5% 1/16W
R318	1-216-833-11	RES, CHIP 10K 5%	1/16W	R516	1-216-809-11	METAL CHIP	100 5% 1/16W
R319	1-216-845-11	METAL CHIP 100K 5%	1/16W	R517	1-216-809-11	METAL CHIP	100 5% 1/16W
R320	1-216-855-11	METAL CHIP 680K 5%	1/16W	R518	1-216-809-11	METAL CHIP	100 5% 1/16W
				R519	1-216-809-11	METAL CHIP	100 5% 1/16W
				R520	1-216-809-11	METAL CHIP	100 5% 1/16W
				R521	1-216-809-11	METAL CHIP	100 5% 1/16W
				R522	1-216-821-11	METAL CHIP	1K 5% 1/16W
				R523	1-216-821-11	METAL CHIP	1K 5% 1/16W

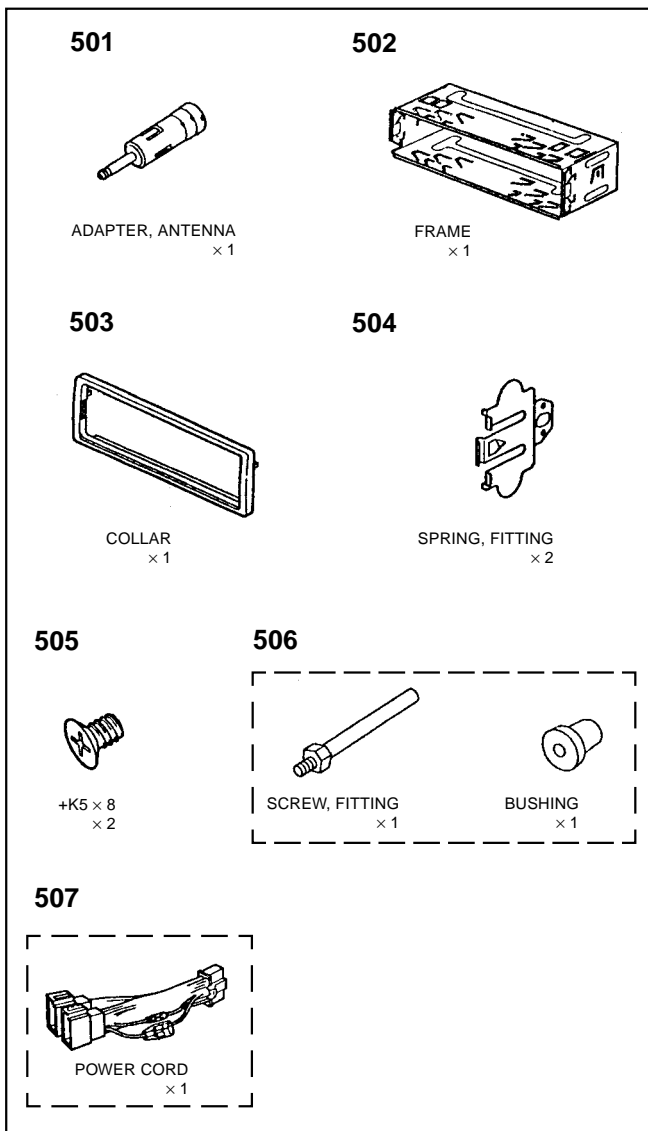
**SERVO**      **SUB**

Ref. No.	Part No.	Description	Remark
R524	1-216-821-11	METAL CHIP	1K 5% 1/16W
R525	1-216-845-11	METAL CHIP	100K 5% 1/16W
R526	1-216-825-11	METAL CHIP	2.2K 5% 1/16W
R527	1-216-825-11	METAL CHIP	2.2K 5% 1/16W
R528	1-216-825-11	METAL CHIP	2.2K 5% 1/16W
R529	1-216-825-11	METAL CHIP	2.2K 5% 1/16W
R530	1-216-825-11	METAL CHIP	2.2K 5% 1/16W
R531	1-216-845-11	METAL CHIP	100K 5% 1/16W
R532	1-216-864-11	METAL CHIP	0 5% 1/16W
R533	1-216-845-11	METAL CHIP	100K 5% 1/16W
R534	1-216-845-11	METAL CHIP	100K 5% 1/16W
R535	1-216-845-11	METAL CHIP	100K 5% 1/16W
R536	1-216-864-11	METAL CHIP	0 5% 1/16W
R537	1-216-809-11	METAL CHIP	100 5% 1/16W
R538	1-216-845-11	METAL CHIP	100K 5% 1/16W
R539	1-216-845-11	METAL CHIP	100K 5% 1/16W
R540	1-216-845-11	METAL CHIP	100K 5% 1/16W
R542	1-216-845-11	METAL CHIP	100K 5% 1/16W
< COMPOSITION CIRCUIT BLOCK >			
RB301	1-233-576-11	RES, CHIP NETWORK 100	
RB302	1-233-576-11	RES, CHIP NETWORK 100	
RB503	1-233-412-11	RES, CHIP NETWORK 1K (3216)	
< THERMISTOR >			
TH501	1-810-421-11	THERMISTOR NTH5G36B103K01TE	
< VIBRATOR >			
X301	1-767-429-21	VIBRATOR, CRYSTAL (22.5792MHZ)	
X501	1-760-365-11	VIBRATOR, CERAMIC (10MHZ)	
*****			
*	1-677-057-11	SUB BOARD	
*****			
< CONNECTOR >			
CNP810	1-794-064-11	SOCKET, CONNECTOR 14P	
CNP811	1-792-195-11	CABLE, FLEXIBLE FLAT	
< DIODE >			
D806	8-719-109-97	DIODE RD6.8ESB2	
D810	8-719-056-82	DIODE UDZ-TE-17-6.2B	
D811	8-719-056-82	DIODE UDZ-TE-17-6.2B	
D812	8-719-056-82	DIODE UDZ-TE-17-6.2B	
D813	8-719-056-82	DIODE UDZ-TE-17-6.2B	
D814	8-719-056-82	DIODE UDZ-TE-17-6.2B	
< LED >			
LED810	8-719-077-75	LED BR1101F-TR (MD DISC SLOT) (C6500RX)	
LED810	8-719-077-78	LED BG1101F-TR (MD DISC SLOT)	(C6400R, C6500R)
< SWITCH >			
LSW810	1-771-609-11	SWITCH, TACTILE (WITH LED) (▲)	(C6400R, C6500R)
LSW810	1-771-883-21	SWITCH, TACTILE (WITH LED) (▲) (C6500RX)	
*****			

Ref. No.	Part No.	Description	Remark
		MISCELLANEOUS	
		*****	
17	1-776-527-51	CORD (WITH CONNECTOR) (ISO) (POWER)	(C6400R)
17	1-776-527-61	CORD (WITH CONNECTOR) (ISO) (POWER)	(C6500R/C6500RX)
60	1-694-660-11	CONDUCTIVE BOARD, CONNECTION	
153	1-654-693-11	SENSOR FLEXIBLE BOARD	
△ 165	8-583-065-03	OPTICAL PICK-UP KMS-241C/J1RP	
CNP811	1-792-195-11	CABLE, FLEXIBLE, FLAT	
M901	A-3301-407-A	MOTOR ASSY, SP (SPINDLE)	
M902	A-3291-190-A	MOTOR ASSY, SL (SLED)	
M903	A-3291-191-A	MOTOR ASSY, LO (LOADING)	
LCD901	1-803-906-11	DISPLAY PANEL, LIQUID CRYSTAL	(C6400R/C6500R)
LCD901	1-803-906-31	DISPLAY PANEL, LIQUID CRYSTAL (C6500RX)	
*****			
***** HARDWARE LIST *****			
#1	7-621-772-20	SCREW +B 2X5	
#2	7-685-795-09	SCREW +PTT 2.6X12 (S)	
#3	7-685-793-09	SCREW +PTT 2.6X8 (S)	
#4	7-685-647-79	SCREW +BVPT 3X10 TYPE2 IT-3	
#5	7-685-851-04	SCREW +BVTT 2X4 (S)	
#6	7-624-102-04	STOP RING 1.5, TYPE-E	
#7	7-627-852-37	PRECISION SCREW +P 1.7X1.8 TYPE 3	
#8	7-621-772-08	SCREW +B 2X3	
#9	7-621-555-10	SCREW +K 2X3	
#10	7-685-793-09	SCREW +PTT 2.6X8 (S)	
#11	7-685-791-09	SCREW +PTT 2.6X5 (S)	
#12	7-627-553-28	SCREW, PRECISION +P 2X2.5	
#13	7-685-106-19	SCREW +P 2X10 TYPE2 NON-SLIT	
*****			
ACCESSORIESE & PACKING MATERIALS *****			
3-044-659-11		MANUAL, INSTRUCTION (ENGLISH, SPANISH, SWEDISH, PORTUGUESE, RUSSIAN)	(C6500R/C6500RX: AEP, UK)
3-044-659-21		MANUAL, INSTRUCTION (FRENCH, GERMAN, DUTCH, ITALIAN, GREEK)	(C6400R/C6500R/C6500RX: AEP)
3-044-659-31		MANUAL, INSTRUCTION (GERMAN)	(C6400R/C6500R/C6500RX: German)
3-044-660-11		MANUAL, INSTRUCTION, INSTALL (ENGLISH, SPANISH, SWEDISH, PORTUGUESE, RUSSIAN)	(C6500R/C6500RX: AEP, UK)
3-044-660-21		MANUAL, INSTRUCTION, INSTALL (FRENCH, GERMAN, DUTCH, ITALIAN, GREEK)	(C6400R/C6500R/C6500RX: AEP)
X-3378-490-1		CASE (PANEL) ASSY	
*****			

The components identified by mark △ or dotted line with mark ▲ are critical for safety. Replace only with part number specified.

Ref. No.	Part No.	Description	Remark
PARTS FOR INSTALLATION AND CONNECTION			
*****			
501	1-465-459-21	ADAPTER, ANTENNA	
502	3-012-360-31	FRAME	
503	3-040-979-01	COLLAR	
504	3-233-644-01	SPRING, FITTING	
505	3-934-325-01	SCREW, +K (5X8) TAPPING	
506	X-3366-405-1	SCREW ASSY (EXP), FITTING	
507	1-776-527-51	CORD (WITH CONNECTOR) (ISO) (POWER)	(C6400R)
507	1-776-527-61	CORD (WITH CONNECTOR) (ISO) (POWER)	(C6500R/C6500RX)







## Free Manuals Download Website

<http://myh66.com>

<http://usermanuals.us>

<http://www.somanuals.com>

<http://www.4manuals.cc>

<http://www.manual-lib.com>

<http://www.404manual.com>

<http://www.luxmanual.com>

<http://aubethermostatmanual.com>

Golf course search by state

<http://golfingnear.com>

Email search by domain

<http://emailbydomain.com>

Auto manuals search

<http://auto.somanuals.com>

TV manuals search

<http://tv.somanuals.com>