

Personal MiniDisc System

Operating Instructions page 2^{GB}

GB

Manual de instrucciones página 2^{ES}

ES



ZS-M30

© 2000 Sony Corporation

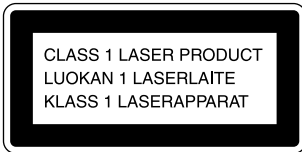
Download from [Www.Somanuals.com](http://www.Somanuals.com). All Manuals Search And Download.

Warning

To prevent fire or shock hazard, do not expose the player to rain or moisture.

To avoid electrical shock, do not open the cabinet. Refer servicing to qualified personnel only.

Information



This Compact Disc/MiniDisc player is classified as a CLASS 1 LASER product.

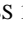
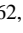
The CLASS 1 LASER PRODUCT label is located at the bottom.

Warning

Do not install the appliance in a confined space, such as a bookcase or built-in cabinet.

Notice for customers in the United Kingdom

A moulded plug complying with BS 1363 is fitted to this equipment for your safety and convenience.

Should the fuse in the plug supplied need to be replaced, same rating fuse approved by ASTA or BSI to BS 1362, (i.e. marked with  or ) must be used.

If the plug supplied with this equipment has a detachable fuse cover, be sure to attach the fuse cover after you change the fuse. Never use the plug without the fuse cover. If you should lose the fuse cover, please contact your nearest Sony service station.

Table of contents

Basic Operations

Playing a CD	4
Recording a whole CD (Synchronized recording)	6
Playing an MD	8
Listening to the radio	10

The CD Player • The MD Player

Using the display	12
Locating a specific track	13
Playing tracks repeatedly (Repeat Play)	14
Playing tracks in random order (Shuffle Play)	15
Creating your own programme (Programme Play)	15

The Radio

Presetting radio stations	17
Playing preset radio stations	18

Recording

Recording the track you are listening to (Synchronized recording of a single track – REC IT)	19
Recording the tracks you programmed (Synchronized recording of the tracks you programmed)	20
Recording from the radio or a CD	21
Extending the recording time (Monaural recording)	22
Recording on a recorded MD	24

Editing recorded tracks on the MD

Before editing	25
Erasing recordings (Erase Function)	25
Dividing a recorded track into two tracks (Divide Function)	27
Combining two adjacent tracks into a single one (Combine Function)	28
Moving recorded tracks (Move Function)	29
Labelling recordings (Name Function)	30

The Audio Emphasis

Selecting the audio emphasis	34
------------------------------------	----

The Timer

Setting the clock	35
Waking up to music	36
Falling asleep to music	37
Timer-recording radio programmes	38

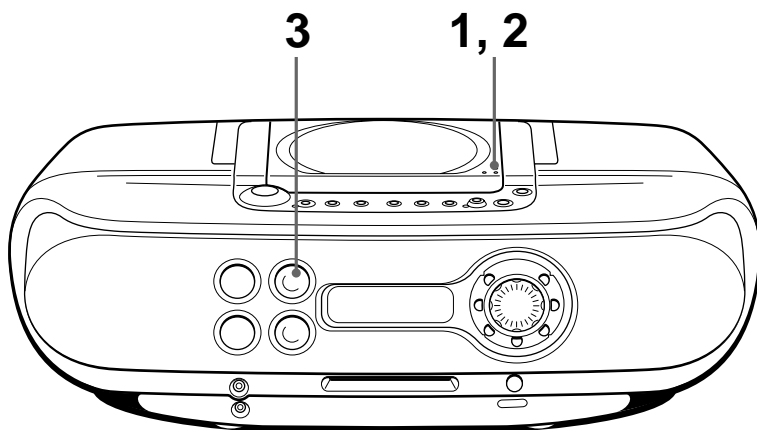
Setting Up

Preparing the system	40
Adjusting the contrast of the display	42
Connecting a game machine or other optional components	42

Additional Information

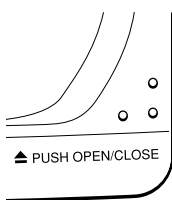
Precautions	44
System limitations of the MD	46
Getting to know the MD	47
Troubleshooting	48
Error messages	51
Specifications	52
Index	53

Playing a CD

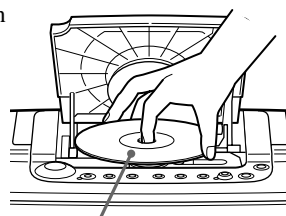


For hookup instructions, see pages 40 and 41.

1

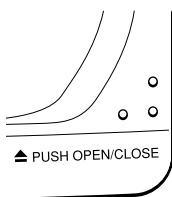


Press ▲ PUSH OPEN/CLOSE down to open the CD compartment and place the CD on the CD compartment.

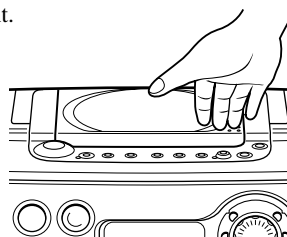


With the label side up

2



Close the lid of the CD compartment.



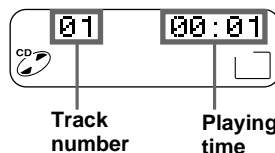
3



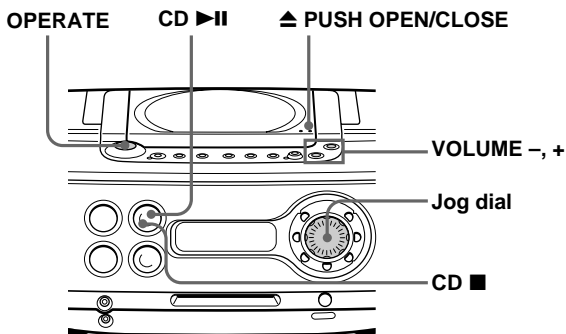
Press CD ►|| (CD ► on the remote).

The player turns on (direct power-on) and the player plays all the tracks once.

Display



Use these buttons for additional operations

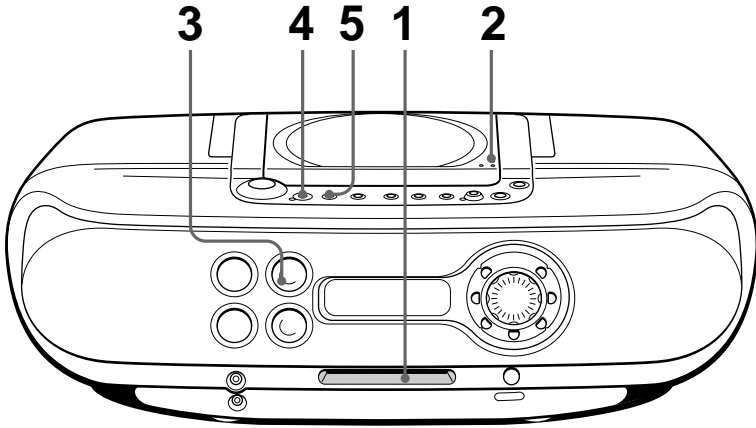


Tip

Next time you want to listen to a CD, just press CD ►||. The player turns on automatically and starts playing the CD.

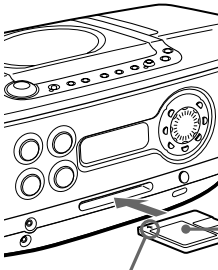
To	Do this
adjust the volume	Press VOLUME +, – (VOL +, – on the remote).
stop playback	Press CD ■.
pause playback	Press CD ► (CD on the remote). Press the button again to resume play after pause.
go to the next track	Turn the jog dial clockwise. (On the remote, press ►►.)
go back to the previous track	Turn the jog dial counterclockwise. (On the remote, press ◀◀.)
remove the CD	Press ▲ PUSH OPEN/CLOSE.
turn on/off the player	Press OPERATE.

Recording a whole CD (Synchronized recording)



For hookup instructions, see pages 40 and 41.

1

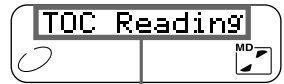


Insert a recordable MD (direct power-on).

With the label side up

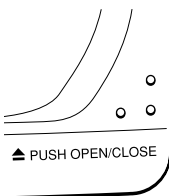
Insert in the direction of the arrow.

Display



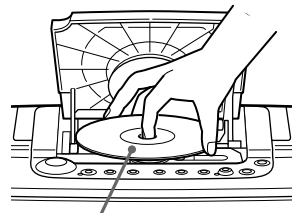
After "TOC Reading" is displayed, the disc name will be displayed if it is labelled.

2



Press ▲ PUSH OPEN/CLOSE and place the CD on the CD compartment.

Press ▲ PUSH OPEN/CLOSE again to close the lid of the CD compartment.

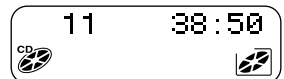


With the label side up

3

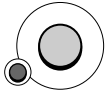


Press CD ■.



4

HIGH SPEED



To record at high speed, press HIGH SPEED.

The indicator lights up.

To record at normal speed, skip this step.

5

SYNCHRO REC



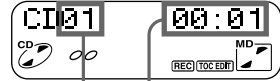
CD ► MD

Press SYNCHRO REC

CD ► MD.

The player starts recording automatically.

If the MD has any previous recording, recording will be made from the last recorded position.



Track
number
of CD

Playing time
of CD

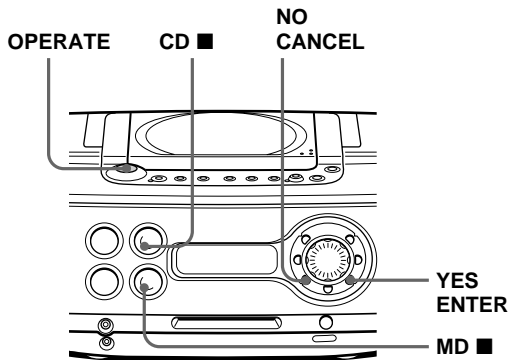
Notes

- **TOC EDIT** After you stop recording, do not disconnect the mains lead or move the player while "TOC EDIT" is flashing in the display. If you do so, recording may not be done properly.
- When you record a whole CD, you cannot pause recording.

Tips

- Adjusting the volume or the audio emphasis (page 34) will not affect the recording level. Keep the volume at a moderate level so as to prevent the sound from skipping.
- To record over the previous recording, see page 24.
- Once the clock is set, the recording date and time are stamped automatically (page 35).
- You can label an MD or a track during recording (page 30).

Use these buttons for additional operations



To	Press
stop recording	MD ■ or CD ■
turn on/off the player	OPERATE

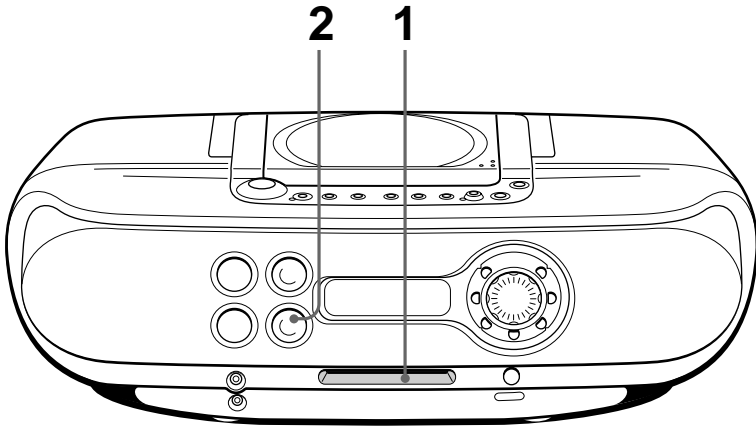
If "CD>MD OK?" alternates with time display

There is not enough space on the MD to record the whole CD.

If it is all right to record as much as possible and cancel recording of some tracks, press YES•ENTER. To stop recording, press NO•CANCEL.

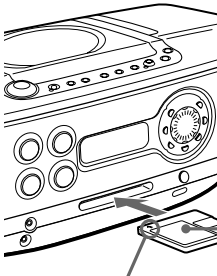
If any other messages are displayed, see page 51.

Playing an MD



For hookup instructions, see pages 40 and 41.

1



Insert the MD (direct power-on).

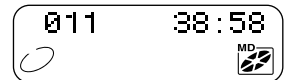
With the label side up

Insert in the direction of the arrow.

Display



After "TOC Reading" is displayed, the disc name will be displayed if it is labelled.



2

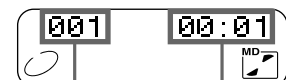


Press MD ►|| (MD ► on the remote).

The player plays all the tracks once.

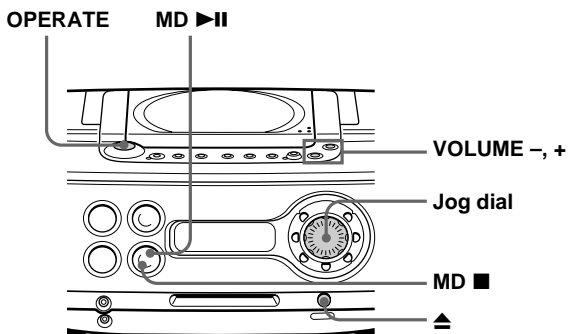


Track name is displayed if it is labelled.



Track number Playing time

Use these buttons for additional operations

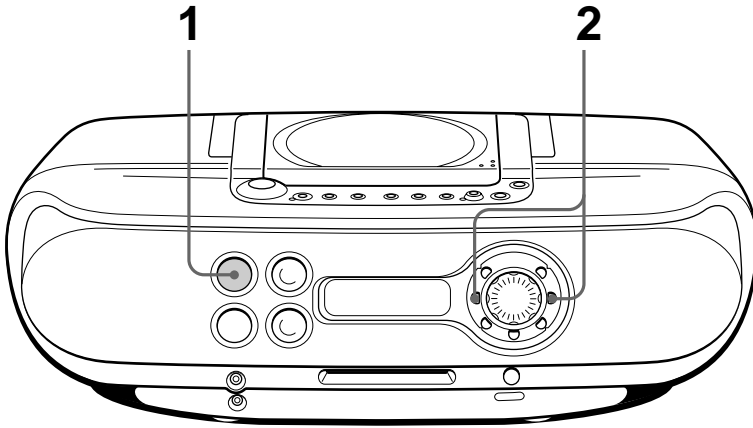


Tip

Next time you want to listen to an MD, just press MD ►||. The player turns on automatically and starts playing the MD.

To	Do this
adjust the volume	Press VOLUME +, – (VOL +, – on the remote).
stop playback	Press MD ■.
pause playback	Press MD ► (MD on the remote). Press the button again to resume play after pause.
go to the next track	Turn the jog dial clockwise. (On the remote, press ►►.)
go back to the previous track	Turn the jog dial counterclockwise. (On the remote, press ◀◀.)
remove the MD	Press ▲.
turn on/off the player	Press OPERATE.

Listening to the radio



For hookup instructions, see pages 40 and 41.

1



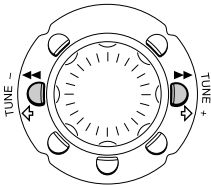
Press **RADIO BAND•AUTO PRESET** until the band you want appears in the display (direct power-on).

Display



“FM”, “MW” or “LW” appears

2



Hold down **TUNE +** or **TUNE -** until the frequency digits begin to change in the display.

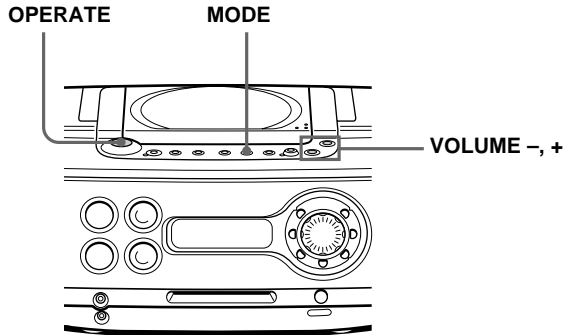
The player automatically scans the radio frequencies and stops when it finds a clear station.

If you can't tune in a station, press **TUNE +** or **TUNE -** repeatedly to change the frequency step by step.



Indicates an FM stereo broadcast

Use these buttons for additional operations



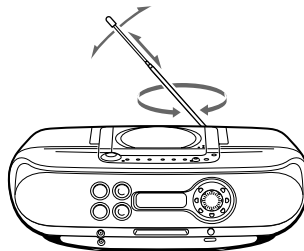
Tips

- If the FM broadcast is noisy, press **MODE** until “Mono” appears in the display and radio will play in monaural.
- Next time you want to listen to the radio, just press **RADIO BAND•AUTO PRESET**. The player turns on automatically and starts playing the previous station.
- If you need to change the MW tuning interval (preset to 9 kHz at the factory), see page 41.

To	Press
adjust the volume	VOLUME +, – (VOL +, – on the remote)
turn on/off the radio	OPERATE

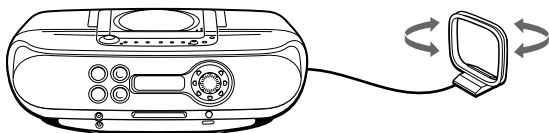
To improve broadcast reception FM:

Reorient the aerial.



MW/LW:

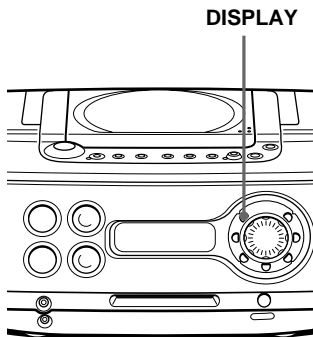
Keep the MW/LW loop aerial as far as possible from the player and reorient it.



If the broadcast is still noisy, connect the external aerial (page 41).

Using the display

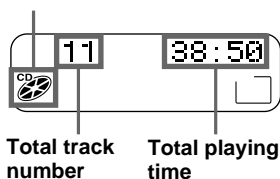
You can check information about the CD and MD using the display.



During stop (CD)

The total track number and playing time are displayed.

CD indication



During play (CD)

The current track number and playing time are displayed.

To check the remaining time Press DISPLAY.

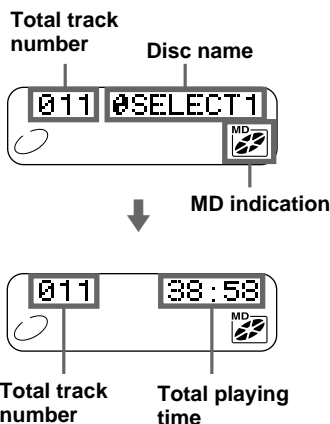
To display	Press DISPLAY
the current track number and remaining time on the current track	once
the number of tracks left and remaining time on the CD	twice
the current track number and playing time (normal indication)	three times

Note

During repeat play (page 14), shuffle play (page 15) and programme play (page 15), the number of tracks left and remaining time on the CD will not be displayed.

During stop (MD)

The total track number and playing time are displayed.



To check the remaining recording time on the MD Press DISPLAY.

Tip

The disc name is displayed only with the MDs that have been electronically labelled. If the MDs have not been labelled, the track name will not be displayed.

During play (MD)

The current track number and the track name are displayed first, then the current track number and the playing time are displayed.

To check the remaining time, recording date and time, etc. Press DISPLAY.

To display	Press DISPLAY
the current track number and the track name	once
the current track number and remaining time on the current track	twice
the number of tracks left and the disc name	three times
the number of tracks left and remaining time on the MD	four times
recording date and time*	five times
the current track number and playing time (normal indication)	six times

* Once the clock is set, the recording date and time are stamped automatically (page 35).

Tip

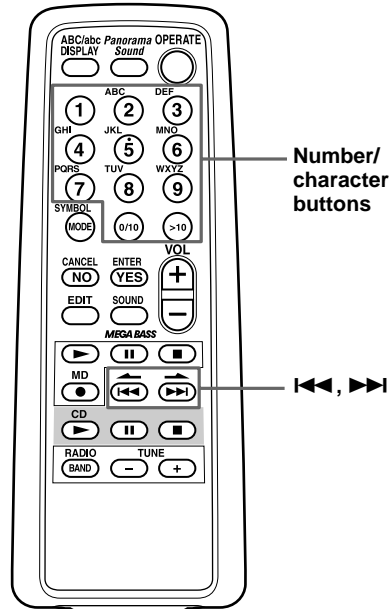
The track name is displayed only with the MDs that have been electronically labelled. If the MDs have not been labelled, the track name will not be displayed.

Note

During repeat play (page 14), shuffle play (page 15) and programme play (page 15), the number of tracks left and remaining time on the MD will not be displayed.

Locating a specific track

You can quickly locate any track on a CD or an MD using the number/character buttons on the remote. You can also find a specific point in a track while playing a CD or an MD.



To locate	Press
a specific track directly	the number/character button of the track.
a point while listening to the sound	▶▶ (forward) or ◀◀ (backward) while playing and hold down until you find the point. (On the player, use ▶▶ or ◀◀.)
a point while observing the display	▶▶ (forward) or ◀◀ (backward) in pause and hold down until you find the point. (On the player, use ▶▶ or ◀◀.)

continued

Locating a specific track (continued)

Note

You cannot locate a specific track if “REP PGM”, “REP SHUF”, “PGM” or “SHUF” is lit in the display. Turn off the indication by pressing ■.

Tips

- To locate a track numbered over 10, press >10 first, then the corresponding number/character buttons.

Example:

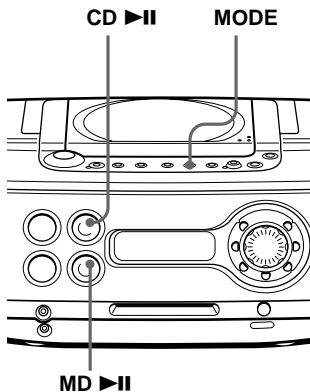
To play the track number 23, press >10 first, then 2 and 3.

To play the track number 10, you can use the 0/10 button as well as >10, 1 and 0.

- To select a track on an MD numbered 100 or more, press >10 twice, then the corresponding number/character buttons.

Playing tracks repeatedly (Repeat Play)

You can play tracks repeatedly in normal, shuffle or programme play modes.



To repeat	Do this
a single track	<ol style="list-style-type: none">1 Play the track you want.2 Press MODE until “REP 1” appears in the display.
all the tracks	<ol style="list-style-type: none">1 Start normal play.2 Press MODE until “REP ALL” appears in the display.
tracks in random order	<ol style="list-style-type: none">1 Start shuffle play (page 15).2 Press MODE until “REP” “SHUF” appears in the display.
programmed tracks	<ol style="list-style-type: none">1 Start programme play (page 15).2 Press MODE until “REP” “PGM” appears in the display.

To cancel Repeat Play

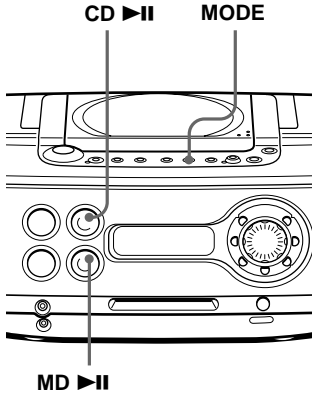
Stop playing first. Then, press MODE until “REP” disappears from the display.

Tip

You can also select repeat play mode during stop. Press MODE repeatedly until “REP 1”, “REP ALL”, “REP” “SHUF” or “REP” “PGM” appears in the display. Then play the CD or the MD.

Playing tracks in random order (Shuffle Play)

You can play tracks in random order.



Before you begin, make sure that the CD or MD player is in stop mode.

- 1 Press MODE until “SHUF” appears in the display.
- 2 Press CD ►► (or MD ►►) to start shuffle play.

To cancel Shuffle Play

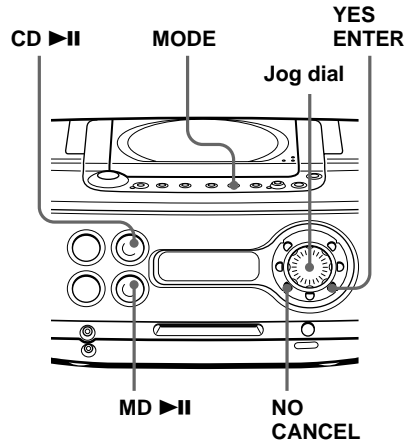
Stop playing first. Then, press MODE until “SHUF” disappears from the display.

Tip

During shuffle play, you cannot select the previous track by turning the jog dial (or by pressing ◀◀ on the remote).

Creating your own programme (Programme Play)

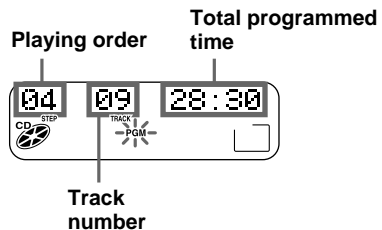
You can arrange the playing order of up to 20 tracks on a CD or an MD.



Before you begin, make sure that the CD or MD player is in stop mode.

- 1 Press MODE until “PGM” appears in the display.
- 2 Turn the jog dial to select the track you want to programme, and press YES•ENTER.
Repeat this step.

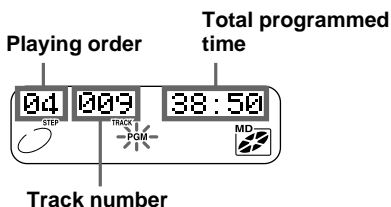
(In case of CD)



continued

Creating your own programme (Programme Play) (continued)

(In case of MD)



-
- 3** Press CD ►► (or MD ►►) to start programme play.
-

On the remote

Press MODE until "PGM" appears in the display, then press the number/character button to select the track.

Tips

- If you made a mistake, press NO•CANCEL and re-enter the track number using the jog dial and YES•ENTER.
- If the programme play is finished, the programme is saved. You can play the same programme again by pressing ►►.
- If you open the lid of the CD compartment, the programme is erased.
- If you take out the MD, the programme is erased.
- During play, total programmed time cannot be displayed.

To cancel Programme Play
Stop playing first. Then, press MODE until "PGM" disappears from the display.

To check the order of tracks before play

Before starting the programme play, press YES•ENTER.

Every time you press YES•ENTER, the track number appears in the programmed order.

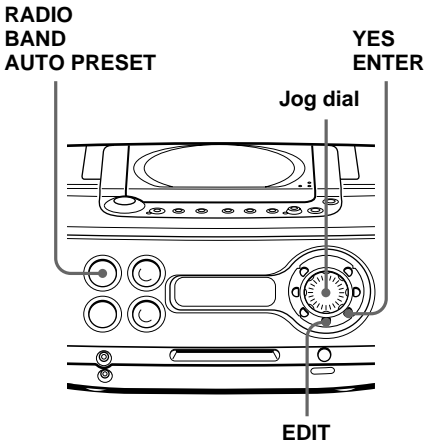
To change the current programme

Change before starting the programme play.

To	Do this
erase the last track in the programme	<ol style="list-style-type: none">1 Press NO•CANCEL. The track programmed last is erased.2 Re-enter the track numbers by turning the jog dial and pressing YES•ENTER.
change the whole programme completely	<ol style="list-style-type: none">1 Press ■ to erase the whole programme.2 Create a new programme following the programming procedure.

Presetting radio stations

You can store radio stations into the player's memory. You can preset up to 40 stations, 20 for FM and 10 each for MW and LW in any order.



- 1** Press **RADIO BAND•AUTO PRESET** until the band you want appears in the display.
- 2** Hold down **RADIO BAND•AUTO PRESET** until “Auto Preset” flashes in the display.
- 3** Press **YES•ENTER**.
The stations are stored in memory from the lower frequencies (from the preset number 1, in numerical order) as long as the station has a signal strong enough.
When you've done presetting, the station stored in the preset number 1 will be tuned in automatically.

If a station cannot be preset automatically

You need to preset a station with a weak signal manually. Also, when you want to replace preset stations with a new one, proceed as follows:

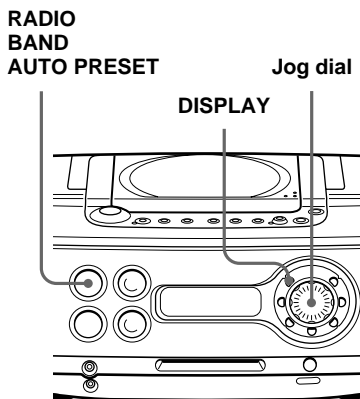
- 1** Press **RADIO BAND•AUTO PRESET** until the band you want appears in the display.
- 2** Press **TUNE +** or **TUNE –** repeatedly until you tune in the station you want, and then, hold down **YES•ENTER** for 2 seconds.
- 3** Select the preset number you want to preset the new station on by turning the jog dial.
- 4** Press **YES•ENTER**.
The new station replaces the old one.

On the remote

- 1** Press **BAND** until the band you want appears in the display.
- 2** Press **TUNE +** or **–** until you tune in the station you want.
- 3** Hold down the number/character button that you want to preset the new station on for 2 seconds.
To select the preset number over 10, press **>10** first, then the corresponding number buttons.
You need to hold down the last number button to enter for about 2 seconds. (Example: To select 12, press **>10** and **1** first, then hold down **2** for about 2 seconds.)

Playing preset radio stations

Once you've preset the stations, use the jog dial on the player or the number/character buttons on the remote to tune in your favourite stations.



-
- 1** Press RADIO BAND•AUTO PRESET until the band you want appears in the display.
 - 2** Turn the jog dial to display the preset number of the station you want.
-

To check the station name
Press DISPLAY. Press DISPLAY again to return to the frequency indication.

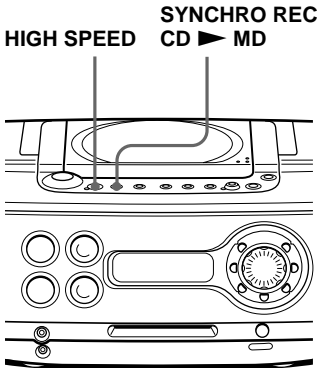
On the remote

- 1** Press BAND until the band you want appears in the display.
- 2** Press the number/character button to tune in a stored station.
To tune in a preset station over 10, press >10 first, then the corresponding number buttons.
(Example: To tune in a preset station 12, press >10 and 1 first, and then press 2.)

Recording the track you are listening to

(Synchronized recording of a single track – REC IT)

You can record the track you are listening to from its beginning using the SYNCHRO REC CD ► MD button.



- 1 Insert a recordable MD.
- 2 Insert the CD and play the track you want to record.
- 3 To record at high speed, press HIGH SPEED.
The indicator lights up.
To record at normal speed, skip this step.

- 4 Press SYNCHRO REC CD ► MD.
The player goes back to the beginning of the track you are listening to, and starts recording.
If the MD has any previous recording, recording will be made from the last recorded position.
When recording is finished, MD player will stop operation automatically but CD player will continue playing.

If "CD>MD OK?" alternates with time display

There is not enough space on the MD to record the whole programme.

If it is all right to record as much as possible and cancel recording of some tracks, press YES•ENTER. To stop recording, press NO•CANCEL.

If any other messages are displayed, see page 51.

Notes

- **TOC EDIT** After you stop recording, do not disconnect the mains lead or move the player while "TOC EDIT" is flashing in the display. If you do so, recording may not be done properly.
- If you turn up the volume too high, sound skipping may occur.

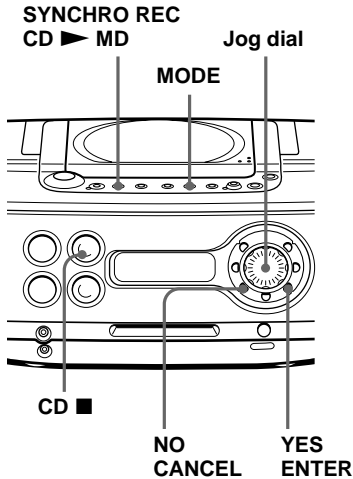
Tips

- To record over the previous recording, see page 24.
- Once the clock is set, the recording date and time are stamped automatically (page 35).
- You can label the MD and the track during recording (page 30).

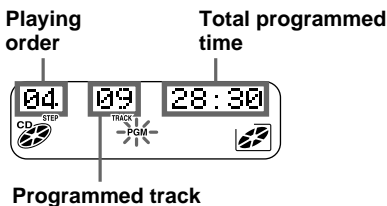
Recording the tracks you programmed

(Synchronized recording of the tracks you programmed)

You can record the tracks you programmed up to 20 tracks.



- 1 Insert a recordable MD.
- 2 Insert the CD you want to record and press CD ■.
- 3 Press MODE until "PGM" appears in the display.
- 4 Turn the jog dial to select the track you want to programme, and press YES•ENTER. Repeat this step.



- 5 Press SYNCHRO REC CD ► MD. The player starts recording automatically.

If the MD has any previous recording, recording will be made from the last recorded position.

If "CD>MD OK?" alternates with time display

There is not enough space on the MD to record the whole programme.

If it is all right to record as much as possible and cancel recording of some tracks, press YES•ENTER. To stop recording, press NO•CANCEL.

If any other messages are displayed, see page 51.

Notes

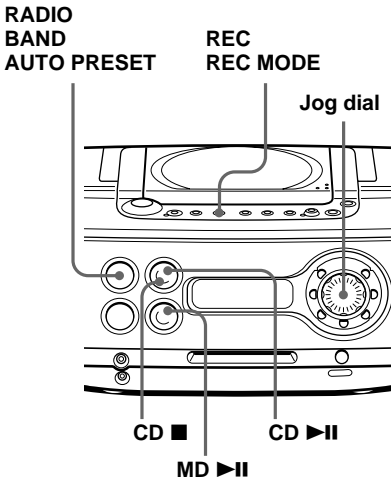
- **TOC EDIT** After you stop recording, do not disconnect the mains lead or move the player while "TOC EDIT" is flashing in the display. If you do so, recording may not be done properly.
- If you turn up the volume too high, sound skipping may occur.

Tips

- If you made a mistake, press NO•CANCEL and re-enter the track number using the jog dial and YES•ENTER.
- To record over the previous recording, see page 24.
- Once the clock is set, the recording date and time are stamped automatically (page 35).
- You can label the MD and the track during recording (page 30).
- When recording the tracks you programmed, you cannot use the high-speed recording function.

Recording from the radio or a CD

You can record from the radio or a CD to an MD using the REC•REC MODE button. You can start or stop recording at any point you want. You can also pause recording.



To pause recording

Press MD ►|| (MD || on the remote). Press the button again to resume recording.

Notes

- **TOC EDIT** After you stop recording, do not disconnect the mains lead or move the player while “TOC EDIT” is flashing in the display. If you do so, recording may not be done properly.
- While recording from radio, you cannot change the station.
- If you turn up the volume too high, sound skipping may occur.

Tips

- To record over the previous recording, see page 24.
- To add track marks during recording, press REC•REC MODE where you want to add track marks.
- To add track marks after recording, see “Dividing a recorded track into two tracks” on page 27.
- When recording from the radio, you cannot use the high-speed recording function.

Recording from the radio

- 1 Tune in the station you want to record from.
- 2 Insert a recordable MD.
- 3 Press REC•REC MODE (● on the remote).
The player stands by for recording.
- 4 Press MD ►|| (MD ► or MD || on the remote).
Recording will be made from the last recorded position.

Recording from a CD

Track marks on the source CD are recorded on the same positions on the MD. Track marks are also added automatically on the MD when you pause recording.

If unnecessary track marks are added, erase them after recording (see “Combining two adjacent tracks into a single one” on page 28).

- 1 Insert a CD.
- 2 Press CD ■ to activate the CD player.
- 3 Insert a recordable MD.

continued

To stop recording

Press MD ■.

Recording from the radio or a CD (continued)

- 4 Press REC•REC MODE (● on the remote).
The player stands by for recording.
- 5 Press MD ►|| (MD ► or MD || on the remote).
Recording will be made from the last recorded position.
- 6 Press CD ►|| (CD ► on the remote).

To stop recording
Press MD ■.

To pause recording
Press MD ►|| (MD || on the remote). Press the button again to resume recording.

Notes

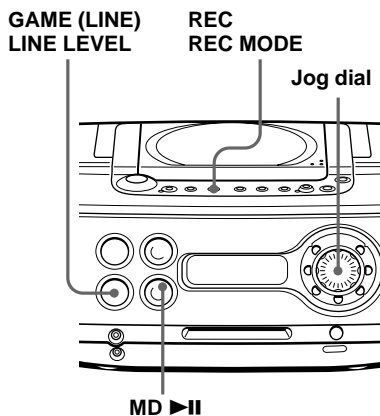
- **TOC EDIT** After you stop recording, do not disconnect the mains lead or move the player while “TOC EDIT” is flashing in the display. If you do so, recording may not be done properly.
- If you turn up the volume too high, sound skipping may occur.

Tips

- To record over the previous recording, see page 24.
- To add track marks during recording, press REC•REC MODE where you want to add track marks.
- To add track marks after recording, see “Dividing a recorded track into two tracks” on page 27.
- When recording a CD using REC•REC MODE, you cannot use the high-speed recording function.

Extending the recording time (Monaural recording)

If you choose to record in monaural, the recording time becomes double the normal mode; however, the recorded sound will lose the real sound presence to some extent. Choose recording mode accordingly.



- 1 Prepare the music source you want to record.

Source	Do this
CD	Insert a CD, and press CD ■.
RADIO	Tune in the station.
GAME (LINE)	Turn on the component connected to LINE IN. Press GAME (LINE)•LINE LEVEL until “GAME (LINE)” appears in the display.

- 2 Insert a recordable MD.
- 3 Press and hold REC•REC MODE (● on the remote) until “Stereo REC” flashes in the display.

4 Turn the hog dial until “Mono REC” flashes in the display, and press YES•ENTER.
The player stands by for recording.

5 Press MD ►|| (MD ► or MD || on the remote).
Recording will be made from the last recorded position.

6 Play the sound source.
Recording from the CD: Press CD ►||.
Recording from the connected component : Play the component connected to the LINE IN jack.

Tips

- To record over the previous recording, see page 24.
- To add track marks during recording, press REC•REC MODE where you want to add track marks.
- To add track marks after recording, see “Dividing a recorded track into two tracks” on page 27.
- Once you stopped recording by pressing MD ■, the player switches back to stereo recording when you record the next time.
- If you record a stereo source in monaural, the sounds from left and right will be mixed.
- The MDs recorded in monaural using this player can be played back only with an MD player/recorder that has the monaural playing function.
- When recording in monaural, you cannot use the high-speed recording function.

To stop recording

Press MD ■.

To pause recording

Press MD ►|| (MD || on the remote). Press the button again to resume recording.

Notes

- **TOC EDIT** After you stop recording, do not disconnect the mains lead or move the player while “TOC EDIT” is flashing in the display. If you do so, recording may not be done properly.
- While recording from radio, you cannot change the station.
- If you turn up the volume too high, sound skipping may occur.

Recording on a recorded MD

There are two ways of recording on a recorded MD.

- To add to the previous recording. The previous recording will remain.
- To record over the previous recording. The previous recording will be erased.

Adding recording (the previous recording will remain)

Insert a recorded MD, and start recording (pages 6, 19 - 23). Recording will be made from the last recorded position.

If there is not enough space on the MD to record

When recording a whole CD, "CD>MD OK?" appears in the display (page 7). When recording from the radio or a CD, press DISPLAY to check the recording remaining time on the MD.

Recording over the previous recording (the previous recording will be erased)

To record over from the beginning of the MD after erasing all tracks on the MD

First, erase all tracks on an MD (page 26). You can use the MD the same as a new one. Then, record on the MD as usual.

To record over from a specific point on the MD

- 1 Play the MD and press MD ►|| to pause play at the point you want to start recording.
- 2 Press REC•REC MODE to make the player in standby mode.
- 3 Play the sound source.
- 4 Press MD ►|| to start recording.

Note

When recording over from a specific point on the MD:

If the new recording is shorter than the previous recording, a part of the previous recording will remain after the recording. As you repeat this type of recording, many fragments of recording will remain on the MD. We recommend that you erase all tracks on the MD (page 26) if you no longer need to keep the recording. Then, start recording on the blank MD.

Before editing

On the MD, track marks are inserted between the tracks. You can edit recorded tracks by adding or erasing the track marks. The position of the track marks to be added are different depending on the type of recording or recording conditions as shown in the following table.

The position of the track marks to be added

The type of recording	The position of the track marks to be added
Recording a whole CD (page 6)	The same positions on the source CD
Recording from a CD using REC•REC MODE button (page 22)	<ul style="list-style-type: none"> The same positions on the source CD The position where you pause recording The position where you press REC•REC MODE
Recording from the radio or other components connected to the player (pages 21 and 43)	<ul style="list-style-type: none"> When there is no sound input or a soft sound continues during recording for more than 2 seconds The positions where you pause recording The positions where you press REC•REC MODE

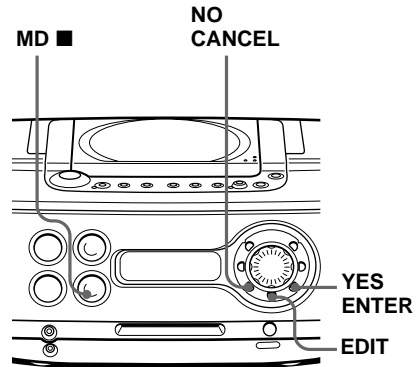
You can add or erase track marks after recording. When you record, track marks may be added to the positions you do not want. If that happens, change the positions of the track marks to those you want.

Erasing recordings (Erase Function)

You can quickly erase the recorded tracks or unnecessary portion in the track. Unlike a cassette-corder, blank portion will not remain after erasure.

Here are three options to erase recordings:

- Erasing a single track
- Erasing all tracks on an MD
- Erasing a portion of a track



Erasing a single track

You can erase a whole track quickly. When you erase a track, the total number of tracks on the MD decreases by one and all tracks following the erased one are renumbered.

- 1 Play the track you want to erase.
- 2 Press EDIT repeatedly until "Track Erase" appears in the display.

continued

Erasing recordings (Erase Function) (continued)

-
- 3** Press YES•ENTER.
“Erase 003 OK?” appears in the display, and one-track repeat play starts. Once you have erased a track, you cannot recover it. Be sure to check the contents of the track you are trying to erase.
If you want to cancel the erase function at this point:
Press NO•CANCEL or MD ■.

-
- 4** Press YES•ENTER.
“Complete” appears in the display for a few seconds, and the current track will be erased.
-

Notes

- If “Protected” appears in the display, the tab on the MD is in the record-protect position (page 45).
- **TOC EDIT** After you stop editing, do not disconnect the mains lead or move the player while “TOC EDIT” is flashing in the display. If you do so, editing may not be done properly.

Erasing all tracks on an MD

You can erase the disc name, all recorded tracks and their names at the same time. After you have erased all tracks on the MD, you can use it as a new MD.

-
- 1** While the player is stopped, press EDIT repeatedly until “All Erase” appears in the display.
-
- 2** Press YES•ENTER.
“ALL Erase OK?” appears in the display. Once you have erased tracks, you cannot recover them. Be sure to check the contents of the disc you are trying to erase.
If you want to cancel the erase function at this point:
Press NO•CANCEL or MD ■.

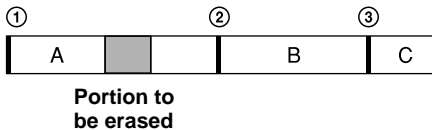
-
- 3** Press YES•ENTER.
After “TOC EDIT” disappears from the display, “Blank Disc” appears in the display, and all contents on the MD are erased.
-

Erasing a portion of a track

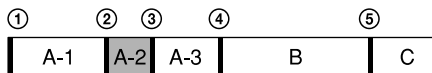
By using the Divide, Erase (page 25) and Combine (page 28) functions, you can erase specific portions of a track.

Example: Erasing a portion of track A

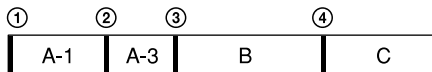
Track number



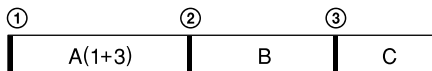
- 1 Divide the track A into three portions. Add the track marks ② and ③ to the beginning and the end of the portion you want to erase using the Divide function.



- 2 Erase the track A-2.
Erase the track A-2 using the function to erase a single track (page 25).



- 3 Combine the tracks A-1 and A-3.
Erase the track marks ② using the Combine function (page 28).

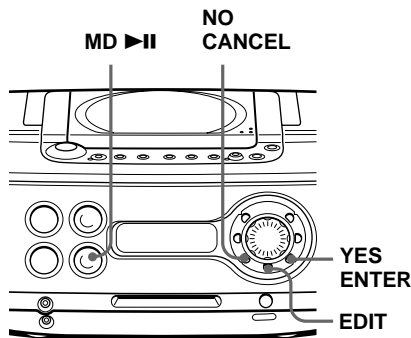


Note

TOC EDIT After you stop editing, do not disconnect the mains lead or move the player while "TOC EDIT" is flashing in the display. If you do so, editing may not be done properly.

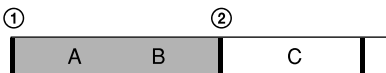
Dividing a recorded track into two tracks (Divide Function)

When recording from the radio, etc., track marks may not be added correctly. A number of tracks may be included in a single track. You can divide these tracks into separate tracks, and add a new track mark to each track. All tracks following the divided tracks are renumbered.



Example: Dividing track 1 into two tracks

Track number



Dividing

Track 1 is divided, and the track mark ② is added.



- 1 While playing the MD, press MD ►|| at the point where you want to create a new track.
The player pauses.

continued

Dividing a recorded track into two tracks (Divide Function) (continued)

- Press EDIT repeatedly until "Divide" appears in the display.
- Press YES•ENTER.
"Divide OK?" appears in the display.
If you want to cancel the divide function at this point:
Press NO•CANCEL or MD ■.
- Press YES•ENTER.
"Complete" appears in the display for a few seconds after the track is divided. The original track only has the track name, while the new track has no name (this happens only when the track you divided had its track name).

Tips

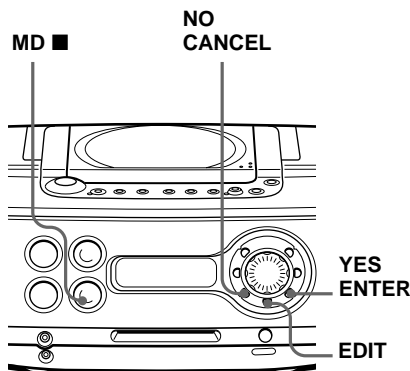
- To put the divided tracks together, see "Combining two adjacent tracks into a single one".
- To divide a track during recording, press REC•REC MODE at the point where you want to add the track mark.

Notes

- If "Sorry" appears in the display, you cannot divide the track.
If you repeat editing on the MD, you may not be able to divide a track. This is due to the system limitations of the MD (page 46), but not caused by mal function.
- TOC EDIT** After you stop editing, do not disconnect the mains lead or move the player while "TOC EDIT" is flashing in the display. If you do so, editing may not be done properly.

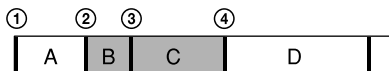
Combining two adjacent tracks into a single one (Combine Function)

You can combine two adjacent tracks into a single one. Using the combine function, you can combine a number of fragmented recordings or delete the unnecessary track marks. All tracks following the combined track are renumbered.



Example: Combine the tracks B and C

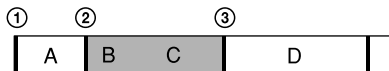
Track number



Combining



Combine two tracks into a single one by erasing the track mark ③.



- Play the track you want to combine.
Example: To combine the tracks B and C, play the track C.
- Press EDIT repeatedly until "Combine" appears in the display.

3 Press YES•ENTER.
 “Combine OK?” appears in the display; the player enters the playback pause mode.

If you want to cancel the combine function at this point:

Press NO•CANCEL or MD ■.

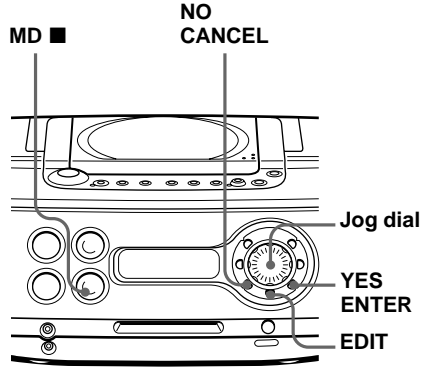
4 Press YES•ENTER.
 “Complete” appears in the display for a few seconds after the tracks are combined. If both of the combined tracks had track names, the name of the latter track is erased.

Notes

- If “Sorry” appears in the display, you cannot combine the tracks.
 If you repeat editing on the MD, you may not be able to combine the tracks. This is due to the system limitations of the MD (page 46), but not caused by mal function.
- If “Cannot Edit” appears in the display, you may be trying to combine the tracks on the first track. You cannot use the combine function on the first track.
- **TOC EDIT** After you stop editing, do not disconnect the mains lead or move the player while “TOC EDIT” is flashing in the display. If you do so, editing may not be done properly.

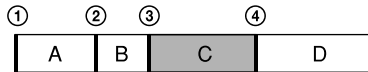
Moving recorded tracks (Move Function)

You can change the order of the tracks. After you move the track, the track numbers are renumbered automatically.



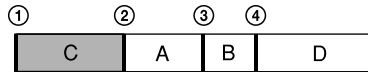
Example: Moving the track C to the position of track 1

Track number



Moving

↓ Track number of the C changes to 1



1 Play the track you want to move.

2 Press EDIT repeatedly until “Track Move” appears in the display.

3 Press YES•ENTER.
 “→Track 003?” appears in the display, and one-track repeat play starts.

continued

Moving recorded tracks (Move Function) (continued)

- Turn the jog dial to select the new track position, and press YES•ENTER. "003→→→001?" appears in the display.

If you want to cancel the move function at this point:

Press NO•CANCEL or MD ■.

- Press YES•ENTER. "Complete" appears in the display for a few seconds after the track is moved.

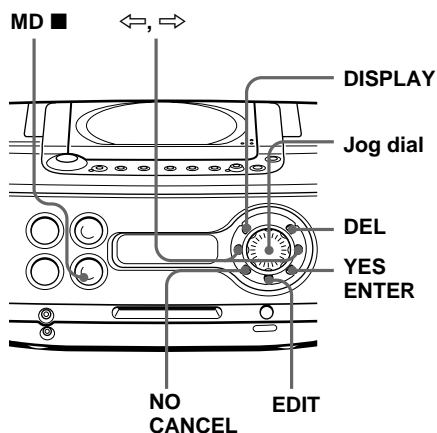
Note

TOC EDIT After you stop editing, do not disconnect the mains lead or move the player while "TOC EDIT" is flashing in the display. If you do so, editing may not be done properly.

Labelling recordings

(Name Function)

Either during recording or after recording, you can label the MDs and the tracks you have recorded with letters, numbers and symbols. You can input up to about 1 700 characters into each MD.



Labelling during recording

- You can label both MDs and tracks during synchronized recording of a whole CD (page 6) or the tracks you programmed (page 20).
- You can only label the tracks during synchronized recording of a single track – REC IT (page 19).

During synchronized recording of a whole CD or the tracks you programmed

You can label an MD or a track with up to 40 characters. You can label up to 25 tracks. If you want to label more than 25 tracks, label the tracks after recording (page 32).

1 During recording, press EDIT repeatedly until “Disc Name” or “Track Name” appears in the display, and press YES•ENTER.

When you label an MD, select “Disc Name”.

When you label a track, select “Track Name”.

2 When you label a track, turn the jog dial to select a track number in a CD, and press YES•ENTER.

When you label an MD, proceed to step 3.

3 Turn the jog dial clockwise or counterclockwise to select the character, and press ⇐⇒ to make the cursor shift rightward.

Cursor



You can also use the following buttons:

Button to use	Function
DISPLAY	Each time you press the button, the character changes as follows: Uppercase letters → Lowercase letters → Numbers and symbols.
⇐, ⇒	Move the cursor leftward or rightward.
DEL	Delete the character marked by the cursor.

4 Repeat step 3 to complete an entire name.

5 Press YES•ENTER.
The name has been labelled on the MD or the track.

The characters you can input

- Uppercase letters: ABCD.....WXYZ
- Lowercase letters: abcd.....wxyz
- Numbers and symbols: 0123456789!"#\$%&()**,
<=>? @_+ -./: □ (space)

Note

TOC EDIT After you stop editing, do not disconnect the mains lead or move the player while “TOC EDIT” is flashing in the display. If you do so, editing may not be done properly.

During REC IT recording

You can label a track only. You can input up to 100 characters.

1 During recording, press EDIT.
The display waits for the input of the characters.

2 According to steps 3 and 4 in “Labelling during recording”, label a track.

3 Press YES•ENTER.
The name is labelled on the track.

continued

Labelling after recording

To label an MD or a track, operate as follows. You can input up to 100 characters for each label.

- 1** When you label an MD, insert the MD you want to label and stop operation.
When you label a track, play the track you want to label.
- 2** Press EDIT repeatedly until “Disc Name” or “Track Name” appears in the display, and press YES•ENTER.
When you label an MD, select “Disc Name”.
When you label a track, select “Track Name”.
- 3** Label the MD or the track according to steps 3 and 4 on page 31.
- 4** Press YES•ENTER.
The name is labelled on the MD or the track.

To change the name

According to steps 1 and 2 on this page, make the disc name or the track name you want to change appear in the display.

Replace the old name with a new one, and press YES•ENTER.

Tip

When using an MD that has been already labelled, a disc name or a track name appears in the display at the time of labelling. Change the name according to steps 3 and 4 on page 31, if necessary, then press YES•ENTER to confirm the new name.

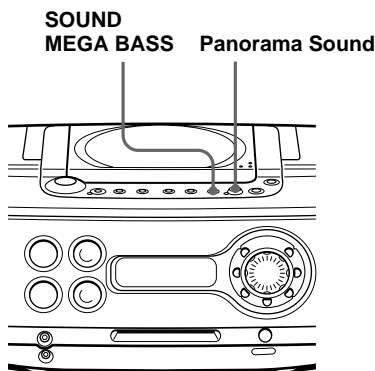
The characters you can input using the remote

Numbers, letters and symbols are allocated to each number/character button on the remote. Each time you press the button, the character changes in the display as shown in the following table.

Buttons	The characters allocated to each button
1	1
2ABC	[A → B → C → a → b → c → 2]
3DEF	[D → E → F → d → e → f → 3]
4GHI	[G → H → I → g → h → i → 4]
5JKL	[J → K → L → j → k → l → 5]
6MNO	[M → N → O → m → n → o → 6]
7PQRS	[P → Q → R → S → p → q → r → s → 7]
8TUV	[T → U → V → t → u → v → 8]
9WXYZ	[W → X → Y → Z → w → x → y → z → 9]
0/10	0
>10	_____
SYMBOL	[! → " → # → \$ → % → & → (→) → * → . → ; → < → = → → ! → / → , → ' → - → + → \ → _ → 0 → ? → >]

Selecting the audio emphasis

You can adjust the audio emphasis of the sound you are listening to. You can also enjoy the live presence sound from a game machine, etc., using the Panorama Sound button.



Selecting the sound characteristic

Press SOUND•MEGA BASS to select the audio emphasis you want. Each time you press the button, the display changes.

Choose	For
Sound Rock	Rock'n'roll music: powerful, clean sounds, emphasizing low and high range audio.
Sound Pop	Popular music: light, bright sounds, emphasizing high and middle range audio.
Sound Jazz	Jazz: percussive sounds, emphasizing bass audio.
Sound Vocal	Vocals: the presence of vocals, stressing middle range audio.
Sound Off	Classical music: the whole dynamic range for music.

Reinforcing the bass sound

- 1 Press SOUND•MEGA BASS until "MEGA BASS" appears in the display.
- 2 Press SOUND•MEGA BASS again to select "MEGA BASS On".
"MEGA BASS" appears in the display.
To return to normal sound, press the button again to select "MEGA BASS Off".

Enjoying the live presence sound

Press Panorama Sound to select the sound quality you want. Each time you press the button, the display changes.

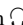
For CD, MD and radio

Choose	Sound quality
Panorama:Live	Live presence sound
Panorama	Panoramic sound
Panorama:Off	Normal sound

For the sound from the LINE IN jack

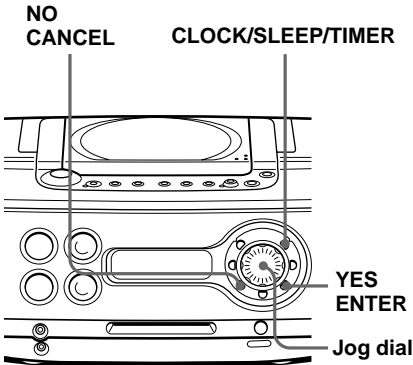
Choose	Sound quality
Panorama:Game	Live presence of the sound from the game machine, etc. is enhanced.
Panorama	Panoramic sound
Panorama:Off	Normal sound

Note

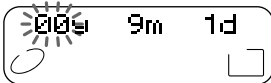
The panorama sound function does not work on the sound output from  jack.

Setting the clock

“- -y - -m - -d” and “- :- -” indications appear in the display until you set the clock. Once the clock is set, the recording date and time are stamped automatically (pages 7, 13, 19 and 20).



- 1 Press and hold **CLOCK/SLEEP/TIMER** until the year digits flash.

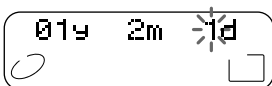


- 2 Set the date.
 - 1 Turn the jog dial to set the year and press **YES•ENTER**.

Example: Set Feb. 14, 2001



- 2 Turn the jog dial to set the month and press **YES•ENTER**.



- 3 Turn the jog dial to set the day and press **YES•ENTER**.



- 3 Set the time.
 - 1 Turn the jog dial to set the hour and press **YES•ENTER**.
 - 2 Turn the jog dial to set the minutes.

- 4 Press **YES•ENTER**.
The clock starts from 00 seconds.



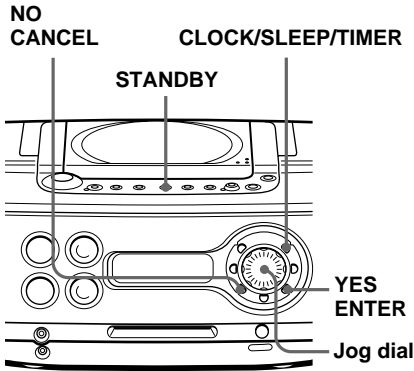
To display the time
Press **CLOCK/SLEEP/TIMER**. If you press the button again, the date indication appears in the display. To go back to the previous display, press **NO•CANCEL**. When the power is turned off, the time indication is displayed.

Tip
The time display system of this player is the 24-hour system.

Waking up to music

You can wake up to music or a radio programme at a preset time.

Make sure you have set the clock (see “Setting the clock” on page 35).



Before you begin, make sure “TIMER” is not displayed. If displayed, press STANDBY.

- 1 Prepare the music source you want to play.

Source	Do this
MD	Insert an MD.
CD	Insert a CD.
RADIO	Tune in the station.
GAME (LINE)	Turn on the component connected to LINE IN.

- 2 Press CLOCK/SLEEP/TIMER until “Timer Set” appears in the display, and press YES•ENTER. “TIMER” flashes in the display. Make the following settings by checking the indications in the display.



- 3 Turn the jog dial until “PLAY” flashes in the display, and press YES•ENTER. “MD”, “CD”, “RADIO” or “LINE” flashes in the display.

- 4 Turn the jog until the music source you want to play (“MD”, “CD”, “RADIO” or “LINE”) appears in the display, and press YES•ENTER.

- 5 Set the timer to the hour and the minutes you want the music to go on.

- ① Turn the jog dial to set the hour and press YES•ENTER.



- ② Turn the jog dial to set the minutes and press YES•ENTER.

- 6 Set the timer to the hour and the minutes you want the music to go off (Do as step 5.).

- 7 Turn the jog dial to set the volume you want, and press YES•ENTER.



- 8 Press STANDBY.

“TIMER” lights up; the player enters the standby mode.

At the preset time, the power will go on and music will play. Then the power will go off at the preset time, and the player will enter the standby mode again.

To check/change the waking up timer settings

Press **CLOCK/SLEEP/TIMER** until "Timer Set" appears in the display, then press **YES•ENTER**. Each time you press **YES•ENTER**, a stored setting is displayed in the set order. To change the setting, display the setting you want to change and re-enter it.

To use the player before a timer playback starts

If you turn on the player, you can use it as usual (in case of the radio, if you listen to the station which is different from the one you tuned in step 1 on page 36, you will hear that station at the preset time). Turn off the player before the preset time.

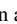
To stop play

Turn off the power.

Notes

- You cannot preset waking up timer and recording timer (page 38) at the same time.
- When playing the sound of the component connected to the **LINE IN** jack of the player, refer to the operating instructions of the component.

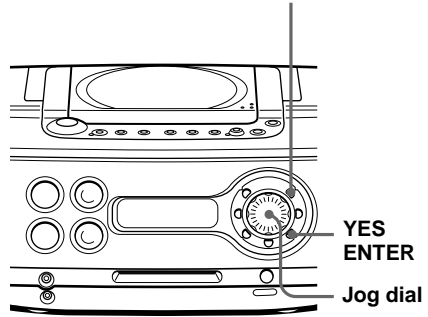
Tips

- If you made a mistake, press **NO•CANCEL**. The setting entered last will be cleared. Re-enter it.
- To exit the standby mode, press **STANDBY** to make "TIMER" disappear from the display.
- The preset settings remain until you reset them.
- As long as the  indication appears in the display, the player is in timer mode.

Falling asleep to music

You can set the player to turn off automatically after 10, 20, 30, 60, 90 and 120 minutes, allowing you to fall asleep while listening to music.

CLOCK/SLEEP/TIMER



- 1 Play the music source you want.
- 2 Press **CLOCK/SLEEP/TIMER** until "Sleep Set" appears in the display, and press **YES•ENTER**.
- 3 Turn the jog dial to select the minutes for the sleeping timer.

The indication changes as follows:
"60" → "90" → "120" → Off →
"10" → "20" → "30".



If 8 seconds have passed after you turn the jog dial, the minutes in the display are entered.

The preset time has passed, the player goes off automatically.

continued

Falling asleep to music (continued)

To cancel the sleep function

- 1 Press **CLOCK/SLEEP/TIMER** until “Sleep Set” appears in the display, and press **YES•ENTER**.
- 2 Turn the jog dial to select “Off”.

To change the preset time
Do the steps 2 and 3 again.

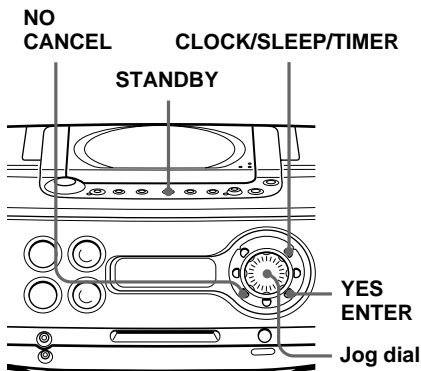
Tips

- You can combine the waking up timer with the sleeping timer. Set the waking up timer first (page 36), turn on the player, and then set the sleeping timer.
- You can prepare the different music for the waking up timer and the sleeping timer. However, you cannot store different radio stations.
- You can set different volume for the waking up timer and the sleeping timer. For instance, you can sleep at lower volume and wake up at higher volume.

Timer-recording radio programmes

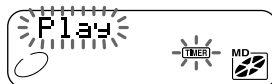
You can set timer to record the radio at a certain time. You can also record from the component connected to the **LINE IN** jack of the player.

Make sure you have set the clock (see “Setting the clock” on page 35).



Before you begin, make sure “**TIMER**” is not displayed. If displayed, press **STANDBY**.

- 1 Tune in the radio station and insert an MD.
- 2 Press **CLOCK/SLEEP/TIMER** until “Timer Set” appears in the display, and press **YES•ENTER**. “**TIMER**” flashes in the display. Make the following settings by checking the indications in the display.



- 3 Turn the jog dial until “**Stereo REC**” or “**Mono REC**” flashes in the display, and press **YES•ENTER**.

- 4** Turn the jog dial until “RADIO→MD” flashes in the display, and press YES•ENTER.

When recording from the component connected to the LINE IN jack of the player, turn the jog dial until “LINE→MD” flashes in the display, and press YES•ENTER.



- 5** Set the timer to the hour and the minutes you want to start recording.

- ① Turn the jog dial to set the hour and press YES•ENTER.



- ② Turn the jog dial to set the minutes, and press YES•ENTER.

- 6** Set the timer to the hour and the minutes you want to stop recording. (Do as step 5.)

- 7** Turn the jog dial to set the volume you want, and press YES•ENTER.

- 8** Press STANDBY.

“TIMER” is displayed, and the player enters the standby mode.

At the preset time, the power will go on and the recording will start. Then the power will go off at the preset time, and the player will enter the standby mode again.

To check/change the recording timer settings

Press CLOCK/SLEEP/TIMER until “Timer Set” appears in the display, then press YES•ENTER. Each time you press YES•ENTER, a stored setting is displayed in the set order. To change the setting, display the setting you want to change and re-enter it.

To use the player before a timer-recording starts

If you turn on the player, you can use it as usual (in case of the radio, if you listen to the station which is different from the one you tuned in step 1 on page 38, you will hear that station at the preset time). Turn off the player before the preset time.

To stop timer-recording

Turn off the power.

Notes

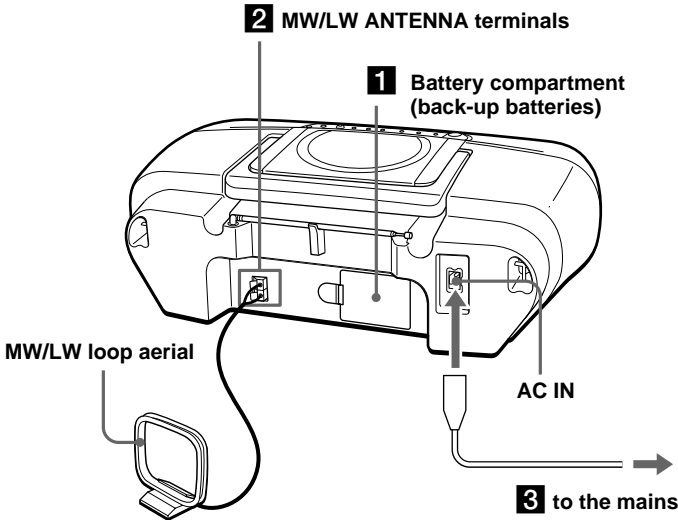
- You cannot preset recording timer and waking up timer (page 36) at the same time.
- When recording from the component connected to the LINE IN jack of the player, refer to the operating instructions of the component.

Tips

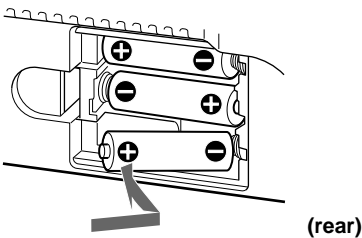
- If you made a mistake, press NO•CANCEL. The setting entered last will be cleared. Re-enter it.
- To exit the standby mode, press STANDBY to make “TIMER” disappear from the display.
- The preset settings remain until you reset them.
- As long as the ⏰ indication appears in the display, the player is in timer mode.

Preparing the system

According to the illustrations, connect the cords firmly. Wrong connections cause malfunctions. Connect the mains lead last.



- 1** Inserting the back-up batteries
 Insert three R6 (size AA) batteries (not supplied) into the battery compartment. These batteries work to save the memory data.



Insert three R6 (size AA) batteries (not supplied).

Replacing batteries

With normal use, the batteries should last for about one year.

Replace all the batteries with new ones at intervals of about one year.

Note

Be sure to turn off the power of the player before connecting/disconnecting the mains lead or removing/inserting batteries.

- 2** Hooking up the aerial

- Strip the coating from the end of the cable and twist the wires.



- Connect the wires to the terminals.

MW/LW loop aerial* (supplied)



* Reorient the aerial to improve broadcast reception.

Setting up the MW/LW loop aerial



Note

Keep the MW/LW loop aerial away as far as possible from the player. If you do not, noise may be heard.

3 Connecting the mains lead

Insert one end of the supplied mains lead to the AC IN socket located at the rear of the player, and the other end to the mains.

Changing the MW tuning interval

If you need to change the MW tuning interval (preset to 9 kHz at the factory), do the following:

- 1 Press RADIO BAND•AUTO PRESET until “MW” is displayed.
- 2 Press YES•ENTER for 2 seconds.
- 3 Press RADIO BAND•AUTO PRESET for 2 seconds.
“MW 9” or “MW 10” flashes.
- 4 Turn the jog dial to select “MW 9” for 9 kHz interval or “MW 10” for 10 kHz interval.
- 5 Press YES•ENTER.

After changing the tuning interval, you need to reset your preset MW radio stations.

About the demonstration mode

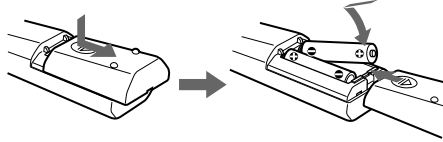
The player enters the demonstration mode about 10 seconds after you connect the mains lead to the mains outlet. Demonstration indications such as “Demonstration Mode” appear in the display one after another.

The player also enters the demonstration mode if you do not operate the player for about one minute after you turned it on. To exit the demonstration mode, set the clock of the player (page 35), or press NO•CANCEL for about 2 seconds.

Tip

The sound quality may be changed depending on the polarity of the mains plug. Change the direction of inserting the plug and check the sound quality.

4 Inserting batteries into the remote



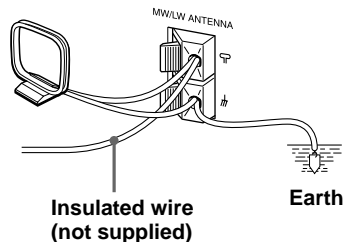
Insert two R6 (size AA) batteries (not supplied).

Replacing batteries

With normal use, the batteries should last for about six months. When the remote no longer operates the player, replace all the batteries with new ones.

To improve the MW/LW reception

Connect a 6- to 15-meter (20- to 50 feet) (not supplied) insulated wire to the MW/LW ANTENNA terminal. Keep the wire as horizontal as possible near the window or outdoor. You do not need to disconnect the supplied MW/LW loop aerial.

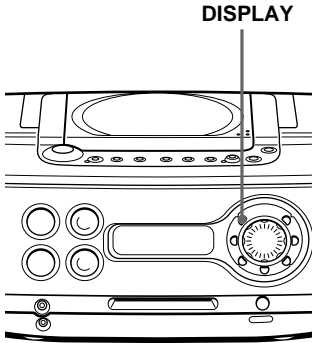


Important

When you use an outdoor aerial, be sure to connect the ⚡ terminal to earth against lightning. To prevent a gas explosion, do not connect the ground wire to a gas pipe.

Adjusting the contrast of the display

You can adjust the contrast of the display.

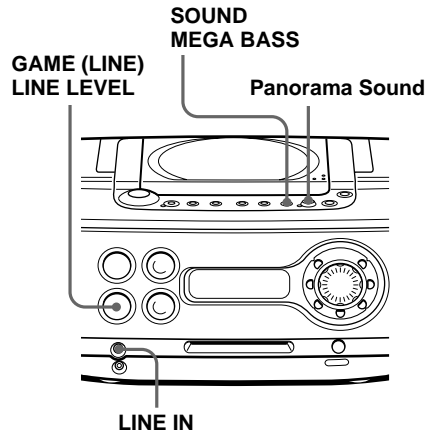


- 1 When power is turned off, press and hold DISPLAY for about 2 seconds. "Contrast" appears in the display.
- 2 Turn the jog dial to adjust the contrast of the display. You can adjust the contrast in the range of -7 and +7.

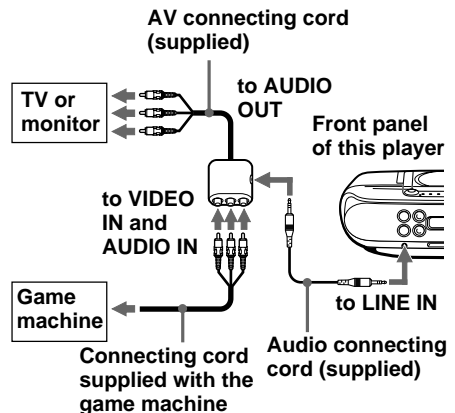
Connecting a game machine or other optional components

You can enjoy the sound from a game machine or TV, etc. through the speakers of this player.

Be sure to turn off the power of each component before making connections. For details, refer to the instructions of the component to be connected.



Connecting a game machine

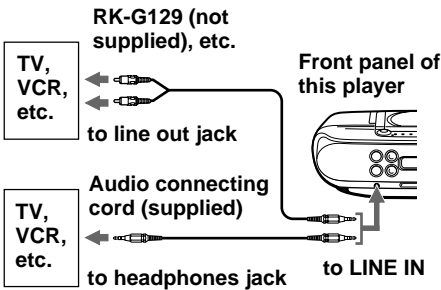


- 1 Connect the supplied AV connecting cord to the game machine and the TV or monitor.
- 2 Connect the supplied audio connecting cord to the supplied AV connecting cord and the LINE IN jack of this player.
- 3 Press GAME (LINE)•LINE LEVEL until “GAME (LINE)” appears in the display.
- 4 Start the operation of the game machine.
- 5 Press Panorama Sound to select the sound quality you want.

Note

When the supplied audio connecting cord is connected to the supplied AV connecting cord, you cannot listen to the sound from the TV or monitor.

Connecting a TV or a VCR



After finishing the connections, turn on the player, and press GAME (LINE)•LINE LEVEL to display “GAME (LINE)”.

Note

Connect the cords firmly to avoid any malfunction.

Recording the sound from the connected components

- 1 Insert a recordable MD.
- 2 Press GAME (LINE)•LINE LEVEL to display “GAME (LINE)”.
- 3 Press REC•REC MODE.
The player stands by for recording.
- 4 Press MD ►||.
Recording starts.
- 5 Play the optional component connected to the LINE IN jack of the player.

Tip

If there is no sound input for more than 2 seconds during recording, a track mark is stamped automatically.

If the volume of the component connected to the LINE IN jack is too high
Press GAME (LINE)•LINE LEVEL repeatedly to display “Level: High” (“Level: Normal” under the normal conditions) or reduce the volume of the connected component.

Precautions

On safety

- As the laser beam used in the CD and MD player section is harmful to the eyes, do not attempt to disassemble the casing. Refer servicing to qualified personnel only.
- Should any solid object or liquid fall into the player, unplug the player, and have it checked by qualified personnel before operating it any further.

On power sources

- The player is not disconnected from the AC power source (mains) as long as it is connected to the wall outlet, even if the player itself has been turned off.
- When the batteries are not to be used, remove them to avoid damage that can be caused by battery leakage or corrosion.
- The nameplate indicating operating voltage, power consumption, etc. is located at the bottom.

On placement

- Do not leave the player in a location near heat sources, or in a place subject to direct sunlight, excessive dust or mechanical shock.
- Do not place the player on an inclined or unstable place.
- Do not place anything within 10 mm of the side of the cabinet. The ventilation holes must be unobstructed for the player to operate properly and prolong the life of its components.
- If the player is left in a car parked in the sun, be sure to choose a location in the car where the player will not be subjected to the direct rays of the sun.
- Since a strong magnet is used for the speakers, keep personal credit cards using magnetic coding or spring-wound watches away from the player to prevent possible damage from the magnet.

On operation

- If the player is brought directly from a cold to a warm location, or is placed in a very damp room, moisture may condense on the lenses inside the CD and MD player section. Should this occur, the player will not operate properly. In this case, remove the CD or MD and wait about an hour for the moisture to evaporate.

If you have any questions or problems concerning your player, please consult your nearest Sony dealer.

Notes on CDs

- Before playing, clean the CD with a cleaning cloth. Wipe the CD from the centre out.

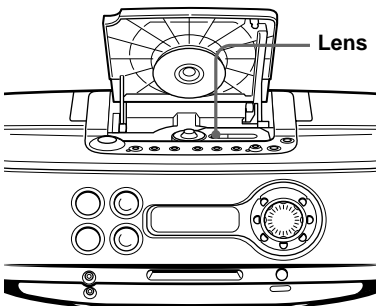


- Do not use solvents such as benzene, thinner, commercially available cleaners or anti-static spray intended for vinyl LPs.
- Do not expose the CD to direct sunlight or heat sources such as hot air ducts, nor leave it in a car parked in direct sunlight as there can be a considerable rise in temperature inside the car.
- Do not stick paper or sticker on the CD, nor scratch the surface of the CD.
- After playing, store the CD in its case.

If there is a scratch, dirt or fingerprints on the CD, it may cause tracking error.

Cleaning the lens

If the lens becomes dirty, it may cause a skipping of sound during CD operation. Clean with a commercially available blower.



Cleaning the cabinet

Clean the cabinet, panel and controls with a soft cloth slightly moistened with a mild detergent solution. Do not use any type of abrasive pad, scouring powder, or solvent, such as alcohol or benzene.

Notes on MDs

- Do not open the shutter to expose the MD. Close the shutter immediately if the shutter opens.



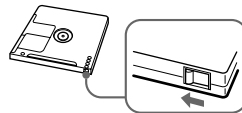
Shutter Cartridge

- Wipe the disc cartridge with a dry cloth to remove dirt.
- Affix the label supplied with the MD only to the specified label indentation. Do not affix the label around the shutter or in other locations. Note that the shape of the indentation depends on the MD.

Protecting a recorded MD

To record-protect an MD, slide open the tab at the side of the MD (so the tab is concealed).

In this position, the MD cannot be recorded. To record on the MD, slide close the tab.



Slide open the tab.

System limitations of the MD

The recording system in your MiniDisc recorder is radically different from those used in cassette and DAT decks and the system has limitations described below. Note, however, that these limitations are due to the inherent nature of the MD recording system itself and not to mechanical causes.

"Disc Full" appears in the display even before the MD has reached the maximum recording time (60, 74 or 80 minutes).

When 255 tracks have been recorded on the MD, "Disc Full" appears regardless of the total recorded time. More than 255 tracks cannot be recorded on the MD. To continue recording, erase unnecessary tracks.

"Disc Full" appears in the display even before the MD has reached the maximum track number or recording time.

Repeated recording and erasing may cause fragmentation and scattering of data. Although those scattered data can be read, each fragment is counted as a track. In this case, the number of tracks may reach 255 and further recording is not possible. To continue recording, erase unnecessary tracks.

The remaining recording time does not increase even after erasing numerous short tracks.

Tracks under 12 seconds long are not counted, so erasing them may not increase the recording time.

Some tracks cannot be combined with others.

Track combination may become impossible when tracks are under 12 seconds long.

The track recorded in stereo and that recorded in monaural cannot be combined.

The total recorded time and the remaining time on the MD may not reach the maximum recording time (60, 74 or 80 minutes).

Recording is done in minimum units of 2 seconds each, no matter how short the material. The contents recorded may thus be shorter than the maximum recording capacity. Disc space may also be further reduced by scratches.

The sound may dropout while fast-forwarding or rewinding the edited tracks.

Tracks created through editing may exhibit sound dropout during fast-forwarding or rewinding because high-speed playback takes time to search for the position on the disc when the tracks are scattered on the disc.

Guide to the serial copy management system

Digital audio equipment such as CDs, MDs, DATs, etc., copy music easily with high quality, for these products process music as a digital signal. The Serial Copy Management System allows you to make only a single copy of a recorded digital source through digital-to-digital connections because music programmes may be copyrighted.

This system is applied to this player.

You can make only a first-generation copy* through a digital-to-digital connection.

That is:

- 1** You can make a copy of a digital sound programme on the market such as CDs, MDs, etc., but you cannot make a second copy from the first-generation copy.
- 2** You can make a copy of a digital signal from a digitally-recorded analog sound programme on the market such as an analog record, music cassette tape, etc., or from digital satellite broadcasts, but you cannot make a second copy.

Note

No restrictions apply when a digital signal is recorded as an analog signal (that is, when a digital signal is recorded through analog-to-analog connection).

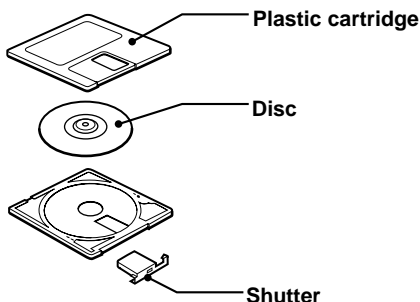
* A first-generation copy is a digital recording of a digital signal made on digital audio equipment through a digital-to-digital connection.

Getting to know the MD

Structure

The 2.5-inch MiniDisc (MD) is compact and easy to handle requiring less care as it is encased in a plastic cartridge that looks like a 3.5-inch diskette (see illustrations below).

Parts making up an MiniDisc



Disc variation

MDs come in two types: pre-mastered (pre-recorded) and recordable (blank). Pre-mastered MDs cannot be recorded on or over like cassette tapes. To record, you must use a "recordable MD".

Pre-mastered MDs

Pre-mastered MDs are recorded and played like regular CDs. A laser beam focusses on the pits on the surface of the MD and reflects the information back to the lens in the recorder. The recorder then decodes the signals and plays them back as music.



continued

Getting to know the MD (continued)

Recordable MDs

Recordable MDs, which use magneto-optical (MO) technology, can be recorded again and again. The laser inside the recorder applies heat to the MD, demagnetizing the magnetic layer of the MD. The recorder then applies a magnetic field to the layer. This magnetic field corresponds exactly to the audio signals generated by the connected source. (The north and south polarities equate to digital “1” and “0”). The demagnetised MD adopts the polarity of the magnetic field, resulting in a recorded MD.



Features

Long recording

The MD uses a new digital audio compression technology called Adaptive TRansform Acoustic Coding (ATRAC). To store more sound in less space, ATRAC extracts and encodes only those frequency components actually audible to the human ear.

Quick random access

Like CDs, MDs offer instantaneous random access to the beginning of any music track. Pre-mastered MDs are recorded with location addresses corresponding to each music track.


Shock-resistant memory

One major drawback of optical read systems is that they skip or mute the sound when subject to vibration. The MD system resolves this problem by using a buffer memory that stores audio data.

Troubleshooting

General

There is no audio.

- Press OPERATE to turn on the player.
- Connect the mains lead securely.
- Adjust the volume.
- Unplug the headphones from the  jack when listening through speakers.
- Wait until “TOC Reading” disappears from the display.

The picture of your TV becomes unstable.

- Move the player away from the TV.

Various indications appear in the display one after another.

- The player is in the demonstration mode.
→ Set the clock, or press NO•CANCEL for about 2 seconds to exit the demonstration mode.

Noise is heard.

- Someone is using a portable telephone or other equipment that emits radio waves near the player.
→ Move the portable telephone, etc., away from the player.

CD Player

The CD does not play./“No Disc” lights in the display even when a CD is in place.

- Make sure that the CD compartment is closed.
- Place the CD with the label surface up.
- Clean the CD.
- Take out the CD and leave the CD compartment open for about an hour to dry moisture condensation.
- A CD-RW cannot be played on this player.

The sound drops out.

Noise is heard.

- Reduce the volume.
- Clean the CD, or replace it if the CD is damaged.
- Place the player in a location free from vibration.
- The sound may drop out or noise may be heard if the CD is recorded using a personal computer (CD-R, etc.).

MD Player

An incompletely inserted MD cannot be pulled out.

- The MD player's self-lock system has gripped the MD. Insert the MD completely, then press ▲.

"Disc Error" lights in the display and the player does not operate.

- Take the MD out and insert it again. If "Disc Error" remains, replace the MD. Try erasing all tracks on the MD (page 26).

"--:--" appears in the display instead of the playing time or the remaining time.

- This player can display the time up to 159 minutes 59 seconds. If the time is longer than this, it will be displayed as "--:--".

The MD does not play.

- Take out the MD and leave the player in a warm place for several hours until the moisture evaporates.
- The MD is inserted in the wrong direction. Slide the MD into the disc compartment with the label side up and the arrow pointing towards the opening until the player grips it.
- The MD may be blank (the music calendar does not appear). Replace the disc with one that has been recorded.

The MD does not record.

- The MD is record-protected ("Protected" appears). Close the record-protect slot.
- The track has been protected using another MD recorder ("Trk Protect" appears). Release the track-protect on the same MD recorder that protected the track.
- The player is not connected properly to the sound source. Make connections properly to the sound source.
- A pre-mastered MD is inserted. Replace it with a recordable MD.
- There is not enough space left on the MD. Replace it with another recordable MD with enough space, or erase unnecessary tracks.
- There has been a power failure. The mains lead has been disconnected. Data recorded to that point may be lost. Repeat the recording procedure.

The recorded sound drops out.

- The sound was recorded at high volume. Record again at lower volume.

Radio

A stereo programme cannot be received in stereo.

- Press MODE until "Stereo" appears in the display (page 11).

The audio is weak or has poor quality.

- The FM stereo broadcast may be noisy (page 11).
- Move the player away from the TV.
- If you are using the remote while listening to an MW/LW radio, noise may be heard. This is unavoidable.
- Move the MW/LW loop aerial away from the player.

Timer

The timer does not operate.

- Make sure the time on the clock is correct.
- Check to see if the AC power had been cut off.
- Make sure "TIMER" appears in the display.
- Check and change the preset start/stop time if both times are set to the same time.

continued

Remote

The remote does not function.

- Replace all the batteries in the remote with new ones if they are weak (page 41).
 - Make sure that you are pointing the remote at the remote sensor on the player.
 - Remove any obstacles in the path of the remote and the player.
 - Make sure the remote sensor is not exposed to strong light such as direct sunlight or fluorescent lamp light.
 - Move closer to the player when using the remote.
-

Operation may become unstable depending on the power supply or other causes because this player employs a microcomputer to link each operation.

If problems not described above occur, disconnect the mains lead from the wall outlet, and connect it to the wall outlet again after about 20 seconds. If the problem persists, press and hold MODE, NO•CANCEL and YES•ENTER in that order. (In this case, clock set, timer or preset radio stations are reset to the initial settings. Set these items again if needed.) If the problem still persists, please consult your nearest Sony dealer.

Error messages

If a problem occurs, one of the following error messages may flash in the display window.

This message will flash	If
Blank Disc	you try to play an MD with no recording on it.
Cannot Edit	you try to use the combine function on the first track of the MD.
Disc Error	you inserted a damaged MD or an MD missing a TOC (information on recording contents).
Disc Full	there is no more space for recording or editing on the MD. (See "System limitations of the MD" on page 46.)
Error	you try to programme the 21st track. You can programme up to 20 tracks. you try to record the shuffle play of the CD using synchronized recording function. you try to make the player enter the timer standby mode though you have not set the clock.
Name Full	the labelling capacity of the MD has reached its limit. Each label can be made up of up to 100 characters. You can input up to about 1,700 characters into each MD.
No Disc	you try to play or record with no CD or MD in the player.
No MD	you try to play or record with no MD in the player (in case of synchronized recording, etc.).
PB Disc	you try to record or edit on a pre-mastered MD (PB means playback).
Protected	you try to record or edit on an MD with the tab in the record-protect position.
Sorry	you try to edit, ignoring the system limitations of the MD. (See page 46.)
Trk Protect	you try to record or edit a track that has been already protected using other MD recorders.

Specifications

CD player section

System

Compact disc digital audio system

Laser diode properties

Material: GaAlAs

Wave length: 785 nm

Emission duration: Continuous

Laser output: Less than 44.6 μ W

(This output is the value measured at a distance of about 200 mm from the objective lens surface on the optical pick-up block with 7 mm aperture.)

Spindle speed

200 r/min (rpm) to 500 r/min (rpm) (CLV)

Number of programme positions

2

Frequency response

20 - 20 000 Hz +1/-2 dB

Wow and flutter

Below measurable limit

Radio section

Frequency range

FM: 87.5 - 108 MHz

MW: 531 - 1 602 kHz (9 kHz step)

530 - 1 610 kHz (10 kHz step)

LW: 153 - 279 kHz

IF FM: 10.7 MHz

MW/LW: 450 kHz

Aerials

FM: Telescopic aerial

MW/LW: External aerial terminals

MD player section

System

Minidisc digital audio system

Disc

MiniDisc

Laser diode properties

Material: GaAlAs

Wave length: 785 nm

Emission duration: Continuous

Laser output: Less than 44.6 μ W

(This output is the value measured at a distance of about 200 mm from the objective lens surface on the optical pick-up block with 7 mm aperture.)

Recording/playback time

Stereo recording:

Maximum 80 minutes (with MDW-80)

Monaural recording:

Maximum 160 minutes (with MDW-80)

Revolutions

400 rpm to 900 rpm (CLV)

Error correction

Advanced Cross Interleave Reed Solomon Code (ACIRC)

Sampling frequency

44.1 kHz

Coding

Adaptive TTransform Acoustic Coding (ATRAC)

Modulation system

EFM (Eight-to-Fourteen Modulation)

Number of programme positions

2 stereo programme positions

Frequency response

20 - 20 000 Hz +1/-2 dB

Signal-to-noise ratio

Over 80 dB (during playback)

Wow and flutter

Below measurable limit

General

Speaker

Full-range: 8 cm (3 1/4 in.) dia., 4 Ω cone type (2)

Panorama sound: 5 cm (2 in.) dia., 12 Ω cone type (2)

Inputs

LINE IN (stereo minijack): Sensitivity 436 mV/870 mV

Outputs

Headphones jack (stereo minijack) (1):

For 32 Ω impedance headphones

Maximum power output

Full-range: 8 W

Panorama sound: 3.4 W

Power requirements

For personal minidisc system:

230 V AC, 50 Hz

For back-up memory:

4.5 V DC, 3 R6 (size AA) batteries

For remote control:

3 V DC, 2 R6 (size AA) batteries

Power consumption

26 W

Dimensions (incl. projecting parts)

approx. 475 \times 165.5 \times 249 mm (w/h/d)

(18 3/4 \times 6 5/8 \times 9 7/8 inches)

Mass

approx. 4.6 kg (10 lb. 2 oz)

Supplied accessories

Mains lead (1)

Remote control (1)

MW/LW loop aerial (1)

AV connecting cord (1)

Audio connecting cord (1)

Optional accessories

Sony MDR headphone series

U.S. and foreign patents licensed from Dolby Laboratories Licensing Corporation.

Design and specifications are subject to change without notice.

Index

A

- Adjusting
 - bass 34
 - contrast 42
 - volume 5, 9, 11
- ATRAC 48
- AUTO PRESET 17

B

- Batteries
 - for back-up memory 40
 - for remote control 41

C

- CD player 12
- Checking playing time
 - a CD 12
 - an MD 12
- Cleaning 45
- Clock 35
- Combine function 28
- Connection
 - aerial 40
 - mains lead 41
 - optional components 42
- Creating your own programme 15

D

- Demonstration mode 41
- Display 12
- Divide function 27

E, F

- Editing 25
- Erase function 25
- Error message 51

G

- Getting to know the MD 47

H

- Hookups. See Connection

I, J, K

- Improving broadcast reception 11

L

- Listening to the radio 10
- Locating a specific point on a track 13
- Locating a specific track 13

M

- MD player 12
- MEGA BASS 34
- Monaural recording 22
- Move function 29

N, O

- Name function 30

P, Q

- Panorama Sound 34
- Playing
 - a CD 4
 - an MD 8
 - preset radio stations 18
 - tracks repeatedly 14
- Power sources 41
- Presetting radio stations 17
- Programme Play 15

R

- Radio stations
 - playing 10
 - presetting 17
- Recording
 - a CD 6, 21
 - on an MD 6, 19 - 23, 38
- Repeat Play 14

S

- Serial copy management system 46
- Setting up 40
- Shuffle play 15
- System limitations 46

T

- Timer
 - playback 36
 - recording 38
- Troubleshooting 48

U, V, W, X, Y, Z

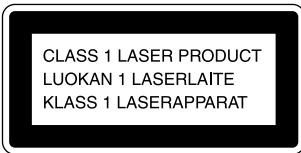
- Using
 - the display 12

Advertencia

Para evitar el riesgo de incendios o electrocución, no exponga el reproductor a la lluvia ni a la humedad.

Para evitar descargas eléctricas, no abra el aparato. Solicite asistencia técnica sólo a personal especializado.

Información



Este reproductor de discos compactos y minidiscos está clasificado como producto láser de Clase 1.

La etiqueta CLASS 1 LASER PRODUCT está situada en la parte inferior.

Advertencia

No instale el aparato en un espacio cerrado, como una estantería para libros o un armario empotrado.

Índice

Operaciones básicas

Reproducción de CD	4
Grabación de un CD completo (Grabación sincronizada)	6
Reproducción de MD	8
Recepción de la radio	10

Reproductor de CD• Reproductor de MD

Uso del visor	12
Localización de una pista específica	13
Reproducción de pistas de forma repetida (Reproducción repetida)	14
Reproducción de pistas en orden aleatorio (Reproducción aleatoria)	15
Creación de su propio programa (Reproducción de programa)	15

Radio

Memorización de emisoras de radio	17
Sintonización de emisoras memorizadas	18

Grabación

Grabación de la pista que escucha (Grabación sincronizada de una sola pista – REC IT)	19
Grabación de pistas programadas (Grabación sincronizada de pistas programadas)	20
Grabación de la radio o un CD	21
Ampliación del tiempo de grabación (Grabación monofónica)	22
Grabación en un MD grabado	24

Edición de pistas grabadas del MD

Antes de editar	25
Borrado de grabaciones (Función de borrado)	25
División de una pista grabada en dos pistas (Función de división)	27
Combinación de dos pistas adyacentes en una sola (Función de combinación)	28
Desplazamiento de pistas grabadas (Función de desplazamiento)	29
Etiquetado de grabaciones (Función de nombre)	30

Énfasis de sonido

Selección del énfasis de sonido	34
---------------------------------------	----

Temporizador

Ajuste del reloj	35
Activación automática del sistema	36
Desactivación automática del sistema	37
Grabación de programas de radio con el temporizador	38

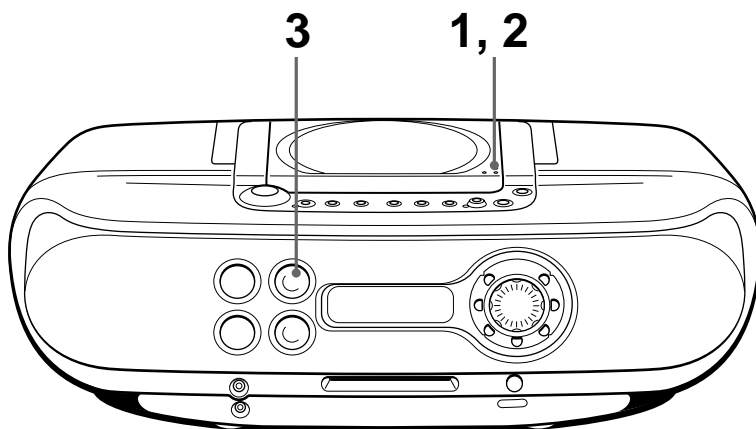
Instalación

Preparación del sistema	40
Ajuste del contraste del visor	42
Conexión de una consola de juegos u otros componentes opcionales	42

Información complementaria

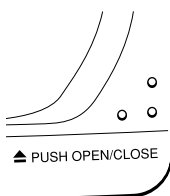
Precauciones	44
Limitaciones de sistema del MD	46
Descripción del MD	47
Solución de problemas	48
Mensajes de error	51
Especificaciones	52
Índice alfabético	53

Reproducción de CD

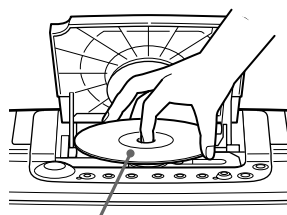


Con respecto a las instrucciones de conexión, consulte las páginas 40 y 41.

1

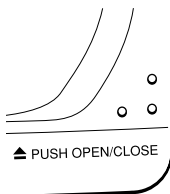


Pulse ▲ PUSH OPEN/CLOSE para abrir el compartimento de CD y coloque el CD en dicho compartimento.

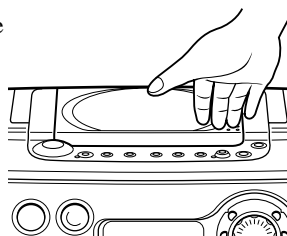


Con el lado de la etiqueta hacia arriba

2



Cierre la tapa del compartimento de CD.



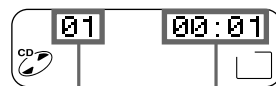
3



Pulse CD ►► (CD ►► en el mando a distancia).

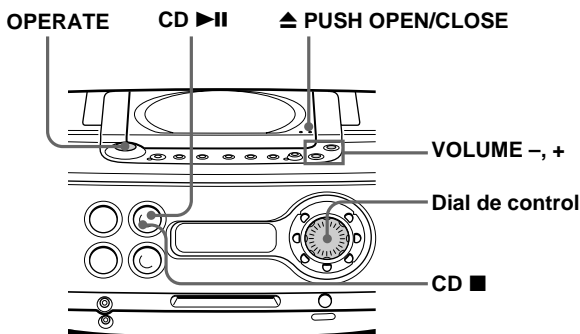
El reproductor se enciende (activación directa) y reproduce todas las pistas una vez.

Visor



Número de pista Tiempo de reproducción

Utilice estos botones para realizar operaciones adicionales

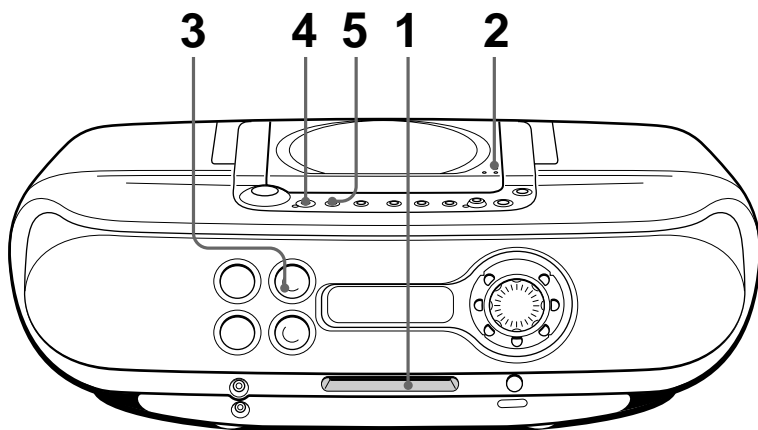


Consejo

La próxima vez que desee escuchar un CD, bastará con pulsar CD ►||. El reproductor se encenderá automáticamente y comenzará a reproducirlo.

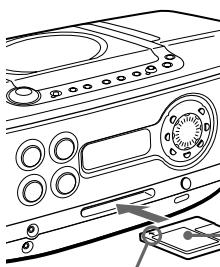
Para	Realice lo siguiente
ajustar el volumen	Pulse VOLUME +, – (VOL +, – en el mando a distancia).
detener la reproducción	Pulse CD ■.
introducir pausas durante la reproducción	Pulse CD ► (CD ► en el mando a distancia). Vuelva a pulsar el botón para reanudar la reproducción tras la pausa.
pasar a la pista siguiente	Gire el dial de control en el sentido de las agujas del reloj. (En el mando a distancia, pulse ►►.)
retroceder a la pista anterior	Gire el dial de control en el sentido contrario a las agujas del reloj. (En el mando a distancia, pulse ◄◄.)
extraer el CD	Pulse ▲ PUSH OPEN/CLOSE.
encender/apagar el reproductor	Pulse OPERATE.

Grabación de un CD completo (Grabación sincronizada)



Con respecto a las instrucciones de conexión, consulte las páginas 40 y 41.

1



Inserte un MD grabable (activación directa).

Con el lado de la etiqueta hacia arriba

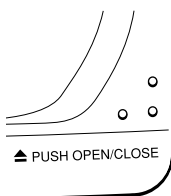
Insértelo en la dirección de la flecha.

Visor



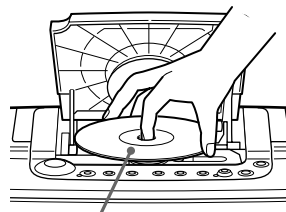
Tras mostrarse "TOC Reading", aparece el nombre del disco si está etiquetado.

2



Pulse ▲ PUSH OPEN/CLOSE y coloque el CD en el compartimiento de CD.

Pulse ▲ PUSH OPEN/CLOSE de nuevo para cerrar la tapa del compartimiento de CD.

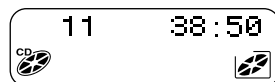


Con el lado de la etiqueta hacia arriba

3

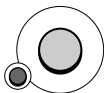


Pulse CD ■.



4

HIGH SPEED



Para grabar a alta velocidad, pulse HIGH SPEED.

El indicador se ilumina.

Para grabar a velocidad normal, omita este paso.

5

SYNCHRO REC

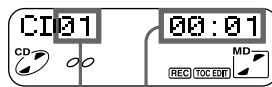


CD ► MD

Pulse SYNCHRO REC CD ► MD.

El reproductor inicia la grabación automáticamente.

Si el MD contiene alguna grabación anterior, la grabación se realizará a partir de la última posición grabada.



Número de pista del CD
Tiempo de reproducción del CD

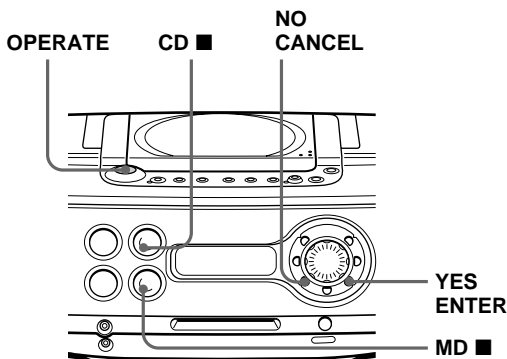
Notas

- **TOC EDIT** Tras detener la grabación, no desconecte el cable de corriente ni mueva el reproductor mientras "TOC EDIT" parpadea en el visor. Si lo hace, la grabación puede no realizarse correctamente.
- Cuando grabe un CD completo, no será posible introducir pausas durante la grabación.

Consejos

- El ajuste del volumen o del énfasis de sonido (página 34) no afectará al nivel de grabación. Mantenga el volumen a un nivel moderado para evitar saltos de sonido.
- Para grabar sobre la grabación anterior, consulte la página 24.
- Una vez ajustado el reloj, la fecha y hora de grabación se registran automáticamente (página 35).
- Puede etiquetar el MD o la pista durante la grabación (página 30).

Utilice estos botones para realizar operaciones adicionales



Para	Pulse
detener la grabación	MD ■ o CD ■
encender/apagar el reproductor	OPERATE

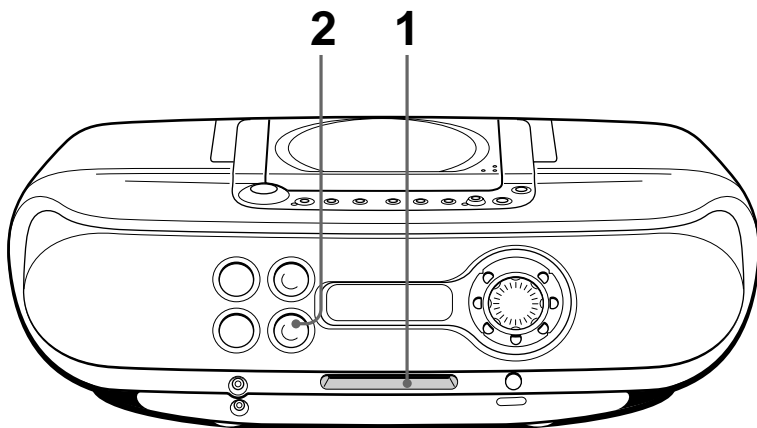
Si "CD>MD OK?" alterna con la indicación de tiempo

Significa que no hay suficiente espacio en el MD para grabar el CD completo.

Si basta con grabar lo más posible y cancelar la grabación de algunas pistas, pulse YES•ENTER. Para detener la grabación, pulse NO•CANCEL.

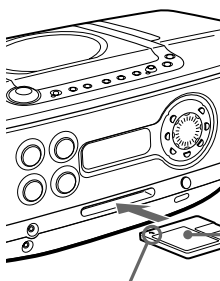
Si aparece cualquier otro mensaje, consulte la página 51.

Reproducción de MD



Con respecto a las instrucciones de conexión, consulte las páginas 40 y 41.

1



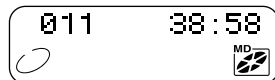
Inserte el MD (activación directa).

Visor



Tras mostrarse "TOC Reading", aparece el nombre del disco si está etiquetado.

Insértelo en la dirección de la flecha.



2

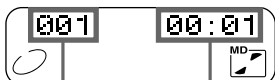


Pulse MD >>|| (MD >> en el mando a distancia).

El reproductor reproduce todas las pistas una vez.



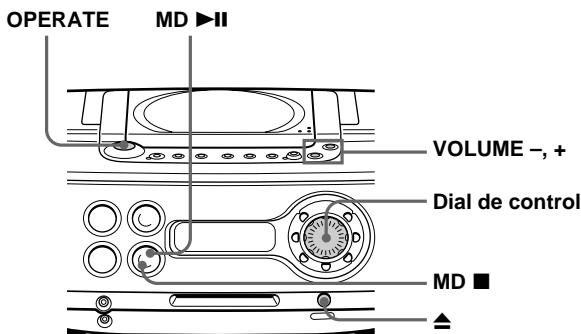
El nombre de la pista aparecerá si está etiquetado.



Número de pista

Tiempo de reproducción

Utilice estos botones para realizar operaciones adicionales

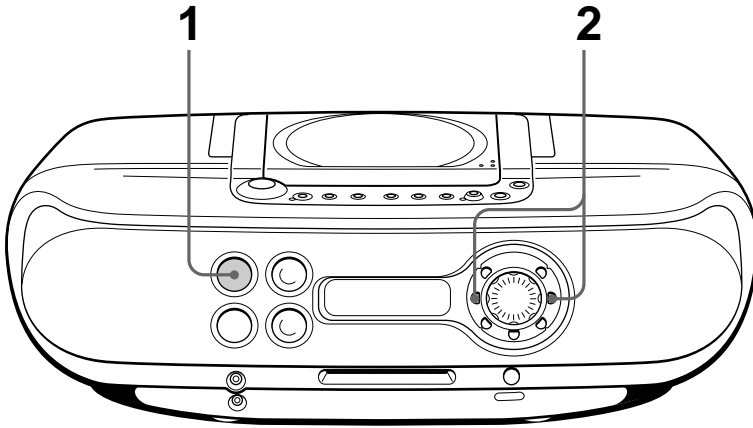


Consejo

La próxima vez que desee escuchar un MD, bastará con pulsar MD >||. El reproductor se encenderá automáticamente y comenzará a reproducirlo.

Para	Realice lo siguiente
ajustar el volumen	Pulse VOLUME +, - (VOL +, - en el mando a distancia).
detener la reproducción	Pulse MD ■.
introducir pausas durante la reproducción	Pulse MD > (MD en el mando a distancia). Vuelva a pulsar el botón para reanudar la reproducción tras la pausa.
pasar a la pista siguiente	Gire el dial de control en el sentido de las agujas del reloj. (En el mando a distancia, pulse >>>.)
retroceder a la pista anterior	Gire el dial de control en el sentido contrario a las agujas del reloj. (En el mando a distancia, pulse <<<.)
extraer el MD	Pulse ▲.
encender/apagar el reproductor	Pulse OPERATE.

Recepción de la radio



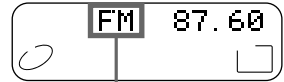
Con respecto a las instrucciones de conexión, consulte las páginas 40 y 41.

1



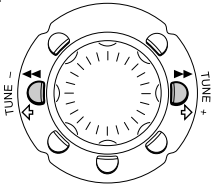
Pulse RADIO BAND•AUTO PRESET hasta que el visor muestre la banda que desee (activación directa).

Visor



Aparece FM”, “MW” o “LW”

2



Mantenga pulsado TUNE + o TUNE - hasta que los dígitos de frecuencia comiencen a cambiar en el visor.

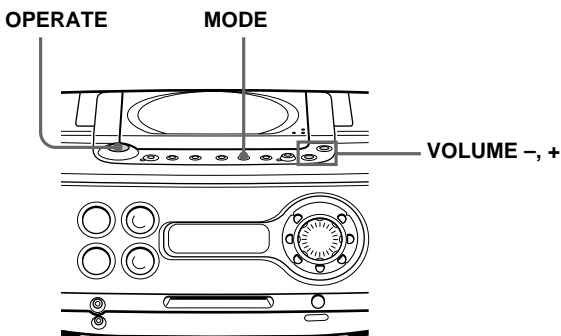
El reproductor explorará las frecuencias de radio y se detendrá automáticamente cuando encuentre una emisora de señal nítida.

Si no puede sintonizar alguna emisora, pulse TUNE + o TUNE - varias veces para que la frecuencia cambie intervalo a intervalo.



Indica una emisión de FM en estéreo

Utilice estos botones para realizar operaciones adicionales



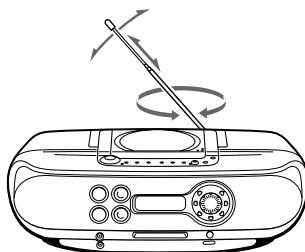
Consejos

- Si la emisión de FM se oye con ruido, pulse **MODE** hasta que "Mono" aparezca en el visor. La radio se oír en monofónico.
- La próxima vez que desee escuchar la radio, bastará con pulsar **RADIO BAND• AUTO PRESET**. El reproductor se encenderá automáticamente y sintonizará la emisora anterior.
- Si es preciso cambiar el intervalo de sintonización de MW (ajustado de fábrica en 9 kHz), consulte la página 41.

Para	Pulse
ajustar el volumen	VOLUME +, - (VOL +, - en el mando a distancia)
encender/apagar la radio	OPERATE

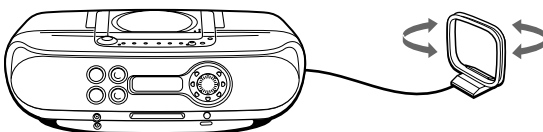
Para mejorar la recepción de la emisión FM:

Cambie la orientación de la antena.



MW/LW:

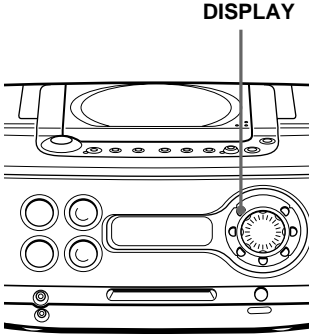
Mantenga la antena cerrada de MW/LW lo más alejada posible del reproductor y reorientela.



Si la emisión sigue recibiendo con ruido, conecte la antena externa (página 41).

Uso del visor

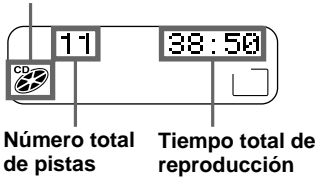
Es posible comprobar información sobre el CD y el MD mediante el visor.



Durante la parada (CD)

Aparece el número de pistas y tiempo de reproducción totales.

Indicación de CD



Durante la reproducción (CD)

Aparece el número de la pista actual y tiempo de reproducción.

Para comprobar el tiempo restante

Pulse DISPLAY.

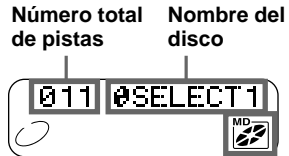
Para visualizar	Pulse DISPLAY
el número y tiempo restante de la pista actual	una vez
el número de pistas restantes y tiempo restante del CD	dos veces
el número de la pista actual y tiempo de reproducción (indicación normal)	tres veces

Nota

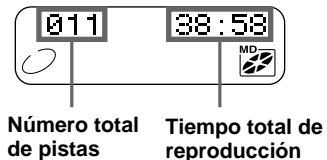
Durante la reproducción repetida (página 14), aleatoria (página 15) y de programa (página 15), el número de pistas restantes y el tiempo restante del CD no aparecen.

Durante la parada (MD)

Aparece el número de pistas y tiempo de reproducción totales.



↓
Indicación de MD



Para comprobar el tiempo restante de grabación del MD
Pulse DISPLAY.

Consejo

El nombre del disco sólo aparece con minidiscos electrónicamente etiquetados. Si los minidiscos no están etiquetados, el nombre de las pistas no aparecerá.

Durante la reproducción (MD)

El número y nombre de la pista actual aparecen primero y, a continuación, el número de la pista actual y el tiempo de reproducción.

Para comprobar el tiempo restante, fecha y hora de grabación, etc.

Pulse DISPLAY.

Para visualizar	Pulse DISPLAY
el número y nombre de la pista actual	una vez
el número y tiempo restante de la pista actual	dos veces
el número de pistas restantes y el nombre del disco	tres veces
el número de pistas restantes y tiempo restante del MD	cuatro veces
fecha y hora de grabación*	cinco veces
el número de la pista actual y tiempo de reproducción (indicación normal)	seis veces

* Una vez ajustado el reloj, la fecha y hora de grabación se registran automáticamente (página 35).

Consejo

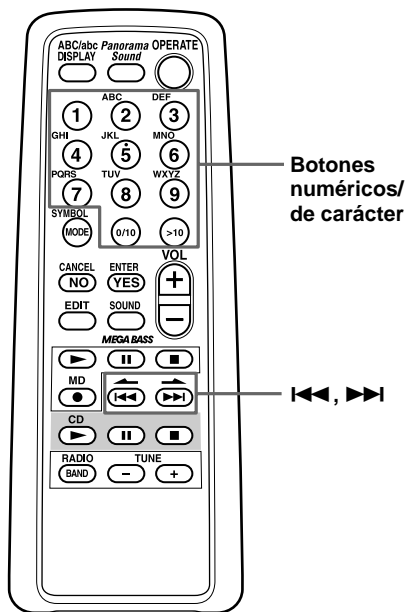
El nombre de las pistas sólo aparece con minidiscos electrónicamente etiquetados. Si los minidiscos no están etiquetados, el nombre de las pistas no aparecerá.

Nota

Durante la reproducción repetida (página 14), aleatoria (página 15) y de programa (página 15), el número de pistas restantes y el tiempo restante del MD no aparecen.

Localización de una pista específica

Puede localizar rápidamente cualquier pista de un CD o MD mediante los botones numéricos/de carácter del mando a distancia. También puede localizar un punto específico de una pista mientras se reproduce un CD o MD.



Reproductor de CD • Reproductor de MD

Para localizar	Pulse
una pista específica directamente	el botón numérico/de carácter de la pista.
un punto durante la reproducción y escucha el sonido	▶▶ (avance) o ◀◀ (retroceso) manténgalo pulsado hasta que encuentre el punto. (En el reproductor, utilice ▶▶ o ◀◀.)
un punto mientras observa el visor	▶▶ (avance) o ◀◀ (retroceso) pulsado hasta que encuentre el punto. (En el reproductor, utilice ▶▶ o ◀◀.)

Localización de una pista específica (continuación)

Nota

No será posible localizar pistas específicas si “REP PGM”, “REP SHUF”, “PGM” o “SHUF” está iluminado en el visor. Desactive la indicación pulsando ■.

Consejos

- Para localizar una pista de número superior a 10, pulse >10 primero y, a continuación, los botones numéricos/de carácter correspondientes.

Ejemplo:

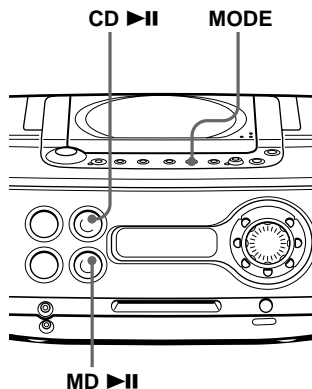
Para reproducir la pista número 23, pulse >10 primero y, a continuación, 2 y 3.

Para reproducir la pista número 10, puede utilizar el botón 0/10 así como >10, 1 y 0.

- Para seleccionar una pista de un MD de número 100 o superior, pulse >10 dos veces y, a continuación, los botones numéricos/de carácter correspondientes.

Reproducción de pistas de forma repetida (Reproducción repetida)

Puede reproducir pistas de forma repetida en los modos de reproducción normal, aleatoria o de programa.



Para repetir	Realice lo siguiente
una sola pista	<ol style="list-style-type: none">1 Reproduzca la pista que desee.2 Pulse MODE hasta que “REP 1” aparezca en el visor.
todas las pistas	<ol style="list-style-type: none">1 Inicie la reproducción normal.2 Pulse MODE hasta que “REP ALL” aparezca en el visor.
pistas en orden aleatorio	<ol style="list-style-type: none">1 Inicie la reproducción aleatoria (página 15).2 Pulse MODE hasta que “REP “SHUF” aparezca en el visor.
pistas programadas	<ol style="list-style-type: none">1 Inicie la reproducción de programa (página 15).2 Pulse MODE hasta que “REP” “PGM” aparezca en el visor.

Para cancelar la reproducción repetida

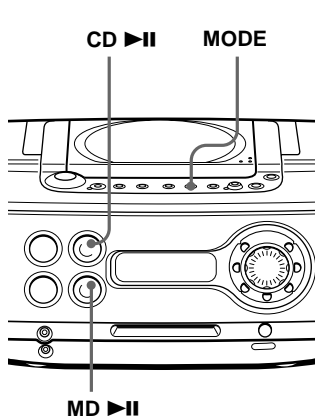
Detenga la reproducción primero. A continuación, pulse MODE hasta que “REP” desaparezca del visor.

Consejo

También puede seleccionar el modo de reproducción repetida durante la parada. Pulse MODE varias veces hasta que “REP 1”, “REP ALL”, “REP” “SHUF” o “REP” “PGM” aparezca en el visor. A continuación, reproduzca el CD o MD.

Reproducción de pistas en orden aleatorio (Reproducción aleatoria)

Es posible reproducir pistas en orden aleatorio.



Antes de comenzar, compruebe que el reproductor de CD o MD se encuentra en el modo de parada.

- 1 Pulse MODE hasta que "SHUF" aparezca en el visor.
- 2 Pulse CD >II (o MD >II) para iniciar la reproducción aleatoria.

Para cancelar la reproducción aleatoria

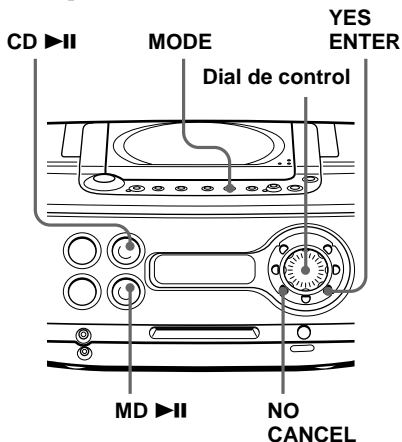
Detenga la reproducción primero. A continuación, pulse MODE hasta que "SHUF" desaparezca del visor.

Consejo

Durante la reproducción aleatoria, no es posible seleccionar la pista anterior girando el dial de control (o pulsando << en el mando a distancia).

Creación de su propio programa (Reproducción de programa)

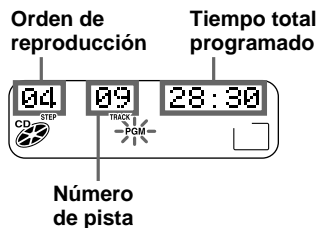
Puede establecer el orden de reproducción de hasta 20 pistas de un CD o MD.



Antes de comenzar, compruebe que el reproductor de CD o MD se encuentra en el modo de parada.

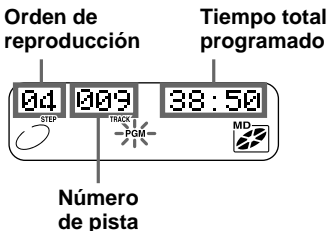
- 1 Pulse MODE hasta que "PGM" aparezca en el visor.
- 2 Gire el dial de control para seleccionar la pista que desee programar, y pulse YES•ENTER. Repita este paso.

(En el caso de CD)



Creación de su propio programa (Reproducción de programa) (continuación)

(En el caso de MD)



3 Pulse CD ►► (o MD ►►) para iniciar la reproducción de programa.

En el mando a distancia

Pulse MODE hasta que "PGM" aparezca en el visor y, a continuación, pulse el botón numérico/ de carácter para seleccionar la pista.

Consejos

- Si comete un error, pulse NO•CANCEL y vuelva a introducir el número de la pista mediante el dial de control y YES•ENTER.
- Una vez finalizada la reproducción de programa, éste queda almacenado en la memoria. Es posible reproducir de nuevo el mismo programa pulsando ►►.
- Si abre la tapa del compartimento de CD, el programa se borrará.
- Si extrae el MD, el programa se borrará.
- Durante la reproducción, no es posible mostrar el tiempo total programado.

Para cancelar la reproducción de programa

Detenga la reproducción primero. A continuación, pulse MODE hasta que "PGM" desaparezca del visor.

Para comprobar el orden de las pistas antes de la reproducción

Antes de iniciar la reproducción de programa, pulse YES•ENTER.

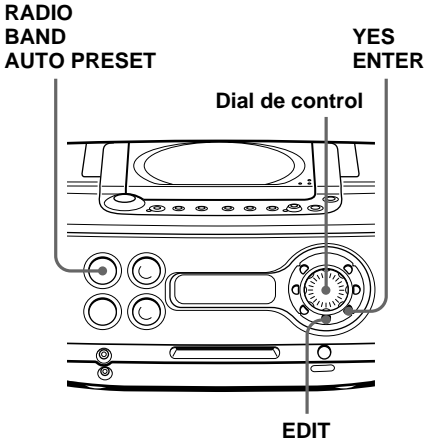
Cada vez que pulse YES•ENTER, el número de la pista aparecerá en el orden programado.

Para cambiar el programa actual Cámbielo antes de iniciar la reproducción de programa.

Para	Realice lo siguiente
borrar la última pista del programa	<ol style="list-style-type: none"> 1 Pulse NO•CANCEL. La última pista programada se borra. 2 Vuelva a introducir los números de las pistas girando el dial de control y pulsando YES•ENTER.
cambiar todo el programa por completo	<ol style="list-style-type: none"> 1 Pulse ■ para borrar el programa completo. 2 Cree un programa nuevo. Para ello, realice el procedimiento de programación.

Memorización de emisoras de radio

Es posible almacenar emisoras de radio en la memoria del reproductor. Puede memorizar un máximo de 40 emisoras, 20 para FM y 10 para MW y para LW, en el orden que desee.



- 1** Pulse RADIO BAND•AUTO PRESET hasta que el visor muestre la banda que desee.
- 2** Mantenga pulsado RADIO BAND•AUTO PRESET hasta que “Auto Preset” parpadee en el visor.
- 3** Pulse YES•ENTER.
Las emisoras se almacenan en la memoria a partir de las frecuencias inferiores (desde el número de memorización 1, en orden numérico) siempre que la emisora tenga una señal lo suficientemente intensa.
Una vez realizada la memorización, la emisora almacenada en el número de memorización 1 se sintoniza automáticamente.

Si no es posible memorizar una emisora automáticamente

Deberá memorizar manualmente la emisora de señal débil. Igualmente, cuando desee sustituir emisoras memorizadas por una nueva, realice lo siguiente:

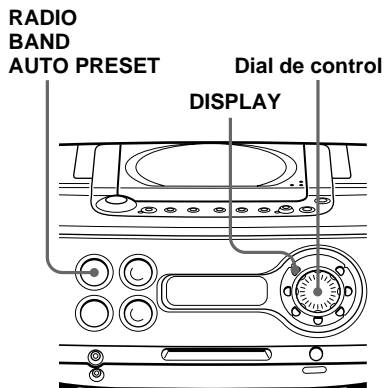
- 1** Pulse RADIO BAND•AUTO PRESET hasta que el visor muestre la banda que desee.
- 2** Pulse TUNE + o TUNE – varias veces hasta sintonizar la emisora deseada y, a continuación, mantenga pulsado YES•ENTER durante 2 segundos.
- 3** Gire el dial de control para seleccionar el número de memorización en el que desee memorizar la nueva emisora.
- 4** Pulse YES•ENTER.
La nueva emisora sustituye a la antigua.

En el mando a distancia

- 1** Pulse BAND hasta que el visor muestre la banda que desee.
- 2** Pulse TUNE + o – hasta sintonizar la emisora que desee.
- 3** Mantenga pulsado durante 2 segundos el botón numérico/de carácter en el que desee memorizar la nueva emisora.
Para seleccionar un número de memorización superior a 10, pulse >10 primero y, a continuación, los botones numéricos correspondientes. Es preciso mantener pulsado durante unos 2 segundos el botón del último número. (Ejemplo: Para seleccionar 12, pulse >10 y 1 primero y, a continuación, mantenga pulsado 2 durante unos 2 segundos.)

Sintonización de emisoras memorizadas

Una vez memorizadas las emisoras, utilice el dial de control del reproductor o los botones numéricos/de carácter del mando a distancia para sintonizar las emisoras que desee.



-
- 1** Pulse RADIO BAND•AUTO PRESET hasta que el visor muestre la banda que desee.
 - 2** Gire el dial de control para que aparezca el número de memorización de la emisora que desee.
-

Para comprobar el nombre de la emisora

Pulse DISPLAY. Pulse DISPLAY de nuevo para volver a la indicación de frecuencia.

En el mando a distancia

1 Pulse BAND hasta que el visor muestre la banda que desee.

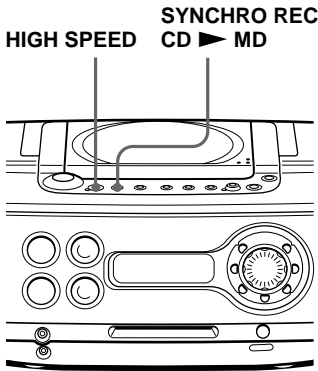
2 Pulse el botón numérico/de carácter para sintonizar una emisora almacenada.

Para sintonizar una emisora memorizada de número superior a 10, pulse >10 primero y, a continuación, los botones numéricos correspondientes. (Ejemplo: Para sintonizar la emisora memorizada con el número 12, pulse >10 y 1 primero y, a continuación, pulse 2.)

Grabación de la pista que escucha

(Grabación sincronizada de una sola pista – REC IT)

Puede grabar la pista que escuche desde el principio mediante el botón SYNCHRO REC CD ► MD.



- 1 Inserte un MD grabable.
- 2 Inserte el CD y reproduzca la pista que desee grabar.
- 3 Para grabar a alta velocidad, pulse HIGH SPEED. El indicador se ilumina. Para grabar a velocidad normal, omita este paso.

- 4 Pulse SYNCHRO REC CD ► MD. El reproductor retrocede al principio de la pista que escuche, e inicia la grabación. Si el MD contiene alguna grabación anterior, la grabación se realizará a partir de la última posición grabada. Al finalizar la grabación, el reproductor de MD detendrá la operación de forma automática y el reproductor de CD continuará con la reproducción.

Si "CD>MD OK?" alterna con la indicación de tiempo Significa que no hay suficiente espacio en el MD para grabar el programa completo. Si basta con grabar lo más posible y cancelar la grabación de algunas pistas, pulse YES•ENTER. Para detener la grabación, pulse NO•CANCEL. Si aparece cualquier otro mensaje, consulte la página 51.

Notas

- **TOC EDIT** Tras detener la grabación, no desconecte el cable de corriente ni mueva el reproductor mientras "TOC EDIT" parpadea en el visor. Si lo hace, la grabación puede no realizarse correctamente.
- Si aumenta el volumen excesivamente, pueden producirse saltos de sonido.

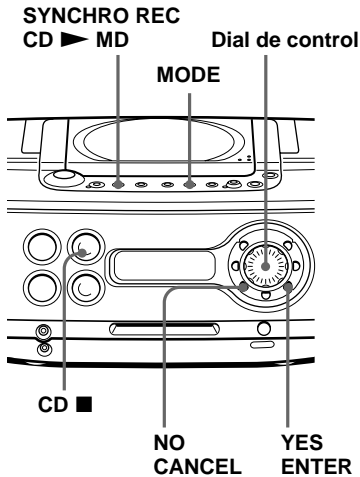
Consejos

- Para grabar sobre la grabación anterior, consulte la página 24.
- Una vez ajustado el reloj, la fecha y hora de grabación se registran automáticamente (página 35).
- Puede etiquetar el MD y la pista durante la grabación (página 30).

Grabación de pistas programadas

(Grabación sincronizada de pistas programadas)

Puede grabar hasta 20 pistas programadas.



- 1 Inserte un MD grabable.
- 2 Inserte el CD que desee grabar y pulse CD ■.
- 3 Pulse MODE hasta que "PGM" aparezca en el visor.
- 4 Gire el dial de control para seleccionar la pista que desee programar, y pulse YES•ENTER.
Repita este paso.



- 5 Pulse SYNCHRO REC CD ► MD.
El reproductor inicia la grabación automáticamente.
Si el MD contiene alguna grabación anterior, la grabación se realizará a partir de la última posición grabada.

Si "CD>MD OK?" alterna con la indicación de tiempo

Significa que no hay suficiente espacio en el MD para grabar el programa completo.

Si basta con grabar lo más posible y cancelar la grabación de algunas pistas, pulse YES•ENTER. Para detener la grabación, pulse NO•CANCEL.

Si aparece cualquier otro mensaje, consulte la página 51.

Notas

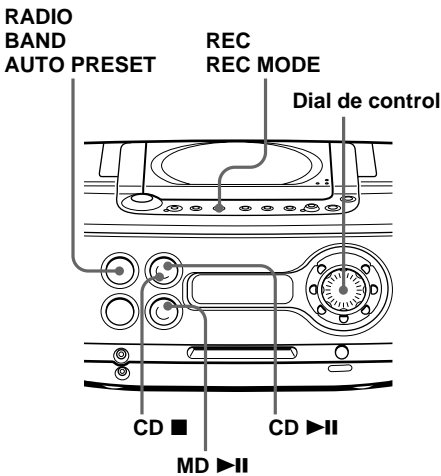
- **TOC EDIT** Tras detener la grabación, no desconecte el cable de corriente ni mueva el reproductor mientras "TOC EDIT" parpadea en el visor. Si lo hace, la grabación puede no realizarse correctamente.
- Si aumenta el volumen excesivamente, pueden producirse saltos de sonido.

Consejos

- Si comete un error, pulse NO•CANCEL y vuelva a introducir el número de la pista mediante el dial de control y YES•ENTER.
- Para grabar sobre la grabación anterior, consulte la página 24.
- Una vez ajustado el reloj, la fecha y hora de grabación se registran automáticamente (página 35).
- Puede etiquetar el MD y la pista durante la grabación (página 30).
- Cuando grabe las pistas programadas, no podrá utilizar la función de grabación a alta velocidad.

Grabación de la radio o un CD

Puede grabar de la radio o un CD en un MD mediante el botón REC•REC MODE. Puede iniciar o detener la grabación en el punto que desee. También puede ajustar la grabación en pausa.



Grabación de la radio

- 1 Sintonice la emisora de la que desee grabar.
- 2 Inserte un MD grabable.
- 3 Pulse REC•REC MODE (● en el mando a distancia).
El reproductor entra en espera de grabación.
- 4 Pulse MD ►|| (MD ► o MD || en el mando a distancia).
La grabación se realizará a partir de la última posición grabada.

Para detener la grabación
Pulse MD ■.

Para ajustar la grabación en pausa

Pulse MD ►|| (MD || en el mando a distancia). Vuelva a pulsar el botón para reanudar la grabación.

Notas

- **TOC EDIT** Tras detener la grabación, no desconecte el cable de corriente ni mueva el reproductor mientras "TOC EDIT" parpadea en el visor. Si lo hace, la grabación puede no realizarse correctamente.
- No es posible cambiar de emisora mientras se graba de la radio.
- Si aumenta el volumen excesivamente, pueden producirse saltos de sonido.

Consejos

- Para grabar sobre la grabación anterior, consulte la página 24.
- Para añadir marcas de pista durante la grabación, pulse REC•REC MODE en la posición en la que desee añadirlas.
- Para añadir marcas de pista después de grabar, consulte "División de una pista grabada en dos pistas" en la página 27.
- Al grabar de la radio, no es posible utilizar la función de grabación a alta velocidad.

Grabación de un CD

Las marcas de pista del CD fuente se graban en las mismas posiciones en el MD. Dichas marcas también se añaden automáticamente en el MD al ajustar la grabación en pausa.

Si se añaden marcas innecesarias, bórrelas después de grabar (consulte "Combinación de dos pistas adyacentes en una sola" en la página 28).

- 1 Inserte un CD.
- 2 Pulse CD ■ para activar el reproductor de CD.

continúa

Grabación de la radio o un CD (continuación)

- 3 Inserte un MD grabable.
- 4 Pulse REC•REC MODE (● en el mando a distancia).
El reproductor entra en espera de grabación.
- 5 Pulse MD ►|| (MD ► o MD || en el mando a distancia).
La grabación se realizará a partir de la última posición grabada.
- 6 Pulse CD ►|| (CD ► en el mando a distancia).

Para detener la grabación
Pulse MD ■.

Para ajustar la grabación en
pausa

Pulse MD ►|| (MD || en el mando a distancia). Vuelva a pulsar el botón para reanudar la grabación.

Notas

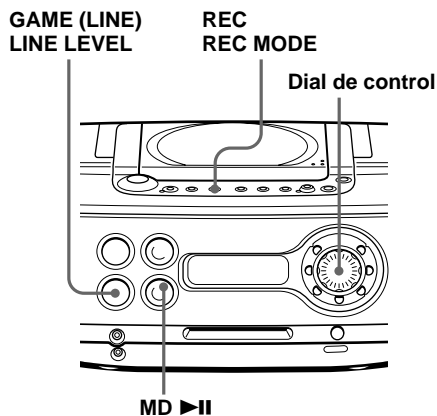
- **TOC EDIT** Tras detener la grabación, no desconecte el cable de corriente ni mueva el reproductor mientras "TOC EDIT" parpadea en el visor. Si lo hace, la grabación puede no realizarse correctamente.
- Si aumenta el volumen excesivamente, pueden producirse saltos de sonido.

Consejos

- Para grabar sobre la grabación anterior, consulte la página 24.
- Para añadir marcas de pista durante la grabación, pulse REC•REC MODE en la posición en la que desee añadirlas.
- Para añadir marcas de pista después de grabar, consulte "División de una pista grabada en dos pistas" en la página 27.
- Cuando grabe un CD utilizando REC•REC MODE, no podrá utilizar la función de grabación a alta velocidad.

Ampliación del tiempo de grabación (Grabación monofónica)

Si elige grabar en monofónico, el tiempo de grabación se duplicará con respecto al normal; no obstante, el sonido grabado perderá la presencia de sonido real hasta cierto punto. Elija el modo de grabación según el caso.



- 1 Prepare la fuente de música que desee grabar.

Fuente	Realice lo siguiente
CD	Inserte un CD, y pulse CD ■.
RADIO	Sintonice la emisora.
GAME (LINE)	Encienda el componente conectado a LINE IN. Pulse GAME (LINE)•LINE LEVEL hasta que "GAME (LINE)" aparezca en el visor.

- 2 Inserte un MD grabable.
- 3 Pulse y mantenga pulsado REC•REC MODE (● en el mando a distancia) hasta que "Stereo REC" parpadee en el visor.

4 Gire el dial de control hasta que “Mono REC” parpadee en el visor, y pulse YES•ENTER.
El reproductor entra en espera de grabación.

5 Pulse MD ►|| (MD ► o MD || en el mando a distancia).
La grabación se realizará a partir de la última posición grabada.

6 Reproduzca la fuente de sonido.
Grabación del CD: Pulse CD ►||.
Grabación del equipo conectado:
Realice la reproducción en el componente conectado a la toma LINE IN.

Consejos

- Para grabar sobre la grabación anterior, consulte la página 24.
- Para añadir marcas de pista durante la grabación, pulse REC•REC MODE en la posición en la que desee añadirlas.
- Para añadir marcas de pista después de grabar, consulte “División de una pista grabada en dos pistas” en la página 27.
- Una vez detenga la grabación pulsando MD ■, el reproductor volverá a la grabación en estéreo la próxima vez que grabe.
- Si graba una fuente estéreo en monofónico, los sonidos de los canales izquierdo y derecho se mezclarán.
- Los minidiscos grabados en monofónico con este reproductor pueden reproducirse solamente con un reproductor/grabadora de MD que disponga de la función de reproducción monofónica.
- Al grabar en monofónico, no es posible utilizar la función de grabación a alta velocidad.

Para detener la grabación

Pulse MD ■.

Para ajustar la grabación en pausa

Pulse MD ►|| (MD || en el mando a distancia). Vuelva a pulsar el botón para reanudar la grabación.

Notas

- **TOC EDIT** Tras detener la grabación, no desconecte el cable de corriente ni mueva el reproductor mientras “TOC EDIT” parpadea en el visor. Si lo hace, la grabación puede no realizarse correctamente.
- No es posible cambiar de emisora mientras se graba de la radio.
- Si aumenta el volumen excesivamente, pueden producirse saltos de sonido.

Grabación en un MD grabado

Existen dos formas para grabar en un MD grabado.

- Adición a la grabación anterior. Ésta se conserva.
- Grabación sobre la grabación anterior. Ésta se borra.

Adición de grabación (la grabación anterior se conserva)

Inserte un MD grabado e inicie la grabación (páginas 6, 19 - 23). La grabación se realizará a partir de la última posición grabada.

Si no hay suficiente espacio en el MD para grabar

Al grabar un CD completo, "CD>MD OK?" aparece en el visor (página 7). Cuando grabe de la radio o un CD, pulse DISPLAY para comprobar el tiempo restante de grabación en el MD.

Grabación sobre la grabación anterior (ésta se borra)

Para grabar desde el principio del MD después de borrar todas las pistas de éste

Primero, borre todas las pistas del MD (página 26). Puede utilizar el MD como si se tratara de uno nuevo. A continuación, grabe en el MD con normalidad.

Para grabar en el MD a partir de un punto específico

- 1 Reproduzca el MD y pulse MD ►|| para ajustar la reproducción en pausa en el punto en el que desee iniciar la grabación.
- 2 Pulse REC•REC MODE para ajustar el reproductor en el modo de espera.
- 3 Reproduzca la fuente de sonido.
- 4 Pulse MD ►|| para iniciar la grabación.

Nota

Al grabar en el MD a partir de un punto específico:

Si la duración de la grabación nueva es inferior a la grabación anterior, una parte de ésta permanecerá después de la grabación. Al repetir este tipo de grabación, quedarán muchos fragmentos de grabación en el MD. Se recomienda que borre todas las pistas de éste (página 26) si no es preciso conservar la grabación. A continuación, inicie la grabación en el MD en blanco.

Antes de editar

En el MD, se insertan marcas de pista entre las pistas. Puede editar las pistas grabadas añadiendo o borrando las marcas de pista.

La posición de las marcas de pista que se añadan es diferente en función del tipo o condición de grabación como se muestra en la siguiente tabla.

Posición de las marcas de pista que se añadan

Tipo de grabación	Posición de las marcas de pista que se añadan
Grabación de un CD completo (página 6)	Las mismas posiciones del CD fuente
Grabación de un CD utilizando el botón REC•REC MODE (página 22)	<ul style="list-style-type: none"> Las mismas posiciones del CD fuente Posición en la que ajuste la grabación en pausa Posición en la que pulse REC•REC MODE
Grabación de la radio o de otro equipo conectado al reproductor (páginas 21 y 43)	<ul style="list-style-type: none"> Cuando no haya entrada de sonido o un sonido suave se prolongue durante la grabación más de 2 segundos Posiciones en las que ajuste la grabación en pausa Posiciones en las que pulse REC•REC MODE

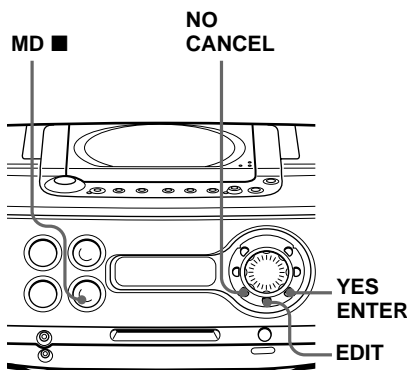
Puede añadir o borrar marcas de pista después de grabar. Al grabar, es posible que se añadan marcas de pista en posiciones no deseadas. Si esto ocurre, cambie las posiciones de las marcas.

Borrado de grabaciones (Función de borrado)

Es posible borrar rápidamente las pistas grabadas o las partes innecesarias de la pista. Al contrario que con las grabadoras de casetes, las partes en blanco no se conservan después del borrado.

A continuación se ofrecen tres opciones de borrado de grabaciones:

- Borrado de una sola pista
- Borrado de todas las pistas de un MD
- Borrado de una parte de una pista



Borrado de una sola pista

Puede borrar una pista completa rápidamente. Al borrar una pista, el número total de pistas del MD disminuye en uno, y todas las siguientes a la borrada se reenumeran.

- 1 Reproduzca la pista que desee borrar.
- 2 Pulse EDIT varias veces hasta que el visor muestre "Track Erase".

continúa

Borrado de grabaciones (Función de borrado) (continuación)

-
- 3** Pulse YES•ENTER.
“Erase 003 OK?” aparece en el visor, y se inicia la reproducción repetida de una pista. Una vez borradas las pistas, no podrá recuperarlas. Asegúrese de comprobar el contenido de la pista que vaya a borrar.

Si desea cancelar la función de borrado en este punto:

Pulse NO•CANCEL o MD ■.

-
- 4** Pulse YES•ENTER.
“Complete” aparece en el visor durante unos segundos, y la pista actual se borra.

Notas

- Si “Protected” aparece en el visor, significa que la lengüeta del MD se encuentra en la posición de protección contra grabación (página 45).

- **TOC EDIT** Después de editar, no desconecte el cable de corriente ni mueva el reproductor mientras “TOC EDIT” parpadea en el visor. Si lo hace, la edición puede no realizarse correctamente.

Borrado de todas las pistas de un MD

Puede borrar el nombre del disco, todas las pistas grabadas y sus nombres simultáneamente. Tras borrar todas las pistas del MD, puede utilizarlo como uno nuevo.

-
- 1** Con el reproductor parado, pulse EDIT varias veces hasta que “All Erase” aparezca en el visor.

-
- 2** Pulse YES•ENTER.
“ALL Erase OK?” aparece en el visor. Una vez borradas las pistas, no podrá recuperarlas. Asegúrese de comprobar el contenido del disco que vaya a borrar.

Si desea cancelar la función de borrado en este punto:

Pulse NO•CANCEL o MD ■.

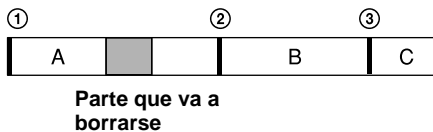
-
- 3** Pulse YES•ENTER.
Después de desaparecer “TOC EDIT” del visor, aparece “Blank Disc” y todo el contenido del MD se borra.

Borrado de una parte de una pista

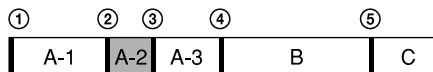
El uso de las funciones de división, borrado (página 25) y combinación (página 28) permite borrar partes específicas de una pista.

Ejemplo: Borrado de una parte de la pista A

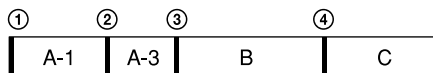
Número de pista



- 1 Divida la pista A en tres partes. Añada las marcas ② y ③ de pista al principio y final de la parte que desee borrar mediante la función de división.



- 2 Borre la pista A-2. Borre la pista A-2 mediante la función de borrado de una sola pista (página 25).



- 3 Combine las pistas A-1 y A-3. Borre la marca ② de pista mediante la función de combinación (página 28).

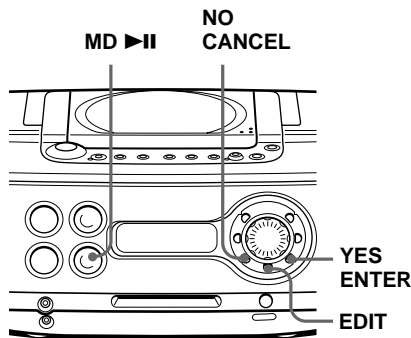


Nota

TOC EDIT Después de editar, no desconecte el cable de corriente ni mueva el reproductor mientras "TOC EDIT" parpadea en el visor. Si lo hace, la edición puede no realizarse correctamente.

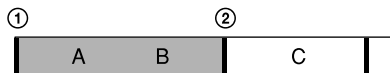
División de una pista grabada en dos pistas (Función de división)

Al grabar de la radio, etc., puede que las marcas de pista no se añadan correctamente. Es posible que se incluyan varias pistas en una sola. Puede dividir estas pistas en otras independientes, y añadir una marca de pista nueva en cada pista. Todas las pistas a continuación de las divididas se reenumeran.



Ejemplo: División de la pista 1 en dos pistas

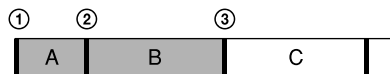
Número de pista



División



La pista 1 se divide y se añade la marca ② de pista.



- 1 Mientras se reproduce el MD, pulse MD >|| en el punto en el que desee crear una pista nueva. El reproductor entra en pausa.

continúa

División de una pista grabada en dos pistas (Función de división) (continuación)

- Pulse EDIT varias veces hasta que el visor muestre "Divide".
- Pulse YES•ENTER.
"Divide OK?" aparece en el visor.
Si desea cancelar la función de división en este punto:
Pulse NO•CANCEL o MD ■.
- Pulse YES•ENTER.
"Complete" aparece en el visor durante unos segundos tras dividirse la pista. Sólo la pista original tiene el nombre de pista, mientras que la nueva no tiene nombre (esto ocurre solamente cuando la pista dividida tenía su propio nombre).

Consejos

- Para agrupar las pistas divididas, consulte "Combinación de dos pistas adyacentes en una sola".
- Para dividir una pista durante la grabación, pulse REC•REC MODE en el punto en el que desee añadir la marca de pista.

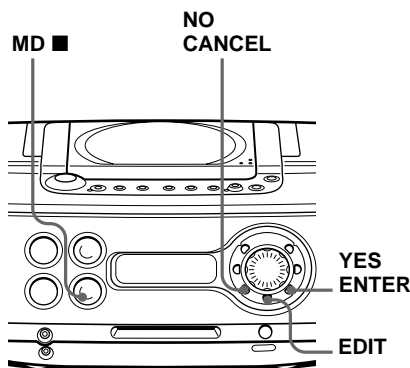
Notas

- Si "Sorry" aparece en el visor, no podrá dividir la pista.
Si repite la edición en el MD, puede que no sea posible dividir una pista. Esto se debe a las limitaciones de sistemas del MD (página 46), y no está causado por defecto de funcionamiento.
- TOC EDIT** Después de editar, no desconecte el cable de corriente ni mueva el reproductor mientras "TOC EDIT" parpadea en el visor. Si lo hace, la edición puede no realizarse correctamente.

Combinación de dos pistas adyacentes en una sola

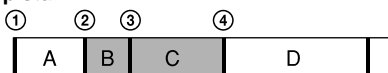
(Función de combinación)

Puede combinar dos pistas adyacentes en una sola. La función de combinación permite combinar varias grabaciones fragmentadas o eliminar las marcas de pista innecesarias. Todas las pistas a continuación de la combinada se reenumeran.



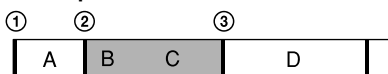
Ejemplo: Combinación de las pistas B y C

Número de pista



Combinación

Combinación de dos pistas en una sola mediante el borrado de la marca ③ de pista.



- Reproduzca la pista que desee combinar.
Ejemplo: Para combinar las pistas B y C, reproduzca la pista C.
- Pulse EDIT varias veces hasta que el visor muestre "Combine".

- 3** Pulse YES•ENTER.
“Combine OK?” aparece en el visor y el reproductor entra en el modo de pausa de reproducción.

Si desea cancelar la función de combinación en este punto:

Pulse NO•CANCEL o MD ■.

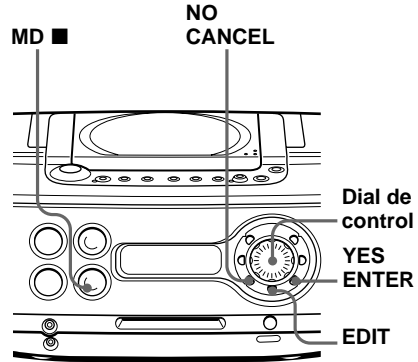
- 4** Pulse YES•ENTER.
“Complete” aparece en el visor durante unos segundos tras combinarse las pistas. Si las dos pistas combinadas tenían nombre, el nombre de la última pista se borrará.

Notas

- Si “Sorry” aparece en el visor, no podrá combinar las pistas.
Si repite la edición en el MD, puede que no sea posible combinar las pistas. Esto se debe a las limitaciones de sistemas del MD (página 46), y no está causado por defecto de funcionamiento.
- Si “Cannot Edit” aparece en el visor, puede que esté intentando combinar las pistas en la primera pista. No es posible utilizar la función de combinación en la primera pista.
- **TOC EDIT** Después de editar, no desconecte el cable de corriente ni mueva el reproductor mientras “TOC EDIT” parpadea en el visor. Si lo hace, la edición puede no realizarse correctamente.

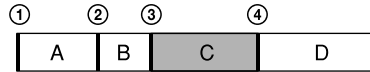
Desplazamiento de pistas grabadas (Función de desplazamiento)

Puede cambiar el orden de las pistas. Tras desplazar la pista, las pistas se reenumeran automáticamente.



Ejemplo: Desplazamiento de la pista C a la posición de la pista 1

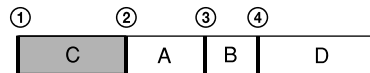
Número de pista



Desplazamiento



El número de pista de la C cambia a 1



- 1** Reproduzca la pista que desee desplazar.
- 2** Pulse EDIT varias veces hasta que el visor muestre “Track Move”.
- 3** Pulse YES•ENTER.
“→Track 003?” aparece en el visor, y se inicia la reproducción repetida de una pista.

Desplazamiento de pistas grabadas (Función de desplazamiento) (continuación)

- 4** Gire el dial de control para seleccionar la nueva posición de la pista y pulse YES•ENTER.

“003→→→001?” aparece en el visor.

Si desea cancelar la función de desplazamiento en este punto:

Pulse NO•CANCEL o MD ■.

- 5** Pulse YES•ENTER.

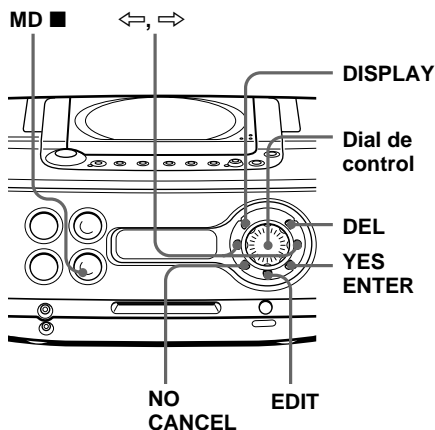
“Complete” aparece en el visor durante unos segundos tras desplazarse la pista.

Nota

TOC EDIT Después de editar, no desconecte el cable de corriente ni mueva el reproductor mientras “TOC EDIT” parpadea en el visor. Si lo hace, la edición puede no realizarse correctamente.

Etiquetado de grabaciones (Función de nombre)

Puede etiquetar los minidiscos y las pistas grabadas con letras, números y símbolos, bien durante la grabación o tras ésta. Es posible introducir hasta unos 1 700 caracteres en cada MD.



Etiquetado durante la grabación

- Puede etiquetar los minidiscos y las pistas durante la grabación sincronizada de un CD completo (página 6) o de las pistas programadas (página 20).
- Es posible etiquetar las pistas solamente durante la grabación sincronizada de una sola pista (REC IT) (página 19).

Durante la grabación sincronizada de un CD completo o de las pistas programadas Es posible etiquetar un MD o una pista con un máximo de 40 caracteres. Puede etiquetar hasta 25 pistas. Si desea etiquetar más de 25 pistas, etiquételas después de grabar (página 32).

1 Durante la grabación, pulse EDIT varias veces hasta que “Disc Name” o “Track Name” aparezca en el visor, y pulse YES•ENTER.

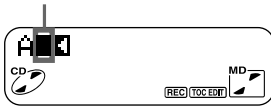
Cuando etiquete un MD, seleccione “Disc Name”.

Cuando etiquete una pista, seleccione “Track Name”.

2 Para etiquetar una pista, gire el dial de control para seleccionar un número de pista de un CD, y pulse YES•ENTER. Cuando etiquete un MD, proceda con el paso 3.

3 Gire el dial de control en el sentido de las agujas del reloj o en el sentido contrario para seleccionar el carácter, y pulse ⇨ para que el cursor se desplace a la derecha.

Cursor



También puede utilizar los siguientes botones:

Botón	Función
DISPLAY	Cada vez que pulse el botón, el carácter cambiará de la siguiente forma: Letras mayúsculas → Letras minúsculas → Números y símbolos.
⇐, ⇒	El cursor se desplaza a la izquierda o la derecha.
DEL	El carácter marcado con el cursor se elimina.

4 Repita el paso 3 para completar el nombre.

5 Pulse YES•ENTER.
El nombre queda etiquetado en el MD o en la pista.

Caracteres que pueden introducirse

- Letras mayúsculas: ABCD.....WXYZ
- Letras minúsculas: abcd.....wxyz
- Números y símbolos: 0123456789!"#\$%&()**.;<=>? @_+ -./: □ (espacio)

Nota

TOC EDIT Después de editar, no desconecte el cable de corriente ni mueva el reproductor mientras “TOC EDIT” parpadea en el visor.

Si lo hace, la edición puede no realizarse correctamente.

Durante la grabación REC IT

Sólo puede etiquetar una pista. Puede introducir hasta 100 caracteres.

1 Durante la grabación, pulse EDIT.
La indicación espera a que se introduzcan los caracteres.

2 Etiquete pistas según los pasos 3 y 4 de “Etiquetado durante la grabación”.

3 Pulse YES•ENTER.
El nombre queda etiquetado en la pista.

continúa

Etiquetado después de la grabación

Para etiquetar un MD o una pista, realice lo siguiente. Puede introducir hasta 100 caracteres por cada etiqueta.

- 1** Para etiquetar un MD, inserte el que desee etiquetar y detenga la operación. Para etiquetar una pista, reproduzca la que desee etiquetar.
- 2** Pulse EDIT varias veces hasta que “Disc Name” o “Track Name” aparezca en el visor, y pulse YES•ENTER. Cuando etiquete un MD, seleccione “Disc Name”. Cuando etiquete una pista, seleccione “Track Name”.
- 3** Etiquete el MD o la pista según los pasos 3 y 4 de la página 31.
- 4** Pulse YES•ENTER. El nombre queda etiquetado en el MD o en la pista.

Para cambiar el nombre

Según los pasos 1 y 2 de esta página, muestre en el visor el nombre del disco o de la pista que desee cambiar. Sustituya el nombre antiguo por uno nuevo, y pulse YES•ENTER.

Consejo

Si utiliza un MD ya etiquetado, un nombre de disco o de pista aparecerá en el visor en el momento del etiquetado. Cambie el nombre según los pasos 3 y 4 de la página 31, si es necesario, y después pulse YES•ENTER para confirmar el nombre nuevo.

Caracteres que pueden introducirse mediante el mando a distancia

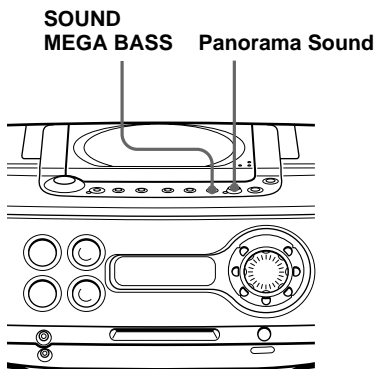
Los números, letras y símbolos se asignan a cada botón numérico/de carácter del mando a distancia.

Cada vez que pulse el botón, el carácter cambiará en el visor como se muestra en la siguiente tabla.

Botones	Caracteres asignados a cada botón
1	1
2ABC	↩ A → B → C → a → b → c → 2 ↪
3DEF	↩ D → E → F → d → e → f → 3 ↪
4GHI	↩ G → H → I → g → h → i → 4 ↪
5JKL	↩ J → K → L → j → k → l → 5 ↪
6MNO	↩ M → N → O → m → n → o → 6 ↪
7PQRS	↩ P → Q → R → S → p → q → r → s → 7 ↪
8TUV	↩ T → U → V → t → u → v → 8 ↪
9WXYZ	↩ W → X → Y → Z → w → x → y → z → 9 ↪
0/10	0
>10	_____
SYMBOL	↩ ! → " → # → \$ → % → & → (→) → * → . → : → < → = ↪ ↪ ; → / → , → ' → ~ → + → ^ → _ → ` → ? → > ↪

Selección del énfasis de sonido

Es posible ajustar el énfasis del sonido que escuche. También puede disfrutar del sonido de una consola de juegos, etc., con el botón Panorama Sound.



Selección de la característica de sonido

Pulse SOUND•MEGA BASS para seleccionar el énfasis de sonido que desee. Cada vez que pulse el botón, la indicación cambiará.

Elija	Para
Sound Rock	“Rock’n’roll”: sonidos potentes y limpios, enfatizando el audio de gama baja y alta.
Sound Pop	Música “pop”: sonidos ligeros y brillantes, enfatizando el audio de gama alta y media
Sound Jazz	Jazz: sonidos de percusión, enfatizando los graves.
Sound Vocal	Vocal: la presencia de música vocal, enfatizando el audio de gama media
Sound Off	Música clásica: gama dinámica completa de música

Potenciación de los graves

- 1 Pulse SOUND•MEGA BASS hasta que “MEGA BASS” aparezca en el visor.
- 2 Pulse SOUND•MEGA BASS de nuevo para seleccionar “MEGA BASS On”. “MEGA BASS” aparece en el visor.
Para recuperar el sonido normal, pulse el botón de nuevo para seleccionar “MEGA BASS Off”.

Obtención de sonido con presencia en vivo

Pulse Panorama Sound para seleccionar la calidad de sonido que desee. La indicación cambiará cada vez que pulse el botón.


Para CD, MD y radio

Elija	Calidad de sonido
Panorama:Live	Sonido con presencia en vivo
Panorama	Sonido panorámico
Panorama:Off	Sonido normal

Para el sonido de la toma LINE IN

Elija	Calidad de sonido
Panorama:Game	Se potencia la presencia en vivo del sonido de la consola de juegos, etc.
Panorama	Sonido panorámico
Panorama:Off	Sonido normal

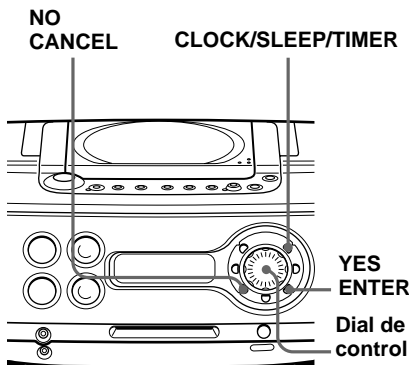
Nota

La función de sonido panorama no se activa en la salida de sonido de la toma .

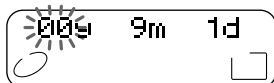
Ajuste del reloj

Las indicaciones “- -y - -m - -d” y “- -:- -” aparecen en el visor hasta que se ajuste el reloj.

Una vez ajustado el reloj, la fecha y hora de grabación se registran de forma automática (páginas 7, 13, 19 y 20).



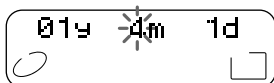
- 1 Pulse y mantenga pulsado **CLOCK/SLEEP/TIMER** hasta que parpadeen los dígitos de año.



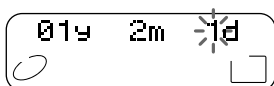
- 2 Ajuste la fecha.

- 1 Gire el dial de control para ajustar el año y pulse **YES•ENTER**.

Ejemplo: Ajuste 14 de febrero del 2001



- 2 Gire el dial de control para ajustar el mes y pulse **YES•ENTER**.



- 3 Gire el dial de control para ajustar el día y pulse **YES•ENTER**.



- 3 Ajuste la hora.

- 1 Gire el dial de control para ajustar la hora y pulse **YES•ENTER**.
- 2 Gire el dial de control para ajustar los minutos.

- 4 Pulse **YES•ENTER**.

El reloj se pondrá en funcionamiento a partir de 00 segundos.



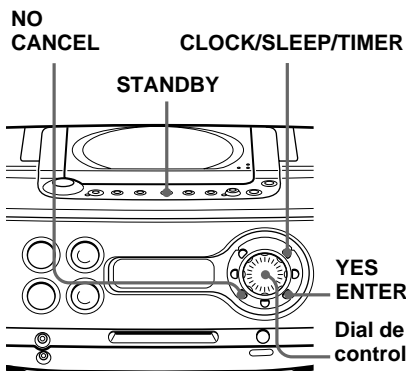
Para visualizar la hora Pulse **CLOCK/SLEEP/TIMER**. Si pulsa el botón de nuevo, la indicación de fecha aparecerá en el visor. Para volver a la indicación anterior, pulse **NO•CANCEL**. Al desactivarse la alimentación, aparece la indicación de hora.

Consejo

El sistema de presentación de la hora de este reproductor es de 24 horas.

Activación automática del sistema

Es posible despertarse con música o con un programa de radio a una hora programada. Compruebe que ha ajustado el reloj (consulte “Ajuste del reloj” en la página 35).



Antes de comenzar, compruebe que “TIMER” no se visualiza. Si se visualiza, pulse STANDBY.

- 1 Prepare la fuente de música que desee reproducir.

Fuente	Realice lo siguiente
MD	Inserte un MD.
CD	Inserte un CD.
RADIO	Sintonice la emisora.
GAME (LINE)	Encienda el componente conectado a LINE IN.

- 2 Pulse CLOCK/SLEEP/TIMER hasta que “Timer Set” aparezca en el visor, y pulse YES•ENTER. “TIMER” parpadea en el visor. Realice los siguientes ajustes comprobando las indicaciones del visor.

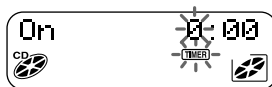


- 3 Gire el dial de control hasta que “PLAY” parpadee en el visor, y pulse YES•ENTER. “MD”, “CD”, “RADIO” o “LINE” parpadea en el visor.

- 4 Gire el dial de control hasta que el visor muestre la fuente de música que desee reproducir (“MD”, “CD”, “RADIO” o “LINE”), y pulse YES•ENTER.

- 5 Ajuste el temporizador a la hora y los minutos a los que desee que comience a reproducirse la música.

- 1 Gire el dial de control para ajustar la hora y pulse YES•ENTER.



- 2 Gire el dial de control para ajustar los minutos y pulse YES•ENTER.

- 6 Ajuste el temporizador a la hora y los minutos a los que desee que la música se desactive (realice la misma operación del paso 5).

- 7 Gire el dial de control para ajustar el volumen que desee y pulse YES•ENTER.



- 8 Pulse STANDBY. “TIMER” se ilumina y el reproductor entra en el modo de espera. A la hora programada, la alimentación se activará y la música comenzará a reproducirse. Después, dicha alimentación se desactivará a la hora programada, y el reproductor entrará de nuevo en el modo de espera.

Para comprobar/cambiar los ajustes del temporizador de activación

Pulse CLOCK/SLEEP/TIMER hasta que "Timer Set" aparezca en el visor, y pulse YES•ENTER. Cada vez que pulse YES•ENTER, aparecerá un ajuste almacenado en el orden definido. Para cambiar el ajuste, muestre el que desee modificar y vuelva a introducirlo.

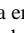
Para emplear el reproductor antes de que se inicie la reproducción con temporizador Si enciende el reproductor, puede emplearlo con normalidad (en el caso de la radio, si escucha una emisora diferente a la sintonizada en el paso 1 de la página 36, se sintonizará esa emisora a la hora programada). Apague el reproductor antes de la hora programada.

Para detener la reproducción
Desactive la alimentación.

Notas

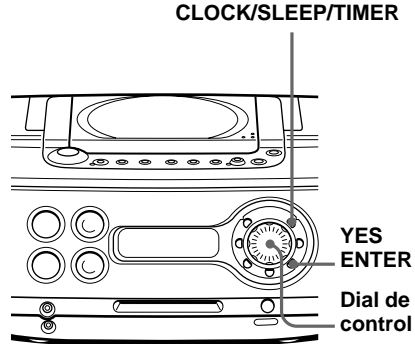
- No es posible programar el temporizador de activación y el de grabación (página 38) a la misma hora.
- Cuando reproduzca el sonido del componente conectado a la toma LINE IN del reproductor, consulte el manual de instrucciones de dicho componente.

Consejos

- Si comete un error, pulse NO•CANCEL. Se borrará el ajuste introducido en último lugar. Vuelva a introducirlo.
- Para salir del modo de espera, pulse STANDBY para que "TIMER" desaparezca del visor.
- Los ajustes programados se conservan hasta que vuelva a ajustarlos.
- Mientras la indicación  aparezca en el visor, el reproductor se encontrará en el modo de temporizador.

Desactivación automática del sistema

Puede programar el reproductor para que se apague automáticamente transcurridos 10, 20, 30, 60, 90 o 120 minutos, de forma que pueda quedarse dormido escuchando música.



Temporizador

- 1 Reproduzca la fuente de música que desee.
- 2 Pulse CLOCK/SLEEP/TIMER hasta que "Sleep Set" aparezca en el visor, y pulse YES•ENTER.
- 3 Gire el dial de control con el fin de seleccionar los minutos para el temporizador de desactivación. La indicación cambia de la siguiente forma:
"60" → "90" → "120" → Off →
"10" → "20" → "30".



Si transcurren 8 segundos después de girar el dial de control, se introducirán los minutos mostrados en el visor.

Una vez superada la hora programada, el reproductor se apaga automáticamente.

Desactivación automática del sistema (continuación)

Para cancelar la función de desactivación

- 1 Pulse **CLOCK/SLEEP/TIMER** hasta que “Sleep Set” aparezca en el visor, y pulse **YES•ENTER**.
- 2 Gire el dial de control para seleccionar “Off”.

Para cambiar el espacio de tiempo programado

Vuelva a realizar los pasos 2 y 3.

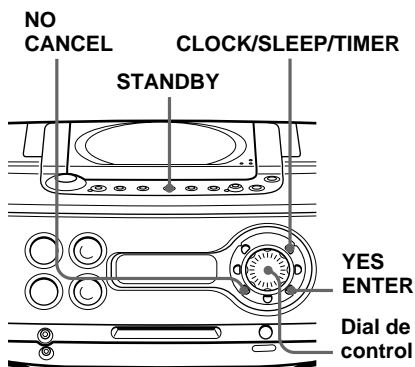
Consejos

- Es posible combinar el temporizador de activación con el de desactivación. Ajuste primero el temporizador de activación (página 36), encienda el reproductor y, a continuación, ajuste el temporizador de desactivación.
- Puede preparar músicas diferentes para el temporizador de activación y para el de desactivación. No obstante, no es posible almacenar emisoras de radio diferentes.
- Puede definir niveles de volumen diferentes para el temporizador de activación y para el de desactivación. Por ejemplo, puede quedarse dormido con un nivel de volumen bajo y despertarse con uno mayor.

Grabación de programas de radio con el temporizador

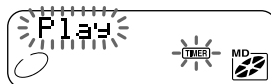
Es posible ajustar el temporizador para grabar programas de radio a una hora determinada. También puede grabar el sonido del componente conectado a la toma **LINE IN** del reproductor.

Compruebe que ha ajustado el reloj (consulte “Ajuste del reloj” en la página 35).



Antes de comenzar, compruebe que “TIMER” no se visualiza. Si se visualiza, pulse **STANDBY**.

- 1 Sintonice la emisora de radio e inserte un MD.
- 2 Pulse **CLOCK/SLEEP/TIMER** hasta que “Timer Set” aparezca en el visor, y pulse **YES•ENTER**. “TIMER” parpadea en el visor. Realice los siguientes ajustes comprobando las indicaciones del visor.



- 3 Gire el dial de control hasta que “Stereo REC” o “Mono REC” parpadee en el visor, y pulse **YES•ENTER**.

- 4** Gire el dial de control hasta que “RADIO→MD” parpadee en el visor, y pulse YES•ENTER.

Al grabar desde el componente conectado a la toma LINE IN del reproductor, gire el dial de control hasta que “LINE→MD” parpadee en el visor y pulse YES•ENTER.



- 5** Ajuste el temporizador a la hora y los minutos a los que desea que comience la grabación.

- ① Gire el dial de control para ajustar la hora y pulse YES•ENTER.



- ② Gire el dial de control para ajustar los minutos y pulse YES•ENTER.

- 6** Ajuste el temporizador a la hora y los minutos a los que desea que la grabación se detenga. (Realice la misma operación del paso 5.)

- 7** Gire el dial de control para ajustar el volumen que desea y pulse YES•ENTER.

- 8** Pulse STANDBY.

Aparece “TIMER” y el reproductor entra en el modo de espera.

A la hora programada, la alimentación se activará y se iniciará la grabación. Después, dicha alimentación se desactivará a la hora programada, y el reproductor entrará de nuevo en el modo de espera.

Para comprobar/cambiar los ajustes del temporizador de grabación

Pulse CLOCK/SLEEP/TIMER hasta que “Timer Set” aparezca en el visor, y pulse YES•ENTER. Cada vez que pulse YES•ENTER, aparecerá un ajuste almacenado en el orden definido. Para cambiar el ajuste, muestre el que desea modificar y vuelva a introducirlo.

Para emplear el reproductor antes de que se inicie la grabación con temporizador

Si enciende el reproductor, puede emplearlo con normalidad (en el caso de la radio, si escucha una emisora diferente a la sintonizada en el paso 1 de la página 38, se sintonizará esa emisora a la hora programada). Apague el reproductor antes de la hora programada.

Para detener la grabación con temporizador

Desactive la alimentación.

Notas

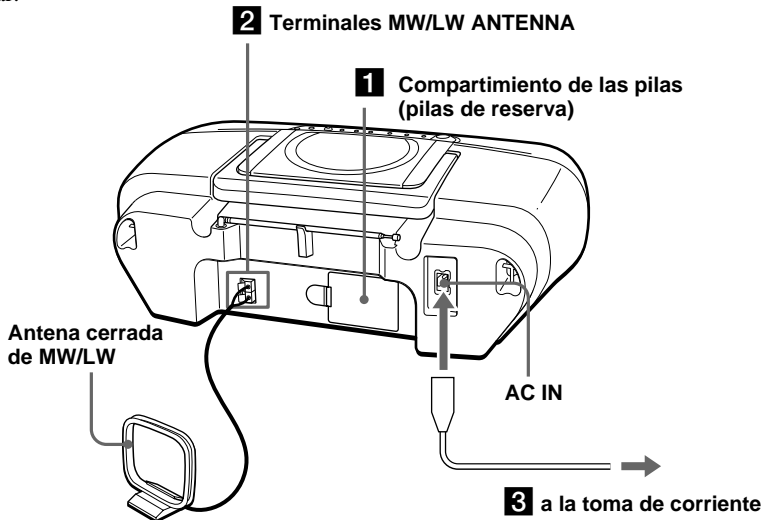
- No es posible programar el temporizador de grabación y el de activación (página 36) a la misma hora.
- Cuando grave desde el componente conectado a la toma LINE IN del reproductor, consulte el manual de instrucciones de dicho componente.

Consejos

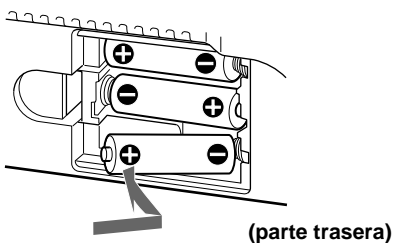
- Si comete un error, pulse NO•CANCEL. Se borrará el ajuste introducido en último lugar. Vuelva a introducirlo.
- Para salir del modo de espera, pulse STANDBY para que “TIMER” desaparezca del visor.
- Los ajustes programados se conservan hasta que vuelva a ajustarlos.
- Mientras la indicación ④ aparezca en el visor, el reproductor se encontrará en el modo de temporizador.

Preparación del sistema

De acuerdo con las ilustraciones, conecte los cables firmemente. Si realiza las conexiones incorrectamente, se producirán fallos de funcionamiento. Conecte el cable de corriente en último lugar.



- 1** Inserción de las pilas de reserva
 Inserte tres pilas R6 (tamaño AA) (no suministradas) en el compartimiento correspondiente. Estas pilas permiten conservar los datos de memoria.



Inserte tres pilas R6 (tamaño AA) (no suministradas).

Sustitución de las pilas

Con un uso normal, las pilas deben durar aproximadamente un año.

Sustituya todas las pilas por unas nuevas a intervalos de un año aproximadamente.

Nota

Asegúrese de desactivar la alimentación del reproductor antes de conectar/desconectar el cable de corriente o de extraer/insertar las pilas.

- 2** Conexión de la antena

- 1 Retire el revestimiento del extremo del cable y retuerza los hilos.



- 2 Conecte los hilos a los terminales.

Antena cerrada de MW/LW* (suministrada)



* Cambie la orientación de la antena para mejorar la recepción de la emisión.

Instalación de la antena cerrada de MW/LW



Nota

Mantenga la antena cerrada de MW/LW lo más alejada posible del reproductor. En caso contrario, es posible que se oiga ruido.

3 Conexión del cable de corriente

Inserte un extremo del cable de corriente suministrado en la toma AC IN situada en la parte posterior del reproductor, y el otro extremo a la toma de corriente.

Cambio del intervalo de sintonización de MW

Si es preciso cambiar el intervalo de sintonización de MW (ajustado de fábrica en 9 kHz), realice lo siguiente:

- 1 Pulse RADIO BAND•AUTO PRESET hasta que aparezca "MW".
- 2 Pulse YES•ENTER durante 2 segundos.
- 3 Pulse RADIO BAND•AUTO PRESET durante 2 segundos.
"MW 9" o "MW 10" parpadea.
- 4 Gire el dial de control con el fin de seleccionar "MW 9" para el intervalo de 9 kHz o "MW 10" para el de 10 kHz.
- 5 Pulse YES•ENTER.

Tras cambiar el intervalo de sintonización, deberá reajustar las emisoras de radio de MW memorizadas.

Acerca del modo de demostración

El reproductor entra en el modo de demostración después de unos 10 segundos tras conectar el cable de corriente a la toma de alimentación. Las indicaciones de demostración como "Demonstration Mode" aparecen en el visor una tras otra.

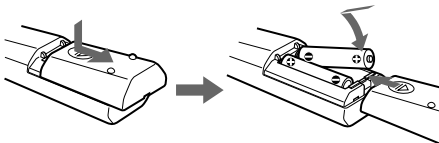
El reproductor también entrará en el modo de demostración si no utiliza dicho reproductor durante un minuto aproximadamente tras encenderlo.

Para salir del modo de demostración, ajuste el reloj del reproductor (página 35), o pulse NO•CANCEL durante unos 2 segundos.

Consejo

La calidad del sonido puede cambiar en función de la polaridad del enchufe de corriente. Cambie el sentido de inserción del enchufe y compruebe la calidad del sonido.

4 Inserción de las pilas en el mando a distancia



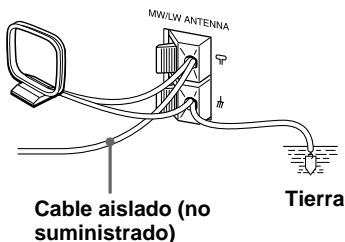
Inserte dos pilas R6 (tamaño AA) (no suministradas).

Sustitución de las pilas

Con un uso normal, las pilas deben durar aproximadamente seis meses. Cuando el reproductor no responda al mando a distancia, sustituya todas las pilas por unas nuevas.

Para mejorar la recepción de las emisiones de MW/LW

Conecte un cable aislado de 6 a 15 metros (no suministrado) al terminal MW/LW ANTENNA. Mantenga el cable lo más horizontal posible cerca de una ventana o del exterior. No es preciso desconectar la antena cerrada de MW/LW suministrada.

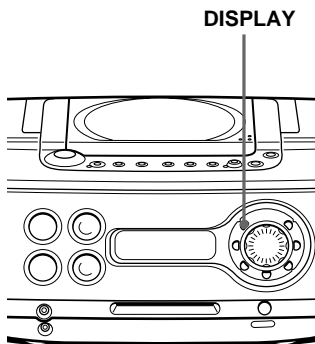


Importante

Si utiliza una antena exterior, asegúrese de conectar el terminal \hbar a tierra contra descargas eléctricas. Para evitar explosiones de gas, no conecte el cable de puesta a tierra a una tubería de gas.

Ajuste del contraste del visor

Puede ajustar el contraste del visor.

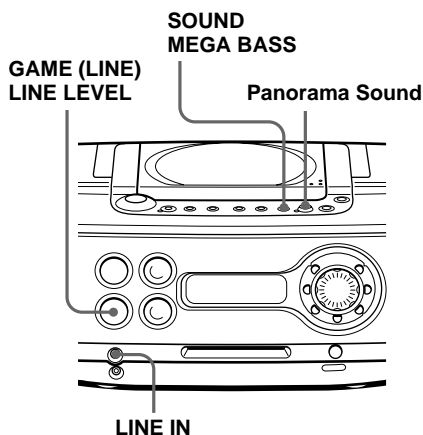


- 1 Con la alimentación desactivada, pulse y mantenga pulsado DISPLAY durante unos 2 segundos.
"Contrast" aparece en el visor.
- 2 Gire el dial de control para ajustar el contraste del visor.
Puede ajustar el contraste dentro del margen de -7 a $+7$.

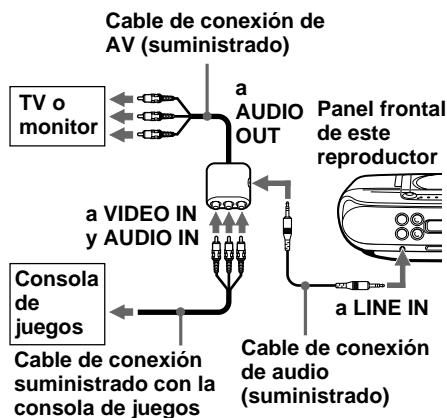
Conexión de una consola de juegos u otros componentes opcionales

Puede disfrutar del sonido de una consola de juegos o TV, etc. a través de los altavoces de este reproductor.

Asegúrese de desactivar la alimentación de todos los componentes antes de realizar las conexiones. Para obtener más información, consulte las instrucciones del componente que vaya a conectar.



Conexión de una consola de juegos

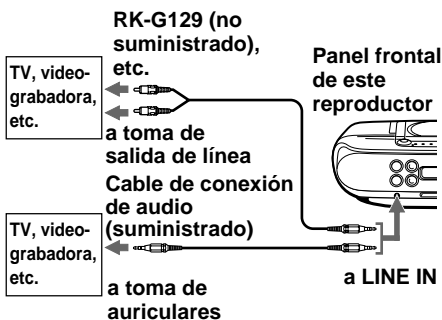


- 1 Conecte el cable de conexión de AV suministrado a la consola de juegos y al TV o monitor.
- 2 Conecte el cable de conexión de audio suministrado al cable de conexión de AV suministrado y a la toma LINE IN de este reproductor.
- 3 Pulse GAME (LINE)•LINE LEVEL hasta que “GAME (LINE)” aparezca en el visor.
- 4 Inicie el funcionamiento de la consola de juegos.
- 5 Pulse Panorama Sound para seleccionar la calidad de sonido que desee.

Nota

Cuando el cable de conexión de audio suministrado esté conectado al cable de conexión de AV suministrado, no podrá escuchar el sonido del TV o monitor.

Conexión de un TV o una videograbadora



Una vez finalizadas las conexiones, encienda el reproductor y pulse GAME (LINE)•LINE LEVEL para que aparezca “GAME (LINE)”.

Nota

Conecte los cables firmemente con el fin de evitar fallos de funcionamiento.

Grabación del sonido de los componentes conectados

- 1 Inserte un MD grabable.
- 2 Pulse GAME (LINE)•LINE LEVEL para que aparezca “GAME (LINE)”.
- 3 Pulse REC•REC MODE.
El reproductor entra en espera de grabación.
- 4 Pulse MD ►►.
La grabación se inicia.
- 5 Inicie la reproducción en el componente opcional conectado a la toma LINE IN del reproductor.

Consejo

Si no se introduce sonido durante más de 2 segundos durante la grabación, se registrará una marca de pista automáticamente.

Si el volumen del componente conectado a la toma LINE IN es demasiado alto

Pulse GAME (LINE)•LINE LEVEL varias veces para que aparezca “Level: High” (“Level: Normal” en condiciones normales) o reduzca el volumen del componente conectado.

Precauciones

Seguridad

- Puesto que el haz láser utilizado en la sección del reproductor de CD y MD es perjudicial para los ojos, no intente desmontar la caja. Solicite asistencia técnica únicamente a personal especializado.
- Si se introduce algún objeto sólido o líquido en el reproductor, desenchúfelo y haga que sea examinado por personal especializado antes de volver a utilizarlo.

Fuentes de alimentación

- El reproductor no estará desconectado de la fuente de alimentación de CA (toma de corriente) mientras esté conectado a la toma mural, aunque haya apagado el propio reproductor.
- Cuando no vaya a utilizar las pilas, extráigalas para evitar daños que pueden producirse por la fuga o corrosión de las mismas.
- La placa de características que indica la tensión de funcionamiento, consumo de energía, etc. está situada en la parte inferior.

Ubicación

- No deje el reproductor cerca de fuentes de calor, ni en lugares sujetos a la luz solar directa, polvo excesivo o golpes mecánicos.
- No coloque el reproductor en lugares inclinados ni inestables.
- No coloque nada a una distancia inferior a 10 mm del lateral del sistema. Los orificios de ventilación no deben bloquearse con el fin de que el reproductor funcione correctamente y prolongar la duración de sus componentes.
- Si deja el reproductor en un automóvil aparcado al sol, elija un lugar dentro de dicho automóvil en el que el reproductor no quede expuesto a los rayos directos del sol.
- Puesto que los altavoces utilizan un imán potente, mantenga las tarjetas personales de crédito que utilicen codificación magnética o los relojes de cuerda alejados del reproductor para evitar posibles daños producidos por dicho imán.

Utilización

- Si traslada el reproductor directamente de un lugar frío a uno cálido, o si lo instala en una sala muy húmeda, es posible que se condense humedad en las lentes del interior de la sección de reproductor de CD y MD. Si esto ocurre, el reproductor no funcionará correctamente. En este caso, extraiga el CD o MD y espere una hora aproximadamente hasta que se evapore la humedad.

Si desea realizar alguna consulta o solucionar algún problema referente al reproductor, consulte con el proveedor Sony más próximo.

Notas sobre los discos compactos

- Antes de realizar la reproducción, limpie el CD con un paño de limpieza. Hágalo desde el centro hacia los bordes.

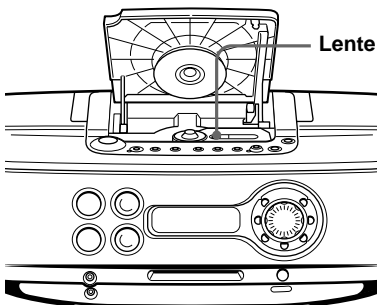


- No utilice disolventes como bencina, diluyente, limpiadores disponibles en el mercado ni aerosoles antiestáticos para discos de vinilo.
- No exponga el CD a la luz solar directa ni a fuentes de calor, como conductos de aire caliente, ni lo deje en un automóvil aparcado bajo la luz solar directa, ya que puede producirse un considerable aumento de temperatura en el interior del mismo.
- No adhiera papel ni pegatinas en el CD, ni arañe su superficie.
- Después de la reproducción, guarde el CD en su caja.

Si el CD está arañado, sucio o hay huellas dactilares en el mismo, pueden producirse errores de lectura.

Limpieza de la lente

Si la lente se ensucia, puede causar pérdidas de sonido durante el funcionamiento del CD. Límpiela con un soplador disponible en el mercado.

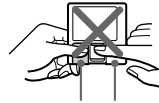


Limpieza del exterior

Limpie el exterior, el panel y los controles con un paño suave ligeramente humedecido con una solución detergente poco concentrada. No utilice estropajos abrasivos, detergente en polvo ni disolventes, como alcohol o bencina.

Notas sobre los minidisos

- No abra el obturador de forma que el MD quede expuesto. Cierre el obturador inmediatamente si se abre.



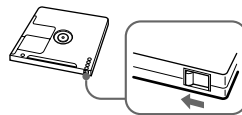
Obturador Cartucho

- Limpie el cartucho del disco con un paño seco para eliminar la suciedad.
- Adhiera la etiqueta suministrada con el MD solamente en el espacio especificado. No la adhiera alrededor del obturador ni en otros lugares. Tenga en cuenta que la forma del espacio depende del MD.

Protección de un MD grabado

Para proteger minidisos contra grabaciones accidentales, deslice y abra la lengüeta del lateral del MD, de forma que dicha lengüeta quede oculta.

En esta posición, no es posible grabar en el MD. Para grabar en el MD, deslice y cierre la lengüeta.



Deslice y abra la lengüeta.

Limitaciones de sistema del MD

El sistema de grabación de la grabadora MiniDisc es completamente diferente a los utilizados en platinas de casetes y DAT, y el sistema presenta las limitaciones que se describen a continuación. No obstante, tenga en cuenta que estas limitaciones se deben a la naturaleza inherente del propio sistema de grabación de MD y no a causas mecánicas.

“Disc Full” aparece en el visor incluso antes de que el MD alcance el tiempo máximo de grabación (60, 74 u 80 minutos).

Una vez grabadas 255 pistas en el MD, aparece “Disc Full” independientemente del tiempo total grabado. No es posible grabar más de 255 pistas en el MD. Para seguir grabando, borre las pistas innecesarias.

“Disc Full” aparece en el visor incluso antes de que el MD alcance el número de pistas o tiempo de grabación máximos.

La realización de varias grabaciones y borrados puede causar la fragmentación y diseminación de datos. Aunque los datos diseminados puedan leerse, cada fragmento se contabiliza como una pista. En este caso, el número de pistas puede llegar a ser de 255 imposibilitando grabar más. Para realizar más grabaciones, borre las pistas innecesarias.

El tiempo restante de grabación no aumenta aunque borre varias pistas cortas.

Las pistas de duración inferior a 12 segundos no se contabilizan, por lo que al borrarlas el tiempo de grabación puede no aumentar.

Algunas pistas no pueden combinarse con otras.

Es posible que la combinación de pistas no pueda realizarse si la duración de éstas es inferior a 12 segundos.

No es posible combinar las pistas grabadas en estéreo y las grabadas en monofónico.

El tiempo total de grabación y el restante del MD pueden no alcanzar el tiempo máximo de grabación (60, 74 u 80 minutos).

La grabación se realiza en unidades mínimas de 2 segundos cada una, independientemente de la longitud del material. Por tanto, es posible que el contenido grabado sea inferior a la capacidad máxima de grabación. Los arañazos en los discos también pueden reducir el espacio de éstos.

Pueden producirse pérdidas de sonido durante el avance o el retroceso rápido de las pistas editadas.

Las pistas creadas mediante edición pueden presentar pérdidas de sonido durante el avance o el retroceso rápido, ya que la reproducción a alta velocidad tarda en buscar la posición en el disco cuando las pistas están diseminadas en éste.

Guía del sistema de gestión de copias en serie

Los equipos de audio digital, como discos compactos, minidiscos, cintas DAT, etc., permiten copiar música fácilmente con alta calidad, puesto que estos productos procesan la música como señal digital. El Sistema de gestión de copias en serie permite realizar sólo una copia de una fuente digital grabada mediante conexiones digital-a-digital, ya que los programas musicales pueden estar protegidos con copyright.

Este sistema se aplica a este reproductor.

Es posible realizar sólo una copia de primera generación* mediante una conexión digital-a-digital.

Esto significa lo siguiente:

- 1** Puede realizar una copia de un programa de sonido digital disponible en el mercado (por ejemplo, un CD, MD, etc.), pero no es posible realizar una segunda copia a partir de la copia de primera generación.
- 2** Puede realizar una copia de una señal digital a partir de un programa de sonido analógico grabado digitalmente disponible en el mercado (por ejemplo, un disco analógico, una cinta de casete de música, etc.) o a partir de emisiones vía satélite digital, pero no es posible realizar una segunda copia.

Nota

No se aplican restricciones cuando una señal digital está grabada como analógica (es decir, cuando una señal digital está grabada mediante conexión analógico-a-analógico).

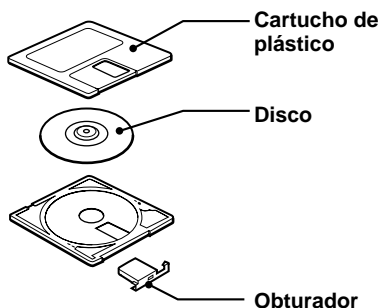
* Una copia de primera generación es una grabación digital de una señal digital realizada en equipos de audio digital mediante una conexión digital-a-digital.

Descripción del MD

Estructura

El MD (minidisco) de 2,5 pulgadas es compacto, de fácil manejo y requiere pocos cuidados, ya que se encuentra alojado en un cartucho de plástico, cuyo aspecto es similar a los disquetes de 3,5 pulgadas (consulte las siguientes ilustraciones).

Partes que componen un minidisco



Tipos de discos

Los minidiscos son de dos tipos: de grabación comercial (pregrabados) y grabables (vírgenes). No es posible grabar en minidiscos de grabación comercial como las cintas de casete. Para grabar, debe utilizarse un "MD grabable".

Minidiscos de grabación comercial

Estos minidiscos se graban y reproducen como los discos compactos normales. Un haz láser enfoca las hendiduras de la superficie del MD y devuelve la información a la lente de la grabadora. A continuación la grabadora decodifica las señales y las reproduce como música.



Descripción del MD (continuación)

Minidiscos grabables

Los minidiscos grabables, que utilizan tecnología magneto-óptica (MO), pueden grabarse varias veces. El láser del interior de la grabadora aplica calor al MD, desmagnetizando la capa magnética de dicho MD. La grabadora aplica a continuación un campo magnético a la capa. Este campo magnético corresponde exactamente a las señales de audio generadas por la fuente conectada. (Las polaridades norte y sur equivalen a "1" y "0" digital.) El MD desmagnetizado adopta la polaridad del campo magnético, dando como resultado un MD grabado.



Características

Grabación de larga duración

El MD utiliza una nueva tecnología de compresión de audio digital denominada Adaptive TRansform Acoustic Coding (ATRAC). Para almacenar más sonido en menos espacio, ATRAC extrae y codifica solamente los componentes de frecuencia audibles para el oído humano.

Acceso rápido aleatorio

Al igual que los discos compactos, los minidiscos ofrecen acceso aleatorio instantáneo al principio de cualquier pista musical. Los minidiscos de grabación comercial se graban con direcciones de ubicación que corresponden a cada pista musical.

Memoria resistente a golpes

Una desventaja importante de los sistemas de lectura óptica es que omiten o silencian el sonido cuando está expuesto a vibraciones. El sistema MD resuelve este problema utilizando una memoria intermedia que almacena datos de audio.

Solución de problemas

General

Ausencia de sonido.

- Pulse OPERATE para encender el reproductor.
- Conecte firmemente el cable de corriente.
- Ajuste el volumen.
- Desconecte los auriculares de la toma Ω cuando escuche el sonido mediante altavoces.
- Espere hasta que "TOC Reading" desaparezca del visor.

La imagen del TV es inestable.

- Aleje el reproductor del TV.

Aparecen varias indicaciones en el visor una tras otra.

- El reproductor está en el modo de demostración.
 - Ajuste el reloj o pulse NO•CANCEL durante unos 2 segundos para salir del modo de demostración.

Se oye ruido.

- Alguien utiliza un teléfono móvil u otro equipo que emite ondas de radio cerca del reproductor.
 - Aleje el teléfono móvil, etc., del reproductor.

Reproductor de CD

El CD no se reproduce./"No Disc" se ilumina en el visor aunque haya un CD insertado.

- Compruebe que el compartimiento de CD está cerrado.
- Coloque el CD con la superficie de la etiqueta hacia arriba.
- Límpielo.
- Extraiga el CD y deje el compartimiento abierto durante una hora aproximadamente hasta que se seque la condensación de humedad.
- Los discos CD-RW no pueden reproducirse en este reproductor.

Se producen pérdidas de sonido.

Se oye ruido.

- Reduzca el volumen.
- Limpie el CD, o sustitúyalo si está dañado.
- Coloque el reproductor en un lugar sin vibraciones.

- Si el CD se ha grabado mediante un ordenador personal (CD-R, etc.), el sonido puede perderse u oírse ruido.

Reproductor de MD

No es posible extraer un MD parcialmente insertado.

- El sistema de autobloqueo del reproductor de MD ha bloqueado el MD. Inserte éste por completo y después pulse ▲.

“Disc Error” se ilumina en el visor y el reproductor no funciona.

- Extraiga el MD e insértelo de nuevo. Si “Disc Error” sigue apareciendo, sustituya el MD. Borre todas las pistas del MD (página 26).

“--:--:--” aparece en el visor en lugar del tiempo de reproducción o del restante.

- Este reproductor puede mostrar 159 minutos y 59 segundos como tiempo máximo. Si el tiempo es superior al mencionado, aparecerá con la forma “--:--:--”.

El MD no se reproduce.

- Extraiga el MD y deje el reproductor en un lugar cálido durante varias horas hasta que se evapore la humedad.
- Ha insertado el MD incorrectamente. Deslice el MD por el compartimiento de discos con el lado de la etiqueta hacia arriba y la flecha hacia la abertura hasta que el reproductor lo introduzca.
- El MD puede estar en blanco (el calendario musical no aparece). Sustituya el disco por uno grabado.

El MD no se graba.

- El MD está protegido contra grabaciones (aparece “Protected”). Cierre la ranura de protección contra grabaciones.
- La pista se ha protegido con otra grabadora de MD (aparece “Trk Protect”). Cancele la protección de la pista en la misma grabadora de MD en la que la protegió.
- El reproductor no está correctamente conectado a la fuente de sonido. Realice las conexiones adecuadamente a la fuente de sonido.
- Ha insertado un MD de grabación comercial. Sustitúyalo por uno grabable.
- No queda suficiente espacio en el MD. Sustitúyalo por otro grabable con suficiente espacio, o borre pistas innecesarias.

- Se ha producido una interrupción del suministro eléctrico. El cable de corriente se ha desconectado. Los datos grabados hasta ese punto pueden haberse perdido. Repita el procedimiento de grabación.

Se producen pérdidas en el sonido grabado.

- El sonido se grabó a alto volumen. Grabe de nuevo a un volumen menor.

Radio

Un programa estéreo no puede recibirse en estéreo.

- Pulse MODE hasta que “Stereo” aparezca en el visor (página 11).

El sonido es débil o de mala calidad.

- La emisión de FM en estéreo puede presentar ruido (página 11).
- Aleje el reproductor del TV.
- Si emplea el mando a distancia mientras escucha una emisión de MW/LW, es posible que se oiga ruido. Esto es inevitable.
- Aleje la antena cerrada de MW/LW del reproductor.

Temporizador

El temporizador no funciona.

- Compruebe que la hora que muestra el reloj sea correcta.
- Compruebe si se ha producido un corte en el suministro de alimentación de CA.
- Compruebe que “TIMER” aparece en el visor.
- Compruebe y cambie la hora de inicio/parada programada si ambas horas son las mismas.

continúa

Mando a distancia

El mando a distancia no funciona.

- Sustituya todas las pilas del mando a distancia por unas nuevas si disponen de poca energía (página 41).
 - Cerciórese de que orienta el mando a distancia hacia el sensor de control remoto del reproductor.
 - Elimine los obstáculos que haya entre el mando a distancia y el reproductor.
 - Compruebe que el sensor de control remoto no esté expuesto a iluminaciones intensas, como a la luz solar directa o a lámparas fluorescentes.
 - Acérquese al reproductor cuando utilice el mando a distancia.
-

El funcionamiento puede ser inestable en función de la fuente de alimentación u otras causas, ya que este reproductor emplea un microprocesador para enlazar cada operación. **Si se producen problemas no descritos anteriormente, desconecte el cable de corriente de la toma mural, y conéctelo a ésta de nuevo tras unos 20 segundos. Si el problema persiste, pulse y mantenga pulsado MODE, NO•CANCEL y YES•ENTER en este orden.** (En este caso, el reloj, el temporizador o las emisoras de radio memorizadas recuperan los valores iniciales. Ajuste dichos elementos de nuevo si es necesario.) Si el problema sigue persistiendo, consulte con el proveedor Sony más próximo.

Mensajes de error

Si se produce algún problema, uno de los siguientes mensajes de error puede parpadear en el visor.

Este mensaje parpadeará	Si
Blank Disc	intenta reproducir un MD sin grabar.
Cannot Edit	intenta utilizar la función de combinación en la primera pista del MD.
Disc Error	inserta un MD dañado o uno que no disponga de TOC (información sobre el contenido de grabación).
Disc Full	no queda más espacio para grabar o editar en el MD. (Consulte “Limitaciones de sistema del MD” en la página 46.)
Error	intenta programar la 21ª pista. Puede programar hasta 20 pistas. intenta grabar la reproducción aleatoria del CD utilizando la función de grabación sincronizada. intenta ajustar el reproductor en el modo de espera de temporizador sin haber puesto el reloj en hora.
Name Full	la capacidad de etiquetado del MD ha alcanzado su límite. Cada etiqueta puede componerse de hasta 100 caracteres. Es posible introducir hasta unos 1 700 caracteres en cada MD.
No Disc	intenta reproducir o grabar sin haber insertado un CD o MD en el reproductor.
No MD	intenta reproducir o grabar sin haber insertado un MD en el reproductor (en el caso de grabación sincronizada, etc.).
PB Disc	intenta grabar o editar en un MD de grabación comercial (PB significa reproducción).
Protected	intenta grabar o editar en un MD con la lengüeta en la posición de protección contra grabaciones.
Sorry	intenta editar, ignorando las limitaciones de sistema del MD. (Consulte la página 46.)
Trk Protect	intenta grabar o editar una pista ya protegida con otras grabadoras de MD.

Especificaciones

Sección del reproductor de CD

Sistema

Sistema de audio digital de discos compactos

Propiedades del diodo láser

Material: GaAlAs

Longitud de onda: 785 nm

Duración de la emisión: Continua

Salida de láser: Inferior a 44,6 μ W

(Esta salida es el valor medido a una distancia de unos 200 mm de la superficie de la lente objetiva del bloque de recogida óptica con una apertura de 7 mm.)

Velocidad del eje

200 r/min (rpm) a 500 r/min (rpm) (CLV)

Número de posiciones de programa

2

Respuesta de frecuencia

20 - 20 000 Hz $\pm 1/-2$ dB

Fluctuación y trémolo

Inferior al límite medible

Sección de la radio

Margen de frecuencias

FM: 87,5 - 108 MHz

MW: 531 - 1 602 kHz (intervalo de 9 kHz)

530 - 1 610 kHz (intervalo de 10 kHz)

LW: 153 - 279 kHz

IF FM: 10,7 MHz

MW/LW: 450 kHz

Antenas

FM: Antena telescópica

MW/LW: Terminales de antena externa

Sección del reproductor de MD

Sistema

Sistema de audio digital de minidiscos

Disco

MiniDisc

Propiedades del diodo láser

Material: GaAlAs

Longitud de onda: 785 nm

Duración de la emisión: Continua

Salida de láser: Inferior a 44,6 μ W

(Esta salida es el valor medido a una distancia de unos 200 mm de la superficie de la lente objetiva del bloque de recogida óptica con una apertura de 7 mm.)

Tiempo de grabación/reproducción

Grabación en estéreo:

Máximo 80 minutos (con MDW-80)

Grabación en monofónico:

Máximo 160 minutos (con MDW-80)

Revoluciones

400 rpm a 900 rpm (CLV)

Corrección de error

Advanced Cross Interleave Reed Solomon Code

(ACIRC)

Frecuencia de muestreo

44,1 kHz

Codificación

Adaptive Transform Acoustic Coding (ATRAC)

Sistema de modulación

EFM (Eight-to-Fourteen Modulation)

Número de posiciones de programa

2 posiciones de programa estéreo

Respuesta de frecuencia

20 - 20 000 Hz $\pm 1/-2$ dB

Relación señal-ruido

Superior a 80 dB (durante la reproducción)

Fluctuación y trémolo

Inferior al límite medible

Generales

Altavoz

Gama completa: 8 cm de diámetro, 4 Ω , tipo cónico (2)

Sonido Panorama: 5 cm de diámetro, 12 Ω , tipo cónico (2)

Entradas

LINE IN (minitoma estéreo): Sensibilidad de 436 mV/870 mV

Salidas

Toma de auriculares (minitoma estéreo) (1):

Para auriculares de impedancia de 32 Ω

Salida de potencia máxima

Gama completa: 8 W

Sonido Panorama: 3,4 W

Requisitos de alimentación

Para sistema personal de minidiscos:

230 V CA, 50 Hz

Para respaldo de la memoria:

4,5 V CC, 3 pilas R6 (tamaño AA)

Para mando a distancia:

3 V CC, 2 pilas R6 (tamaño AA)

Consumo de energía

26 W

Dimensiones (incluidas partes salientes)

aprox. 475 \times 165,5 \times 249 mm (an/al/prf)

Peso

aprox. 4,6 kg

Accesorios suministrados

Cable de corriente (1)

Mando a distancia (1)

Antena cerrada de MW/LW (1)

Cable de conexión de AV (1)

Cable de conexión de audio (1)

Accesorios opcionales

Auriculares Sony de la serie MDR

Patentes de EE.UU. y extranjeras con licencia de Dolby

Laboratories Licensing Corporation.

Diseño y especificaciones sujetos a cambios sin previo aviso.

Índice alfabético

A, B

- Ajuste
 - contraste 42
 - graves 34
 - volumen 5, 9, 11
- ATRAC 48
- AUTO PRESET 17

C

- Comprobación del tiempo de reproducción
 - un CD 12
 - un MD 12
- Conexión
 - antena 40
 - cable de corriente 41
 - componentes opcionales 42
- Conexiones. Consulte Conexión
- Creación de su propio programa 15

D

- Descripción del MD 47

E

- Edición 25
- Emisoras de radio
 - memorización 17
 - recepción 10

F

- Fuentes de alimentación 41
- Función de borrado 25
- Función de combinación 28
- Función de desplazamiento 29
- Función de división 27
- Función de nombre 30

G, H

- Grabación monofónica 22
- Grabación
 - en un MD 6, 19 - 24, 38
 - un CD 6, 21

I, J, K

- Instalación 40

L

- Limitaciones de sistema 46
- Limpieza 45
- Localización de pistas específicas 13
- Localización de un punto específico de una pista 13

M, N, Ñ, O

- MEGA BASS 34
- Mejora de la recepción de las emisiones 11
- Memorización de emisoras de radio 17
- Mensaje de error 51
- Modo de demostración 41

P, Q, R

- Pilas
 - para el mando a distancia 41
 - para respaldo de la memoria 40

R

- Recepción de la radio 10
- Reloj 35
- Reproducción aleatoria 15
- Reproducción de programa 15
- Reproducción repetida 14
- Reproducción
 - emisoras de radio memorizadas 18
 - pistas de forma repetida 14
 - un CD 4
 - un MD 8
- Reproductor de CD 12
- Reproductor de MD 12

S

- Sistema de gestión de copias en serie 46
- Solución de problemas 48
- Sonido Panorama 34

T

- Temporizador
 - grabación 38
 - reproducción 36

U

- Uso
 - del visor 12

V, X, Y, Z

- Visor 12

Free Manuals Download Website

<http://myh66.com>

<http://usermanuals.us>

<http://www.somanuals.com>

<http://www.4manuals.cc>

<http://www.manual-lib.com>

<http://www.404manual.com>

<http://www.luxmanual.com>

<http://aubethermostatmanual.com>

Golf course search by state

<http://golfingnear.com>

Email search by domain

<http://emailbydomain.com>

Auto manuals search

<http://auto.somanuals.com>

TV manuals search

<http://tv.somanuals.com>