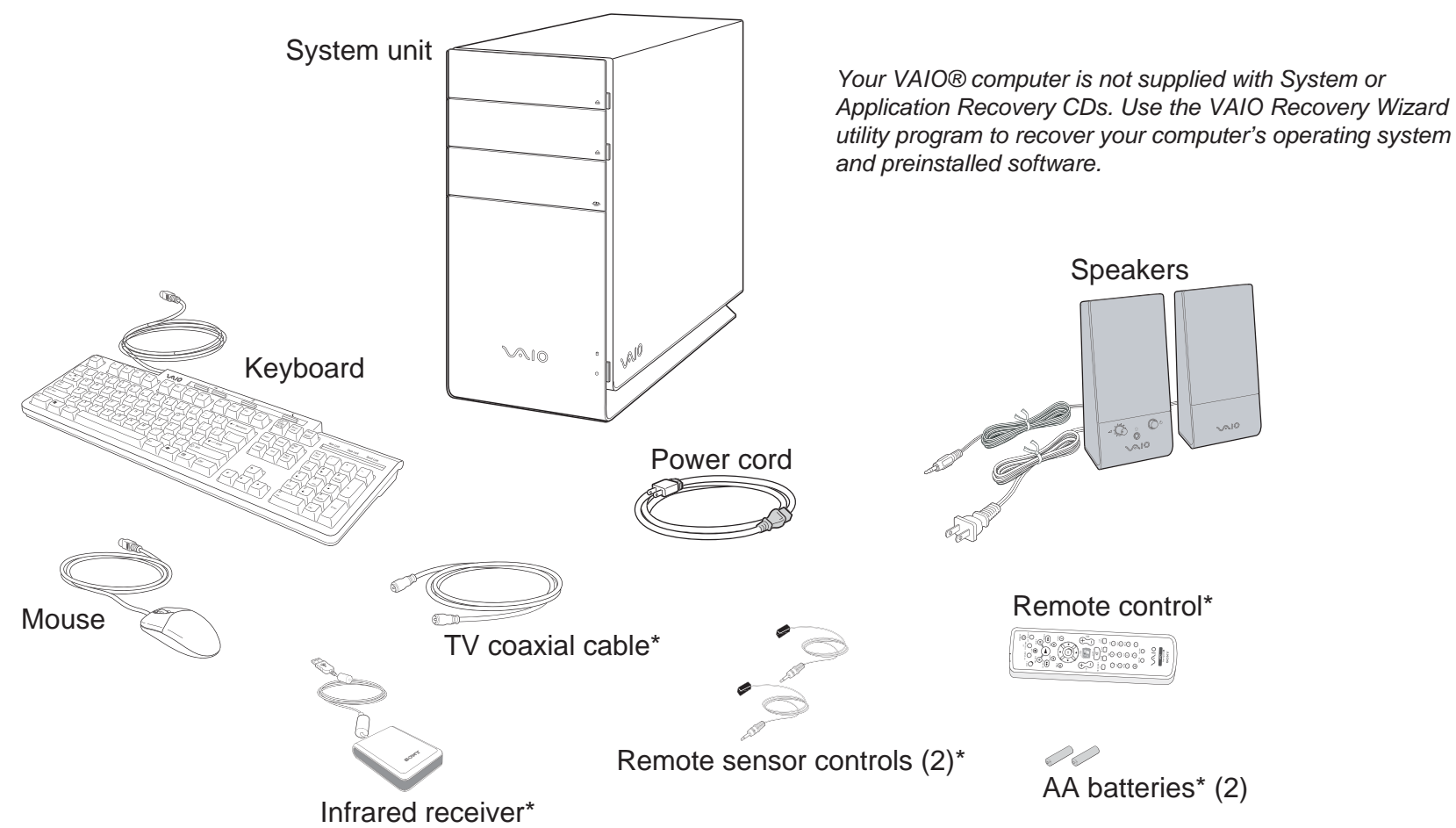




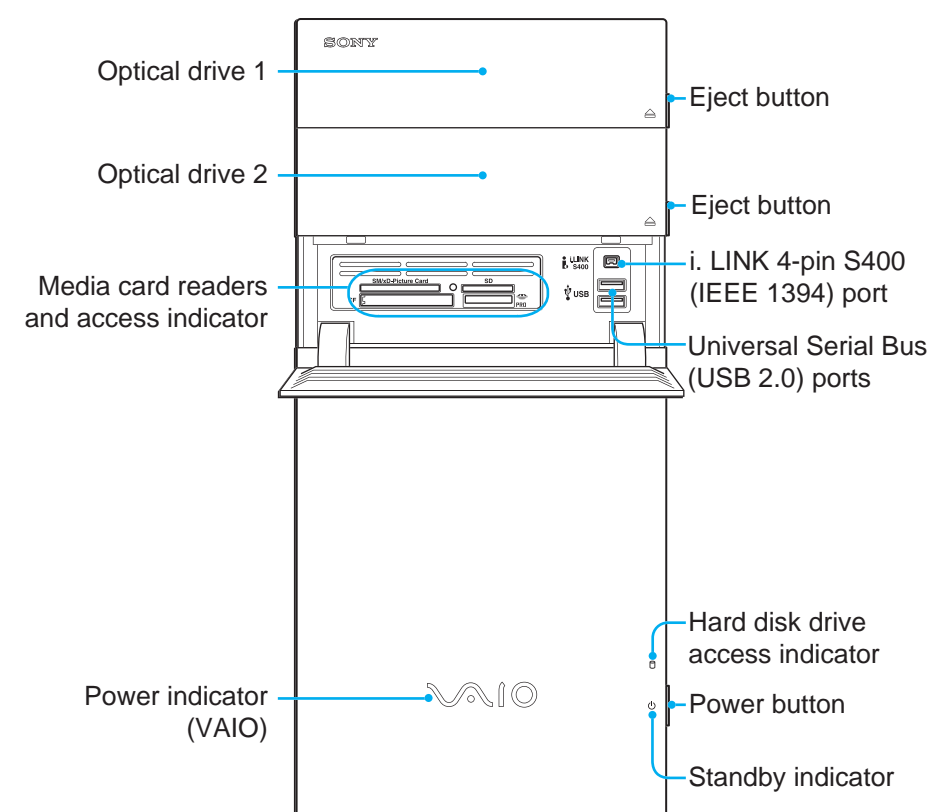
Meet your new VGC-RB30 Series



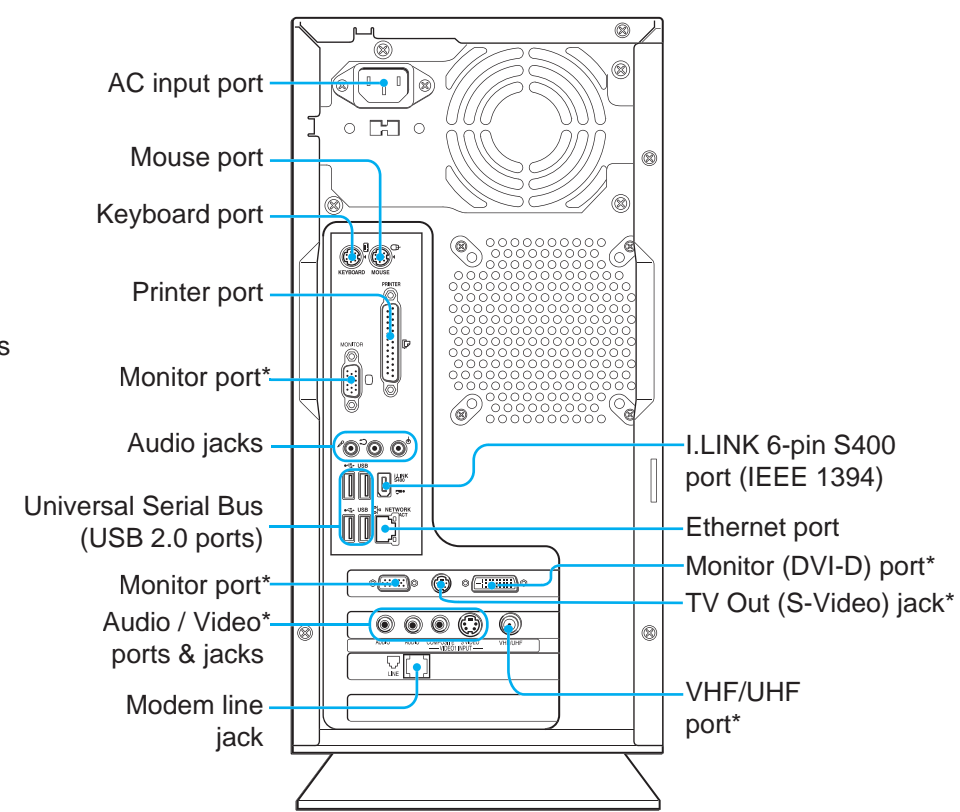
Your VAIO® computer is not supplied with System or Application Recovery CDs. Use the VAIO Recovery Wizard utility program to recover your computer's operating system and preinstalled software.

*Not supplied with all VAIO® computer models. For details on the accessories supplied with your computer, see the online Specifications sheet.

Front Panel



Back Panel

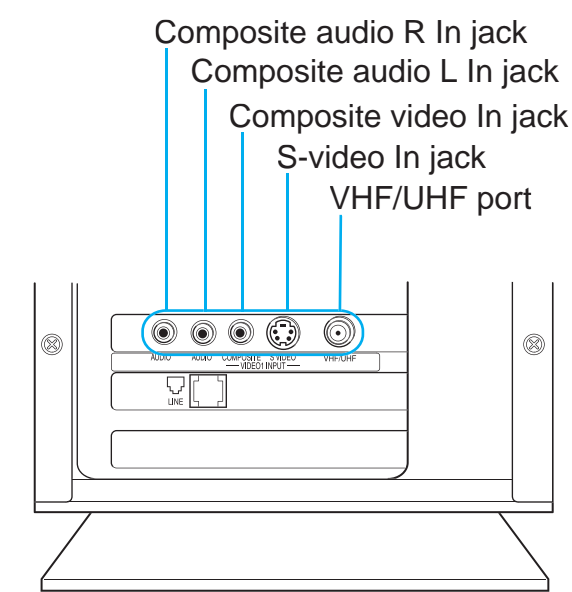


*Not available with all VAIO® computer models.



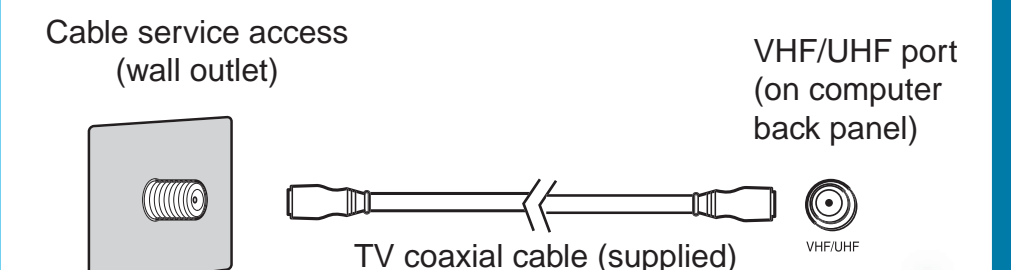
2-589-703-01 © 2005 Sony Electronics Inc. All rights reserved. Printed in USA.

Locating Audio / Video



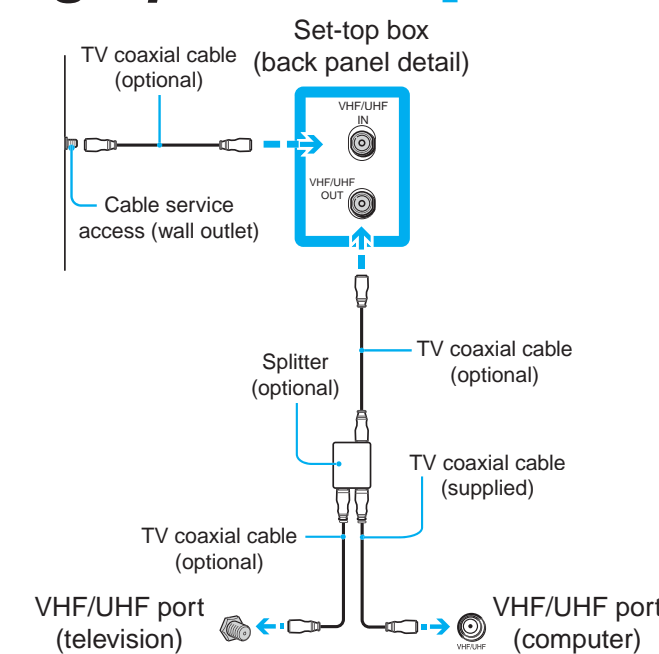
This feature is not available with all VAIO® computer models.

Setting up Cable access



This feature is not available with all VAIO® computer models.

Setting up Set-top box



This feature is not available with all VAIO® computer models.

Starting Media Center

Your VAIO® computer is enhanced with the Microsoft® Windows® XP Media Center Edition* operating system.

Use the Media Center setup wizard to activate and configure your audio/visual settings.

Using the remote control

- 1 Point the remote control at the remote sensor and press .
- 2 Use the arrow buttons on the remote control to locate and select menu options. Press **OK** to activate your selection.

Using the mouse

- 1 Click **Start > Media Center**.
- 2 Use the mouse to locate and select menu options. Click to activate your selection.

*The Microsoft® Windows® XP Media Center Edition operating system is available on certain VAIO® computers. See your online specifications sheet for more information about your computer's operating system.

Hard Disk Drive Recovery

Your computer is equipped with the VAIO Recovery Wizard, a utility program that recovers your computer's operating system and preinstalled software to original factory-installed settings.

For online information about hard disk recovery:

- 1 Click **Start > Help and Support**.
- 2 From the **VAIO Help And Support Center** menu, click **VAIO Recovery Options**.

To access the VAIO Recovery Wizard utility from Windows XP:

- 1 Click **Start > Control Panel > Performance and Maintenance**.
- 2 From the **Performance and Maintenance** window, click **VAIO Recovery Wizard**.

Support Options

VAIO® Computer User Guide

The VAIO® Computer User Guide provides detailed information on how to maximize your computer capabilities and solve common problems.

- 1 Click **Start > Help and Support**.
- 2 From the **VAIO Help And Support Center** menu, click **VAIO User Guide**.

VAIO® Computer Specifications sheet

The online specification sheet describes the hardware and software configuration of your VAIO computer model.

- 1 Connect to the Internet.
- 2 Go to <http://www.sony.com/pcsupport>.
- 3 Click the **Documentation** link and follow the on-screen instructions to locate your model's specification sheet.

*The Sony online Support Web site provides technical support and links to helpful information about your VAIO computer.

Free Manuals Download Website

<http://myh66.com>

<http://usermanuals.us>

<http://www.somanuals.com>

<http://www.4manuals.cc>

<http://www.manual-lib.com>

<http://www.404manual.com>

<http://www.luxmanual.com>

<http://aubethermostatmanual.com>

Golf course search by state

<http://golfingnear.com>

Email search by domain

<http://emailbydomain.com>

Auto manuals search

<http://auto.somanuals.com>

TV manuals search

<http://tv.somanuals.com>