

SONY®

***VAIO® Computer
Quick Start***

PCV-V100G

Notice

© 2003 Sony Electronics Inc. Reproduction in whole or in part without written permission is prohibited. All rights reserved. This manual and the software described herein, in whole or in part, may not be reproduced, translated, or reduced to any machine-readable form without prior written approval.

SONY ELECTRONICS INC. PROVIDES NO WARRANTY WITH REGARD TO THIS MANUAL, THE SOFTWARE, OR OTHER INFORMATION CONTAINED HEREIN AND HEREBY EXPRESSLY DISCLAIMS ANY IMPLIED WARRANTIES OF MERCHANTABILITY OR FITNESS FOR ANY PARTICULAR PURPOSE WITH REGARD TO THIS MANUAL, THE SOFTWARE, OR SUCH OTHER INFORMATION. IN NO EVENT SHALL SONY ELECTRONICS INC. BE LIABLE FOR ANY INCIDENTAL, CONSEQUENTIAL, OR SPECIAL DAMAGES, WHETHER BASED ON TORT, CONTRACT, OR OTHERWISE, ARISING OUT OF OR IN CONNECTION WITH THIS MANUAL, THE SOFTWARE, OR OTHER INFORMATION CONTAINED HEREIN OR THE USE THEREOF.

SONY CANNOT WARRANT THAT THE FUNCTIONS DESCRIBED IN THIS GUIDE WILL BE UNINTERRUPTED OR ERROR-FREE. SONY ALSO ASSUMES NO RESPONSIBILITY, AND SHALL NOT BE LIABLE FOR ANY DAMAGES TO, OR VIRUSES THAT MAY INFECT, YOUR COMPUTER EQUIPMENT, OR OTHER PROPERTY ON ACCOUNT OF YOUR ACCESS TO, USE OF, OR BROWSING IN ANY DESCRIBED WEB SITE, OR YOUR DOWNLOADING OF ANY MATERIALS, DATA, TEXT, IMAGES, VIDEO, OR AUDIO FROM ANY DESCRIBED WEB SITE. WEB SITE INFORMATION IS OBTAINED FROM VARIOUS SOURCES AND MAY BE INACCURATE. COPIES OF COPYRIGHTED INFORMATION MAY ONLY BE MADE FOR LEGALLY PERMISSIBLE PURPOSES.

Sony Electronics Inc. reserves the right to make any modification to this manual or the information contained herein at any time without notice. The software described herein is governed by the terms of a separate user license agreement.

This product contains software owned by Sony and licensed by third parties. Use of such software is subject to the terms and conditions of license agreements enclosed with this product. Some of the software may not be transported or used outside the United States. Software specifications are subject to change without notice and may not necessarily be identical to current retail versions.

Certain product(s) included with this computer may include features such as copy protection and content management technology. USE OF THE SOFTWARE PRODUCT(S) REQUIRES AGREEMENT TO APPLICABLE END USER AGREEMENTS AND FULL COMPLIANCE WITH APPLICABLE PRODUCT ACTIVATION PROCEDURES. Product activation procedures and privacy policies will be detailed during initial launch of the software product(s), or upon certain reinstallations of the software product(s), or reconfigurations of the computer, and may be completed by Internet or telephone (toll charges may apply).

Updates and additions to software may require an additional charge. Subscriptions to online service providers may require a fee and credit card information. Financial services may require prior arrangements with participating financial institutions.

Important information for Canadian customers: Your new VAIO computer includes certain software versions or upgrades, and Internet services or offers that are available to U.S. customers only.

Sony, VAIO, the VAIO logo, Click to DVD, DVgate, PictureGear, Giga Pocket, Handycam, MagicGate, Memory Stick, the Memory Stick logo, SonicStage, ImageStation, ATRAC3, and i.LINK are trademarks or registered trademarks of Sony.

Intel and Pentium are trademarks or registered trademarks of the Intel Corporation. Microsoft, Windows, and the Windows logo are trademarks or registered trademarks of the Microsoft Corporation. PS/2 is a registered trademark of the IBM Corporation.

All other trademarks are trademarks or registered trademarks of their respective owners.



WOW, SRS and (O) symbol are trademarks of SRS Labs, Inc.
WOW technology is incorporated under license from SRS
Labs, Inc.



As an ENERGY STAR® Partner, Sony Corporation has
determined that this product meets the ENERGY STAR®
guidelines for energy efficiency.

The International ENERGY STAR® Office Equipment Program is an international program that promotes energy saving through the use of computers and other office equipment. The program backs the development and dissemination of products with functions that effectively reduce energy consumption. It is an open system in which business proprietors can participate voluntarily. The targeted products are office equipment such as computers, displays, printers, facsimiles and copiers. Their standards and logos are uniform among participating nations. ENERGY STAR is a U.S. registered trademark of the Environmental Protection Agency.

Owner's Record

The model and serial numbers are located on the back of your Sony VAIO® computer. Record the model and serial numbers in the space provided here, and keep in a secure location. Refer to the model and serial numbers when you call the Sony Service Center.

Model Number:	
Serial Number:	

Safety Information and Caution

Your computer's installed optical drives may vary, depending on the system configuration you have purchased. See the online specifications sheet for details on your installed optical drives. For questions regarding your product or for the Sony Service Center nearest you, visit the Sony Computing Support Web site at <http://www.sony.com/pcsupport>.

Keyboard Properties (PCVA-KB6)

Carrier frequency	27.095 - 27.145MHz
-------------------	--------------------

Output power	Less than 46 nW
--------------	-----------------

Mouse Properties (PCVA-MS2)

Carrier frequency	27.045 MHz
-------------------	------------

Output power	Less than 100 nW
--------------	------------------

- To prevent fire or shock hazard, do not expose your desktop to rain or moisture.
- To avoid electrical shock, do not open the cabinet. Refer servicing to qualified personnel only.
- Never install modem or telephone wiring during a lightning storm.
- Never install telephone jacks in wet locations unless the jack is specifically designed for wet locations.
- Never touch uninsulated telephone wire or terminals unless the telephone line has been disconnected at the network interface.
- Use caution when installing or modifying telephone lines.
- Avoid using the modem during an electrical storm.
- Do not use the modem or a telephone to report a gas leak in the vicinity of the leak.
- The socket outlet shall be installed near the equipment and shall be easily accessible.



To change the backup battery, please contact your nearest Sony Service Center.



Caution—The use of optical instruments with this product will increase eye hazard. As the laser beam used in this product is harmful to the eyes, do not attempt to disassemble the drive cabinet. Refer servicing to qualified personnel only.



Danger—Visible and invisible laser radiation when open. Avoid direct exposure to beam.



For DVD-ROM/CD-RW: Danger—Visible and invisible laser radiation when open. Avoid direct exposure to beam.



Caution—For ADSL and V.90 modem models; to reduce the risk of fire, use only No. 26 AWG or larger telecommunication line cord.

-
- Pour prévenir tout risque d'incendie ou d'électrocution, garder cet appareil à l'abri de la pluie et de l'humidité.
 - Pour prévenir tout risque d'électrocution, ne pas ouvrir le châssis de cet appareil et ne confier son entretien qu'à une personne qualifiée.
 - Ne jamais effectuer l'installation de fil modem ou téléphone durant un orage électrique.
 - Ne jamais effectuer l'installation d'une prise téléphonique dans un endroit mouillé à moins que la prise soit conçue à cet effet.
 - Ne jamais toucher un fil téléphonique à découvert ou un terminal à moins que la ligne téléphonique n'ait été débranché de l'interface réseau.
 - Soyez très prudent lorsque vous installez ou modifiez les lignes téléphoniques.
 - Évitez d'utiliser le modem durant un orage électrique.
 - N'utilisez pas le modem ni le téléphone pour prévenir d'une fuite de gaz vous êtes près de la fuite.
 - L'appareil doit être le plus près possible d'une prise murale pour en faciliter l'accès.



Pour changer la pile de recharge, veuillez contacter votre centre de service Sony le plus près.



Avertissement: L'utilisation d'instruments optiques avec ce produit augmente les risques pour les yeux. Puisque le faisceau laser utilisé dans ce produit est dommageable pour les yeux, ne tentez pas de désassembler le boîtier. Adressez-vous à un agent de service qualifié.



Danger: Radiation laser visible et invisible si ouvert. Évitez l'exposition directe au faisceau.



Pour les DVD-ROM/CD-RW: Danger—Radiation laser visible si ouvert. Évitez l'exposition directe au faisceau.



Attention: Pour ADSL et V.90 modele modem; afin de réduire les risques d'incendie, n'utilisez qu'un cordon de communication NO. 26 AWG ou plus gros.

Regulatory Information

Declaration of Conformity

Trade Name: SONY
Model No.: PCV-V100G
Responsible Party: Sony Electronics Inc.
Address: 680 Kinderkamack Rd. Oradell, NJ 07649
Telephone: 201-930-6972

This phone number is for FCC-related matters only.

This device complies with Part 15 of the FCC rules. Operation is subject to the following two conditions:

- (1) This device may not cause harmful interference, and
- (2) this device must accept any interference received, including interference that may cause undesired operation.

This device complies with RSS-210 of the IC Standards.

Operation is subject to the following two conditions:

- (1) This device may not cause harmful interference, and
- (2) this device must accept any interference received, including interference that may cause undesired operation of the device.

Cet appareil est conforme avec la norme RSS-210 d'IC.

L'utilisation de ce dispositif est autorisée seulement aux conditions suivantes:

- (1) Il ne doit pas produire de brouillage, et
- (2) l'utilisateur doit être prêt à accepter tout brouillage radioélectrique reçu, même si celui-ci est susceptible de compromettre le fonctionnement du dispositif.

Model No.: PCVA-IMB5A

This device complies with Part 15 of the FCC rules. Operation is subject to the following two conditions:

- (1) This device may not cause harmful interference, and
- (2) this device must accept any interference received, including interference that may cause undesired operation.

Model No.: PCVA-KB6 and PCVA-MS2

These devices comply with Part 15 of the FCC Rules. Operation is subject to the following two conditions:

- (1) This device may not cause harmful interference, and
- (2) this device must accept any interference received, including interference that may cause undesired operation of the device.

This equipment has been tested and found to comply with the limits for a Class B digital device, pursuant to Part 15 of the FCC Rules. These limits are designed to provide reasonable protection against harmful interference in a residential installation. This equipment generates, uses, and can radiate radio frequency energy and, if not installed and used in accordance with the instructions, may cause harmful interference to radio communications. However, there is no guarantee that interference will not occur in a particular installation. If this equipment does cause harmful interference to radio or television reception, which can be determined by turning the equipment off and on, the user is encouraged to try to correct the interference by one or more of the following measures:

-
- Reorient or relocate the receiving antenna.
 - Increase the separation between the equipment and the receiver.
 - Connect the equipment into an outlet on a circuit different from that to which the receiver is connected.
 - Consult the dealer or an experienced radio/TV technician for help.

You are cautioned that any changes or modifications not expressly approved in this manual could void your authority to operate this equipment.

Only peripherals (computer input/output devices, terminals, printers, etc.) that comply with FCC Class B limits may be attached to this computer product. Operation with noncompliant peripherals is likely to result in interference to radio and television reception.

All cables used to connect peripherals must be shielded and grounded. Operation with cables, connected to peripherals, that are not shielded and grounded, may result in interference to radio and television reception.

FCC Part 68

This equipment complies with Part 68 of the FCC rules and the requirements adopted by the ACTA. On the rear of this equipment is a label that contains, among other information, a product identifier in the format US:AAAEQ##TXXXX. If requested, this number must be provided to the telephone company.

This modem uses the USOC RJ-11 telephone jack.

A telephone plug and jack used to connect this equipment to the premises wiring and telephone network must comply with the applicable FCC Part 68 rules and requirements adopted by the ACTA. The REN is used to determine the quantity of devices which may be connected to the telephone line.

Excessive RENs on the telephone line may result in the devices not ringing in response to an incoming call. In most, but not all areas, the sum of the RENs should not exceed five (5.0). To be certain of the number of devices that may be connected to the line, as determined by the total RENs, contact the telephone company. For products approved after July 23, 2001, the REN for this product is part of the product identifier that has the format US:AAAEQ##TXXXX. The digits represented by ## are the REN without a decimal point (e.g. 03 is a REN of 0.3). For earlier products, the REN is separately shown on the label.

If this equipment causes harm to the telephone network, the telephone company will notify you in advance that temporary discontinuance of service may be required. But if advance notice is not practical, the telephone company will notify the customer as soon as possible. Also, you will be advised of your right to file a complaint with the FCC if you believe it is necessary.

The telephone company may make changes in its facilities, equipment, operations or procedures that could affect the operations of the equipment. If this happens, the telephone company will provide advance notice in order for you to make the necessary modifications in order to maintain uninterrupted service.

If trouble is experienced with this equipment, for repair or warranty information, please contact the Sony Customer Information Service Center at 1-888-4-SONY-PC (1-888-476-6972), or write to the Sony Customer Information Center, 12451 Gateway Blvd., Fort Myers, FL 33913, or find Sony Customer Service on the Web at <http://www.sony.com/pcsupport>. If this equipment is causing harm to the telephone network, the telephone company may request that you disconnect the equipment from the network until the problem is resolved. Repair of this equipment should be made only by a Sony Service Center or Sony authorized agent. For the Sony Service Center nearest you, call 1-888-4-SONY-PC (1-888-476-6972), or visit the Sony Computing Web site at <http://www.sony.com/pcsupport>.

Connection to Party Line Service is subject to state tariffs. Contact the state public utility commission, public service commission, or corporation commission for information.

If your home has specially wired alarm equipment connected to the telephone line, ensure the installation of this equipment does not disable your alarm equipment. If you have questions about what will disable alarm equipment, consult your telephone company or a qualified installer.

Please use a surge arrestor against electrical surges.

Telephone Consumer Protection Act of 1991 (United States)

The Telephone Consumer Protection Act of 1991 makes it unlawful for any person to use a computer or other electronic device, including FAX machines, to send any message unless such message clearly contains, in a margin at the top or bottom of each transmitted page or on the first page of the transmission, the date and time it is sent and an identification of the business, other entity, or individual sending the message, and the telephone number of the sending machine or such business, other entity, or individual. (The telephone number provided may not be a 900 number or any other number for which charges exceed local or long distance transmission charges.)

In order to program this information into your facsimile machine, see your fax software documentation.

Telephone Consumer Guidelines (Canada)

Please refer to your telephone directory under 'Privacy Issues' and/or 'Terms of Service.' For more detailed information, please contact:

CRTC
Terrasses de la Chaudière
Tour centrale 1 promenade du Portage
5 étage Hull PQ K1A 0N2.

This Class B digital apparatus complies with Canadian ICES-003.

Cet appareil numérique de la classe B est conforme à la norme NMB-003 du Canada.

Industry Canada Notice

This equipment meets the applicable Industry Canada technical specifications.

The Ringer Equivalence Number (REN) is an indication of the maximum number of devices allowed to be connected to a telephone interface. The termination on an interface may consist of any combination of devices subject only to the requirement that the sum of the RENs of all the devices does not exceed 5.

Avis de L'Industrie Canada

Le présent matériel est conforme aux spécifications techniques applicables d'Industrie Canada.

L'indice d'équivalence de la sonnerie (IES) sert à indiquer le nombre maximal de terminaux qui peuvent être raccordés à une interface téléphonique. La terminaison d'une interface peut consister en une combinaison quelconque de dispositifs, à la seule condition que la somme d'indices d'équivalence de la sonnerie de tous les dispositifs n'excède pas 5.

Macrovision license


This product incorporates copyright protection technology that is protected by U.S. patents and other intellectual property rights. Use of this copyright protection technology must be authorized by Macrovision, and is intended for home and other limited viewing uses only, unless otherwise authorized by Macrovision. Reverse engineering or disassembly is prohibited.

Licence Macrovision

Ce produit intègre une technologie de protection de la loi sur les droits de propriété intellectuelle couverts par la législation américaine. L'utilisation de cette technologie doit être autorisée par Macrovision. Elle est uniquement destinée à un usage privé et à d'autres fins de visualisation limitée, sauf autorisation contraire de la part de Macrovision. Tout désossage ou désassemblage est formellement interdit.

Disposal of Lithium Battery

You can return your unwanted lithium batteries to your nearest Sony Service Center or Factory Service Center.

 In some areas the disposal of lithium batteries in household or business trash may be prohibited.

For the Sony Service Center nearest you, call 1-888-476-6972 in the United States or 1-800-961-7669 in Canada.



Do not handle damaged or leaking lithium batteries. In some areas, the disposal of lithium batteries in household or business trash may be prohibited.

Danger of explosion if battery is incorrectly replaced. Replace only with the same or equivalent type recommended by the manufacturer. Discard used batteries according to the manufacturer's instructions.

The battery pack used in this device may present a fire or chemical burn hazard if mistreated. Do not disassemble, heat above 212° F (100° C), or incinerate. Dispose of used battery promptly. Keep away from children.

To change the lithium battery, please contact your nearest Sony Service Center.



Ne pas manipuler les batteries au lithium qui fuient ou sont endommagées.

Une batterie non conforme présente un danger d'explosion. La remplacer seulement par une batterie identique ou de type équivalent recommandé par le fabricant. Évacuer les batteries usées selon les directives du fabricant.

La manutention incorrecte du module de batterie de cet appareil présente un risque d'incendie ou de brûlures chimiques. Ne pas démonter, incinérer ou exposer à une température de plus de 100°C. Évacuer promptement la batterie usée. Garder hors de portée des enfants.

Pour changer la batterie au lithium, veuillez contacter votre centre de service Sony le plus près.

Contents


Getting Started	13
Unpacking your Computer	14
Locating Controls And Ports	17
About the Front Panel	18
About the Side Panels	19
About the Back Panel	22
About the Keyboard	23
About the Mouse	26
About the Remote Control	28
Setting Up Your Computer	33
Connecting the Power Cord	34
Connecting the Wireless Keyboard	36
Connecting the Wireless Mouse	37
Connecting the Modem Cable	39
Turning on your Computer	40
Registering your Computer	40
Turning Off your Computer	41
Troubleshooting	43
Support Options	45
Immediate Help and Support	45
Resources for Additional Help and Support	46

Getting Started

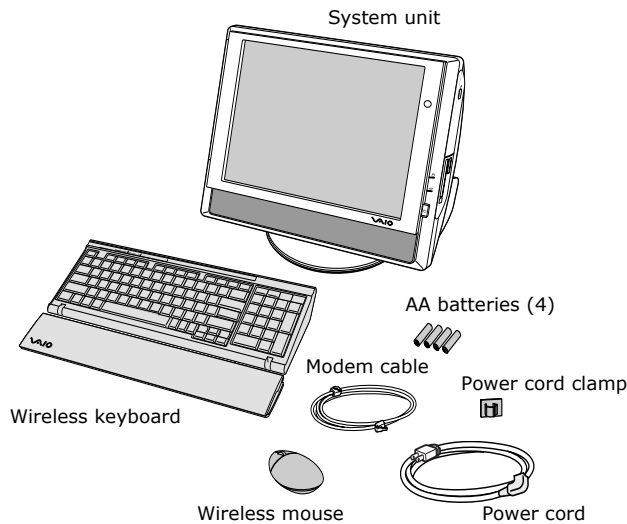
Congratulations on your purchase of the Sony VAIO® computer! Your new, high-performance, multimedia computer combines state-of-the-art computer functionality with the latest audio, video and information technology features.

Unpacking your Computer

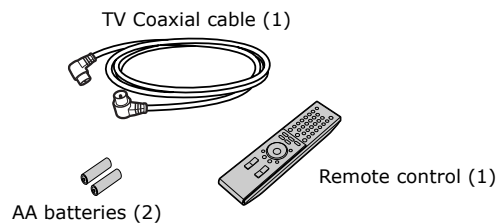
Your computer may not be supplied with all of the accessories shown, depending on the system configuration you purchased. For details on the accessories supplied with your computer, see the online Specifications sheet.

 Your VAIO® computer is not supplied with System or Application Recovery CDs. Use the VAIO Recovery utility to recover your computer's operating system and preinstalled software.

Computer and supplied accessories



Giga Pocket Personal Video Recorder accessories



Manuals

- ❑ **VAIO® Computer Quick Start** — Provides basic information on setting up and registering your computer. The Quick Start also provides resources for technical support, safety guidelines, and owner's information.

Online Documentation

- ❑ **VAIO® Computer User Guide** — Contains information on the hardware and preinstalled software programs included with your system.

To access the online User Guide:

- 1 Click **Start** in the Windows taskbar, then click **Help and Support**.
- 2 From the **VAIO Help and Support Center** menu, click **VAIO User Guide**.

- ❑ **Specifications** — This online specifications sheet describes the hardware and software configuration of your VAIO computer. To view this online information, see the online *Specifications* sheet.

- ❑ **VAIO Software** — Provides specific information on the preinstalled software on your computer.

To access this online software information:

- 1 Click **Start** in the Windows® taskbar.
- 2 Click **Welcome to VAIO Life**.

Hard Disk Drive Recovery

Your computer is equipped with a utility program that recovers your computer's operating system and preinstalled software.

For more information about hard disk recovery

- 1 Click **Start** in the Windows® taskbar, then click **Help and Support**.
- 2 From the **VAIO Help and Support Center** menu, click **VAIO Recovery Options**.

Other

A software library containing the Microsoft® software and Sony® end-user license agreements.

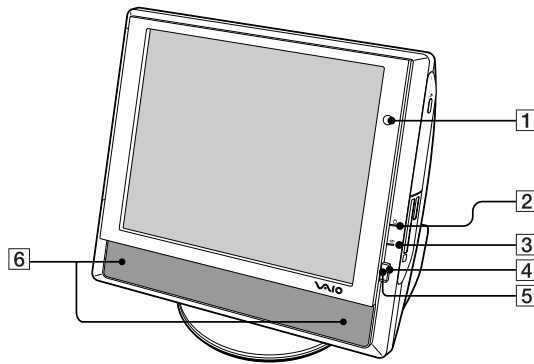
Locating Controls And Ports

This section is intended to familiarize you with the controls, ports, and jacks that are available on your computer. To view the specific hardware configuration for your system, see the online Specifications sheet.

About the Front Panel

The front panel of your VAIO® computer is equipped with built-in stereo speakers and indicator lights.

Front panel



- 1 Infrared Receiver**
Communicates with the remote control (supplied), to turn on TV, change TV channels, and raise or lower volume.
- 2 Optical disc and hard disk drive access indicator**
Light is amber while reading and writing data.
- 3 Memory Stick® media access indicator**
Light is amber when the Memory Stick media slot is in use.
- 4 Power button**
Press button from the right side to turn the computer on and off.
- 5 Power indicator**
Light is green while the power is on and amber when the computer is in Stand by mode.
- 6 Stereo speakers (built-in)**
The stereo speakers provide sound for software, audio, and video media.

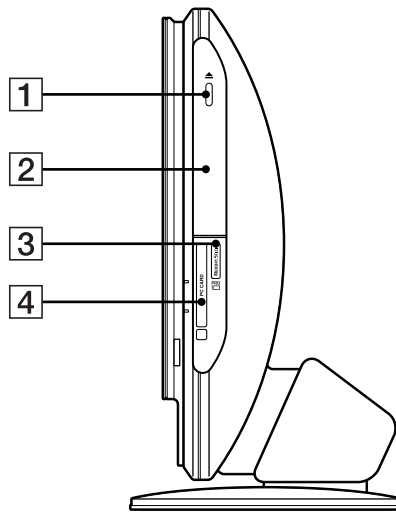


Do not press the Power button incorrectly, as this may damage the control.

About the Side Panels

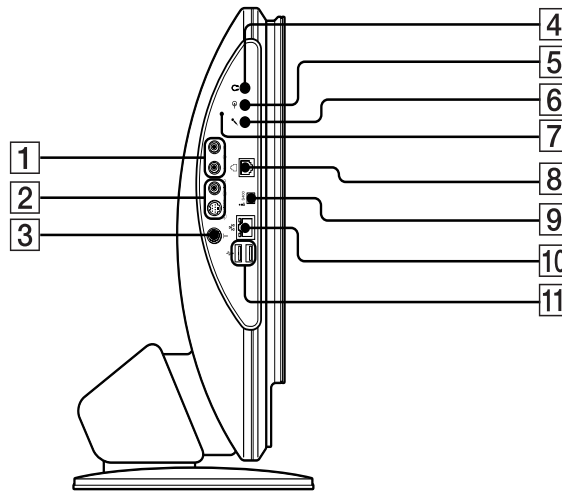
The side panels of your computer contain the connections for supplied and optional accessories. The icons on the side panels help you locate and identify the connections on your computer.

Right panel

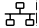


-
- | | |
|----------|--|
| 1 | CD-RW/DVD-ROM combo drive eject button
Ejects a disc from the combination optical drive. |
| 2 | CD-RW/DVD-ROM combo drive
Reads data from compatible DVD or CD media. Writes data to a CD-RW or CD-R media. |
| 3 | Memory Stick® media slot
Reads and writes data from a Memory Stick media. |
| 4 | PC Card slot
A PC Card (PCMCIA Card) can be inserted into this slot to increase your computer's functional capabilities. |
-


Left panel



-
- 1 Composite audio L In jack**
Connection for an audio or stereo dubbing cable (optional).
- Composite audio R In jack**
Connection for an audio or stereo dubbing cable (optional).
-
- 2 Composite video In jack**
Connection for a digital video or stereo A/V dubbing cable (optional).
- S-video In jack**
Connection for an S-video cable (optional).
-
- 3 VHF/UHF port**
Connection for a TV coaxial cable (supplied).
-
- 4 Headphones jack**
Connection for optional speakers or headphones.
-
- 5 Line In jack**
Connection for an audio device.
-
- 6 Microphone jack**
Connection for a microphone (optional).
-
- 7 Connect button**
Press to enable the system unit to communicate with the wireless keyboard and optical mouse.
-

-
- | | |
|-----------|---|
| 8 | Modem line jack*
Connection for the modem cable (supplied) to the wall jack. |
| 9 | i.LINK 4-pin S400 port
Connection for i.LINK compatible digital devices (IEEE 1394). |
| 10 | Ethernet port
Connection for a 10BASE-T/100BASE-TX Ethernet.
(The port marked with  (Network) is for LAN connections only.) |
| 11 | Universal Serial Bus (USB 2.0) ports (2)
Connections for compatible high/full/low-speed USB devices. |
-

* An optional “1-to-2” jack adapter device (splitter) is required to connect both a telephone and modem line to your computer.

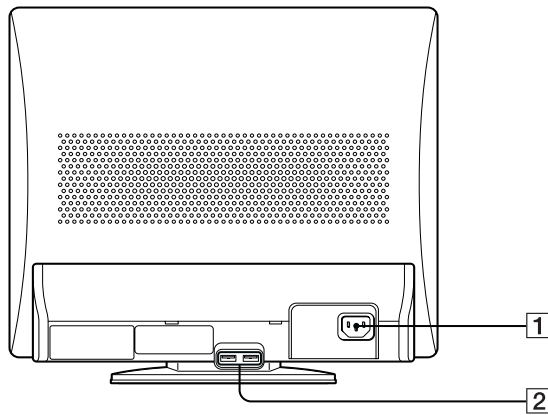
 i.LINK is a trademark of Sony used only to designate that a product contains an IEEE 1394 connection. The i.LINK connection may vary, depending on the software programs, operating system, and compatible i.LINK devices. All products with an i.LINK connection may not communicate with each other.

Please refer to the documentation that came with your compatible i.LINK device for information on operating conditions and proper connection. Before connecting compatible i.LINK devices to your system, such as an optical or hard disk drive, confirm their operating system compatibility and required operating conditions.

About the Back Panel

The back panel of your computer contains the AC power port and connections for your USB devices.

Back panel

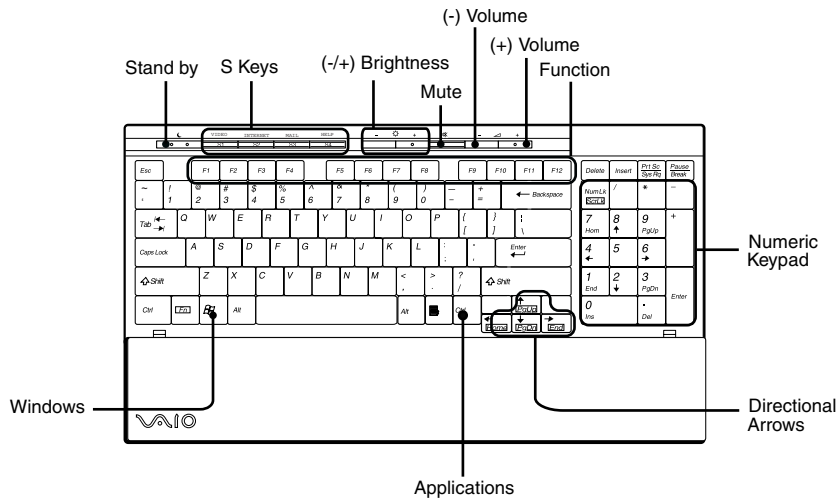





-
- | | |
|----------|--|
| 1 | AC Input port
Connection for the supplied power cord. |
| 2 | Universal Serial Bus (USB 2.0) ports (2)
Connections for compatible high/full/low-speed USB devices. |
-



About the Keyboard

Your VAIO® computer is supplied with a wireless keyboard that has a standard key arrangement and additional keys that perform specific functions.

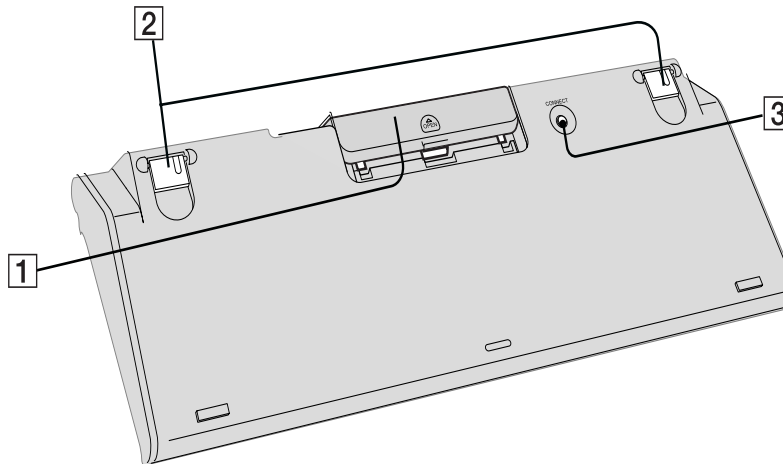
Wireless keyboard (Top)



KEY	DESCRIPTION
Stand by	Press the button to place the computer in Stand by mode. Press the Power button or Stand by key briefly to resume normal operation. (Note: Your computer may take 5-6 seconds to enter Stand by mode.)
	
S Keys	Press the S key buttons to activate specific applications.
Brightness Controls	Press a button to increase (+) or decrease (-) the brightness of the monitor screen.
Mute	Press the button to turn off the speaker sound. Press the Mute button again to restore sound.
	
Volume Control	Press a button to increase (+) or decrease (-) the volume of the speakers.
	

KEY	DESCRIPTION
Function	The 12 function keys along the top of the keyboard are used to perform certain tasks. The task associated with each function key may vary from one application to the next.
Numeric Keypad	Use the numeric keypad to type numbers or to perform basic math calculations. Press the Num Lock key to activate the numeric keypad. (The Num Lock indicator lights.) Press the Num Lock key again to deactivate the numeric keypad.
Directional Arrows	The Up, Down, Left, and Right arrow keys move the pointer on the screen.
Applications 	The Applications key displays a shortcut menu in certain software programs. Pressing this key is equivalent to clicking the right mouse button.
Windows 	The Microsoft® Windows® key, displays the Start menu. Pressing this key is equivalent to clicking Start on the taskbar.

Wireless keyboard (Bottom)




-
- 1 Battery compartment**
Storage compartment for the supplied AA batteries.

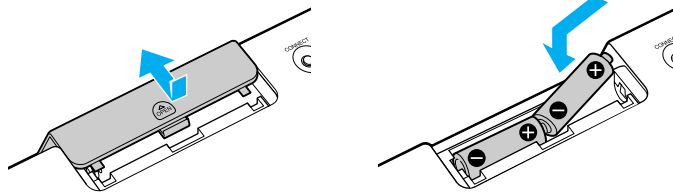
 - 2 Keyboard feet**
Extend to adjust the keyboard height.


 - 3 Connect button**
Press to enable the keyboard to communicate with the system unit.
-

To set up the wireless keyboard

Insert two AA batteries (supplied) into the wireless keyboard as shown. You can check your keyboard's battery power level by clicking  (Wireless Keyboard icon), located in the Windows® taskbar notification area.

Inserting batteries into the wireless keyboard

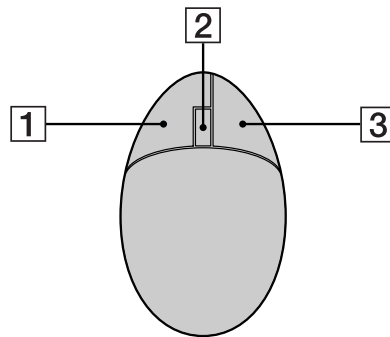


 If your wireless keyboard does not operate properly, the batteries may need to be replaced. If your wireless keyboard is not being used for extended periods of time, remove the batteries to avoid possible damage from battery leakage.

About the Mouse

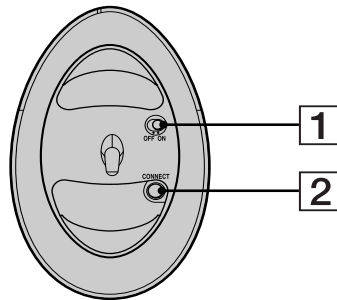
Your VAIO® computer is supplied with a wireless optical mouse. Before attempting to use the wireless optical mouse with your computer, see Connecting the Wireless Mouse.

Wireless mouse (Top)



-
- | | |
|----------|---|
| 1 | Left mouse button
Press to perform specific mouse functions. |
| 2 | Wheel button
Rotate the wheel to scroll up and down on the display. |
| 3 | Right mouse button
Press to perform specific shortcut functions. |
-


Wireless mouse (Bottom)



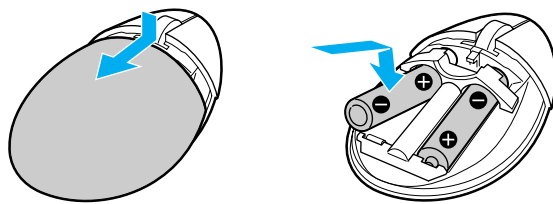
-
- 1 Power switch**
Slide switch to turn the mouse on and off.


 - 2 Connect button**
Press to enable communication between your VAIO computer and the wireless mouse.
-

To set up the wireless mouse

Insert two AA batteries (supplied) into the wireless mouse as shown. You can check your mouse's battery power level by clicking  (Wireless Mouse icon), located in the Windows® taskbar notification area.

Inserting batteries into the wireless mouse

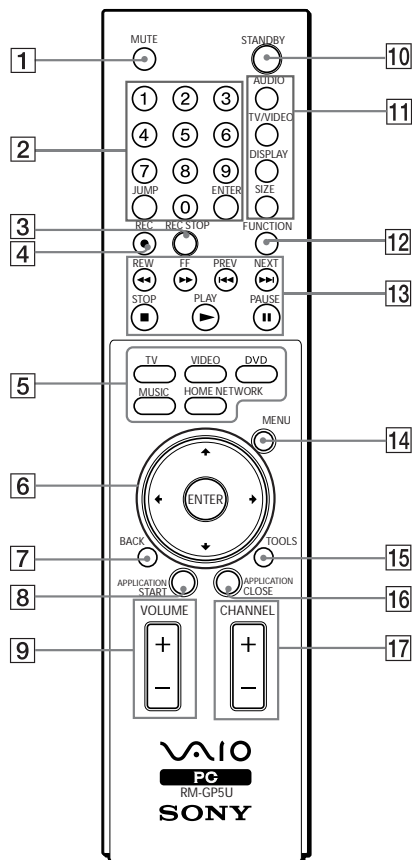


 If your wireless mouse does not operate properly, the batteries may need to be replaced. If your wireless mouse is not being used for extended periods of time, remove the batteries to avoid possible damage from battery leakage.

About the Remote Control

Giga Pocket™ Personal Video Recorder features are controlled with the remote control. The remote control can start and stop video recording and playback, select channels, and set viewing preferences. This section describes the basic functions of your remote control.

Remote control



-
- | | |
|----------|--|
| 1 | MUTE button
Press to turn off the sound. Press again to restore the sound. |
| 2 | Channel number buttons (0 - 9)
Press to select specific channels.
(Press the ENTER button to activate channel selection.)
JUMP button
Press to go to the previous channel. Press again to return to the current channel.
ENTER button
Press to activate channel selection. See Channel number buttons. |
| 3 | REC STOP button
Press to stop recording.
(Note: The REC STOP function is available for Giga Pocket software only.) |
| 4 | REC button
Press to begin recording.
(Note: The REC function is available for Giga Pocket software only.) |
| 5 | TV button
Press to switch from the on-screen image to the TV/Recording deck.
VIDEO button
Press to change to the external video equipment, such as your VCR.
(Note: You cannot change the input source while recording.)
DVD button
Press to switch to an external DVD device, such as a DVD player.
MUSIC button
Press to start the SonicStage software.
HOME NETWORK button
Press to start VAIO Media software. |
| 6 | Direction and ENTER buttons
Press a direction arrow to navigate. Press ENTER to select. |
| 7 | BACK button
Press to return to the previous screen.
(Note: This function is not available for Giga Pocket software.) |
| 8 | APPLICATION START button
Press to start the Giga Pocket software. |
| 9 | VOLUME button
Press to increase or decrease the volume. |
-

10 STANDBY button

Press to place the system into Stand by mode.

(Note: You cannot place the computer into Stand by mode when certain Giga Pocket functions are running. Your computer may take 5-6 seconds to enter Stand by mode.)

11 AUDIO button

Press to view available sound mode options on the monitor/display.

TV/VIDEO button

Press to change the on-screen image from the TV/Recording deck to external video equipment, such as your VCR.

(Note: You cannot change the input source while recording.)

DISPLAY button

During DVD playback in full screen mode, press to show the settings window. When using Giga Pocket software, press to display the TV/Recording deck and playback deck screens. Press again to hide these views.

SIZE button

Press to view the current software in full-screen size. Press again to return the view to its original size.

12 FUNCTION button

When Giga Pocket software is selected with the **Menu** button, press to switch from the TV/recording deck to the playback deck.

When using SonicStage software, press to change from the music drive (hard disk drive) to the CD.

13 REW and FF buttons

Press to rewind or fast-forward.

PREV and NEXT buttons

Press to move back to the previous screen or forward to the next screen.

STOP button

Press to stop playback.

PLAY button

Press to begin playback.

PAUSE button

Press to pause playback.

14 MENU button

Press to view a shortcut menu of available software programs. Press again to hide this menu.

(Note: For Giga Pocket software, the **Select Video Capsules** window displays. Press the button again to hide this window.)

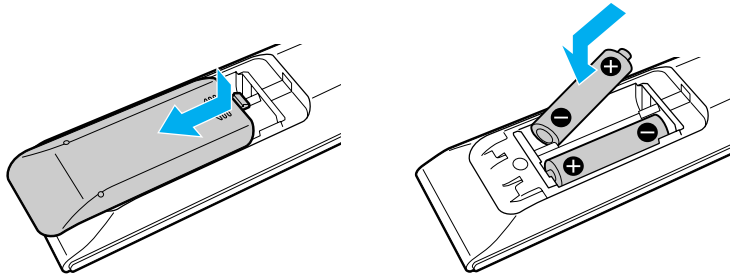
-
- 15 TOOLS button**
The function of this button may vary between DVD media. See the DVD player software instructions for details.
-
- 16 APPLICATION CLOSE button**
Press to close the Giga Pocket software.
-
- 17 CHANNEL button**
Press to change channels automatically (no number input required).
(Note: This function is available for Giga Pocket software only.)
-


 For more details about the function buttons on your remote control, see the Giga Pocket Help.

To set up the remote control

Insert two AA batteries (supplied) into the remote control as shown.

Inserting batteries into the remote control



 If your remote control does not operate properly, you may need to replace the batteries. If your remote control is not being used for extended periods of time, remove the batteries to avoid possible damage from battery leakage.

Setting Up Your Computer

You can set up your system quickly and easily with the instructions provided in this section. For details on your system's hardware configuration, see the online specifications sheet.

Connecting the Power Cord

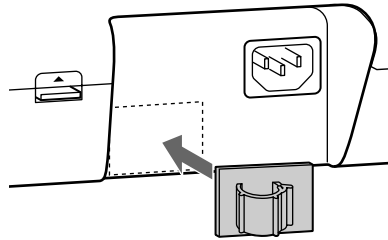
The computer's power cord must be plugged into an AC power source, such as an AC wall outlet, surge protector, or Uninterruptible Power Supply (UPS), before you can establish communication with your wireless keyboard and wireless mouse.



Your computer has the ability to be turned on its base and the power cord may become unplugged. You may lose data if your system loses power while software programs are running. Use the supplied power cord clamp to avoid accidentally unplugging your computer.

- 1 Remove the adhesive backing from the power cord clamp.
- 2 Press the clamp firmly against the back panel near the AC input port.

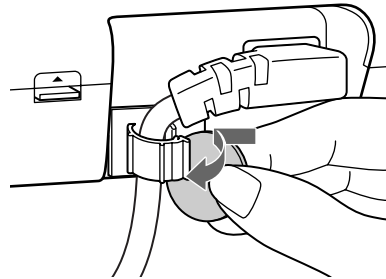
Attaching the power cord clamp



- 3 Plug the power cord into the AC input port on the back panel of the computer.

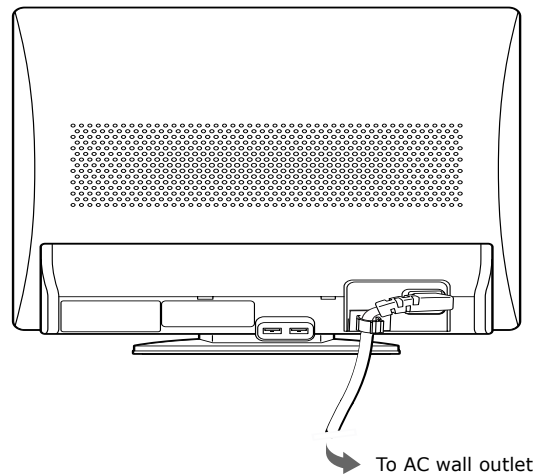
- 4 Use a coin to open the clamp, and then insert the power cord.


Inserting the power cord into the clamp



- 5 Plug the power cord into a grounded AC wall outlet, surge protector, or UPS.


Connecting the power cord



 Install your computer so you can easily reach the power outlet in the event of an emergency.

Connecting the Wireless Keyboard

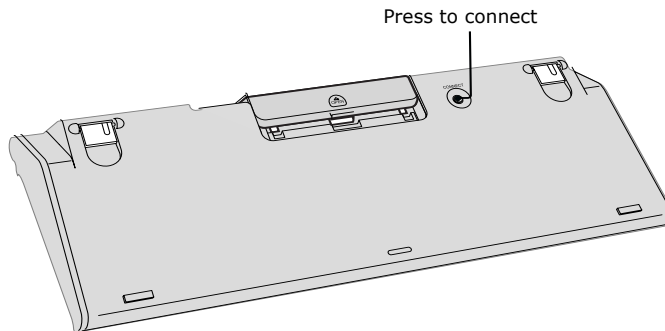
Your VAIO® computer is supplied with a wireless keyboard. Before attempting to use the wireless keyboard, you must enable communication between the computer and the keyboard.

 When attempting to connect the wireless keyboard, confirm that the AA batteries (supplied) are properly inserted into the keyboard before your computer is turned on.

To connect the wireless keyboard

- 1 Press the CONNECT button on the left panel of the computer.
- 2 Turn the wireless keyboard over.
- 3 Press the CONNECT button to activate communication between the wireless keyboard and the computer.

Connecting the keyboard




Additional information about the wireless keyboard

The wireless keyboard requires unobstructed communication with the system unit for proper operation.

- Do not exceed a maximum distance of 2 feet between your VAIO® computer and your wireless keyboard.
- Confirm that the supplied AA batteries are properly installed.
- Press the CONNECT buttons located on the left panel of the computer and on the bottom of the keyboard, to establish communication between the equipment.

Connecting the Wireless Mouse

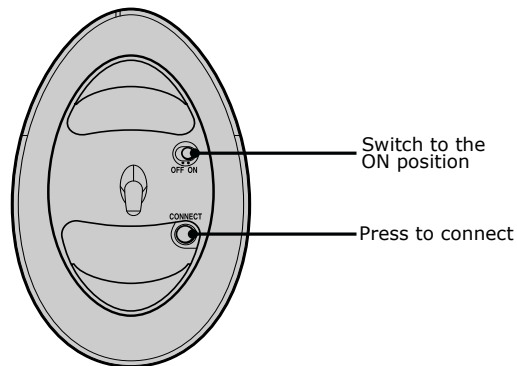
Your VAIO® computer is supplied with a wireless mouse. Before attempting to use the wireless mouse, you must enable communication between the computer and the mouse.

 When attempting to connect the wireless mouse, confirm that the AA batteries (supplied) are properly inserted into the mouse before your computer is turned on.

To connect the wireless optical mouse

- 1 Press the CONNECT button on the left panel of the computer.
- 2 Turn the wireless mouse over.
- 3 Slide the power button to the ON position and press the CONNECT button.

Connecting the mouse



- 4 Place the optical mouse on an appropriate surface to enable tracking.

Additional information about the wireless optical mouse

The wireless optical mouse requires an ideal surface texture in order to provide precision pointing and tracking.

- Use surfaces such as plain paper, card stock, or fabric that have minimal repetitive patterns.
- Avoid surfaces such as mirrors, smooth glass, or magazines that have half-tone printing.

The wireless optical mouse requires unobstructed communication with the system unit for proper operation.

- Do not exceed a maximum distance of 2 feet between your VAIO® computer and your wireless mouse.
- Confirm that the supplied AA batteries are properly installed.
- Press the Connect buttons located on the left panel of the computer and on the bottom of the mouse, to establish the communication between the equipment.
- Verify the infrared receiver on the computer's front panel is free of obstructions that may prevent proper operation.

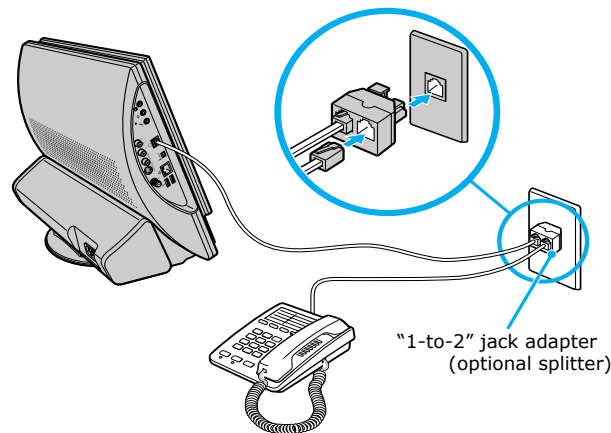
Connecting the Modem Cable

Your computer is equipped with a single modem line jack to connect the supplied modem cable to your telephone wall jack. To use your wall jack for your telephone and modem lines, purchase a “1-to-2” jack adapter device (splitter).

To connect the modem cable

- 1 Unplug your telephone cable from the wall jack.
- 2 Insert the telephone cable into one of the RJ-11 jacks on a splitter device (optional).
- 3 Insert one end of the modem cable (supplied) into the other RJ-11 jack on the splitter device.
- 4 Insert the plug end of the splitter device into the wall jack.
- 5 Plug the modem cable into the modem line jack on the computer.

Connecting the modem cable



Your computer has a protective sticker  covering the Ethernet port located on the rear panel. Connect only 10BASE-T and 100BASE-TX cables to the Ethernet port. Using other cables or a telephone cable may result in an electric current overload that can cause a malfunction, excessive heat, or fire in the port. For help on connecting to a network, see your network administrator.

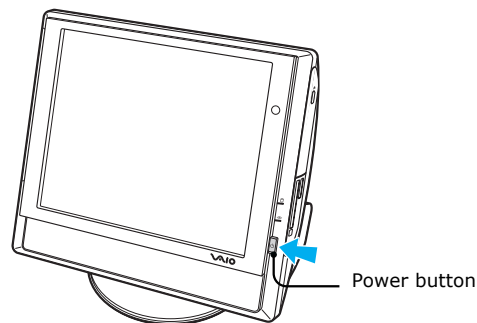
Turning on your Computer

Press the power button on the right side of the computer to turn it on and off.



Do not press the Power button incorrectly, as this may damage to the control.

Turning on your computer




When you start your computer, it may detect new hardware and prompt you to restart your computer. Respond to this prompt immediately.

Registering your Computer

Take advantage of Sony's commitment to quality customer support and receive these benefits by registering your computer:

- ❑ **Sony Customer Support** — Communicate with a Support Representative to troubleshoot problems you may be having with your computer.
- ❑ **Limited warranty** — Protect your investment. See the Limited Warranty Card for more details.

 You are prompted to register your computer the first time you turn it on. Follow the on-screen instructions to complete the registration process. If you are not able to register your computer during the first session, you are provided with additional registration opportunities later.

Turning Off your Computer

Follow these steps when you are ready to turn off your computer for an extended period of time.



To avoid loss of data, do not use the Power button to turn off the computer.

To turn off your computer

- 1 Click **Start** in the Windows taskbar, then select **Turn Off Computer**.

The **Turn Off Computer** dialog box appears.

- 2 Select the **Turn Off** option.



Respond to any prompts about saving your documents.

- 3 Wait for your computer to turn off automatically—the power indicator light turns off.

- 4 Turn off any peripheral devices connected to your computer.



If you plan to turn off your computer for a short period of time, use Stand by mode. Your computer may take 5-6 seconds to enter Stand by mode.

About the power button

If your system stops responding, press and hold the Power button for more than six seconds to force your system to shut down. You may need to repeat this procedure if your system does not shut down on the first attempt.

Troubleshooting

This section describes how to troubleshoot common problems. You can also find helpful information on how to use your computer's hardware features and preinstalled software. Your computer may not be equipped with all of the features or software discussed in this section, depending on the system configuration purchased.

My computer does not start.

- Verify that the computer is plugged into a power source and that it is turned on. Check that the power indicator is lit on the front panel of the computer.
- Confirm that a disk is not in the floppy disk drive* (unless you are using a bootable floppy disk).
- Confirm that a CD is not in an optical drive (unless you are using a bootable CD).
- Confirm that the power cord and all cables are connected firmly.
- If you plugged the computer into a power strip or Uninterruptible Power Supply (UPS), make sure the power strip or UPS is turned on and working.
- Verify that the monitor is plugged into a power source and turned on.
If your system has a built-in monitor, confirm that it is plugged into an appropriate power source and that the system is turned on.
- Verify that the brightness or contrast control dials are adjusted correctly. (See the manual that came with your display for details.)
- Confirm that the computer is not in stand by mode by pressing any key on the keyboard.

* Certain VAIO computers are not equipped with a floppy disk drive. You can purchase this equipment separately.

Why did my computer or software stop responding?

You can try to locate and close the software application that has stopped responding.

- 1 Press the **Ctrl+Alt+Delete** keys. The **Windows Task Manager** window appears.
- 2 From the Applications tab, locate the application that has the status message, “**Not responding.**”
- 3 Select the application that has a **Not Responding** status and click **End Task**. Windows attempts to close the application.

If your computer does not respond or the application does not close, try the following steps:

- 1 Save all open files, if possible.
- 2 Press the **Alt+F4** keys. The **Turn Off Computer** window appears.
- 3 Click **Restart**.

If your computer still does not respond or restart, shut down your computer by pressing and holding the power button for more than six seconds.

If the software application continues to stop responding or causes your computer to stop responding, contact the software publisher or designated technical support provider.



Pressing and holding the power button for more than six seconds may result in the loss of data from files that are currently open.

Support Options

Sony provides several options to help solve common problems or to locate support for your VAIO® computer. This section describes all available resources and offers suggestions on how to access this information for maximum results.

Immediate Help and Support

You can locate helpful information immediately by consulting your hard copy guides and supplements, or by accessing the online Computer User Guide and the individual software Help files.

Your computer is supplied with these support options:

- ❑ **VAIO® Computer Quick Start** — The Quick Start contains information on how to set up your computer quickly and easily. You can find instructions on how to plan an ergonomic work space, connect power cords, cables and peripheral devices, register your computer with Sony, and establish a dial-up connection to the Internet. The Quick Start can also provide troubleshooting support, if problems occur.
- ❑ **VAIO® Computer User Guide** — The online User Guide provides information about configuring, maintaining, and upgrading your computer. This support resource offers a variety of available topics, enabling you to quickly view specific information using context-sensitive search features. To access the online manual:
 - 1 Click **Start** in the Windows® taskbar, then click **Help and Support**.
 - 2 From the **VAIO Help And Support Center** menu, click **VAIO User Guide**.
- ❑ **Specifications** — The online specifications sheet describes the hardware and software configuration of your VAIO computer. To view this online information go to <http://www.sony.com/pcsupport>.

- ❑ **Preinstalled software Help files** — Each preinstalled software application provides online Help within the software, that describes the software's features. In these Help files, you can find tutorials that teach you to use the software and locate troubleshooting support, should problems occur. To access software Help files:
 - 1 Click **Start** in the Windows taskbar and point to **All Programs**. A submenu appears, listing all preinstalled software applications.
 - 2 Click the desired software application. * The software's main window appears.
 - 3 From the menu bar, click **Help**. The Help file appears.
- ❑ **VAIO Software** — Provides specific information on preinstalled software on your computer.

To access this online software information

 - 1 Click **Start** in the Windows taskbar.
 - 2 Click **Welcome to VAIO Life**.

Resources for Additional Help and Support

If the information provided with your VAIO® computer does not offer an immediate solution, or you would like to get direct support, try these additional help and support resources.

Sony Computing Support Web site

Online help and support are available 24 hours a day, seven days a week, when you visit the Sony Computing Support Web site. You can access the Web site at <http://www.sony.com/pcsupport>.

The Sony Computing Support Web site provides:

- ❑ Information about your specific model computer, such as
 - ❑ hardware and software specifications.
 - ❑ upgrade and maintenance procedures.
 - ❑ safety and legal information.
 - ❑ quick solutions to common problems.


* You can locate the online Help for Sony software applications by pointing to the individual application's icon and selecting Help from the submenu.

- ❑ An automated tutorial library that contains interactive, easy-to-understand lessons on using your computer's hardware and software features.
- ❑ Links that enable you to:
 - ❑ quickly find the nearest Sony service center locations.
 - ❑ arrange for repairs or check repair status.
 - ❑ review warranty information.
 - ❑ e-mail your question or comments to the Sony Customer Information Services Center.
 - ❑ check pricing and availability for products, accessories and parts, as well as purchase online.
 - ❑ access the Sony Solutions Knowledge Base, a database that contains answers to many frequently asked questions.

Sony Customer Information Services Center

If other support options do not resolve your issue, you can contact a Sony Support representative directly.

Before making a call to the Sony Customer Information Services Center, have this basic information readily available:

- 1 VAIIO® computer system type
- 2 Model number
- 3 Serial number*
Example: 
- 4 Operating system
- 5 Hardware feature or software application that has a problem.
- 6 Brief description of the issue.

For VAIIO® computers purchased in the U.S. and Canada, contact a Sony Support representative at 1-888-476-6972.

* The serial number is located on the back panel of your computer. The serial number is on a white barcode label.

Free Manuals Download Website

<http://myh66.com>

<http://usermanuals.us>

<http://www.somanuals.com>

<http://www.4manuals.cc>

<http://www.manual-lib.com>

<http://www.404manual.com>

<http://www.luxmanual.com>

<http://aubethermostatmanual.com>

Golf course search by state

<http://golfingnear.com>

Email search by domain

<http://emailbydomain.com>

Auto manuals search

<http://auto.somanuals.com>

TV manuals search

<http://tv.somanuals.com>