

**SONY**

# User Guide

Personal Computer  
**VGC-LT series/VGC-LM series**



## Contents

Before Use .....	5
Notice .....	5
Documentation .....	6
Ergonomic Considerations .....	10
Getting Started .....	12
Locating Controls and Ports .....	13
About the Indicator Lights .....	18
Setting Up Your Computer .....	19
Shutting Down Your Computer Safely .....	32
Using Your VAIO Computer .....	33
Using the Keyboard .....	34
Using the Mouse .....	38
Using the Built-in MOTION EYE Camera.....	41
Using the Optical Disc Drive .....	43
Using the TV Function .....	54
Using PC Cards .....	63
Using the ExpressCard Module .....	66
Using the Memory Stick Media .....	70
Using Other Memory Cards .....	76
Using the Internet.....	79
Using Wireless LAN (WLAN) .....	81

Using Peripheral Devices .....	88
Connecting a Universal Serial Bus (USB) Device .....	89
Connecting a Printer .....	91
Connecting an i.LINK Device .....	92
Connecting to a Network (LAN) .....	94
Customizing Your VAIO Computer .....	96
Setting the Password .....	97
Setting Up Your Computer with VAIO Control Center.....	100
Using the Power Saving Mode.....	101
Configuring Your Modem .....	103
Upgrading Your VAIO Computer.....	105
Adding and Removing Memory.....	106
Adding the Hard Disk Drive.....	112
Precautions .....	118
On Handling the LCD Screen .....	119
On Using the Power Source .....	120
On Handling Your Computer.....	121
On Using the Built-in MOTION EYE Camera.....	123
On Handling Floppy Disks .....	124
On Handling Discs .....	125
On Using Headphones.....	127
On Handling Memory Stick Media.....	128
On Handling the Hard Disk .....	129
On Updating Your Computer .....	130

- Troubleshooting ..... 131
  - Computer ..... 132
  - System Security ..... 137
  - Built-in MOTION EYE Camera..... 138
  - Internet..... 141
  - Networking..... 143
  - Optical Discs ..... 146
  - Display ..... 150
  - Printing..... 152
  - Microphone ..... 153
  - Mouse ..... 155
  - Speakers ..... 156
  - Keyboard..... 157
  - Floppy Disks ..... 158
  - PC Cards ..... 159
  - Audio/Video..... 161
  - Memory Stick Media ..... 164
  - Peripherals..... 165
- Support Options ..... 166
  - Sony Support Information ..... 166
  - e-Support ..... 167
  - Trademarks..... 169

## Before Use

Congratulations on your purchase of this Sony VAIO® computer, and welcome to the on-screen User Guide. Sony has combined leading-edge technology in audio, video, computing, and communications to provide state-of-the-art personal computing.

! External views illustrated in this manual may look slightly different from those of your computer.

## Notice

© 2007 Sony Corporation. All rights reserved.

This manual and the software described herein, in whole or in part, may not be reproduced, translated, or reduced to any machine-readable form without prior written approval.

Sony Corporation provides no warranty with regard to this manual, the software, or other information contained herein and hereby expressly disclaims any implied warranties or merchantability or fitness for any particular purpose with regard to this manual, the software, or such other information. In no event shall Sony Corporation be liable for any incidental, consequential, or special damages, whether based on tort, contract, or otherwise, arising out of or in connection with this manual, the software, or other information contained herein or the use thereof.

In the manual, the ™ or ® marks are not specified.

Sony Corporation reserves the right to make any modification to this manual or the information contained herein at any time without notice. The software described herein is governed by the terms of a separate user license agreement.

## Documentation

Your documentation includes printed information and user guides to read on your VAIO computer.

### Printed Documentation

- ❑ **Quick Start Guide** — Describes the process from unpacking to starting up your VAIO.
- ❑ **Troubleshooting and Recovery Guide** — Contains solutions to common problems and computer malfunctions, an explanation of how to make a backup copy of your data and recover your computer system, and sources of support information.
- ❑ **Regulations, Warranty, EULA and Service Support** — Contains Sony **GUARANTEE** conditions, **Safety / Regulations, Modem Regulations, Wireless LAN Regulations, Wireless WAN Regulations, Bluetooth Regulations, End User Software License Agreement**, and **Sony Support services** information.

## Non-printed Documentation

- ❑ **User Guide** (this manual) — Explains features of your computer. It also includes information about the software programs included with your computer, as well as information on solving common problems. **User Guide** is provided in the PDF format, which you can easily browse through and print out.

To view this on-screen guide:

- 1 Double-click the **VAIO User Guide** icon on the desktop.
- 2 Open the folder for your language.
- 3 Select the guide you want to read.



You can manually browse to the user guides by going to **Computer > VAIO (C:) (your C drive) > Documentation > Documentation** and opening the folder for your language.

To go to Web sites described in this manual by clicking their respective URLs beginning with http://, your computer must be connected to the Internet.

- ❑ **Specifications** — The online **Specifications** describe the hardware and software configurations of your VAIO computer.

To view the online **Specifications**:

- 1 Connect to the Internet.
- 2 Go to the Sony online support Web site at <http://support.vaio.sony.eu>.



You may have a separate disc for the documentation of bundled accessories.

## My Club VAIO

In **My Club VAIO** you can find:

**Accessories**

Want to expand the capabilities of your computer? Click this icon and have a look at your compatible accessories.

**Software**

Feeling creative? Click this icon for an overview of your software and check out our upgrade options.

**Wallpapers**

Click this icon and check out our most popular Sony and Club VAIO wallpapers.

**Links**

Click this icon and check out our most popular Sony and Club VAIO Web sites.

## Windows Help and Support

**Windows Help and Support** is a comprehensive resource for practical advice, tutorials, and demonstrations to help you learn to use your computer.

Use the Search feature, Index, or table of contents to view all Windows Help resources, including those that are on the Internet.

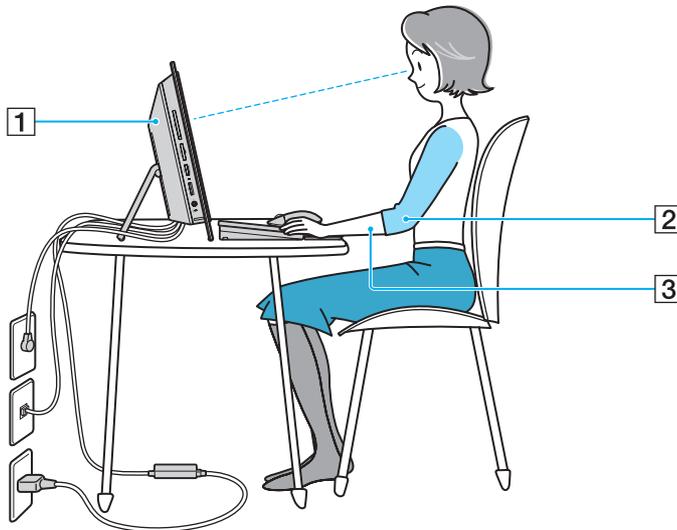
To access **Windows Help and Support**, click **Start**  and **Help and Support**. Or go to **Windows Help and Support** by pressing and holding the Microsoft Windows key and pressing the **F1** key.

## Further Sources

- ❑ Consult the help files on the software you are using for detailed information on features and troubleshooting.
- ❑ Go to <http://www.club-vaio.com> to find online tutorials about your favorite VAIO software.

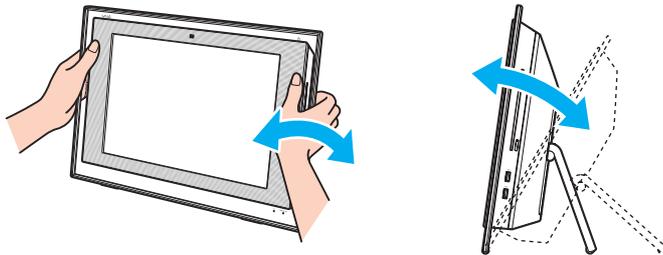
## Ergonomic Considerations

Whenever possible, you should attempt to take account of the following ergonomic considerations:



- ❑ **Position of your computer** – Place the display directly in front of you (1). Keep your forearms horizontal (2), with your wrists in a neutral, comfortable position (3) while using the keyboard, pointing device, or external mouse. Let your upper arms hang naturally at your sides. Have breaks during sessions with your computer. Excessive use of the computer may strain eyes, muscles, or tendons.
- ❑ **Furniture and posture** – Sit in a chair with good back support. Adjust the level of the chair so your feet are flat on the floor. A footrest may make you more comfortable. Sit in a relaxed, upright posture and avoid slouching forward or leaning far backwards.

- ❑ **Viewing angle of the display** – Use the display's tilting feature to find the best position. You can reduce eye strain and muscle fatigue by adjusting the tilt of the display to the proper position. Adjust the brightness level of the display as well.



! While adjusting the viewing angle, do not exert excessive pressure on your computer, especially on the center of the speaker grill, to eliminate a risk of mechanical damage.

- ❑ **Lighting** – Choose a location where windows and lights do not cause glare and reflection on the display. Use indirect lighting to avoid bright spots on the display. Proper lighting adds to your comfort and work efficiency.
- ❑ **Ventilation** – Make sure you leave at least 10 cm of space behind and at least 20 cm of space on each side of the main unit.

# Getting Started

This section describes how to get started using your VAIO computer.

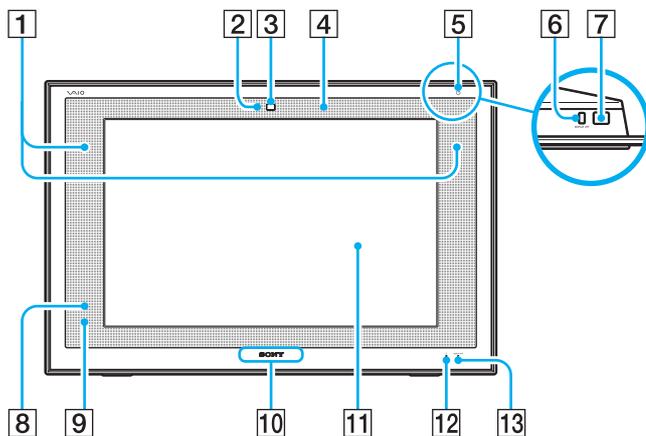
- ❑ **Locating Controls and Ports** ([page 13](#))
- ❑ **About the Indicator Lights** ([page 18](#))
- ❑ **Setting Up Your Computer** ([page 19](#))
- ❑ **Shutting Down Your Computer Safely** ([page 32](#))

# Locating Controls and Ports

Take a moment to identify the controls and ports shown on the following pages.

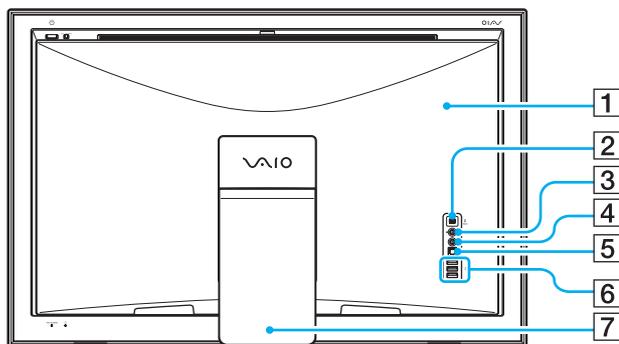
**!** The following illustrates the appearance of VGC-LT series. Your computer may appear different from those illustrated in this manual due to variations in specifications. The appearance may also vary in some countries or areas.

## Front

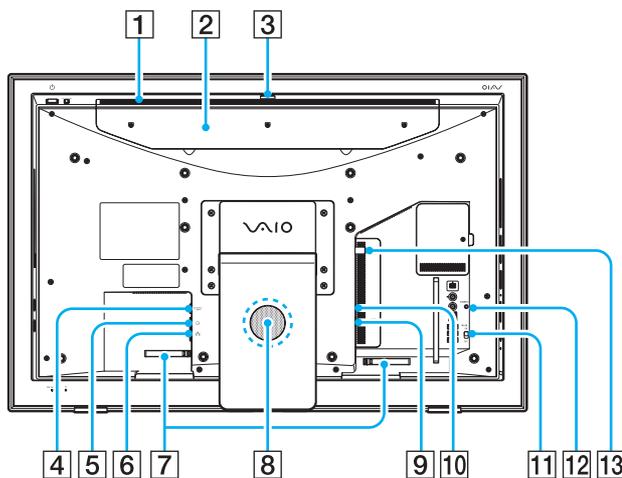


- 1 Built-in speakers (stereo)
- 2 Built-in **MOTION EYE** camera indicator ([page 18](#))
- 3 Built-in **MOTION EYE** camera ([page 41](#))
- 4 Built-in microphone (monaural)
- 5 Power indicator ([page 18](#))
- 6 **DISPLAY OFF** button  
Press this button to turn off the LCD backlight.
- 7 Power button
- 8 Remote sensor  
Point the supplied remote commander to this sensor for operations.
- 9 Remote sensor indicator ([page 18](#))
- 10 **SONY** logo lamp ([page 100](#))
- 11 LCD screen ([page 119](#))
- 12 Hard disk drive indicator ([page 18](#))
- 13 **DISPLAY OFF** indicator ([page 18](#))

## Back



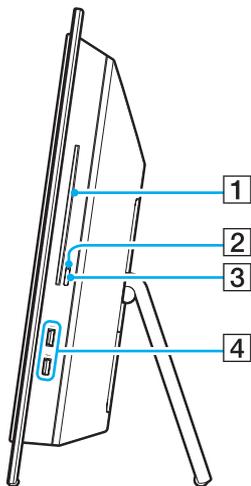
- 1** Back panel cover  
Remove the back panel cover to access the ports and jacks behind it ([page 19](#)).
  - 2** i.LINK (IEEE 1394) S400 port ([page 92](#))
  - 3** Microphone jack  
Connect an external microphone.
  - 4** Line In jack  
Connect an external audio device for audio input.
  - 5** **OPTICAL OUT** port  
(Output Sampling Rate: 44.1 KHz/48.0 KHz/96.0 KHz)  
Connect an S/PDIF-compatible device such as digital headphones or an AV amplifier.
  - 6** Hi-Speed USB (USB 2.0) ports\* ([page 89](#))
  - 7** Prop-up stand
- \* Support high-/full-/low- speeds.



- 1 Air vent
- 2 Hard disk bay cover\* ([page 113](#))
- 3 Capture angle adjuster ([page 42](#))
- 4 DC IN port ([page 21](#))
- 5 Modem port ([page 79](#))
- 6 Network (Ethernet) port ([page 94](#))
- 7 Cable clamps ([page 23](#))
- 8 Subwoofer speaker for bass frequencies
- 9 S VIDEO input port  
Connect an external device such as a VCR.
- 10 A/V INPUT jack  
Connect an external device such as a VCR.
- 11 WLAN (Wireless LAN) switch ([page 81](#))
- 12 CONNECT button ([page 24](#)), ([page 27](#))
- 13 VHF/UHF input port ([page 54](#))

\* On VGC-LT series models only.

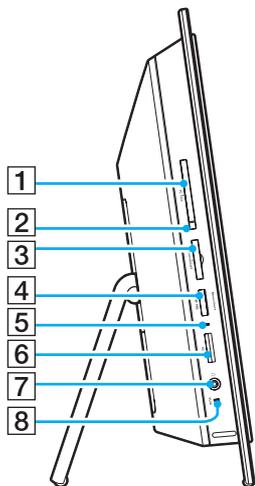
## Right



- 1 Optical disc drive ([page 43](#))
- 2 Optical disc drive indicator ([page 18](#))
- 3 Drive eject button ([page 44](#))
- 4 Hi-Speed USB (USB 2.0) ports\* ([page 89](#))

\* Support high-/full-/low- speeds.

## Left



- 1 **PC Card** slot ([page 63](#))
- 2 PC Card release button ([page 65](#))
- 3 **ExpressCard/34** slot ([page 67](#))
- 4 Memory Stick slot\* ([page 72](#))
- 5 Media Access indicator ([page 18](#))
- 6 **SD** memory card slot ([page 77](#))
- 7 Headphones jack  
Connect external headphones or speakers.
- 8 **WLAN** (Wireless LAN) indicator ([page 18](#))

\* Your computer supports both standard- and Duo-size Memory Stick media.

## About the Indicator Lights

Your computer is equipped with the following indicator lights.

Indicator	Functions
Power 	Illuminates in green when the power of the computer is on, illuminates in orange when the computer is in Sleep mode, and turns off when the computer is off.
Built-in <b>MOTION EYE</b> camera	Illuminates while the built-in <b>MOTION EYE</b> camera is in use.
Media Access	Illuminates when data is read from or written to a memory card. (Do not enter Sleep mode or turn off the computer when this indicator is on.) When the indicator is off, the memory card is not being used.
<b>DISPLAY OFF</b>	Illuminates in orange when the LCD backlight is turned off.
Optical disc drive	Illuminates when data is read from or written to the optical disc media. When the indicator is off, the optical disc media is not being used.
Remote sensor	Illuminates in red upon reception of infrared signals from the remote commander.
Hard disk drive 	Illuminates when data is read from or written to the hard disk drive. Do not enter Sleep mode or turn off the computer when this indicator is on.
Wireless LAN	Illuminates when the wireless LAN functionality is enabled.



You can change the brightness of the indicator lights. See **Setting Up Your Computer with VAIO Control Center (page 100)** and find out more in its help file.

# Setting Up Your Computer

## Removing and Replacing the Back Panel Cover

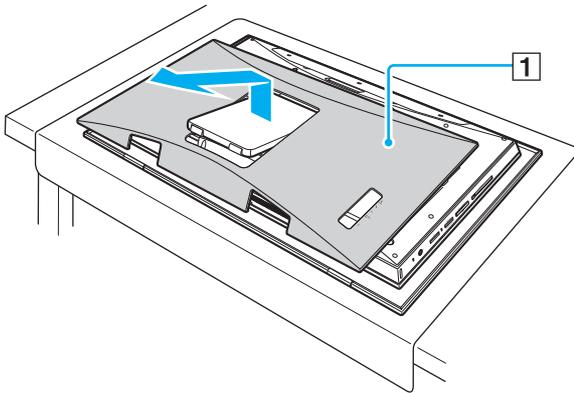
Before accessing some ports and jacks on the back of your computer, you need first to remove the back panel cover from the computer.

To remove the back panel cover

- 1 Gently face down your computer.

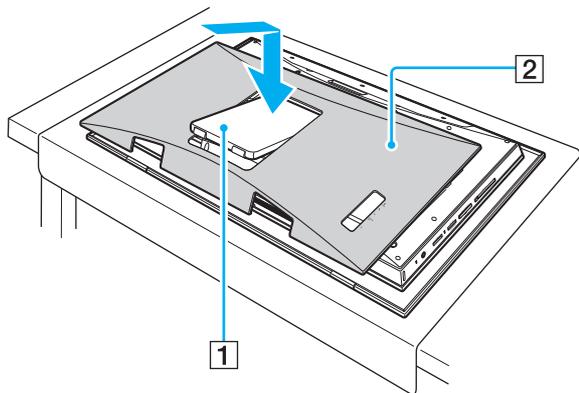
! When facing down your computer, be sure to place it on a soft cloth to avoid damage to the LCD screen.

- 2 Grasp the back panel cover (1) with both hands, gently pull it off, and move the cover toward the base of the computer.



To replace the back panel cover

- 1 Put the prop-up stand (1) through the opening of the back panel cover (2).



- 2 Align the cover with the back of the computer and push it in.

! Be sure to keep the back panel cover on the computer unless access to the back panel is necessary.

## Connecting a Power Source

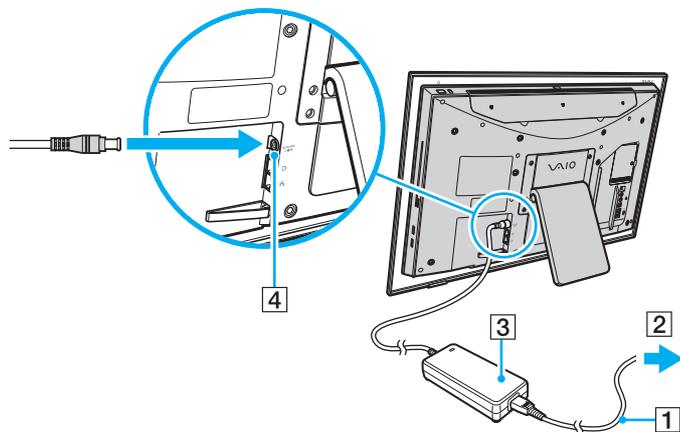
You need an AC adapter to connect to an AC power source and it must be plugged into the power source before you can establish communication with your wireless keyboard and mouse.



Use your computer only with the supplied AC adapter.

### To connect the AC adapter

- 1 Remove the back panel cover from the computer.  
See **Removing and Replacing the Back Panel Cover** (page 19) for the procedure.
- 2 Plug one end of the power cord (1) into the AC adapter (3).
- 3 Plug the other end of the power cord into an AC outlet (2).
- 4 Plug the cable connected to the AC adapter (3) into the **DC IN** port (4) on the computer.

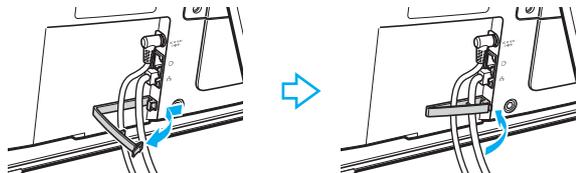


! The shape of the DC In plug varies depending on the AC adapter.

- 5 Replace the back panel cover.  
See **Removing and Replacing the Back Panel Cover** ([page 19](#)) for the procedure.



You can bundle the AC adapter cable along with other cables to keep them tidy. Snap open the cable clamp, route the cables through it, and then snap the cable clamp back shut as shown below:



To disconnect your computer completely from AC power, unplug the AC adapter.

Make sure that the AC outlets are easily accessible.

**!** If you unplug the AC adapter from your computer while the computer is on or in Sleep mode, you may lose all unsaved data.

## Connecting the Wireless Keyboard

A wireless keyboard and four AA alkaline batteries for use in the keyboard are supplied with your computer. Before attempting to use the wireless keyboard, you must install the batteries and establish communication between the computer and the keyboard.

To connect the wireless keyboard



To connect the wireless keyboard, it must be located within a range of 30 cm to 1 m from the computer.

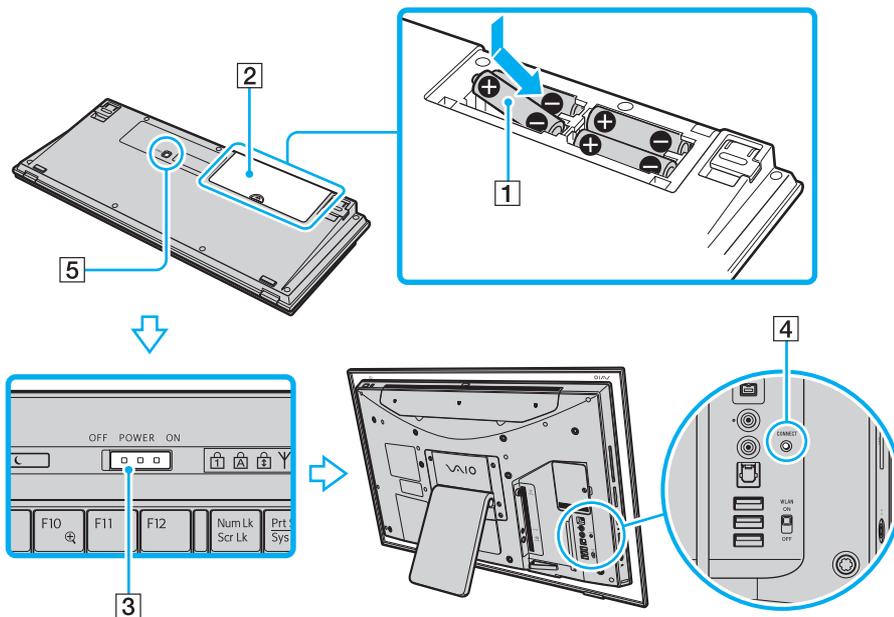
- 1 Insert the supplied four AA batteries (1) into the battery compartment (2) on the bottom of the wireless keyboard.
- 2 Remove the back panel cover from the computer.  
See **Removing and Replacing the Back Panel Cover** (page 19) for the procedure.
- 3 Turn on the computer.
- 4 Slide the **POWER** switch (3) at the top of the keyboard to the **ON** position.
- 5 Press the **CONNECT** button (4) on the back of the computer.
- 6 Press the **CONNECT** button (5) on the bottom of the keyboard.

The connect indicator  $\Upsilon$  turns on in the LCD window on the keyboard when connection is established between the computer and the keyboard. If not, repeat the procedure.



Steps 5 and 6 must be completed within 10 seconds of each other.

If the wireless keyboard is left unused for 20 minutes or longer, the connect indicator  $\Upsilon$  will turn off. This could indicate that the connection between your computer and the keyboard is lost. Press the **Fn** key to check that the connect indicator turns on before using the keyboard.



- 7 Replace the back panel cover.  
See **Removing and Replacing the Back Panel Cover** (page 19) for the procedure.



You can check the battery indicator (  or  ) in the LCD window on the wireless keyboard for its battery power level.

If the wireless keyboard does not operate properly, the batteries may need to be replaced. If the wireless keyboard is not being used for an extended period of time, remove the batteries to avoid possible damage from battery leakage.

If you want to put the wireless keyboard in a more 'ergonomic' position, flip open the keyboard feet.

## Connecting the Wireless Mouse

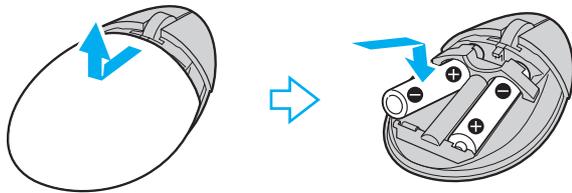
A wireless mouse and two AA alkaline batteries for use in the mouse are supplied with your computer. Before attempting to use the wireless mouse, you must install the batteries and establish communication between your computer and the mouse.

To connect the wireless mouse



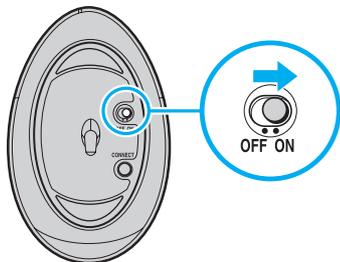
To connect the wireless mouse, it must be located within a range of 30 cm to 1 m from the computer.

- 1 Insert the supplied two AA batteries into the wireless mouse as shown below:

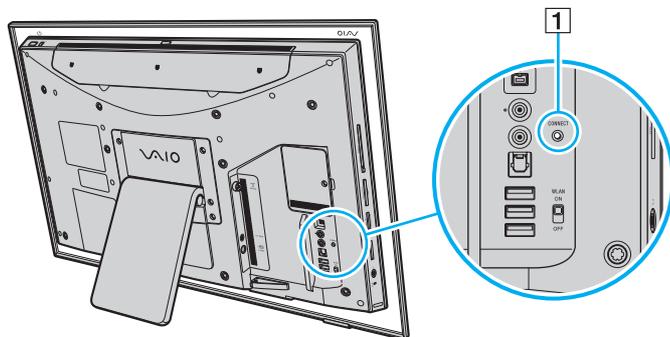


- 2 Remove the back panel cover from the computer.  
See **Removing and Replacing the Back Panel Cover** ([page 19](#)) for the procedure.
- 3 Turn on the computer.

- Slide the power switch on the bottom of the mouse to the **ON** position.



- Press the **CONNECT** button (1) on the back of the computer.



- Press the **CONNECT** button on the bottom of the mouse within 10 seconds from step 5. Communication between the mouse and the computer should now be established.

- 7 Replace the back panel cover.  
See **Removing and Replacing the Back Panel Cover** ([page 19](#)) for the procedure.



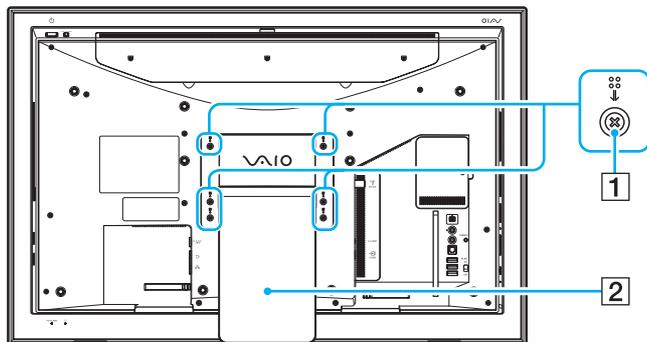
If the wireless mouse does not operate properly, the batteries may need to be replaced. If the wireless mouse is not being used for an extended period of time, remove the batteries to avoid possible damage from battery leakage.

## Preparing for VESA Mounting

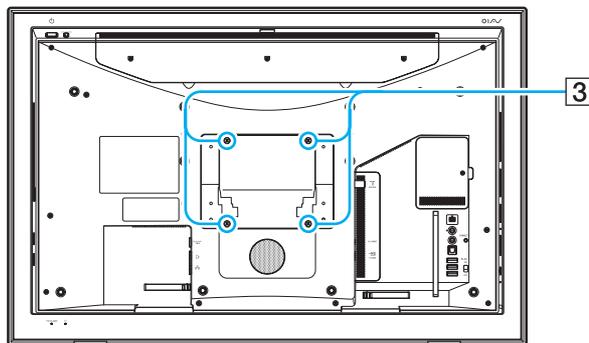
Your computer complies with the VESA (Video Electronics Standards Association) mounting standard (100 mm x 100 mm) and is equipped with four holes on its back panel for connecting to your mounting system.

To reveal the VESA mounting holes

- 1 Remove the back panel cover from the computer.  
See **Removing and Replacing the Back Panel Cover** ([page 19](#)) for the procedure.
- 2 Unscrew the six screws (1) and remove the prop-up stand (2)



- 3 Use the four holes (3) for mounting by following the instructions described in the manual that came with your mounting system.



## Shutting Down Your Computer Safely

To avoid losing unsaved data, be sure to shut down your computer properly, as described below.

### To shut down your computer

- 1 Turn off any peripherals connected to the computer.
- 2 Click **Start**, the arrow  next to the **Lock** button, and **Shut Down**.
- 3 Respond to any prompts warning you to save documents or to consider other users and wait for the computer to turn off automatically.  
The power indicator light turns off.

# Using Your VAIO Computer

This section describes how to get the most out of using your VAIO computer.

- ❑ **Using the Keyboard** ([page 34](#))
- ❑ **Using the Mouse** ([page 38](#))
- ❑ **Using the Built-in MOTION EYE Camera** ([page 41](#))
- ❑ **Using the Optical Disc Drive** ([page 43](#))
- ❑ **Using the TV Function** ([page 54](#))
- ❑ **Using PC Cards** ([page 63](#))
- ❑ **Using the ExpressCard Module** ([page 66](#))
- ❑ **Using the Memory Stick Media** ([page 70](#))
- ❑ **Using Other Memory Cards** ([page 76](#))
- ❑ **Using the Internet** ([page 79](#))
- ❑ **Using Wireless LAN (WLAN)** ([page 81](#))

## Using the Keyboard

A wireless keyboard is supplied with your computer.

The wireless keyboard uses a standard key arrangement with additional keys that perform specific functions.

The VAIO-Link Web site (<http://www.vaio-link.com>) also contains glossary information to help you use the keyboard.

## Using the Wireless Keyboard

! To maintain good communication, operate the wireless keyboard within the distance limitations of keyboard: 10 m from your computer.

Confirm that the supplied AA batteries are properly installed.

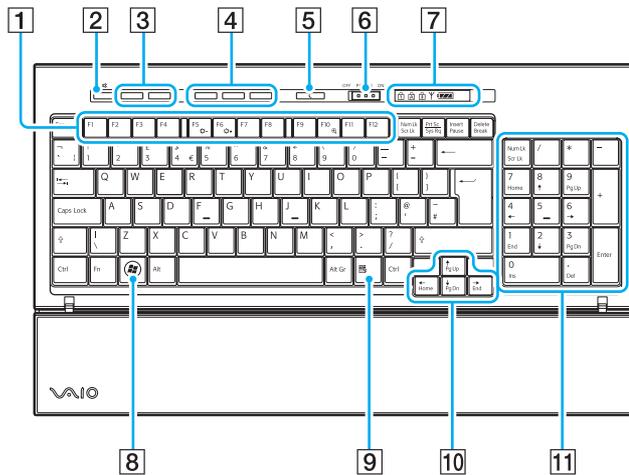
Press the **CONNECT** button located on the back of your computer first, and then press the **CONNECT** button on the bottom of the wireless keyboard.

Avoid using any wireless devices that exchange radio signals on the 2.4 GHz frequency band near the wireless keyboard. These devices may cause interference, causing the keyboard to stop working properly.

Do not place metal furniture near your computer or wireless keyboard, as this may create interference, causing the keyboard to stop working properly.

Do not mix old (used) and new batteries when replacing batteries in the wireless keyboard. Always use the same type and manufacture of battery.

Do not mix alkaline with manganese batteries. Using incompatible batteries or mixing used, new or different types of batteries can damage the wireless keyboard.



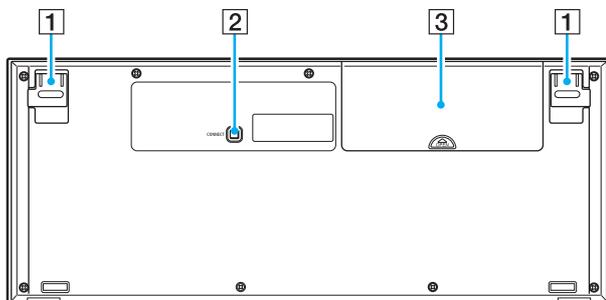
Illustrated above is the English keyboard as an example.

- 1** Function keys  
Perform certain tasks. The task associated with each function key varies among software applications except the following combinations with the **Fn** key.  
**Fn+F5**: Decreases lighting intensity of the LCD screen.  
**Fn+F6**: Increases lighting intensity of the LCD screen.  
**Fn+F10**: Changes the screen resolution to magnify/restore your computer's screen view.
- 2** Muting button  
Turns the volume on and off.
- 3** Volume control buttons  
Increase (+) or decrease (-) the volume.
- 4** Shortcut buttons  
Perform the pre-assigned tasks. The default tasks are as follows:  
**S1**: Opens the **Media Center Start** menu.  
**S2**: Launch **Internet Explorer** or toggles the LCD image quality mode between Video Mode (suitable for video viewing) and PC Mode (suitable for PC operation) with the **Video Optimizer** feature.  
**S3**: Ejects the optical disc from the drive.



The default **S** button assignments may be different from the above. In such a case, you can change the assignments with **VAIO Control Center**. See **Setting Up Your Computer with VAIO Control Center** (page 100) and find out more in its help file.

- 5** Sleep button  
Provides for the lower level of power consumption.  
For details on power management, see **Using the Power Saving Mode (page 101)**.
- 6** **POWER** switch  
Slide the **POWER** switch to turn on and off the wireless keyboard.
- 7** Indicators
-  (Battery):  turns on while the AA batteries for the wireless keyboard are sufficient and switches to  when the batteries wear out.
-  (Num lock): Turns on while in the Num Lock state.
-  (Caps lock): Turns on while in the Caps Lock state.
-  (Scroll lock): Turns on while in the Scroll Lock state.
-  (Connect): Turns on while connection between the computer and the wireless keyboard is in place to indicate that the keyboard is ready for use ([page 24](#)).
- 8** Windows key  
Displays the **Start** menu.
- 9** Applications key  
Displays a shortcut menu in certain software applications.
- 10** Directional arrow keys  
Move the pointer on the computer screen.
- 11** Numeric keypad  
Use the numeric keypad to type numbers or to perform basic math calculations.



- 1** Keyboard feet  
Flip open to adjust the keyboard angle.
- 2** **CONNECT** button ([page 24](#))  
Press to enable the wireless keyboard to communicate with the computer.
- 3** Battery compartment  
Storage compartment for the AA batteries.

## Using the Mouse

A wireless mouse is supplied with your computer.

### Using the Wireless Mouse

The wireless optical mouse has no cables to plug in and uses a light-emitting diode (LED) instead of a ball.

! To maintain good communication, operate the wireless mouse within the distance limitations of mouse: 10 m from your computer.

Confirm that the supplied AA batteries are properly installed.

Press the **CONNECT** button located on the back of your computer first, and then press the **CONNECT** button on the bottom of the wireless mouse.

Avoid using any wireless devices that exchange radio signals on the 2.4 GHz frequency band near the wireless mouse. These devices may cause interference, causing the mouse to stop working properly.

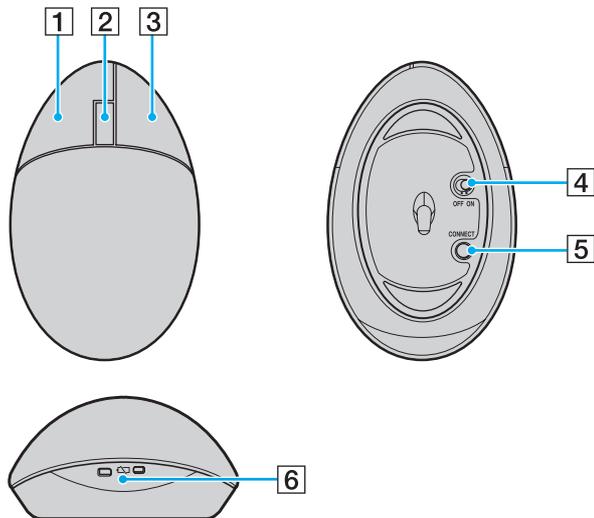
Use surfaces such as plain paper, card stock, or fabric that have minimal repetitive patterns.

Avoid surfaces such as mirrors, smooth glass, or magazines that have half- tone printing.

Do not place metal furniture near your computer or wireless mouse, as this may create interference, causing the mouse to stop working properly.

Do not mix old (used) and new batteries when replacing batteries in the wireless mouse. Always use the same type and manufacture of battery.

Do not mix alkaline with manganese batteries. Using incompatible batteries or mixing used, new or different types of batteries can damage the wireless mouse.



- 1** Left button  
Click or double-click the left button to select items. To drag and drop items, hold the left button down while sliding the mouse, then release the button to drop the item.
- 2** Central wheel  
Rotate the central wheel to scroll up or down a page. Press the wheel once to lock the scroll action and control the movement by moving the entire mouse (the scroll function is available only with applications that support it).
- 3** Right button  
Press the right button once to display a context-sensitive shortcut menu (not always an active function).
- 4** Power switch  
Slide the switch to turn the mouse on and off. This will help you save battery power.
- 5** **CONNECT** button ([page 27](#))  
Press to enable communication between the computer and the wireless mouse.
- 6** Battery indicator  
Blinks when the mouse batteries are running out of power.

## Adjusting the Mouse Functions

- 1 Click **Start** and **Control Panel**.
- 2 Click **Mouse** under **Hardware and Sound**.  
The **Mouse Properties** window appears.
- 3 Change the settings.

## Using the Built-in MOTION EYE Camera

Your computer is equipped with a built-in **MOTION EYE** camera.

The built-in **MOTION EYE** camera adds video functionality to instant messaging software and video editing software.

Turning on the computer activates the built-in **MOTION EYE** camera, so the computer is ready for a video conference using such software.

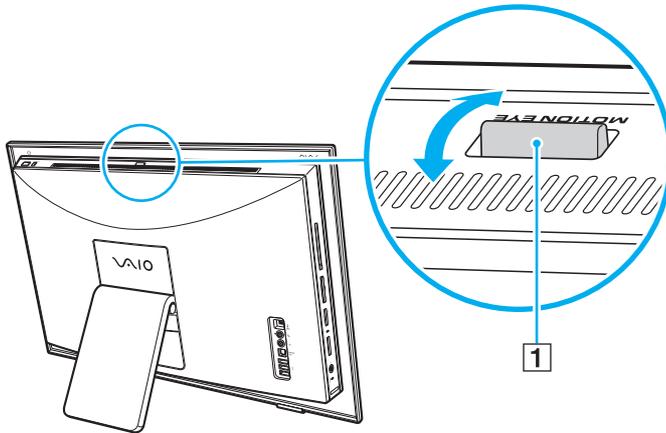
Note that launching or exiting your instant messaging or video editing software does not activate or deactivate the built-in **MOTION EYE** camera, respectively. Make sure that the camera is activated before using the software.



The built-in **MOTION EYE** camera cannot be shared by more than one software application. If another software application is using the camera, exit the application before using the built-in **MOTION EYE** camera.

When capturing an image in a dark place, click **Start, All Programs, VAIO Camera Capture Utility, and VAIO Camera Capture Utility** to start **VAIO Camera Capture Utility**. Click the **Camera** button to display the **Properties** window and select the **Low Light** check box. It decreases the frame rate and slows down the shutter speed to allow the camera to capture more light.

You can change the capture angle of the built-in **MOTION EYE** camera with the capture angle adjuster (1) on the back of your computer. Push down or up the horizontal bar to adjust the angle upward or downward, respectively, until you see the live feed in the desired angle.



The viewer window may show some noises, for example horizontal streaks, if you view a rapid-moving object. This is normal and does not indicate a malfunction.

You cannot operate the built-in **MOTION EYE** camera with the **Microsoft Windows MovieMaker** software.

## Using the Optical Disc Drive

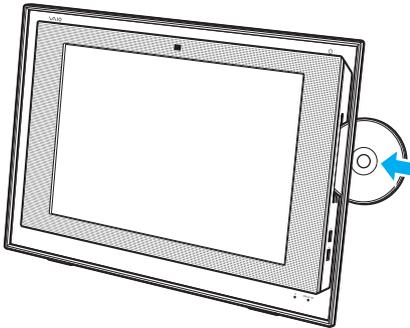
Your computer is equipped with an optical disc drive.

To insert a disc

**!** Be sure to attach the 8cm disc adapter to an 8cm disc before inserting the disc into the optical disc drive slot.

Slide the disc straight into the slot so as not to apply excessive pressure to the disc or slot.

- 1 Turn on the computer.
- 2 With the label side facing toward you, slide a disc into the optical disc drive slot.



If you plan to use an external optical disc drive, connect the drive before you launch any preinstalled disc operation program.

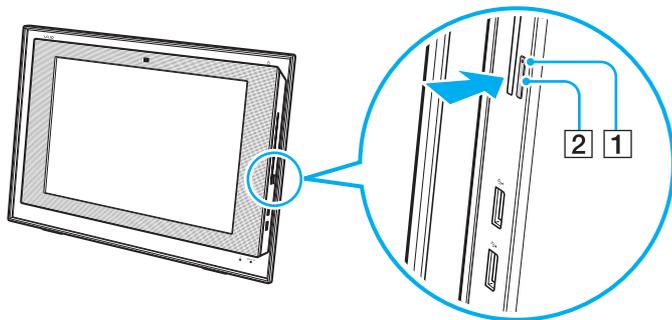
## To remove a disc

! The drive eject button is disabled when your computer is turned off.

Do not remove the optical disc when your computer is in Sleep mode. Doing so may cause the computer to malfunction.

Be sure not to pull out the optical disc forcefully before it completely slides out.

- 1 Check that the optical disc drive indicator (1) is off.
- 2 Press the drive eject button (2) or the **S3** button on the wireless keyboard. The optical disc slides out.



Alternatively, you can remove a disc with some mouse operations.

To do so, click **Start** and **Computer**, right-click the optical disc drive icon, and select **Eject**.

If pressing either button does not slide the disc out of the drive, restart your computer and repeat the procedure.

## Reading and Writing Optical Discs

Your computer plays and records CDs, DVDs, and Blu-ray Discs™, depending on the model you purchased. Check your specifications for the type of optical disc drive installed on your model. Use the table below to see which types of media your optical disc drive supports.

PR: playable and recordable  
 P: playable but not recordable  
 -: not playable or recordable

	CD-ROM	Video CD	Music CD	CD Extra	CD-R/ RW	DVD-ROM	DVD-Video	BD-ROM	DVD-R/ RW	DVD+R/ RW	DVD+R DL	DVD-R DL	DVD-RAM	BD-R <sup>*9</sup> / RE <sup>*10</sup>
DVD±RW/ ±R DL/RAM	P	P	P	P	PR	P	P	-	PR <sup>*1 *2</sup>	PR	PR <sup>*5</sup>	PR <sup>*6</sup>	PR <sup>*3 *4</sup>	-
CD-RW/ DVD-ROM	P	P	P	P	PR	P	P	-	P	P	P	P	-	-
DVD-ROM	P	P	P	P	P	P	P	-	P	P	P	P	-	-
Blu-ray Disc	P	P	P	P	PR <sup>*8</sup>	P	P	P	PR <sup>*1 *2</sup>	PR	PR <sup>*5</sup>	PR <sup>*6</sup>	PR <sup>*3 *4</sup>	PR <sup>*7 *11</sup>
Blu-ray Disc Combo	P	P	P	P	PR <sup>*8</sup>	P	P	P	PR <sup>*1 *2</sup>	PR	PR <sup>*5</sup>	PR <sup>*6</sup>	PR <sup>*3 *4</sup>	P <sup>*11</sup>

<sup>\*1</sup> Supports writing data to DVD-R discs compliant with DVD-R for General Version 2.0/2.1.

<sup>\*2</sup> Supports writing data to DVD-RW discs compliant with DVD-RW Version 1.1/1.2.

<sup>\*3</sup> The DVD±RW/RAM disc drive on your computer does not support the DVD-RAM cartridge. Use non-cartridge discs or discs with removable cartridge.

<sup>\*4</sup> Writing data to single-sided DVD-RAM discs (2.6 GB) compliant with DVD-RAM Version 1.0 is not supported.  
 DVD-RAM Version 2.2/12X-SPEED DVD-RAM Revision 5.0 disc is not supported.

<sup>\*5</sup> Writing data to DVD+R DL (Double Layer) discs is available only on discs supporting DVD+R DL (Double Layer) recording.

<sup>\*6</sup> Writing data to DVD-R DL (Dual Layer) discs is available only on discs supporting DVD-R DL (Dual Layer) recording.

<sup>\*7</sup> Supports writing data to BD-R Version 1.1 discs (single-layer discs with the capacity of 25 GB, dual-layer discs with the capacity of 50 GB) and BD-RE Version 2.1 discs (single-layer discs with the capacity of 25 GB, dual-layer discs with the capacity of 50 GB).

<sup>\*8</sup> Writing data to Ultra Speed CD-RW discs is not supported on models with the Blu-ray Disc drive.

<sup>\*9</sup> BD-R stands for Blu-ray Disc-Recordable in Version 1.1 format.

<sup>\*10</sup> BD-RE stands for Blu-ray Disc-Rewritable in Version 2.1 format.

<sup>\*11</sup> The Blu-ray Disc drive on your computer does not support BD-RE version 1.0 discs and Blu-ray cartridge discs.

! This product is designed to playback discs that conform to the Compact Disc Digital Audio standard specifications (CD Standard). A DualDisc is a two sided disc product which mates DVD recorded material on one side with digital audio material on the other side. Be aware that the audio side (non-DVD side) of a DualDisc may not play on this product because it does not conform to the CD Standard.

Due to the multiple formats of discs now available, when buying pre-recorded or blank discs for use with a VAIO computer, be sure to read the notices on the disc packaging carefully to check both playback and recording compatibility with your computer's optical disc drives. Sony does NOT guarantee the compatibility of VAIO CD drives with discs that are not compliant with the official "CD" format standard (or "DVD" standard in relation to DVD drives, or "Blu-ray Disc" standard in relation to Blu-ray Disc drives). USING NON-COMPLIANT DISCS CAN CAUSE FATAL DAMAGE TO YOUR VAIO PC OR CREATE SOFTWARE CONFLICTS AND CAUSE SYSTEM HANGING.

For inquiries about disc formats, contact the individual publisher of the pre-recorded disc or the manufacturer of the recordable disc.



8cm disc writing is not supported.

Except the Blu-ray Disc drive, all other optical disc drives are capable of reading 8cm discs with the supplied 8cm disc adapter.

With the supplied 8cm disc adapter, the Blu-ray Disc drive is capable of reading 8cm DVD-R, DVD-RW, DVD+RW, and DVD+R DL discs, but not 8cm CD-ROM and DVD-RAM discs.

! To play copyright protected Blu-ray Discs continuously, you need to update the AACMS key. Note that the AACMS key update requires Internet access.

As with other optical media devices, circumstances may limit compatibility or prevent Blu-ray Disc playback. VAIO computers may not support movie playback on packaged media recorded in AVC or VC1 formats at high bit rates.

Region settings are required for movies and BD-ROM contents. If the region setting on the optical disc drive does not match the region coding on the disc, playback is not possible.

Unless your external display is compliant with the High-bandwidth Digital Content Protection (HDCP) standard, you cannot play or view the contents of copyright protected Blu-ray Discs.

Some contents may restrict video output to be standard definition or prohibit analog video output at all. It is strongly recommended that digital HDCP-compliant environment be implemented for optimum compatibility and viewing quality.

## Notes on writing data to a disc

- ❑ Use only Sony recommended software, which is preinstalled on your computer, to write data to a disc. Other software programs may not be fully compatible and errors may result.
- ❑ To make data on a disc readable on the optical disc drive, you need to close the session before you eject it. To complete this process, follow the instructions included with your software.
- ❑ Only use circular discs. Do not use discs in any other shape (star, heart, card, etc.), as this may damage the optical disc drive.
- ❑ Do not strike or shake your computer while writing data to a disc.
- ❑ Deactivate the screen saver and exit anti-virus software before writing data to a disc.
- ❑ Do not use memory-resident utility software while writing data to a disc. This may cause your computer to malfunction.
- ❑ Before using your software application to burn discs, make sure you exit and close all other applications.
- ❑ Do not place your computer into the power saving mode while using the preinstalled software or any disc burning software.
- ❑ Make sure you use the same disc burning software to add data to a used disc. Use of different disc burning software for additional data burning may cause a failure. For example, if you have a disc with data that you burned with the **Roxio Easy Media Creator** software, use the **Roxio Easy Media Creator** software to add more data to the same disc.

## Notes on playing discs

To achieve optimum performance when playing discs, you should follow these recommendations.

- ❑ Some CD players and computers' optical disc drives may not be able to play audio CDs created with the CD-R or CD-RW disc media.
- ❑ Some DVD players and computers' optical disc drives may not be able to play DVDs created with the DVD+R DL, DVD-R DL, DVD+R, DVD+RW, DVD-R, DVD-RW, or DVD-RAM disc media.
- ❑ Do not use memory-resident utility software to speed up disc access when playing a disc. This may cause your computer to malfunction.
- ❑ Do not place your computer into the power saving mode while your computer is playing a disc.
- ❑ Region code indicators are labeled on the DVDs to indicate in which region and on what type of player you can play the disc. Unless a "2" (Europe belongs to region "2") or "all" (this means that you can play this DVD in most regions of the world) is labeled on your DVD disc or on the packaging, you cannot play the disc on your computer.

!

If you change the DVD region code while the **WinDVD** or **WinDVD BD** software is running, restart the software or eject the disc and re-insert it to make the new setting effective.

- ❑ Do not try to change the region code settings of the DVD drive. Any difficulties caused by changing the region code settings of the DVD drive are out of warranty.

## Playing CDs

To play an audio CD

- 1 Insert a disc into the optical disc drive.
- 2 If nothing appears on the desktop, then click **Start, All Programs**, and the desired CD software to play the CD.  
If the **Audio CD** window appears, click to select an option.

## Copying Files to CDs

To copy files to a disc

! Do not strike or shake your computer while writing data to a disc.

- 1 Insert a disc into the optical disc drive.  
If the **AutoPlay** window appears, click **Burn files to disc** and follow the on-screen instructions until the empty disc folder appears.
- 2 Open the folder that contains the file(s) you want to copy and drag them to the empty disc folder.
- 3 Close the disc folder.

## Playing DVDs

To play a DVD

- 1 Close all running software applications.
- 2 Insert a DVD into the optical disc drive.
- 3 If nothing appears on the desktop, then click **Start, All Programs**, and the desired DVD software to play the DVD.

For instructions on how to use the software, see the help file on your DVD software.

## Copying Files to DVDs

To copy files to a disc

- 1 Insert a disc into the optical disc drive.
- 2 If nothing appears on the desktop, then click **Start, All Programs**, and the desired DVD software to copy files to the disc.

For instructions on how to use the software, see the help file on your DVD software.

## Playing Blu-ray Discs

! The Blu-ray Disc playback function is available on selected models only. See the online **Specifications** to find the type of your optical disc drive, and then **Reading and Writing Optical Discs (page 45)** to find about the supported disc media.

### To play a Blu-ray Disc

- 1 Close all running software applications.
- 2 Insert a Blu-ray Disc into the optical disc drive.
- 3 If nothing appears on the desktop, then click **Start, All Programs**, and the desired Blu-ray Disc software to play the disc.

For instructions on how to use the software, see the help file on your software.

## Copying Files to Blu-ray Discs

! The Blu-ray Disc writing function is available on selected models only. See the online **Specifications** to find the type of your optical disc drive, and then **Reading and Writing Optical Discs (page 45)** to find about the supported disc media.

### To copy files to a Blu-ray Disc

- 1 Connect the AC adapter to the computer.
- 2 Insert a Blu-ray Disc into the optical disc drive.
- 3 If nothing appears on the desktop, then click **Start, All Programs**, and the desired Blu-ray Disc software to copy files to the disc.

For instructions on how to use the software, see the help file on your software.

## Using the TV Function

Your computer has one or two hybrid TV tuner boards installed along with the **Microsoft Windows Vista Home Premium** operating system which includes **Windows Media Center** that enables TV program viewing, recording, and playback. See the online **Specifications** to find the number of the TV tuner board installed in your computer.

The hybrid TV-tuner supports the following broadcasts:

- ❑ Analog cable and terrestrial TV:  
Systems: B/G/I/D/K/L/L'  
Color systems: PAL and SECAM  
Frequency band: 48.25 MHz - 855.25 MHz
- ❑ Digital terrestrial TV (DVB-T):  
System: DVB-T  
Video system: MPEG2\*  
Frequency band: 48.25 MHz - 855.25 MHz

!

Any functions related to digital terrestrial television (DVB-T) will only work in countries or areas where DVB-T MPEG2\* digital terrestrial TV signals are broadcasted. Make sure you can receive a DVB-T MPEG2\* signal where you live.

\* MPEG4/H.264 AVC also applies to French models sold in France when using **TV Enhance pour VAIO**. See **Setting up TV Enhance pour VAIO (page 62)** for more information.

## To connect your computer to terrestrial or cable TV services

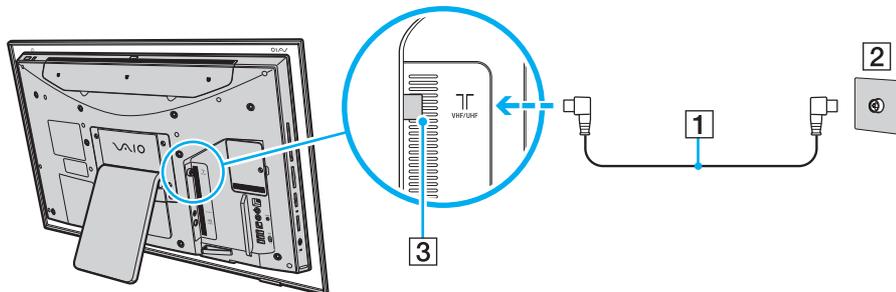


You need to remove the back panel cover from the computer before setting up the TV connection. See **Removing and Replacing the Back Panel Cover** (page 19) for the procedure.



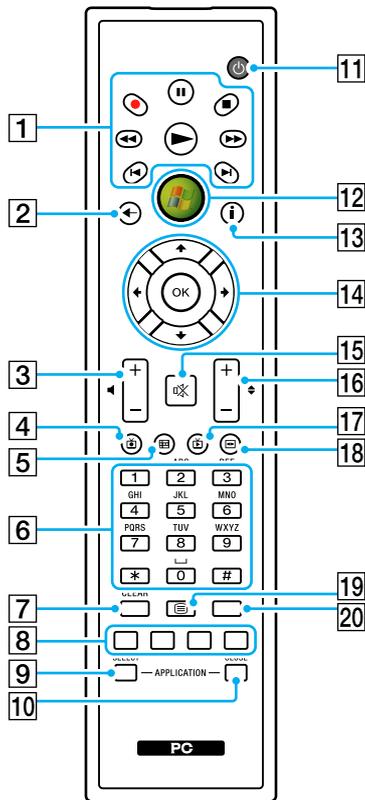
The appearance of the antenna/cable-TV cable and the **VHF/UHF** input port may vary in some countries or areas.

- 1 Connect one end of an antenna/cable-TV cable (supplied) (1) to the **VHF/UHF** input port on the computer (3).
- 2 Connect the other end of the cable to your TV wall outlet/cable service access (2).



## Using the Remote Commander

A remote commander is supplied with your computer for using Media Center features, including TV channel selection.



- 1** Pause **||** button  
Press to pause media playback. Press again to resume playback.  
Stop **■** button  
Press to stop media playback or TV recording session.  
Forward **▶▶** button  
Press to fast-forward media at three speeds.  
Skip **▶I** button  
Press to move media forward, for example, one audio track, one DVD chapter, and 30 seconds of recorded TV or video.  
Replay **I◀** button  
Press to move media backward, for example, one audio track, one DVD chapter, and 7 seconds of TV or video.  
Rewind **◀◀** button  
Press to move media backward at three speeds.  
Record **●** button  
Press to begin recording.  
Play **▶** button  
Press to begin media playback.
- 2** Back button  
Press to return to the previous window.
- 3** Volume buttons  
Press to increase (+) or decrease (-) the volume.
- 4** Recorded TV button  
Press to view previously recorded TV programs (In **My TV** window).

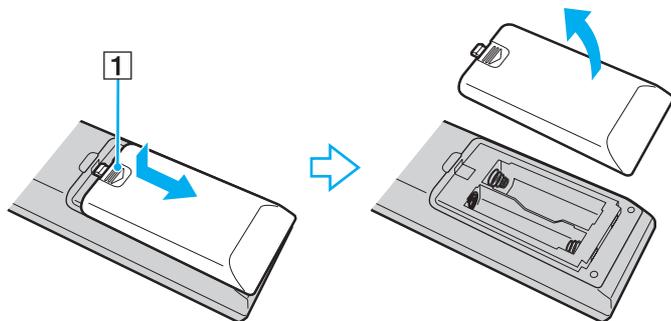
- 5** Guide button  
Press to view the TV program guide for your area.
- 6** Alphanumeric buttons  
Press to select specific channels or enter text. (Press **ENTER** or **OK** to activate the channel selection.)
- 7** **CLEAR** button  
Press to backspace and delete entered text.
- 8** Teletext TV program mode buttons
  - Red button  
Press to jump to the red shortcut link in teletext TV program mode.
  - Green button  
Press to jump to the green shortcut link in teletext TV program mode.
  - Yellow button  
Press to jump to the yellow shortcut link in teletext TV program mode.
  - Blue button  
Press to jump to the blue shortcut link in teletext TV program mode.
- 9** **APPLICATION SELECT** button  
Press to switch among open applications. This button works the same as the **Alt+Tab** keys.
- 10** **APPLICATION CLOSE** button  
Press to close the active application window.
- 11** Sleep button  
Press to place the computer into Sleep mode to reduce power consumption.
- 12** Start button  
Press to open the **Media Center Start** menu.
- 13** More button  
Press to view additional options that are available for Media Center features.
- 14** Directional arrow buttons  
Press the **↑**, **↓**, **←**, and **→** buttons to move the pointer on the screen.  
**OK** button  
Press to select the desired action or window option. When watching full-screen TV, press to return to the previous channel. Press again to switch between channels.
- 15** Muting button  
Press to turn off the sound. Press again to restore the sound.
- 16** Channel/Page buttons  
Press to change or page up/down channels (no number input required).
- 17** Live TV button  
Press to view TV programs.
- 18** DVD menu button  
Press to open the main menu on a DVD.
- 19** Teletext TV program mode selection button  
Press to activate/deactivate teletext TV program mode.
- 20** **ENTER** button  
Press to activate feature or action, such as channel selection or return to previous channel. (This button's actions are similar to using the **OK** button.)

## Before you use the remote commander

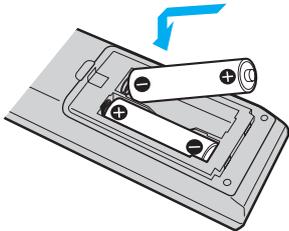
Before using the remote commander, you need to insert the supplied AA manganese batteries to enable communication between the computer and the remote commander.

### To insert batteries

- 1 Turn the remote commander over.
- 2 Slightly push down the dented area (1), slide the battery cover in the direction of the arrow, and remove the cover.



- 3 Insert the supplied two AA batteries into the remote commander.



- 4 Put the battery cover back on the remote commander and slide it in the reverse direction of the arrow illustrated above until the cover clicks into place.



If the remote commander does not operate properly, you may need to replace the batteries. When the remote commander is not going to be used for an extended period of time, remove the batteries to avoid possible damage from battery leakage.

## Setting up Windows Media Center

The first time you launch **Windows Media Center**, the setup wizard will pop up. To configure the TV tuner, click **Custom setup** and follow the on-screen instructions. In the **Optional Setup** window, click **Configure tuners, TV signal, and Guide** and follow the on-screen instructions.

In case the TV tuner was not configured during the first run of **Windows Media Center**, you can do this by selecting **set up TV** in the **TV + Movies** section.

When you want to change TV input signal (TV Signal or TV Signal Type) or change location, click **settings** in the **Tasks** section and then click **TV**.

Note that in this case a new channel scan needs to be done and that the previous channel list and **Guide** information is lost and that scheduled timer recordings are cancelled.



On systems with two hybrid TV tuner boards, you can record up to two channels at the same time.

## Setting up TV Enhance pour VAIO

**TV Enhance pour VAIO** is available on French models sold in France only.

**TV Enhance pour VAIO** allows you to watch and record free-to-air standard definition and high definition digital terrestrial TV improving your multimedia experience.

To launch the application, start **Windows Media Center** and go to **TNT** and select:

- TV en direct**: to start watching live TV.
- TV enregistrée**: to access your TV recordings.
- Guide**: to consult the electronic program guide.
- TV + menu**: to watch live TV and have easy access to settings.

The first time you launch **TV Enhance pour VAIO**, the setup wizard will pop up. Follow the on-screen instructions to configure the application.

When you want to re-scan channels or to change location, go to the **Menu** and **Paramètres**, and then click **Paramètres signal** or **Rechercher les chaînes**. See the help of on the software for more information.



In single tuner systems, the tuner can be used either by MCE TV or by **TV Enhance pour VAIO**.

The supplied remote commander can also be used in **TV Enhance pour VAIO** but the following buttons are reserved for **Windows Media Center**: Live TV, Recorded TV, Guide, and More.

## Using PC Cards

PC Cards allow you to connect portable external devices to your computer.

### Inserting a PC Card

**!** Some PC Cards or their functions may not be compatible with your computer.

You do not need to shut down your computer before inserting or removing a PC Card.

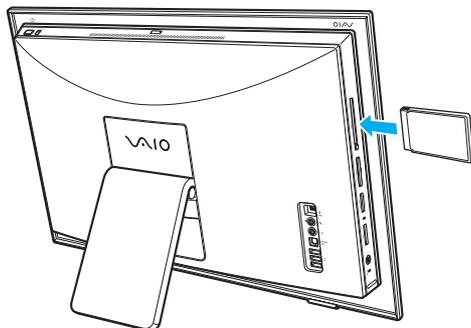
#### To insert a PC Card

- 1 Locate the PC Card slot ([page 17](#)).
- 2 Insert the PC Card into the PC Card slot.

**!** Make sure that the back of the PC Card is facing toward you.

Make sure that the arrow on the PC Card is pointing toward the PC Card slot.

- 3 Gently push the PC Card into the slot all the way to the end.  
The PC Card is automatically detected by your system.  
The Safely Remove Hardware icon appears on the taskbar.



Some devices may not function properly if you continuously switch to Normal mode from Sleep mode. For some PC Cards, if you alternate between Normal mode and Sleep mode while the card is inserted, you may find that the device connected to your system through the PC card is not recognized. Restart your system to correct the problem.

Make sure you use the latest software driver provided by the PC Card manufacturer.

Do not force a PC Card into the slot. It may damage the connector pins. If you have difficulty inserting a PC Card, check that you are inserting the PC Card in the correct direction. See the manual that came with your PC Card for more information.

## Removing a PC Card

Follow the steps below to remove the PC Card while your computer is on. If it is not removed properly, your system may not work properly.

### To remove a PC Card



To remove a PC Card when your computer is off, skip steps 1 to 7.

- 1 Double-click the **Safely Remove Hardware** icon on the taskbar.  
The **Safely Remove Hardware** window appears.
- 2 Select the hardware you want to unplug.
- 3 Click **Stop**.  
The **Stop a Hardware device** window appears.
- 4 Confirm that the device can be safely removed from the system.
- 5 Click **OK**.  
A message appears stating it is now safe to remove the hardware device.
- 6 Click **OK**.
- 7 Click **Close** to close the **Safely Remove Hardware** window.
- 8 Push the PC Card release button so that the release button pops out.
- 9 Push the PC Card release button a second time so that the PC Card pops out.
- 10 Gently take hold of the Card and pull it out of the slot.
- 11 If the PC Card release button is still out, push it back in all the way to the end.

## Using the ExpressCard Module

Your computer is equipped with either a Universal ExpressCard™ slot\* or an ExpressCard™/34 slot\* for transferring data among digital cameras, camcorders, music players, and other audio/video devices. The former can accommodate either an ExpressCard™/34 (34mm wide) or ExpressCard™/54 (54mm wide) module\* as shown below; and the latter, an ExpressCard™/34 module\* only.

- ExpressCard™/34 module\*



- ExpressCard™/54 module\*



Your computer is equipped with an ExpressCard™/34 slot\*.

\* Referred to as the ExpressCard slot and the ExpressCard module in this manual.

## Inserting an ExpressCard Module

**!** Your computer is delivered with a slot protector in the ExpressCard slot. Remove the slot protector before you use the slot.

Use care when inserting or removing the ExpressCard module from the slot. Do not force it in or out of the slot.



You do not need to shut down your computer before inserting or removing the ExpressCard module.

### To insert an ExpressCard module

- 1 Locate the ExpressCard slot ([page 17](#)).
- 2 Push the ExpressCard slot protector to pop it out.
- 3 Gently take hold of the ExpressCard slot protector and pull it out of the slot.
- 4 Carefully slide the ExpressCard module into the slot until it clicks into place.

**!** Make sure that the back of the ExpressCard module is facing toward you.

Make sure that the arrow on the ExpressCard module is pointing toward the ExpressCard slot.

Do not force the ExpressCard module into the slot.



## Removing an ExpressCard Module

Follow the steps below to remove the ExpressCard module while your computer is on. If it is not removed properly, your system may not work properly.

To remove an ExpressCard module



To remove an ExpressCard module when your computer is off, skip steps 1 to 7.

- 1 Double-click the **Safely Remove Hardware** icon on the taskbar.  
The **Safely Remove Hardware** window appears.
- 2 Select the hardware you want to unplug.
- 3 Click **Stop**.  
The **Stop a Hardware device** window appears.
- 4 Confirm that the device can be safely removed from the system.
- 5 Click **OK**.  
A message appears stating it is now safe to remove the device.
- 6 Click **OK**.
- 7 Click **Close** to close the **Safely Remove Hardware** window.
- 8 Push in the ExpressCard module toward the computer to pop it out.
- 9 Gently take hold of the ExpressCard module and pull it out of the slot.

## Using the Memory Stick Media

Memory Stick media is a compact, portable, and versatile IC recording media especially designed for exchanging and sharing digital data with compatible products, such as digital cameras, mobile phones and other devices. Because it is removable, it can be used for external data storage.

## Before You Use the Memory Stick Media

The Memory Stick slot on your computer can accommodate both standard- and Duo-size media and support Memory Stick PRO and Memory Stick PRO-HG Duo media with high speed and high capacity capabilities.



You can insert a Duo-size Memory Stick media directly into the Memory Stick slot without using a Memory Stick Duo Adaptor.



Before using a Memory Stick Micro (M2) media, be sure to insert it into an M2 Standard-size or M2 Duo-size Adaptor. If you insert the media directly into the Memory Stick slot without the Adaptor, you may not be able to remove it from the slot.

For the latest information about the Memory Stick media, visit the Memory Stick Web site at <http://www.memorystick.com/en/>.



Your computer has been tested and found compatible with the Sony branded Memory Stick media with capacity of up to 8 GB that are available as of May 2007. However, not all Memory Stick media that meet the same conditions as the compatible media are guaranteed of compatibility.

Inserting a Memory Stick media with multiple conversion adapters is not guaranteed of compatibility.

MagicGate is the general name of the copyright protection technology developed by Sony. Use a Memory Stick media with the MagicGate logo to use this feature.

Besides for your personal enjoyment, it is against the copyright law to use any audio and/or image data you recorded without prior consent from the respective copyright holders. Accordingly, Memory Stick media with such copyrighted data can be used only within the law.

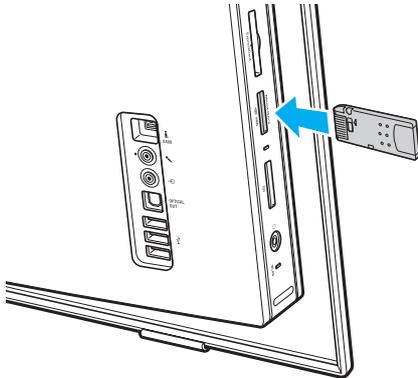
The Memory Stick slot on your computer does not support 8-bit parallel data transfer (high speed data transfer).

The Memory Stick Micro media in an M2 Duo-size Adaptor may not operate properly if it is additionally inserted into a Memory Stick Duo Adaptor.

## Inserting a Memory Stick Media

To insert a Memory Stick media

- 1 Locate the Memory Stick slot ([page 17](#)).
- 2 Hold the Memory Stick media with the arrow pointing toward the Memory Stick slot.
- 3 Carefully slide the Memory Stick media into the slot until it clicks into place.  
The Memory Stick media is automatically detected by your system and the content of the Memory Stick media is displayed. If nothing appears on the desktop, click **Start, Computer**, and double-click the Memory Stick media icon.



**!** Be sure to hold the Memory Stick media with the arrow pointing in the correct direction as you insert it into the slot. To avoid damaging your computer or the Memory Stick media, do not force the Memory Stick media into the slot if you cannot insert it smoothly.

Do not insert more than one Memory Stick media into the slot. Improper insertion of the media may damage both your computer and the media.

To view the contents of the Memory Stick media

- 1 Click **Start** and **Computer** to open the **Computer** window.
- 2 Double-click the Memory Stick media icon to view the list of data files saved in the Memory Stick media.

To format a Memory Stick media

The Memory Stick media has been formatted in the factory default setting and is ready for use. If you want to reformat the media with your computer, follow these steps.

 Be sure to use the device that is designed to format the media and supports the Memory Stick media when formatting the media.

Formatting the Memory Stick media erases the entire data on the media. Before formatting the media, make sure that it does not contain your valuable data.

Do not remove the Memory Stick media from the slot while formatting the media. This could cause a malfunction.

- 1 Carefully slide the Memory Stick media into the slot until it clicks into place.
- 2 Click **Start** and **Computer** to open the **Computer** window.
- 3 Right-click the Memory Stick media icon and select **Format**.
- 4 Click **Restore device defaults**.

 The size of the allocation unit and file system may change.

Do not select **NTFS** from the **File system** drop-down list as it may cause a malfunction.



The formatting process will be completed more quickly if you select **Quick Format** in **Format options**.

- 5 Click **Start**.
- 6 At the confirmation prompt, click **OK**.  
The formatting process starts.

!

It may take time to format the Memory Stick media depending on the media.

- 7 Once completed, click **OK**.
- 8 Click **Close**.

## Removing a Memory Stick Media

To remove a Memory Stick media

- 1 Check that the Media Access indicator light is off.
- 2 Push the Memory Stick media in toward the computer.  
The Memory Stick media ejects.
- 3 Pull the Memory Stick media out of the slot.

**!**  
Always remove the Memory Stick media gently, or it may pop out unexpectedly.

Do not remove the Memory Stick media while the Media Access indicator light is on. If you do, you may lose data. Large volumes of data may take time to load, so be sure the indicator is off before removing the Memory Stick media.

## Using Other Memory Cards

In addition to the Memory Stick slot and ExpressCard slot, your computer is equipped with an **SD** memory card slot. You can use this slot to transfer data among digital cameras, camcorders, music players, and other audio/video devices.

### Before You Use Memory Cards

The **SD** memory card slot on your computer supports the following memory cards:

- SD memory card
- SDHC memory card
- MultiMediaCard (MMC)

For the latest information on compatible memory cards, see **Sony Support Information (page 166)** to visit the appropriate support Web site.



Your computer has been tested and found compatible only with major memory card media available as of May 2007. However, not all memory card media that meet the same conditions as the compatible media are guaranteed of compatibility.

Always insert the correct memory card into the **SD** memory card slot.

SD memory cards with capacity of up to 2 GB and SDHC memory cards with capacity of up to 8 GB have been tested and found compatible with your computer.

The **SD** memory card slot on your computer does not support the copyright protection and high-speed data transfer features of the SD memory card and SDHC memory card.

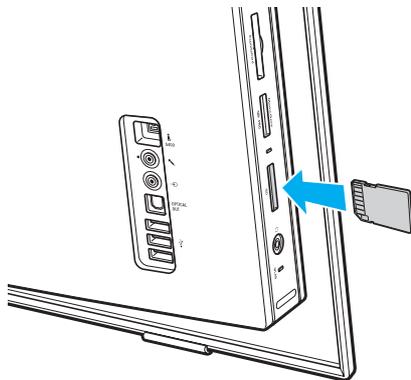
Do not attempt to insert a memory card or memory card adapter of a different type into the **SD** memory card slot. An incompatible memory card or memory card adapter may cause difficulty in removing from the slot and can cause damage to your computer.

Use care when inserting or removing a memory card from the **SD** memory card slot. Do not force the memory card in or out of the slot.

## Inserting a Memory Card

To insert a memory card

- 1 Locate the **SD** memory card slot ([page 17](#)).
- 2 Hold the memory card with the arrow pointing toward the memory card slot.



- 3 Carefully slide the memory card into the slot until it clicks into place.  
Do not force the card into the slot.



If the memory card does not go into the slot easily, remove it gently and verify you are inserting it in the proper direction.

## Removing a Memory Card

! Do not remove a memory card while the Media Access indicator light is on. If you do, the card or its data may become damaged.

To remove a memory card

- 1 Check that the Media Access indicator light is off.
- 2 Firmly grasp the extended part of the memory card.
- 3 Carefully pull it out of the slot.

# Using the Internet

## Setting Up a Dial-up Internet Connection

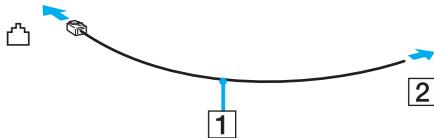
Before you can connect to the Internet, you need to connect your computer to a telephone line with a telephone cable (not supplied). Once you have set up your telephone cable connection, you are ready to connect to the Internet.

To connect a telephone cable



You need to remove the back panel cover from the computer to access the modem port. See **Removing and Replacing the Back Panel Cover** (page 19) for the procedure.

- 1 Plug one end of the phone cable (1) into the modem port  on the computer.
- 2 Plug the other end into the wall jack (2).



Your computer does not work with party lines, cannot be connected to a coin-operated telephone, and may not work with multiple telephone lines or a private branch exchange (PBX). Some of these connections may result in excess electrical current and could cause a malfunction in the internal modem.

If you connect a telephone cable coming through a splitter, the modem or connected device may not work properly.

To set up a dial-up connection to the Internet

- 1 Click **Start** and **Control Panel**
- 2 Click **Connect to the Internet** under **Network and Internet**.  
The **Connect to the Internet** window appears.
- 3 Click **Dial-up**.
- 4 Follow the on-screen instructions.

## Using Wireless LAN (WLAN)

Using the Sony Wireless LAN (WLAN), all your digital devices with built-in WLAN functionality communicate freely with each other through a network. A WLAN is a network in which a user can connect to a Local Area Network (LAN) through a wireless (radio) connection. So there is no need anymore to pull cables or wires through walls and ceilings.

You can communicate without an access point, which means that you can communicate with a limited number of computers (ad-hoc). Or you can communicate through an access point, which allows you to create a full infrastructure network.



In some countries, using WLAN products may be restricted by the local regulations (e.g. limited number of channels). Therefore, before activating the WLAN functionality, read the **Regulations Guide** carefully.

WLAN uses the IEEE 802.11a\*/b/g standard or the draft form of the IEEE 802.11n\* standard, which specifies the used technology. The standard includes the encryption methods: Wired Equivalent Privacy (WEP), which is a security protocol, Wi-Fi Protected Access 2 (WPA2), and Wi-Fi Protected Access (WPA). Proposed jointly by the IEEE and Wi-Fi Alliance, both WPA2 and WPA are specifications of standards based, interoperable security enhancements that increase the level of data protection and access control for existing Wi-Fi networks. WPA has been designed to be forward compatible with the IEEE 802.11i specification. It utilizes the enhanced data encryption TKIP (Temporal Key Integrity Protocol) in addition to user authentication using 802.1X and EAP (Extensible Authentication Protocol). Data encryption protects the vulnerable wireless link between clients and access points. Besides that, there are other typical LAN security mechanisms to ensure privacy, such as: password protection, end-to-end encryption, virtual private networks, and authentication. WPA2, the second generation of WPA, provides stronger data protection and network access control and is also designed to secure all versions of 802.11 devices, including 802.11b, 802.11a, 802.11g, and 802.11n, multi-band and multi-mode. In addition, based on the ratified IEEE 802.11i standard, WPA2 provides government grade security by implementing the National Institute of Standards and Technology (NIST) FIPS 140-2 compliant AES encryption algorithm and 802.1X-based authentication. WPA2 is backward compatible with WPA.

\* See the online **Specifications** to see whether your model supports the IEEE 802.11a standard and/or the draft form of the IEEE 802.11n standard.

IEEE 802.11b/g is a wireless LAN standard, using the 2.4 GHz bandwidth. The IEEE 802.11g standard provides high-speed communications, faster than the IEEE 802.11b standard.

IEEE 802.11a is a wireless LAN standard, using the 5 GHz bandwidth, and provides high-speed communications of up to 54 Mbps.

IEEE 802.11n is a wireless LAN standard, using the 2.4 or 5 GHz bandwidth, and provides high-speed communications of up to 300 Mbps\*.

\* Actual communication speed varies depending on your access point settings and so on.

Your computer may employ the Intel® Next-Gen Wireless-N technology\* compliant with the IEEE 802.11a/b/g standard and the draft form of the IEEE 802.11n standard.

\* Employed only on models that support the draft form of the IEEE 802.11n standard.

Wireless LAN devices using the 2.4 GHz bandwidth and the ones using the 5 GHz bandwidth cannot communicate with each other because the frequencies are different.

The 2.4 GHz bandwidth used by wireless LAN compatible devices is also used by other various devices. Although technologies to minimize interference from other devices that use the same bandwidth are employed on wireless LAN compatible devices, such interference may cause lower communication speed, narrower communication range, or broken wireless connections.

The communication speed varies depending on the distance between communication devices, existence of obstacles between such devices, the device configuration, the radio conditions, and the software in use. In addition, communications may be cut off depending on the radio conditions.

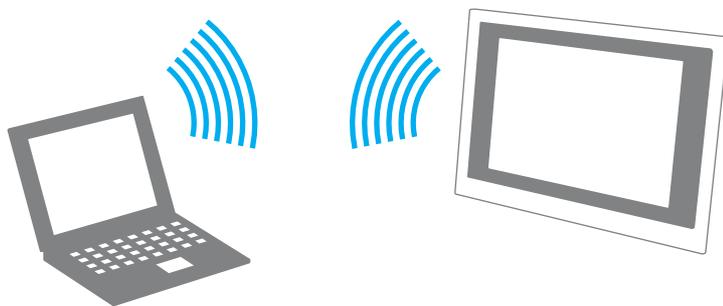
The communication range varies depending on the actual distance between communication devices, existence of obstacles between such devices, the radio conditions, the ambient environment that includes existence of walls and materials of such walls, and the software in use.

Deploying IEEE 802.11b and IEEE 802.11g products on the same wireless network may reduce the communication speed due to radio interference. Taking this into consideration, the IEEE 802.11g products are designed to reduce the communication speed to ensure communications with IEEE 802.11b products. When the communication speed is not as fast as expected, changing the wireless channel on the access point may increase the communication speed.

## Communicating without an Access Point (Ad-hoc)

An ad-hoc network is a network in which a LAN is created only by the wireless devices themselves, with no other central controller or access point. Each device communicates directly with other devices in the network. You can set up an ad-hoc network easily at home.

- If the wireless connection is initiated by the VAIO computer, channel 11 will be selected.
- If the wireless connection is initiated by peer wireless LAN equipment, the wireless LAN communication will make use of the channel selected by the peer wireless LAN equipment.



## To communicate without an access point (ad-hoc)



The IEEE 802.11n standard, using the 2.4 or 5 GHz bandwidth, is not available on ad-hoc networks.



You need to remove the back panel cover from the computer to access the **WLAN** switch. See **Removing and Replacing the Back Panel Cover (page 19)** for the procedure.

- 1 Turn on the **WLAN** switch.  
The Wireless LAN indicator lights up.
- 2 Click **Start, All Programs**, and **VAIO Control Center**.
- 3 Double-click **Network Connections** and **VAIO Smart Network**.



For information on the **VAIO Smart Network** software, see the help file on the software.

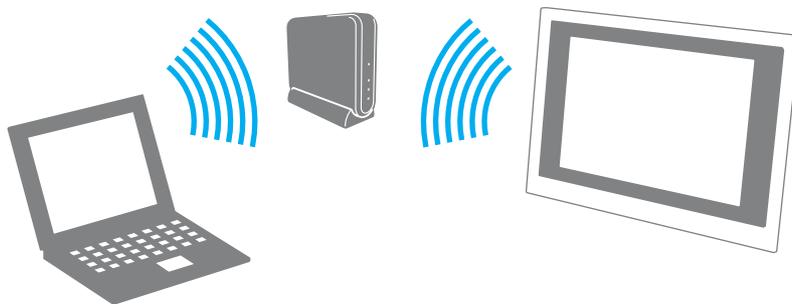
- 4 Click the button next to your desired wireless option(s).
- 5 Click **Start** and **Control Panel**.
- 6 Click **View network status and tasks** under **Network and Internet**.
- 7 Click **Set up a connection or network** on the left pane.  
The **Set up a connection or network** window appears.
- 8 Select an option to specify the ad-hoc network settings and click **Next**.
- 9 Follow the on-screen instructions.

## Communicating with an Access Point (Infrastructure)

An infrastructure network is a network that extends an existing wired local network to wireless devices by providing an access point (not supplied), for example the Sony Access Point. The access point bridges the wireless and wired LAN and acts as a central controller for the wireless LAN. The access point coordinates transmission and reception from multiple wireless devices within a specific range.

The access point will select which channel to use on an infrastructure network.

! For details on how to select the channel that will be used by the access point, see the manual that came with your access point.



## To connect to a wireless network



You need to remove the back panel cover from the computer to access the **WLAN** switch. See **Removing and Replacing the Back Panel Cover** ([page 19](#)) for the procedure.

- 1 Make sure an access point is set up.  
See the manual that came with your access point for more information.
- 2 Turn on the **WLAN** switch.  
The Wireless LAN indicator lights up.
- 3 Click **Start, All Programs**, and **VAIO Control Center**.
- 4 Double-click **Network Connections** and **VAIO Smart Network**.



For information on the **VAIO Smart Network** software, see the help file on the software.

- 5 Click the button next to your desired wireless option(s).
- 6 Right-click  or  on the taskbar and select **Connect to a network**.
- 7 Select the desired access point and click **Connect**.

## Stopping Wireless LAN Communication

To stop wireless LAN communication

- 1 Click **Start**, **All Programs**, and **VAIO Control Center**.
- 2 Double-click **Network Connections** and **VAIO Smart Network**.
- 3 Click the button next to the **WLAN** icon.

! Turning off the wireless LAN functionality while accessing remote documents, files, or resources may result in data loss.



Alternatively, you can slide the **WLAN** switch to the **OFF** position to stop wireless LAN communication.

For WPA-PSK or WPA2-PSK authentication, you must enter a passphrase. The passphrase is case sensitive and must be between 8 and 63 alphanumeric characters long or up to 64 characters long using numbers from 0 to 9 and letters from A to F.

# Using Peripheral Devices

You can add functionality to your VAIO computer by using the various ports on the computer.

- ❑ **Connecting a Universal Serial Bus (USB) Device** ([page 89](#))
- ❑ **Connecting a Printer** ([page 91](#))
- ❑ **Connecting an i.LINK Device** ([page 92](#))
- ❑ **Connecting to a Network (LAN)** ([page 94](#))

## Connecting a Universal Serial Bus (USB) Device

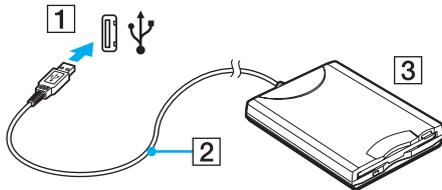
To prevent your computer and/or USB devices from damage, avoid any shock or force to the USB ports when moving the computer with USB devices connected.

### Connecting a USB Floppy Disk Drive

You can purchase a USB floppy disk drive and connect it to your computer.

To connect a USB floppy disk drive

- 1 Choose the USB port (1)  you prefer to use.
- 2 Plug the USB floppy disk drive cable (2) into the USB port.  
Your USB floppy disk drive (3) is now ready for use.



**!** When using a USB floppy disk drive, do not apply force on the USB port. This may cause a malfunction.

## Disconnecting a USB floppy disk drive

You can disconnect a USB floppy disk drive when your computer is on or off. Disconnecting the drive when the computer is in Sleep mode may cause the computer to malfunction.

### To disconnect a USB floppy disk drive



To disconnect a USB floppy disk drive when your computer is off, skip steps 1 to 8.

- 1 Close all programs accessing the floppy disk drive.
- 2 Double-click the **Safely Remove Hardware** icon on the taskbar.  
The **Safely Remove Hardware** window appears.
- 3 Select the floppy disk drive you want to unplug.
- 4 Click **Stop**.  
The **Stop a Hardware device** window appears.
- 5 Confirm that the floppy disk drive can be safely removed from the system.
- 6 Click **OK**.  
A message appears stating it is now safe to remove the hardware device.
- 7 Click **OK**.
- 8 Click **Close** to close the **Safely Remove Hardware** window.
- 9 Disconnect the floppy disk drive from the computer.

## Connecting a Printer

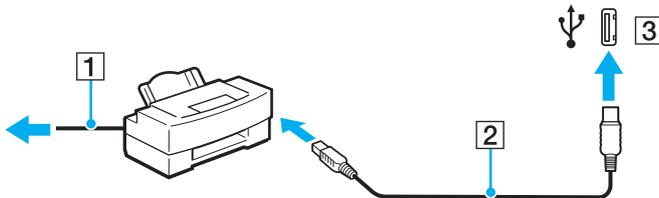
You can connect a Windows-compatible printer to your computer to print documents.

### Connecting a Printer Using the USB Port

You can connect a USB printer compatible with your version of Windows to the computer.

To connect a printer using the USB port

- 1 Plug the power cord (1) of your printer into an AC outlet.
- 2 Choose the USB port (3)  you prefer to use.
- 3 Plug one end of a USB printer cable (2) (not supplied) into the USB port and the other end to your printer.



## Connecting an i.LINK Device

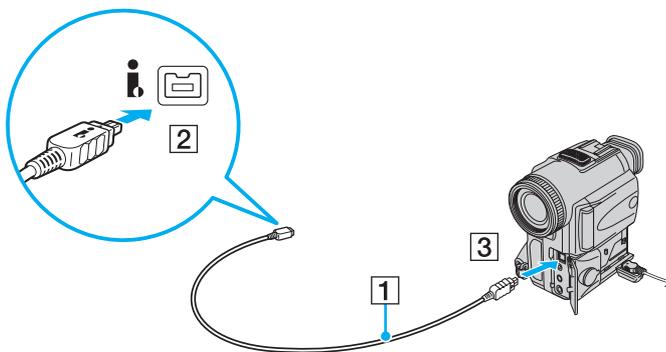
### Notes on connecting i.LINK devices

- ❑ Your computer is equipped with an i.LINK port, which you can use to connect to an i.LINK device such as a digital video camcorder.
- ❑ The i.LINK port on your computer does not supply power to external devices generally powered by i.LINK ports.
- ❑ The i.LINK port supports transfer rates up to 400 Mbps; however, the actual transfer rate depends on the transfer rate of the external device.
- ❑ The optional i.LINK cables may not be available in some countries or areas.
- ❑ An i.LINK connection with other compatible devices is not fully guaranteed.
- ❑ The i.LINK connection varies depending on the software applications, operating system, and i.LINK-compatible devices you use. See the manual that came with your software for more information.
- ❑ Check the working conditions and operating system compatibility of i.LINK-compatible PC peripherals (for example, an HDD or a CD-RW drive) before you connect them to your computer.

## Connecting a Digital Video Camcorder

To connect a digital video camcorder

Plug one end of an i.LINK cable (1) (not supplied) into the i.LINK port (2) on the computer and the other end into the DV In/Out port (3) on the digital video camcorder.



On Sony digital video cameras, ports labeled **DV Out**, **DV In/Out**, or **i.LINK** are i.LINK-compatible.

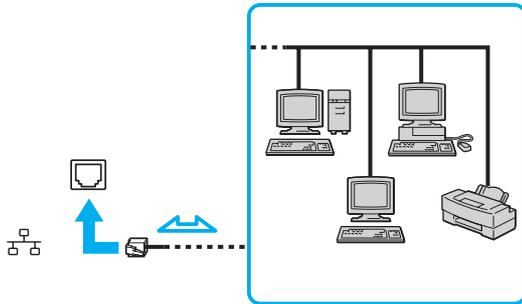
The Sony digital video camcorder shown here is an example; your digital video camcorder may need to be connected differently.

You cannot access the pictures stored on a Memory Stick media when using an i.LINK connection.

## Connecting to a Network (LAN)

You can connect your computer to 100BASE-TX/10BASE-T-type networks with an Ethernet network cable. Connect one end of a network cable (not supplied) to the network (Ethernet) port on the back of the computer and the other end to your network. For detailed settings and devices needed to connect to the network, ask your network administrator.

 You need to remove the back panel cover from the computer to access the network (Ethernet) port. See **Removing and Replacing the Back Panel Cover (page 19)** for the procedure.



 Your computer can be connected to the network with the default settings.

! Telephone lines cannot be connected to the network (LAN) connector on your computer. If the network (LAN) connector is connected to the telephone lines mentioned below, high electric current to the connector may cause damage, overheating, or fire.

- Home (intercom speakerphone) or business-use telephone lines (multi-line business telephone)
- Public telephone subscriber line
- PBX (private branch exchange)

Do not plug a telephone cable into the network port.

# Customizing Your VAIO Computer

This section briefly describes how to change the main settings of your VAIO computer. Among other things, you will learn how to use and customize the look of your Sony software and utilities, etc.

- ❑ **Setting the Password** ([page 97](#))
- ❑ **Setting Up Your Computer with VAIO Control Center** ([page 100](#))
- ❑ **Using the Power Saving Mode** ([page 101](#))
- ❑ **Configuring Your Modem** ([page 103](#))

## Setting the Password

Use one of the BIOS functions to set the password.

Once you have set the password, you will be prompted to enter the password after the VAIO logo appears to start your computer. The power-on password allows you to protect your computer from unauthorized access.

## Adding the Power-on Password

The power-on password is provided to protect your computer from unauthorized access.

! Once you have set the power-on password, you cannot start your computer without entering the password. Make sure not to forget the password. Write down your password and keep it safe and private from other people.

If you forget the power-on password and need assistance to reset it, a password reset fee will be charged, and your computer may need to be sent in for depot service for password reset.

### To add the power-on password

- 1 Turn on the computer.
- 2 Press the **F2** key when the VAIO logo appears.  
The BIOS setup screen appears. If not, restart the computer and press the **F2** key several times when the VAIO logo appears.
- 3 Press the **←** or **→** key to select **Security** to display the **Security** tab, select **Set Machine Password**, and then press the **Enter** key.
- 4 On the password entry screen, enter the password twice and press the **Enter** key.  
The password can be up to 32 alphanumeric characters (including spaces) long.
- 5 At the confirmation prompt, press the **Enter** key.



The following is to configure your computer to prompt password entry when you turn it on or display the BIOS setup screen.

- 6 Select **Password when Power On** under **Security**.  
Press the space bar to change the setting from **Disabled** to **Enabled**.
- 7 Press the **←** or **→** key to select **Exit**, select **Exit Setup**, and then press the **Enter** key.  
At the confirmation prompt, press the **Enter** key.

## Changing/Removing the Power-on Password

To change or remove the power-on password

- 1 Turn on the computer.
- 2 Press the **F2** key when the VAIO logo appears.  
The BIOS setup screen appears. If not, restart the computer and press the **F2** key several times when the VAIO logo appears.
- 3 Enter the current password and press the **Enter** key.
- 4 Press the **←** or **→** key to select **Security** to display the **Security** tab, select **Set Machine Password**, and then press the **Enter** key.
- 5 On the password entry screen, enter the current password once and a new password twice, and then press the **Enter** key.  
To remove the password, leave the **Enter New Password** and **Confirm New Password** fields blank and press the **Enter** key.  
When confirmation to save the changes is prompted, press the **Enter** key.
- 6 Press the **←** or **→** key to select **Exit**, select **Exit Setup**, and then press the **Enter** key.  
At the confirmation prompt, press the **Enter** key.

## Setting Up Your Computer with VAIO Control Center

The **VAIO Control Center** utility allows you to access system information and to specify preferences for system behavior.

To use VAIO Control Center

- 1 Click **Start, All Programs, and VAIO Control Center**.  
The **VAIO Control Center** window appears.
- 2 Select the desired control item and change the settings.
- 3 Once finished, click **OK**.  
The setting of the desired item has been changed.



For more information about each option, see the help file on **VAIO Control Center**.

Some of the control items will not be visible if you open **VAIO Control Center** as a standard user.

## Changing the default SONY logo lamp activity

The **SONY** logo lamp illuminates when you turn on your computer. You can change this default activity of the lamp to make it stay unlit by following these steps:

- 1 Click **Start, All Programs, and VAIO Control Center**.  
The **VAIO Control Center** window appears.
- 2 Select the desired control item and change the settings.
- 3 Double-click **Display and Logo Lamp Control**.
- 4 Follow the on-screen instructions.

## Using the Power Saving Mode

In addition to the normal operating mode, which allows you to turn off specific devices, your computer has a distinct power saving mode called Sleep mode.

### Using Normal Mode

This is the normal state of the computer when it is in use. The green power indicator light is on in this mode. To save power while not working, you can turn off a specific device such as the LCD screen or the hard disk drive.

## Using Sleep Mode

Sleep mode turns off the LCD screen and places the hard disk drive and the CPU into a low power consumption mode. The orange power light is on during this mode.

! Turn off your computer if you do not intend to use it for a long period of time.

### To activate Sleep mode

Click **Start**, the arrow next to the **Lock** button, and **Sleep**.

 When your computer is in Sleep mode, you cannot insert a disc.

Alternatively, you can press the sleep button on the wireless keyboard or the remote commander to place your computer into Sleep mode.

### To return to Normal mode

- Press the power button on your computer.
- Press the sleep button on the wireless keyboard or the remote commander, or the space bar on the wireless keyboard.

! If you press and hold the power button for more than four seconds, your computer will turn off automatically. You will lose all unsaved data.

If the computer is not used for a certain period of time, it will enter Sleep mode. To modify this, you can change the Sleep mode settings.

### To change the Sleep mode settings

- 1 Click **Start**, **Control Panel**, **Hardware and Sound**, and **Power Options**.
- 2 Click **Change plan settings** under the current power plan.
- 3 Change the time to put the computer to sleep and click **Save Changes**.

## Configuring Your Modem

Before you can start using your internal modem (not all modem are built-in), or each time you use your modem while traveling, make sure that the country of the active location defined in the **Phone and Modem Options** window matches the country you are dialing from.

To change your modem country settings

- 1 Click **Start** and **Control Panel**.
- 2 Click **Hardware and Sound**.
- 3 Click **Phone and Modem Options**.  
The **Location Information** window appears.
- 4 Enter the required information, and then click **OK**.  
The **Phone and Modem Options** window appears.
- 5 Select your location on the **Dialing Rules** tab.
- 6 Click the **Edit** button to change the current configuration.  
The **Edit Location** window appears.  
Or  
Click the **New** button to configure your modem.  
The **New Location** window appears.
- 7 Check the country/region settings, and make sure it matches the place you are dialing from.



Pulse dial may not be supported in some counties or areas.

- 8 If you modified your location settings, click **Apply**, and then **OK**.  
The **Phone and Modem Options** window appears.

- 9 Check that your modem is listed on the **Modems** tab.  
If your modem is not listed, click **Add** and follow the wizard.
- 10 Click **Apply/OK**. Your modem is configured.

! Before applying new country settings, make sure your phone cable is disconnected from your computer.

## Upgrading Your VAIO Computer

Your VAIO computer and memory modules use high precision components and electronic connectors technology. To avoid invalidation of the warranty during your product warranty period, we recommend that:

- You should contact your dealer to install a new memory module.
- You should not install it yourself, if you are not familiar with upgrading memory on a computer.
- You should not touch the connectors or open the memory module compartment cover.

For the type of module and the amount of memory installed on your model, see the online **Specifications**.

Contact VAIO-Link if you need assistance.

- Adding and Removing Memory** ([page 106](#))
- Adding the Hard Disk Drive** ([page 112](#))

## Adding and Removing Memory

If you want to expand the functionality of your computer, you can increase the memory by installing optional memory modules. Before you upgrade your computer's memory, read the notes and procedures in the following pages.

### Notes on adding/removing memory modules

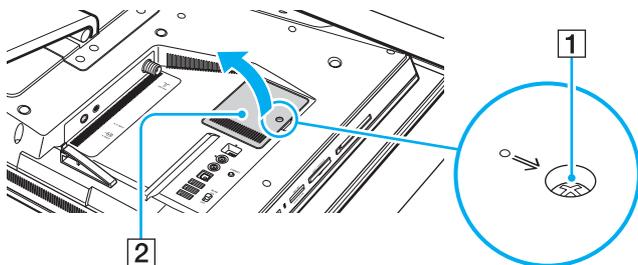
- ❑ Be careful when changing memory. Improper installation of memory modules may cause damage to your system. This damage may void your manufacturer's warranty.
- ❑ Only use memory modules that are compatible with your computer. If a memory module is not detected by the computer or the Windows operating system becomes unstable, contact your sales dealer or the manufacturer of your memory module.
- ❑ Electrostatic discharge (ESD) can damage electronic components. Before touching a memory module, ensure the following:
  - ❑ The procedures described in this document assume user familiarity with the general terminology associated with personal computers and with the safety practice and regulatory compliance requirements for using and modifying electronic equipment.
  - ❑ Turn off your computer and disconnect it from its power source (that is, AC adapter) and from any telecommunication links, networks, or modems before you remove any cover or panel from the computer. Failure to do so may result in personal injury or equipment damage.
  - ❑ ESD can damage memory modules and other components. Install the memory module only at an ESD workstation. If such a station is not available, do not work in a carpeted area, and do not handle materials that produce or hold static electricity (cellophane wrappers, for example). Ground yourself by maintaining contact with an unpainted metal portion of the chassis while performing the procedure.
  - ❑ Do not open the memory module package before you are ready to change the module. The package protects the module from ESD.

- Use the special bag delivered with the memory module or wrap the module in aluminum foil to protect it from ESD.
- Introducing any liquids, foreign substances, or objects into the memory module slots or other internal components of your computer will result in damage to the computer and any repair costs will not be covered by the warranty.
- Do not place the memory module in a location subject to:
  - Heat sources such as radiators or air ducts
  - Direct sunlight
  - Excessive dust
  - Mechanical vibration or shock
  - Strong magnets or speakers that are not magnetically shielded
  - Ambient temperature of more than 35°C or less than 5°C
  - High humidity
- Handle the memory module with care. To avoid injuries to your hands and fingers, do not touch the edges of the components and circuit boards inside your computer.

## Removing and Installing a Memory Module

To change or add a memory module

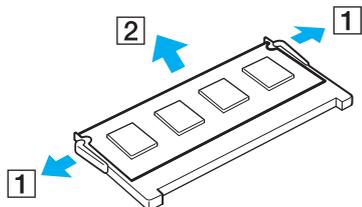
- 1 Shut down the computer, turn off all peripheral devices, and disconnect peripheral devices from the accessible ports and jacks.
- 2 Remove the back panel cover from the computer.  
See **Removing and Replacing the Back Panel Cover** (page 19) for the procedure.
- 3 Disconnect the AC adapter and the rest of the peripheral devices.
- 4 Wait until the computer cools down.
- 5 Unscrew the screw (1) and remove the memory module compartment cover (2).



- 6 Touch a metal object to discharge static electricity.

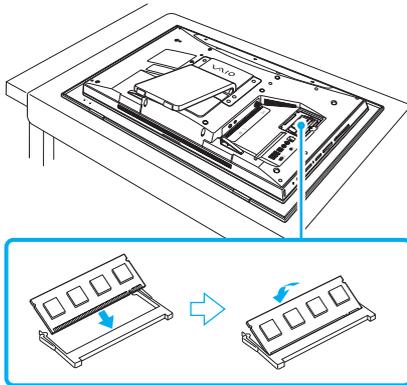
7 Remove the currently installed memory module as follows:

- ❑ Pull the latches in the direction of the arrows (1).  
The memory module is released.
- ❑ Make sure that the memory module tilts up and then pull it out in the direction of the arrow (2).



8 Remove the new memory module from its packaging.

- Slide the memory module into the memory module slot and push it in until it clicks into place.



! Do not touch any other components on the motherboard.

Be sure to insert the connector edge of the memory module into the slot while aligning the notch on the module with the small projection in the open slot.

- Replace the memory module compartment cover and tighten the screw.
- Connect the AC adapter and the peripheral devices that you disconnected in step 3.
- Replace the back panel cover.  
See **Removing and Replacing the Back Panel Cover** ([page 19](#)) for the procedure.
- Plug the computer to the power source and connect the rest of the peripheral devices.
- Turn on all peripheral devices and then the computer.

## Viewing the Amount of Memory

To view the amount of memory

- 1 Turn on the computer.
- 2 Click **Start**, **All Programs**, and **VAIO Control Center**.
- 3 Double-click the **System Information** folder in the **VAIO Control Center** window.
- 4 Double-click the **System Information** icon in the **System Information** folder.  
You can view the amount of system memory. If the additional memory does not appear, repeat the whole installation procedure and restart the computer.

## Adding the Hard Disk Drive

If your computer is a VGC-LT series model, it is equipped with an open internal bay to hold an additional 3.5-inch hard disk drive.

Review the manufacturer's information provided with your new hard disk drive before attempting to install it in the computer.

! Some hard disks are not compatible with your computer. Contact the manufacturer of your hard disk for compatibility with VAIO computers.

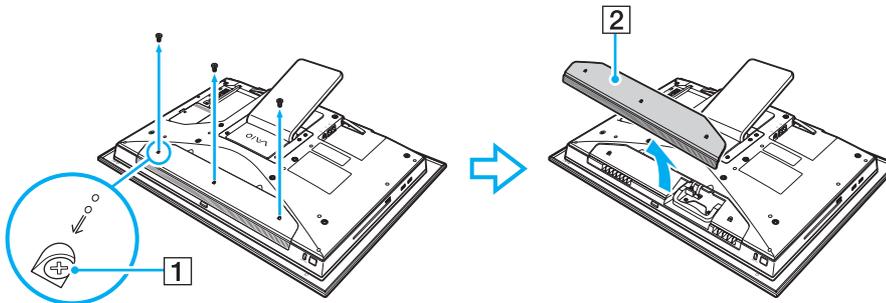
Make sure you unplug your computer and peripheral devices from the power sources before installing or removing a hard disk. Installing or removing a hard disk while your computer is plugged to its power source may cause damage to the computer and the peripheral devices as well as the hard disk.

If you need assistance to install a hard disk, contact VAIO-Link.

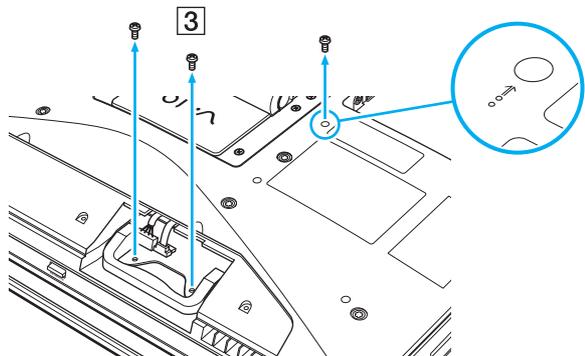
## Installing an Additional Hard Disk Drive

To install an additional hard disk drive

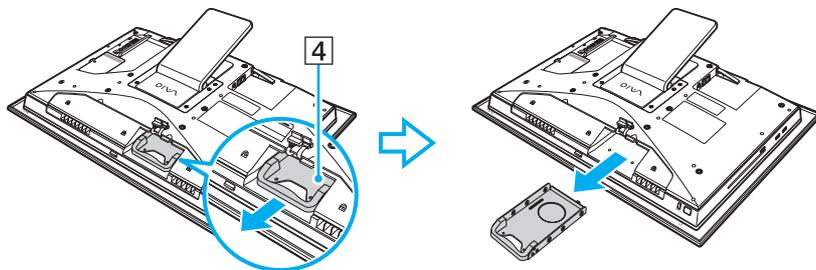
- 1 Shut down the computer, turn off all peripheral devices, and disconnect peripheral devices from the accessible ports and jacks.
- 2 Remove the back panel cover from the computer.  
See **Removing and Replacing the Back Panel Cover** (page 19) for the procedure.
- 3 Disconnect the AC adapter and the rest of the peripheral devices.
- 4 Wait until the computer cools down.
- 5 Unscrew the three screws (1) and remove the hard disk bay cover (2).



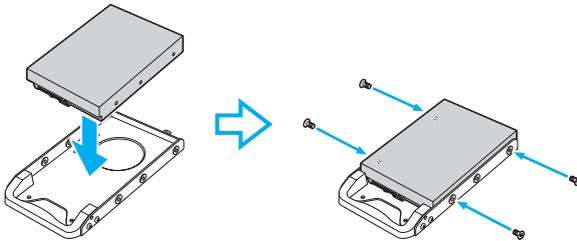
- 6 Unscrew the three screws (3) securing the drive holder.



- 7 Pull out the drive holder (4) from the hard disk drive bay and set it aside.

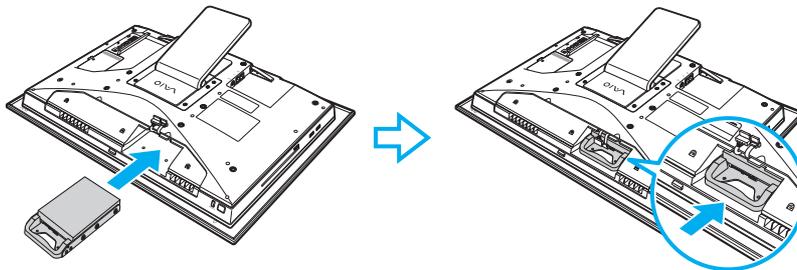


- 8 Place a new drive into the drive holder and align the holes on each side of the drive bay.
- 9 Secure the drive to the drive holder with screws, through the holes on each side of the drive holder.



! A new hard disk drive comes with the necessary screws. Do not overtighten these screws when securing the drive to the drive holder.

- 10 Slide the drive holder into the hard disk bay until it clicks into place and secure it with the screws.



- 11 Replace the hard disk bay cover and tighten the screws.
- 12 Connect the AC adapter and the peripheral devices that you disconnected in step 3.
- 13 Replace the back panel cover.  
See **Removing and Replacing the Back Panel Cover** ([page 19](#)) for the procedure.
- 14 Plug the computer to the power source and connect the rest of the peripheral devices.
- 15 Turn on all peripheral devices and then the computer.

## Identifying the Additional Hard Disk Space

When you initialize the new hard disk, it must be configured as an extended partition in Windows NT file system (NTFS) format.

To identify the additional hard disk space

- 1 Log on to Windows as a user with administrator rights.
- 2 Click **Start**, right-click **Computer**, and select **Manage**.  
The **Computer Management** window appears.
- 3 Under the file directory on the right, click **Disk Management** under **Storage**.
- 4 Right-click on the newly installed, unformatted hard disk (disk label identified with red marking) and select **Initialize Disk**.
- 5 Click on the allocated area of the disk.
- 6 Right-click the area and select **New Partition**.  
The **New Partition** wizard window appears.
- 7 Follow the on-screen instructions to complete the process.

The Windows Vista operating system recognizes the new hard disk drive and applies the NTFS format.

## Precautions

This section describes safety guidelines and precautions to help you protect your VAIO computer from potential damage.

- ❑ **On Handling the LCD Screen** ([page 119](#))
- ❑ **On Using the Power Source** ([page 120](#))
- ❑ **On Handling Your Computer** ([page 121](#))
- ❑ **On Using the Built-in MOTION EYE Camera** ([page 123](#))
- ❑ **On Handling Floppy Disks** ([page 124](#))
- ❑ **On Handling Discs** ([page 125](#))
- ❑ **On Using Headphones** ([page 127](#))
- ❑ **On Handling Memory Stick Media** ([page 128](#))
- ❑ **On Handling the Hard Disk** ([page 129](#))
- ❑ **On Updating Your Computer** ([page 130](#))

## On Handling the LCD Screen

- ❑ Do not leave the LCD screen facing the sun. This could damage the LCD screen. Be careful when using your computer near a window.
- ❑ Do not scratch the surface of the LCD screen or exert pressure on it. This could cause a malfunction.
- ❑ Using your computer in low temperature conditions may produce a residual image on the LCD screen. This is not a malfunction. When the computer returns to normal temperature, the screen returns to normal.
- ❑ A residual image may appear on the LCD screen if the same image is displayed for a long period of time. The residual image disappears in a while. You can use a screen saver to prevent residual images.
- ❑ The LCD screen becomes warm during operation. This is normal and does not indicate a malfunction.
- ❑ The LCD screen is manufactured using high-precision technology. You may, however, see tiny black points and/or bright points (red, blue, or green) that continuously appear on the LCD screen. This is a normal result of the manufacturing process and does not indicate a malfunction.
- ❑ Avoid rubbing the LCD screen. This could damage the screen. Use a soft, dry cloth to wipe the surface of the LCD screen.
- ❑ Do not change the LCD screen orientation setting in the **Tablet PC Settings** window even when there are change options available for selection, as it may make your computer unstable. Sony assumes no liabilities for any defects arising out of making the change.

## On Using the Power Source

- ❑ See the online **Specifications** to check the power operation of your model.
- ❑ Do not share the AC outlet with other power-consuming equipment, such as a photocopier or a shredder.
- ❑ You can purchase a power strip with a surge protector. This device helps prevent damage to your computer caused by sudden power surges, in an electrical storm, for example.
- ❑ Do not place heavy objects on the power cord.
- ❑ To disconnect the cord, pull it out by holding the plug. Never pull the cord itself.
- ❑ Unplug your computer from the AC outlet if you are not planning to use the computer for a long period of time.
- ❑ Make sure that the AC outlet is easily accessible.
- ❑ Use the AC adapter supplied with your computer or genuine Sony products. Do not use any other AC adapter as it may cause a malfunction.

## On Handling Your Computer

- ❑ Clean the cabinet with a soft cloth, which is dry or lightly moistened with a mild detergent solution. Do not use any type of abrasive pad, scouring powder, or solvent such as alcohol or benzene, as these may damage the finish of your computer.
- ❑ If you drop a solid object or any liquid onto your computer, shut down the computer and then unplug it. You may want to have the computer checked by qualified personnel before operating it again.
- ❑ Do not drop your computer.
- ❑ Do not place your computer in a location subject to:
  - ❑ Heat sources, such as radiators or air ducts
  - ❑ Direct sunlight
  - ❑ Excessive dust
  - ❑ Moisture or rain
  - ❑ Mechanical vibration or shock
  - ❑ Strong magnets or speakers that are not magnetically shielded
  - ❑ Ambient temperature of more than 35°C or less than 5°C
  - ❑ High humidity
- ❑ Do not place electronic equipment near your computer. The electromagnetic field of the computer may cause a malfunction.
- ❑ Provide adequate air circulation to prevent internal overheating. Do not place your computer on porous surfaces such as rugs or blankets, or near material such as curtains or draperies that may block its air vents.
- ❑ Your computer uses high-frequency radio signals and may cause interference to radio or TV reception. If this occurs, relocate the computer a suitable distance away from the set.

- ❑ Use only specified peripheral equipment and interface cables; otherwise, problems may occur.
- ❑ Do not use cut or damaged connection cables.
- ❑ If your computer is brought directly from a cold location to a warm one, moisture may condense inside the computer. In this case, allow at least one hour before turning on the computer. If any problems occur, unplug the computer and contact VAIO-Link.
- ❑ Make sure you disconnect the power cord before cleaning your computer.
- ❑ To avoid losing data if your computer is damaged, back up your data regularly.
- ❑ Do not grasp the prop-up stand to lift your computer as it may damage the stand.
- ❑ To lift or move your computer, grasp the bottom corners of the main unit, not of the LCD screen, with both hands from behind the computer to avoid any damage to the LCD screen. There is a risk of scratching the LCD screen, for example with your waist belt buckle, if you hold your computer from its front.

## On Using the Built-in MOTION EYE Camera

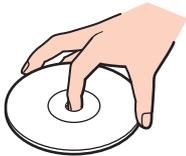
- ❑ Do not touch the lens protection cover of the built-in **MOTION EYE** camera, as it may cause scratches on the cover and such scratches will appear on the captured images.
- ❑ Do not let the direct sunlight get into the scope of the built-in **MOTION EYE** camera regardless of your computer's power state, as it may cause a malfunction of the camera.
- ❑ The built-in **MOTION EYE** camera is disabled while videos or still images are imported from an i.LINK-compatible device connected to the i.LINK port.
- ❑ Clean the lens protection cover of the built-in **MOTION EYE** camera with a blower brush or a soft brush. If the cover is extremely dirty, wipe it off with a soft dry cloth. Do not rub the cover, as it is force-sensitive.

## On Handling Floppy Disks

- ❑ Do not open the shutter manually or touch the surface of the floppy disk.
- ❑ Keep floppy disks away from magnets.
- ❑ Keep floppy disks away from direct sunlight and other sources of heat.
- ❑ Keep floppy disks away from any liquid. Do not let them get wet. When you are not using your floppy disk, always remove it from the floppy disk drive and use a storage case.
- ❑ If the floppy disk comes with an adhesive label, make sure that the label is properly affixed. If the edge of the label is curled up, the label may stick to the inside of the floppy disk drive and cause a malfunction or damage your floppy disk.

## On Handling Discs

- ❑ Do not touch the surface of the disc.
- ❑ Do not drop or bend the disc.
- ❑ Fingerprints and dust on the surface of a disc may cause read errors. Always hold the disc by its edges and central hole, as shown below:



- ❑ Proper care of the disc is essential to its continuous reliability. Do not use solvents (such as benzine, thinner, alcohol, commercially available cleaners, or anti-static spray) which may cause damage to the disc.
- ❑ For normal cleaning, hold the disc by its edge and use a soft cloth to wipe the surface from the center out.
- ❑ If the disc is badly soiled, moisten a soft cloth with water, wring it out well, and use it to wipe the surface of the disc from the center out. Wipe off any remaining moisture with a dry soft cloth.
- ❑ Never affix an adhesive label to a disc. This will affect the use of the disc irreparably.

- ❑ An 8cm disc adapter exclusively designed for your model is provided for use of 8cm discs on your computer.



- ❑ Be sure to attach the adapter to an 8cm disc before using it on your computer. Not using the supplied adapter or using a similar kind of the adapter with the disc may cause a disc recognition error or result in a stuck disc, a damaged disc, or a malfunction of your computer.
- ❑ Remove the adapter from an 8cm disc when not using the disc. Keeping the adapter attached may deform the disc.
- ❑ Do not leave the adapter in a place subject to high temperatures to avoid deformation. Use of the deformed adapter with an 8cm disc may cause a disc recognition error or result in a stuck disc, a damaged disc, or a malfunction of your computer.
- ❑ Not all types of the 8cm disc can fit into the adapter.

## On Using Headphones

**Preventing hearing damage** – Avoid using headphones at high volume. Hearing experts advise against continuous, loud and extended play. If you experience a ringing in your ears, reduce the volume or discontinue use.

## On Handling Memory Stick Media

- Do not touch the Memory Stick media connector with your finger or metallic objects.
- Use only the adhesive label supplied with the Memory Stick media as a label.
- Do not bend, drop, or apply strong shock to the Memory Stick media.
- Do not disassemble or modify Memory Stick media.
- Do not let Memory Stick media get wet.
- Do not use or store Memory Stick media in a location subject to:
  - Static electricity
  - Electrical noise
  - Extremely high temperatures, such as in a car parked in the sun
  - Direct sunlight
  - High humidity
  - Corrosive substances
- Use the storage case supplied with the Memory Stick media.
- Be sure to make a backup copy of your valuable data.
- Keep the Memory Stick media and Memory Stick Adaptors out of reach of children. There is a risk of swallowing them.
- When using the Memory Stick Duo media, do not use a fine-tipped pen to write on the label adhered to the Memory Stick Duo media. Exerting pressure on the media may damage internal components.

## On Handling the Hard Disk

The hard disk drive has a high storage density and reads or writes data in a short time. However, it can be easily damaged by mechanical vibration, shock, or dust.

Although the hard disk drive has the internal safety device to prevent losing data due to mechanical vibration, shock or dust, you should be careful when handling your computer.

### To avoid damaging your hard disk drive

- Do not subject your computer to sudden movements.
- Keep your computer away from magnets.
- Do not place your computer in a location subject to mechanical vibration or in an unstable position.
- Do not move your computer while the power is on.
- Do not turn off the power or restart your computer while reading or writing data to the hard disk drive.
- Do not use your computer in a place subject to extreme changes in temperature.



If the hard disk drive is damaged, the data cannot be restored.

## On Updating Your Computer

Confirm that the latest updates have been installed on your computer using the following software applications so that the computer can run more efficiently.

To confirm that they have been installed on the computer, follow these steps for each software application:

- ❑ **Windows Update**

Click **Start, All Programs, and Windows Update** and then follow the on-screen instructions.

- ❑ **VAIO Update 3**

Click **Start, All Programs, VAIO Update 3, and VAIO Update Options** and then follow the on-screen instructions.

If you have not yet installed the latest updates, install them with the above software. To download and install the updates on the computer, the computer must be connected to the Internet. For information on how to connect the computer to the Internet, see **Using the Internet** ([page 79](#)).

# Troubleshooting

This section describes how to solve common problems you might encounter when using your VAIO computer. Many problems have simple solutions. Try these suggestions before contacting VAIO-Link.

- ❑ **Computer** ([page 132](#))
- ❑ **System Security** ([page 137](#))
- ❑ **Built-in MOTION EYE Camera** ([page 138](#))
- ❑ **Internet** ([page 141](#))
- ❑ **Networking** ([page 143](#))
- ❑ **Optical Discs** ([page 146](#))
- ❑ **Display** ([page 150](#))
- ❑ **Printing** ([page 152](#))
- ❑ **Microphone** ([page 153](#))
- ❑ **Mouse** ([page 155](#))
- ❑ **Speakers** ([page 156](#))
- ❑ **Keyboard** ([page 157](#))
- ❑ **Floppy Disks** ([page 158](#))
- ❑ **PC Cards** ([page 159](#))
- ❑ **Audio/Video** ([page 161](#))
- ❑ **Memory Stick Media** ([page 164](#))
- ❑ **Peripherals** ([page 165](#))

## Computer

### What should I do if my computer does not start?

- ❑ Make sure your computer is securely plugged into a power source and turned on. Make sure the power indicator shows the power is on.
- ❑ Make sure the floppy disk drive (if applicable) is empty.
- ❑ Make sure the brightness and contrast controls are adjusted correctly.
- ❑ Disconnect the AC adapter. Wait three to five minutes. Reattach the AC adapter and press the power button to turn on your computer.
- ❑ Condensation may cause your computer to malfunction. If this occurs, do not use the computer for at least one hour.
- ❑ Remove any extra memory modules you may have installed since purchase.
- ❑ Check that you are using the supplied Sony AC adapter. For your safety, use only the genuine Sony AC adapter, which is supplied by Sony for your VAIO computer.
- ❑ Make sure your computer is not in Sleep mode by pressing the power button on the computer or the sleep button on the wireless keyboard or the remote commander. If you press and hold the power button for more than four seconds, your computer will turn off automatically.

## What should I do if a BIOS error appears when I turn on my computer?

If the message "Press <F1> to resume, <F2> to setup" appears at the bottom of the screen, follow these steps:

- 1 Press the **F2** key.  
The BIOS setup screen appears. If not, restart the computer and press the **F2** key several times when the VAIO logo appears.
- 2 Set the date (month/day/year). Press the **Enter** key.
- 3 Press the **↓** key to select **System Time**, and then set the time (hour: minute: second). Press the **Enter** key.
- 4 Press the **→** key to select the **Exit** tab, and then press the **F9** key.  
At the confirmation prompt, press the **Enter** key.
- 5 Select **Exit Setup**, and press the **Enter** key.  
At the confirmation prompt, press the **Enter** key.  
Your computer restarts.

If this occurs frequently, contact VAIO-Link.

## What should I do if the power indicator (Green) lights but my screen stays blank?

- If the orange **DISPLAY OFF** indicator is on, press the **DISPLAY OFF** button.
- Otherwise, follow these steps:
  - 1 Press and hold the power button for more than four seconds to check that the power indicator goes out. Then turn on your computer again.
  - 2 If your computer screen still stays blank, unplug the AC adapter and leave the computer for about five minutes. Then plug in the AC adapter and turn on the computer again.

## What should I do if my computer or software stops responding?

- ❑ If your computer stops responding while a software application is running, press the **Alt+F4** keys to close the application window.
- ❑ If the **Alt+F4** keys do not work, click **Start**, the arrow next to the **Lock** button, and **Shut Down** to turn off your computer.
- ❑ If your computer does not turn off, press the **Ctrl+Alt+Delete** keys and click the arrow  next to the **Shut down** button and **Shut Down**.  
If the **Windows Security** window appears, click **Shut Down**.

**!**  
Turning off your computer with the **Ctrl+Alt+Delete** keys or the power button may cause loss of unsaved data.

- ❑ If your computer still does not turn off, press and hold the power button until the computer turns off.
- ❑ Remove the AC adapter.
- ❑ Try reinstalling the software.
- ❑ Contact the software publisher or designated provider for technical support.

## Why doesn't my computer enter Sleep mode?

Your computer may become unstable if the operating mode is changed before the computer completely enters Sleep mode.

To restore your computer to normal operating stability

- 1 Close all open programs.
- 2 Click **Start**, the arrow next to the **Lock** button, and **Restart**.
- 3 If your computer does not restart, press the **Ctrl+Alt+Delete** keys and click the arrow next to the **Shut down** button and **Restart**.
- 4 If this procedure does not work, press and hold the power button until the computer turns off.

! Turning off your computer with the power button may cause loss of unsaved data.

## What should I do if Windows does not start, showing a message, when I start my computer?

If you enter a wrong power-on password three times consecutively, the **Enter Onetime Password** message appears and Windows will not start. Press and hold the power button for more than four seconds to check that the power indicator goes off. Wait for 10 or 15 seconds, then restart your computer and enter the correct password. When entering the password, check that the Num lock indicator and Caps lock indicator on the wireless keyboard are off. If any are lit, press the **Num Lk** key or the **Caps Lock** key to turn off the indicator before entering the password.

## What should I do if my game software does not work or it keeps crashing?

- Check the Web site of the game if there are any patches or updates to download.
- Make sure you have installed the latest video driver.
- On some VAIO models, the graphics memory is shared with the system. The optimal graphic performance in this case is not guaranteed.

## What should I do if I cannot remember the BIOS password?

If you have forgotten the BIOS password, contact VAIO-Link to reset it. A reset fee will be charged.

## Why does it take time before my computer starts?

If Norton Internet Security's Personal Firewall is active, it may take some time before the desktop screen appears due to network security checkups.

## Why doesn't my screen turn off when the time selected for the automatic turn-off action has passed?

The **VAIO Original Screen Saver** disables the timer setting, which you can select using the Windows power options, for your screen to turn off.

Select the screen saver other than the **VAIO Original Screen Saver**.

## What should I do if I cannot boot my computer from the USB floppy disk drive connected to the computer?

To boot your computer from the USB floppy disk drive, you need to change the boot device.

Turn on your computer and press the **F11** key when the VAIO logo appears.

## System Security

### How can I protect my computer against security threats, such as viruses?

The Microsoft Windows operating system is preinstalled on your computer. The best way to protect your computer against security threats, such as viruses, is to download and install the latest Windows updates regularly.

You can get important Windows updates by doing the following:



Your computer must be connected to the Internet before you can receive updates.

- 1 Connect to the Internet.
- 2 Double-click the **Windows Security Alerts** icon on the taskbar.
- 3 Follow the on-screen instructions to set up automatic or scheduled updates.

### How do I keep my antivirus software updated?

You can keep the **Norton Internet Security** software program current with the latest updates from Symantec Corporation.

To download and install the latest security update

- 1 Click **Start, All Programs, Norton Internet Security, and Norton Internet Security**.
- 2 Click the item to update the software on the left pane.
- 3 Follow the on-screen instructions to select and download updates.

## Built-in MOTION EYE Camera

### Why does the viewer window show no images or poor-quality images?

- The built-in **MOTION EYE** camera cannot be shared by more than one software application. If another software application is using the camera, exit the application before using the built-in **MOTION EYE** camera.
- The video memory of your computer may have become insufficient for displaying images from the built-in **MOTION EYE** camera. Lowering the resolution or reducing the colors of the LCD screen might help.
- The viewer window may show some noises, for example horizontal streaks, if you view a rapid-moving object. This is normal and does not indicate a malfunction.
- If the problem persists, restart your computer.

### Why are captured images poor in quality?

- The images captured under the fluorescent lamp may show reflection of the light.
- A dark portion in captured images may appear as a noise.
- If the lens protection cover is dirty, you cannot take a clear shot. Clean the cover. See **On Using the Built-in MOTION EYE Camera (page 123)**.

### Why do captured images contain dropped frames and audio interruptions?

- The effect settings on your software application may have caused dropped frames. See the help file on your software application for more information.
- There may be more software applications running than your computer can handle. Exit the applications that you are not currently using.
- The power management function of your computer may have been activated. Check the CPU performance.

## Why do the images captured by the built-in MOTION EYE camera flicker?

This problem occurs when you use the camera under fluorescent lights due to the mismatch between lighting output frequency and shutter speed.

To reduce flicker noise, change the pointing direction of the camera or the brightness of camera images. In some software applications, you can set an appropriate value to one of the camera properties (e.g. **LightSource**, **Flickness**, etc.) to eliminate flicker noise.

## Why is the video input from the built-in MOTION EYE camera suspended for a few seconds?

The video input may be suspended for a few seconds if:

- a shortcut key with the **Fn** key is used.
- the CPU load increases.

This is normal and does not indicate a malfunction.

## Why can't I use the built-in MOTION EYE camera?

- The built-in **MOTION EYE** camera cannot be shared by more than one software application. If another software application is using the camera, exit the application before using the built-in **MOTION EYE** camera.
- If the problem persists, you must reinstall the driver software for the camera. Follow these steps:
  - 1 Click **Start**, **Control Panel**, **Hardware and Sound**, and **Device Manager**.
  - 2 Double-click **Imaging devices**.
  - 3 Right-click the device name for your camera and click **Update Driver Software**.

## What should I do if my computer becomes unstable when it enters a power saving mode while the built-in MOTION EYE camera is in use?

- Do not place your computer into Sleep mode while you are using the built-in **MOTION EYE** camera.
- If your computer automatically enters Sleep mode, change the corresponding power saving mode setting. For changing the setting, see **Using the Power Saving Mode (page 101)**.

## What should I do if I cannot successfully capture videos in the WMV format with the built-in MOTION EYE camera?

Change the record format to the MPEG-1 format. Alternatively, click **Start, All Programs, VAIO Camera Capture Utility**, and **VAIO Camera Capture Utility** to start **VAIO Camera Capture Utility**. Click the **Camera** button to display the **Properties** window and cancel the **Low Light** check box.

## Internet

### What should I do if my modem does not work?

- Make sure the telephone cable is securely plugged into the modem port on your computer and the wall jack.
- Make sure the telephone cable is working. Plug the cable into an ordinary telephone and listen for a dial tone.
- Make sure that the telephone number the program is dialing is correct.
- Make sure the software you are using is compatible with your computer's modem. (All preinstalled Sony programs are compatible.)
- Make sure the modem is the only device connected to your telephone line.
- Follow these steps to check the settings:
  - 1 Click **Start** and **Control Panel**.
  - 2 Click **Hardware and Sound**.
  - 3 Click **Phone and Modem Options**.
  - 4 On the **Modems** tab, check that your modem is listed.
  - 5 On the **Dialing Rules** tab, check the location information is correct.

## Why is my modem connection slow?

Your computer is equipped with a V.92/ V.90 compatible modem. Many factors may influence modem connection speed, including telephone line noise or compatibility with telephone equipment, such as fax machines or other modems. If you think your modem is not connecting properly to other PC-based modems, fax machines, or your Internet Service Provider (ISP), do any of the following:

- Ask your telephone company to verify your telephone line is free of any line noise.
- If your problem is fax-related, make sure there are no problems with the fax machine you are calling and that it is compatible with fax modems.
- If you are having a problem connecting with your ISP, make sure the ISP is not experiencing technical problems.
- If you have a second telephone line, try connecting the modem to that line.

## Networking

### What should I do if my computer cannot connect to a wireless LAN access point?

- Connection availability is affected by distance and obstructions. You may need to move your computer away from obstructions or closer to any access point you may be using.
- Make sure the **WLAN** switch is on and the Wireless LAN indicator is lit on your computer.
- Make sure power to the access point is on.
- Follow these steps to check the settings:
  - 1 Click **Start** and **Control Panel**.
  - 2 Click **View network status and tasks** under **Network and Internet**.
  - 3 Click **Connect to a network** to confirm that your access point is selected.
- Make sure the encryption key is correct.

### What should I do if I cannot access the Internet?

- Check the access point settings. See the manual that came with your access point for more information.
- Make sure your computer and the access point are connected to one another.
- Move your computer away from obstructions or closer to any access point you may be using.
- Make sure your computer is properly configured for Internet access.

## Why is the data transfer speed slow?

- The wireless LAN data transfer speed is affected by distance and obstructions between devices and access points. Other factors include device configurations, radio conditions, and software compatibility. To maximize the data transfer speed, move your computer away from obstructions or closer to any access point you may be using.
- If you are using a wireless LAN access point, the device may be temporarily overloaded depending on how many other devices are communicating via the access point.
- If your access point interferes with other access points, change the access point channel. See the manual that came with your access point for more information.

## How do I avoid data transfer interruptions?

- When your computer is connected to an access point, data transfer interruptions may occur when using large files or if the computer is in close proximity to microwaves and cordless telephones.
- Move your computer closer to the access point.
- Make sure the access point connection is intact.
- Change the access point channel. See the manual that came with your access point for more information.

## What are channels?

- ❑ Wireless LAN communication occurs on divided frequency bands known as channels. Third-party wireless LAN access point channels may be preset to different channels from Sony devices.
- ❑ If you are using a wireless LAN access point, see connectivity information contained in the manual that came with your access point.

## Why does the network connection stop when I change the encryption key?

Two computers with the wireless LAN functionality may lose a peer-to-peer network connection if the encryption key is changed. You can either change the encryption key back to the original profile or re-enter the key on both computers so the key matches.

## Optical Discs

### Why does my computer freeze when I try to read a disc?

The disc that your computer is trying to read may be dirty or damaged. Follow these steps:

- 1 Press the **Ctrl+Alt+Delete** keys and click the arrow next to the **Shut down** button and **Restart** to restart the computer.
- 2 Remove the disc from the optical disc drive.
- 3 Check the disc for dirt or damage. If you need to clean the disc, see **On Handling Discs (page 125)** for instructions.

### What should I do if the disc does not slide out?

- Make sure your computer is on.
- Press the drive eject button on the computer or the **S3** button on the wireless keyboard.
- If either button does not work, click **Start** and **Computer**. Right-click the optical disc drive icon, and select **Eject**.
- Try restarting your computer.

## What should I do if I cannot play a disc properly on my computer?

- ❑ Make sure the disc is inserted into the optical disc drive with the label side facing toward you.
- ❑ Make sure the necessary program(s) is installed according to the manufacturer's instructions.
- ❑ If a disc is dirty or damaged, your computer will stop responding. Follow these steps:
  - 1 Press the **Ctrl+Alt+Delete** keys and click the arrow next to the **Shut down** button and **Restart** to restart the computer.
  - 2 Remove the disc from the optical disc drive.
  - 3 Check the disc for dirt or damage. If you need to clean the disc, see **On Handling Discs (page 125)** for instructions.
- ❑ If you are playing a disc and cannot hear sound, do any of the following:
  - ❑ Check if the volume is turned off or minimized by the muting or volume button, respectively, on the wireless keyboard or the remote commander.
  - ❑ Right-click the volume icon on the taskbar and click **Open Volume Mixer** to check the settings.
  - ❑ Check the volume setting in the audio mixer.
  - ❑ If you are using external speakers, check the volume settings on the speakers and the connections between the speakers and your computer.
  - ❑ Make sure the correct driver software is installed. Follow these steps:
    - 1 Click **Start** and **Control Panel**.
    - 2 Click **System and Maintenance**.
    - 3 Click **System**.
    - 4 Click **Device Manager** on the left pane.

The **Device Manager** window appears with a listing of your computer's hardware devices.  
If an "X" or an exclamation point appears on the listed device, you may need to enable the device or reinstall the drivers.

- 5 Double-click the optical disc drive device to open a list of the optical disc drives of your computer.
  - 6 Double-click the desired drive.  
You can confirm the driver software by selecting the **Driver** tab, and clicking **Driver Details**.
  - 7 Click **OK** to close the window.
- Make sure an adhesive label is not affixed to a disc. Adhesive labels can come off while the disc is in the optical disc drive and damage the drive or cause it to malfunction.
  - If a region code warning appears, the disc may be incompatible with the optical disc drive. Check the DVD package to make sure the region code is compatible with the optical disc drive.
  - If you notice condensation on your computer, do not use the computer for at least one hour. Condensation can cause the computer to malfunction.

## What should I do if I cannot write data to CD media?

- ❑ Make sure you neither launch any software application nor allow any to launch automatically, not even a screen saver.
- ❑ Stop using the keyboard.
- ❑ If you are using a CD-R/RW disc with an adhesive label affixed, replace it with one with no affixed adhesive label. Using a disc with an affixed adhesive label could cause a write error or other damage.

## What should I do if I cannot write data to DVD media?

- ❑ Make sure you are using the correct DVD recordable media.
- ❑ Check which DVD recordable format is compatible with your optical disc drive. Note the possibility that some brands of DVD recordable media do not work.

## Why can't I write data to Blu-ray Discs?

! This Q & A entry applies to selected models only. See the online **Specifications** to find the type of your optical disc drive, and then **Reading and Writing Optical Discs (page 45)** to find about the supported disc media.

- ❑ Make sure your optical disc drive supports the Blu-ray Disc writing function. The CD-RW/DVD-ROM, DVD-ROM, and DVD±RW/±R DL/RAM drives do not support it.
- ❑ BD-R Discs are not rewritable media. You cannot add or erase data to or from the BD-R Discs.

## Display

### Why did my screen go blank?

- ❑ Your computer screen may go blank if the computer enters Sleep mode. If the computer is in Sleep mode, press the power button on the computer or the sleep button on the wireless keyboard or the remote commander to bring the computer back into Normal mode. See **Using the Power Saving Mode (page 101)** for more information.
- ❑ Make sure your computer is securely plugged into a power source and turned on. Make sure the power indicator shows the power is on.
- ❑ The LCD backlight of your computer may have been turned off. Press the **DISPLAY OFF** button.

### What should I do if my screen is dark?

Press the **Fn+F6** keys to brighten your computer screen.

## How do I run Windows Aero?

! This Q & A entry applies to selected models only.

To run Windows Aero, follow these steps:

- 1 Click **Start** and **Control Panel**.
- 2 Click **Customize colors** under **Appearance and Personalization**.
- 3 Click **Open classic appearance properties for more color options**.  
The **Appearance Settings** window appears.
- 4 Select **Windows Aero** from the **Color scheme** options on the **Appearance** tab.
- 5 Click **OK**.

For information about the Windows Aero features, such as Windows Flip 3D, see **Windows Help and Support**.

## Printing

### What should I do if I cannot print a document?

- ❑ Make sure your printer is on, and the printer cable is securely connected to the ports on the printer and computer.
- ❑ Make sure your printer is compatible with the Windows operating system installed on your computer.
- ❑ You may need to install the printer driver software before you use your printer. See the manual that came with your printer for more information.
- ❑ If your printer is not functioning after your computer resumes from Sleep mode, then restart the computer.
- ❑ If the bidirectional communication functions are provided with your printer, disabling the functions on your computer may enable printing. Follow these steps:
  - 1 Click **Start** and **Control Panel**.
  - 2 Click **Printer** under **Hardware and Sound**.
  - 3 Right-click the printer icon and select **Properties**.
  - 4 Click the **Ports** tab.
  - 5 Click to cancel the **Enable bidirectional support** check box.
  - 6 Click **OK**.

This change to the settings disables the bidirectional communication functions of the printer, such as data transfer, status monitoring, and remote panel.

## Microphone

### What should I do if my microphone does not work?

If you are using an external microphone, make sure the microphone is turned on and is properly plugged into the microphone jack on your computer.

### How can I prevent microphone feedback?

Microphone feedback occurs when the microphone receives the sound from a sound output device, such as a speaker.

To prevent this problem:

- Keep the microphone away from a sound output device.
- Turn down the volume of the speakers and the microphone.

## What should I do if I do not hear audio input from the built-in microphone through the built-in speakers or if the built-in microphone does not work?

Follow these steps to disable the acoustic echo canceller function:

- 1 Turn on the computer.
- 2 Press the **F2** key when the VAIO logo appears.  
The BIOS setup screen appears. If not, restart the computer and press the **F2** key several times when the VAIO logo appears.
- 3 Press the **←** or **→** key to select **Advanced** to display the **Advanced** tab, select **Voice Processor**, and then press the **Enter** key.
- 4 Press the **↑** or **↓** key to select **Disabled** and press the **Enter** key.
- 5 Press the **←** or **→** key to select **Exit**, select **Exit Setup**, and then press the **Enter** key.  
At the confirmation prompt, press the **Enter** key.

## Mouse

### What should I do if my computer does not recognize my mouse?

- ❑ Make sure the power switch on the bottom of the wireless mouse is in the **ON** position.
- ❑ Make sure another mouse is not connected.
- ❑ Make sure the supplied AA batteries are properly installed.
- ❑ Press the **CONNECT** button on your computer and then on the wireless mouse within 10 seconds to re-establish the connection between the two devices.

### What should I do if the pointer does not move when I use my mouse?

- ❑ If the pointer does not move while a software application is running, press the **Alt+F4** keys to close the application window.
- ❑ If the **Alt+F4** keys do not work, click **Start**, the arrow next to the **Lock** button, and **Restart** to restart your computer.
- ❑ If your computer does not restart, press the **Ctrl+Alt+Delete** keys and click the arrow next to the **Shut down** button and **Restart**.  
If the **Windows Security** window appears, click **Restart**.
- ❑ If this procedure does not work, press and hold the power button until the computer turns off.



Turning off your computer with the power button may cause loss of unsaved data.

- ❑ Avoid using any wireless devices that exchange radio signals on the 2.4 GHz frequency band near your wireless mouse. These devices may cause interference, causing your mouse to stop working properly.
- ❑ Do not place metal furniture near your computer or wireless mouse, as this may create interference, causing your mouse to stop working properly.

## Speakers

### What should I do if I do not hear sound from the built-in speakers?

- ❑ If you are using a program that has its own volume control, make sure the volume control is properly set. See the program's help file for more information.
- ❑ Make sure the speaker volume is turned up loud enough and the audio option is enabled.
- ❑ The muting button on the wireless keyboard or the remote commander may have been pressed. Press the button once again.
- ❑ The volume may have been turned off with the volume down button on the wireless keyboard or the remote commander. Press the volume up button to turn up the volume loud enough to hear sound.
- ❑ Check the Windows volume controls by clicking the volume icon on the taskbar.

## Keyboard

### What should I do if the keyboard configuration is wrong?

The language layout of your wireless keyboard is labeled on the packaging box. If you choose a different regional keyboard when you complete the Windows setup, the key configuration will be mismatched.

To change the keyboard configuration, follow these steps:

- 1 Click **Start** and **Control Panel**
- 2 Click **Clock, Language, and Region**, and click **Regional and Language Options**.
- 3 Change the settings as desired.

### What should I do if I cannot enter certain characters with the keyboard?

- If you cannot use the numeric keypad, the **Num Lk** key may not be activated. Check if the Num lock indicator is off. If the Num lock indicator is off, press the **Num Lk** key to turn it on before entering numerals.
- Avoid using any wireless devices that exchange radio signals on the 2.4 GHz frequency band near the wireless keyboard. These devices may cause interference, causing the keyboard to stop working properly.
- Do not place metal furniture near your computer or wireless keyboard, as this may create interference, causing the keyboard to stop working properly.

### What should I do if my computer does not recognize my keyboard?

- Make sure the **POWER** switch at the top of the wireless keyboard is in the **ON** position.
- Make sure the supplied AA batteries are properly installed.
- Press the **CONNECT** button on your computer and then on the wireless keyboard to re-establish the connection between the two devices.

## Floppy Disks

### Why doesn't the Safely Remove Hardware icon appear on the taskbar when the drive is connected?

Your computer does not recognize the floppy disk drive. First, make sure the USB cable is properly connected to the USB port. If you need to secure the connection, wait a few moments for the computer to recognize the drive. If the icon still does not appear, follow these steps:

- 1 Close all programs that are accessing the floppy disk drive.
- 2 Wait for the LED indicator on the floppy disk drive to turn off.
- 3 Push the eject button to remove the disk, and disconnect the USB floppy disk drive from your computer.
- 4 Reconnect the floppy disk drive by inserting the USB connector into the USB port.
- 5 Restart the computer by clicking **Start**, the arrow next to the **Lock** button, and **Restart**.

### What should I do if I cannot write data to a floppy disk?

- Make sure the floppy disk is properly inserted in the drive.
- If the disk is inserted properly and you are still unable to write data to it, the disk may be full or write-protected. You can either use a floppy disk that is not write-protected or disable the write-protect feature.

## PC Cards

### What should I do if my PC Card does not work?

- ❑ Make sure the PC Card is inserted properly. See **Inserting a PC Card (page 63)** for more information.
- ❑ Make sure the PC Card is compatible with the Microsoft Windows operating system installed on your computer.
- ❑ See the manual that came with your PC Card for more information. You may need to install driver software if you are not using a Sony PC Card.
- ❑ If your PC Card, which worked normally before, does not work, you may need to install the most recent driver software. Follow these steps:
  - 1 Click **Start** and **Control Panel**.
  - 2 Click **System and Maintenance**.
  - 3 Click **System**.
  - 4 Click **Device Manager** on the left pane.  
The **Device Manager** window appears.
  - 5 Double-click the device name for the PC Card to display the properties window.
  - 6 Select the **Driver** tab and click **Update Driver**.

## Why doesn't my computer recognize attached devices?

For some PC Cards, if you alternate between Normal mode and Sleep mode while the card is inserted into the PC Card slot, your computer may not recognize the PC Card or the connected device. Restart the computer.

## Why can't I insert my PC Card?

- ❑ Make sure you are inserting the card in the correct orientation. The back of the PC Card should face toward you. See **Inserting a PC Card (page 63)** for more information.
- ❑ You may not be able to use some PC Cards or some functions of the PC Card on your computer. See the manual that came with your PC Card for more information.

## Audio/Video

### What should I do if I cannot use my DV camcorder?

If it is prompted that the i.LINK device seems to be disconnected or turned off, the i.LINK cable may not be securely plugged into the port on your computer or camcorder. Unplug the cable, and plug it in once again. See **Connecting an i.LINK Device (page 92)** for more information.



i.LINK is a trademark of Sony used only to designate that a product contains an IEEE 1394 connection. The procedure to establish an i.LINK connection may vary, depending on a software application, an operating system, and a compatible i.LINK device. Not all products with an i.LINK connection can communicate with each other. See the manual that came with your compatible i.LINK device for more information on operating conditions and proper connection. Before connecting compatible i.LINK PC peripherals to your system, such as a CD-RW or hard disk drive, confirm their operating system compatibility and required operating conditions.

### How do I turn off the Windows startup sound?

To turn off the Windows startup sound, follow these steps:

- 1 Click **Start** and **Control Panel**.
- 2 Click **Hardware and Sound**.
- 3 Click **Manage audio devices** under **Sound**.
- 4 On the **Sounds** tab, click to cancel the **Play Windows Startup sound** check box.
- 5 Click **OK**.

## What should I do if I do not hear the sound from the device connected to the OPTICAL OUT port?

Once you have connected a device to the **OPTICAL OUT** port, you need to change the device for sound output if you want to hear sound from the device.

To change the sound output device, follow these steps:

- 1 Close all open programs.
- 2 Click **Start** and **Control Panel**.
- 3 Click **Hardware and Sound**.
- 4 Click **Manage audio devices** under **Sound**.
- 5 On the **Playback** tab, select the desired device for sound output and click **Set Default**.

## How do I output the Dolby Digital or DTS sound through an S/PDIF-compatible device?

To output the Dolby Digital or DTS sound from a disc through an S/PDIF-compatible device connected to your computer, follow these steps:

- 1 Click **Start** and **Control Panel**.
- 2 Click **Hardware and Sound**.
- 3 Click **Manage audio devices** under **Sound**.
- 4 On the **Playback** tab, select the optical out icon and click **Properties**.
- 5 Click the **Supported Formats** tab.
- 6 Click to select the **DTS audio** and **Dolby Digital** check boxes.
- 7 Click **OK**.

! If the Dolby Digital or DTS sound is output to a device that does not support it, the device will not play any sound. In such a case, cancel the **DTS audio** and **Dolby Digital** check boxes.

## Memory Stick Media

### What should I do if I cannot use Memory Stick media, which were formatted on a VAIO computer, on other devices?

You may need to reformat your Memory Stick media.

Formatting Memory Stick media erases all data, including music data previously saved on it. Before you reformat Memory Stick media, back up important data and confirm that the media does not contain files you want to keep.

- 1 Copy the data from the Memory Stick media onto your hard disk drive to save data or images.
- 2 Format the Memory Stick media by following the steps in **To format a Memory Stick media (page 73)**.

### Why can't I save music files onto my Memory Stick media?

Copyright protected music cannot be checked out to any Memory Stick media other than those with the MagicGate logo.

! Use of recorded music requires permission from the copyright holders.

Sony is not responsible for music files that cannot be recorded from a CD or downloaded from other sources.

### Can I copy images from a digital camera using Memory Stick media?

Yes, and you can view video clips that you have recorded with Memory Stick media-compatible digital cameras.

### Why can't I write data to Memory Stick media?

Some versions of Memory Stick media are equipped with an erasure prevention switch to protect data from accidental erasure or overwriting. Make sure the erasure prevention switch is off.

## Peripherals

### What should I do if I cannot connect a USB device?

- ❑ If applicable, check the USB device is turned on and using its own power supply. For example, if you are using a digital camera, check if the battery is charged. If you are using a printer, check if the power cable is connected properly to the AC outlet.
- ❑ Try using another USB port on your computer. The driver could be installed to the specific port you used the first time you connected the device.
- ❑ See the manual that came with your USB device for more information. You may need to install software before you connect the device.
- ❑ Try connecting a simple, low-powered device such as a mouse to test if the port is working at all.
- ❑ USB hubs may prevent a device from working because of the distribution of power. We recommend you connect the device directly to your computer without a hub.

# Support Options

This section contains information on where to go for answers to questions about your VAIO computer.

## Sony Support Information

See the following sources for answers in the sequence listed below.

See **Documentation (page 6)** for details on the printed and non-printed documentation supplied with your computer, as well as further sources of reference.

- Go to the help files that accompany your software for instructions on using the software.
- Use the search functionality in **Windows Help and Support** by pressing and holding the Microsoft Windows key and pressing the **F1** key.
- VAIO-Link Web site:** If you have any problem with the computer, you can access the VAIO-Link Web site for troubleshooting. Go to <http://support.vaio.sony.eu>.
- e-Support:** This interactive part of our Web site <http://support.vaio.sony.eu> allows you to get in contact with our dedicated support team over the Internet. Using a personalized account, you can log your technical queries with ease.
- VAIO-Link help lines:** Before contacting VAIO-Link by telephone, try to solve the problem by reading the printed and non-printed documentation.
- Visit the other Sony Web sites:
  - <http://www.club-vaio.com> if you want to know more about VAIO and become part of the growing VAIO community.
  - <http://www.sonystyle-europe.com> for online purchases.
  - <http://www.sony.net> for other Sony products.



You need to set up an Internet connection before you can access the online features described here.

## e-Support

### What is e-Support?

You have searched our user guides and Web site (<http://support.vaio.sony.eu>) but have not found an answer to your question/issue? e-Support is the ideal solution for you!

Our e-Support Web Portal is an interactive Web site on which you can submit any technical query you may have regarding your computer and receive answers from our dedicated support team.

Every submitted query will result in a unique 'case number' to ensure smooth communication between yourself and the e-Support Team.

### Who can use e-Support?

All registered VAIO customers are entitled to unlimited access to the VAIO-Link e-Support Web Portal.

### How can I access the e-Support portal?

When you register your computer, you will automatically receive an e-mail with the link to the e-Support Web Portal, your Customer ID and some basic explanation a few hours later.

All you need to do is activate your account by clicking on the provided link in the e-mail.

You are now ready to create your first case!

You can access the e-Support Web Portal from any computer with an active Internet connection.

A complete help file is available on the e-Support Web Portal to help you use our e-Support Service.

### Can I submit questions in my native language?

Since you are interacting with our e-Support Team through a portal, which connects you directly to our central database, e-Support will only accept and deal with queries submitted in English, French or German.

## Can I submit my questions at any time?

Yes, you can submit your questions 24/7, but keep in mind that our e-Support Team can only treat your queries from Monday till Friday between 8am and 6pm.

## Is there a cost involved for using e-Support?

No, this is a complete free of charge service offered to all registered VAIO customers!

## How do I know when the e-Support Team has handled my query/case?

As soon as your case has been dealt with by our e-Support Team, you will receive an e-mail, notifying you that your case has been updated.

## Trademarks

Sony, Battery Checker, Click to DVD, Click to DVD BD, DVgate Plus, SonicStage Mastering Studio, VAIO Control Center, VAIO Edit Components, VAIO Media, VAIO Power Management, VAIO Power Management Viewer, My Club VAIO, VAIO Update are trademarks or registered trademarks of Sony Corporation.



and "Memory Stick," "Memory Stick Duo," "MagicGate," "OpenMG," "MagicGate Memory Stick," "Memory Stick PRO," "Memory Stick PRO-HG," "Memory Stick Micro," "M2," Memory Stick logo, VAIO, and the VAIO logo are trademarks or registered trademarks of Sony Corporation.

Blu-ray Disc™ and the Blu-ray Disc logo are trademarks of the Blu-ray Disc Association.

Microsoft Windows Vista, Windows Media Center Edition, MS Works, Microsoft Office 2007 Trial, Microsoft Office Ready 2007 and the Windows logo are trademarks or registered trademarks of Microsoft Corporation in the U.S. and other countries.

i.LINK is a trademark of Sony used only to designate that a product contains an IEEE 1394 connection.

Adobe, Adobe Acrobat Standard, Adobe Reader, Adobe Premiere Elements, Adobe Premiere Pro and Adobe Photoshop Elements are trademarks of Adobe Systems Incorporated.

Norton and Norton 360 are trademarks of Symantec Corporation.

Roxio Easy Media Creator is a trademark of Sonic Solutions.

WinDVD for VAIO and WinDVD BD for VAIO are trademarks of InterVideo, Inc.

Sun Java VM is a trademark of Sun Microsystems, Inc.

Google Toolbar, Google Desktop Search, Google Earth and Google Picasa are trademarks of Google.

Skype is a trademark of Skype Limited.

My Club VAIO uses Macromedia Flash™ Player software by Macromedia, Inc., Copyright © 1995-2003 Macromedia, Inc. All rights reserved. Macromedia and Flash are trademarks of Macromedia, Inc.

The ExpressCard word mark and logos are owned by the PCMCIA and any use of such marks by Sony Corporation is under license. Other trademarks and trade names are those of their respective owners.

SD Logo is a trademark. 

SDHC Logo is a trademark. 

MultiMediaCard™ is a trademark of MultiMediaCard Association.

VESA. is a registered trademark of the Video Electronics Standards Association.

All other names of systems, products and services are trademarks of their respective owners. In the manual, the ™ or ® marks are not specified.

Specifications are subject to change without notice. All other trademarks are trademarks of their respective owners.

See the online **Specifications** to see what software is available for your model.



## Free Manuals Download Website

<http://myh66.com>

<http://usermanuals.us>

<http://www.somanuals.com>

<http://www.4manuals.cc>

<http://www.manual-lib.com>

<http://www.404manual.com>

<http://www.luxmanual.com>

<http://aubethermostatmanual.com>

Golf course search by state

<http://golfingnear.com>

Email search by domain

<http://emailbydomain.com>

Auto manuals search

<http://auto.somanuals.com>

TV manuals search

<http://tv.somanuals.com>