

VPCSA/SB/SC/SD Series

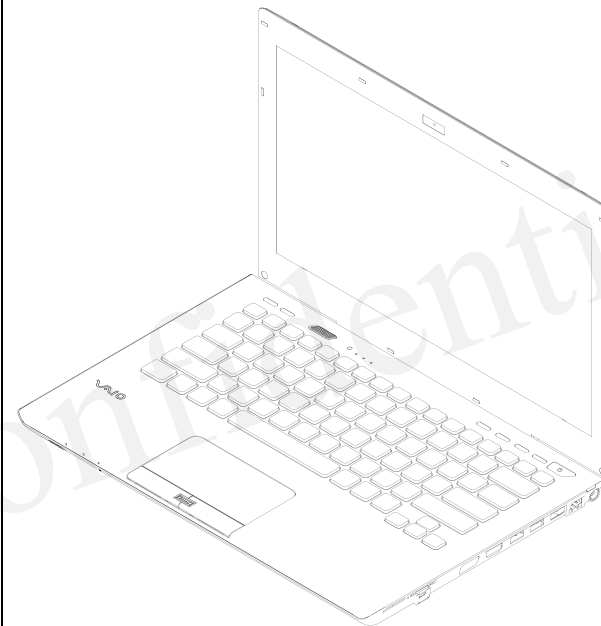
SERVICE MANUAL

Ver.5-2012E

Revision History

Area	Lineup	Area	Lineup	Area	Lineup
JP (Japan)	VPCSA3AJ* VPCSB38FJ/B VPCSB38FJ/L VPCSB38FJ/P VPCSB38FJ/W VPCSB39FJ/B VPCSB3AJ*		VPCSA3S9R/XI VPCSA3T9E/XI VPCSA3V9E/XI VPCSA3X9E/XI VPCSA3X9R/XI VPCSA3Z9E/XI VPCSA3Z9R/T VPCSA3Z9R/XI VPCSB3C5E* VPCSB3L9E/R VPCSB3L9E/S VPCSB3L9E/W VPCSB3M1R/L VPCSB3M1R/P VPCSB3M1R/R VPCSB3M1R/W VPCSB3M9E/B VPCSB3M9E/S VPCSB3N9E/B VPCSB3N9E/S VPCSB3Q9E/P VPCSB3Q9E/S VPCSB3Q9E/W VPCSB3S9E/B VPCSB3T9E/R VPCSB3V9E/B VPCSB3V9R/B VPCSB3V9R/S VPCSB3X9E/B VPCSB3Z9E/B VPCSB3Z9R/B	AP (Asia-Pacific)	VPCSB35FG/S VPCSB35FG/W VPCSB35FH/L VPCSB35FH/P VPCSB35FW/B VPCSB35FW/L VPCSB35FW/P VPCSB35FW/R VPCSB35FW/S VPCSB36FA/B VPCSB36FA/L VPCSB36FA/R VPCSB36FA/S VPCSB36FF/B VPCSB36FG/B VPCSB36FG/L VPCSB36FG/P VPCSB36FG/R VPCSB36FG/S VPCSB36FG/W VPCSB36FH/P VPCSB36FH/R VPCSB36FK/B VPCSB36FK/P VPCSB36FK/W VPCSB36FN/B VPCSB36FN/L VPCSB36FN/P VPCSB36FN/S VPCSB36FW/B VPCSB36FW/P VPCSB36FW/W VPCSB37GA/B VPCSB37GG/B VPCSB37GG/S VPCSB37GH/B VPCSB37GK/B VPCSB37GW/S VPCSB38GA/B VPCSB38GF/B VPCSB38GG/B VPCSB38GG/S VPCSB38GH/B VPCSB38GW/B
US (United States)	VPCSA31FX/BI VPCSA31FX/SI VPCSA31GX/BI VPCSA31GX/SI VPCSA33GX/BI VPCSA33GX/SI VPCSA35GX/BI VPCSA35GX/SI VPCSA390X* VPCSA3AFX/BI VPCSA3AFX/SI VPCSB31FX/B VPCSB31FX/L VPCSB31FX/P VPCSB31FX/R VPCSB31FX/W VPCSB33GX/B VPCSB33GX/L VPCSB33GX/P VPCSB33GX/R VPCSB33GX/W VPCSB35FX/B VPCSB35FX/L VPCSB35FX/P VPCSB35FX/R VPCSB35FX/W VPCSB390X* VPCSC31FM/S	EU (Europe)	VPCSA33GW/BI VPCSA33GW/T VPCSA35GG/BI VPCSA35GG/T VPCSA35GH/T VPCSA35GK/BI VPCSA36GA/BI VPCSA36GG/BI VPCSA36GG/T VPCSA36GH/BI VPCSA36GK/BI VPCSA36GW/BI VPCSA37GK/X VPCSA38GA/X VPCSA38GG/X VPCSA38GW/X VPCSB35FA/B VPCSB35FA/L VPCSB35FA/W VPCSB35FG/B VPCSB35FG/L VPCSB35FH/S VPCSB35FG/P VPCSB35FG/R	CN (China)	VPCSA300C* VPCSD300C*
PA (Pan-America)	VPCSA31GS/SI VPCSA33GS/BI VPCSA35GB/SI VPCSA35GL/BI VPCSA390S* VPCSB31FD/B VPCSB31FD/P VPCSB31FD/R VPCSB31FD/S VPCSB35FB/B VPCSB35FL/B VPCSB35FL/S VPCSB35FL/W VPCSB390L* VPCSB390S*	AP (Asia-Pacific)			
EU (Europe)	VPCSA3C5E* VPCSA3J1E/XI VPCSA3L9E/XI VPCSA3M9E/XI VPCSA3N9E/XI VPCSA3Q9E/XI VPCSA3S9E/XI				

*: CTO Model



VAIO

●Design and specifications are subject to change without notice.

PERSONAL COMPUTER


SONY®

Information in this document is subject to change without notice.

Sony, VAIO and CLIE are trademarks or registered trademarks of Sony. Microsoft, Windows, Windows Media, Outlook, Bookshelf and other Microsoft products are trademarks or registered trademarks of Microsoft Corporation in the United States and other countries. The word Bluetooth and the Bluetooth logo are trademarks of Bluetooth SIG, Inc. AMD, the AMD logo, other AMD product names and combinations thereof are trademarks of Advanced Micro Devices, Inc. Intel Inside logo, Pentium, Celeron and Core are trademarks or registered trademarks of Intel Corporation. Transmeta, the Transmeta logo, Crusoe Processor, the Crusoe logo and combinations thereof are trademarks of Transmeta Corporation in the USA and other countries. Graffiti, Hot-Sync, PalmModem, and Palm OS are registered trademarks, and the Hotsync logo and Palm are trademarks of Palm, Inc. or its subsidiaries. (M) and Motrola are trademarks of Motorola, Inc. Other Motorola products and services with (R) mark like Dragonball are the trademarks of Motorola, Inc.

All other names of systems, products and services in this manual are trademarks or registered trademarks of their respective owners. In this manual, the (TM) or (R) mark are not specified.

CAUTION – CLASS 3B VISIBLE AND INVISIBLE LASER RADIATION WHEN OPEN. AVOID EXPOSURE TO THE BEAM.

The components identified by mark  contain confidential information. Strictly follow the instructions whenever the components are repaired and/or replaced.

Caution Markings for Lithium/Ion Battery - The following or similar texts shall be provided on battery pack of equipment or in both the operating and the service instructions.

CAUTION: Danger of explosion if battery is incorrectly replaced. Replace only with the same or equivalent type recommended by the manufacturer. Discard used batteries according to the manufacturer's instructions.

CAUTION: The battery pack used in this device may present a fire or chemical burn hazard if mis-treated. Do not disassemble, heat above 60°C (140°F) or incinerate. Dispose of used battery promptly. Keep away from children.

CAUTION: Changing the back up battery.


- Overcharging, short circuiting, reverse charging, mutilation or incineration of the cells must be avoided to prevent one or more of the following occurrences; release of toxic materials, release of hydrogen and/or oxygen gas, rise in surface temperature.
- If a cell has leaked or vented, it should be replaced immediately while avoiding to touch it without any protection.

Service and Inspection Precautions

1. Obey precautionary markings and instructions

Labels and stamps on the cabinet, chassis, and components identify areas requiring special precautions. Be sure to observe these precautions, as well as all precautions listed in the operating manual and other associated documents.

2. Use designated parts only

The set's components possess important safety characteristics, such as noncombustibility and the ability to tolerate large voltages. Be sure that replacement parts possess the same safety characteristics as the originals. Also remember that the  mark, which appears in circuit diagrams and parts lists, denotes components that have particularly important safety functions; be extra sure to use only the designated components.

3. Always follow the original design when mounting parts and routing wires

The original layout includes various safety features, such as inclusion of insulating materials (tubes and tape) and the mounting of parts above the printer board. In addition, internal wiring has been routed and clamped so as to keep it away from hot or high-voltage parts. When mounting parts or routing wires, therefore, be sure to duplicate the original layout.

4. Inspect after completing service

After servicing, inspect to make sure that all screws, components, and wiring have been returned to their original condition. Also check the area around the repair location to ensure that repair work has caused no damage, and confirm safety.

5. When replacing chip components...

Never reuse components. Also remember that the negative side of tantalum capacitors is easily damaged by heat.

6. When handling flexible print boards...

- The temperature of the soldering-iron tip should be about 270°C.
- Do not apply the tip more than three times to the same pattern.
- Handle patterns with care; never apply force.

Caution: Remember that hard disk drives are easily damaged by vibration. Always handle with care.


ATTENTION AU COMPOSANT AYANT RAPPORT À LA SÉCURITÉ!
LES COMPOSANTS IDENTIFIÉS PAR UNE MARQUE  SUR LES DIAGRAMMES SCHÉMATIQUES ET LA LISTE DES PIÈCES SONT CRITIQUES POUR LA SÉCURITÉ DE FONCTIONNEMENT. NE REMPLACER CES COMPOSANTS QUE PAR DES PIÈCES SONY DONT LES NUMÉROS SONT DONNÉS DANS CE MANUEL OU DANS LES SUPPLÉMENTS PUBLIÉS PAR SONY.

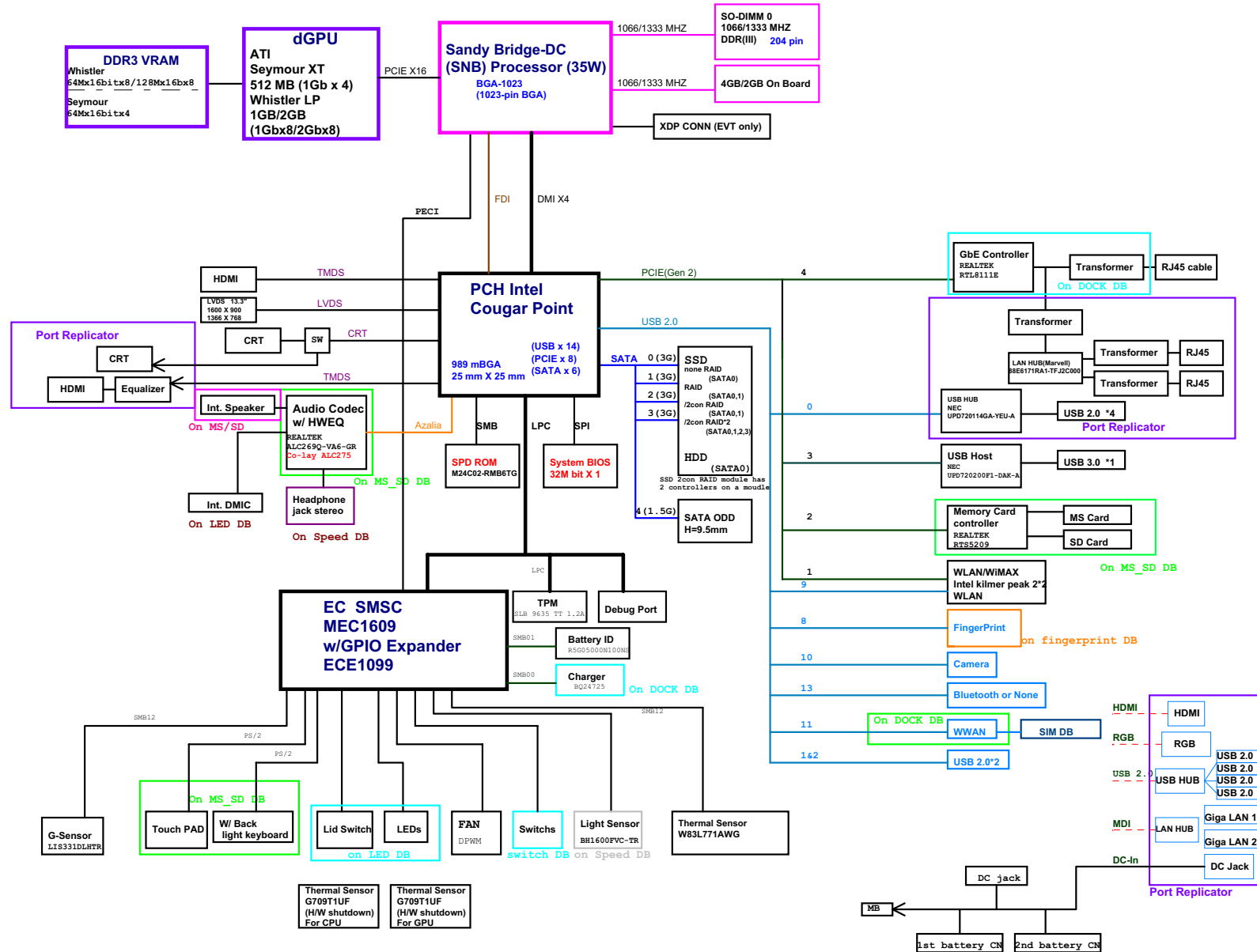
TABLE OF CONTENTS

Section	Title	Page
CHAPTER1. BLOCK DIAGRAM		1-1
		(to 1-1)
CHAPTER2. FRAME HARNESS DIAGRAM		
2-1.VPCSA/SB/SC/SD Series (TOP)		2-1
2-2.VPCSA/SB/SC/SD Series (BOTTOM)		2-2
		(to 2-2)
CHAPTER3. EXPLODED VIEWS AND PARTS LIST		
Note		3-2
Screws		
S-1. Screws		3-3
Palmrest		
P-1. Palmrest		3-4
Main Board		
M-1. Main Board		3-5
Bottom		
B-1. Bottom		3-6
ODD		
D-1. ODD		3-7
HDD		
H-1. HDD		3-8
LCD		
L-1. LCD (Hot)		3-9
L-2. LCD (Mild)		3-10
Accessories		
A-1. Accessories		3-11
LCD DIP Switch		3-12
WWAN DIP Switch		3-13
		(to 3-13)

Section	Title	Page
CHAPTER4.OTHERS		
4-1. Note for WWAN Board Replacement		4-1
4-2. Note for WIMAX Board Replacement		4-2
4-3. Holding Method of Motherboard		4-3
		(to 4-3)

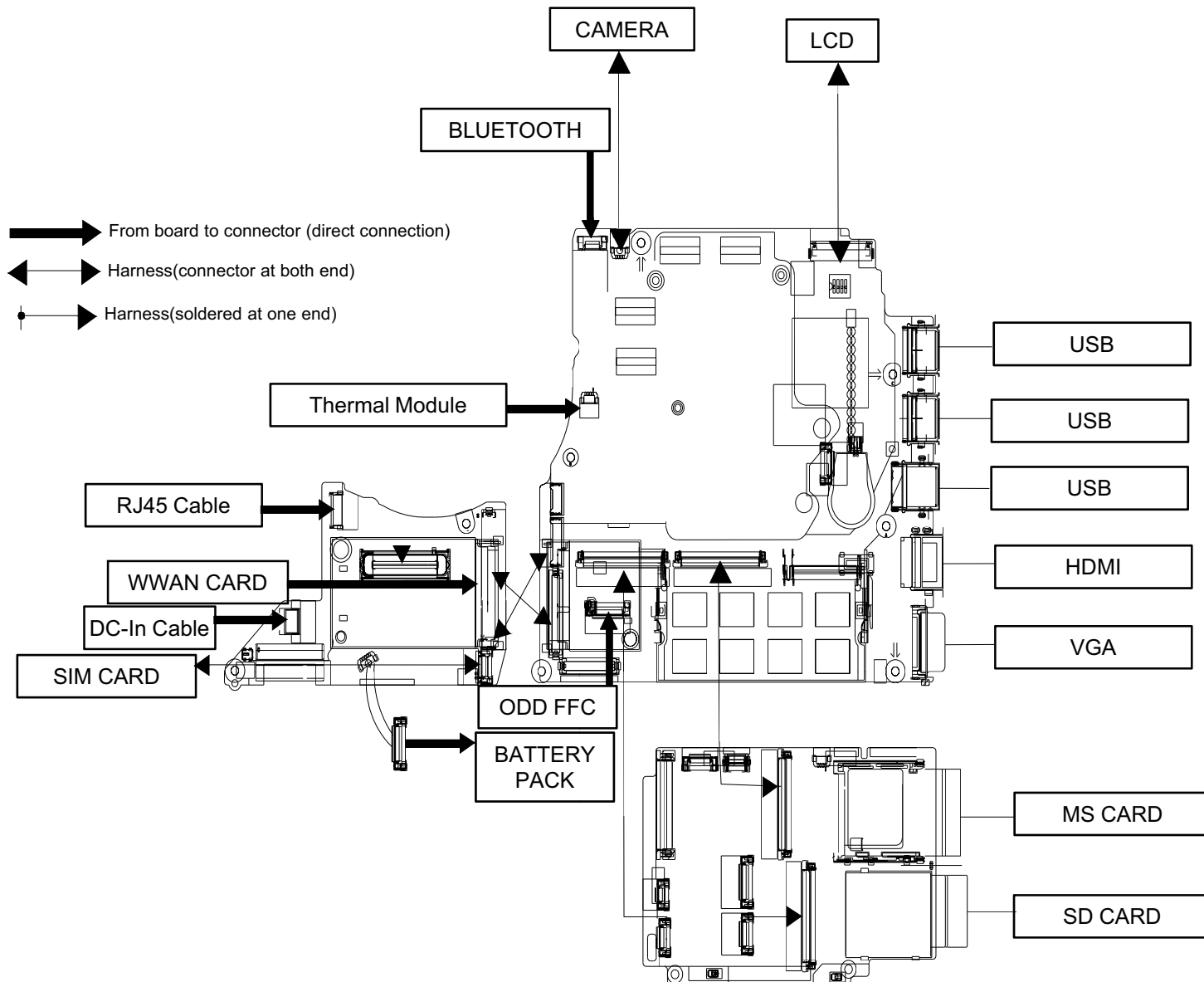
- SPECIFICATIONS are listed on Page 3-1 of "CHAPTER3. EXPLODED VIEWS AND PARTS LIST".
- History of the changes is shown as the "Revision History" at the end of this data.

CHAPTER1. BLOCK DIAGRAM

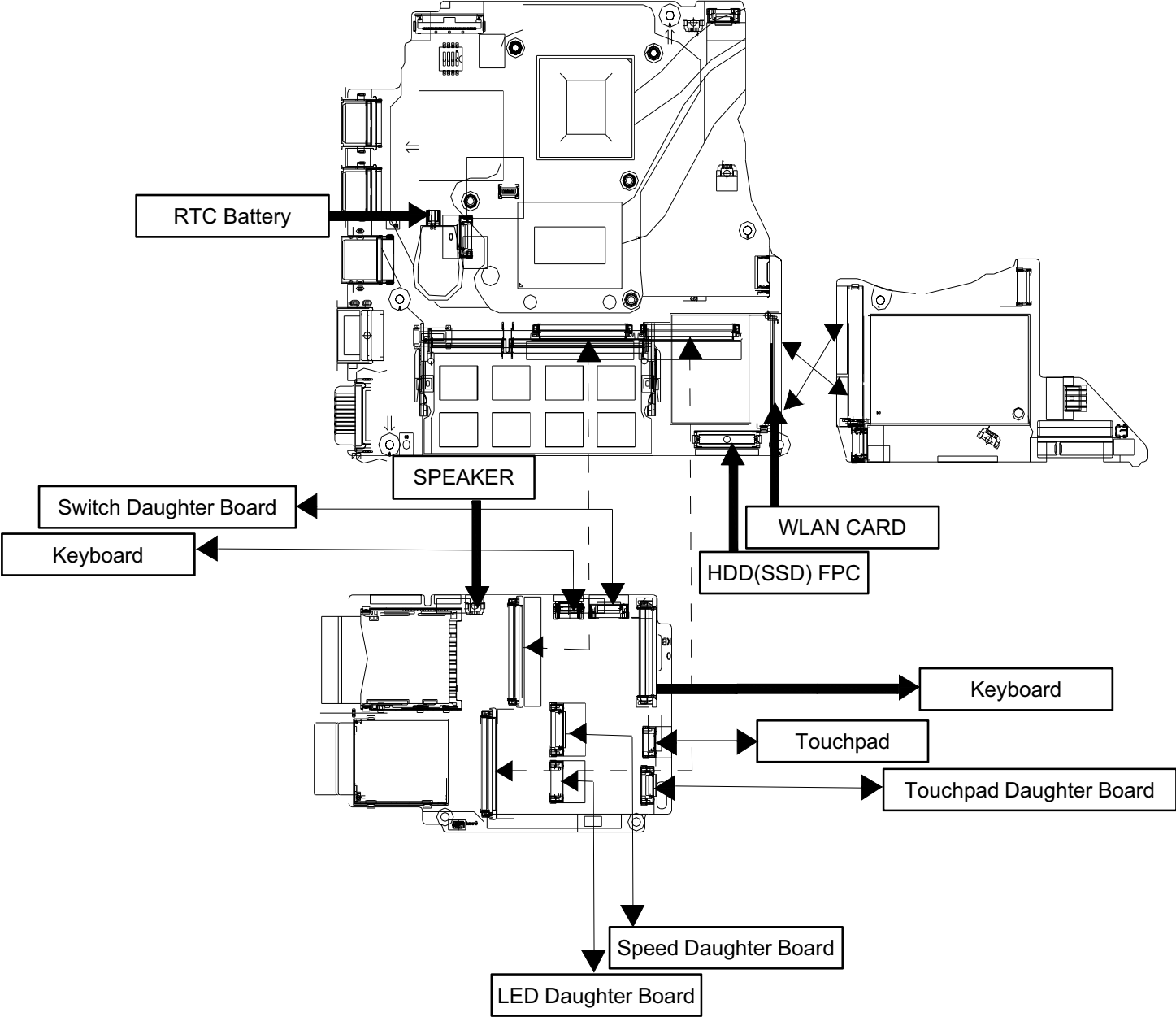


CHAPTER 2. FRAME HARNESS DIAGRAM

2-1.VPCSA/SB/SC/SD Series (TOP)



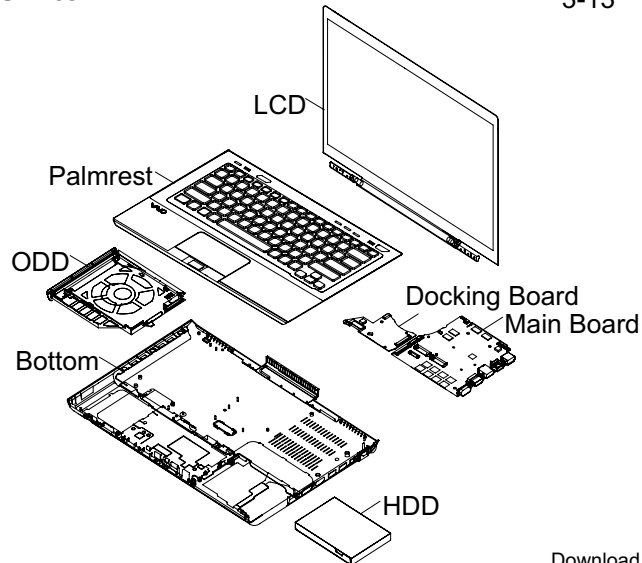
2-2. VPCSA/SB/SC/SD Series (BOTTOM)



CHAPTER 3. EXPLODED VIEWS AND PARTS LIST

- The parts list is compiled by blocks of a Palmrest and bottom etc.
The sections of the parts list are different depending on the model.
Please refer to list of contents shown.

Section	Page
Note	3-2
Screws	
S-1.Screws.....	3-3
Palmrest	
P-1.Palmrest.....	3-4
Main Board	
M-1.Main Board.....	3-5
BOTTOM	
B-1.Bottom.....	3-6
ODD	
D-1.ODD.....	3-7
HDD	
H-1.HDD.....	3-8
LCD	
L-1. LCD (For Hot).....	3-9
L-2. LCD (For Mild).....	3-10
ACCESSORIES	
A-1.Accessories.....	3-11
LCD DIP Switch	3-12
WWAN DIP Switch	3-13



- Double-click on the paper clip mark in the Spec column to open the specifications list.
- To open the parts list, Microsoft office Excel or Excel viewer is required.

		Palmrest	Main Board	Bottom	ODD	HDD	LCD	Accessories	Spec
JP	SA3AJ*	P-1	M-1	B-1	D-1	H-1	L-1	A-1	📎
	SB38FJ/B	P-1	M-1	B-1	D-1	H-1	L-2	A-1	
	SB38FJ/L	P-1	M-1	B-1	D-1	H-1	L-2	A-1	
	SB38FJ/P	P-1	M-1	B-1	D-1	H-1	L-2	A-1	
	SB38FJ/W	P-1	M-1	B-1	D-1	H-1	L-2	A-1	
	SB39FJ/B	P-1	M-1	B-1	D-1	H-1	L-2	A-1	
SA31FX/BI	P-1	M-1	B-1	D-1	H-1	L-1	A-1	📎	
SA31FX/SI	P-1	M-1	B-1	D-1	H-1	L-1	A-1		
SA31GX/BI	P-1	M-1	B-1	D-1	H-1	L-1	A-1		
SA31GX/SI	P-1	M-1	B-1	D-1	H-1	L-1	A-1		
SA33GX/BI	P-1	M-1	B-1	D-1	H-1	L-1	A-1		
SA33GX/SI	P-1	M-1	B-1	D-1	H-1	L-1	A-1		
SA35GX/BI	P-1	M-1	B-1	D-1	H-1	L-1	A-1		
SA35GX/SI	P-1	M-1	B-1	D-1	H-1	L-1	A-1		
SA390X*	P-1	M-1	B-1	D-1	H-1	L-1/L-2	A-1		
SA3AFX/BI	P-1	M-1	B-1	D-1	H-1	L-1	A-1		
SA3AFX/SI	P-1	M-1	B-1	D-1	H-1	L-1	A-1		
SB31FX/B	P-1	M-1	B-1	D-1	H-1	L-2	A-1		
SB31FX/L	P-1	M-1	B-1	D-1	H-1	L-2	A-1		
SB31FX/P	P-1	M-1	B-1	D-1	H-1	L-2	A-1		
SB31FX/R	P-1	M-1	B-1	D-1	H-1	L-2	A-1		
SB31FX/W	P-1	M-1	B-1	D-1	H-1	L-2	A-1		
SB33GX/B	P-1	M-1	B-1	D-1	H-1	L-2	A-1		
SB33GX/L	P-1	M-1	B-1	D-1	H-1	L-2	A-1		
SB33GX/P	P-1	M-1	B-1	D-1	H-1	L-2	A-1		
SB33GX/R	P-1	M-1	B-1	D-1	H-1	L-2	A-1		
SB33GX/W	P-1	M-1	B-1	D-1	H-1	L-2	A-1		
SB35FX/B	P-1	M-1	B-1	D-1	H-1	L-2	A-1		
SB35FX/L	P-1	M-1	B-1	D-1	H-1	L-2	A-1		
SB35FX/P	P-1	M-1	B-1	D-1	H-1	L-2	A-1		
SB35FX/R	P-1	M-1	B-1	D-1	H-1	L-2	A-1		
SB35FX/W	P-1	M-1	B-1	D-1	H-1	L-2	A-1		
SB390X*	P-1	M-1	B-1	D-1	H-1	L-1/L-2	A-1		
SC31FM/S	P-1	M-1	B-1	D-1	H-1	L-2	A-1		
SA31GS/SI	P-1	M-1	B-1	D-1	H-1	L-1	A-1	📎	
SA33GS/BI	P-1	M-1	B-1	D-1	H-1	L-1	A-1		
SA35GB/SI	P-1	M-1	B-1	D-1	H-1	L-1	A-1		
SA35GL/BI	P-1	M-1	B-1	D-1	H-1	L-1	A-1		
SA390S*	P-1	M-1	B-1	D-1	H-1	L-1	A-1		
SB31FD/B	P-1	M-1	B-1	D-1	H-1	L-2	A-1		
SB31FD/P	P-1	M-1	B-1	D-1	H-1	L-2	A-1		
SB31FD/R	P-1	M-1	B-1	D-1	H-1	L-2	A-1		
SB31FD/S	P-1	M-1	B-1	D-1	H-1	L-2	A-1		
SB35FB/B	P-1	M-1	B-1	D-1	H-1	L-2	A-1		
SB35FL/B	P-1	M-1	B-1	D-1	H-1	L-2	A-1		
SB35FL/S	P-1	M-1	B-1	D-1	H-1	L-2	A-1		
SB35FL/W	P-1	M-1	B-1	D-1	H-1	L-2	A-1		
SB390L*	P-1	M-1	B-1	D-1	H-1	L-2	A-1		
SB390S*	P-1	M-1	B-1	D-1	H-1	L-2	A-1		

*: CTO Model

[Sony Confidential]

VPCSA/SB/SC/SD Series (9-890-859-XX)

- Double-click on the paper clip mark in the Spec column to open the specifications list.
- To open the parts list, Microsoft office Excel or Excel viewer is required.

		Palmrest	Main Board	Bottom	ODD	HDD	LCD	Accessories	Spec
EU	SA3C5E*	P-1	M-1	B-1	D-1	H-1	L-1/L-2	A-1	
	SA3J1E/XI	P-1	M-1	B-1	D-1	H-1	L-1	A-1	
	SA3L9E/XI	P-1	M-1	B-1	D-1	H-1	L-1	A-1	
	SA3M9E/XI	P-1	M-1	B-1	D-1	H-1	L-1	A-1	
	SA3N9E/XI	P-1	M-1	B-1	D-1	H-1	L-1	A-1	
	SA3Q9E/XI	P-1	M-1	B-1	D-1	H-1	L-1	A-1	
	SA3S9E/XI	P-1	M-1	B-1	D-1	H-1	L-1	A-1	
	SA3S9R/XI	P-1	M-1	B-1	D-1	H-1	L-1	A-1	
	SA3T9E/XI	P-1	M-1	B-1	D-1	H-1	L-1	A-1	
	SA3V9E/XI	P-1	M-1	B-1	D-1	H-1	L-1	A-1	
	SA3X9E/XI	P-1	M-1	B-1	D-1	H-1	L-1	A-1	
	SA3X9R/XI	P-1	M-1	B-1	D-1	H-1	L-1	A-1	
	SA3Z9E/XI	P-1	M-1	B-1	D-1	H-1	L-1	A-1	
	SA3Z9R/T	P-1	M-1	B-1	D-1	H-1	L-1	A-1	
	SA3Z9R/XI	P-1	M-1	B-1	D-1	H-1	L-1	A-1	
	SB3C5E*	P-1	M-1	B-1	D-1	H-1	L-1/L-2	A-1	
	SB3L9E/R	P-1	M-1	B-1	D-1	H-1	L-2	A-1	
	SB3L9E/S	P-1	M-1	B-1	D-1	H-1	L-2	A-1	
	SB3L9E/W	P-1	M-1	B-1	D-1	H-1	L-2	A-1	
	SB3M1R/L	P-1	M-1	B-1	D-1	H-1	L-2	A-1	
	SB3M1R/P	P-1	M-1	B-1	D-1	H-1	L-2	A-1	
	SB3M1R/R	P-1	M-1	B-1	D-1	H-1	L-2	A-1	
	SB3M1R/W	P-1	M-1	B-1	D-1	H-1	L-2	A-1	
	SB3M9E/B	P-1	M-1	B-1	D-1	H-1	L-2	A-1	
	SB3M9E/S	P-1	M-1	B-1	D-1	H-1	L-2	A-1	
	SB3N9E/B	P-1	M-1	B-1	D-1	H-1	L-2	A-1	
	SB3N9E/S	P-1	M-1	B-1	D-1	H-1	L-2	A-1	
	SB3Q9E/P	P-1	M-1	B-1	D-1	H-1	L-2	A-1	
	SB3Q9E/S	P-1	M-1	B-1	D-1	H-1	L-2	A-1	
	SB3Q9E/W	P-1	M-1	B-1	D-1	H-1	L-2	A-1	
	SB3S9E/B	P-1	M-1	B-1	D-1	H-1	L-2	A-1	
	SB3T9E/R	P-1	M-1	B-1	D-1	H-1	L-2	A-1	
	SB3V9E/B	P-1	M-1	B-1	D-1	H-1	L-2	A-1	
	SB3V9R/B	P-1	M-1	B-1	D-1	H-1	L-2	A-1	
SB3V9R/S	P-1	M-1	B-1	D-1	H-1	L-2	A-1		
SB3X9E/B	P-1	M-1	B-1	D-1	H-1	L-2	A-1		
SB3Z9E/B	P-1	M-1	B-1	D-1	H-1	L-2	A-1		
SB3Z9R/B	P-1	M-1	B-1	D-1	H-1	L-2	A-1		
AP	SA33GW/BI	P-1	M-1	B-1	D-1	H-1	L-1	A-1	
	SA33GW/T	P-1	M-1	B-1	D-1	H-1	L-1	A-1	
	SA35GG/BI	P-1	M-1	B-1	D-1	H-1	L-1	A-1	
	SA35GG/T	P-1	M-1	B-1	D-1	H-1	L-1	A-1	
	SA35GH/T	P-1	M-1	B-1	D-1	H-1	L-1	A-1	
	SA35GK/BI	P-1	M-1	B-1	D-1	H-1	L-1	A-1	
	SA36GA/BI	P-1	M-1	B-1	D-1	H-1	L-1	A-1	
	SA36GG/BI	P-1	M-1	B-1	D-1	H-1	L-1	A-1	
	SA36GG/T	P-1	M-1	B-1	D-1	H-1	L-1	A-1	
	SA36GH/BI	P-1	M-1	B-1	D-1	H-1	L-1	A-1	
	SA36GK/BI	P-1	M-1	B-1	D-1	H-1	L-1	A-1	
	SA36GW/BI	P-1	M-1	B-1	D-1	H-1	L-1	A-1	
	SA37GK/X	P-1	M-1	B-1	D-1	H-1	L-1	A-1	
	SA38GA/X	P-1	M-1	B-1	D-1	H-1	L-1	A-1	
	SA38GG/X	P-1	M-1	B-1	D-1	H-1	L-1	A-1	
	SA38GW/X	P-1	M-1	B-1	D-1	H-1	L-1	A-1	
	SB35FA/B	P-1	M-1	B-1	D-1	H-1	L-2	A-1	
	SB35FA/L	P-1	M-1	B-1	D-1	H-1	L-2	A-1	
	SB35FA/W	P-1	M-1	B-1	D-1	H-1	L-2	A-1	
	SB35FG/B	P-1	M-1	B-1	D-1	H-1	L-2	A-1	



		Palmrest	Main Board	Bottom	ODD	HDD	LCD	Accessories	Spec
AP	SB35FG/L	P-1	M-1	B-1	D-1	H-1	L-2	A-1	
	SB35FH/S	P-1	M-1	B-1	D-1	H-1	L-2	A-1	
	SB35FG/P	P-1	M-1	B-1	D-1	H-1	L-2	A-1	
	SB35FG/R	P-1	M-1	B-1	D-1	H-1	L-2	A-1	
	SB35FG/S	P-1	M-1	B-1	D-1	H-1	L-2	A-1	
	SB35FG/W	P-1	M-1	B-1	D-1	H-1	L-2	A-1	
	SB35FH/L	P-1	M-1	B-1	D-1	H-1	L-2	A-1	
	SB35FH/P	P-1	M-1	B-1	D-1	H-1	L-2	A-1	
	SB35FW/B	P-1	M-1	B-1	D-1	H-1	L-2	A-1	
	SB35FW/L	P-1	M-1	B-1	D-1	H-1	L-2	A-1	
	SB35FW/P	P-1	M-1	B-1	D-1	H-1	L-2	A-1	
	SB35FW/R	P-1	M-1	B-1	D-1	H-1	L-2	A-1	
	SB35FW/S	P-1	M-1	B-1	D-1	H-1	L-2	A-1	
	SB35FW/W	P-1	M-1	B-1	D-1	H-1	L-2	A-1	
	SB36FA/B	P-1	M-1	B-1	D-1	H-1	L-2	A-1	
	SB36FA/L	P-1	M-1	B-1	D-1	H-1	L-2	A-1	
	SB36FA/R	P-1	M-1	B-1	D-1	H-1	L-2	A-1	
	SB36FA/S	P-1	M-1	B-1	D-1	H-1	L-2	A-1	
	SB36FF/B	P-1	M-1	B-1	D-1	H-1	L-2	A-1	
	SB36FG/B	P-1	M-1	B-1	D-1	H-1	L-2	A-1	
	SB36FG/L	P-1	M-1	B-1	D-1	H-1	L-2	A-1	
	SB36FG/P	P-1	M-1	B-1	D-1	H-1	L-2	A-1	
	SB36FG/R	P-1	M-1	B-1	D-1	H-1	L-2	A-1	
	SB36FG/S	P-1	M-1	B-1	D-1	H-1	L-2	A-1	
	SB36FG/W	P-1	M-1	B-1	D-1	H-1	L-2	A-1	
	SB36FH/P	P-1	M-1	B-1	D-1	H-1	L-2	A-1	
	SB36FH/R	P-1	M-1	B-1	D-1	H-1	L-2	A-1	
	SB36FH/W	P-1	M-1	B-1	D-1	H-1	L-2	A-1	
	SB36FK/B	P-1	M-1	B-1	D-1	H-1	L-2	A-1	
	SB36FK/P	P-1	M-1	B-1	D-1	H-1	L-2	A-1	
	SB36FK/W	P-1	M-1	B-1	D-1	H-1	L-2	A-1	
	SB36FN/B	P-1	M-1	B-1	D-1	H-1	L-2	A-1	
	SB36FN/L	P-1	M-1	B-1	D-1	H-1	L-2	A-1	
	SB36FN/P	P-1	M-1	B-1	D-1	H-1	L-2	A-1	
SB36FN/S	P-1	M-1	B-1	D-1	H-1	L-2	A-1		
SB36FW/B	P-1	M-1	B-1	D-1	H-1	L-2	A-1		
SB36FW/P	P-1	M-1	B-1	D-1	H-1	L-2	A-1		
SB36FW/W	P-1	M-1	B-1	D-1	H-1	L-2	A-1		
SB37GA/B	P-1	M-1	B-1	D-1	H-1	L-2	A-1		
SB37GG/B	P-1	M-1	B-1	D-1	H-1	L-2	A-1		
SB37GG/S	P-1	M-1	B-1	D-1	H-1	L-2	A-1		
SB37GH/B	P-1	M-1	B-1	D-1	H-1	L-2	A-1		
SB37GK/B	P-1	M-1	B-1	D-1	H-1	L-2	A-1		
SB37GW/S	P-1	M-1	B-1	D-1	H-1	L-2	A-1		
SB38GA/B	P-1	M-1	B-1	D-1	H-1	L-2	A-1		
SB38GF/B	P-1	M-1	B-1	D-1	H-1	L-2	A-1		
SB38GG/B	P-1	M-1	B-1	D-1	H-1	L-2	A-1		
SB38GG/S	P-1	M-1	B-1	D-1	H-1	L-2	A-1		
SB38GH/B	P-1	M-1	B-1	D-1	H-1	L-2	A-1		
SB38GW/B	P-1	M-1	B-1	D-1	H-1	L-2	A-1		
CN	SA300C*	P-1	M-1	B-1	D-1	H-1	L-1	A-1	
	SD300C*	P-1	M-1	B-1	D-1	H-1	L-2	A-1	

*: CTO Model

Note

- Parts List is attached on the upper right portion of each EXPLODED VIEW.
- Items marked “*” are not stocked since they are seldom required for routine service. Some delay should be anticipated when ordering these items.
- The parts marks “\$” are the Reuse Parts.
- The parts marks with “&” indicates specific parts handling for Japan region. Disregard “&” marking for other than Japan region.
- Color after description in [] shows color variation name of the main body.
- The model that is accompanied by asterisk (*) is the CTO model.
- Description of [***MBx2], [***MB], [***GBx2], [***GB] indicates the following.
 MB/GB: size of the part
 x2: installed quantity at original production
- Be sure to use the parts marked with / together with the parts with the same number.
- When replacing the HDD of RAID setting, please exchange to the same HDD that was installed.

Basically, the parts marked “●” should be used for service.
 The parts marked “□” in the parts list are substitution parts.
 If the part marked “●” is not available, you can order the parts marked “□”, but it may not be stocked.

The components identified by mark ! or dotted line with mark ! are critical for safety. Replace only with part number specified.	Les composants identifiés par une marque ! sont critiques pour la sécurité. Ne les remplacer que par une pièce portant le numéro spécifié.
--	--

The components identified by mark contain confidential information.
 Strictly follow the instructions whenever the components repaired and/or replaced.

- If there is the Remarks column in the parts list, the features of applicable models are indicated in it for the parts that are different depending on each model.
 For the abbreviations used in the remarks column, please refer to the <table 1>.

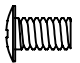
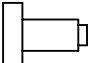











<table 1>

Full-Name	Short-Name
Bluetooth	BT
Felica	Felica
Wireless WAN	WAN
Wireless LAN	WLAN
1seg Tuner	1seg
Finger Print Sensor	FP
Security Chip	TPM
Flash Memory	F Mem
Camera	Camera
Touchscreen Panel	Touchscreen
Transfer Jet	T-Jet

- If “No-” is described on the left side of the Short-Name, it means ‘not equipped’.
 Example: “No-BT” “No-Felica” etc.
- When several descriptions are listed, each description is separated with “,” (comma) or “or”. “Comma” means plus.
 Example.1: The parts for the model equipped with BT and Felica and WLAN →BT, Felica, WLAN
 Example.2: The parts for the model equipped with BT or Felica →BT or Felica
- If the color is in the remarks column, it indicates the color of parts itself.

S-1. Screws

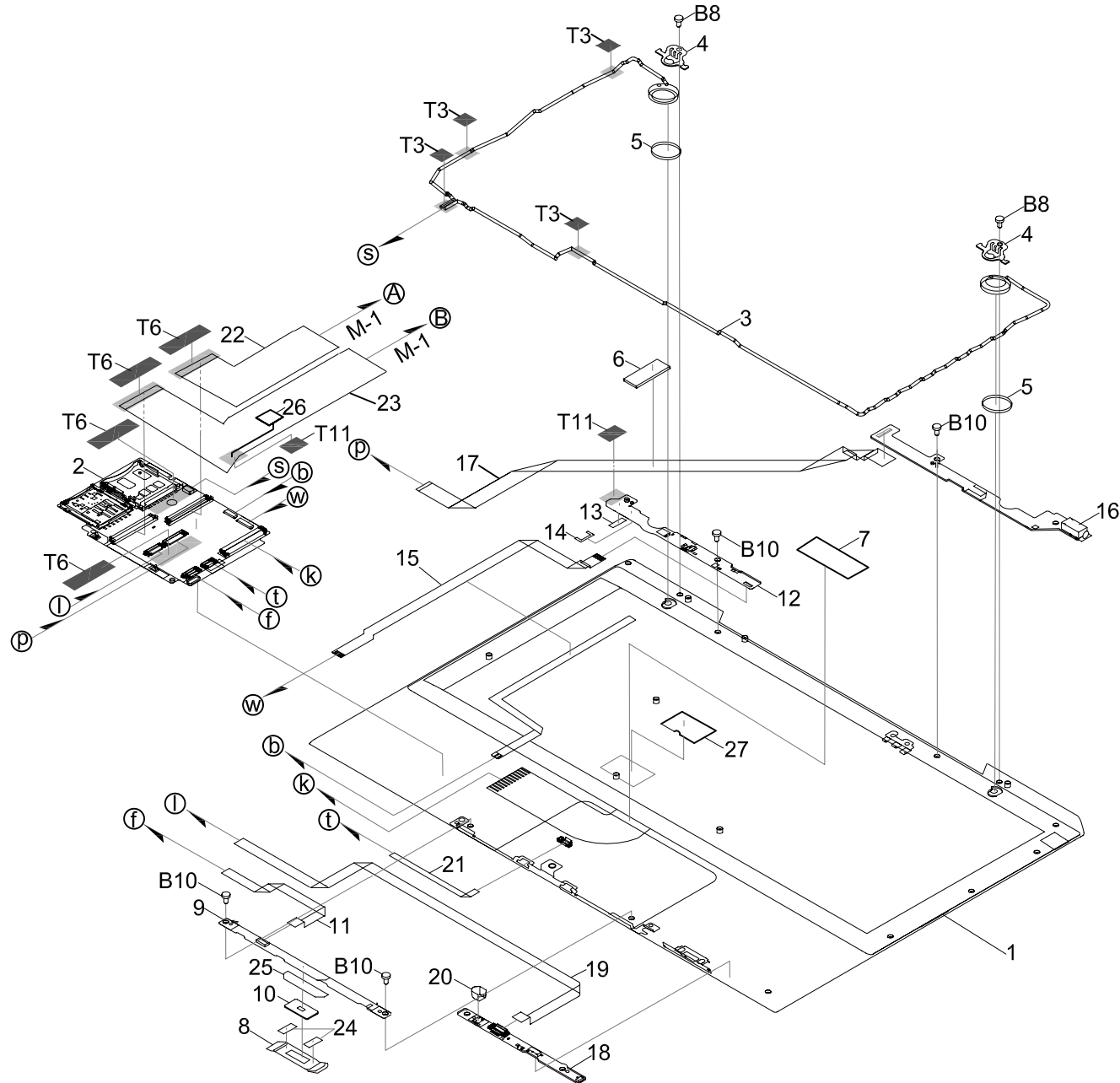
- Double-click on the paper clip mark to open the parts list.
- To open the parts list, Microsoft office Excel or Excel viewer is required.

B1	B2	B3	B4	B5	B6	B7	B8	B9	B10	B11	B13	B14
												
M1.7*L3 Sliver	M1.7*L3.5 Black	M2*L2 Sliver	M2*L2.5 Sliver	M2*L2.5 Sliver	M2*L2.5 Black	M2*L3 Sliver	M2*L3 Black	M3*L3 Sliver	M2*L3.5 Sliver	M2*L6 Black	M1.7*L2.5 Sliver	M2*L2.5 Sliver

P-1. Palmrest

Parts List

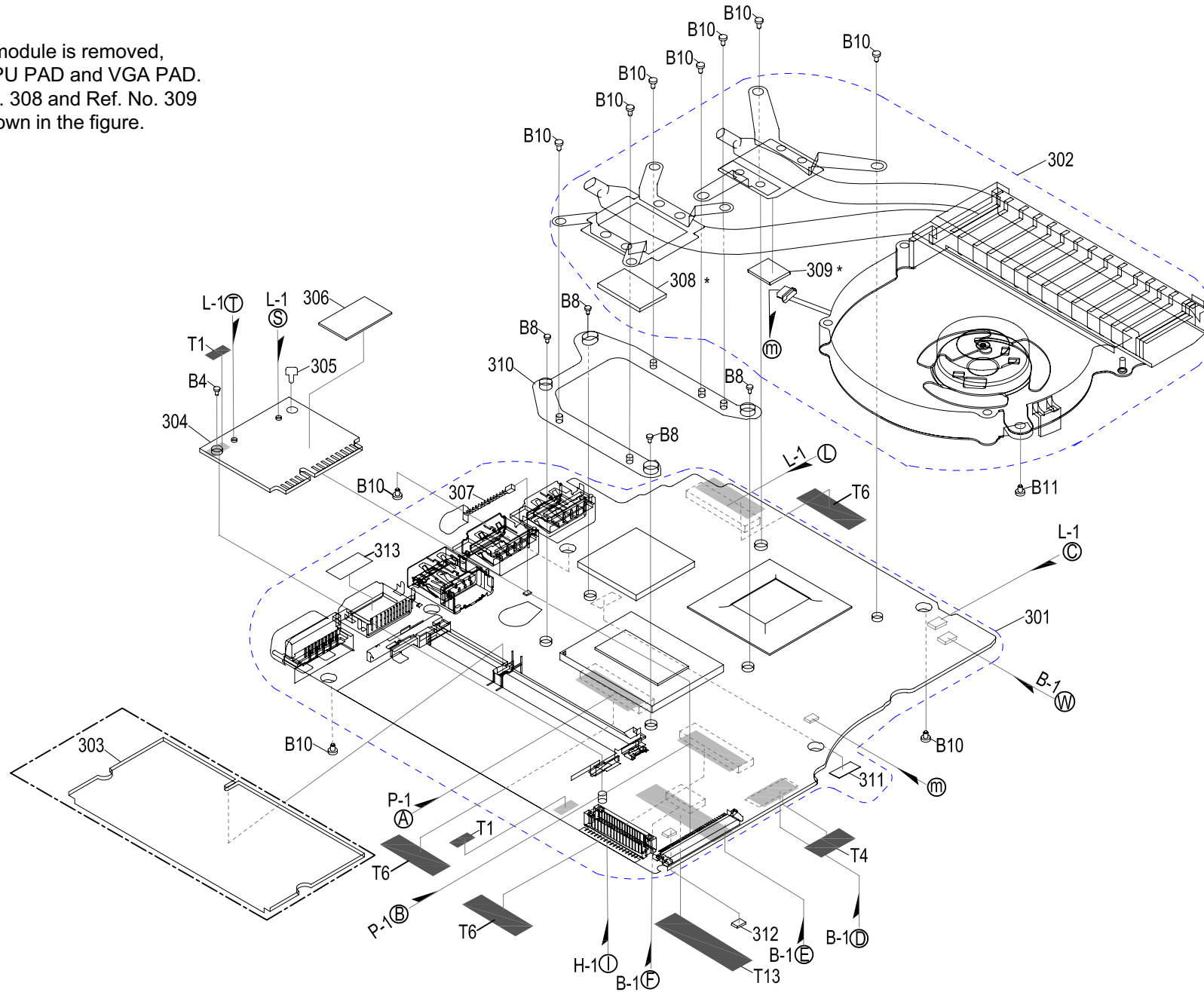
- Double-click on the paper clip mark to open the parts list.
- To open the parts list, Microsoft office Excel or Excel viewer is required.



M-1. Main Board

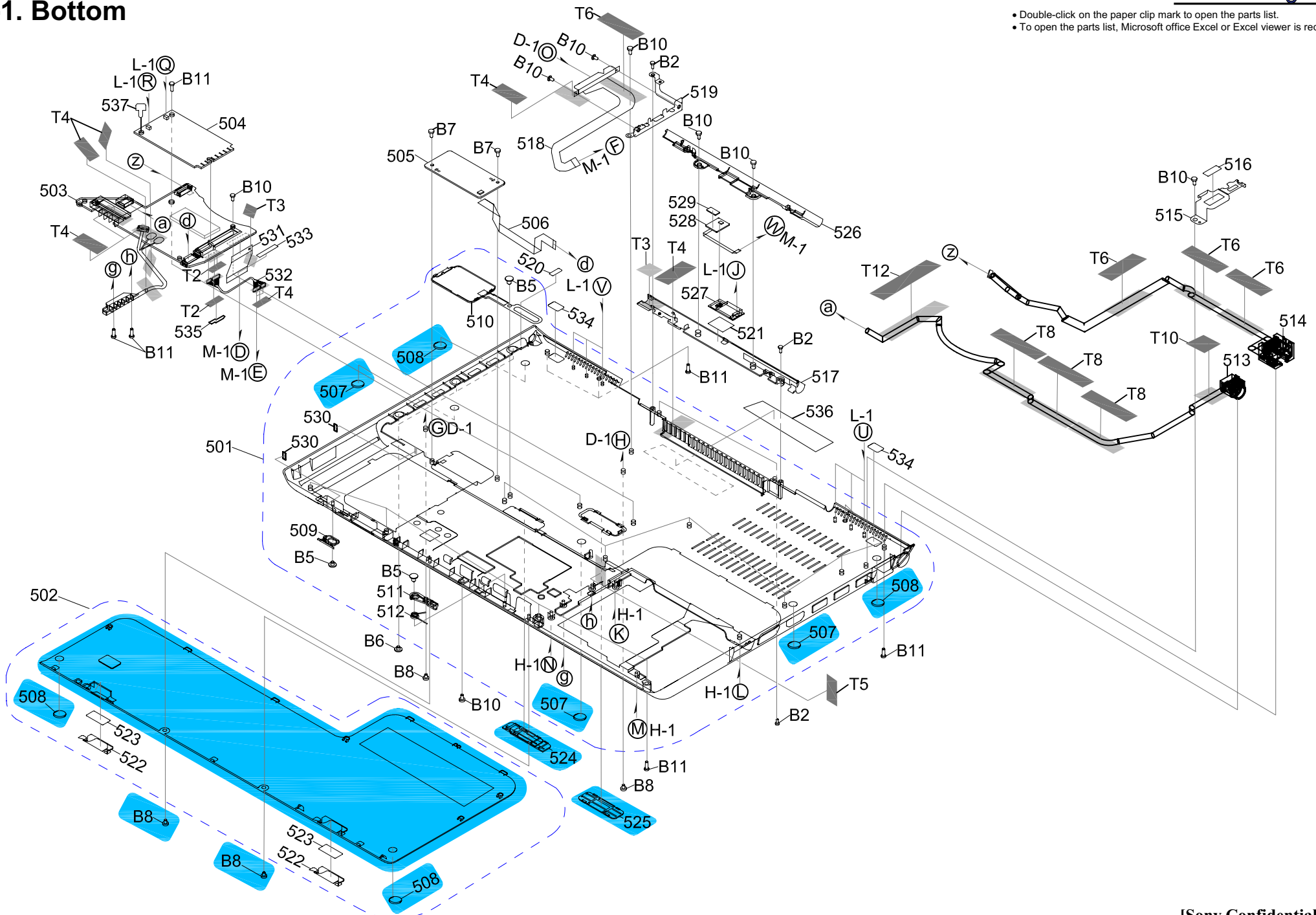
- Double-click on the paper clip mark to open the parts list.
- To open the parts list, Microsoft office Excel or Excel viewer is required.

* When thermal module is removed, clean off the CPU PAD and VGA PAD. Put the Ref. No. 308 and Ref. No. 309 to the place shown in the figure.

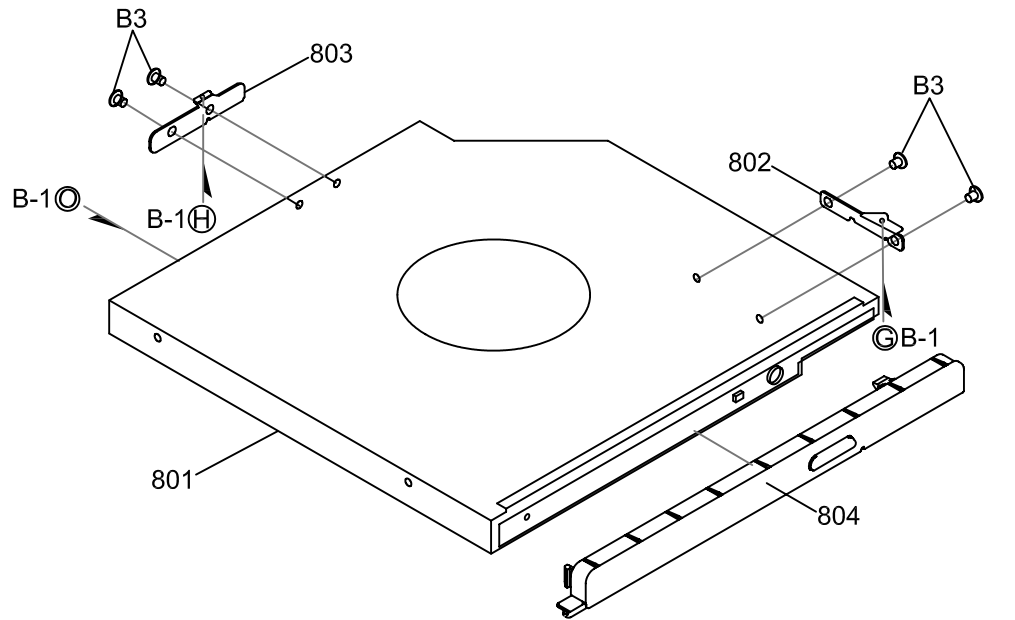


B-1. Bottom

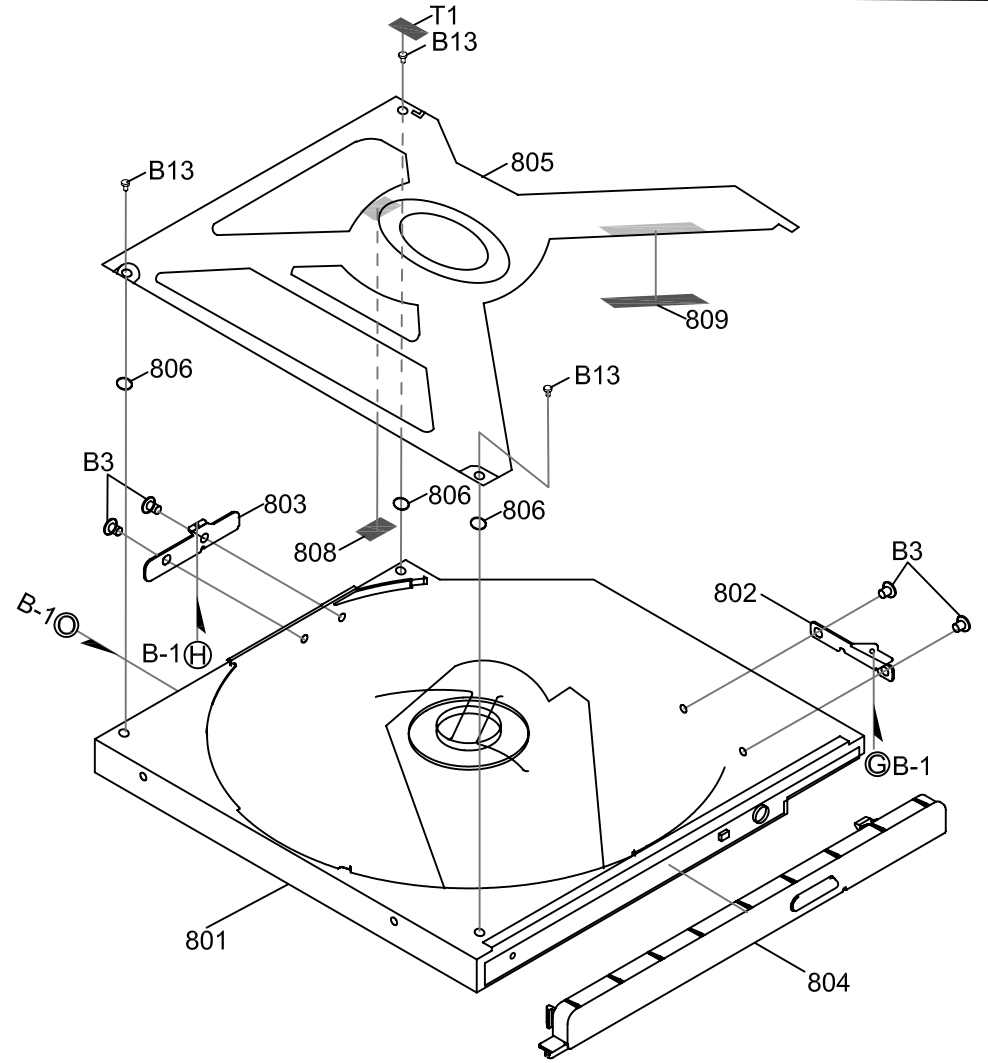
- Double-click on the paper clip mark to open the parts list.
- To open the parts list, Microsoft office Excel or Excel viewer is required.



- Double-click on the paper clip mark to open the parts list.
- To open the parts list, Microsoft office Excel or Excel viewer is required.



For common ODD

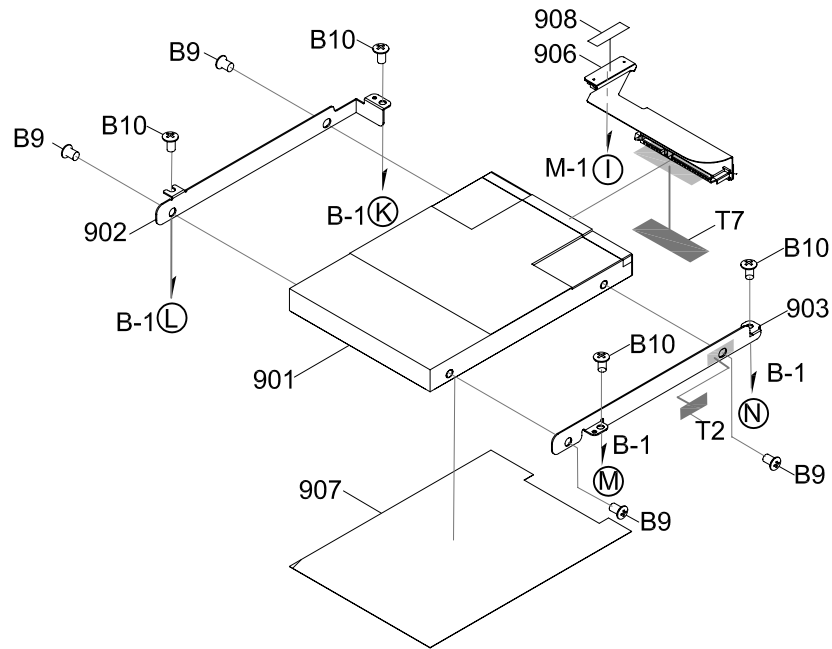


For Top CoverLess ODD

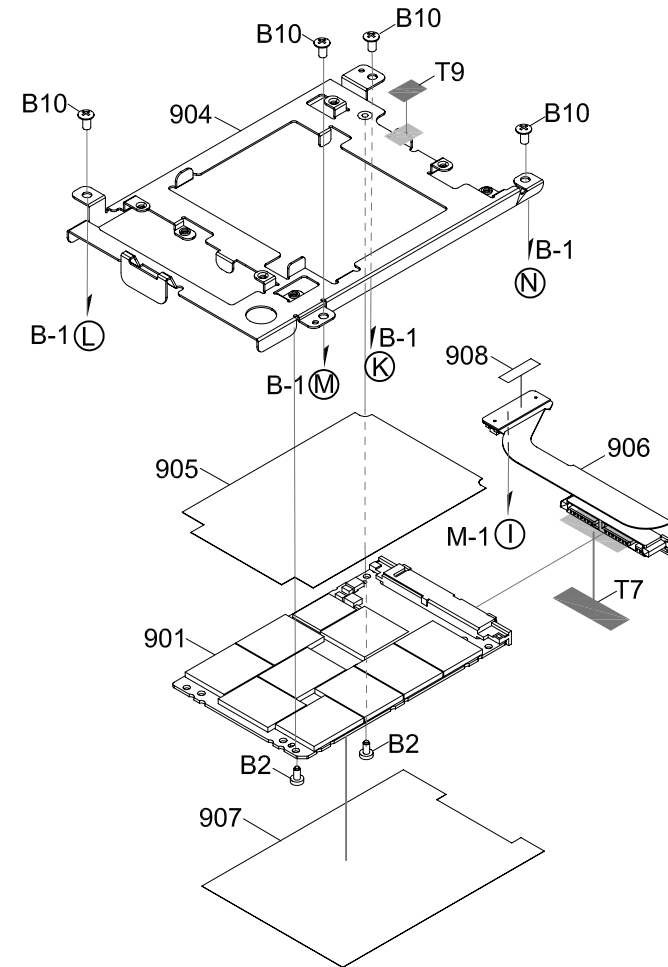
H-1. HDD

Parts List

- Double-click on the paper clip mark to open the parts list.
- To open the parts list, Microsoft office Excel or Excel viewer is required.



For HDD

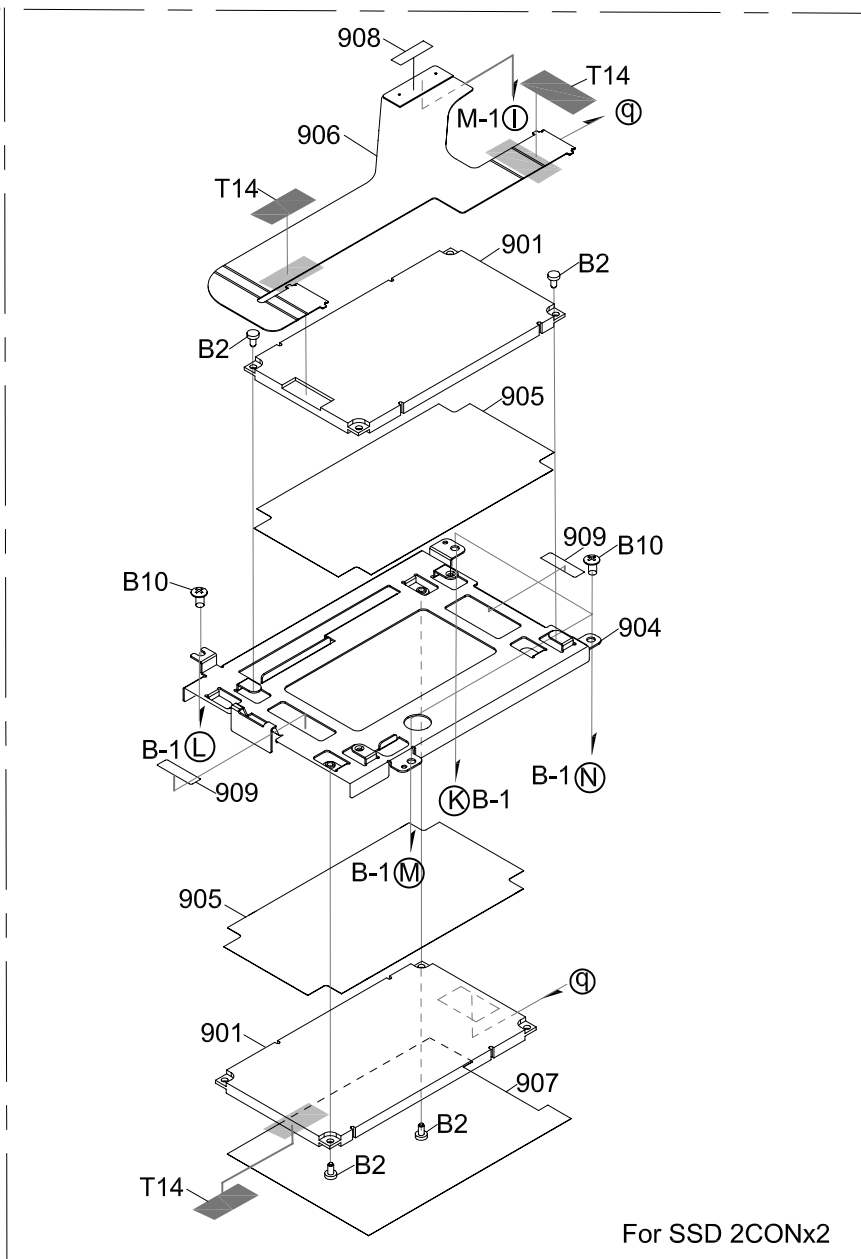
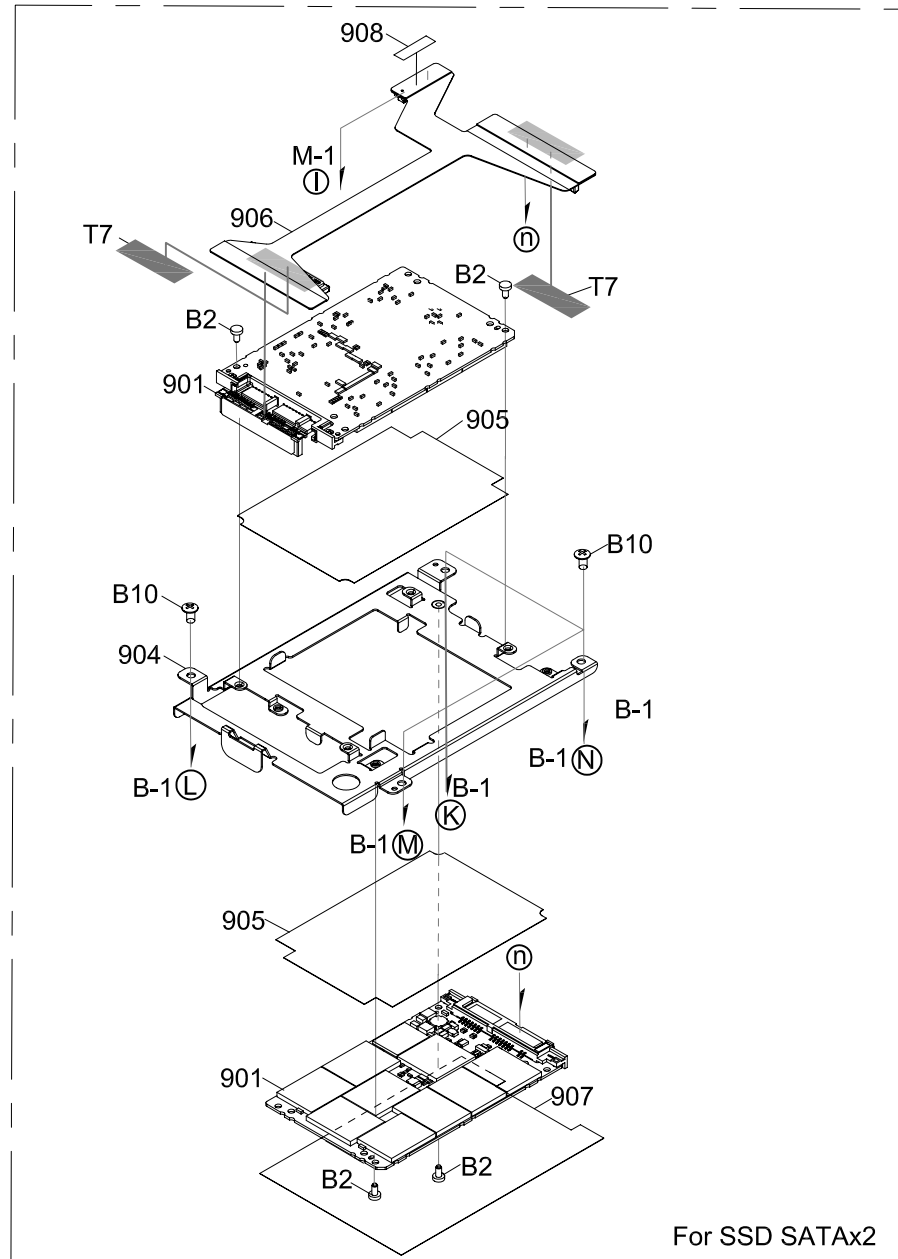


For SSD SATAx1

H-1. HDD

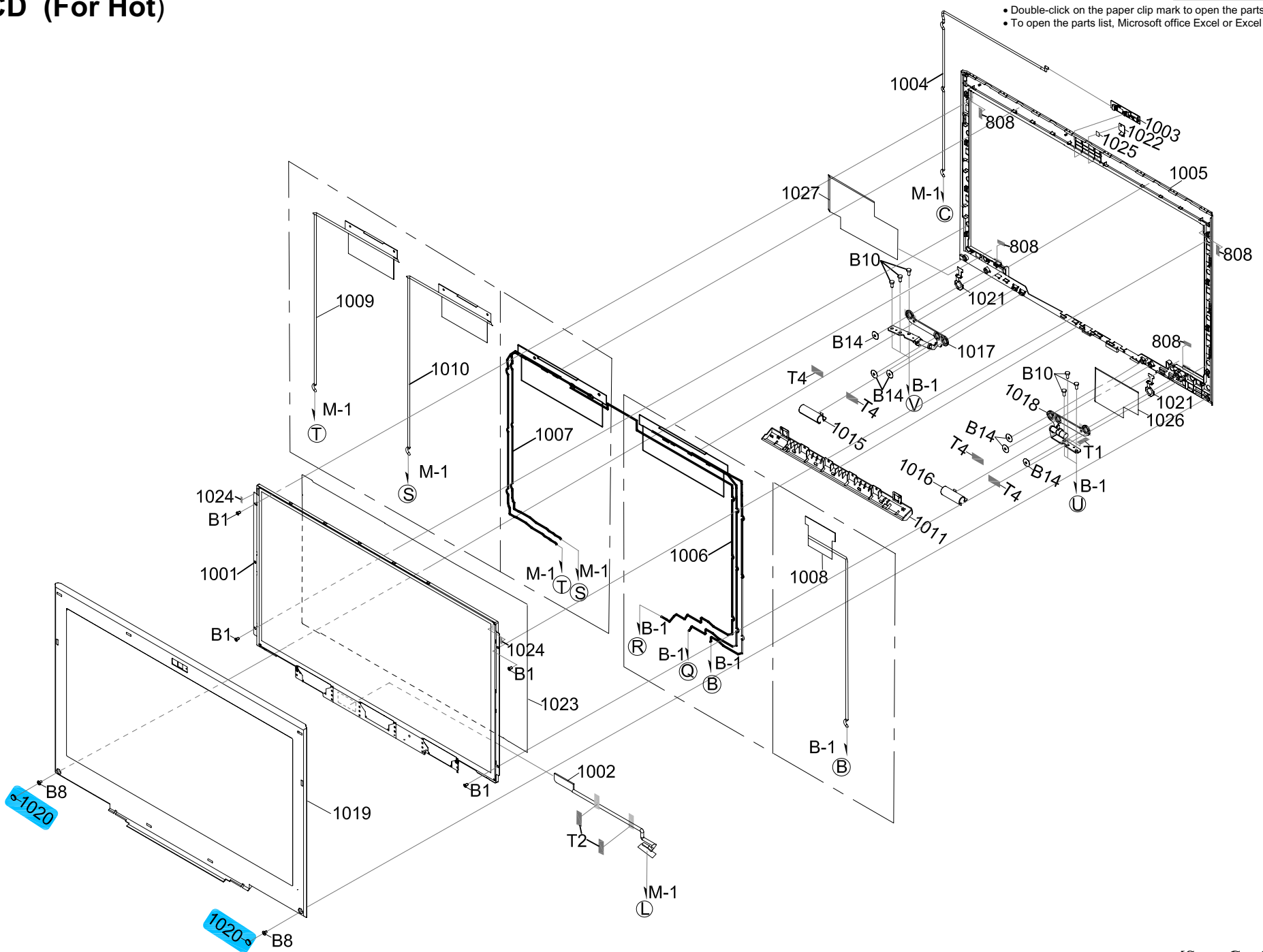
Parts List

- Double-click on the paper clip mark to open the parts list.
- To open the parts list, Microsoft office Excel or Excel viewer is required.



L-1. LCD (For Hot)

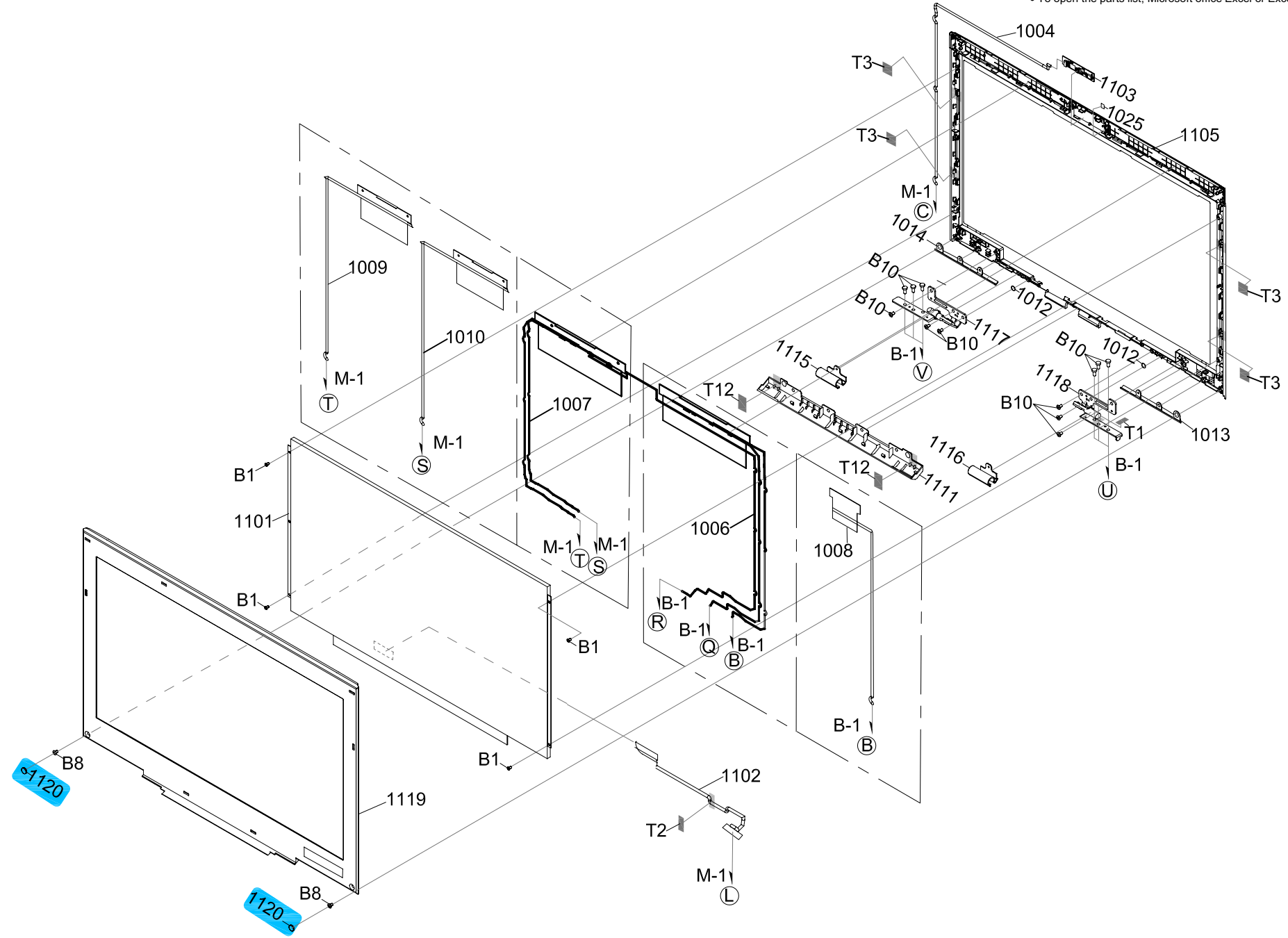
- Double-click on the paper clip mark to open the parts list.
- To open the parts list, Microsoft office Excel or Excel viewer is required.



L-2. LCD (For Mild)

Parts List

- Double-click on the paper clip mark to open the parts list.
- To open the parts list, Microsoft office Excel or Excel viewer is required.



A-1. Accessories

- Double-click on the paper clip mark to open the parts list.
- To open the parts list, Microsoft office Excel or Excel viewer is required.

2005
Power Cord



2006
AC Adapter



2006
AC Adapter(Stick Type)



2007
Battery Pack



2008
Extended Battery



2009
Battery Adapter



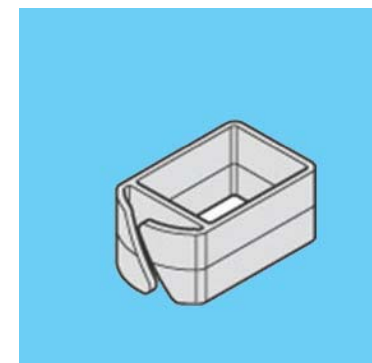
2010
Cleaning Cloth



2011
Carrying Pouch

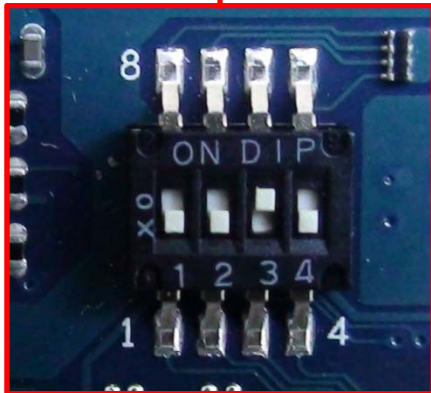
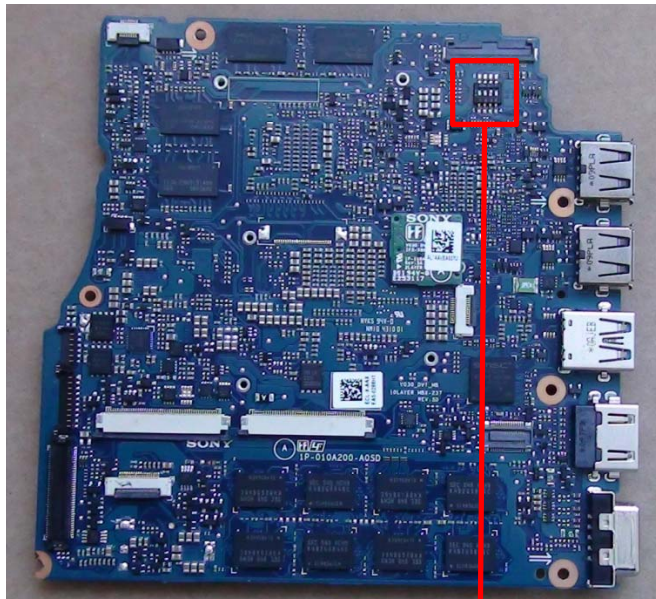


2012
Cable Clip



LCD DIP Switch

LCD DIP Switch Location



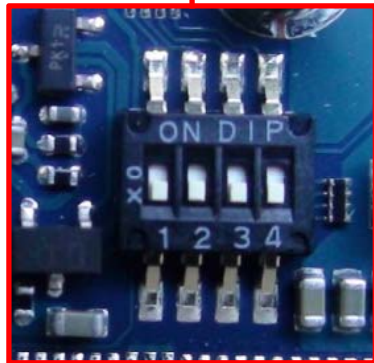
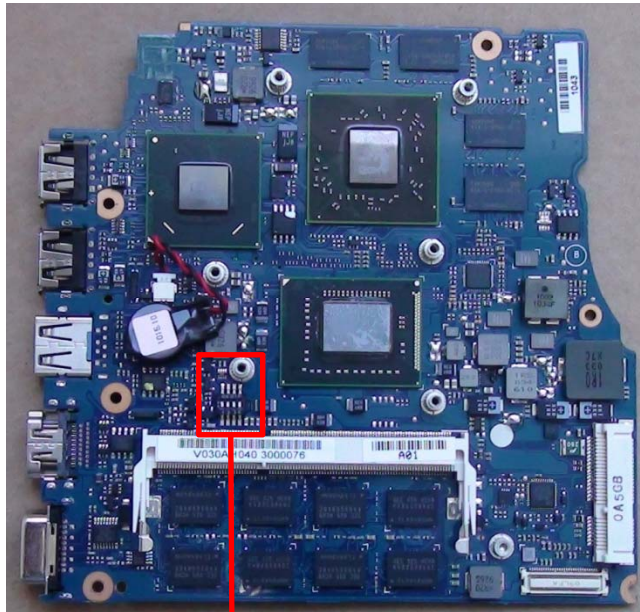
Note: There are four DIP Switches.
 When the model has Anti-theft Technology, adjust the fourth "ON";
 When the model hasn't Anti-theft Technology, adjust the fourth "OFF".

DIP switch setting is different by the type of LCD.
 For setting method, please refer to the table.

<p>VPCSB38FJ/SB39FJ/SB3AJ* (JP) VPCSA390X*/SB31FX/SB33GX/SB35FX/SB390X* (US) VPCSB31FD/SB35FB/SB35FL/SB390L*/SB390S* (PA) VPCSA3C5E*/SB3C5E*/SB3L9E/SB3M1R/SB3M9E/SB3N9E/SB3Q9E/ SB3S9E/SB3T9E/SB3V9E/SB3V9R/SB3X9E/SB3Z9E/SB3Z9R (EU) VPCSB35FA/SB35FG/SB35FH/SB35FW/SB36FA/SB36FF/SB36FG/ SB36FH/SB36FK/SB36FN/SB36FW/SB37GA/SB37GG/SB37GH/SB37GK/ SB37GW/SB38GA/SB38GF/SB38GG/SB38GH/SB38GW (AP) VPCSD300C* (CN)</p> <p>13.3/1366X768/LED/CLEARLIKEAG/FLAT (CMI) (A-1827-250-A/A-1827-250-B/A-1875-632-A)</p>	<p>VPCSB38FJ/SB39FJ/SB3AJ* (JP) VPCSA390X*/SB31FX/SB33GX/SB35FX/SB390X* (US) VPCSB31FD/SB35FB/SB35FL/SB390L*/SB390S* (PA) VPCSA3C5E*/SB3C5E*/SB3L9E/SB3M1R/SB3M9E/SB3N9E/SB3Q9E/ SB3S9E/SB3T9E/SB3V9E/SB3V9R/SB3X9E/SB3Z9E/SB3Z9R (EU) VPCSB35FA/SB35FG/SB35FH/SB36FA/SB36FF/SB36FG/SB36FH/SB36FN/ SB37GA/SB37GG/SB37GH/SB38GA/SB38GF/SB38GG/SB38GH (AP) VPCSD300C* (CN)</p> <p>13.3/1366X768/LED/CLEARLIKEAG/FLAT (AUO) (A-1827-251-A/A-1827-251-B)</p>
<p>VPCSB38FJ/SB39FJ/SB3AJ* (JP) VPCSA390X*/SB31FX/SB33GX/SB35FX/SB390X* (US) VPCSB31FD/SB35FB/SB35FL/SB390L*/SB390S* (PA) VPCSA3C5E*/SB3C5E*/SB3L9E/SB3M1R/SB3M9E/SB3N9E/SB3Q9E/ SB3S9E/SB3T9E/SB3V9E/SB3V9R/SB3X9E/SB3Z9E/SB3Z9R (EU) VPCSB35FA/SB35FG/SB35FH/SB36FA/SB36FF/SB36FG/SB36FH/SB36FN/ SB37GA/SB37GG/SB37GH/SB38GA/SB38GF/SB38GG/SB38GH (AP) VPCSD300C* (CN)</p> <p>13.3/1366X768/LED/CLEARLIKEAG/FLAT (CPT) (A-1827-252-A)</p>	<p>VPCSA3AJ* (JP) VPCSA31FX/SA31GX/SA33GX/SA35GX/SA390X*/SA3AFX/SB390X* (US) VPCSA31GS/SA33GS/SA35GB/SA35GL/SA390S*(PA) VPCSA3C5E*/SA3J1E/SA3L9E/SA3M9E/SA3N9E/SA3Q9E/SA3S9E/SA3S9R/ SA3T9E/SA3V9E/SA3X9E/SA3X9R/SA3Z9E/SA3Z9R/SB3C5E* (EU) VPCSA33GW/SA35GG/SA35GH/SA35GK/SA36GA/SA36GG/SA36GH/ SA36GK/SA36GW/SA37GK/SA38GA/SA38GG/SA38GW (AP) VPCSA300C* (CN)</p> <p>13.3/1600X900/LED/CLEARLIKEAG/FLAT (CPT) (A-1827-253-A)</p>
<p>VPCSC31FM (US)</p> <p>13.3/1366X768/LED/CLEARLIKEAG/FLAT (CMI) (A-1827-250-A/A-1827-250-B)</p>	<p>VPCSC31FM (US)</p> <p>13.3/1366X768/LED/CLEARLIKEAG/FLAT (AUO) (A-1827-251-A/A-1827-251-B)</p>
<p>VPCSC31FM (US)</p> <p>13.3/1366X768/LED/CLEARLIKEAG/FLAT (CPT) (A-1827-252-A)</p>	

WWAN DIP Switch

WWAN DIP Switch Location

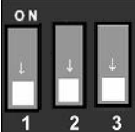
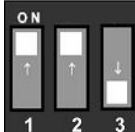
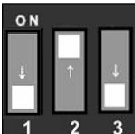


Note: There are four DIP Switches.



1. The first three ones is used for WWAN Card setting.
2. The fourth one is used for WLAN Card setting.
 - a. When the WLAN card with Bluetooth, adjust the fourth switch "ON".
 - b. When the WLAN card without Bluetooth, adjust the fourth switch "OFF"

DIP switch setting is different by the type of WWAN.
For setting method, please refer to the table.

1. The first three ones is used for WWAN Card setting.

<p>VPCSB38FJ/SB38FJ/SB38FJ/SB38FJ/SB39FJ (JP) VPCSA31FX/SA31GX/SA33GX/SA3AFX/SB31FX/SB33GX/SB35FX/SC31FM (US) VPCSA31GS/SA33GS/SA35GB/SA35GL/SA390S*/SB31FD/SB35FB/SB35FL/SB390L*/SB390S* (PA) VPCSA3J1E/SB3L9E/SB3M1R/SB3N9E/SB3Q9E/SB3T9E/SB3V9R/SB3Z9R (EU) VPCSA33GW/SA35GG/SA35GH/SA35GK/SA36GA/SA36GG/SA36GH/SA36GK/SA36GW/SA37GK/SB35FA/SB35FG/SB35FH/SB35FW/SB36FA/ SB36FF/SB36FG/SB36FH/SB36FK/SB36FN/SB36FW/SB37GA/SB37GG/SB37GH/SB37GK/SB37GW/SB38GA/SB38GF/SB38GG/SB38GH/SB38GW (AP)</p> <p>Without WWAN CARD</p> 
<p>VPCSA3AJ*/SB3AJ* (JP) VPCSA35GX/SA390X*/SB390X* (US)</p> <p>With WWAN CARD (A-1850-708-A/A-1850-708-B/A-1850-709-C)</p> 
<p>VPCSA3C5E*/SA3L9E/SA3M9E/SA3N9E/SA3Q9E/SA3S9E/SA3S9R/SA3T9E/SA3V9E/SA3X9E/SA3X9R/SA3Z9E/SA3Z9R/SA3Z9R/SB3C5E*/SB3M9E/ SB3M9E/SB3S9E/SB3V9E/SB3X9E/SB3Z9E (EU) VPCSA38GA/SA38GG/SA38GW (AP) VPCSA300C*/SD300C* (CN)</p> <p>With WWAN CARD (A-1850-708-A/A-1850-708-B/A-1850-710-A)</p> 

2. The fourth one is used for WLAN Card setting.

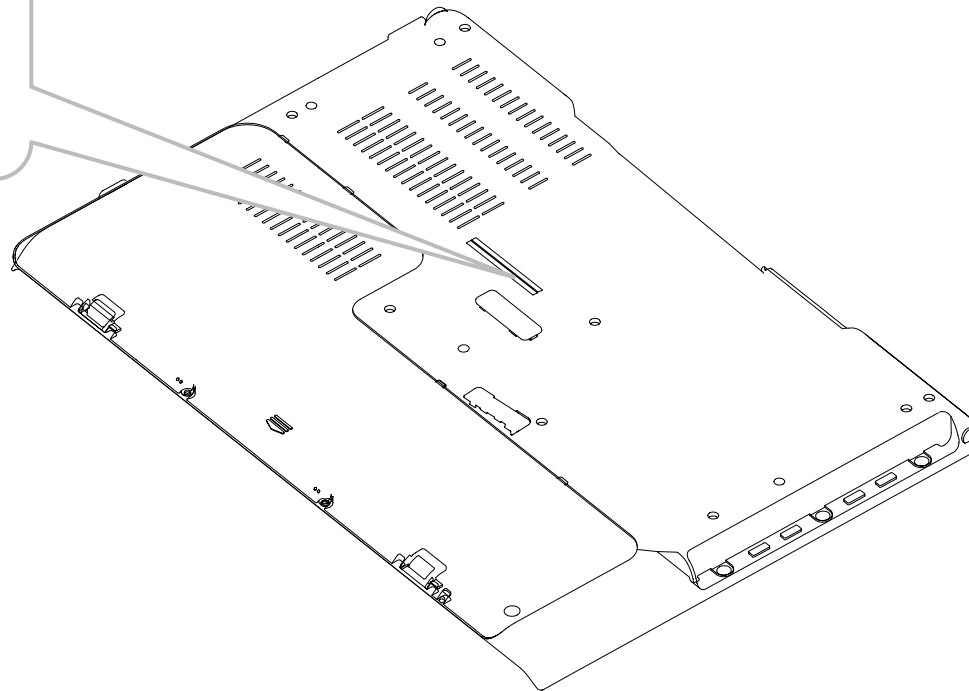
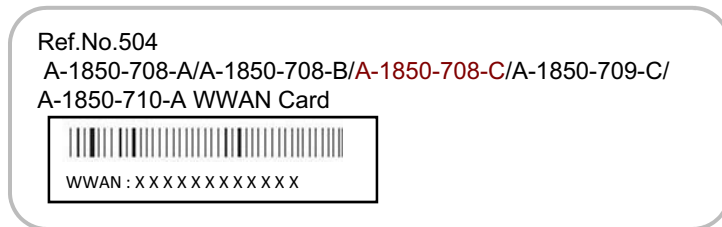
<p>VPCSA31FX/SA31GX/SA33GX/SA35GX/SA390X*/SA3AFX/SB31FX/SB33GX/SB35FX/ SB390X* (US) (PA) VPCSA3C5E*/SA3J1E/SA3L9E/SA3M9E/SA3N9E/SA3Q9E/SA3S9E/SA3T9E/SA3V9E/ SA3X9E/SA3Z9E/SB3C5E*/SB3L9E/SB3M1R/SB3M9E/SB3N9E/SB3Q9E/ SB3S9E/SB3T9E/SB3V9E/SB3X9E/SB3Z9E (EU) (AP) (CN)</p> <p>WLAN Card with Bluetooth (A-1875-892-A/A-1857-708-A/A-1840-259-A/A-1857-709-A)</p> 	<p>(JP) VPCSC31FM (US) VPCSA3S9R/SA3X9R/SA3Z9R/SB3V9R/SB3Z9R (EU)</p> <p>WLAN Card without Bluetooth (A-1807-784-A/A-1881-561-A/A-1875-893-A/A-1857-707-A/ A-1839-995-A/A-1880-010-A)</p> 
---	---

CHAPTER4. OTHERS

4-1.Note for WWAN Board Replacement

When replacing the WWAN Board (Ref.504 A-1850-708-A/A-1850-708-B/A-1850-708-C/A-1850-709-C/A-1850-710-A), change the barcode label on the bottom.

1. Peel off the barcode label which is attached to the bottom. (Refer to the figure below.)

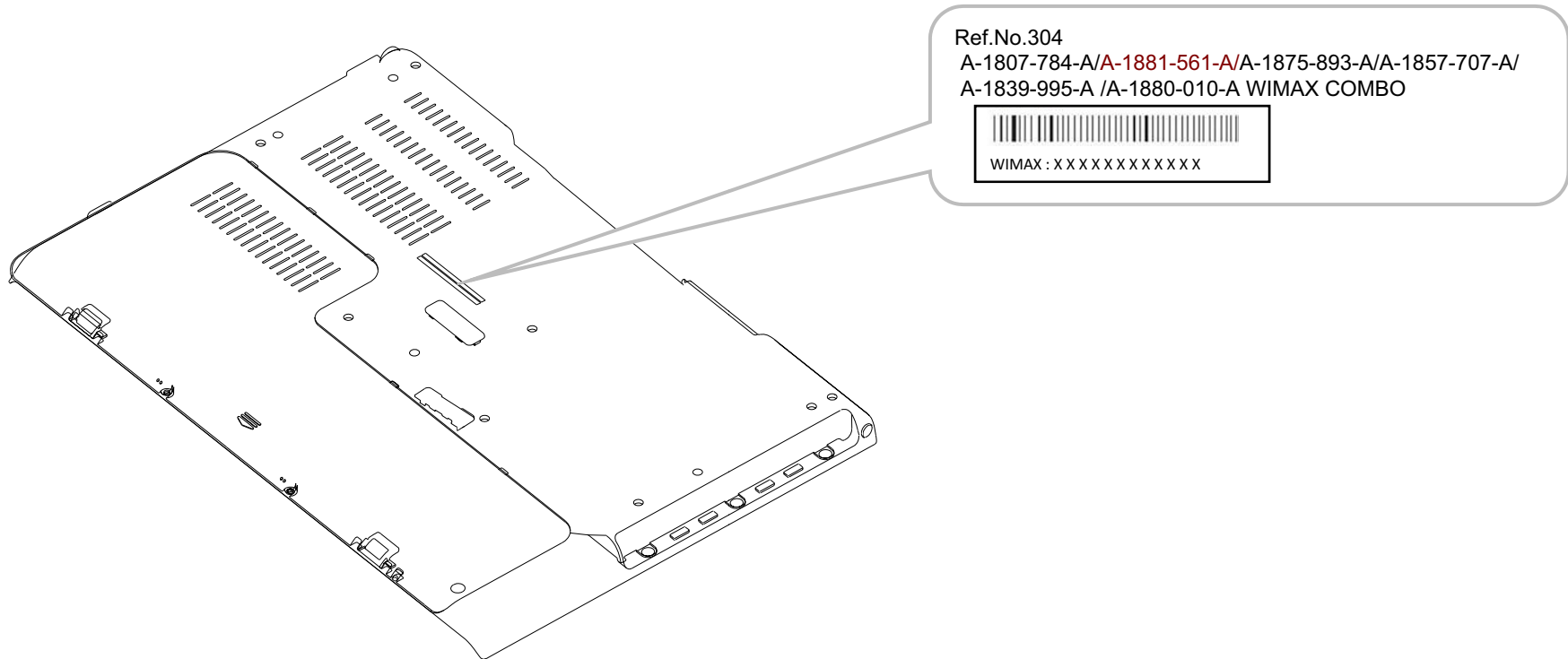


2. Attach the barcode label which is included with the WWAN Board to the position where you peeled off the label in the step 1.

4-2.Note for WIMAX Board Replacement

When replacing the WIMAX Board (Ref.304 A-1807-784-A/A-1881-561-A/A-1875-893-A/A-1857-707-A/A-1839-995-A/A-1880-010-A), change the barcode label on the bottom.

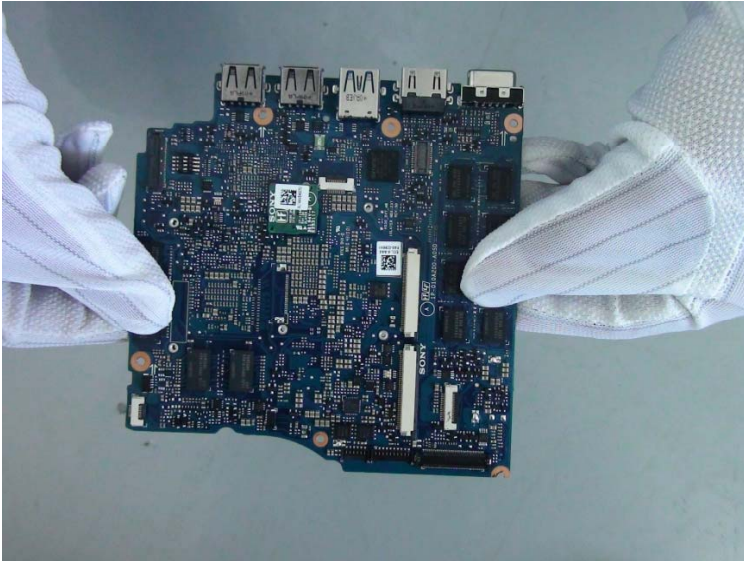
1. Peel off the barcode label which is attached to the bottom. (Refer to the figure below.)



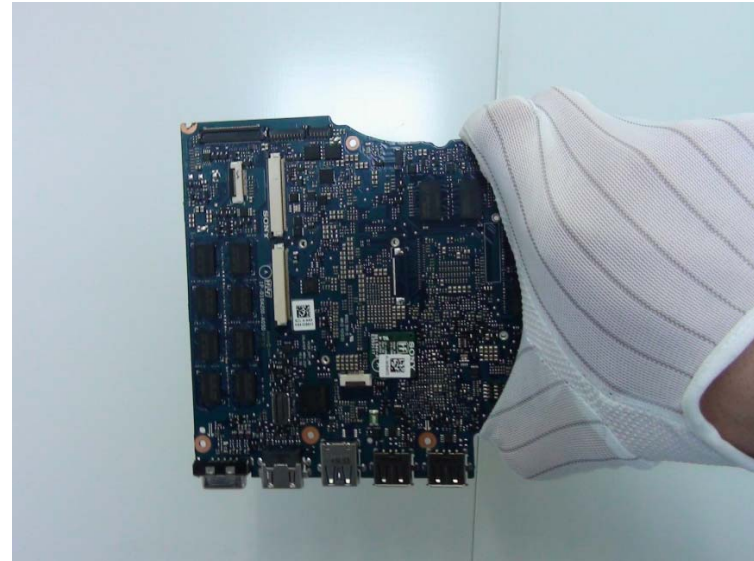
2. Attach the barcode label which is included with the WWAN Board to the position where you peeled off the label in the step 1.

4-3 Holding Method of Motherboard

1. When operating with both hands, gently hold the middle of Main board edge as show.
2. When operating with one-hand, gently hold the middle of Main board edge and keep vertical.



(Level)



(Vertical)



VPCSA/SB/SC/SD Series (JP/US/PA/EU/AP/CN)

This manual and the constituent data may not be replicated, copied nor reprinted in whole or in part without prior written authorization of Sony Corporation

Revision History

Suffix	Ver.	Date	Contents	QM No.
-01	Ver.1	2011.09.07	First Edition	
-02	Ver.2	2011.12.02	[ADD][DEL][COR] Page3-3,Page3-8,Page3-8(a),Page3-9,Page3-10,Page3-11	
-03	Ver.3	2011.12.12	[ADD][CHG][COR] Page3-4,Page3-5,Page3-6,Page3-7,Page3-8,Page3-8(a),Page3-9,Page3-10,Page3-11,Page3-12	
-04	Ver.4	2012.01.19	[ADD][DEL][COR] Page3-4,Page3-5,Page3-6,Page3-7,Page3-8,Page3-11,Page4-2	
-05	Ver.5	2012.05.09	[ADD][DEL][COR] Page3-4,Page3-5,Page3-6,Page3-8,Page3-13,Page4-1,Page4-2	
<Remarks>				

Free Manuals Download Website

<http://myh66.com>

<http://usermanuals.us>

<http://www.somanuals.com>

<http://www.4manuals.cc>

<http://www.manual-lib.com>

<http://www.404manual.com>

<http://www.luxmanual.com>

<http://aubethermostatmanual.com>

Golf course search by state

<http://golfingnear.com>

Email search by domain

<http://emailbydomain.com>

Auto manuals search

<http://auto.somanuals.com>

TV manuals search

<http://tv.somanuals.com>