

Digital Photo Printer

Operating Instructions

Before operating the unit, please read this manual thoroughly and retain it for future reference.

SnapLab

UP-CR20L



Owner's Record

The model and serial numbers are located at the rear.
Record these number in the space provided below.
Refer to these numbers whenever you call upon your Sony dealer regarding this product.

Model No. _____
Serial No. _____

WARNING

To reduce the risk of fire or electric shock, do not expose this apparatus to rain or moisture.

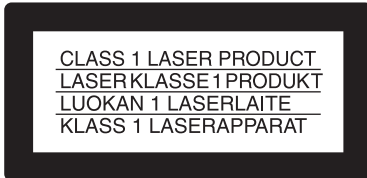
To avoid electrical shock, do not open the cabinet. Refer servicing to qualified personnel only.

THIS APPARATUS MUST BE EARTHED.

To disconnect the main power, unplug the AC IN connector.

CAUTION

Use of controls or adjustments or performance of procedures other than those specified herein may result in hazardous radiation exposure.



This digital photo printer is classified as CLASS 1 LASER PRODUCT.

CAUTION

The use of optical instruments with this product will increase eye hazard.

Warning on power connection

Use a proper power cord for your local power supply.

1. Use the approved Power Cord (3-core mains lead) / Appliance Connector / Plug with earthing-contacts that conforms to the safety regulations of each country if applicable.
2. Use the Power Cord (3-core mains lead) / Appliance Connector / Plug conforming to the proper ratings (Voltage, Ampere).

If you have questions on the use of the above Power Cord / Appliance Connector / Plug, please consult a qualified service personnel.

For the customers in the U.S.A.

This equipment has been tested and found to comply with the limits for a Class B digital device, pursuant to Part 15 of the FCC Rules. These limits are designed to provide reasonable protection against harmful interference in a residential installation. This equipment generates, uses, and can radiate radio frequency energy and, if not installed and used in accordance with the instructions, may cause harmful interference to radio communications. However, there is no guarantee that interference will not occur in a particular installation. If this equipment does cause harmful interference to radio or television reception, which can be determined by turning the equipment off and on, the user is encouraged to try to correct the interference by one or more of the following measures:

- Reorient or relocate the receiving antenna.
- Increase the separation between the equipment and receiver.
- Connect the equipment into an outlet on a circuit different from that to which the receiver is connected.
- Consult the dealer or an experienced radio/TV technician for help.

You are cautioned that any changes or modifications not expressly approved in this manual could void your authority to operate this equipment.

All interface cables used to connect peripherals must be shielded in order to comply with the limits for a digital device pursuant to Subpart B of Part 15 of FCC Rules.

If you have any questions about this product, you may call; Sony Customer Information Service Center 1-800-222-7669 or <http://www.sony.com/>

Declaration of Conformity

Trade Name : SONY
Model : UP-CR20L
Responsible Party : Sony Electronics Inc.
Address : 16530 Via Esprillo, San Diego,
CA 92127 U.S.A.
Telephone Number: 858-942-2230

This device complies with part 15 of the FCC Rules. Operation is subject to the following two conditions:
(1) this device may not cause harmful interference, and
(2) this device must accept any interference received, including interference that may cause undesired operation.

For the customers in Canada

This Class B digital apparatus complies with Canadian ICES-003.

For the customers in Europe

The manufacturer of this product is Sony Corporation, 1-7-1 Konan, Minato-ku, Tokyo, Japan.

The Authorized Representative for EMC and product safety is Sony Deutschland GmbH, Hedelfinger Strasse 61, 70327 Stuttgart, Germany.

For any service or guarantee matters, please refer to the addresses given in separate service or guarantee documents.

For kundene i Norge

Dette utstyret kan kobles til et IT-strømfordelingssystem.

For the customers in the U.S.A.

Lamp in this product contains mercury. Disposal of these materials may be regulated due to environmental considerations. For disposal or recycling information, please contact your local authorities or the Electronic Industries Alliance (www.eiae.org).

For the State of California, USA only

Perchlorate Material - special handling may apply, See www.dtsc.ca.gov/hazardouswaste/perchlorate

Perchlorate Material : Lithium battery contains perchlorate.

Table of Contents

Chapter 1 Outline

What This Product Can Do	8
Applications for This Printer	9
Print Services	10
Information Updates	10
Supported Media and File Formats	11

Chapter 2 Preparations

Supplied Accessories	12
Controls and Functions	13
Front	13
Rear	14
Installation	15
Connecting the Power Cord	15
Adjusting the Display Angle	15
Startup and Shutdown	16
Loading the Paper Roll and Ink Ribbon	17
Handling the paper roll and ink ribbon	17
Before Loading the Paper Roll and Ink Ribbon	17
Unlocking the Ribbon Door	18
Loading the Paper Roll and Ink Ribbon	18
Attaching the Scrap Receptacle	22
Attaching the Output Tray	22
Attaching the Output Cover	24
Checking the Remaining Ink Ribbon	24
Replacing the Paper Roll and Ink Ribbon	25
Unlocking the Ribbon Door	25
Removing the Paper Roll and Ink Ribbon	26
Loading the Paper Roll and Ink Ribbon	27
If the Ink Ribbon Breaks during Use	27

Chapter 3 Setup

Displaying the Administration Screen	29
About Operation Modes	30
Flow of Operations in Each Mode	31
Basic Settings Used in All Operation Modes	32
Selecting the Language	32
Setting the Time	33

Setting the Administrator Password	33
Selecting the Operation Mode	33
Settings in Full Mode and Quick Print Mode.....	34
Setting Prices	34
Setting the Passwords	36

Chapter 4 Advanced Settings

Band Pricing.....	37
Setting the Maximum Number of Prints	38
Using Budget Codes	39
Setting Cut Mode	40
Watermarking Order Numbers or File Names on Prints	41
Using Expansion CompactFlash Cards.....	41
Functions That Require an Expansion CompactFlash Card.....	41
Directory Structure for Expansion CompactFlash Folders	41
Installing a CompactFlash Card in the Unit	42
Checking the Remaining Capacity on the Expansion CompactFlash Card.....	42
Copying Data from the Supplied CD-ROM.....	42
Copying User Created Data.....	43
Deleting All Data on the Expansion CompactFlash Card.....	43
Setting Promotional Images	43
Adding Borders	44
Adding Text to Images	44
Printing with Watermarks (Watermark Lamination)	46
Creating Watermark Designs	46
Copying Image Data onto the Expansion CompactFlash Card	46
Printing with Watermarks	46
Setting Image Preload	47
Entering Passwords Using Memory Cards (Remote Password Input)	47
Preparing for Printing Using Bluetooth® Communication.....	48
Requirements for Bluetooth Communication.....	48
System Settings.....	48
Beep Setting	48
Options while Using Commercially Available Wireless Devices.....	48

Chapter 5 Maintenance

Cleaning.....	50
Cleaning the Interior.....	50
Cleaning the Ventilation Filter	52
Cleaning the Cabinet	53
Cleaning the Display	53

Setting the Printer Image Quality	53
Adjusting the Printer Image Quality	53
Adjusting the Gray Balance	53
Setting the Image Quality for an Expansion Printer.....	54
Displaying Logs	54
Displaying the Print Log	54
Displaying the Sales Log.....	55
Displaying the System Log	55
Adjusting the Touch Panel	56
Restoring the Factory Settings	56

Chapter 6 Operation

Starting Operation	57
Selecting and Printing Images	59
Using Border Print.....	60
Using Split Image Print	61
Using Index Print	62
Printing All Images	63
Confirming and Printing the Order	63
Canceling Print Operations	64
Image Editing	65
Specifying the Layout (Crop and Rotate).....	65
Inputting Text.....	66
Adjusting the Image Quality	67
Printing in Sepia or Black and White.....	67
Compensating for the Red Eye Effect.....	67
Selecting the Print Finish.....	68
Printing from Bluetooth-compatible Devices.....	69
Printing from DPOF Settings	70
Printing with Expansion Printers	71
Connecting the Expansion Printer to the Unit.....	71
Confirming Information Related to the Expansion Printer	71
Printing from the Expansion Printer.....	71
Adjusting the Image Quality for the Expansion Printer	72
Printing From a Computer	72
Installing the Printer Driver.....	72
Computer Connection Setting	72
Connecting to a Computer.....	73

Appendix

Precautions	74
Memory Cards.....	75
Notes on Using “Memory Stick”	75

Notes on Using Other Types of Memory Cards.....	76
Notes on USB Memory	77
Notes on CDs and DVDs.....	77
Troubleshooting	78
Ink Ribbon and Paper.....	79
Specifications	80

What This Product Can Do

This unit reads image data stored on a memory card, CD, or DVD and allows quick and easy printing of photos taken with a digital camera or other device.

The product has the following features.

Versatile print services

Besides regular photo printout, the unit can produce split image prints, prints with borders, and index prints. It also allows the user to edit images before printing with functions such as trimming and color adjustment. Order numbers and file names can be printed as a watermark, making print sorting easy.

Selectable operation modes

To fit the specific purpose for which the unit is used, Full mode, Quick Print mode, and Event mode can be selected.

Support for a wide range of memory cards and CD/DVD support

All major memory card formats used in digital cameras are supported: "Memory Stick," xD-Picture Card, SD Card, MultiMediaCard, CompactFlash card, and Microdrive. The unit also supports USB memory, CDs and DVDs created using a computer.

High-speed high-quality printing

Using a newly developed print engine that features a dyesublimation thermal transfer technology, it is possible to print images of lasting beauty at high speed.

Easy operation by touch panel

A 10.4-inch touch panel display is used, allowing for easy operation with just a touch of the screen.

Customizable with original data

By inserting a memory card (expansion CompactFlash card) carrying promotional images and border data into the expansion slot, screen savers can be displayed and photos can be combined with borders for printing.¹⁾ Original images can be used for the advertisement and border data.

1) A commercially available CompactFlash card or Microdrive is required.

Printing from wireless devices

Using an optional Bluetooth USB adaptor¹⁾, you can wirelessly send images from Bluetooth-compatible devices such as mobile phones and print. The versatile print services available when printing from a memory card are also available when sending images via Bluetooth communication.

Using an optional wireless adapter²⁾, you can send images from a digital camera with wireless functions and print the images without touching the unit.

An expansion CompactFlash card is necessary to use this function.

1) For more on compatible Bluetooth USB adaptors, see "Optional accessories" on page 81 of "Specifications." The adaptor may not be commercially available depending on your country or region. Consult your local Sony dealer.

2) A Silex Technologies SX-WSG1 is required. This device may not be commercially available depending on your country or region. Consult your local Sony dealer.

For information on supported digital cameras and further details on this unit, please visit the UP-CR20L support page at <http://www.sony.net/snaplab>.

Printing watermarks for logos and text

By storing logos, text, and other custom designs on an expansion CompactFlash card and installing the card, you can print the designs onto photos as watermarks (**watermark lamination**).

Printer expansions

You can connect an additional printer to the USB ports on the unit.¹⁾ You can load an expansion printer with a paper size different from the unit to increase the number of print

sizes that are available, or load the same paper size to enable the expansion printer to continue printing automatically when the unit runs out of paper.

1) For information on supported printers and further details, please visit the UP-CR20L support page at <http://www.sony.net/snaplab>.

Printing from computers

By connecting the unit to a computer using a commercially available USB cable, data sent from the computer can be printed on the unit.¹⁾

1) The supplied printer driver must be installed on the computer before connecting it to the unit. For the latest information on the printer driver, please visit the UP-CR20L support page at <http://www.sony.net/snaplab>.

Compact, integrated body

The display and printer are housed in a single enclosure which does not take up much space and easily fits on a shop counter or similar.

In addition, the screen angle can be adjusted to four different settings to fit operation conditions.

Applications for This Printer

This printer can be used for any of the following applications. The appropriate operation mode can be selected according to the intended application.

- **Self-service photo kiosk in a store**
Customers can bring media containing data for photos taken with a digital camera to the store and use this unit themselves to print their photos.
Both **Full mode** and **Quick Print mode** are designed for this type of application.
Full mode provides customers with a wide variety of options, while Quick Print mode allows customers to print their photos quickly and easily.
As customers must pay for the photos they have selected for printing in this application, the unit can be set to require store staff to confirm the order and input a password before the photos can be printed.
- **Photo printing at events such as parties or weddings**
This unit can be used for onsite printing of photos at events. Both guests and staff can operate the unit to print photos free of charge.
Event mode is designed for this type of application.
Because photo printing is free of charge, there is no need to confirm the order or input a password.

For details, see “About Operation Modes” on page 30.

Print Services

This unit can print photos taken with a digital camera in several different ways, as listed below.

Select & Print

This function lets you select the desired images from the contents of the memory card, specify the number of copies, and print them.

Border Print

This function lets you select from a variety of border designs to be printed around the images, or you can input text to be added to the images.

You can also add your own original border designs.

Split Image

This function lets you print several images on a single sheet.

This function also lets you print images of a prescribed size, such as for passport photos.

Index Print

This function lets you print all images on a memory card as thumbnails.

This is convenient for checking the contents of a memory card and visually sorting through a large number of images when selecting images for printing.

Express Print

This function lets you print all images on the memory card in one operation. There is no need to select images.

Print Sizes

You can print in the following sizes, depending on the printing pack that you are using.

Dimensions: mm (inches)	Printing Pack
89 × 127 (3.5 × 5)	2UPC-R203 series, 2UPC-R205 series ¹⁾
102 × 152 (4 × 6)	2UPC-R204 series, 2UPC-C26/R206 series ^{1) 2)}
127 × 178 (5 × 7)	2UPC-R205 series, 2UPC-C26/R206 series ^{2) 3)}
152 × 203 (6 × 8)	2UPC-C26/R206 series ^{1) 2)}

1) Can be used for printing when using Cut mode. For details, see “*Setting Cut Mode*” on page 40.

2) Commercially available printing packs may vary depending on your country or region. Consult your local Sony dealer.

3) Can be used for printing when using Cut mode. Images are printed with blank borders. For details, see “*Setting Cut Mode*” on page 40.

Information Updates

For the latest information, please visit the UP-CR20L support page at <http://www.sony.net/snaplab>.

Supported Media and File Formats

Supported memory cards

This unit supports the following types of memory cards.

- “Memory Stick”
- “Memory Stick PRO”
- “Memory Stick Duo”
- CompactFlash Card
- SD Card
- miniSD Card
- MultiMediaCard
- xD-Picture Card
- USB memory

For details on “Memory Stick,” “Memory Stick PRO,” and “Memory Stick DUO,” see “*Notes on Using “Memory Stick”*” on page 75.

For details on other types of memory cards, see “*Notes on Using Other Types of Memory Cards*” on page 76.

For details on USB memory, see “*Notes on USB Memory*” on page 77.

Supported disk types

- CD-R/RW
- DVD-R/RW

Notes

- Writing data to CDs or DVDs is not supported.
- This unit does not support DVD+R(DL)/RW or DVD-RAM.

For details, see “*Notes on CDs and DVDs*” on page 77.

Supported file formats

This unit supports the file formats listed below. The maximum data size that can be read by the unit is 8,000 × 6,000 pixels.

- JPEG
 - JFIF 4:4:4, 4:2:2, 4:2:0 (baseline JPEG)
 - * Progressive JPEG not supported.
 - Exif 2.2.1 compliant
 - DCF 2.0 compliant
- TIFF
 - Exif 2.2.1 compliant (RGB non-compressed)
- BMP
 - 24-bit Windows format

(Some format versions may not be supported.)

Up to eight levels are supported for directories on a memory card or disc, and up to 9,999 files can be handled in a single operation. If a file path consists of more than

200 characters or includes non-alphanumeric characters, the unit may not be able to read the file.

TIFF, BMP, and images with large file sizes may take longer to load.

The unit does not support files for which the date is before January 1, 1980 or after December 31, 2079.

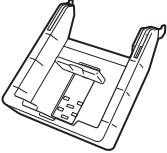
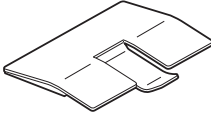
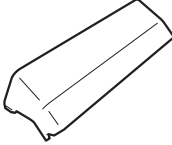
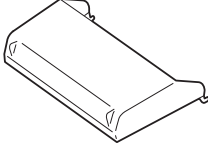
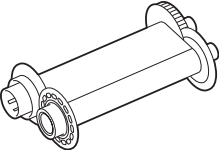
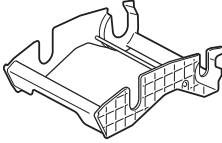
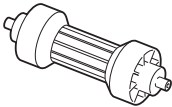
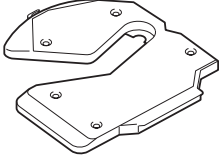
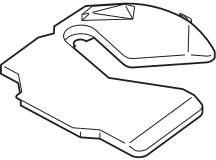
Trademarks

The following words are trademarks of their respective owners.

- “Memory Stick,” “MagicGate Memory Stick,” “Memory Stick Duo,” “Memory Stick PRO,” and “Memory Stick PRO Duo” are trademarks of Sony Corporation.
- CompactFlash is a trademark of SanDisk Corporation, registered in the United States and other countries.
- MultiMediaCard is a trademark of Infineon Technologies AG.
- Microdrive is a registered trademark of Hitachi Global Storage Technologies.
- miniSD is a trademark of SD Card Association.
- Adobe and Photoshop are either registered trademarks or trademarks of Adobe Systems Incorporated in the United States and/or other countries.
- xD-Picture Card is a trademark of Fuji Photo Film Co., Ltd.
- The Bluetooth® word mark and logos are owned by the Bluetooth SIG, Inc. and any use of such marks by Sony Corporation is under license.
- Other product names are the registered trademarks or trademarks of their respective manufacturers.

Supplied Accessories

Make certain you have received the following accessories:

Output tray (1) 	Output tray adapter (1) 	Output cover (1) 	Scrap receptacle (1) 
Cleaning ribbon (1) 	Ribbon tray* (1) 	Paper core* (1) 	Paper adapter (blue)* (1) 
Paper adapter (pink)* (1) 		CD-ROM (1) Software License Agreement (1) Before Using This Printer (1) Warranty Card (1)	

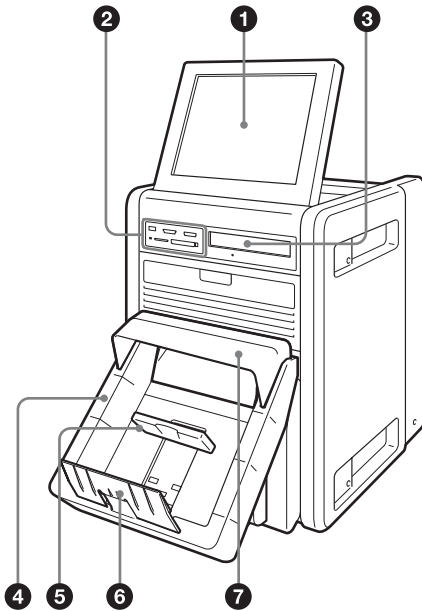
* The paper core is located inside the printer and must be removed when loading or removing paper. For details on removing the core, see "Loading the Paper Roll and Ink Ribbon" on page 17.

Notes

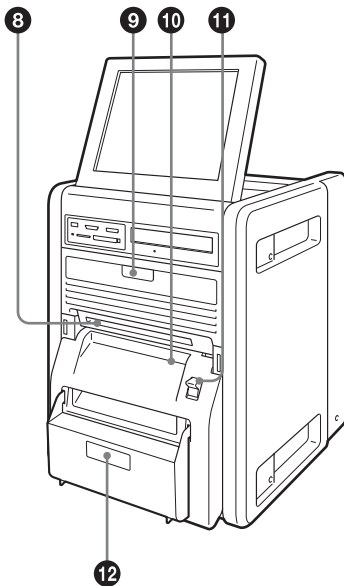
- When taking the unit out of the carton box, be careful not to hurt your back.
- The packaging materials are needed when transporting the unit, so we suggest you keep them.
- Before transporting the unit, remove the ink ribbon and paper roll from the unit.
- Before transporting the unit, also remove any paper remnants from the paper holder. The paper remnants may slip into the inner parts of the unit and result in damage if not removed.

Controls and Functions

Front



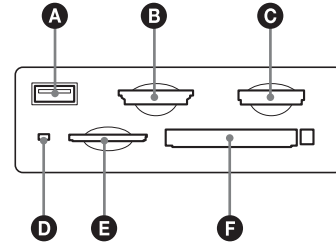
Output tray removed



1 Display

Shows the operation screen. Because the display is a touch screen, the user simply touches the field for the desired operation. The angle of the display can be adjusted for best viewing.

2 Memory card slots



A USB port (USB memory) (page 58)

Holds a USB memory device with stored image data.

B SD Card/MultiMediaCard slot (page 58)

Holds an SD Card, miniSD Card, or MultiMediaCard with stored image data.

C “Memory Stick” slot (page 58)

Holds a “Memory Stick” with stored image data.

D Access indicator

Lights when a memory card is inserted a slot, and flashes when a memory card is being accessed.

E xD-Picture Card slot (page 58)

Holds an xD-Picture Card with stored image data.

F CompactFlash card slot (page 58)

Holds a CompactFlash card with stored image data.

Note

To avoid loss of image data or damage to the main unit, never attempt to insert a “Memory Stick,” SD Card, or MultiMediaCard into a CompactFlash type adapter set in the CompactFlash slot.

3 CD/DVD-ROM drive

Holds a CD or DVD with stored image data. You cannot write to the CD or DVD.

4 Output tray (page 22)

Collects printouts that are ejected.

5 Output stopper (page 23)

Adjust the position according to the printing pack in use. There are three positions to which to adjust.

6 Output tray adapter (page 23)

Attach this to the output tray to prevent printouts from falling out.

7 Output cover

Attach this to the output tray to prevent printouts from ejecting too far out of the output slot when printing.

8 Output slot

Printouts are ejected from here.

9 Ribbon door (page 21)

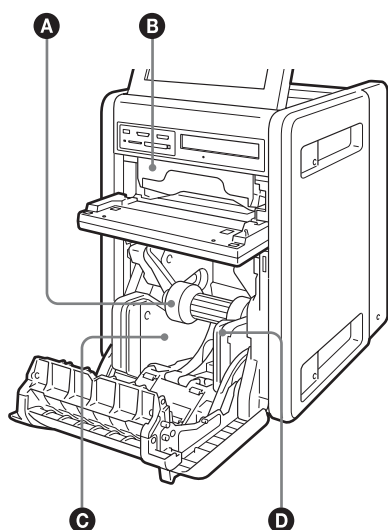
Open and close this when replacing the ink ribbon. This does not open when the unit is turned on. For details, see "Loading the Paper Roll and Ink Ribbon" on page 17.

10 Paper door (page 19)

Open and close this when replacing paper rolls. This does not open while printing is in progress.

11 Paper door lever

Use this to open the paper door.

When the paper and ribbon doors are open**A Paper core**

Insert this into the paper roll.

B Ribbon tray

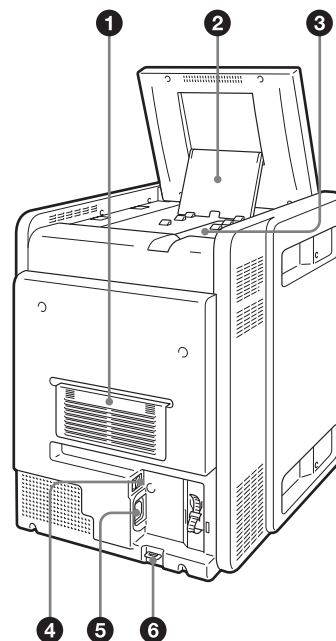
Place the ink ribbon here.

C Paper adapter (blue)**D Paper adapter (pink)**

Attach the paper adapters to the printer when using the 2UPC-R203/R205 series printing pack.

12 Scrap receptacle (page 22)

Margins of empty space are crated between each printout. These margins are cut off during printing and dropped into this receptacle.

Rear**1 Filter cover**

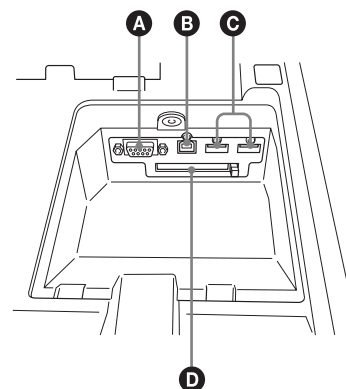
The ventilation filter is located under here.

2 Display stand

Use this stand to adjust the angle of the display.

3 Extension connector cover

The connectors that are required when using extension functions are located under here.

When the extension connector cover is open**A RS-232C connector**

Allows connection of a commercially available thermal sheet printer or similar device.

B USB port (device) (page 48)

Use a commercially available USB cable to connect the unit to an SX-WSG1, computer, or similar device.¹⁾

1) Operation is not guaranteed when connected by a USB hub.

Ⓒ USB port (host) × 2

Allows connection of a USB device.

You can connect a commercially available card reader or USB memory device to this port and use it to read data.¹⁾

You can also connect an expansion printer.

To use Bluetooth communication, insert a Bluetooth USB adaptor here.

1) Correct operation with every card reader and USB memory device is not guaranteed.

Operation is not guaranteed when connected by a USB hub.

PictBridge is not supported.

Ⓓ Expansion CompactFlash card slot

When using features such as border print or promotional images, insert the expansion CompactFlash card here.

④ POWER switch

Turns the unit's power on or off.

⑤ ~ AC IN (power source) connector (page 15)

Connect the power cord here.

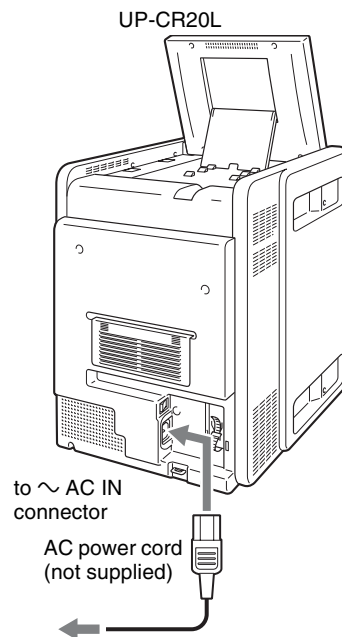
⑥ Security slot

Allows you to attach a wire lock to prevent theft.

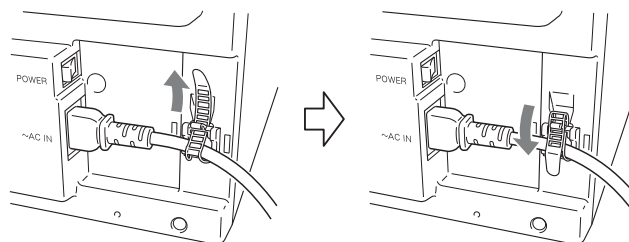
Installation

Connecting the Power Cord

Connect the power cord to the ~ AC IN connector on the back of the unit, and then connect the plug to a power outlet.

**To secure the power cord**

Wrap the cable clamp around the power cord, and fasten it securely as shown.



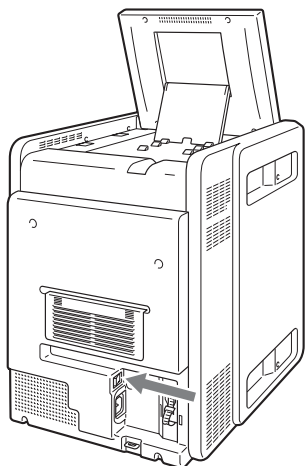
Adjusting the Display Angle

The display angle can be adjusted to make the display more easily viewable. Four settings are available for angle adjustment.

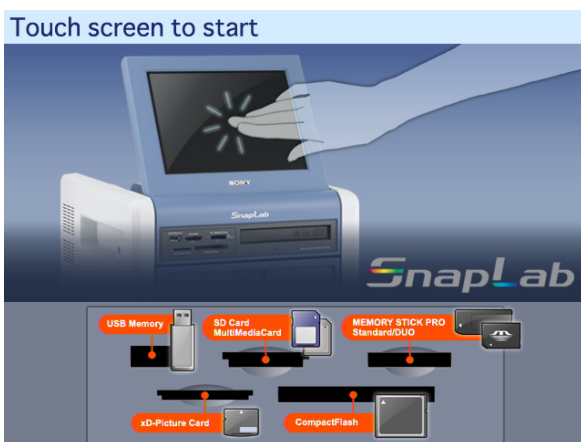
Startup and Shutdown

Startup

- 1 Verify that no memory card is inserted in any of the front-side memory card slots of the unit. Then turn on the POWER switch.

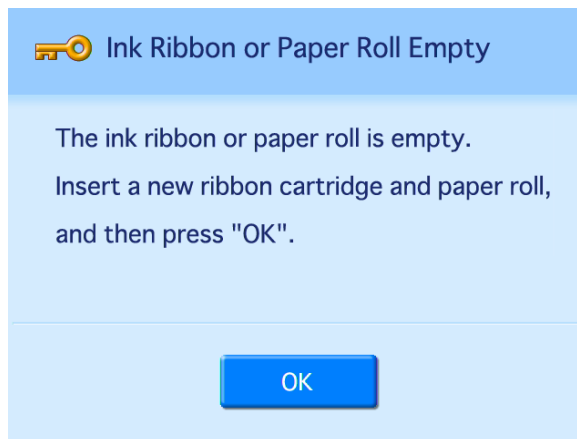


The unit starts up, and the Start Guide screen appears.



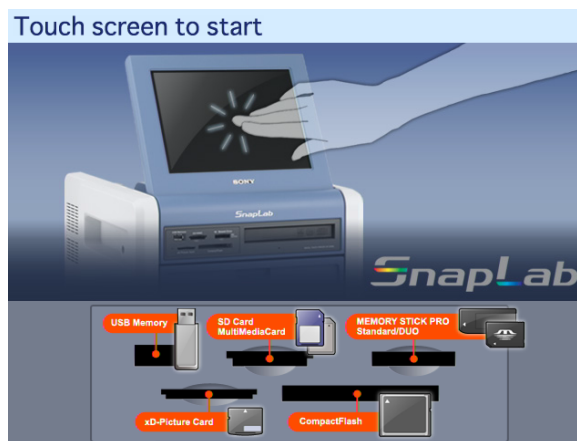
For details on subsequent steps, see "Operation" on page 57.

If the ink ribbon or paper roll is empty, the following screen appears.



Shutdown

- 1 Complete any pending operations, and then bring up the Start Guide screen.



- 2 Verify that no memory card is inserted in any of the front-side memory card slots of the unit. Then turn off the POWER switch.

Note

After turning off the unit, wait at least 5 seconds before turning it on again.

Loading the Paper Roll and Ink Ribbon

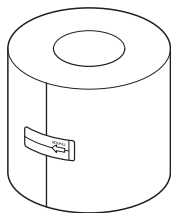
Handling the paper roll and ink ribbon

Notes

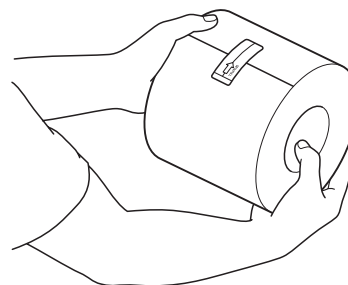
- Each printing pack contains two sets of the ink ribbon and paper roll combination. Use the ink ribbon and the paper roll in the carton as a set. Do not mix with other varieties of ribbon or paper roll. (See “*Ink Ribbon and Paper*” on page 79.)
- The number of sheets that can be printed differs depending on the printing pack. One set of the ink ribbon and paper roll allows you to print the following number of sheets.

Printing pack	2UPC-R203 series	2UPC-R204 series	2UPC-R205 series	2UPC-C26/2UPC-R206 series
Print capacity	770 sheets	700 sheets	400 sheets	350 sheets
Print size	89 × 127 mm 3.5 × 5 inches	102 × 152 mm 4 × 6 inches	127 × 178 mm 5 × 7 inches	152 × 203 mm 6 × 8 inches

- Do not replace the printing pack if it has only been partially used. If the paper roll or ink ribbon is replaced after only partial use, the above print capacities are not guaranteed.
- When setting the paper roll down, place it vertically as shown. If you place the paper roll horizontally, the paper may roll around and fall. This may cause an injury.

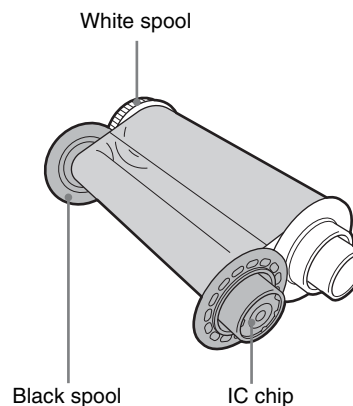


- Hold the paper roll with both hands so that you do not drop it, because it is heavy. Dropping may result in an injury.



Hold the paper roll with both hands.

- Do not detach the black and white spools of the ink ribbon until you start loading the ink ribbon.
- An IC chip is embedded in the black spool. **Do not touch the terminals on the IC chip with your hands or metal objects, and do not dent, drop, or otherwise apply shock to the IC chip.** Doing so may cause the ink ribbon to become unusable.



Before Loading the Paper Roll and Ink Ribbon

Confirm that the unit is powered on. If not, turn the power on.

Otherwise, the automatic paper feeding may not be done correctly after loading of the paper roll and ink ribbon is completed.

Clean the thermal head and rollers regularly, whenever you load a new paper roll and ink ribbon.

For detailed information on cleaning, see “*Cleaning the Interior*” on page 50.

Note

If you use the 2UPC-R204 series, 2UPC-C26 series, or 2UPC-R206 series Printing Pack with the 152-mm (6-inch) paper width after using the 2UPC-R203 series or 2UPC-R205 series Printing Pack with the 127-mm (5-inch) paper width, white stripes may appear on either side of printouts.

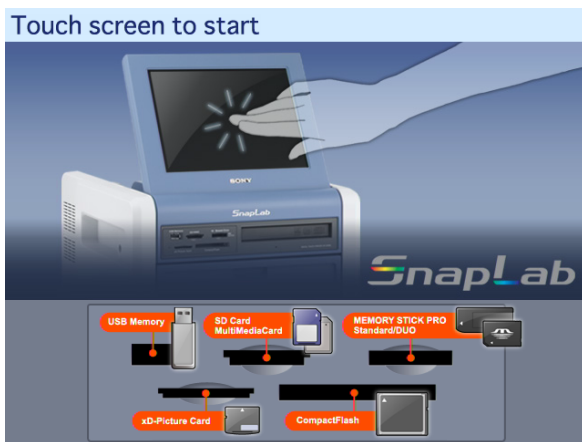
Be sure to clean the inside of the printer before printing (page 50).

Unlocking the Ribbon Door

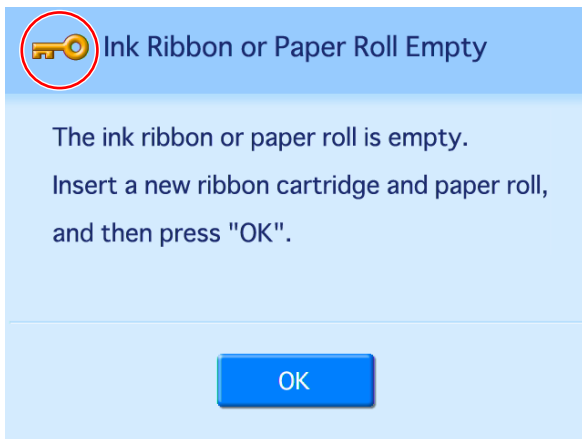
The ribbon door is locked for safety when the unit is turned on. To unlock the door, proceed as follows and display the administration screen.

- 1 Turn on the power and start the unit.

The Start Guide screen appears.

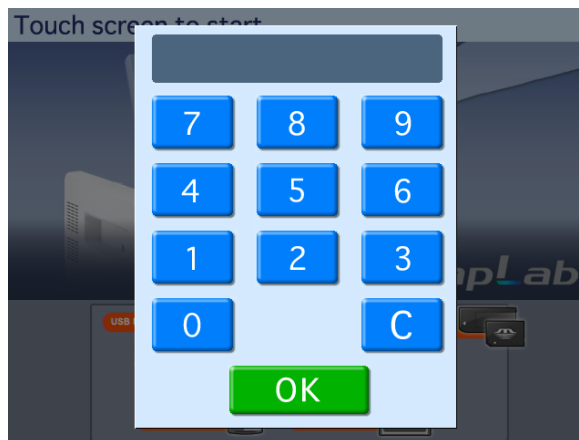


If an ink ribbon or paper roll is not loaded, the following error message appears.



- 2 Touch the top left corner of the screen twice in succession.

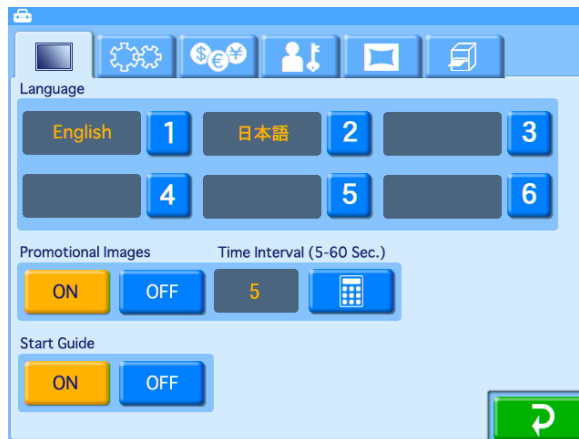
The password entry screen appears.



- 3 Enter the administrator password using the numeric keypad, and touch [OK]. (The factory default setting for the password is "9999.")

The administration screen appears.

When the administration screen appears, the ribbon door will unlock.



Loading the Paper Roll and Ink Ribbon

When you use the unit for the first time, load the paper roll and ink ribbon.

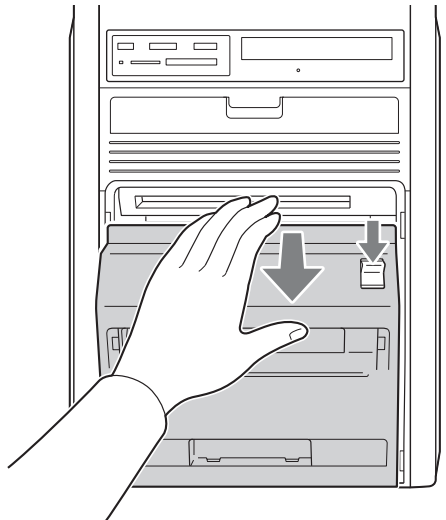
To load the paper roll

Notes

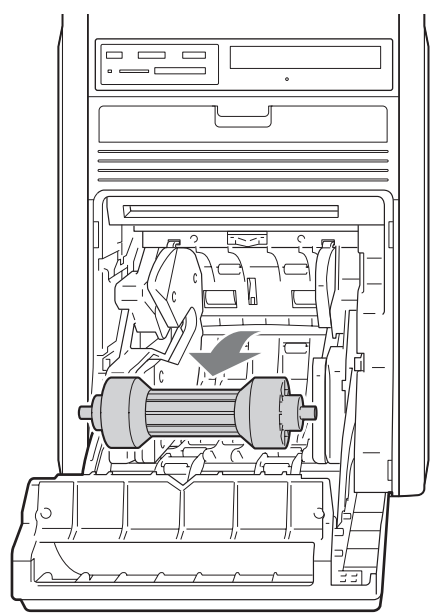
- Be sure to remove the output cover, output tray, and scrap receptacle before loading the paper roll.

- Be careful that your fingers and clothing are not caught in the paper door or on the protuberance in the opening of the door.

1 Press and lower the paper door lever, hold the paper door at the center portion, and pull the door forward until it locks into the open position.

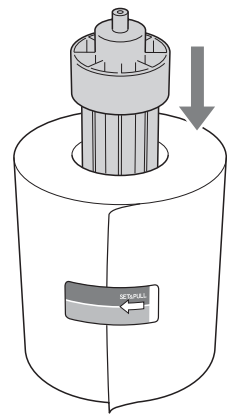


2 Remove the paper core.



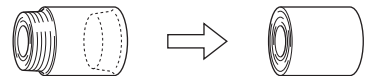
3 Insert the paper core into the paper roll.

The two sides of the paper core are the same shape. You can insert either side.

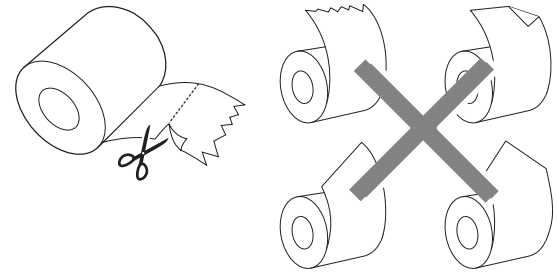


Notes

- If the edges of the paper on the roll are not aligned before inserting the paper core, be sure to align them while being careful not to bend or damage them. Not doing so may result in malfunction.



- If the leading edge of the paper is bent or damaged as a result of a paper jam, for example, be sure to use scissors to cut off the damaged portion, as shown, before inserting the paper.

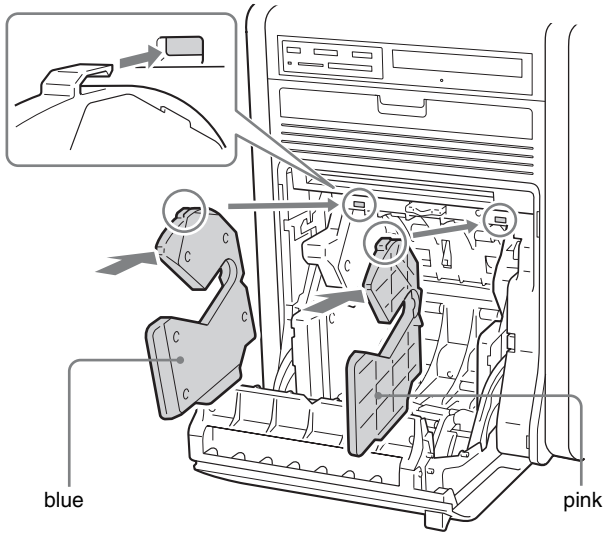


- Do not bump the paper roll against hard objects or squeeze it tightly. Doing so may bend or crease the paper and affect print quality.

4 Depending on the width of your paper roll, attach or remove the paper adapters.

Paper with 127-mm (5-inch) width: 2UPC-R203/R205 series Printing Pack

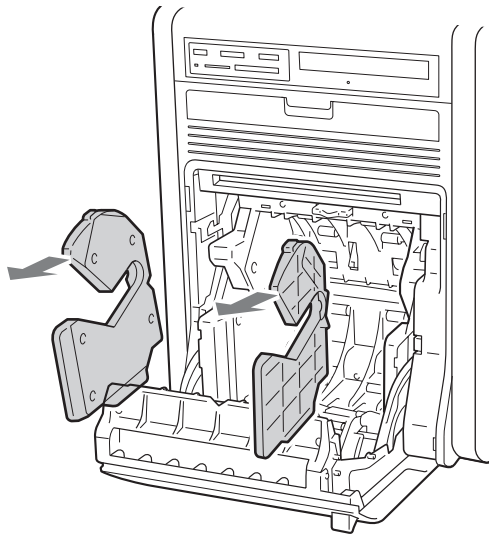
Attach the blue paper adapter to the left side of the unit, and the pink paper adapter to the right side. (The unit is factory shipped with the paper adapters attached.)



Press the portions indicated by the arrows until the tabs at the top lock into place.

Paper with 152-mm (6-inch) width: 2UPC-R204/C26/R206 series Printing Pack

Remove the blue and pink paper adapters.

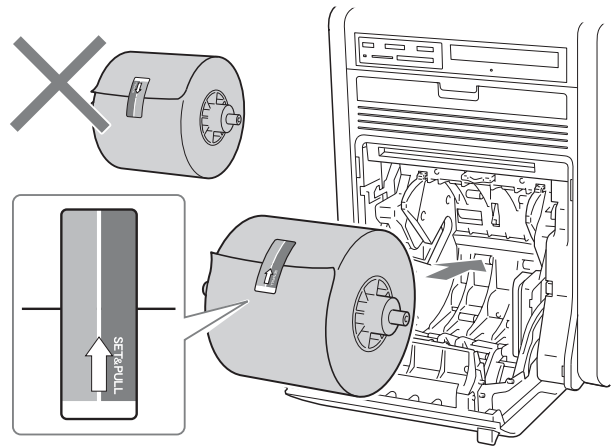


Note

Store removed paper adapters in a safe place.

5 Load the paper roll.

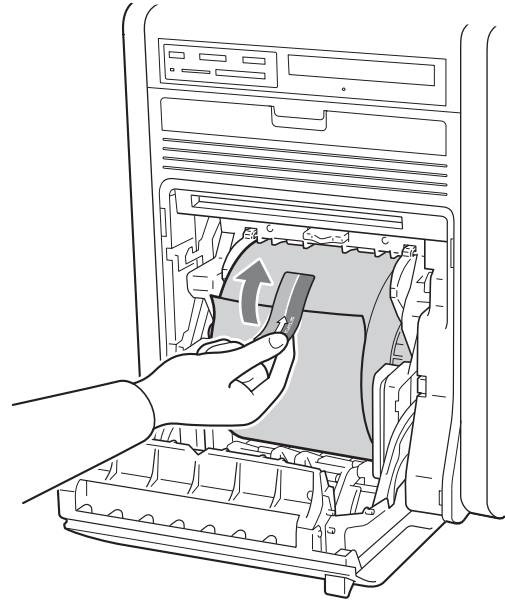
Be sure to load the paper roll with the arrow on the seal pointing inside the unit.



Notes

- To prevent the paper roll from sliding off, hold both sides of the paper core when loading it into the unit.
- Do not touch the print surface (inner surface of the paper) after the paper is loaded. Fingerprints, sweat, and creases in the paper may affect print quality.
- Be sure to insert the paper roll fully into the unit.

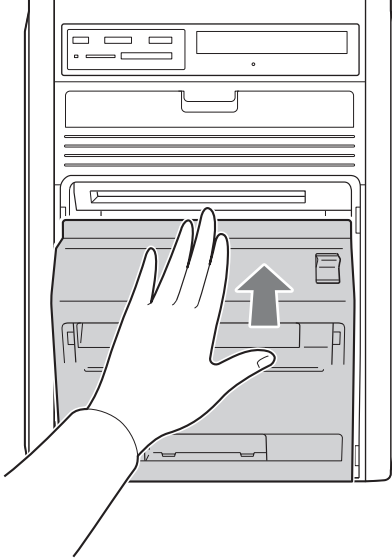
6 Remove the seal affixed to the paper roll.



Note

Be sure to remove the seal completely. In addition, remove the seal slowly to avoid leaving parts of the adhesive on the paper. If any part of the seal is left inside the printer, malfunctions may occur.

- 7** Close the paper door, and press the center of the door until it clicks into place.



Notes

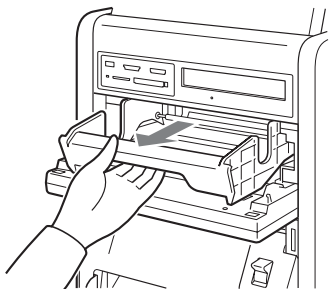
- If you close the door by pressing only its sides, the door may not lock into place properly.
- When closing the paper door, be sure that the front edge of the paper is not caught in the door.

To load the ink ribbon

- 1** Pull the ribbon door toward you to open it.



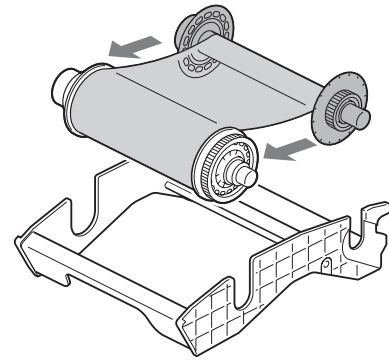
- 2** Remove the ribbon tray.



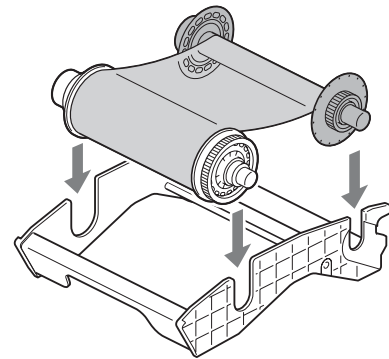
Note

After removing the ribbon tray, do not insert your hand into the opening in the unit. Touching the protrusions or movable parts inside the unit may result in bodily injury or malfunction of the unit. In particular, touching the thermal head when it is hot immediately after printing may result in burns.

- 3** Detach the white spool of the ink ribbon from the black spool.



- 4** Gently unravel the ribbon without loosening it, and place it in the ribbon tray.

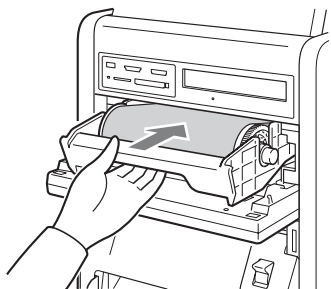


Place the white spool in the front holder and the black spool in the rear holder as shown.

Note

If the ink ribbon is loosely raveled around the spools or there is any slack or creases in the ink ribbon, wind the spools to tighten the slack and smooth out the creases.

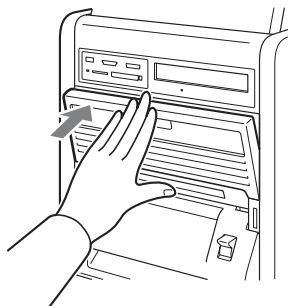
- 5** Hold the center of the ribbon tray, and load it into the unit.



Notes

- Always hold the center of the ribbon tray when loading it into the unit. If you hold the tray by any other part, your fingers may get caught while inserting the tray and injuries may result.
- Be sure to insert the ribbon tray fully into the unit.

- 6** Close the ribbon door.

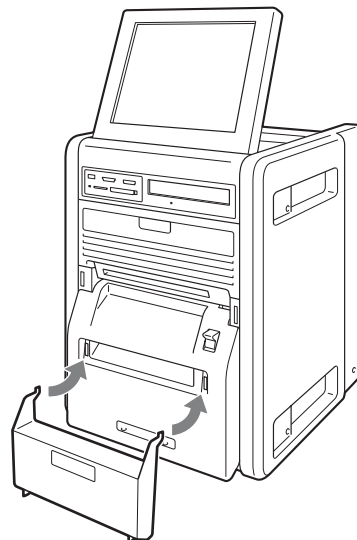


Notes on storage

- Avoid placing the unit where it will be subject to:
 - high temperatures,
 - high humidity or dust,
 - direct sunlight.
- After opening the bag, use the ribbon and the paper as soon as possible.
- When transporting or storing the paper roll and ink ribbon after partial use, we recommend putting them back into their respective bags.

Attaching the Scrap Receptacle

When printing, a margin of empty space is left between each printout. These excess portions are cut off and dropped into the scrap receptacle. Remove scraps from the receptacle as soon as possible.



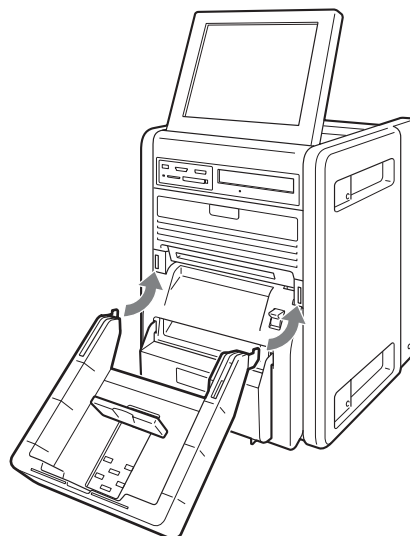
Note

If the scrap receptacle becomes too full, scraps that are cut off may be unable to eject. This may result in malfunction. Remove scraps from the receptacle as soon as possible, and be sure to empty the receptacle whenever you replace a paper roll.

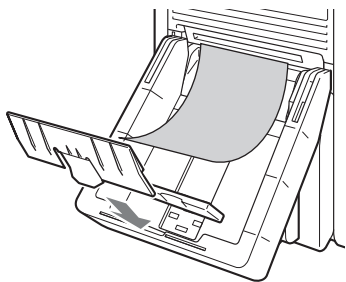
Attaching the Output Tray

When printing, printouts are ejected from the printer and collect in the output tray.

- 1** Attach the output tray to the printer.



Attaching the output tray adapter



The output tray adapter prevents printouts from sticking out of the output tray.

Use the adapter when printouts curl as shown.

Note

About 40 printout sheets can be stored in the output tray in most cases. However, this number can vary greatly depending on the amount of curling in printouts. In general, you should remove ejected printouts as soon as possible.

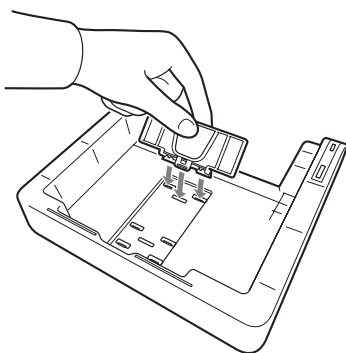
Adjusting the output stopper position

Adjust the position of the output stopper according to the printing pack in use. The positions for each printing pack are indicated on the output tray, so attach the output stopper accordingly. There are three positions to which to adjust.

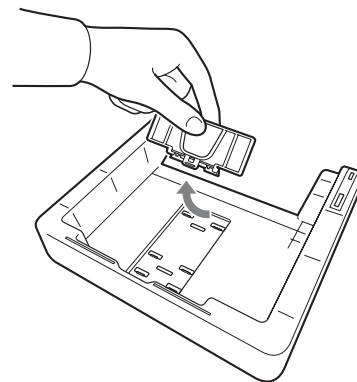
Note

If the output stoppers are not positioned correctly, paper jams may occur.

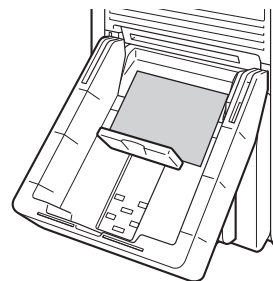
To attach the output stopper



To remove the output stopper

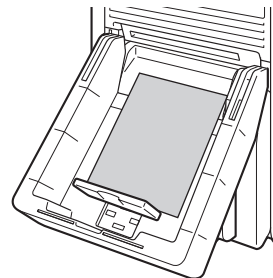


When using the 2UPC-R203/R204 series printing pack



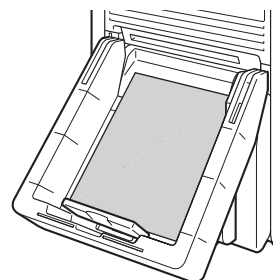
Set the output stopper to the "R203 R204" position.

When using the 2UPC-R205 series printing pack



Set the output stopper to the "R205" position.

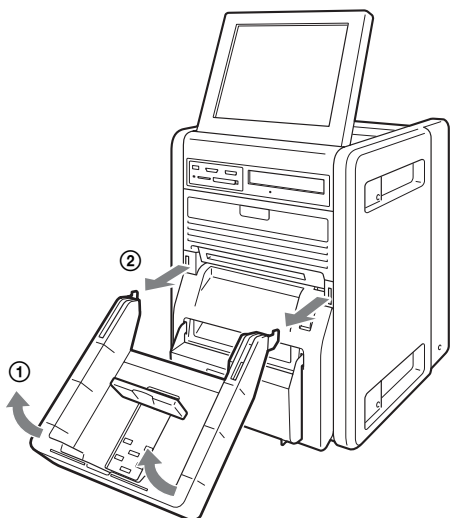
When using the 2UPC-C26/R206 series printing pack



Set the output stopper to the "R206" position.

To remove the output tray

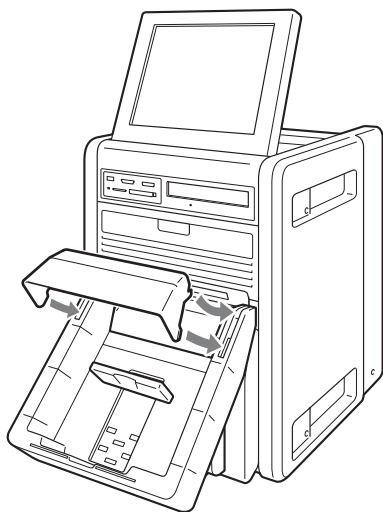
Hold the output tray on both sides, and ① raise the tray while ② pulling it toward you.



Attaching the Output Cover

Attach the output cover to the output tray. Doing so prevents minor cuts and injuries that may result from printouts ejecting quickly out of the output slot while printing.

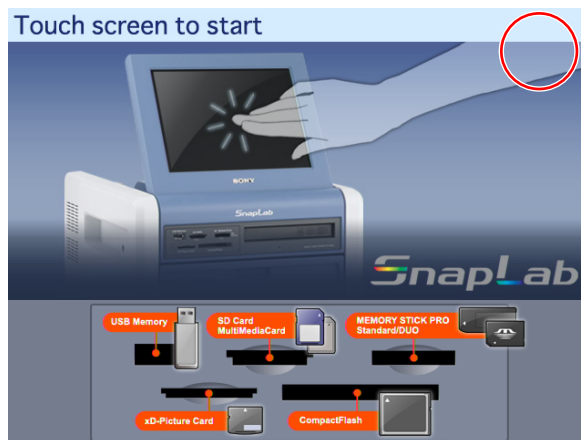
To attach the output cover



Checking the Remaining Ink Ribbon

You can check the amount of ink ribbon that remains from the Start Guide screen.

- 1 Display the Start Guide screen.



- 2 Touch the top right corner of the Start Guide screen twice in succession.

The confirmation screen for the remaining ink ribbon appears.



Print Size

Displays the size selected for prints.

Ribbon Remain

Displays the remaining number of prints for the ink ribbon. When the remaining number of prints reaches 0, replace the ink ribbon and paper roll.

For details, see *“Loading the Paper Roll and Ink Ribbon”* on page 17.

button

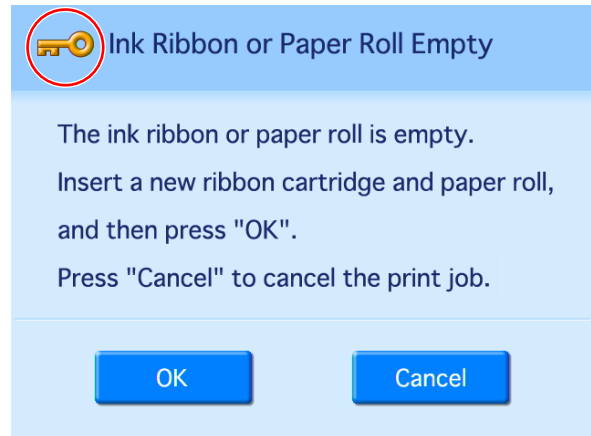
Displays the number of prints since the last head cleaning. If the “Cleaning is necessary” message appears to the right of the number of prints, touch the button to perform cleaning.

Information on additional printers

If another printer is connected to this unit, Print Size and Ribbon Remain information for the additional printer appears here.

Replacing the Paper Roll and Ink Ribbon

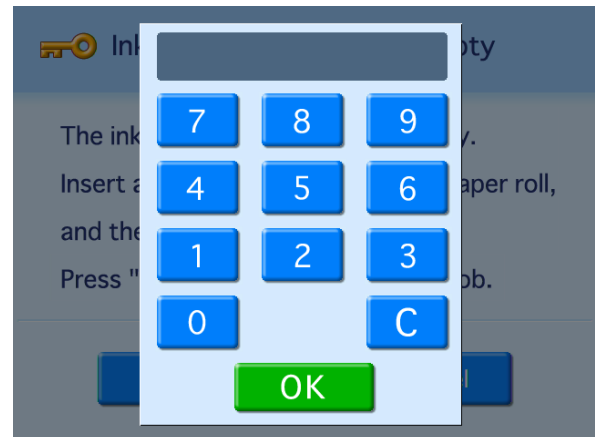
If the paper roll or ink ribbon runs out while printing, the following error message appears. Proceed as follows to replace the paper roll and ink ribbon.



Unlocking the Ribbon Door

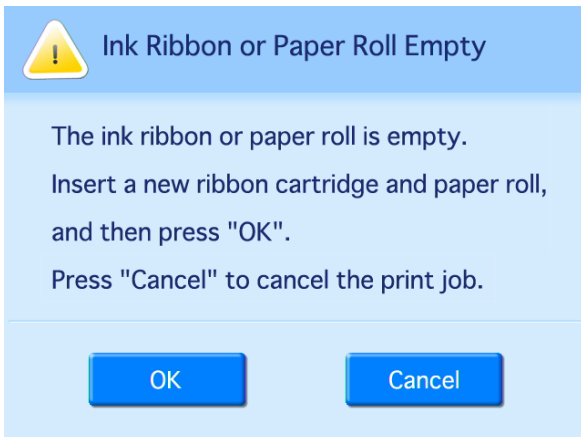
- 1 Touch the top left corner of the error message screen twice in succession.

The password entry screen appears.



- 2 Enter the administrator password using the numeric keypad, and touch [OK].
(The factory default setting for the password is "9999.")

The ribbon door unlocks, and the error message screen returns. The key icon at the top right changes to "!", indicating that the door is unlocked.

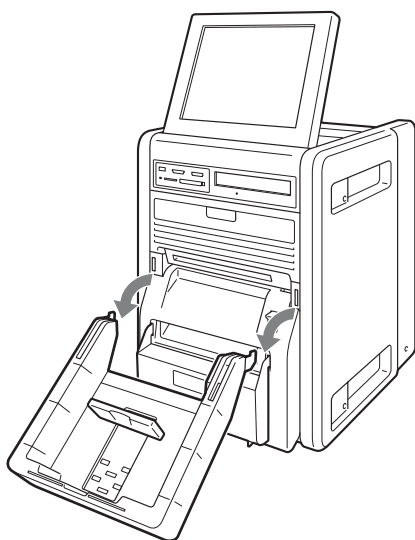


Removing the Paper Roll and Ink Ribbon

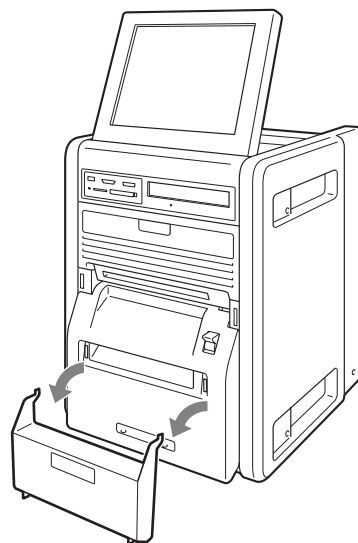
Note

The above message is set to appear before the ink ribbon and paper roll are completely used up. Even if there is some ink ribbon and paper remaining, be sure to load a new ink ribbon and paper roll.

- 1 Remove the output cover and output tray.



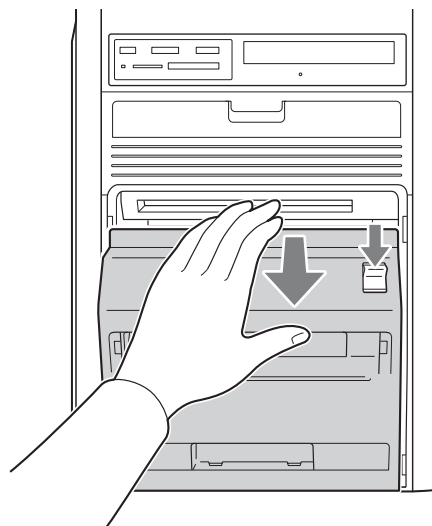
- 2 Remove and empty the scrap receptacle.



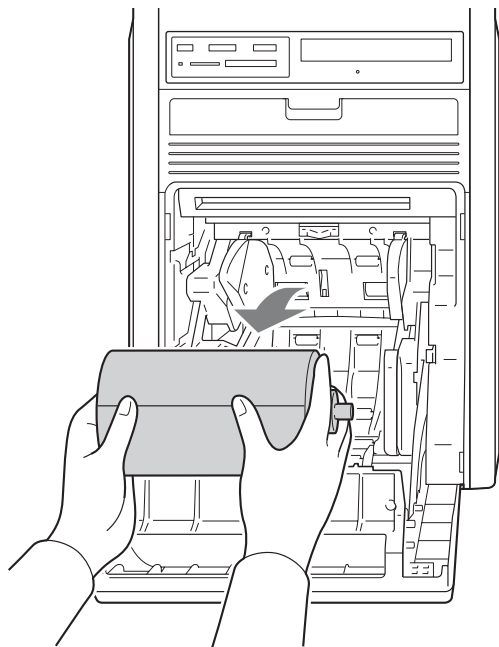
Note

If the scrap receptacle becomes too full, scraps that are cut off may be unable to eject. This may result in malfunction. Be sure to empty the scrap receptacle each time you replace the paper roll.

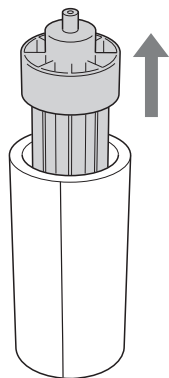
- 3 Press and lower the paper door lever, hold the paper door at the center portion, and pull the door forward until it locks into the open position.



- 4** Remove the paper roll.



- 5** Remove the paper core from the paper roll.



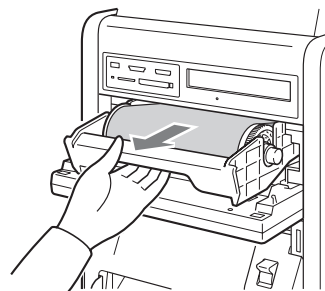
Note

The paper core is reusable. Do not throw it away.

- 6** Pull the ribbon door toward you to open it.

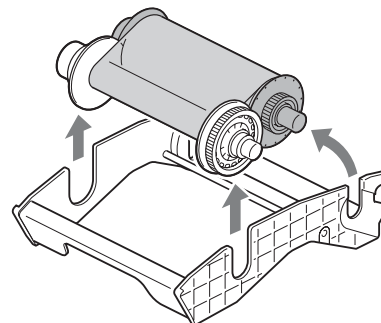


- 7** Remove the ribbon tray.



- 8** Remove the ink ribbon.

After removing the ink ribbon, attach the black spool to the white spool.



Do not reuse ink ribbons that have reached their prescribed print capacities and have been removed.

Note

The ribbon tray is reusable. Do not throw it away.

Loading the Paper Roll and Ink Ribbon

For details on loading the paper roll and ink ribbon, see “*Loading the Paper Roll and Ink Ribbon*” on page 17.

When you are finished loading the paper roll and ink ribbon, touch the [OK] button in the error message screen. The error message screen closes, and you can continue operations.

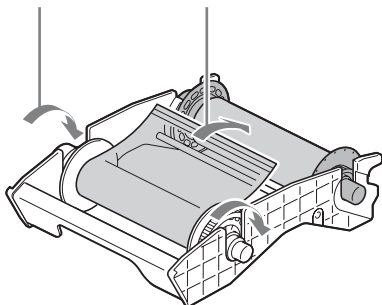
If the Ink Ribbon Breaks during Use

The remaining ribbon can be used after repairing it with adhesive tape.

- 1** Open the ribbon door, and remove the ribbon tray.

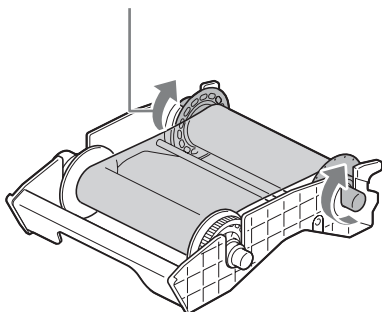
- 2** Pull the ribbon on the white spool, attach one edge of a strip of adhesive tape along the entire length of the ribbon's end, and then attach the other edge of the tape to the ribbon on the black spool.

- ① Wind the spool to feed the ribbon out.
② Attach the adhesive tape along the entire length of the white spool's ribbon end, and attach it to the ribbon on the black spool.



- 3** Remove any slack from the ribbon.

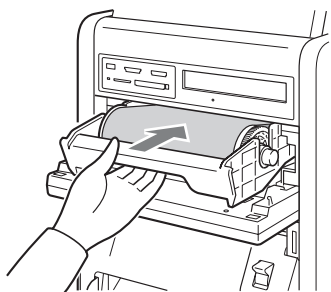
Wind the black spool to remove any slack.



Note

Be sure to wind the taped portion completely onto the black spool so that the tape is not exposed.

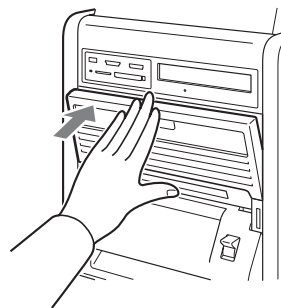
- 4** Hold the center of the ribbon tray, and load it into the unit.



Note

Always hold the center of the ribbon tray when loading it into the unit. If you hold the tray by any other part, your fingers may get caught while inserting the tray and injuries may result.

- 5** Close the ribbon door.



Depending on the position of the ribbon break, a single printout's worth of ribbon may be lost.

Language and operation mode selections, prices, passwords and other settings for setting up the unit are configured from the administration screen. You can also change settings after setting up the unit and perform maintenance from the administration screen.

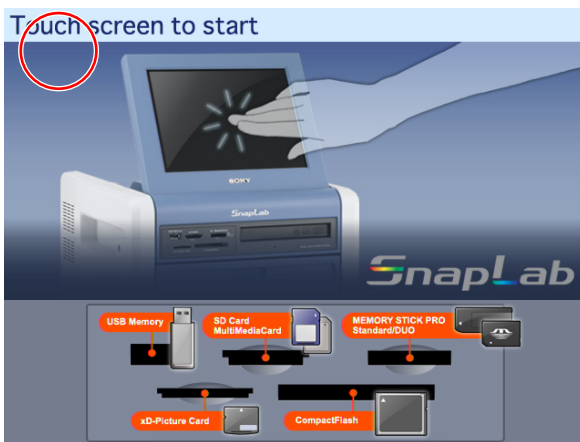
Displaying the Administration Screen

Proceed as follows to display the administration screen.

Notes

- Before you can make settings on the administration screen, you must enter the administrator password. In the factory default condition, the administrator password is set to “9999.”
- If a memory card is inserted in any of the front-side memory card slots of the unit, the administration screen does not come up. Remove any memory cards first, and then repeat the procedure.

- 1 At the Start Guide display, touch the top left corner of the screen twice in succession.



The password entry screen appears.

- 2 Enter the administrator password using the numeric keypad.
- 3 Touch the [OK] button.

The administration screen appears.



By touching one of the tabs at the top of this screen, you can select the respective category to make settings. For details on each category, see this section and “*Advanced Settings*” on page 37.

(Screens) tab

Lets you select the language display and configure settings such as those for the screen saver.

(System) tab

Let's you select the operation mode, set the clock, and configure settings such as those for connecting the unit to a computer.

You can also perform thermal head cleaning and touch panel adjustment from this tab.

(Pricing) tab

Lets you set the currency to use and the price of prints.

 (Administration) tab

Lets you limit the number of prints per order and make password settings.

The print logs and system logs can also be displayed from this tab.

 (Template) tab


Lets you copy data such as templates for border prints onto an expansion CompactFlash card.

You can also enter the text that will be added to images from this tab.

 (Printer settings) tab

Lets you configure settings such as those for printing by order number or file name, as well as cutting mode settings.

You can also perform print quality adjustment from this tab.

- 4 When the setting is complete, touch the  button.

Note

If the date for the unit's internal clock is set to 2008 or earlier, a clock settings screen allowing you to set the correct date will appear after you exit the administration screen. If you cancel and exit the clock settings screen without setting the date, you will return to the Start Guide screen. For details on setting the date, see *"Setting the Time"* on page 33.

About Operation Modes

This unit has three operation modes.

Full mode

This mode is designed for using this unit as a self-service photo kiosk to be operated directly by customers in a store. This mode makes all functions available, providing customers with a wide choice of print options.

Because of the numerous options provided to the customer in this mode, it may take a significant amount of time for a customer to complete the ordering process.

Quick Print mode

This mode is also designed for using this unit as a self-service photo kiosk to be operated directly by customers in a store. Compared to Full mode, the customer is presented with fewer options, which allows them to more easily and quickly print their photos.

The following functions are not available in Quick Print mode:

- Split Image
- Border Print
- Index Print
- Image editing other than crop and rotate

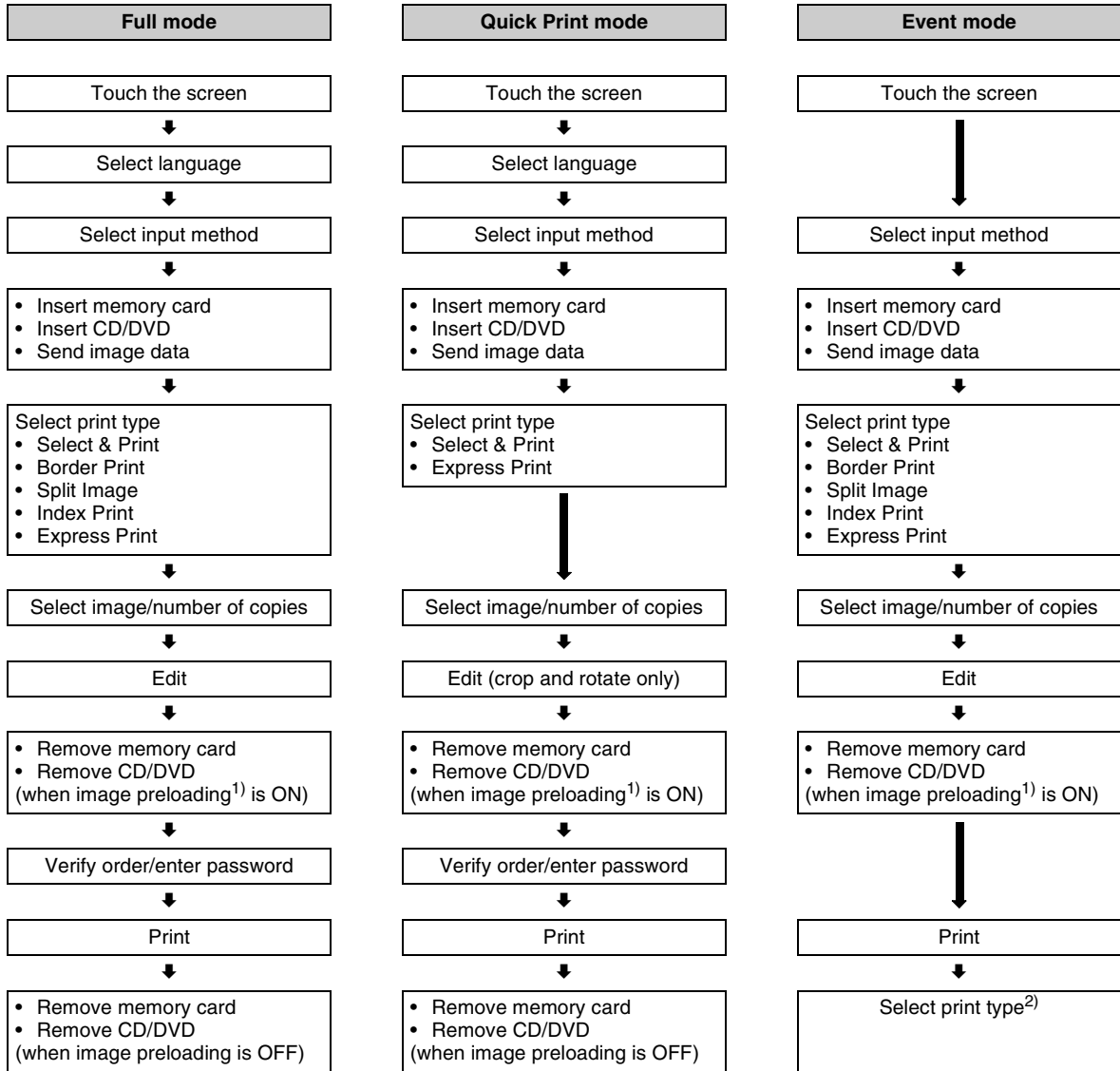
Event mode

This mode is designed for using this unit at events such as parties or weddings.

This mode is intended to allow event guests to print photos free of charge; this mode is also intended for use in a store where the unit is operated only by staff. This mode provides access to all functions.

The language selection, pricing, and password input functions are not used in Event mode.

Flow of Operations in Each Mode



1) Data for ordered images is loaded onto the unit before printing begins.

For details, see "Setting Image Preload" on page 47.

2) After printing ends in Event mode, the display returns to the print type selection screen without the appearance of the memory card and CD/DVD removal screen. To remove an inserted memory card or CD/DVD, touch the [Cancel] button in the print type selection screen.

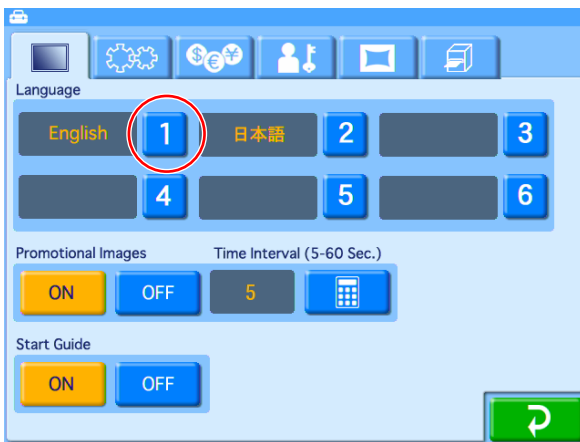
Basic Settings Used in All Operation Modes

This section explains the basic settings that are used in all of the operation modes.

Selecting the Language

This procedure selects the language that is used for all of the other settings and operations. The factory default setting is English.

- 1 Open the Screens tab on the administration screen.



- 2 Touch the [1] button under [Language].

A list of languages appears.



- 3 Touch the language that you want to select, and then touch the [OK] button.

The display changes to the selected language.

Specifying the languages available for selection during operation

■ **Applicable modes: Full mode, Quick Print mode**

When using Full mode or Quick Print mode, it is possible to specify up to five additional languages to be made available for use during operation. If more than one language is specified, the user can select one of the languages when they start to place an order.

To specify additional languages to be made available for use during operation, touch the [2] through [6] buttons and select the desired language from the list that appears. If a language is selected for one button, it is not available for selection for another button.

To cancel a setting, touch [OFF] in the language list.

Notes

- Additional languages are not available in Event mode.
- The administration screen and error messages are always displayed in the language specified in position [1].
- You cannot select [OFF] for position [1].
- If you only set position [1], the language selection screen will not appear during orders.

Hint

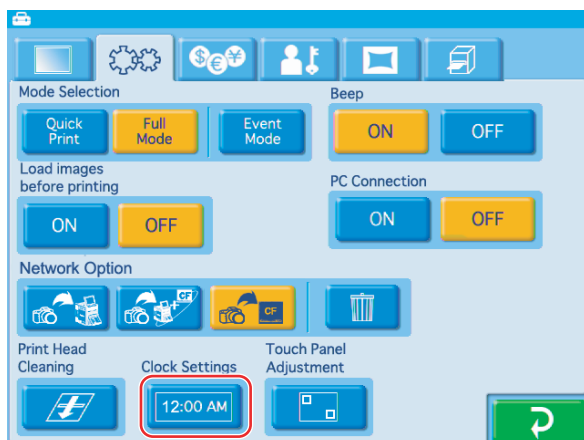
If you want to change the positions of two selected languages (for example, you have selected, “[1] English” and “[2] Japanese,” and you want to change the settings to “[1] Japanese” and “[2] English”), you need to first cancel the setting of one of the languages.

- 1 Touch [2] and select [OFF] from the language list.
- 2 Touch [1] and then select “Japanese.”
- 3 Touch [2] and select “English.”

Setting the Time

This procedure sets the time for the internal clock.

- 1 Open the System tab on the administration screen.



- 2 Touch the [Clock Settings] button.

The following screen appears.



Date format

Select the display format for the date and time from among the following options.

Date

- YYYY/MM/DD (Ex.: 2009/9/1)
- DD/MM/YYYY (Ex.: 1/9/2009)
- Month/DD/YY (Ex.: Sep/1/09)
- MM/DD/YYYY (Ex.: 9/1/2009)

Time

- 24h (24-hour display)
- AM/PM (AM/PM display)

Use the [▲] [▼] buttons to set the date and time.

- 3 Once all settings are complete, touch the [OK] button.

If the date is set to 2008 or earlier, a clock settings screen allowing you to set the correct date will appear after you exit the administration screen.

If you cancel and exit the clock settings screen without setting the date, you will return to the Start Guide screen.

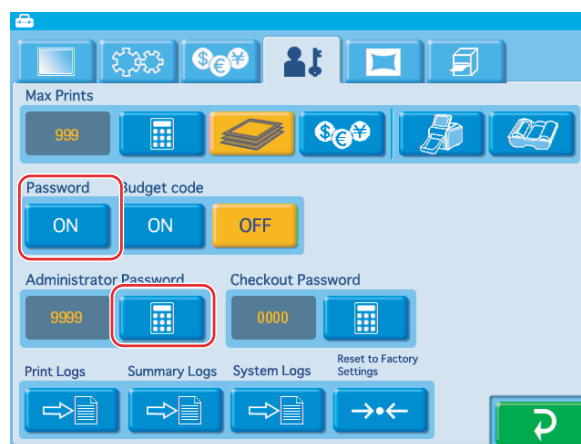
Setting the Administrator Password

You can change the password required to display the administration screen.

You can also set the administrator password as the password entered before printing.

The factory default setting for the administrator password is “9999.”

- 1 Open the Administration tab on the administration screen.



- 2 Touch the [ON] button under [Password].
- 3 Touch the [Administrator Password] button, and enter a four-digit password.

Selecting the Operation Mode

Select the operation mode suited to the intended application.

- 1 Open the System tab on the administration screen.
- 2 Under [Mode Selection], touch the desired operation mode.

The settings that need to be made depend on the operation mode that is selected.

For details on the settings for Full mode and Quick Print mode, see “*Settings in Full Mode and Quick Print Mode*” on page 34.

Settings in Full Mode and Quick Print Mode

Setting Prices

Set the prices for prints.

You can set the price per print for each size. You can also set additional fees for matte finishing and special prints such as index or border prints.

You can also set initial fees for each order. This initial fee will always be added, regardless of the number of prints ordered. When an initial fee is set, the total price is calculated as follows: (basic price + additional fee) × number of prints + initial fee.

Price setting example

Basic price	
3 × 5"	\$ 0.25
4 × 6"	\$ 0.25
5 × 7"	\$ 0.30
6 × 8"	\$ 0.40

Additional fee	
Index print	\$ 0.10
Border print	\$ 0.10
Split image	\$ 0.10
Matte finish	\$ 0.05

Other	
Initial fee	\$ 0.50

Total price example

This is an example of a total price calculated using the above prices.

- Order content: 3 × 5" size, border print, matte finish
- Number of prints: 5

Price per print: \$0.25 (3 × 5") + \$ 0.10 (border print) + \$0.05 (matte finish) = \$ 0.40

Total: \$ 0.40 (price per print) × 5 prints + \$0.50 (initial fee) = \$ 2.50

Memo

You can also vary the price per print based on the number of prints ordered (band pricing). For details on band pricing, see "Band Pricing" on page 37.

Prices are set on the Pricing tab of the administration screen.



Price Indication

Select [ON] to enable the price settings.

If this item is not set to [ON], total price calculation, receipt printing, and price display will be disabled.

Currency

Selects the currency to use when calculating the price for an order.

When you touch the button, a list of currencies such as indicated below appears. Touch the currency to use, and touch the [OK] button. When not displaying the currency, select [(12.34)] (to display decimal points) or [(1234)] (not to display decimal points).

On-screen abbreviation	Currency
AUD	Australian Dollar
CAD	Canadian Dollar
CHF	Swiss Franc
DKK	Danish Kroner
EUR	Euro
GBP	British Pound
GRD	Greek Drachma
ILS	Israeli Shekel
YEN	Japanese Yen
NOK	Norwegian Kroner
NT	Taiwan New Dollar
NZD	New Zealand Dollar
PHP	Philippine Peso
RMB	Chinese Yuan
Rs	Indian Rupee
RUB	Russian Ruble
SEK	Swedish Krona
SGD	Singapore Dollar
THB	Thai Baht
TRL	Turkish Lira

On-screen abbreviation	Currency
USD	US Dollar
HKD	Hong Kong Dollar
KRW	South Korean Won
MXN	Mexican Peso
BRL	Brazilian Real
COP	Colombian Peso
VEB	Venezuelan Bolivar
XCD	East Carribbean Dollar
ARS	Argentinian Peso
CLP	Chilean Peso
PEN	Peruvian Nuevo Sol
PAB	Panama Balboa
ECS	Ecuador Sucre
JMD	Jamaican Dollar
UYU	Uruguayan Peso
PLN	Polish Zloty


Pricing

Set prices for each print size, additional fees for special prints, and initial fees that will be added to each order. The price setting range is 0 - 9999 (0 - 99.99 depending on the currency).

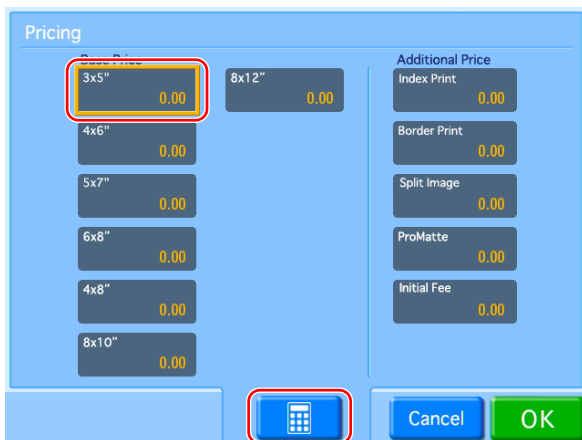
Note

The 4 × 8, 8 × 10, and 8 × 12 fields will be enabled if the printer has been expanded.


To set the prices

- 1 Touch the [Normal] button.
- 2 Touch the  button.

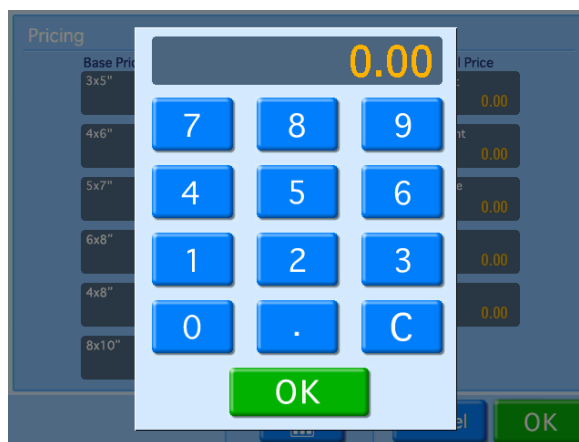
The following screen appears.



First, set the basic price per print for each size.

- 3 Select the size field for which to set a price, and touch the  button.


A numeric keypad appears.



- 4 Enter the price using the numeric keypad, and touch the [OK] button.

The price appears in the field selected in step 3.

Next, set the additional fee for special prints.

- 5 Select the special print field for which to set a price, and touch the  button.



A numeric keypad appears.

- 6 Enter the price using the numeric keypad, and touch the [OK] button.

The price appears in the field selected in step 5.

- 7 Once all price settings are complete, touch the [OK] button.

Setting the Passwords

When using this unit as a self-service photo kiosk in a store, the store staff needs to verify the number of prints and the charges, accept payment from the customer, and then input a password before the photos can be printed. The password is a four-digit number that is set beforehand on the administration screen.

Password entry screen example

There are two types of passwords.

Administrator password

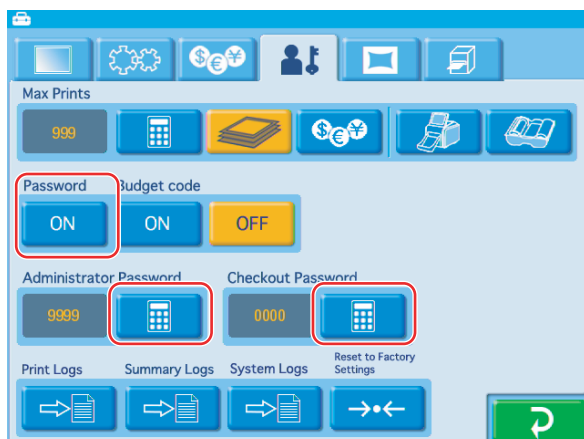
This password is needed to print photos and to display the administration screen. This password is only used by the person who is responsible for the setup and administration of the unit.



Checkout password

This password is input when printing photos. This password is used by staff in the course of serving customers.

The procedure for setting the passwords is described below.

- 1 Open the Administration tab on the administration screen.



- 2 Touch the [ON] button under [Password].
- 3 Touch the [Administrator Password]  button, and enter a four-digit password.
- 4 Touch the [Checkout Password]  button, and enter a four-digit password.

Printing without requiring a password

To permit printing without the password input screen appearing, touch the [OFF] button under [Password].

Band Pricing

You can vary the price per print based on the number of prints ordered. This allows you to offer discounts for large volume printing.

Prices can be set for each print size. You can also set additional fees for matte finishing and special prints such as index or border prints.

The additional fee for special prints is added to the band price for each print.

Note

If band prices are not configured, the prices configured for [Normal] will be applied. Items for which [Normal] prices apply will be displayed with the prices in parenthesis.

Band price setting example

	3 x 5"	4 x 6"	5 x 7"	6 x 8"
1 to 10 prints	\$ 0.30	\$ 0.30	\$ 0.40	\$ 0.50
11 to 50 prints	\$ 0.25	\$ 0.25	\$ 0.35	\$ 0.45
51 prints or more	\$ 0.20	\$ 0.20	\$ 0.30	\$ 0.40

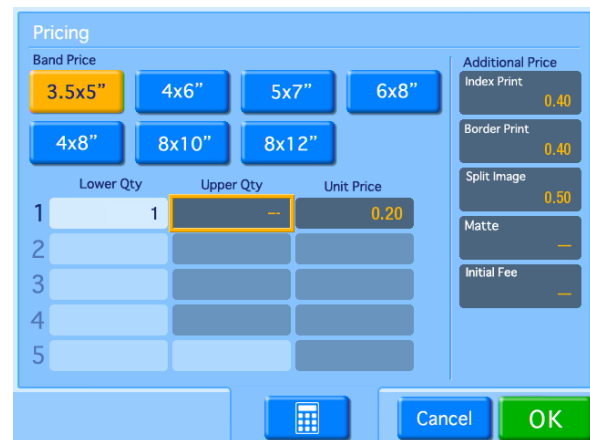
1 Open the Pricing tab on the administration screen.



2 Touch the [Band] button.

3 Touch the  button.

The following screen appears.




4 Under [Band Price], touch the button for the size that you want to set.

5 Set up the band pricing for the size that you selected.

Lower Qty: This value represents the lower end of the band to which the Unit Price value will apply. In the first line, this value is fixed at "1." In the second and subsequent lines, this value will be automatically set according to the Upper Qty setting in the previous line.

Upper Qty: This value represents the upper end of the band to which the Unit Price value will apply. If no upper limit is desired for this band, leave this field blank.

Unit Price: This value represents the price per print for this band.

To input values in each of the fields, touch the desired field and then touch the  button.

An example setting is shown below.

Band pricing setting example


1 to 10 prints	\$ 0.50
11 to 50 prints	\$ 0.40
51 or more prints	\$ 0.30

Input example

	Lower Qty	Upper Qty	Unit Price
1	1	10	0.50
2	11	50	0.40
3	51		0.30

6 Repeat this process for the other sizes by first touching the size button and then setting the band pricing.

7 Set the additional prices for special prints.

First touch the desired field, then touch the  button and use the numeric keypad to input the prices.

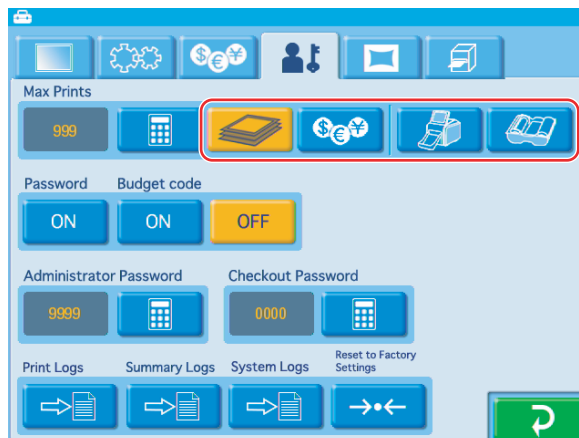
8 Once you have set all of the necessary fields, touch the [OK] button.

Setting the Maximum Number of Prints


This function sets the maximum number of prints that can be printed. The maximum can be set in the following four modes.

- **Number of prints in one order (Order)**
The maximum number of prints can be set in a range from 1 to 999 prints. This maximum for a single order remains in effect even if another mode is set.
- **Price of one order (Price)**
Printing is disabled when the price of a single order exceeds the specified price. The maximum price can be set in a range from 1 to 9999 or 0.01 to 99.99. If you enter 0, there will be no limit for order prices. The maximum price remains in effect even if another mode is set.
- **Cumulative number of prints (Rental)**
This setting limits the total number of prints that can be made with the unit, making this setting suitable for applications where the unit is rented out, etc. The cumulative counter continues to increase, even after printing pack replacement. This maximum can be set in a range from 1 to 9999 prints.
- **Until ink ribbon is consumed (Ink Ribbon)**
This setting determines the maximum number of prints on the basis of the amount of ink ribbon remaining. You cannot set the maximum number of prints when Ink Ribbon is selected.

1 Open the Administration tab on the administration screen.



2 Touch either the  (Order),  (Price),  (Rental), or  (Ink Ribbon) button.




3 Touch the  button and input the maximum number of prints that can be printed.

If Ink Ribbon is selected, this maximum cannot be set.

When Rental or Ink Ribbon is selected


When you select Rental or Ink Ribbon, Order and Price configurations are also enabled simultaneously. Configure Order and Price settings before selecting Rental or Ink Ribbon when using either of these modes.

If you reconfigure Order and Price settings after selecting the Rental or Ink Ribbon mode, be sure to touch the Rental and Ink Ribbon buttons again to reselect them.

As you touch the  button and other tabs while navigating the administration screen, check to make sure that the  and  buttons are still selected.

When Rental is selected

If Rental is selected, the remaining number of prints available is displayed. When this number reaches “0,” no more prints can be made until the setting for the maximum number of prints is reset.

To reset the maximum number of prints, touch the  button and input the new maximum.

When the Price setting is configured

The maximum price includes the basic price and additional fees. The maximum price setting also assumes that matte finish is always selected. (This is because matte finish can be selected during order confirmation.)

Using Budget Codes

When direct payment for photos is not required, such as when using the unit for in-house purposes, budget codes can be used to keep track of printing costs incurred by each department/project.

In this case, the budget code is entered instead of a password.

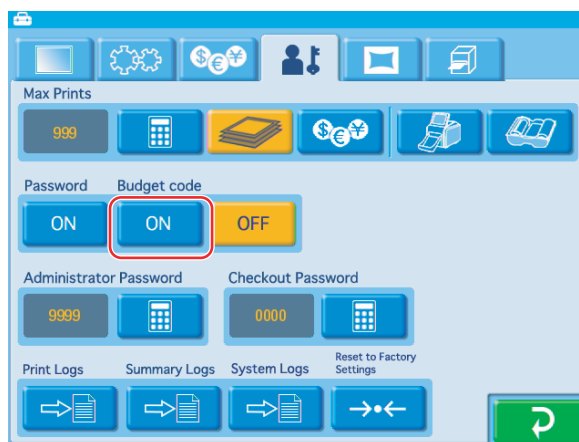
Budget codes are four-digit numbers that are assigned beforehand to individual departments or projects.

When a budget code is used, the cost is tracked according to the code that is input.

Budget code entry screen example

Settings for using budget codes

- 1 Open the Administration tab on the administration screen.



- 2 Touch the [ON] button for [Budget Code].

You can confirm the number of photos printed for each budget code by opening and exporting the print log from the Administration tab of the administration screen. For details, see “*Displaying the Print Log*” on page 54.

Setting Cut Mode

It is possible to print in non-standard sizes when using the 2UPC-R205 series, 2UPC-C26 series, or 2UPC-R206 series printing pack. This function allows you to print several different print sizes without having to replace the printing pack.

If Cut mode is set, a print size selection screen appears at the start of the ordering process.

The following print sizes can be set in Cut mode.

2UPC-R205 Series

- 5 × 7 (standard print size)
- 3.5 × 5 (standard print size, cut in half)

2UPC-C26 and 2UPC-R206 Series

- 6 × 8 (standard print size)
- 5 × 7 (image is printed in 5 × 7 on 6 × 8 paper, leaving a blank border)
- 4 × 6 (standard print size, cut in half)



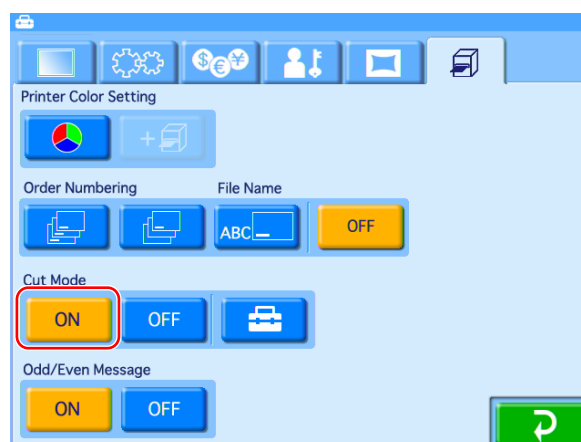
Note

When printing an image that is half the size of a standard print (3.5 × 5" for the 2UPC-R205 series and 4 × 6" for 2UPC-C26/2UPC-R206 series), the amount of paper and ink used is that same as the amount used when printing the standard sized print. As a result, when you print orders that result in images filling only part of a sheet, the paper and ink for that sheet are partially wasted.

When [Odd/Even Message] is set to [ON] and a print order results in images that fill only part of a sheet, a message prompting customers to order additional images appears.

Setting Cut mode

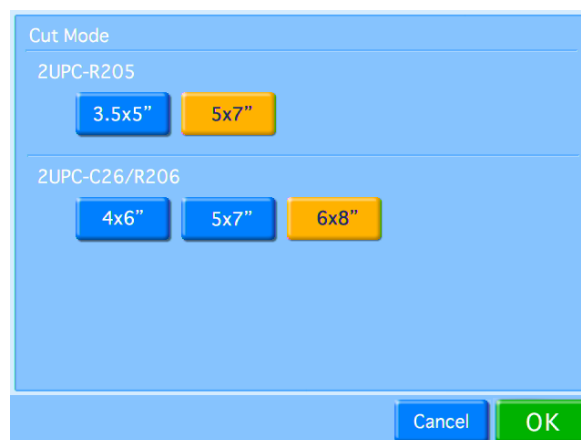
- 1 Open the Print tab on the administration screen.



- 2 Touch the [ON] button for [Cut Mode].

- 3 Touch the  button.

The following screen appears.



- 4 Select the size to be printed.

You can select multiple sizes.

- 5 Touch the [OK] button.

The display returns to the Print tab.

- 6 Select [ON] for [Odd/Even Message] if necessary.

When [Odd/Even Message] is set to [ON] and a print order in Cut mode results in images that fill only part of a sheet, a message appears.

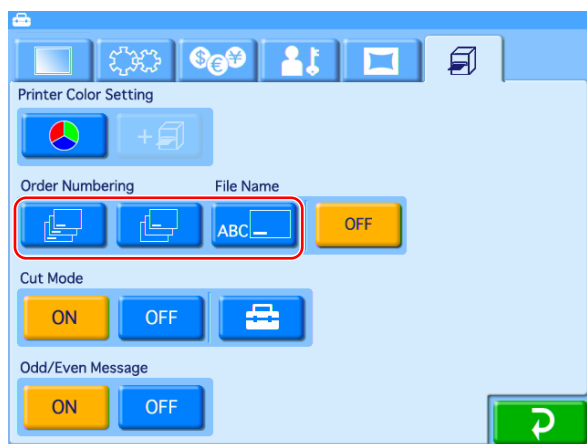
The [Odd/Even Message] setting is disabled when a menu other than [Select & Print] is selected in the main menu.

Watermarking Order Numbers or File Names on Prints

This setting determines whether the order number or file name is printed on the prints.

The order numbers or file name is printed as a watermark on the edge of the photo.

Open the Print tab on the administration screen and then touch [Order Numbering] or [File Name].



(Print all)

Prints the order number on all prints.

(Print first only)

Prints the order number only on the first image of each order. If you print multiple copies of the first image, the order number is printed on each copy.

(Print file name)

Prints the file name of the image on each print.

Notes

- “Print file name” cannot be used for split images and index prints.
- You can only print file names consisting entirely of alphanumeric characters.
- When printing with watermark lamination, you cannot print order numbers or file names on the photos.

OFF

No order number or file name is printed.

Using Expansion CompactFlash Cards

Functions That Require an Expansion CompactFlash Card

A CompactFlash card (**expansion CompactFlash card**) for storing essential data and settings is required in order to use the following functions:

- Printing images that include a border or text
- Displaying promotional images
- Exporting the system log or print log
- Printing via Bluetooth communication
- Creating a password file
- Preloading images to be printed
- Printing images from digital cameras with wireless functions
- Printing with watermarks (watermark lamination)

An expansion CompactFlash card is created using any commercially available CompactFlash card. CompactFlash cards (Type I and Type II) and Microdrives can be used. We recommend using a CompactFlash card with a capacity of at least 512 MB and a fast read/write speed.

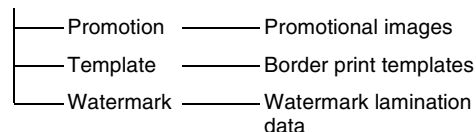
Directory Structure for Expansion CompactFlash Folders

Data such as promotional images and templates for border prints is stored on the expansion CompactFlash card. The folder structure on the expansion CompactFlash card is as follows.

As the folder structure on the supplied CD-ROM is identical, you can create an expansion CompactFlash card by copying folders directly from the CD-ROM.

You will need at least 512 MB of memory in order to copy all of the data stored on the CD-ROM.

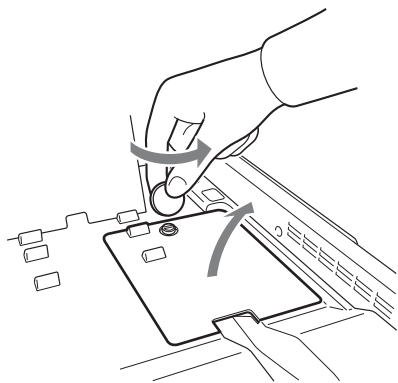
— Sony — UPCR20



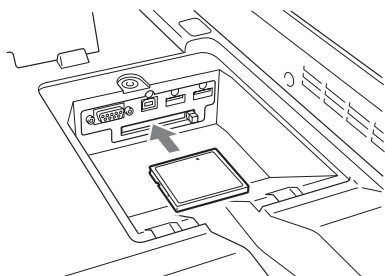
Installing a CompactFlash Card in the Unit

The CompactFlash card that you wish to use as an expansion must be installed in the expansion CompactFlash slot on the unit.

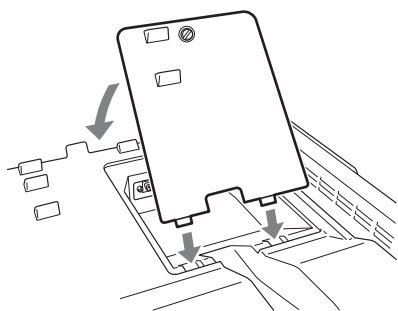
- 1 Remove the screws securing the cover of the expansion port, and then open the cover.



- 2 Insert the CompactFlash card in the expansion CompactFlash slot.

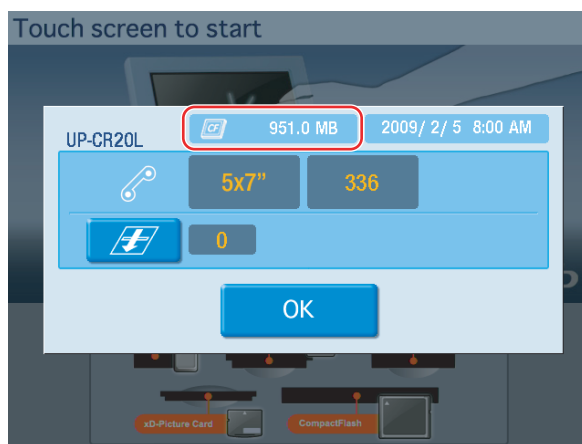


- 3 Close the cover of the expansion port.



Checking the Remaining Capacity on the Expansion CompactFlash Card

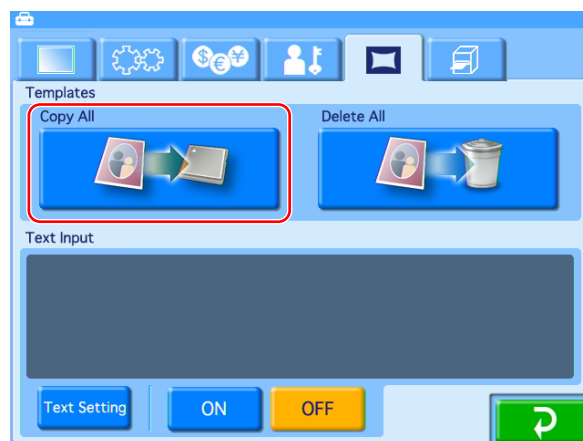
You can confirm the remaining capacity on an expansion CompactFlash card installed on the unit in the confirmation screen for the remaining ink ribbon. For details on how to display the confirmation screen for the remaining ink ribbon, see “*Checking the Remaining Ink Ribbon*” on page 24.



Copying Data from the Supplied CD-ROM

The CD-ROM supplied with the unit contains promotional images and border print data. You can copy this data from the CD-ROM onto the expansion CompactFlash card.

- 1 Open the Template tab on the administration screen.



- 2 Touch the [Copy All] button.

A message prompting you to insert the CD-ROM appears, and the CD/DVD drive tray opens.

- 3 Insert the CD-ROM into the CD/DVD drive, and touch the [OK] button on the screen.

The data is copied from the CD-ROM onto the expansion CompactFlash card.

When copying is complete, the tray will open. Remove the CD-ROM.

Copying User Created Data

You can create original promotional images and templates for border prints, and copy the data for use on this unit. Use a memory card or USB memory device to copy data created on a computer onto the expansion CompactFlash card.

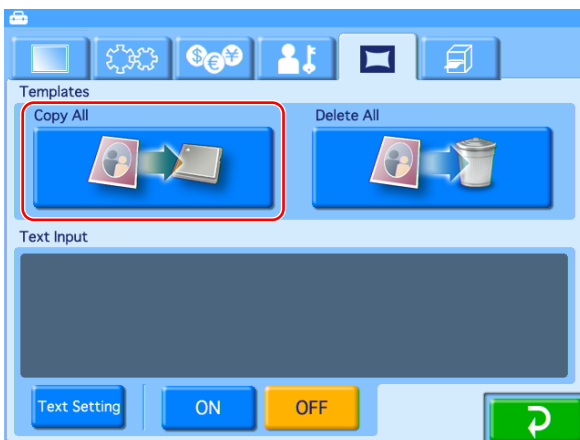
- 1 Connect a memory card or USB memory device to your computer.
- 2 Copy the user created data onto the memory card or USB memory.

Structure the folders on the memory card or USB memory device in the same way as the folders on the expansion CompactFlash card. For details on folder structure, see “*Directory Structure for Expansion CompactFlash Folders*” on page 41.

Note

If a file path consists of more than 200 characters or includes non-alphanumeric characters, the unit may not be able to read the file.

- 3 Confirm that an expansion CompactFlash card is installed in this unit.
- 4 Open the Template tab on the administration screen.



- 5 Touch the [Copy All] button.

- 6 Insert the memory card or USB memory device on which the data is copied into the appropriate slot on the unit.

All of the data is copied from the memory card or USB memory to the expansion CompactFlash card.

Deleting All Data on the Expansion CompactFlash Card

You can delete all of the data stored on the expansion CompactFlash card by touching the [Delete All] button in the Template tab of the administration screen.

Note

All folders and files stored under the “\Sony\UPCR20” folder on the expansion CompactFlash card will be deleted. This includes folders and files that are read-only.

Setting Promotional Images

■ Applicable modes: Full mode, Quick Print mode

You can display any desired promotional images while the unit is in the standby state.

Up to five promotional images can be set to be displayed sequentially.

In addition, when promotional images are set for display, you can also select whether or not to display the standard start screen.

Creating promotional images

Use any commercially available photo editing software to create the promotional images.

Store the newly created promotional images in the “\Sony\UPCR20\Promotion\” folder on a memory card or USB memory.

Promotional image specifications

Image size: 640 × 480 pixels

File format: JPEG or 24-bit bmp

(Baseline JPEG. Progressive JPEG is not supported.)

File names: promo1.jpg/bmp – promo5.jpg/bmp

File location: \Sony\UPCR20\Promotion

Copying promotional images to the unit

- 1 Make sure that an expansion CompactFlash card has been inserted.
- 2 Open the Template tab on the administration screen and then touch the [Copy All] button.

- 3 Insert the memory card or USB memory containing the promotional images into the slot on the unit.


For details on copying, see “*Copying User Created Data*” on page 43.

To set the display interval for promotional images

When multiple promotional images are to be displayed, you can set the display interval of each image. When the display time elapses, the next promotional image appears.

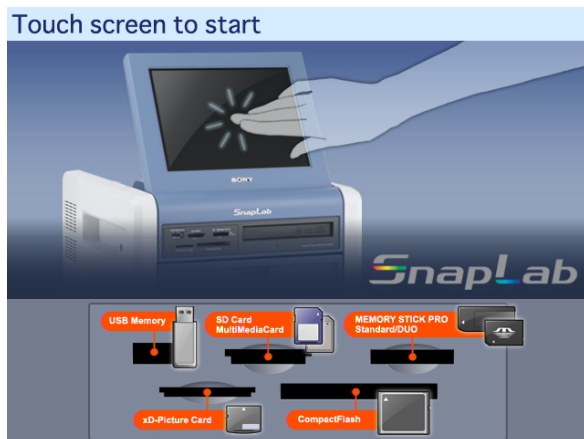
- 1 Open the Screens tab on the administration screen.



- 2 Under [Promotional Images], touch the [ON] button.
- 3 Touch the  button, and input the desired interval. The interval can range from 5 to 60 seconds.

To turn the Start screen on/off

When promotional images have been set, you can choose to hide the following Start Guide screen.



To hide the Start Guide screen, select [OFF] for [Start Guide] in the Screens tab of the administration screen.

Adding Borders

■ Applicable modes: Full mode, Event mode

In addition to the borders stored on the CD-ROM provided with the unit, you can also create and use original border designs.

Creating border designs

Use commercially available image processing software to create border designs. You must convert the created designs to a format supported by the unit.

For the details on how to create border designs, please visit the UP-CR20L support page at <http://www.sony.net/snaplab>.

To copy a newly created border

- 1 Make sure that an expansion CompactFlash card has been inserted.
- 2 Open the Template tab on the administration screen and then touch the [Copy All] button.
- 3 Insert the memory card or USB memory containing the new border into the slot on the unit.

For details on copying, see “*Copying User Created Data*” on page 43.

Adding Text to Images

You can create prints with text superimposed on the images. Text can also be superimposed on borders. Only alphanumeric characters can be superimposed on images. If you want to add non-alphanumeric characters or decorative text, create border designs that include the desired text.

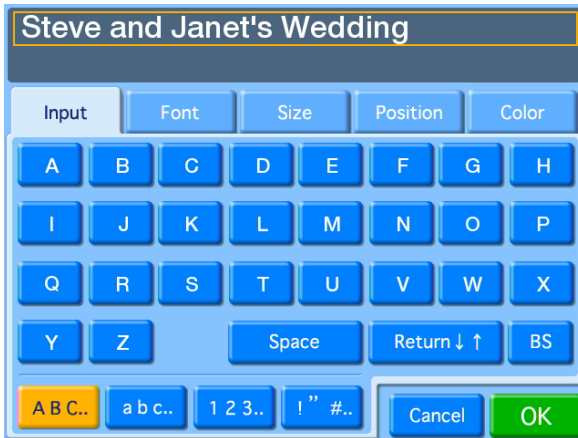
Note

Any text that you set is added to all images printed.

- 1 Open the Template tab on the administration screen.

- 2** Touch the [Text Setting] button.

The text input screen appears.



- 3** Use the [Input] tab to input the text. Use the other tabs to format the text.

[Input] tab

Touch the keys shown on the screen to enter text. You can enter up to two lines, each containing up to 64 alphanumeric characters. To make a correction, touch the [BS] (Backspace) button. If you keep touching the button, the entire line where the cursor is located will be erased.

[Font] tab

Lets you select the font to be used.

[Size] tab

Use the [+] and [-] buttons to control the text size. The size setting range is 4 - 72 points, in 2-point steps.

[Position] tab

Lets you specify the location and orientation of the text.

[Color] tab

Lets you specify the text color.

Note

Depending on the number of characters and text size selected, it may not be possible to print the entire text in some cases.

- 4** Once all of the text has been input, touch the [OK] button.

The display returns to the Template tab.

- 5** Touch the [ON] button under [Text Input].

Printing with Watermarks (Watermark Lamination)

- Expansion CompactFlash card required
- Applicable modes: All operation modes

Logos, text, illustrations, and other custom designs can be printed on photos as watermarks. For details on how to create and use watermark lamination designs, please visit the UP-CR20L support page at <http://www.sony.net/snaplab>.

Note

When using the watermark lamination function, you cannot print order numbers or file names on the photos.

Creating Watermark Designs

Create and save watermark designs as image data. Use any commercially available photo editing software to create the image data. Create the image data in monochrome. The black portions of the image data will be used for the watermark finish and printed with matte processing.

Memo

Use the sample watermark lamination designs stored in the \Sample\Watermark folder of the supplied CD-ROM as a guide when creating designs.

Use the following sizes and file names for the image data.

Print size	Image size ¹⁾ (horizontal × vertical pixels)	File name
3.5 × 5	1728 × 1210	watermark_3x5.png
4 × 6	2048 × 1382	watermark_4x6.png
5 × 7	1728 × 2380	watermark_5x7.png
6 × 8	2048 × 2724	watermark_6x8.png

1) Be sure to create images that are within the horizontal and vertical size limits. Rotating these dimensions and saving will result in improper printing.

The file format is as follows.

- Gradation: 8-bit¹⁾
- Color: Grayscale
- File format: PNG (non-interlaced)²⁾

1) 4-bit gradation process during printing.

2) Interlaced files cannot be used. When saving the PNG file with your photo editing software, select the “no interlace” option.

Note

The outer edges of the image data (65-pixel wide border on all four sides) may not print.


Copying Image Data onto the Expansion CompactFlash Card

Use a memory card or USB memory device to copy the created image data onto the unit’s expansion CompactFlash card. Create the folder directory, “\Sony\UPCR20\Watermark,” for storing the created image data on the memory card or USB memory device. To use the sample image data stored on the supplied CD-ROM, copy the \Sample\Watermark folder from the CD-ROM onto the memory card or USB memory device under the \Sony\UPCR20\Watermark folder.

For details on using the memory card or USB memory device to copy the image data onto the expansion CompactFlash card, see “Copying User Created Data” on page 43.

Printing with Watermarks

To print photos with watermarks, select [Matte] under [Print Finish]. Print finish selections can be made in the following situations.

- When you touch [Matte] in the order confirmation screen.
- When you touch  in the image selection screen or main menu (in Event mode), and then touch [Matte] in the screen that appears.

Notes

- If a watermark lamination file is stored on the expansion CompactFlash card, you cannot print with matte finishing even if you select [Matte].
- If the glossy print finish is selected, the watermark lamination will not be printed.

Setting Image Preload

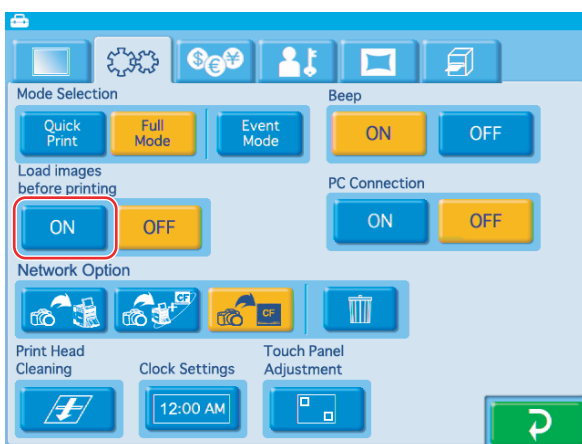
■ Expansion CompactFlash card required

You can select whether data for ordered images is loaded onto the unit before printing begins. When image preload is enabled, data for ordered images is loaded from a memory card or CD/DVD onto the expansion CompactFlash card immediately before printing begins. When loading is complete, the memory card and CD/DVD removal screen appears. As users must remove their memory cards before printing begins, this function minimizes the risk of users forgetting their memory cards.

Notes

- When this function is enabled, the number of images that can be printed in a single order is limited to the available capacity on the expansion CompactFlash card. When printing index prints, split image prints, or other such prints that include multiple images on a single sheet, each of these images are copied onto the expansion CompactFlash card. Therefore, be sure to use an expansion CompactFlash card with a large capacity.
- Images may take longer to load before printing, depending on the number and size of images ordered.
- When this function is enabled, it is not possible to go back and change order settings after advancing to the order confirmation screen.

- 1 Open the System tab on the administration screen.



- 2 Touch the [ON] button for [Load images before printing].

Hint

When image preload is disabled, images are loaded from a memory card or CD/DVD during printing. When printing is complete, a message prompting the user to remove their memory card or CD/DVD appears on the screen.

Entering Passwords Using Memory Cards (Remote Password Input)


■ Expansion CompactFlash card required

When the checkout password is requested, instead of using the onscreen numeric keypad to enter the password, it is possible to use a memory card or a USB memory in which the password has previously been stored.

In order to do so, it is necessary to first create a file containing the password (the password file) on the administration screen, and then store that file in a memory card or USB memory.

The memory card or USB memory containing the password file can be read by inserting it into a card reader connected to the USB port (host) located at the top of the unit, or into the USB port (host) itself. The memory card slot on the front of the unit can also be used.

Creating a password file

- 1 Make sure that an expansion CompactFlash card has been inserted.
- 2 On the Administration tab of the administration screen, set the checkout password and then touch the  button.

The password file (named "snaplab.txt") is created in the root folder of the expansion CompactFlash card. The file contents are described below.

```
[password]
pass=****
```

**** = Password that was set

- 3 Remove the expansion CompactFlash card, and copy the password file to the root folder of the memory card to be used.

The password file cannot be used as is, stored in the expansion CompactFlash card.

Note

No password file is created when setting the administrator password.

Preparing for Printing Using Bluetooth® Communication

■ Expansion CompactFlash card required

Using an optional Bluetooth USB adaptor¹⁾, you can print images sent wirelessly from Bluetooth-compatible devices such as mobile phones. The same print services that are available when printing from a memory card are also available when sending images via Bluetooth communication.

1) For more on compatible Bluetooth USB adaptors, see "Optional accessories" on page 81 of "Specifications."

The following preparations are necessary in order to use Bluetooth communication for printing.

- Insert an expansion CompactFlash card
Make sure that an expansion CompactFlash card is inserted in the expansion CompactFlash slot at the top of the unit.
- Insert a Bluetooth USB adapter (sold separately)
Insert a Bluetooth USB adapter into the USB port (host) at the top of the unit.

Requirements for Bluetooth Communication

Compatible profiles

This unit supports the following profiles.

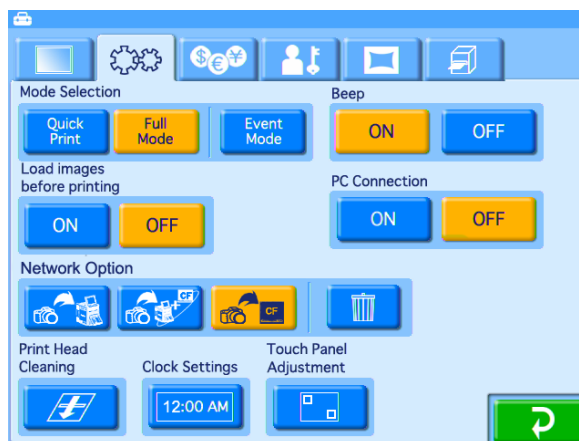
- BIP (Basic Imaging Profile)
- OPP (Object Push Profile)

For details on profiles supported by your Bluetooth-compatible device, refer to the operating instructions for your device.

What is a profile?

A profile is a set of definitions used for Bluetooth communication. There are a number of different profiles that are used, depending on the purpose and specific characteristics of the devices involved. To communicate via Bluetooth, both devices must support a common profile.

System Settings



Beep Setting

Determines whether a beep is heard while performing operations or when an error occurs.

To turn the beep on or off, touch the [ON] or [OFF] button under [Beep] on the System tab of the administration screen.



Options while Using Commercially Available Wireless Devices

■ Expansion CompactFlash card required

Using an optional wireless adaptor¹⁾, you can send images from a digital camera with built-in wireless functions through camera operations. For details on settings and operations for the wireless adaptor, refer to the operating instructions for your wireless adaptor.


1) A Silex Technologies SX-WSG1 is required. For details, please visit the UP-CR20L support page at <http://www.sony.net/snablabs>.

You can also configure how the images are processed after they are sent. The following options are available for selection under [Network Option].

-  **(Print image)**
Print the sent images. After printing is finished, the sent images will be deleted from the expansion CompactFlash card.
-  **(Print and save image)**
Print the sent images and store them on the expansion CompactFlash card. Stored images can be printed from the Save folder.

-  **(Save image)**

Store the sent images on the expansion CompactFlash card. Stored images can be printed from the Save folder.

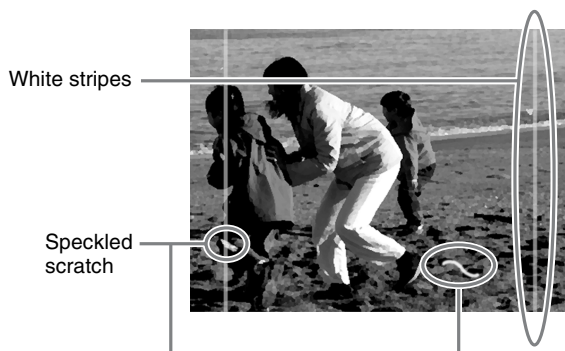
To delete images stored in the Save folder, touch the  button.



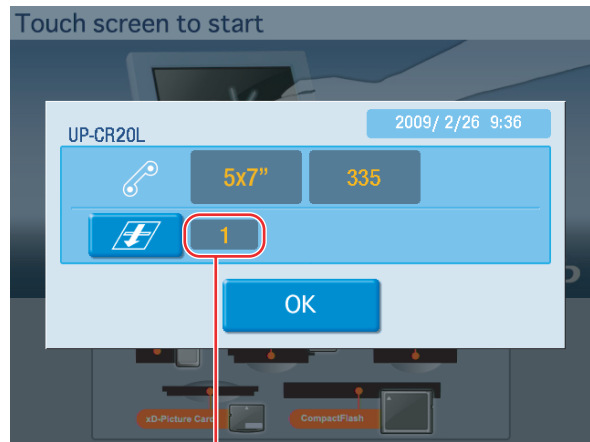
Cleaning

Cleaning the Interior


If defects such as white stripes and speckled scratches begin to appear in printouts, you may need to clean the thermal head and rollers.



You can check whether cleaning is necessary in the confirmation screen for the remaining ink ribbon. To display the confirmation screen for the remaining ink ribbon, touch the top right corner of the Start Guide screen twice in succession.



Number of prints


When the total number of prints exceeds a fixed value, a message indicating that cleaning is necessary appears. If this occurs, touch the  button to begin cleaning.

The following items are necessary to perform interior cleaning.

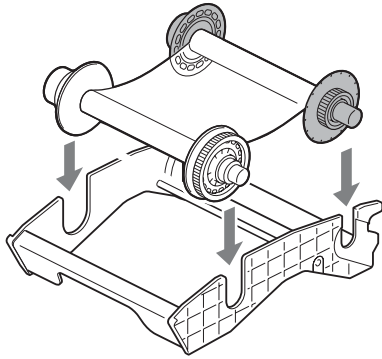
- The cleaning ribbon supplied with the printer
- The cleaning sheet (Cleaning Sheet 200) supplied with the printing pack
- Print paper

Notes

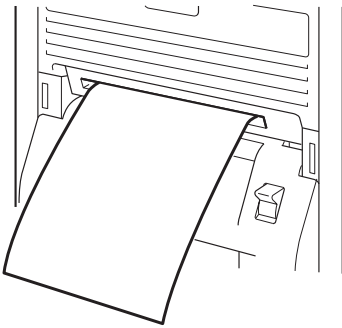
- The cleaning ribbon is reusable. Do not throw it away.
- As the cleaning sheet is not reusable, discard it after the first use.
- If there is insufficient print paper remaining, an error may occur. If this occurs, replace the print paper and begin the cleaning process again.

- 1 Touch the  button.
- 2 Remove the output cover, output tray, and scrap receptacle.
- 3 Check the remaining amount of print paper.

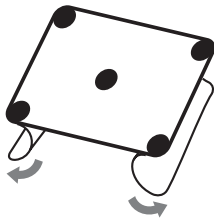
- 4 Open the ribbon door, and remove the ribbon tray.
- 5 Remove the ink ribbon, and replace it with the cleaning ribbon.



- 6 Load the ribbon tray into the printer, and close the ribbon door.
- 7 Touch the [OK] button in the message.
About 20 cm of paper is ejected automatically, and the message to start cleaning appears.



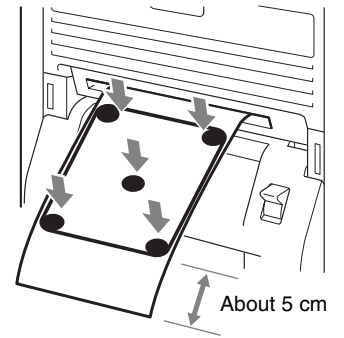
- 8 Remove the paper from the back side of the cleaning sheet (the side without illustrations).
Be careful not to remove the paper from the wrong side of the sheet.



- 9 Refer to the following illustrations according to the width of your paper roll, determine the orientation of the cleaning sheet, and affix the sheet evenly onto the paper 5 cm away from the edge.

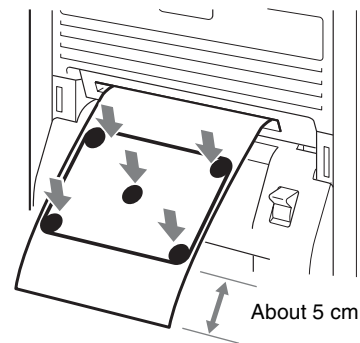
When using the 2UPC-R203/R205 series printing pack

Affix the cleaning sheet vertically.



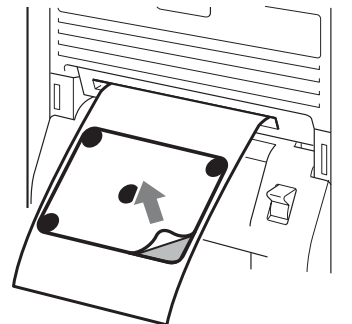
When using the 2UPC-R204/C26/R206 series printing pack

Affix the cleaning sheet horizontally.



- 10 Remove the paper from the front side of the cleaning sheet.

Make sure that the four corners of the cleaning sheet are firmly affixed and not curling up.



- 11 Touch the [OK] button in the message.

Cleaning for the thermal head and roller starts, and dust and particles are removed from the interior. When cleaning is finished, the print paper is cut and the cleaning sheet is ejected.

Note

After cleaning is finished, make sure that the cleaning sheet is completely ejected. If any part of the cleaning sheet remains, cut off all portions of the print paper on which the cleaning sheet is still affixed before further operation.

12 Open the ribbon door, and remove the cleaning ribbon.

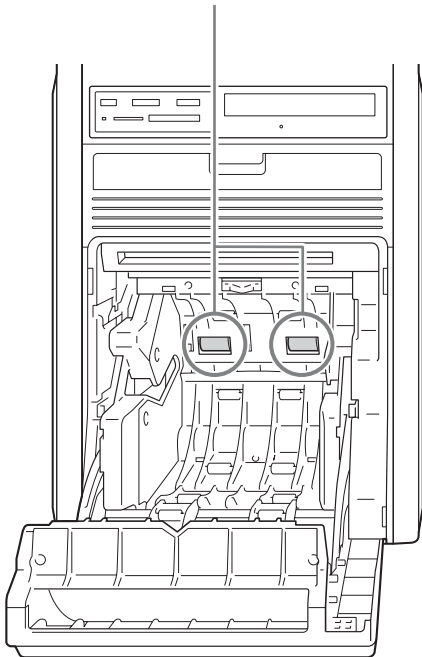
To clean the paper feed roller

If the paper feed rollers are dirty, gently wipe the rollers with a soft cloth moistened with alcohol while turning the rollers.

Note

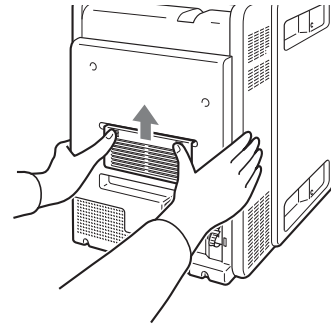
Be sure to turn off the POWER switch and disconnect the power cord before cleaning the paper feed roller.

Paper feed roller

**Cleaning the Ventilation Filter**

A filter for the ventilation holes is located at the rear of the unit. Clean the filter about once every month regularly. If the filter is dirty, the time required for cooling the thermal head is lengthened and this causes the printing time to become longer.

1 Press upward on the top portion of the filter cover, and remove the filter cover.



2 Remove the filter from the filter cover.

The filter is held to the filter cover at four different points.

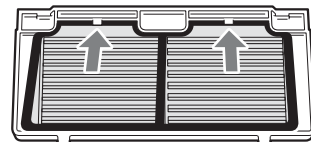


3 Wash the filter with water to remove the dust.

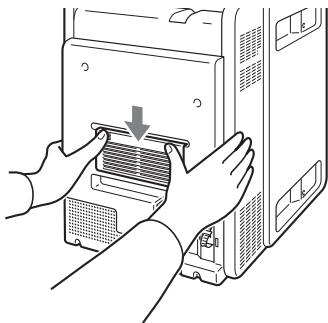
Note

Do not rub the netting of the filter roughly.

4 After the filter is completely dry, reattach it to the filter cover.



- 5 Reattach the filter cover onto the printer.



Cleaning the Cabinet

If the cabinet is dirty, wipe it using a cloth that has been soaked in water, or mild detergent diluted in water, and thoroughly wrung out. Wipe the cabinet dry using a dry cloth.


Do not use thinners, benzene, alcohol, chemical cloths, or other solvents that may damage the finish.

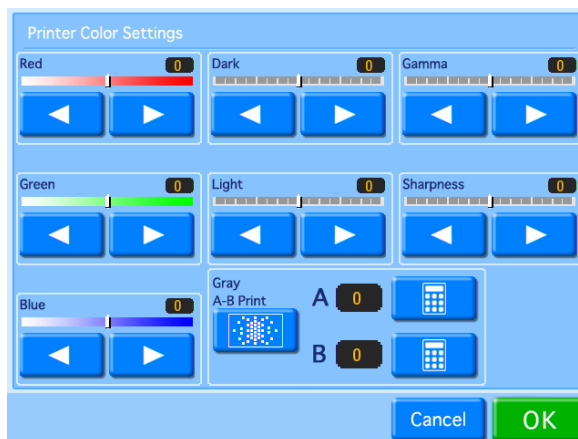
Cleaning the Display

If the display is dirty, wipe it using a dry cloth or a cloth that has been soaked in water and thoroughly wrung out. Do not use even mild detergents as doing so may damage the surface of the display. Never rub or strike the surface of the display with hard objects.

Setting the Printer Image Quality

Adjusting the Printer Image Quality

To adjust the printer image quality, open the Printer tab on the administration screen and then touch the  button. The following screen appears.



Printer Color Settings

Adjust the color settings by touching the [◀] and [▶] buttons for each item.

Red, Green, Blue

Adjusts the color component of the respective color.

Dark, Light

Adjusts the gradation in dark and light sections.

Gamma

Adjusts the halftone density.


Sharpness

Adjusts the outline sharpness of the image.

Adjusting the Gray Balance

In this unit, the gray balance value measured as being colorless is set as adjusted value No. 0. The following procedure is used to adjust the gray balance to a desired tint.

Note that in some cases the gray balance of the ink ribbon and the printing paper may be subject to some deviation due to conditions during transport, etc.

- 1 Open the Print tab on the administration screen, and then touch the  button.

2 Touch the  button.


Two patches, A and B, are printed. The gray pattern from No. 0 to No. 88 is printed in each.

In the case of the 2UPC-R203 series and 2UPC-R204 series, patch A and patch B are printed separately on two sheets.

In the case of the 2UPC-R205 series, 2UPC-C26 series, and 2UPC-R206 series, patch A and patch B are printed on one sheet.

Based on the printed results, decide which patterns, from among each series of No. 0 to No. 88, provide the optimal gray balance.


3 Enter the number of the desired pattern from print A in [A] next to [Gray A - B Print].

To input the number, touch the  button.

4 Similarly, enter the number of the desired pattern from print B in [B] next to [Gray A - B Print].

5 Touch the [OK] button.

Setting the Image Quality for an Expansion Printer

1 Open the Print tab of the administration screen and touch the  button.

The image quality adjustment screen appears.

2 Using this screen, adjust the image quality in the same manner as for this unit.

Note

For details on adjusting the gray balance on expansion printers, refer to the operating instructions for your expansion printer and please visit the UP-CR20L support page at <http://www.sony.net/snaplab>.

Displaying Logs

The print log and system log can be displayed.

Displaying the Print Log

The print log can be displayed by opening the Administration tab on the administration screen and then touching the [Print Logs] button.

Order No.	Date and Time	Print Size	Print Type	Quantity	Price
0001	2008/ 7/30 15:16	5x7"	P	0/1	0.00
0002	2008/ 7/30 16:39	5x7"	P	0/1	0.00
0003	2008/ 7/30 16:44	5x7"	P	0/1	0.00
0004	2008/ 8/ 1 17:15	5x7"	P	0/1	0.00
0005	2008/ 8/ 1 17:17	5x7"	P	0/1	0.00
0006	2008/ 8/11 14:03	5x7"	S	1/1	0.25

The following information is displayed for each order.

- Order No.
- Date
- Print size
- Print type (P: Select & Print, I: Index Print, S: Split Image, B: Border Print, A: Express Print)
- Number of prints
- Price

button

Touch this button to export the print log to an expansion CompactFlash card in CSV file format. If budget codes are being used, the budget code data is included in the exported CSV file.

Adjusting the Touch Panel

This function is used to calibrate the touch panel.

- 1 Open the System tab on the administration screen, and touch the [Touch Panel Adjustment] button.

The touch panel adjustment screen appears.
A box appears on this adjustment screen.



- 2 Touch the box that appears on the screen.

When you touch the box, a new box appears at a different location on the screen. Keep touching the boxes as they appear. When no more boxes appear, adjustment is complete.

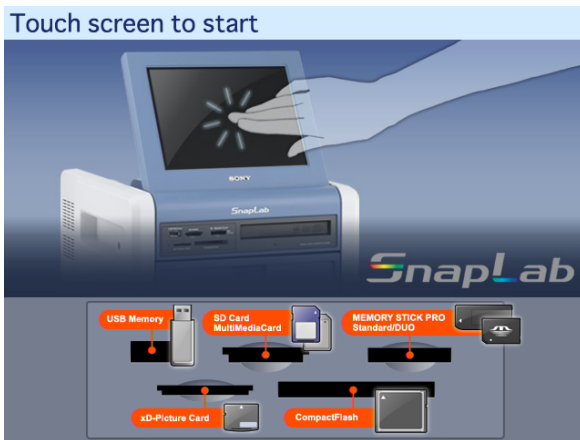
Restoring the Factory Settings

To reset the unit back to its factory settings, open the Administration tab on the administration screen, and then touch the [Reset to Factory Settings] button.

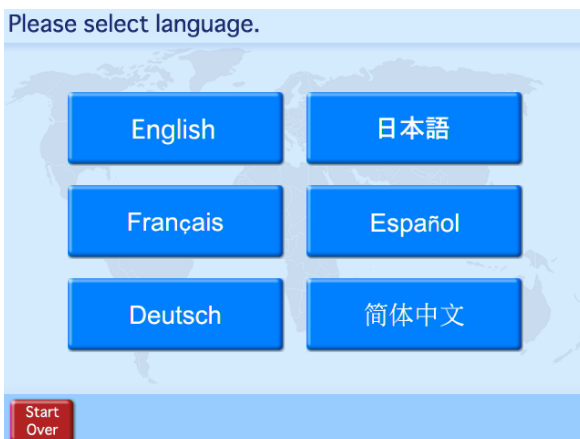
Starting Operation

■ Applicable modes: All operation modes

1 Touch the screen anywhere.



The language selection screen appears.

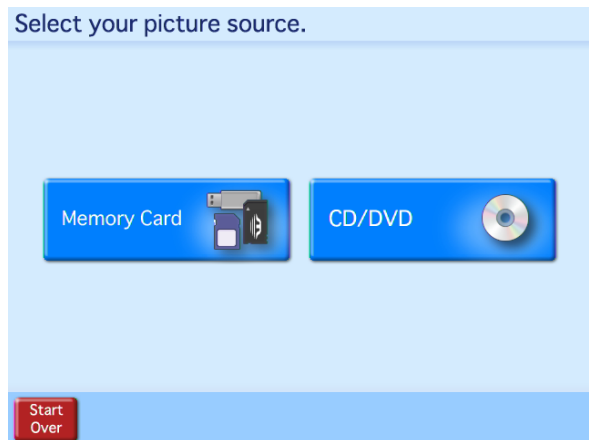


The above screen will not appear in the following circumstances.

- When Event mode is set
- When only one language is set for use

2 Touch the desired language.

A notice regarding the use of the unit appears. Read the notice and then touch the [OK] button. The input method selection screen appears.



3 Select the desired input method for the image data.

Memory Card

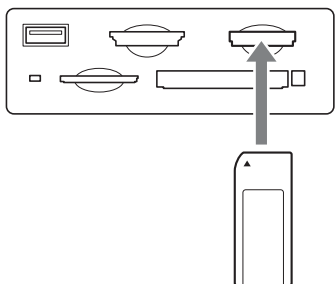
Select this method to load the image data from a memory card (such as a “Memory Stick”) or a USB flash memory.

CD/DVD

Select this method to load the image data from a CD or DVD.

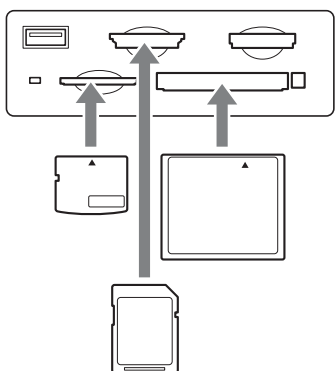
4 If you selected [Memory Card], insert the memory card into the slot on the front of the unit. If you selected [CD/DVD], place the disk in the tray in the front of the unit.

To insert a “Memory Stick”



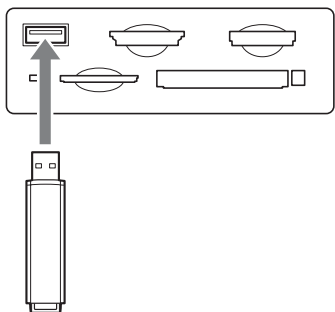
With the label facing up, fully insert the “Memory Stick” in the direction indicated by ▲.

To insert an SD Card, miniSD Card, MultiMediaCard, CompactFlash Card, or an xD-Picture Card



With the label facing up, fully insert the card in the direction indicated by ▲.

To insert USB Memory

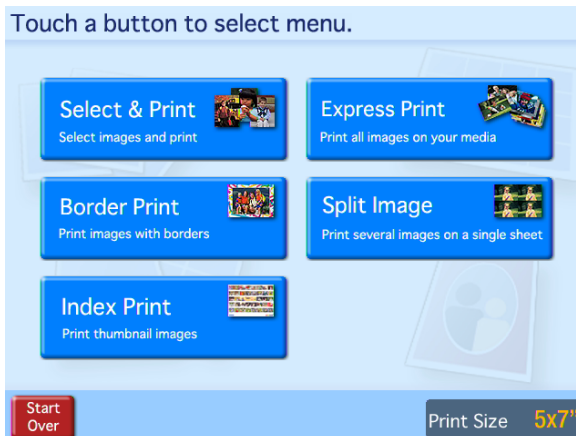


Notes

- Always back up the data stored on a memory card before using it.
- Multiple memory cards cannot be used at the same time.
- Do not use a CompactFlash adapter. Using such adapters can result in a loss of the image data stored on the card, and could cause the unit to stop operating.
- Do not use a “Memory Stick Duo” adapter. Doing so could cause a malfunction to occur.

- Always check the orientation of the memory card before inserting it. Inserting a memory card the wrong way could cause a malfunction to occur.
- Do not remove the memory card until the unit prompts you to do so. Removing the memory card at the wrong time could result in the loss or damage of image data.

5 The main menu appears.



The exact menu that appears depends on which operation mode has been set. For details on the operation of the unit from this point, refer to the page shown below after each menu item name.

Full mode

- Select & Print ([page 59](#))
- Border Print ([page 60](#))
- Split Image ([page 61](#))
- Index Print ([page 62](#))
- Express Print ([page 63](#))

Quick Print mode

- Select & Print ([page 59](#))
- Express Print ([page 63](#))

Event mode

- Select & Print ([page 59](#))
- Border Print ([page 60](#))
- Split Image ([page 61](#))
- Index Print ([page 62](#))
- Express Print ([page 63](#))

Memo

If Cut mode is set, a screen for selecting the print size appears after the menu selection has been made. For details on Cut mode, see “[Setting Cut Mode](#)” on [page 40](#).

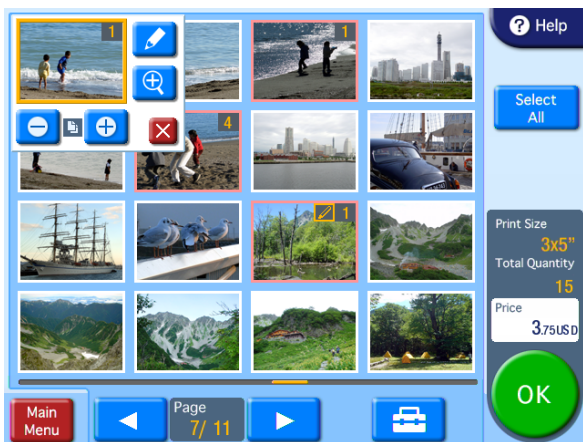
Selecting and Printing Images

■ Applicable modes: All operation modes

This procedure explains how to select and print the desired images.

1 On the main menu, touch [Select & Print].

The image selection screen appears.



[Select All] button: Touch this button to select all images.

🖨️ button: Touch this button to set the print finish and to set whether or not to show the file names.

Symbols on the thumbnails

1: Number of prints

✍️: Edited image

Notes

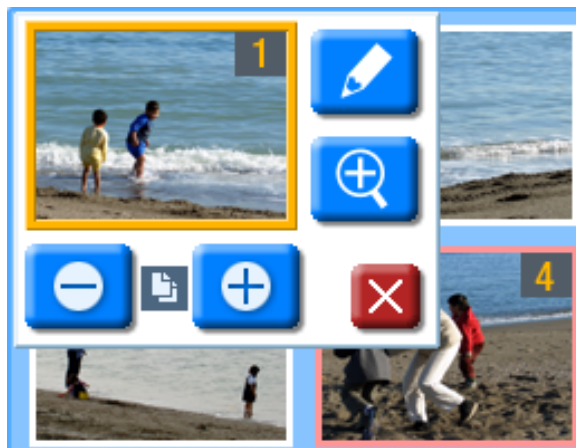
- The following icon is displayed for images that are not compatible with this unit or which are damaged.



- Any image that is less than 480 pixels in either the horizontal or vertical direction will appear as a small thumbnail image. Due to their poor resolution, such images may not produce a satisfactory image when printed.
- Depending on the number of images in the memory card and the type of the memory card, images may load slowly or may not load correctly.

2 Touch the images that you want to print.

When you touch an image, the number of prints is automatically set to “1” and a button menu pops up.



➖ ➕ buttons: Use these buttons to specify the number of prints.

✍️ button: Use this button to edit an image. The following editing functions are available.

- Crop and Rotate
- Text Input
- Color Adjustment
- Red Eye Reduction
- Sepia/B&W

For details, see “Image Editing” on page 65. In Quick Print mode, only crop and rotate are available.

🔍 button: Touch this button to display the preview screen. To close the preview screen, touch the preview screen.

✖️ button: Touch this button to close the popup display. When the popup display is closed, the 🖨️ icon appears. Touch this icon to display the popup display again.

Notes

- Up to 99 prints can be made of one image.
- The number of prints in a single order cannot be increased beyond the limit on the maximum number of prints that was set by the administrator. To add further prints, it is necessary to either reduce the number of prints already specified, or else divide the order into multiple orders.
- If the [Odd/Even Message] setting is enabled in Cut mode and the number of prints is odd, a message will appear. Be sure to check the number of prints.
- When using border print, a layout settings screen (crop and rotate) will appear immediately after touching an image that you want to print. Touch [OK] or [Cancel] to return to the image selection screen, and the button menu popup display will appear. For details on the layout settings screen, see

“Specifying the Layout (Crop and Rotate)” on page 65.

- 3 Once all of the desired images have been selected and the print quantities have been specified, touch the [OK] button.

If the unit is in Event mode, printing begins.

If the unit is in Full mode or Quick Print mode, the order confirmation screen appears.

For details on how to proceed, see “Confirming and Printing the Order” on page 63.

Using Border Print

- Expansion CompactFlash card required
- Applicable modes: Full mode, Event mode

This function lets you print images with a border or text.


Only one type of border can be selected per order. The selected border is printed on all of the images printed in that order.

- 1 From the main menu, touch [Border Print].

The border selection screen appears.



- 2 Touch the border that you want to use.

 **button:** Enlarges the border.

- 3 Touch the [OK] button.

The image selection screen appears.

- 4 Select the images to be printed.

When you select an image, the layout settings screen appears. Zoom in and zoom out or move the image to configure the layout.

For details on configuring the layout, see “Specifying the Layout (Crop and Rotate)” on page 65.

- 5 Touch the [OK] button in the layout settings screen.

The image selection screen reappears.

- 6 Select the print quantity.

For details on this operation, see “Selecting and Printing Images” on page 59.

- 7 Once all of the desired images have been selected and the print quantities have been specified, touch the [OK] button.

If the unit is in Event mode, printing begins.
 If the unit is in Full mode, the order confirmation screen appears.
 For details on how to proceed, see “*Confirming and Printing the Order*” on page 63.

Using Split Image Print

■ Applicable modes: Full mode, Event mode

This function lets you print multiple images on a single sheet.

This function can also be used to print multiple copies of a single image in a prescribed size, such as for Passport photos.

1 From the main menu, touch [Split Image].

The layout selection screen appears.

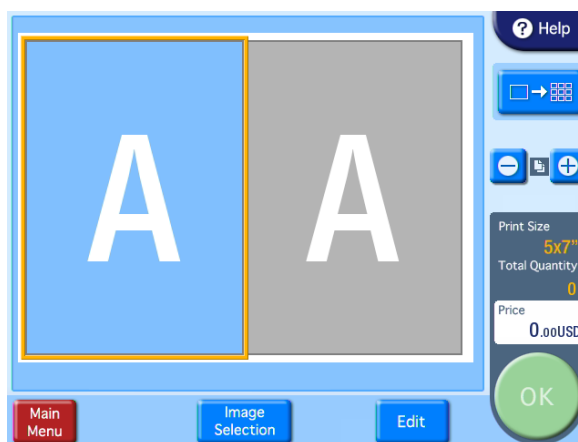
Select a layout with the suitable size.

The letters “A” and “B” in the layouts indicate the positions of images that will be assigned later. The same image will appear in all locations marked by the same letter.



2 Select the desired layout and then touch [OK].

The preview screen appears.



3 Touch the frame that you want to assign an image to.

The image selection screen appears.

- 4 Select the image that you want to assign to the frame, and then touch the [OK] button.

The preview screen returns.

If the layout that you selected includes multiple images, repeat steps 3 and 4.



[+] [-] **buttons:** Use these buttons to specify the number of prints.

[Image Selection] **button:** Use this button to change the images selected for the layout.

[Edit] **button:** Use this button to edit the selected image. The following editing functions are available.

- Crop and Rotate
- Text Input
- Color Adjustment
- Red Eye Reduction
- Sepia/B&W

For details, see “Image Editing” on page 65.

- 5 Once all of the desired images have been selected and the print quantities have been specified, touch the [OK] button.

If the unit is in Event mode, printing begins.

If the unit is in Full mode, the order confirmation screen appears.

For details on how to proceed, see “Confirming and Printing the Order” on page 63.

Using Index Print

■ Applicable modes: Full mode, Event mode

This function prints an array of thumbnails of all images.

The number of images printed per sheet is as follows.

- 3.5 × 5: 30 images
- 4 × 6: 35 images
- 5 × 7: 56 images
- 6 × 8: 72 images

Note

The Index Print function can print Exif images that exceed the maximum pixel size (8,000 (horizontal) × 6,000 (vertical) pixels). Since all other functions of this unit do not support images of this size, when other functions are being used these images cannot be printed and the following icon will appear in their place on the screen.



- 1 From the main menu, touch [Index Print].

If the unit is in Event mode, printing begins.

If the unit is in Full mode, the order confirmation screen appears.

For details on how to proceed, see “Confirming and Printing the Order” on page 63.

Printing All Images

■ Applicable mode: All operation modes

This function prints one each of all images.

1 From the main menu, touch [Express Print].

The order confirmation screen appears.
For details on how to proceed, see “*Confirming and Printing the Order*” on page 63.

Note

If the total number of images exceeds the maximum limit on the number of prints that was set by the administrator, the image selection screen will be displayed with only the maximum number of prints selected. In this case, you can either print just the selected images as is, or change which images are selected.

Confirming and Printing the Order

■ Applicable modes: Full mode, Quick Print mode

In Full mode and Quick Print mode, the order confirmation screen appears before printing starts.
Printing does not start until store staff check the order and input the appropriate password.

Memo

The system settings can be altered to modify the operation of this unit in the ways listed below. See “*Setting the Passwords*” on page 36.

- Start printing without requiring a password to be input.
- Use budget codes instead of a password.
- Instead of inputting the password on screen, input the password by inserting a memory card in which the password has been stored.

Order confirmation screen

Confirm your order, then press "Print Start".

Select & Print		Print Finish
Order No.	00007	Glossy
Print Size	5x7"	Matte
Quantity	2	Upsell Price @ 0.05 USD
@	0.30 USD	ProMatte
Price	1.10 USD	
Printable Sheet Quantity	395	
Estimated Print Time	00 : 00 : 44	
Go Back		Print Start

1 Confirm the number of prints, price, etc.

The print finish can be changed at this point. To do so, touch the button corresponding to the desired finish.

Note

If a watermark lamination file is stored on the expansion CompactFlash card and you select [Matte] for the print finish, the watermark lamination will be printed.

2 Touch the [Print Start] button.

A numeric keypad appears for inputting the password (budget code).

Please input password, then press "OK".

Select & Print

Order No. 0007

Print Size 5x7"

Quantity 2

@ 0.30 USD

Price 1.10 USD

Printable Sheet Quantity 395

Estimated Print Time 00:00:44

Go Back

OK

3 Store staff inputs the password and touches the [OK] key.

The staff member uses the numeric keypad displayed on the screen to enter a four-digit password (either the checkout password or the administrator password).

Memo

- If using budget codes, input the budget code instead of a password and then touch the [OK] button.
- If using a memory card to input the password, simply insert the memory card when the password input screen appears.

If the correct password is input, printing begins. When a message prompting you to remove the memory card appears, remove the memory card from the slot.

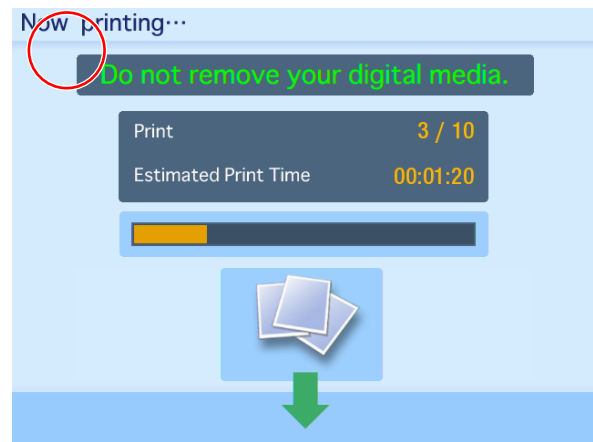
Note

Do not remove the memory card until the unit prompts you to do so. Removing the memory card at the wrong time could result in the loss or damage of image data. In addition, removing the expansion CompactFlash card while printing is in progress may prevent printing from continuing normally.

Canceling Print Operations

To cancel a print operation while it is in progress (the progress bar is displayed on the screen), perform the following procedure.

- 1 Touch the top left corner of the print operation screen (progress bar displayed) twice in succession.




The password entry screen appears.

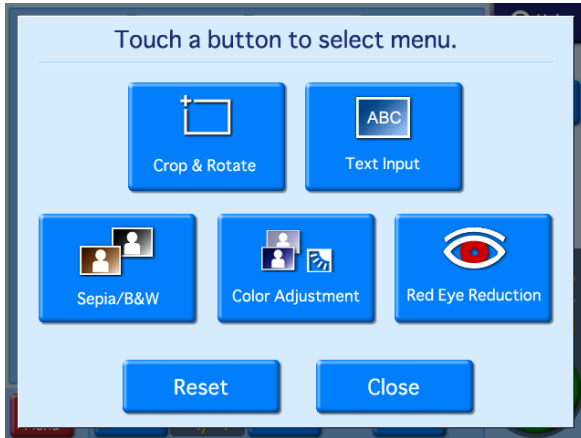
- 2 Enter the administrator password or checkout password using the numeric keypad, and touch [OK].

Image Editing

■ Applicable modes: All operation modes (only crop and rotate in Quick Print mode)

While selecting or previewing images, touching the  button or the [Edit] button causes the editing menu to appear.

In Quick Print mode, the crop/rotate screen appears instead of the editing menu.



The following editing functions are available on the editing menu.

- Crop and Rotate
- Text Input
- Color Adjustment
- Sepia/B&W
- Red Eye Reduction

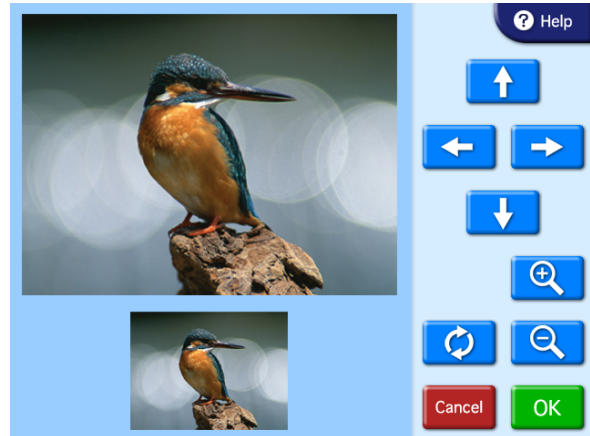
Canceling editing changes

To restore an edited image to its original state, select the image and then touch the [Reset] button.

Specifying the Layout (Crop and Rotate)

This function allows you to trim and rotate an image, thus changing the composition of the image.

To adjust the image composition, touch [Crop & Rotate] on the editing menu.



To crop the image

/ buttons

Use these buttons to adjust the size of the image.

Arrow buttons

Use these buttons to adjust the area to be cropped.

To rotate the image

button

Use this button to rotate the image clockwise 90 degrees. Touch this button repeatedly until the image is at the desired orientation.

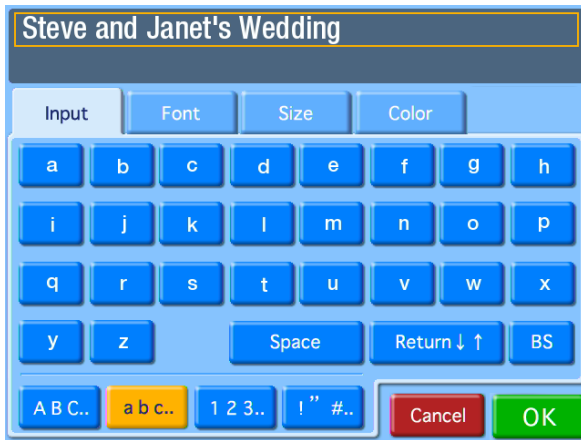
Once the new image composition is completed, touch the [OK] button.

Inputting Text

You can input text that will appear on top of printed images.

- 1 On the Edit Menu, touch [Text Input].

The text input screen appears.



- 2 Touch the keys shown on the [Input] tab screen to enter text.

You can enter up to two lines, each containing up to 64 alphanumeric characters.

You can use the other tabs to configure text settings. You can also configure text settings in the layout editing screen that follows.

[Input] tab

Use the [Return] button to move the cursor between lines. To make a correction, touch the [BS] (Backspace) button. If you keep touching the button, the entire line where the cursor is located will be erased.

[Font] tab

Lets you select the font to be used. Select a font from 5 available types.

[Size] tab

Use the [+] and [-] buttons to control the text size. The size setting range is 4 - 72 points, in 2-point steps.

[Color] tab

Lets you specify the text color. Select a color from 16 available colors.

- 3 Once all of the text has been input, touch the [OK] button.

The layout editing screen appears.



- 4 Touch the buttons to edit the layout.

Arrow buttons

Use these buttons to move the print position of the text up, down, left, and right.

↻ button

Use this button to rotate the text clockwise 90 degrees. Touch this button repeatedly until the text is at the desired orientation.

Size

Use the [+] and [-] buttons to control the text size. The size setting range is 4 - 72 points, in 2-point steps.

Color

Use the [◀] and [▶] buttons to specify the text color. Select a color from 16 available colors.

[Edit Text] button

Displays the text input screen. The settings configured in the layout editing screen are retained.

Font

Use the [◀] and [▶] buttons to specify the font. Select a font from 5 available types.

- 5 Touch the [OK] button.

The configured settings are saved, and the image selection screen or preview screen returns.

Notes

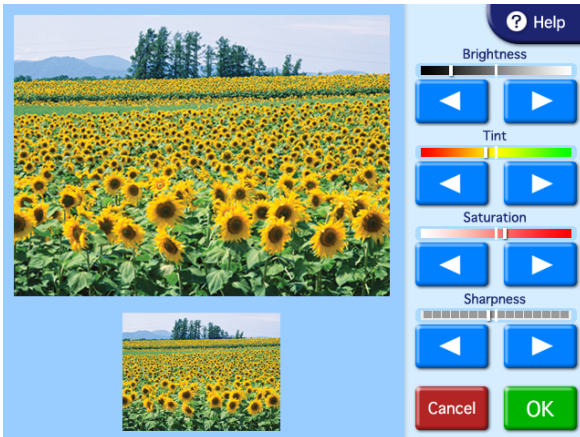
- Any text entered is added only to the image currently being edited.
- The preview displayed in the layout editing screen is an approximation, and may differ slightly from the actual printed result.
- If the text size and layout are such that the text does not fit within the bounds of the image, font size and

positioning are automatically adjusted to fit the text entirely within the image.

- Text that is positioned flush with the edge of the image may be cut off when the image is printed.

Adjusting the Image Quality

To adjust the image quality, touch [Color Adjustment] on the editing menu.



The following items can be adjusted.

- Brightness
- Tint
- Saturation
- Sharpness

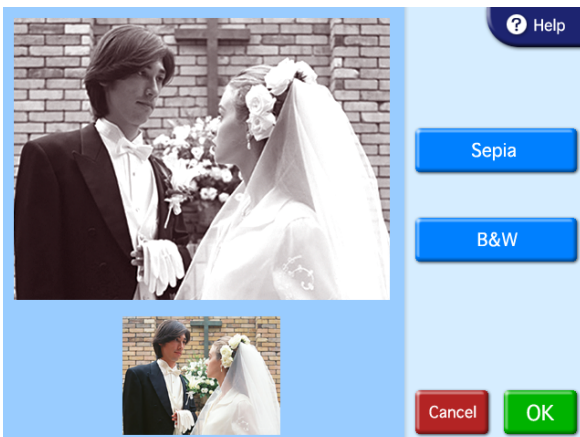
Use the [◀] [▶] buttons to adjust each item. Each item can be adjusted ± 8 steps.

Once adjustment is complete, touch the [OK] button.

Printing in Sepia or Black and White

You can set the image color to sepia or black and white for printing.

To set the image color to sepia or black and white, touch the [Sepia/B&W] button on the editing screen.



[Sepia] button

Use this button to change the image to sepia for printing.

[B&W] button

Use this button to print the image in black and white.

After selecting one of the buttons, touch the [OK] button.

Compensating for the Red Eye Effect

On photos taken with a flash, the so-called red eye effect can sometimes be a problem. This function makes the effect less noticeable.

Note

If cropping or rotation is performed after red eye reduction, the corrections for red eye are canceled.



Make sure to perform red eye reduction after cropping or rotation.

- 1 On the Edit Menu, touch [Red Eye Reduction].

The following screen appears. The compensation frame is located in the center of the image.




- 2 Use the arrow buttons to move the compensation frame to the eye position.


- 3 Use the  and  buttons to adjust the size of the compensation frame, so that the eye is fully within the frame.

Perform red eye reduction on one eye at a time. Including both eyes in the compensation frame may result in incorrect compensation.



- 4 Touch the  button.

The compensation function is carried out. The result is shown in the small image at the bottom of the screen.

To cancel the compensation function, touch the  button.

Repeat steps 2 to 4 for each area that requires compensation.

Note

With some images, the compensation function may not be entirely successful.


- 5 Touch the [OK] button.

The original screen reappears.

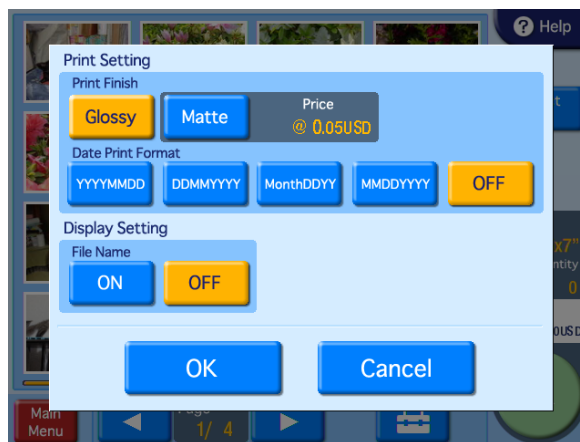
Selecting the Print Finish

■ Applicable modes: All modes

This function allows you to select glossy or matte finish for the prints. You can also set whether to print the date and whether to display the file names on the screen.

To make these settings, touch the  button on the image selection screen.

The following screen appears.



Print Finish

Select the finish for the prints. Glossy finish or matte finish can be selected.

Note

If a watermark lamination file is stored on the expansion CompactFlash card and matte finish is selected, the watermark lamination will be printed.

Date Print Format

Select the format for the date when the date of each photo is to be printed on the image. If you do not want the dates to be printed, select [OFF].

- YYYY/MM/DD (Ex.: 2008/9/1)
- DD/MM/YYYY (Ex.: 1/9/2008)
- Month/DD/YY (Ex.: Sep/1/08)
- MM/DD/YYYY (Ex.: 9/1/2008)
- OFF (No dates)

Display Setting

Select whether to display the file names on the screen. The file names are only displayed on the screen; they are not printed.

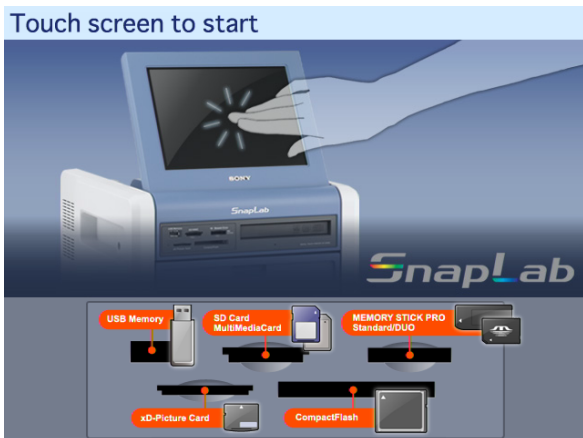
Once all settings are complete, touch the [OK] button to return to the previous screen.

Printing from Bluetooth-compatible Devices

Expansion CompactFlash card required

You can send images from Bluetooth-compatible devices such as mobile phones and print them.

- 1 Touch any place on the screen.



The language selection screen appears.

- 2 Touch the language you want to use.



The device selection screen appears.

- 3 Touch [Bluetooth].

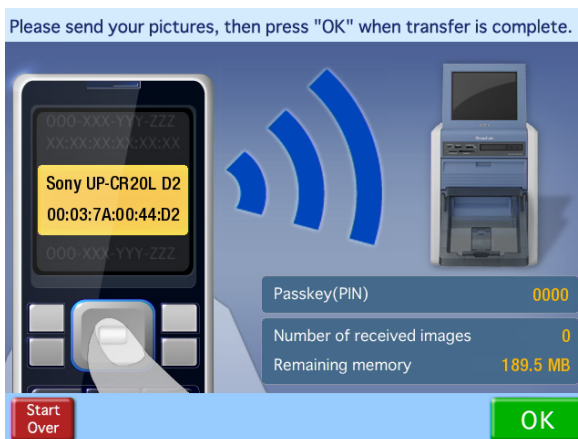


The transfer screen appears.

- 4 Operate your Bluetooth-compatible device and send the images.

For details on how to send the images, refer to the operating instructions for your Bluetooth-compatible device.

When selecting a printer on your Bluetooth-compatible device, select "SONY UP-CR20L ##." The alpha numeric characters comprising the right side of the Bluetooth address displayed on the printer's screen appear in place of "##." "D2" appears in place of "##" in the following sample screen.



The unit receives the image data sent. The number of received images appears on the unit's screen.

If your Bluetooth-compatible device requests a pass code¹⁾ entry, enter "0000."

1) The pass code may also be referred to by another name, such as passkey or PIN code.

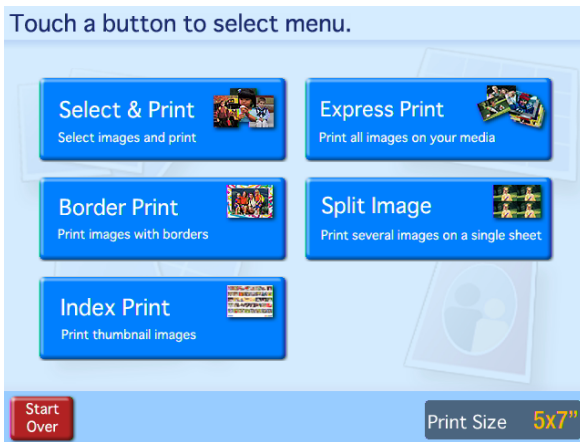
Note

You cannot change the pass code from the printer.

5 When the transfer is finished, touch the [OK] button.

When transferring multiple images, transfer all of the images before touching the [OK] button.

The Main Menu appears.



The procedure following the Main Menu is the same as when memory cards are used. See details on print procedures starting on *page 59*.

Printing from DPOF Settings

If a digital camera that supports DPOF was used, the images to print and the quantity for each image can also be specified at the camera.

When image and quantity selection was made at the camera and such a memory card is then inserted into the slot of this unit, the selection data generated by the digital camera are automatically read by the unit. By using these data, printing can be carried out quickly and easily.

If the number of images selected at the digital camera is higher than the maximum allowable number of prints per order, the image list screen will appear, with the number of images corresponding to the maximum number being selected. You can then proceed to print these images, or change the image selection.

This function is active when [Select & Print] or [Express Print] is selected at the Main Menu.

Memo

DPOF (Digital Print Order Format) is a standard that enables automatic printing of images taken with a digital camera. Digital cameras supporting this standard write information about image selection and print quantity onto the memory card. This information can then be used by DPOF compatible photo printers to enable quick and easy printing.

Note

Available functions and operation steps for specifying DPOF information depend on the digital camera model. For details, refer to the documentation of your camera.

Printing with Expansion Printers

By connecting a USB printer to the unit, you can transfer data from the unit and print from the expansion printer. Connecting an expansion printer enables the following.

- Increase the paper sizes that are available for printing
By loading a paper size that is different from the paper loaded inside the unit, you can increase the number of paper sizes that are available for selection when ordering prints.
- Minimize interruptions in service due to paper running out
When paper of the same size is loaded in both the unit and the expansion printer and the paper runs out while printing an order, you can have the print order continue automatically on the other printer. The printer with less remaining paper will be used first when printing with this feature.

Note

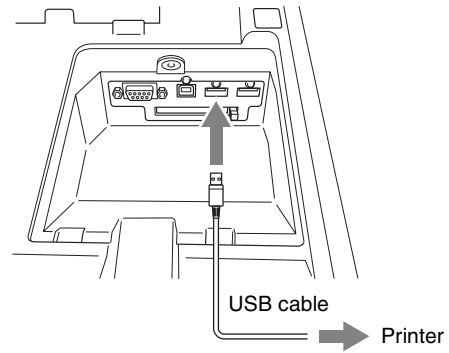
You can connect up to one expansion printer to the unit. For information on supported printers and further details, please visit the UP-CR20L support page at <http://www.sony.net/snaplab>.

Connecting the Expansion Printer to the Unit

Use a commercially available USB cable to connect the unit to the expansion printer. Plug the USB cable into a USB port (host) found in the extension connector area at the top of the unit. For further details on connection, refer to the operating instructions for your printer.

Note

Before connecting the expansion printer to the unit, make sure that the unit is turned off or that the Start Guide screen is displayed. The printer may not be recognized if it is connected at any other time.

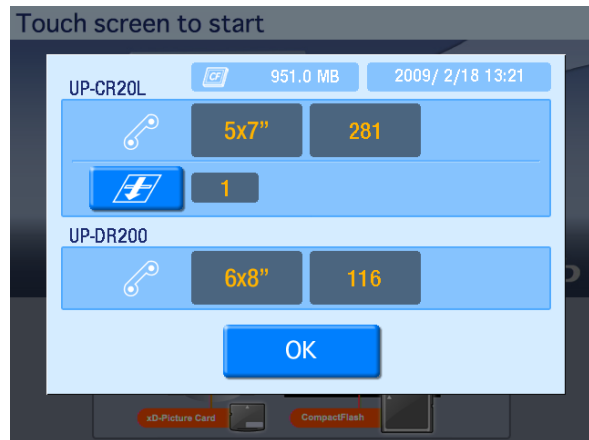


If an “unknown device” or “version upgrade required” message appears on the screen after connecting the printer to the unit and turning it on, confirm whether the printer is supported. For information on supported printers and version upgrades, please visit the UP-CR20L support page at <http://www.sony.net/snaplab>.

Confirming Information Related to the Expansion Printer

You can view information related to the printer connected to the unit in the confirmation screen for the remaining ink ribbon.

Details on the expansion printer such as the name, size of the paper that is loaded, and the remaining number of prints for the ink ribbon are displayed below the information related to the UP-CR20L. For details on how to display the confirmation screen for the remaining ink ribbon, see “Checking the Remaining Ink Ribbon” on page 24.

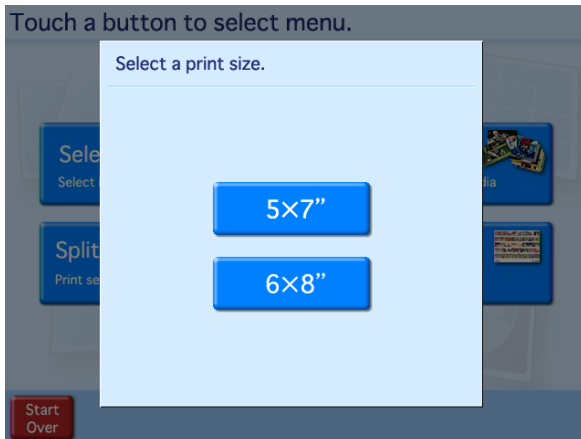


Printing from the Expansion Printer

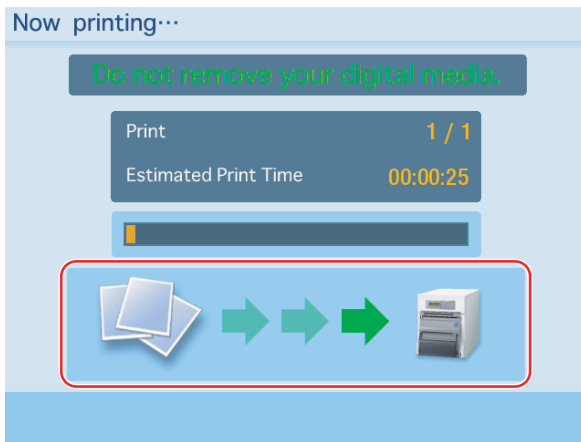
When the size of the paper loaded in the expansion printer differs from that loaded inside the unit, a print size selection screen appears after making a selection in the main menu. The print sizes that are available using the paper inside the unit and expansion printer are displayed together on the screen.

Note

This screen does not appear if the paper loaded inside the expansion printer and unit are the same size.



If you select the paper size that is loaded inside the expansion printer from the print size selection screen, the expansion printer will be used for printing. If paper of the same size is loaded inside both the expansion printer and the unit, the printer with less remaining paper will be used for printing. The following screen appears while printing from the expansion printer.



Adjusting the Image Quality for the Expansion Printer

You can adjust the image quality for the expansion printer from the unit. For details, see "Setting the Image Quality for an Expansion Printer" on page 54.

Printing From a Computer

When a commercially available USB cable is used to connect the unit to a computer, data sent from the computer can be printed out using this unit. When the USB cable is plugged in, the indication "PC MODE" is shown on the display of the unit. In this condition, the touch panel is inactive.

Installing the Printer Driver

If the unit is to be controlled from a computer, you must install the supplied printer driver on the computer before connecting the unit to the computer for the first time. For details on installation, refer to the installation guide and the Readme file on the supplied CD-ROM.

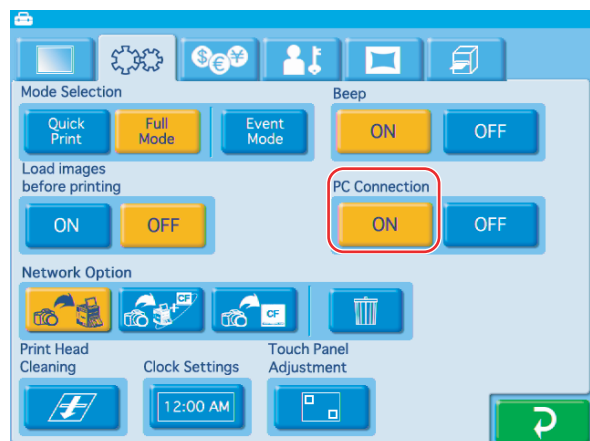
Notes

- For the latest information on the printer driver, please visit the UP-CR20L support page at <http://www.sony.net/snaplab>.
- The supplied printer driver does not support printing via a network.

Computer Connection Setting

You can select whether to receive commands from a computer.

To enable commands from a computer, touch the [ON] button for [PC Connection] in the System tab of the administration screen.

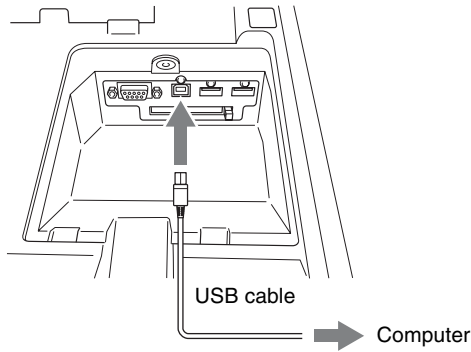


When [OFF] is selected, commands from computers connected to the unit via USB cable will be ignored.

Connecting to a Computer

To print from a computer, you must connect the unit to the computer using a commercially available USB cable. Plug the USB cable into the USB port (device) at the top of the unit.

When making the connection, you should also consult the documentation of the computer.



Notes

- Before connecting the computer to the unit, make sure that the unit is turned off or that the Start Guide screen is displayed. The computer may not be recognized if it is connected at any other time.
- If the connection is made via a USB hub, correct operation is not assured.

Appendix

Precautions

Safety

- Operate the printer using the power source specified in “Specifications” on page 80.
- Be careful not to damage the power cord by placing or dropping heavy objects on it; it is dangerous to use the unit with a damaged power cord.
- If you do not intend to use the unit for a long time, turn off the power and disconnect the power cord.
- Unplug the power cord by grasping the plug, not the cord itself.
- Do not disassemble the unit. There is a danger of electric shock from the internal parts.
- Be careful not to spill water or other liquids on the unit, or to allow combustible or metallic material to enter the cabinet. If used with foreign matter in the cabinet, the unit is liable to fail, or present a risk of fire or electric shock.
- If the unit malfunctions or if a foreign body falls into the cabinet, disconnect the power immediately and consult your Sony service facility or your Sony dealer.
- To store a half-used printing pack, replace it in its original packing and reseal the package. If possible, keep the sealed printing pack in a cool, dark location. To subsequently use the printing pack, place it, in its sealed package, in a warm room for several hours. Doing so prevents condensation from forming when the printing pack is removed from its package.

Installation

- Install the unit on a level surface. Do not install the unit on a slant or on its side. Doing so could damage the unit.
- Do not jar or drop the unit.

- Do not install the unit in any location that is subject to:
 - instability
 - excessive dust
 - extremely high or low temperatures
 - vibration
 - high humidity
 - direct sunlight
- Do not block the ventilation holes on the unit. Doing so could result in damage.

On transporting the printer

Do not transport the printer with the supplied accessories, ink ribbon and paper roll attached. Doing so may cause a malfunction. It is recommended that you store the ink ribbon and paper roll in the package they came in after you remove them.

On condensation

- If the printer is subjected to wide and sudden changes in temperature, such as when it is moved from a cold room to a warm room or when it is left in a room with a heater that tends to produce quantities of moisture, condensation may form inside the printer. In such cases the printer will probably not work properly, and may even develop a fault if you persist in using it. If moisture condensation forms, turn off the power and leave the printer standing for at least one hour.
- If the printing pack is subjected to wide and sudden changes in temperature, condensation may form on the ink ribbon or paper inside. This will cause the printer to malfunction. Also if the printing pack is used in this state, spots are likely to appear on the printout.

Memory Cards

Notes on Using “Memory Stick”

Notes

- Sony bears no responsibility for damage to your memory card or data while using this unit.
- Operation of “Memory Stick” (up to 32 GB) media on this product is confirmed. However, proper operation on all types of the “Memory Stick” media is not guaranteed.
- You cannot play back files that are 4 GB or larger in size from “Memory Stick” media due to the specifications of its file system.

“Memory Stick” types

“Memory Stick” is a removable, compact data storage card that can be used with digital still cameras and personal computers. Still images stored in a “Memory Stick” can be easily displayed, overwritten or deleted.

“Memory Stick” comes in two types: general purpose “Memory Stick” and “Memory Stick” using the MagicGate encryption technology to protect copyrighted material, referred to as “MagicGate Memory Stick.” This unit supports both types of “Memory Stick.” However, because this unit does not support the MagicGate standard, material recorded with this unit is not protected by MagicGate.

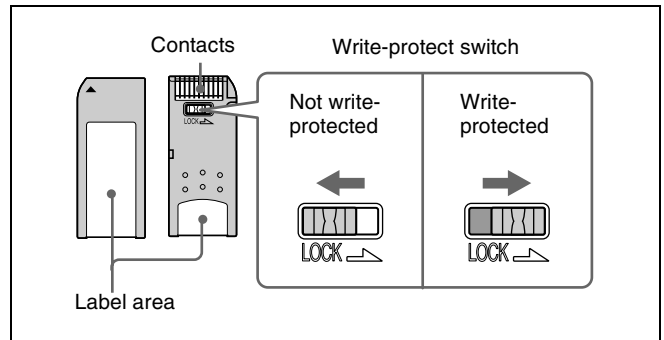
In addition, you can also use “Memory Stick Duo” or “Memory Stick PRO” with your unit.

Notes on MagicGate™

“MagicGate” is the collective name of content protection technologies developed by Sony.

Write-protecting “Memory Stick” data

In order to protect important data from accidental erasure, the “Memory Stick” has a write-protect switch. When the switch is in the left-hand position, data can be written to or deleted from the “Memory Stick,” and the “Memory Stick” can be initialized. When the switch is in the right-hand position, data in the “Memory Stick” can be read, but cannot be written. When inserting a “Memory Stick” into this unit in order to read data, slide the write-protect switch to the protected state.



Note

The write-protect switch position and shape varies depending on your type of “Memory Stick.”

Reinitializing (formatting) “Memory Stick”

Before using your “Memory Stick” for the first time, make sure that you use your digital camera to format it.

Formatting the “Memory Stick” with a device other than your digital camera may make data on the “Memory Stick” unreadable for the system.

Notes on using “Memory Stick”

- To use a “Memory Stick” insert it directly into the “Memory Stick” slot of the system. Do not insert the “Memory Stick” into a CompactFlash type adapter, as this may accidentally delete the data on the “Memory Stick.”
- Do not remove the “Memory Stick” while reading or writing data.
- Data may be corrupted in the following cases.
 - When the “Memory Stick” is removed or the system is turned off during read or write operation
 - When the “Memory Stick” is used in locations subject to static electricity or electrical noise
- Do not strike, bend, or drop the “Memory Stick.”
- Do not attempt to disassemble or modify the “Memory Stick.”
- Do not get the “Memory Stick” wet.
- Avoid storing or using the “Memory Stick” under the following conditions:
 - In a hot location, such as inside a car or outside on a very hot day.
 - In direct sunlight.
 - In a humid location or where corrosion occurs easily.
- Do not touch the “Memory Stick” contacts with anything, including your finger and metallic objects.
- Do not affix anything other than the supplied label to the “Memory Stick” labeling position.
- Affix the supplied label so that it does not stick out beyond the labeling position.
- Carry and store the “Memory Stick” in its case.

Notes on using “Memory Stick Duo”

- Use a sharp object such as a ballpoint pen to move the “Memory Stick Duo” write-protect switch.
- Some “Memory Stick Duo” are not equipped with a write-protect switch. When using a “Memory Stick Duo” without a write-protect switch, be careful not to edit or erase data by mistake.

Notes on using “Memory Stick PRO”

This system does not support the access control security function.

Notes on Using Other Types of Memory Cards

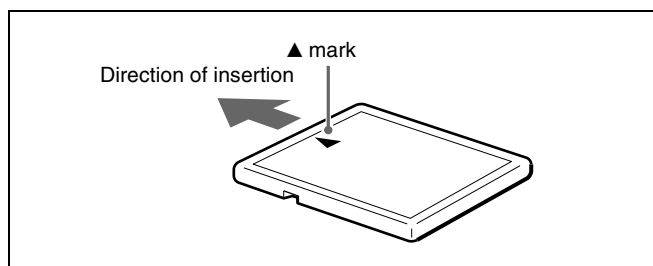
This unit supports CompactFlash, SD Card, MultiMediaCard, and xD-Picture Card. We recommend backing up any image data stored on a memory card before using it with the unit.

Note

Be aware that Sony is not liable for any damage to memory cards or loss of data that occurs while using this unit.

CompactFlash card

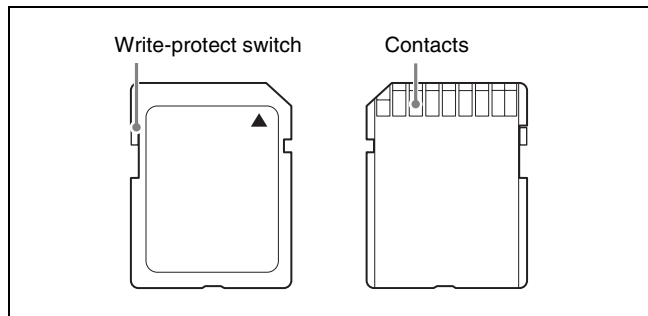
The card can only be set in the slot in one direction. If the card does not slide into the slot smoothly, do not try to force it in. Instead, make sure that the card is oriented correctly, with the ▲ mark pointing towards the slot.



For details, refer to the user’s manual accompanying your card.

SD Card

The parts of an SD Card are shown below.

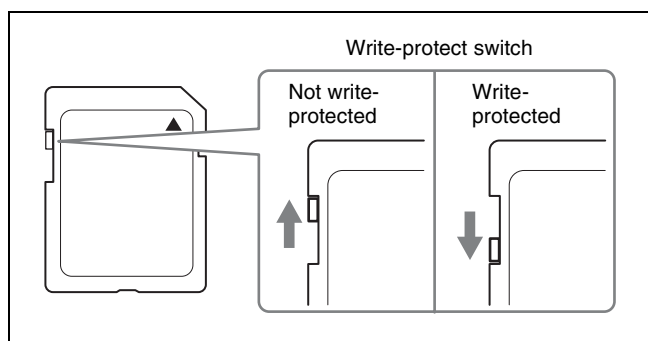


For details, either visit the SD Card Association Web site or refer to the user’s guide accompanying your card.
<http://www.sdcard.org/>

Write-protecting SD Card data

In order to protect important data from accidental erasure, an SD Card can be write-protected to prevent data from being written.

To do so, slide the write-protect switch as shown in the figure.

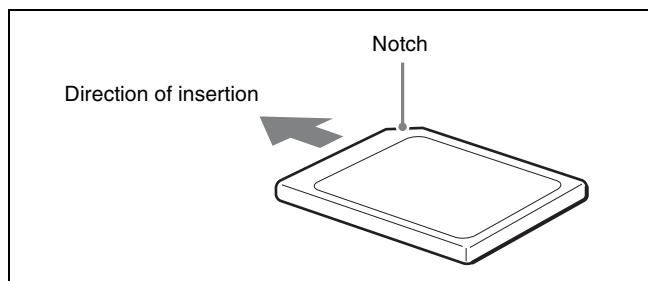


When it is write-protected, the SD Card cannot be used to store photographs taken with a digital camera.

MultiMediaCard

The card can only be set in the slot in one direction. If the card does not slide into the slot smoothly, do not try to force it in. Instead, make sure that the card is oriented correctly.

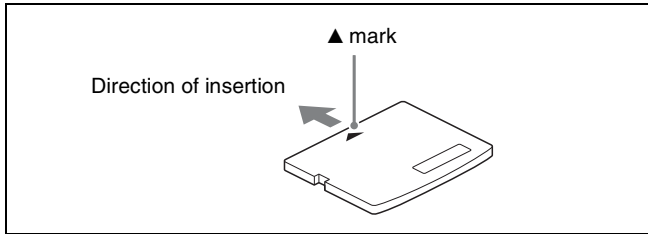
Always orient the card as show below.



For details, refer to the user’s guide accompanying your card.

xD-Picture Card

The card can only be set in the slot in one direction. If the card does not slide into the slot smoothly, do not try to force it in. Instead, make sure that the card is oriented correctly, with the ▲ mark pointing towards the slot.



For details, refer to the user's manual accompanying your card.

Notes on using memory cards

Note

The following apply to all memory cards except "Memory Stick."

For details about "*Memory Stick*" types" on page 75.

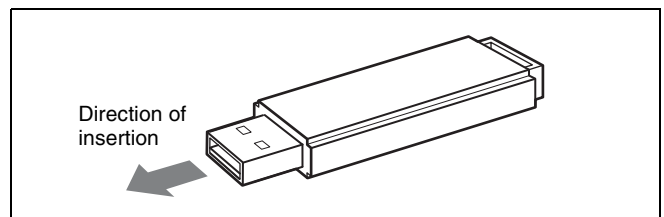
- Before using any memory card, be sure to carefully read its user manual.
- When you purchase a memory card, you must first initialize it with a digital camera. If you initialize the memory card with a personal computer or any device other than a digital camera, this unit may not be able to read the image data stored on the memory card.
- Do not attempt to use any memory card that is not specified for use with this unit. Doing so could damage this unit.
- Do not strike, bend, or drop the memory card.
- Do not attempt to disassemble or modify the memory card.
- Do not get the memory card wet.
- Because the memory card is vulnerable to humidity, we recommend that such memory card not be used under humid conditions.
- Avoid storing or using memory card under the following conditions:
 - In a hot location, such as inside a car or outside on a very hot day.
 - In direct sunlight.
 - In a humid location or where corrosion occurs easily.
 - In a location where the memory card could be exposed to electrostatic discharge or electronic noise.
- Do not touch the contacts on a CompactFlash card, SD Card, or MultiMediaCard with your hands or bare metal.
- Always keep the memory card in its case when carrying or storing it.
- When using an SD Card or MultiMediaCard, insert the memory card directly into the corresponding slot. Do not insert these memory cards into the CompactFlash type

adapter. Doing so could cause the image data stored in the card to be deleted or damaged.

- Always make sure that the memory card is oriented correctly before inserting it in the appropriate slot of the unit. Inserting any memory card in the wrong direction may damage the unit and/or memory card and cause malfunctions.
- Do not remove the memory card or turn off the unit while data is being read or written to the memory card. Doing so could cause the data that is being recorded to be deleted or damaged.

Notes on USB Memory

Before inserting a USB memory device into the slot, make sure that the top and bottom of the connectors correspond.



For details, refer to the instructions provided with your USB memory device.

Notes

- This unit does not support USB memory devices with multiple drives or USB memory devices with security functions.
- Compatibility is not guaranteed for all USB memory devices.

Notes on CDs and DVDs

This unit can read the following file system formats.

- UDF
- ISO9660
- Joliet

Readability has been tested for discs created with Microsoft Windows XP and Windows Vista (UDF version 2.01).

However, this does not guarantee readability for all writing applications used to create discs.

Handling CDs and DVDs

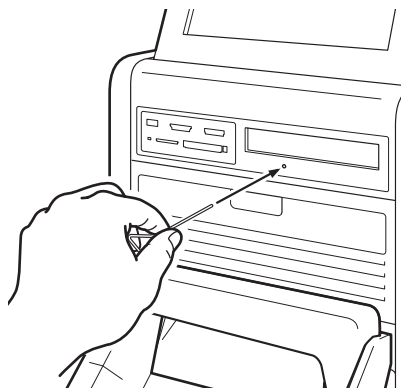
- Handle discs only by the edges. Never touch the recording surface.
- Do not write on discs or paste labels on them.
- Do not store discs in dusty or humid locations, in direct sunlight, or near heat-generating devices.
- Avoid spilling liquids on discs.

- To protect important data, always store discs in their protective cases.
- When transporting the unit, always remove any discs beforehand.

Manually Ejecting a Disc

If the tray does not open when you press the eject button, proceed as follows to remove the disc.

- 1 Turn off the unit.
- 2 Insert a straightened paper clip or similar object into the manual eject hole.
(Use paper clips or objects that are less than 1.7 mm in diameter.)



The tray will slowly open.

- 3 Pull out the tray with your fingertips, and remove the disc.

Cleaning CDs and DVDs

Using a soft cloth, gently wipe off dirt from the center of the disc toward the outside. To remove heavy dirt, wipe the disc using a soft cloth that has been moistened with water and thoroughly wrung out, and then remove any moisture using a dry cloth.

Do not use benzene, vinyl record cleaner, or antistatic solutions that may damage the disc.

Cleaning the CD/DVD drive

Note

Do not use commercially available lens cleaners as they may result in damage to the drive.

Troubleshooting

Before sending the unit out for servicing, check the items listed below. If you still cannot solve the problem, contact your Sony Authorized Dealer.

Symptom	Cause/Remedy
The printer does not feed the correct amount of paper automatically when you close the paper door and ribbon door after loading the paper roll and ink ribbon.	The printer may be turned off. → Turn on the printer. The paper roll may have been loaded with its left and right sides reversed. → Load the paper roll in the proper direction. (page 18)
Cannot load ink ribbon.	You may be trying to load the ink ribbon spools into the wrong holders. → Load each spool into its proper holder on the ribbon tray. (page 21)
Cannot load paper roll.	You may be trying to load a printing pack that is 152 mm (6 inches) in width (2UPC-R204/C26/R206 series) while the paper adapters are attached. → Remove the adapters and then load the paper roll (page 20).
Paper roll was loaded, but "no paper" message appears.	Paper roll may not have been loaded correctly. → Ensure that paper roll is loaded correctly (page 18).
Ink ribbon was loaded, but "no ink ribbon" message appears.	Ribbon may not have been loaded correctly. → Ensure that ribbon is loaded correctly (page 21).
Out of paper message appears, but there is still paper in the unit.	This is not a defect. Some spare paper will be left over. → Remove the leftover paper and load a new ink ribbon and paper roll (page 26).
There is a white margin on the printed image.	You may be trying to load a printing pack that is 127 mm (5 inches) in width (2UPC-R203/R205 series) without the paper adapters attached. → Attach the paper adapters (page 20).
A vertical white stripe appears on the printout.	Dust may have accumulated on the thermal head. → Clean the interior of the printer (page 50).

Symptom	Cause/Remedy
Power does not switch on.	The power cord may not be connected. → Make sure that the power cord is connected (<i>page 15</i>). The POWER switch may not have been pressed correctly. → Make sure to press the POWER switch firmly (<i>page 16</i>).
Display not on or difficult to see.	Depending on the display angle, the display may not be visible or may be difficult to see. → The display angle can be adjusted. Adjust the angle of the display to improve the display appearance (<i>page 13</i>).
Image data cannot be read.	A mounted memory card does not contain any data. → Insert a memory card that contains image data. Data has been recorded in a format that the unit does not recognize. → Be sure to store image data in a format that the unit can recognize (<i>page 11</i>). The memory card may not be properly inserted. → Make sure that the memory card is fully inserted (<i>page 58</i>). The memory card may not be inserted in the correct direction. → Set the memory card in the direction shown on the operation screen.

Ink Ribbon and Paper

Each printing pack contains two sets of the ink ribbon and paper roll combination.

Be sure to use the ink ribbon and the paper roll in the carton as a set.

2UPC-R203 series Self-Laminating Color Printing Pack

Contains color ink ribbon and paper.

Ink ribbon for printing: 2 rolls
3.5 × 5 inches print paper: 2 rolls
Cleaning sheet: 2 sheets

2UPC-R204 series Self-Laminating Color Printing Pack

Contains color ink ribbon and paper.

Ink ribbon for printing: 2 rolls
4 × 6 inches print paper: 2 rolls
Cleaning sheet: 2 sheets

2UPC-R205 series Self-Laminating Color Printing Pack

Contains color ink ribbon and paper.

Ink ribbon for printing: 2 rolls
5 × 7 inches print paper: 2 rolls
Cleaning sheet: 2 sheets

2UPC-C26 series Self-Laminating Color Printing Pack

2UPC-R206 series Self-Laminating Color Printing Pack

Contains color ink ribbon and paper.

Ink ribbon for printing: 2 rolls
6 × 8 inches print paper: 2 rolls
Cleaning sheet: 2 sheets

Printing capacity

The number of sheets that can be printed differs depending on the printing pack. Each printing pack contains two sets of the ink ribbon and paper combination. One set of the ink ribbon and paper allows you to print the following number of sheets.

Printing pack	2UPC-R203 series	2UPC-R204 series	2UPC-R205 series	2UPC-C26/2UPC-R206 series
Print capacity	770 sheets	700 sheets	400 sheets	350 sheets
Print size	89 × 127 mm 3.5 × 5 inches	102 × 152 mm 4 × 6 inches	127 × 178 mm 5 × 7 inches	152 × 203 mm 6 × 8 inches

Note

However the number of sheets that can be printed may not be guaranteed if you replace the ink ribbon and paper before the ink ribbon and paper run out.

Specifications

Power requirements

100 to 240 V AC, 50/60 Hz

Input current 6.3 to 3.2 A max. (while printing)

Operating temperature range

10 to 35 °C

Operating humidity range

20 to 80% (no condensation)

External dimensions

Approx. 338 × 442 × 454 mm (WHD)

(13 ³/₈ × 17 ¹/₂ × 17 ⁷/₈ inches)

(excluding the maximum projecting parts)

Mass Approx. 23 kg (50.71 lb) (printer only)

Printing system Dye sublimation thermal transfer

Thermal head 13.0 dot/mm, 2048 elements (330 dpi)

Gradations 8 bits each for yellow, magenta and cyan

Picture size 2UPC-R203 series: 89 × 127 mm ±2 mm

(3.5 × 5 inches ±³/₃₂ inches)

2UPC-R204 series: 102 × 152 mm

±2 mm

(4 × 6 inches ±³/₃₂ inches)

2UPC-R205 series: 127 × 178 mm

±2 mm

(5 × 7 inches ±³/₃₂ inches)

2UPC-C26/R206 series: 152 × 203 mm

±2 mm

(6 × 8 inches ±³/₃₂ inches)

Printable pixels 2UPC-R203 series:

1210 × 1728 dots

2UPC-R204 series:

1382 × 2048 dots

2UPC-R205 series:

1728 × 2380 dots

2UPC-C26/R206 series:

2048 × 2724 dots

(The top and bottom and right and left portions will not be printed by about 2.5 mm.)

Printing time 2UPC-R203 series: Approx. 8.0 sec.

2UPC-R204 series: Approx. 8.0 sec.

2UPC-R205 series: Approx. 12.5 sec.

2UPC-C26/R206 series: Approx.

14.5 sec.

(Printing time may vary depending on the conditions of use.)

Input connector AC IN (for power)

Control connector

RS-232C (External control interface,

D-SUB 9-pin connector) (1)

USB function port

Hi-Speed USB (USB2.0)

USB host port For the USB memory (3)

Memory card slots

- “Memory Stick” interface slot (1)
- SD Card interface slot (1)
- CompactFlash card interface slot (2)
(One of the two slots is used as expansion slot.)
- xD-Picture Card interface slot (1)

CD/DVD drive For CD-R/RW
For DVD-R/RW

Compatible image file formats

- JPEG: JFIF 4:4:4, 4:2:2, 4:2:0 (baseline JPEG)
Exif 2.2.1 compatible
DCF 2.0 compatible
- TIFF: Exif 2.2.1 compatible (TIFF-RGB non compressed)
- BMP: 24 bit Windows format
(Some versions of the file formats may not be compatible)

Maximum number of pixels to be handled

- JPEG: 8,000(H) × 6,000(V)
- TIFF: 8,000(H) × 6,000(V)
- BMP: 8,000(H) × 6,000(V)

Maximum number of files to be handled

9,999 files for a memory card

LCD display 10.4-inch touch sensitive TFT color display
640 × 480 pixels, RGB

Accessories supplied

- Output tray (1)
- Output tray adapter (1)
- Output cover (1)
- Scrap receptacle (1)
- Cleaning ribbon (1)
- Ribbon tray (1)
- Paper core (1)
- Paper adapter (blue) (1)
- Paper adapter (pink) (1)
- CD-ROM (1)
- Software License Agreement (1)
- Before Using This Printer (1)
- Warranty Card (1)

Optional accessories

Self-Laminating Color Printing Pack

- 2UPC-R203 series
- 2UPC-R204 series
- 2UPC-R205 series
- 2UPC-C26 series¹⁾
- 2UPC-R206 series¹⁾

Bluetooth USB adaptor

DPPA-BT1^{1) 2)}

1) May not be commercially available depending on your country or region.
Consult your local Sony dealer.

2) The Bluetooth communication function for this unit can only be used with DPPA-BT1 adapters.
All other Bluetooth USB adapters are not supported.

Notes

- Always verify that the unit is operating properly before use.
SONY WILL NOT BE LIABLE FOR DAMAGES OF ANY KIND INCLUDING, BUT NOT LIMITED TO, COMPENSATION OR REIMBURSEMENT ON ACCOUNT OF FAILURE TO PRINT CONTENT OF ANY TYPE OR LOSS OF DATA DUE TO FAILURE OF THIS UNIT OR ITS PRINTING MEDIA, ASSOCIATED SOFTWARE, EXTERNAL STORAGE, OR OTHER EXTERNAL DEVICE.
- SONY WILL NOT BE LIABLE FOR DAMAGES OF ANY KIND INCLUDING, BUT NOT LIMITED TO, COMPENSATION OR REIMBURSEMENT ON ACCOUNT OF THE LOSS OF PRESENT OR PROSPECTIVE PROFITS DUE TO FAILURE OF THIS UNIT, EITHER DURING THE WARRANTY PERIOD OR AFTER EXPIRATION OF THE WARRANTY, OR FOR ANY OTHER REASON WHATSOEVER.
- The LCD panel fitted to this unit is manufactured with high precision technology, giving a functioning pixel ratio of at least 99.99%. Thus a very small proportion of pixels may be “stuck”, either always off (black), always on (red, green, or blue), or flashing. In addition, over a long period of use, because of the physical characteristics of the liquid crystal display, such “stuck” pixels may appear spontaneously. These problems are not a malfunction.

Design and specifications are subject to change without notice.

<http://www.sony.net/>

Sony Corporation

Free Manuals Download Website

<http://myh66.com>

<http://usermanuals.us>

<http://www.somanuals.com>

<http://www.4manuals.cc>

<http://www.manual-lib.com>

<http://www.404manual.com>

<http://www.luxmanual.com>

<http://aubethermostatmanual.com>

Golf course search by state

<http://golfingnear.com>

Email search by domain

<http://emailbydomain.com>

Auto manuals search

<http://auto.somanuals.com>

TV manuals search

<http://tv.somanuals.com>