

Digital Photo Printer

Operating Instructions

UP-DR80

Owner's Record

The model and serial numbers are located at the rear. Record these numbers in the space provided below. Refer to these numbers whenever you call upon your Sony dealer regarding this product.

Model No. _____

Serial No. _____

WARNING

To reduce the risk of fire or electric shock, do not expose this apparatus to rain or moisture.

To avoid electrical shock, do not open the cabinet. Refer servicing to qualified personnel only.

THIS APPARATUS MUST BE EARTHED.

Warning

This unit has no power switch.

When installing the unit, incorporate a readily accessible disconnect device in the fixed wiring, or connect the power plug to an easily accessible socket-outlet near the unit.

If a fault should occur during operation of the unit, operate the disconnect device to switch the power supply off, or disconnect the power plug.

Warning on power connection

Use a proper power cord for your local power supply.

1. Use the approved Power Cord (3-core mains lead) / Appliance Connector / Plug with earthing-contacts that conforms to the safety regulations of each country if applicable.
2. Use the Power Cord (3-core mains lead) / Appliance Connector / Plug conforming to the proper ratings (Voltage, Ampere).

If you have questions on the use of the above Power Cord / Appliance Connector / Plug, please consult a qualified service personnel.

For the customers in the U.S.A.

This equipment has been tested and found to comply with the limits for a Class A digital device, pursuant to Part 15 of the FCC Rules. These limits are designed to provide reasonable protection against harmful interference when the equipment is operated in a commercial environment. This equipment generates, uses, and can radiate radio frequency energy and, if not installed and used in accordance with the instruction manual, may cause harmful interference to radio communications. Operation of this equipment in a residential area is likely to cause

harmful interference in which case the user will be required to correct the interference at his own expense.

You are cautioned that any changes or modifications not expressly approved in this manual could void your authority to operate this equipment.

All interface cables used to connect peripherals must be shielded in order to comply with the limits for a digital device pursuant to Subpart B of Part 15 of FCC Rules.

For the customers in Europe

The manufacturer of this product is Sony Corporation, 1-7-1 Konan, Minato-ku, Tokyo, Japan.

The Authorized Representative for EMC and product safety is Sony Deutschland GmbH, Hedelfinger Strasse 61, 70327 Stuttgart, Germany.

For any service or guarantee matters, please refer to the addresses given in separate service or guarantee documents.

This apparatus shall not be used in the residential area.

Warning

This is a Class A product. In a domestic environment, this product may cause radio interference in which case the user may be required to take adequate measures.

For kundene i Norge

Dette utstyret kan kobles til et IT-strømfordelingssystem.

Table of Contents

Introduction

Features	4
System Configuration	4
Location and Function of Parts and Controls	4
Front	4
Rear	5

Preparation

Supplied Accessories	6
Carrying the Printer	6
Connections	7
USB Port Connection	7
Installing the Printer Driver	7

Operation

Before Printing	8
Notes on Handling the Ink Ribbon and Paper	8
Loading the Ink Ribbon and Paper	9
Replacing the Ink Ribbon and Paper	12
Printing	13
Removing Scraps	14

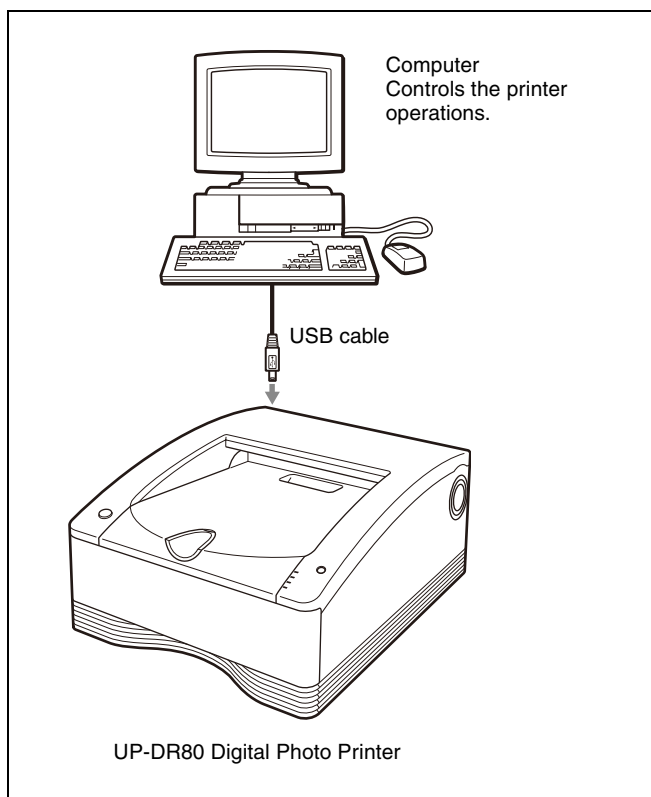
Miscellaneous

Precautions	16
Safety	16
Installation	16
Transportation	16
Cleaning	16
Cleaning the Internals of the Printer	16
Ink Ribbon and Paper	19
Specifications	20
About the Self-Laminating Color Printing Pack (2UPC-R810)	20
Troubleshooting	21
Explanation of Indicators	22
If a Paper Jam Occurs	23

Features

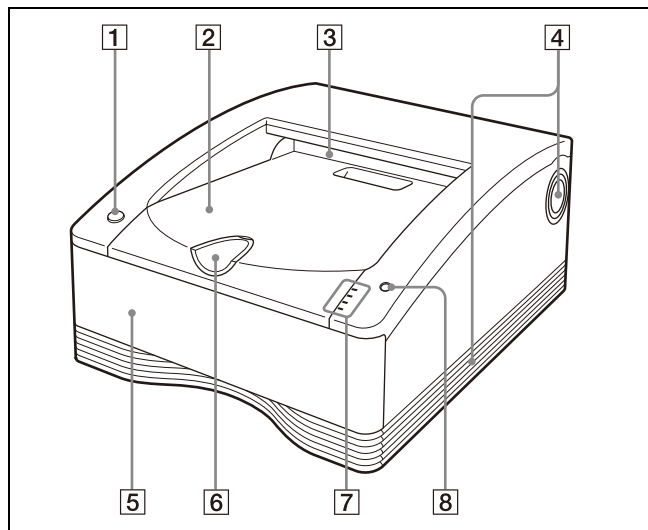
The UP-DR80 Digital Photo Printer is a dye sublimation thermal transfer printer providing high quality and high resolution printing of computer image data in full color (256 gradations process and 16.7 million colors).

System Configuration

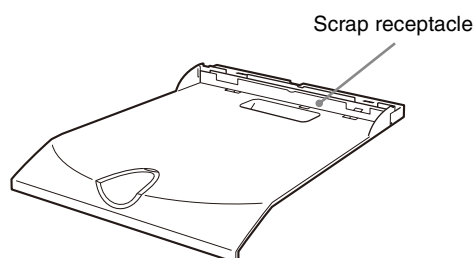


Location and Function of Parts and Controls

Front



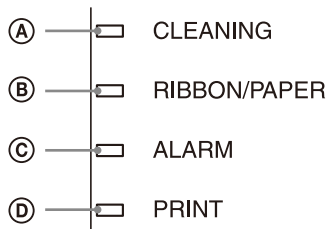
- 1 ON/STANDBY switch/indicator**
When this switch is pressed, the indicator lights, and the printer enters the ready state. When it is pressed again, the indicator flashes and then goes out, and the printer enters the standby state.
- 2 Paper cover**
Printouts stack here.
The margins of empty space that are created between each printout are cut off during printing and dropped into the scrap receptacle at the back of the paper cover.



- 3 Paper outlet**
Printouts are ejected here.
- 4 Vent openings**
- 5 Media tray (page 9)**
The ink ribbon and paper are loaded here.
- 6 Stopper (page 13)**
Flip this stopper up in order to prevent the ejected printouts from falling.

7 Indicators

The indicators are as shown below:

**(A) CLEANING indicator**

Lights while cleaning is in progress.

(B) RIBBON/PAPER indicator

Lights when an error involving the ink ribbon or paper occurs.

(C) ALARM indicator

Lights when an error such as a paper jam occurs.

(D) PRINT indicator

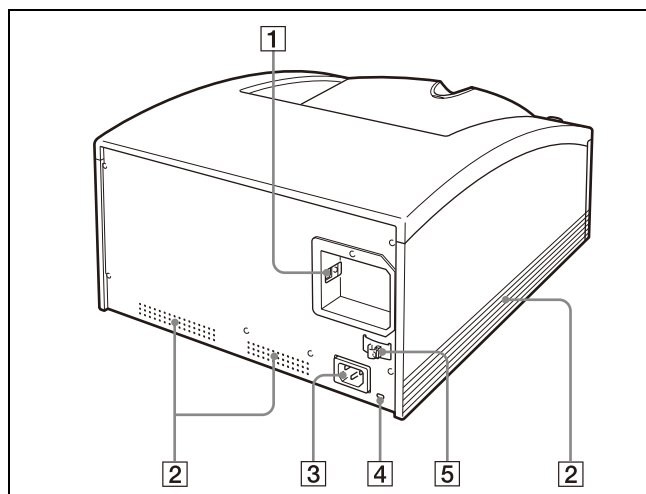
Lights while printing is in progress.

The location and cause of an error can be determined according to which of the indicators (PRINT, ALARM, RIBBON/PAPER and CLEANING) are on or flashing. For details, refer to “Explanation of Indicators” on page 22.

8 STOP button (page 13)

Press this button to stop a continuous printing operation.

When this button is pressed, the printer returns to ready state after the current page is printed and ejected.

Rear**1 USB connector**

Connects to a computer equipped with the USB interface (which conforms to USB 2.0), using a USB cable (supplied).

2 Vent openings**3 ~AC IN connector (page 7)**

Use the power cord provided.

4 Security slot

Used to attach a security cable.

5 USB cable stopper (page 7)

Fixes the USB cable to prevent it from being disconnected.

Preparation

Supplied Accessories

This printer is packed together with the following accessories. Check that nothing is missing from your package.

Paper holder
(pink) (1)



Paper holder
(blue) (1)



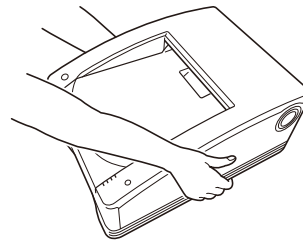
USB cable 1-824-211-41 (SONY) (1)
Before Using this Printer (1)
CD-ROM (1)
Cleaning ribbon (1)
Software License Agreement (1)

Note

Retain the original carton and packing materials in case you have to transport this unit in the future.

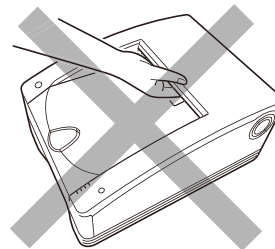
Carrying the Printer

Hold both sides of the printer as shown below when carrying the printer.



Note

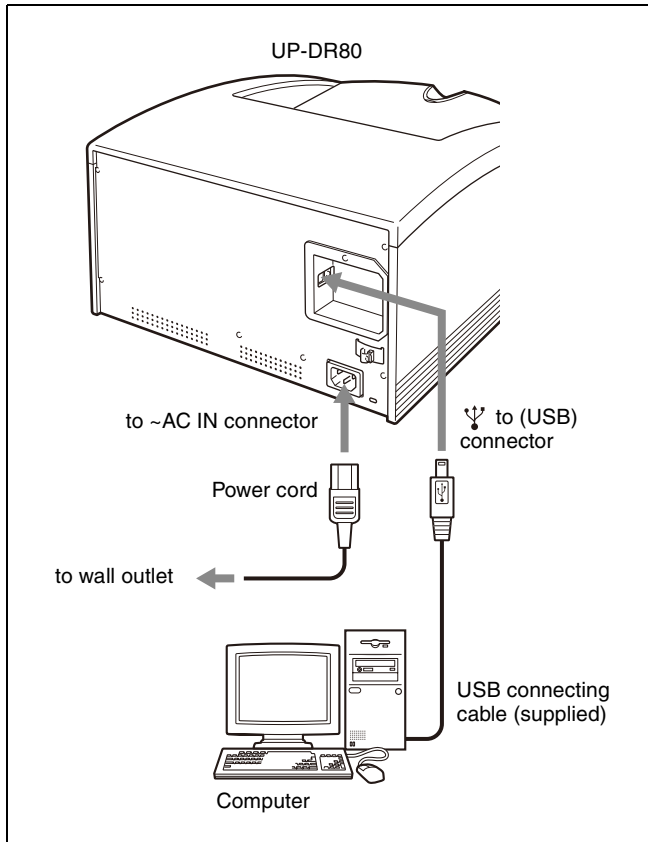
NEVER handle or lift the printer as shown.



Connections

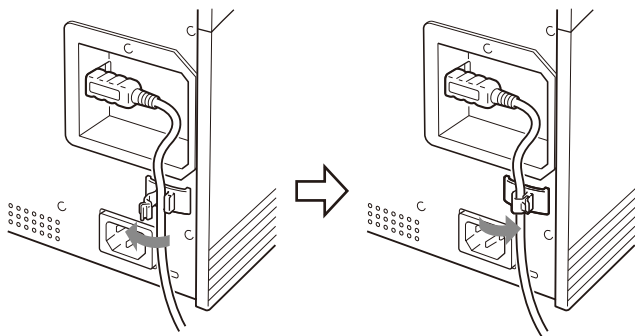
After connecting a USB connecting cable (supplied) to the printer and the computer, connect the power cord. For details about the printer connection, refer to the manuals for the computer or other peripheral devices.

USB Port Connection



Securing the USB cable

After you connect the USB cable to the printer, it is recommended that you use the cable stopper to secure the USB cable to prevent it from being accidentally disconnected.



Notes

- Follow the connection procedures described in the computer manual.
- Make sure that the USB cable is connected securely at both ends.
- The printer driver software provided with the printer is not suitable for using the printer connected to a network.
- Operation of the printer is not guaranteed for connection to a USB hub.

Installing the Printer Driver

After connecting the printer to your computer, turn on the printer. For details on installation, refer to the install guide and ReadMe file included on the supplied CD-ROM.

Before Printing

Once the printer is connected to the computer (page 7), before you can actually begin printing you must load the paper and the ink ribbon as described below.

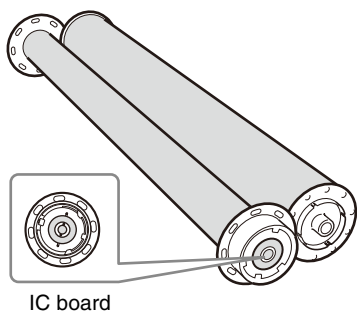
Notes on Handling the Ink Ribbon and Paper

Compatible ink ribbon and paper

- Be sure to use only ink ribbon and paper that is intended specifically for use with this printer.
- Always use the ink ribbon and paper provided in the same package together. Each printing pack contains two ink ribbons rolls and two paper rolls.
- For details on the ink ribbon and paper that can be used in this printer, see “Ink Ribbon and Paper” on page 19.

Handling the ink ribbon

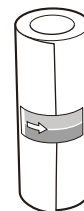
- Do not separate the two spools of the ink ribbon before loading it in the printer.
- An IC board is built into one of the spools. Do not touch the terminals of the IC board, and do not allow them to come into contact with metal objects, etc. Furthermore, do not strike, bend or drop the ink ribbon; doing so could make the ink ribbon unusable.



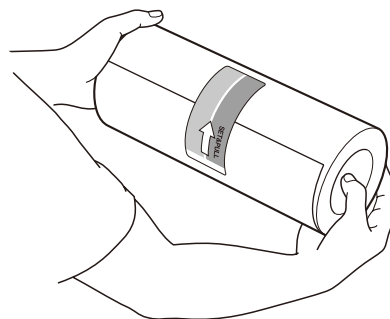
- Do not attempt to re-use a used ink ribbon.
- Do not rewind the ink ribbon.
- Do not touch the surface of the ink ribbon, and do not leave it exposed in a dusty location. Fingerprints and dust on the surface of the ink ribbon can cause smudges in printed output, and can damage the thermal head.
- Since, like other color dyes, the dyes used in this ink ribbon may discolor over time, the product will neither be replaced nor be warranted against any color change.

Handling paper rolls

- Place the paper roll vertically on the stable place, when opening the wrapping. If you open the wrapping holding it with hands or placing it horizontally, you may drop it. Dropping may result in an injury.
- Be sure not to open the wrapping with a knife such as a cutter. This may damage a paper roll and ink ribbon and you may not be able to use them for printing.
- Whenever you set down a paper roll, place it standing on its end as show in the figure below. If you place it on its side, it could roll of the surface and fall, possibly causing personal injury.



- Always hold a paper roll securely with two hands. Dropping a paper roll could cause personal injury. Any dust on the printing surface will result in poor printout quality.



Hold securely with two hands

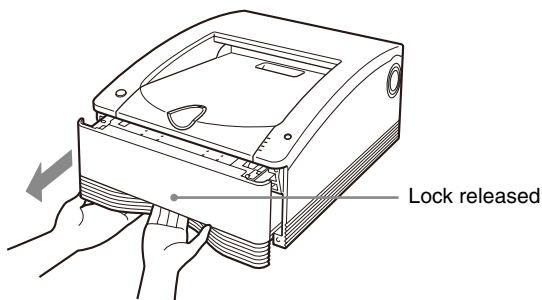
Notes on storing ink ribbons and paper

- Do not store ink ribbons and paper in locations exposed to high temperatures, high humidity, dust, or direct sunlight.
- Do not open the ink ribbon and paper packages until you are ready to use them.
- If it is necessary to store a partially used ink ribbon or paper roll for an extended period of time, it is recommended that they be stored in their original bags.

Loading the Ink Ribbon and Paper

When using the printer for the first time, it is necessary to first load the paper and ink ribbon.

- 1 Make sure that the printer is not performing an operation, and then pull out the media tray. As shown in the figure below, hook your fingers under the bottom edge of the media tray and pull the tray out, using your other hand to support the media tray from the bottom.

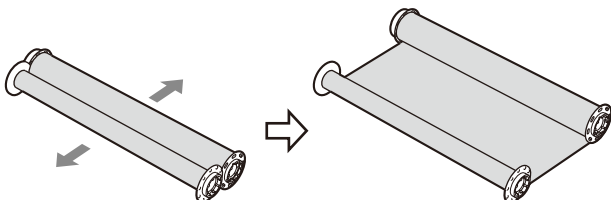


The media tray is normally locked in place when it is in the printer. The lever that releases the media tray is located behind the bottom edge of the tray. To unlock the tray, simply pull the lever with your fingers.

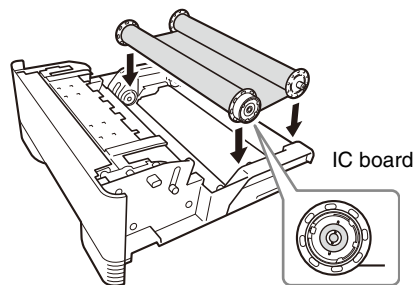
Notes

- Be careful not to drop the media tray when pulling it out. Dropping the media tray may result in an injury. When pulling out and inserting the media tray, hold the handle part with one hand and support the media tray from the bottom with the other hand, while making sure both of your hands are securely holding the media tray.
- Do not leave the media tray partially opened. When performing work on the media tray, pull it out of the printer completely.
- Perform the work while the removed tray is placed on a stable surface.
- Do not set the media tray down in a dusty location. Dust can cause smudges in printed output, and can damage the thermal head.

- 2 Separate the two spools of the ink ribbon.

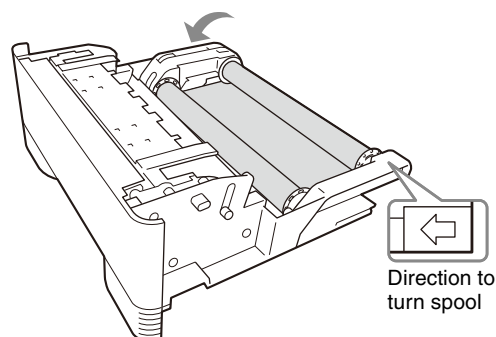


- 3 Load the ink ribbon in the media tray. Place the ink ribbon in the media tray so that the IC board of the ink ribbon is positioned as shown in the figure below.

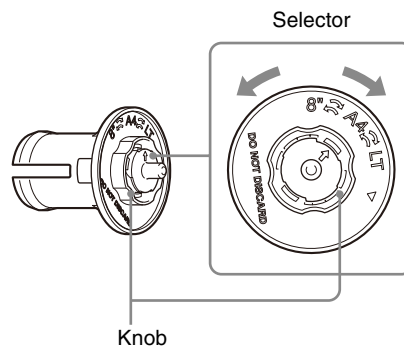


Note

If there is any slack in the cleaning ribbon after it is placed in the tray, take up the slack by turning the spool in the direction indicated by the arrow in the following figure.



- 4 Set the selector for the paper holder (blue). Turn the knob on the paper holder (blue) selector to match the size of the paper roll.



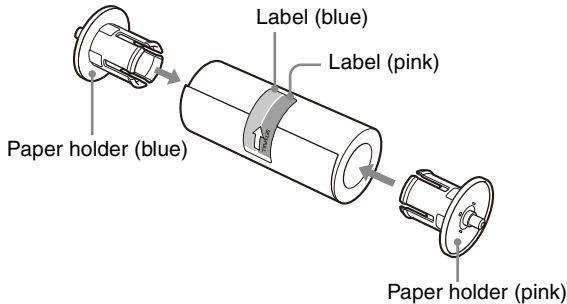
When using paper specifically made for the printer (2UPC-R810), set the selector to the 8" position. The selector positions correspond to paper sizes as follows.

- 8": 8 inch
- A4: A4 size
- LT: Letter size

Note

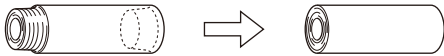
Do not turn the selector beyond the range of the paper size marks when setting it. Doing so may result in damage.

- 5** Insert the paper holders into the paper roll.
A pink paper holder and a blue paper holder are provided with the printer. Insert these paper holders into the ends of the paper roll as shown in the figure below, with the pink paper holder in the end closer to the pink adhesive label and the blue paper holder in the end closer to the blue label.

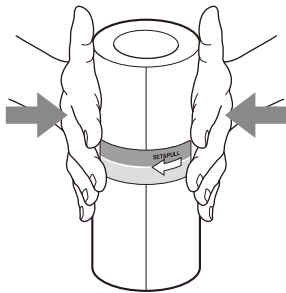


Notes

- If the edges of the paper on the ends of the paper roll are not even, it is necessary to make the edges even (being careful not to crumple the edges while doing so) before placing the paper roll in the media tray. Using a paper roll with uneven edges can cause a malfunction.



- Do not strike or squeeze the paper roll. Doing so could break or bend the paper roll, and could result in poor printing quality.
- If inserting the paper holder into the paper roll is difficult when loading the paper roll, squeeze the roll from both sides to restore its shape.

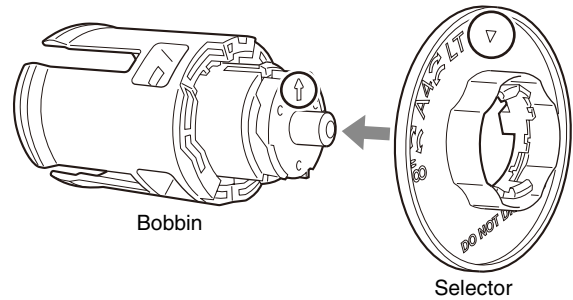


- Correctly insert the paper holders all the way.

If the paper holder selector comes off

The selector could come off if you drop the blue paper holder. Follow the procedure described below to reattach the selector to the paper holder.

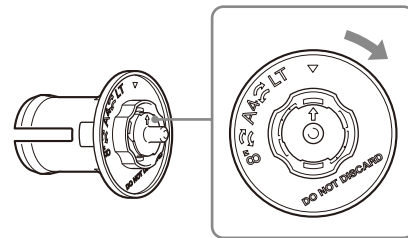
- ①** As shown in the figure below, put the selector in the bobbin, line up the ▼ mark on the selector with the arrow on the bobbin, and then push the selector into place.
The hook on the selector snaps into the notch on the bobbin marked by the arrow.



Note

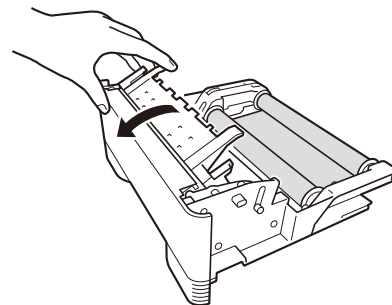
There are two hooks on the selector: one indicated by the ▼ mark and the other on the opposite side of the selector. Do not install the selector so that the hook on the side opposite of the ▼ mark is in the notch on the bobbin marked by the arrow, as doing so could result in damage to the paper holder.

- ②** Turn the selector in the direction indicated by the arrow in the figure below until it clicks into place.

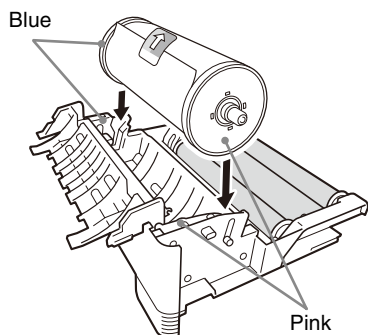


- 6** Load the paper roll in the media tray.

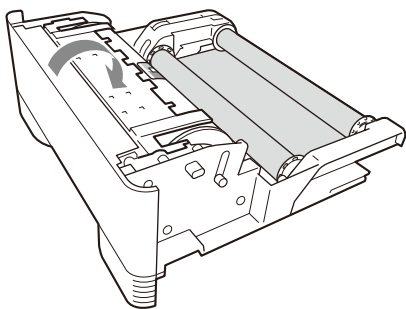
- ①** Open the media tray cover.



- ② Place the paper roll in the media tray so that the arrow on the label points toward the ink ribbon side. You can load the paper roll in the correct direction by matching the colors of the paper holders inserted into the paper roll with the colors on the media tray.



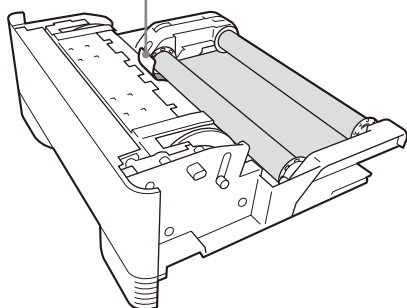
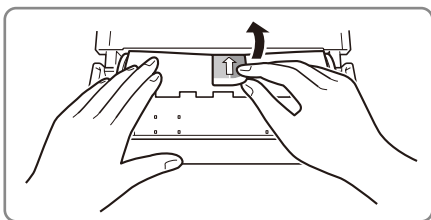
- ③ Close the media tray cover so that it clicks into place.



Note

Once the paper roll has been loaded, do not touch the printing surface (the inner surface of the paper roll). Fingerprints or sweat on the surface of the paper, or even creases in the paper, could result in poor printing quality.

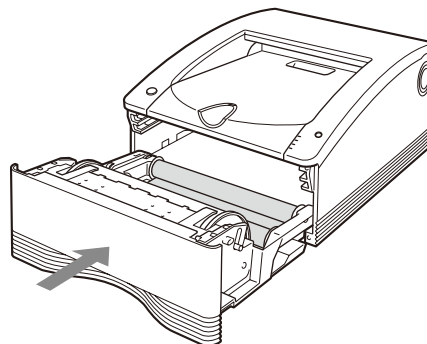
- 7 Carefully peel off the adhesive labels from the paper roll in the direction indicated by the arrow.



Note

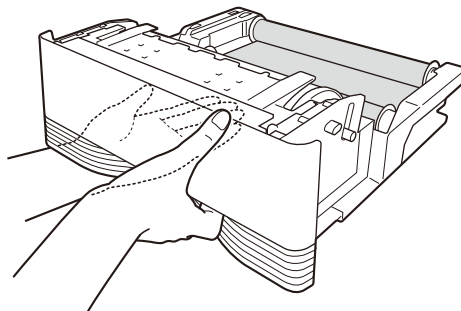
Be certain to remove the labels completely. If the labels are not peeled off carefully, they can leave adhesive on the paper. Leaving any of the label in the printer can cause a malfunction.

- 8 Insert the media tray into the printer. Push the media tray in until it clicks into place.

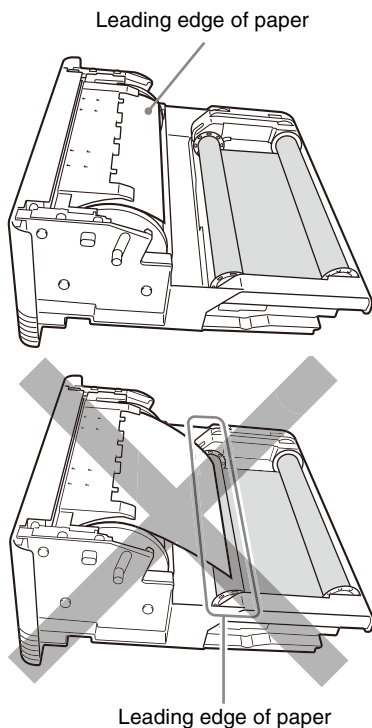


Notes

- Dropping the media tray while it is loaded with paper and ink ribbon could cause personal injury. Always use two hands when carrying the media tray, supporting the media tray from the bottom.



- Removing the adhesive labels before closing the cover can cause a malfunction.
- Wind the paper roll if the leading edge of the paper is touching the ink ribbon. If the leading edge of the paper is left resting on the ink ribbon, malfunctions may occur.



If the ink ribbon becomes torn while still in use

Cellophane tape, etc., can be used to repair a torn ink ribbon so that the remainder of the ribbon can be used.

Replacing the Ink Ribbon and Paper

Once the ink ribbon or paper have been used to print the specified number of sheets, follow the procedure described below to replace the ink ribbon and paper.

Notes

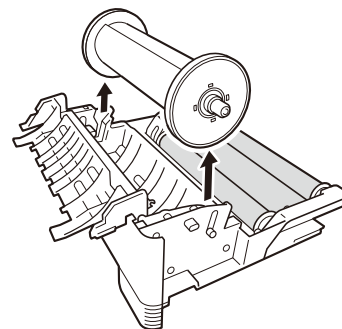
- Be sure to replace the ink ribbon and the paper roll at the same time.
- The ink ribbon and paper roll both contain excess material. Even if there appears to be some excess ink ribbon or paper remaining, replace both with a new ink ribbon and paper roll. Attempting to use the remaining excess ink ribbon or paper can cause a malfunction.

- 1** Make sure that the printer is not performing an operation, and then pull out the media tray.

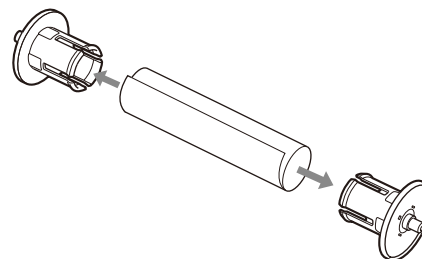
Notes

- If the media tray does not pull out, do not force it out. Press the ON/STANDBY switch to enter the standby state, and then press the switch again to turn the printer ON. Try pulling the media tray again after the printer finishes initializing.
- After a printing operation is completed, the thermal head is very hot. When pulling out the media tray, be careful not to touch the thermal head. Touching the thermal head could result in a burn. Also, be careful not to scratch the thermal head.

- 2** Open the cover of the media tray and remove the paper roll.



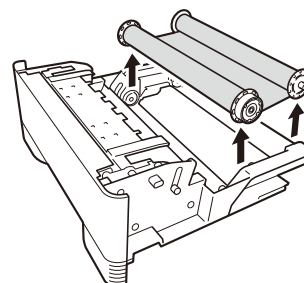
- 3** Remove the paper holders from the paper roll.



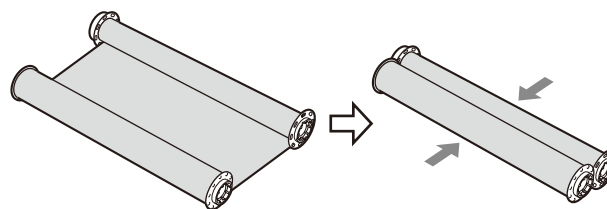
Note

Be sure to retain the paper holders for use with the next paper roll. Do not discard the paper holders.

- 4** Remove the ink ribbon.



Roll together the two spools of the ink ribbon that you just removed.

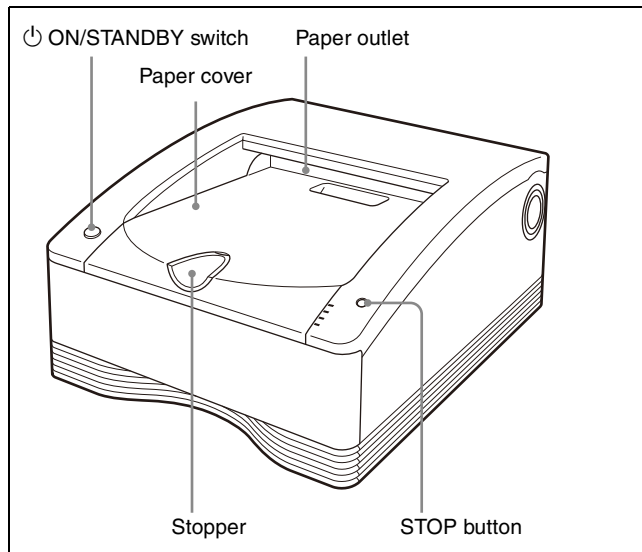



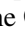
- 5** Load the new ink ribbon and paper. For details on how to load ink ribbon and paper, refer to step 2 onward for “Loading the Ink Ribbon and Paper” on page 9.

Printing


Before printing

- Is the printer connected to a computer? (page 7)
- Has the printer driver been installed? (page 7)
- Has the media tray been properly loaded? (page 9)




- 1** Press the printer  ON/STANDBY switch to turn on the power of the printer. The  ON/STANDBY indicator lights and initialization of the printer begins. The PRINT, ALARM, RIBBON/PAPER, and CLEANING indicators light simultaneously during initialization of the printer, and go out when initialization is complete.
- 2** Turn the computer on.
- 3** Using the computer, initiate a printing operation. The PRINT indicator flashes while the image data is being received, and then remains steadily lit while printing is in progress.

Notes

- Do not place objects on the paper cover that will obstruct printing. Doing so may result in damage.
- Although the paper being printed may come into view in the paper outlet while printing is in progress, do not touch the paper until printing is completed. Doing so could result in misoperation.
- Do not allow more than 12 printouts to accumulate on the paper cover. Leaving too many printouts on the paper cover could cause a paper jam.
- Do not press the  ON/STANDBY switch to enter the standby state while printing is in progress. Doing so may cause a paper jam or the ink ribbon to break.

- **Do not open the media tray while printing is in progress.**

If the media tray is opened, printing stops and the PRINT, ALARM, RIBBON/PAPER, and CLEANING indicators all light simultaneously. In such an event, press the  ON/STANDBY switch once to enter the standby state and then press the switch again to turn the printer ON, and check that there is no paper jam or the ink ribbon is not broken. Also, if printing was partway through, cut off the used part of the paper roll with a pair of scissors or the like before using the printer.

Notes

Storing printed images

- Avoid storing printouts in a location subject to high temperatures, high humidity, excessive dust or direct sunlight. Such conditions could result in fading.
- Do not stick tape on a printout. Also, do not let printouts come into contact with materials which contain plasticizers, such as erasers or desk mats.
- Do not allow volatile organic solvents, such as alcohol, to come into contact with printouts.

Cancelling continuous printing

Press the STOP button. Printing of the current item finishes, and then the printer enters the ready state once the printout is ejected.

When printing is disabled

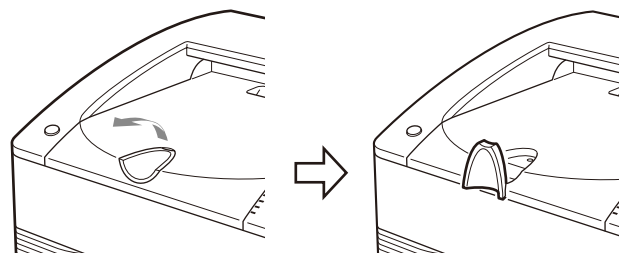
The printer will not operate if the ALARM, RIBBON/PAPER or CLEANING indicator is on. For details, see "Explanation of Indicators" on page 22.

If the ink ribbon runs out while continuous printing

The printer terminates the printing operation. Once the new ink ribbon is loaded, the printing operation automatically resumes and the remaining images are printed.

Using the stopper

To prevent ejected printouts from falling off of the paper cover, insert your finger in the depression on the edge of the stopper and then flip the stopper up in the direction indicated by the arrow in the diagram below.



When removing and then reloading a partially used paper roll

If the paper roll is not tightly rolled, roll it up more tightly before reloading it.



Note

When removing a partially used paper roll, be sure to place the media tray on a stable surface before beginning.





If you drop the media tray while it contains a paper roll, it could cause personal injury.

When removing and inserting the media tray, be sure to use both hands, with one hand holding the handle and the other hand supporting the media tray from the bottom.

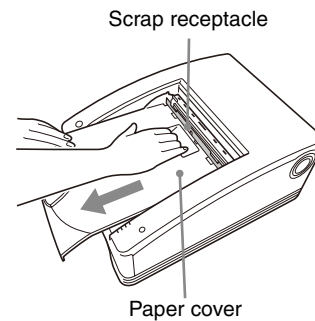
Removing Scraps

In the following cases, pull out the paper cover and remove scraps that have accumulated in the scrap receptacle.

- When replacing the ink ribbon and paper
- When the CLEANING and ALARM indicators light

	CLEANING
	RIBBON/PAPER
	ALARM
	PRINT

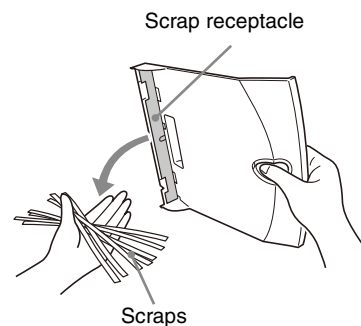
- 1 Pull out the paper cover horizontally as shown.



Notes

- Always grasp the body of the paper cover when pulling it out. If you pull the paper cover by the stopper, the stopper may detach and the paper cover may fall off and cause injuries.
- When you pull out the paper cover, be sure to remove any scraps that may have fallen onto the printer.

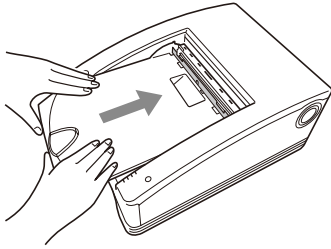
- 2 Empty the scrap receptacle.



Note

Do not strike the paper cover with hard objects to remove the scraps. Doing so may result in damage.

- 3** Insert the empty paper cover horizontally to attach it.



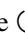
Note

Be sure to insert the paper cover fully and attach it securely.



Precautions

Safety

- Operate the printer using the power source specified in “Specifications” (page 20).
- Be careful not to damage the power cable by placing or dropping heavy objects on it; it is dangerous to use the unit with a damaged power cable.
- If you do not intend to use the printer for a long time, press the  ON/STANDBY switch on the printer to enter the standby state and then remove the power plug.
- Unplug the power cable by grasping the plug, not the cable itself.
- Do not disassemble the unit. There is a danger of electric shock from the internal parts.
- Be careful not to spill water or other liquids on the unit, or to allow combustible or metallic material to enter the cabinet. If used with foreign matter in the cabinet, the unit is liable to fail, or present a risk of fire or electric shock.
- If the unit malfunctions or if a foreign body falls into the cabinet, disconnect the power immediately and consult your Sony service facility or your Sony dealer.

Installation

- Avoid placing the unit in a location subject to:
 - mechanical vibration
 - high humidity
 - excessive dust
 - direct or excessive sunlight
 - extremely high or low temperatures
- Ventilation holes are provided on the back of the unit to prevent the unit from overheating. Be careful not to obstruct them with other objects or by covering the unit with a cloth etc.

On condensation

- If the printer is subjected to wide and sudden changes in temperature, such as when it is moved from a cold room to a warm room or when it is left in a room with a heater that tends to produce quantities of moisture, condensation may form inside the printer. In such cases the printer will probably not work properly, and may even develop a fault if you persist in using it. If moisture condensation forms, turn off the power and leave the printer standing for at least one hour.
- If the printing pack is subjected to wide and sudden changes in temperature, condensation may form on the ink ribbon or paper inside. This will cause the printer to

malfunction. Also, if the printing pack is used in this state, spots are likely to appear on the printout.

- To store a half-used printing pack, replace it in its original packing and reseal the package. If possible, keep the sealed printing pack in a cool, dark location. To subsequently use the printing pack, place it, in its sealed package, in a warm room for several hours. Doing so prevents condensation from forming when the printing pack is removed from its package.


Transportation

When transporting the printer, be certain to first remove all accessories, including the ink ribbon and paper. Carrying the printer with accessories installed can later cause the printer to malfunction. It is recommended that the ink ribbon and paper roll be stored in their original bags.

Transporting the printer with scraps (created during printing) inside the paper cover may also result in malfunction. Before transporting the printer, be sure to perform the procedure in “Removing Scraps” on page 14 to remove the scraps.

Cleaning

Note

Before you clean the printer, be sure to press the  ON/STANDBY switch to enter the standby state and then remove the power plug.

When the cabinet becomes dirty

Clean the cabinet, panel and controls with a soft dry cloth, or a soft cloth lightly moistened with a mild detergent solution.

Do not use any type of solvent, such as alcohol or benzene or chemical cloth, which may damage the finish.

Cleaning the Internals of the Printer

Perform thermal head cleaning if lines and marks appear on printouts, and perform roller cleaning if scratches appear at regular intervals.

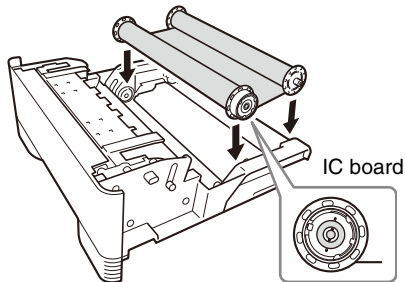
Thermal head cleaning

To maintain print quality, we recommend that you perform regular thermal head cleaning once a month or once after every 10 printing packs used.

- 1 Make sure that the printer is not performing an operation, and then pull out the media tray.
- 2 Confirm whether there is paper inside.

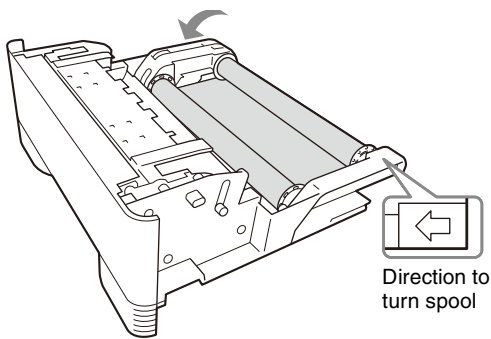
3 Remove the ink ribbon.
For details on how to remove the ink ribbon, see step 4 of “Replacing the Ink Ribbon and Paper” on page 12.

4 Load the cleaning ribbon.
For details on how to load the cleaning ribbon, see steps 2 and 3 of “Loading the Ink Ribbon and Paper” on page 9.



Note

If there is any slack in the cleaning ribbon after it is placed in the tray, take up the slack by turning the spool in the direction indicated by the arrow in the following figure.



5 Insert the media tray into the printer.
When the printer finishes initializing, the CLEANING indicator flashes and cleaning starts automatically.
When cleaning is completed, the paper that was used for cleaning is ejected and the CLEANING indicator remains lit.

If you want to clean the rollers, proceed to “Roller cleaning” on page 17.
If you are not cleaning the rollers, continue with the steps below.

6 Make sure that the printer is not performing an operation, and then pull out the media tray.

7 Remove the cleaning ribbon.

8 Load the ink ribbon.

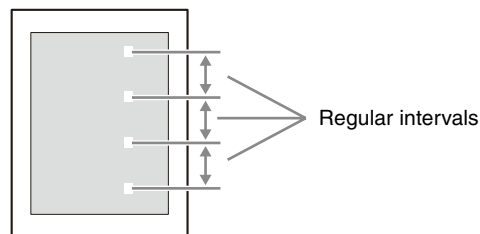
9 Insert the media tray into the printer.

Notes

- Store the cleaning ribbon in a location without dust (such as in a bag).
- Place the removed media tray on a stable surface when loading and removing the cleaning ribbon.
- Dropping the media tray while paper is loaded may result in an injury. When pulling out and inserting the media tray, hold the handle part with one hand and support the media tray from the bottom with the other hand, while making sure both of your hands are securely holding the media tray.

Roller cleaning

On rare occasion, scratches may appear at regular intervals on printouts as shown in the following. These scratches appear when the rollers inside the printer are dirty and indicate that cleaning is necessary.



You can remove dust and other particles attached to the rollers by using a cleaning sheet*.

* Cleaning sheets (Cleaning Sheet 80) are supplied with printing packs. They can also be purchased separately (page 20).

The following describes the cleaning procedure.

Notes

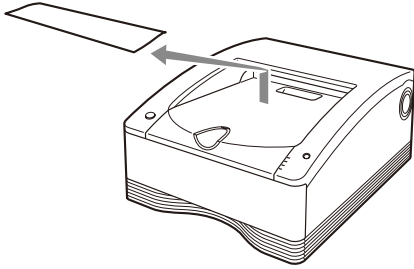
- Perform roller cleaning while the cleaning ribbon is still inside the printer after thermal head cleaning.
- Keep a scratched printout and remember the direction it was facing when ejected. You will need it later to confirm the position of the scratches.
- Be sure to use only one cleaning sheet per cleaning procedure. Using more than one sheet for a single roller cleaning procedure may result in malfunction.

1 If thermal head cleaning has not been performed, perform steps 1 to 5 of “Thermal head cleaning” on page 16.

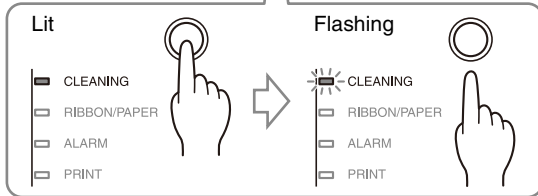
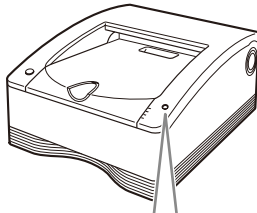
Note

When performing roller cleaning, do not pull out the media tray after thermal head cleaning is performed.

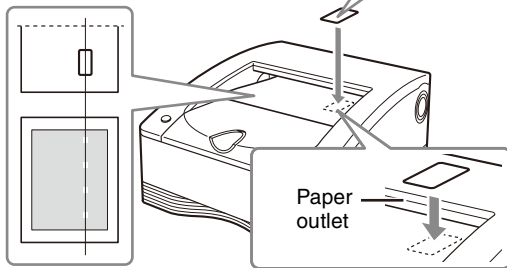
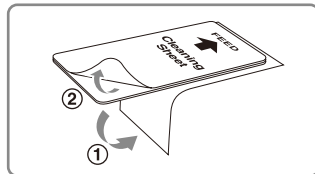
- 2** Remove the paper that is ejected after thermal head cleaning is performed.



- 3** Press and hold the STOP button, and release the button when the CLEANING indicator flashes. About 20 cm of paper is fed out of the printer from the paper outlet.



- 4** Attach the cleaning sheet to the partially ejected paper, and remove the backing paper.



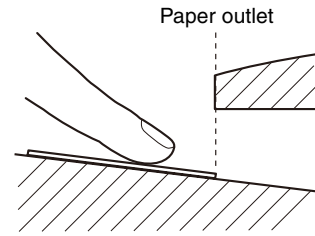
Attach the cleaning sheet vertically in the position where the scratches appeared.

When attaching the cleaning sheet, align its edge with the edge of the paper outlet.

Notes

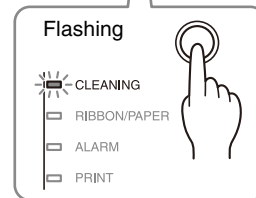
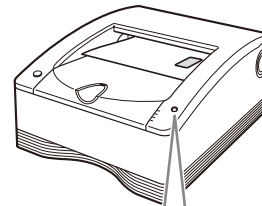
- Orient the scratched printout that you kept in the direction it was facing when ejected, and use it to align the position of the cleaning sheet with the position of the scratches.

- Press the cleaning sheet with your finger to make sure that it is firmly affixed.



- Make sure there is no air trapped under the cleaning sheet and the corners of the sheet are not curling up. Such cases will result in paper jams.
- If air is trapped under the cleaning sheet, be sure to press it out.

- 5** Press the STOP button. Roller cleaning with the cleaning sheet starts.



When cleaning finishes, the paper is ejected and the CLEANING indicator remains lit.

Notes

- The cleaning sheet is ejected with the paper. Discard the paper and do not reuse it.
- To perform roller cleaning again, repeat the procedure from step 3.
- If an error occurs, restart the procedure from step 1.

- 6** Make sure that the printer is not performing an operation, and then pull out the media tray.

- 7** Remove the cleaning ribbon.

- 8** Load the ink ribbon.

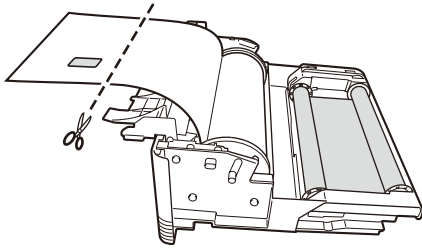
- 9** Insert the media tray into the printer. This completes the cleaning procedure.

Notes

- As paper is used during cleaning procedures, the specified number of prints possible with a paper roll may be reduced if the same roll is used for multiple cleaning procedures.
- If there is not enough paper, the paper on which the cleaning sheet is attached may remain on the paper

holder after cleaning is performed. In such cases, be sure to replace the paper roll.

- If the cleaning sheet is not ejected despite sufficient paper, cut off the paper on which the cleaning sheet is attached from the paper holder, and repeat the procedure from step 2.



Ink Ribbon and Paper

Laminate Color Printing Pack 2UPC-R810

Contains two color ink ribbons and two rolls of paper (8-inch width).

Printable quantity

The number of printouts that can be printed with a single set of ink ribbon and paper depends on the printout size as follows.

Size	Number of sheets
8 × 10	50 sheets
8 × 12	42 sheets
8 × 10+	50 sheets
4 × 8	126 sheets
5 × 7	100 sheets
6 × 8	84 sheets

Notes

- Do not change the ink ribbon and paper roll when they are only partially used. Doing so can cause problems. The number of printouts indicated above is not quarantined.
- **When the ink ribbon is used up, replace both the ink ribbon and the paper roll.**
- **Depending on the size of printouts, the ink ribbon may not be used up entirely.**

Specifications

Power requirements

100 to 240 V AC, 50/60 Hz

Input current 3.4 to 1.4 A

Operating temperatures

5 °C to 35 °C (41 °F to 95 °F)

Operating humidity

20% to 80% (no condensation)

Dimensions Approx. 317 × 425 × 207 mm (w × d × h)

Weight Approx. 11.5 kg

Printing system Dye transfer sublimation thermal printing

Thermal head 11.83 dot/mm, 2,560 dots (301 dpi)

Gradations 8-bit (256-level) processing each for yellow, magenta, and cyan

Maximum print size

8 × 10: 203 × 254 mm (8 × 10 inch)

8 × 12: 203 × 305 mm (8 × 12 inch)

8 × 10+: 203 × 259 mm (8 × 10.2 inch)

4 × 8: 203 × 99 mm (3.89 × 8 inch)

5 × 8: 203 × 128 mm (5.02 × 8 inch)

6 × 8: 203 × 150 mm (5.92 × 8 inch)

Picture elements

8 × 10: 2,472 × 3,056 dots

8 × 12: 2,472 × 3,660 dots

8 × 10+: 2,472 × 3,116 dots

4 × 8: 2,472 × 1,220 dots

5 × 7: 2,136 × 1,558 dots

6 × 8: 2,472 × 1,830 dots

Printing time

Approx. 65 seconds

(when printing 8 × 10 size)

(Printing time may vary depending on the conditions of use.)

Interface Hi-Speed USB (USB 2.0)

Accessories supplied

Paper holder (pink) (1)

Paper holder (blue) (1)

Cleaning ribbon (1)

USB cable 1-824-211-41 (SONY) (1)

Before Using this Printer (1)

CD-ROM (1)

Software License Agreement (1)

Optional accessories

Ink ribbon/paper roll

Self-Laminating Color Printing Pack
2UPC-R810

Cleaning Sheet 80 Pack A-1737-055-

Design and specifications are subject to change without notice.

Notes

- Always verify that the unit is operating properly before use. SONY WILL NOT BE LIABLE FOR DAMAGES OF ANY KIND INCLUDING, BUT NOT LIMITED TO, COMPENSATION OR REIMBURSEMENT ON ACCOUNT OF FAILURE TO PRINT CONTENT OF ANY TYPE OR LOSS OF DATA DUE TO FAILURE OF THIS UNIT OR ITS PRINTING MEDIA, ASSOCIATED SOFTWARE, EXTERNAL STORAGE, OR OTHER EXTERNAL DEVICE.
- SONY WILL NOT BE LIABLE FOR DAMAGES OF ANY KIND INCLUDING, BUT NOT LIMITED TO, COMPENSATION OR REIMBURSEMENT ON ACCOUNT OF THE LOSS OF PRESENT OR PROSPECTIVE PROFITS DUE TO FAILURE OF THIS UNIT, EITHER DURING THE WARRANTY PERIOD OR AFTER EXPIRATION OF THE WARRANTY, OR FOR ANY OTHER REASON WHATSOEVER.

About the Self-Laminating Color Printing Pack (2UPC-R810)

For the customers in Europe

The manufacturer of this product is Sony Corporation, 1-7-1 Konan, Minato-ku, Tokyo, Japan.

The Authorized Representative for EMC and product safety is Sony Deutschland GmbH, Hedelfinger Strasse 61, 70327 Stuttgart, Germany.



TEL: (0)711 5858 0 FAX: (0)711 5858 235

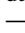
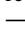


Precautions

- Store unopened paper rolls in a cool dark place.
- Open paper rolls only when ready to use.
- Please refer to the printer's instruction manual about how to load the paper roll.
- Promptly load the paper roll into the tray and place into the printer.
- This paper roll is specifically designed for Sony printers. Do not use with printers from other manufacturers.

Troubleshooting

If a problem appears, check the following troubleshooting guide first and perform whatever action is necessary to solve the problem. If the problem persists, turn off the printer and consult with your Sony dealer.

Symptom	Possible causes and remedies
The printer does not print even though images are being sent from the computer.	<ul style="list-style-type: none"> The printer is in the standby state (the  ON/STANDBY indicator is not lit). → Press the  ON/STANDBY switch. The printer is not connected properly. → Check the connections (page 7).
The printer does not print.	<ul style="list-style-type: none"> An indicator on the printer is displaying an error status. → Refer to “Explanation of Indicators” on page 22 and take the appropriate action.
The paper roll cannot be loaded in the media tray.	<ul style="list-style-type: none"> The paper roll is being loaded with the colors of the paper holders and the colors on the media tray incorrectly matched. → Load the paper roll so that the colors of the paper holders and the colors on the media tray match (page 11).
The paper does not feed.	<ul style="list-style-type: none"> The paper roll is loaded with the colors of the paper holders and the colors of the labels affixed to the paper roll incorrectly matched. → Load the paper roll so that the colors of the paper holders and colors of the labels affixed to the paper roll match (page 10). The paper roll is loaded with the left and right reversed (when the paper roll has been reloaded). → Load the paper roll in the proper direction (page 11). The paper holder selector does not match the size of the paper roll. → Set the selector properly (page 9). The label affixed to the paper roll has not been peeled off. → Peel the label off properly (page 11). The paper roll is wound too loosely. → Rewind the paper roll and then load it (page 14). The leading edge of the paper roll is folded. → Cut off the folded part so that the paper becomes straight (page 23).
The print area is printed offset.	<ul style="list-style-type: none"> The paper holder selector does not match the size of the paper roll. → Set the selector properly (page 9).
There are marks and stripes on the print side.	<ul style="list-style-type: none"> The thermal head is dirty. → Perform thermal head cleaning (page 16).
Scratches appear at regular intervals.	<ul style="list-style-type: none"> The rollers inside the printer are dirty. → Perform roller cleaning (page 17).

Symptom	Possible causes and remedies
The media tray cannot be opened.	<ul style="list-style-type: none"> The power may have been turned off during the printing operation. → Press the  ON/STANDBY switch to turn on the power of the printer and initialize the printer. The printer may not have been able to recover from an error. → Press the  ON/STANDBY switch to enter the standby state and then press the  ON/STANDBY switch again to turn on the power. If the media tray still cannot be opened, press the  ON/STANDBY switch to enter the standby state and then disconnect the power cord and contact your dealer.
The fan turns when the printer is in the ready state.	<ul style="list-style-type: none"> The printer is performing temperature control. This is not a malfunction.

Explanation of Indicators

The meanings of the indicators on the printer when they are on or flashing are described below.

Indicator	Status	Possible causes and remedies
ON/ STANDBY (green)	On	The printer is turned on.
	Flashing	The printer is entering the standby state.
CLEANING (orange)	On	The cleaning ribbon is loaded. →Remove the cleaning ribbon.
	Flashing	One of the following causes. <ul style="list-style-type: none"> Thermal head or roller cleaning is in progress. The printer is waiting to begin roller cleaning. →Press the STOP button to begin.
RIBBON/ PAPER ¹⁾ (orange)	On	One of the following causes. <ul style="list-style-type: none"> A paper roll has not been loaded. →Load a paper roll (page 10). An ink ribbon has not been loaded. →Load an ink ribbon (page 9). The ink ribbon has been used up. →Load a new ink ribbon and paper roll (page 12). A ribbon error has occurred. →Check that an ink ribbon has been loaded properly. The paper roll is the wrong size. →Set the paper holder selector properly (page 9).
ALARM ¹⁾ (orange)	On	One of the following causes. <ul style="list-style-type: none"> The media tray is not closed. →Close the media tray properly. A paper jam has occurred in the printer. →Remove the jammed paper (page 23). The paper outlet is full of printouts. →Remove the printouts that are blocking the paper outlet. The paper cover is not attached. →Insert the paper cover fully and attach it securely.
RIBBON/ PAPER, ALARM ¹⁾	On	One of the following causes. <ul style="list-style-type: none"> The paper roll has run out. →Load a new ink ribbon and paper roll (page 12). A paper feed error has occurred. →Check the ink ribbon and paper roll. A paper eject error has occurred. →Check the ink ribbon and paper roll.
PRINT (green)	On	Printing is in progress.
	Flashing	Image data is being received.
	Flashing slowly	The printer is waiting until the thermal head reaches a temperature at which printing is possible. Once that temperature is reached, the PRINT indicator will light.

Indicator	Status	Possible causes and remedies
All of CLEANING, RIBBON/ PAPER, ALARM, and PRINT	On	<ul style="list-style-type: none"> The printer is initializing. →After pressing the ON/ STANDBY switch to turn on the printer, this indicator remains lit while the printer is initializing. Wait until initialization is complete. The media tray was opened during printing. →Press the ON/ STANDBY switch to enter the standby state, press the ON/ STANDBY switch again to turn on the power, and then check the ink ribbon and paper roll. A serious failure has occurred. →Press the ON/ STANDBY switch to enter the standby state, and then press the ON/ STANDBY switch again to turn on the power. If the printer is still unable to recover from the failure, press the ON/ STANDBY switch to enter the standby state and then disconnect the power cord and contact your dealer.
CLEANING/ ALARM	On	One of the following causes. <ul style="list-style-type: none"> The receptacle for scraps that are cut off during printing is full. →Empty the scrap receptacle (page 14). A ribbon error occurred while cleaning was in progress. →Check that the cleaning ribbon has been loaded properly. A paper jam occurred inside the printer while cleaning was in progress. →Remove the jammed paper (page 23). The paper roll ran out while cleaning was in progress. →Load a new paper roll. A feed error occurred while cleaning was in progress. →Check the cleaning ribbon and paper roll. An eject error occurred while cleaning was in progress. →Check the cleaning ribbon and paper roll.

¹⁾ During continuous printing, the PRINT indicator lights at the same time if there are still images remaining.

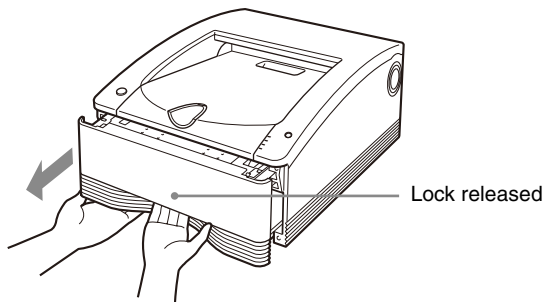
If a Paper Jam Occurs

While the printer is printing, if the ALARM indicator lights and any of the following messages appears on the computer monitor, it is possible that a paper jam has occurred in the printer:


“A paper jam has occurred. Remove the jammed paper.”
“A paper jam has occurred. Printing has stopped. Remove the jammed paper and then resume printing.”
“There is a problem with a motor or a sensor. Printing has stopped. Turn the printer off and then back on again, and then resume printing.”

If a paper jam has occurred, follow the procedure described below to check the status of the paper roll.

- 1 Make sure that the printer is not performing an operation, and then pull out the media tray.



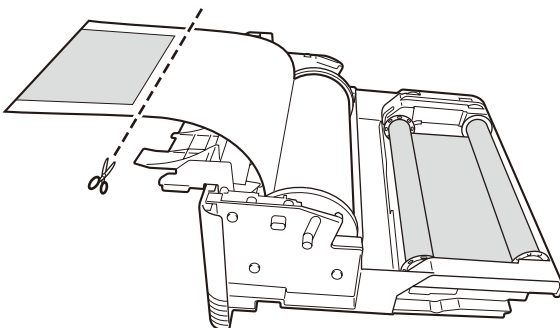
Note

If the media tray does not pull out, do not force it out. Press the  ON/STANDBY switch to enter the standby state, and then press the switch again to turn the printer ON. Try pulling the media tray again after the printer finishes initializing.

- 2 Open the media tray cover, check whether there is printing on the paper, and cut the paper. Cut the paper as follows.

If there is printing on the paper

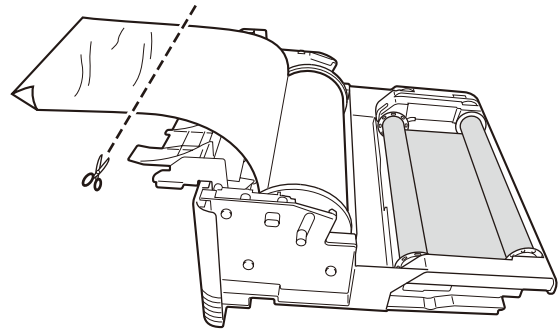
Cut off the printed portion with a pair of scissors.



If there is no printing on the paper

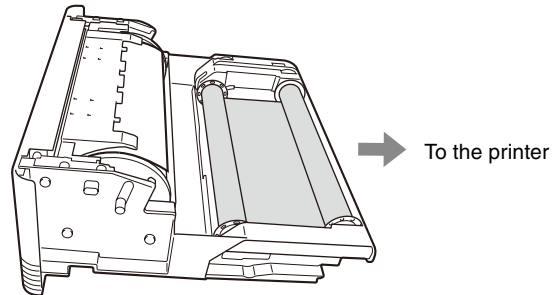
Make sure that the leading edge of the paper is not creased or wrinkled.

If the leading edge is creased or the paper is wrinkled, cut off the leading edge or wrinkled portion with a pair of scissors or the like.



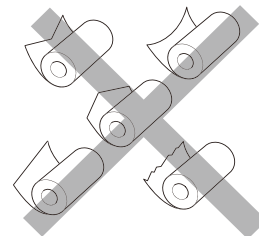
- 3 Tighten any looseness in the paper roll (page 14), and close the media tray cover until it snaps into place.

- 4 Insert the media tray into the printer.



Notes

- When removing the paper roll, be sure to place the media tray on a stable surface before beginning.
- If you drop the media tray while it contains a paper roll, it could cause personal injury. When removing and inserting the media tray, be sure to use both hands, with one hand holding the handle and the other hand supporting the media tray from the bottom.
- When cutting the paper roll, be sure to cut so that the leading edge of the paper is straight. Loading the paper into the printer with the leading edge cut as follows may result in damage to the printer.



Free Manuals Download Website

<http://myh66.com>

<http://usermanuals.us>

<http://www.somanuals.com>

<http://www.4manuals.cc>

<http://www.manual-lib.com>

<http://www.404manual.com>

<http://www.luxmanual.com>

<http://aubethermostatmanual.com>

Golf course search by state

<http://golfingnear.com>

Email search by domain

<http://emailbydomain.com>

Auto manuals search

<http://auto.somanuals.com>

TV manuals search

<http://tv.somanuals.com>