

**SONY**<sup>®</sup>

3-858-169-32 (1)

# ***CD Radio Cassette-Corder***

---

Operating Instructions page 2<sup>EN</sup>

**EN**

Bedienungsanleitung Seite 2<sup>D</sup>

**D**

***CFD-222L  
CFD-DW222  
CFD-DW222L***

©1996 by Sony Corporation



CFD-222L/DW222.E.G.\_3-858-169-3X.CED.CEK.EE1.E23.EA1.JEC

---

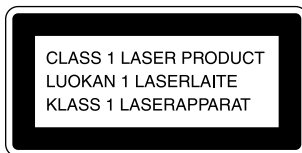
## Warning

**To prevent fire or shock hazard, do not expose the player to rain or moisture.**

**To avoid electrical shock, do not open the cabinet. Refer servicing to qualified personnel only.**

## Information

**For customers in Europe**



This Compact Disc player is classified as a CLASS 1 LASER product.

The CLASS 1 LASER PRODUCT label is located on the rear exterior.

## Warning

Do not install the appliance in a confined space, such as a bookcase or built-in cabinet.

The FUNCTION selector is located on the top exterior.

When you turn on the player, the OPR/BATT indicator lights up.

## Notice for customers in the United Kingdom

A moulded plug complying with BS 1363 is fitted to this equipment for your safety and convenience.

Should the fuse in the plug supplied need to be replaced, same rating fuse approved by ASTA or BSI to BS 1362, (i.e. marked with ⚡ or ⚡ mark) must be used.

If the plug supplied with this equipment has a detachable fuse cover, be sure to attach the fuse cover after you change the fuse. Never use the plug without the fuse cover. If you should lose the fuse cover, please contact your nearest Sony service station.

---

# Table of contents

---

## Basic Operations

- 4 Playing a CD
  - 6 Listening to the radio
  - 8 Playing a tape
  - 10 Recording on a tape
- 

## The CD Player

- 12 Using the display
- 13 Locating a specific point in a track
- 14 Playing tracks repeatedly (Repeat Play)
- 15 Creating your own program (Program Play)

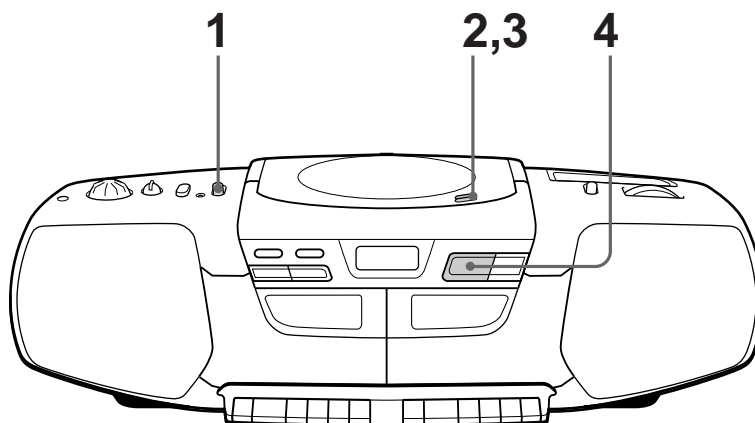
## Setting Up

- 16 Choosing the power sources
- 17 Adjusting the sound emphasis (TONE/MEGA BASS)

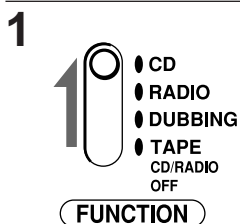
## Additional Information

- 18 Precautions
- 20 Troubleshooting
- 22 Maintenance
- 23 Specifications
- 24 Index

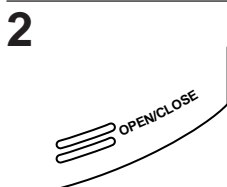
## Playing a CD



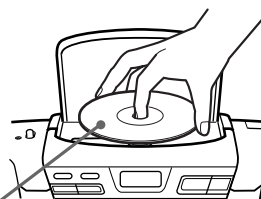
Connect the supplied AC power cord (see page 16).



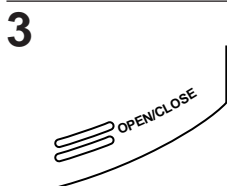
1 Set FUNCTION to CD.



2 Press OPEN/CLOSE down to open the CD compartment and place the CD on the CD compartment.



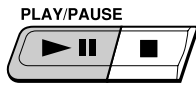
With the label side up



3 Close the CD compartment.



4



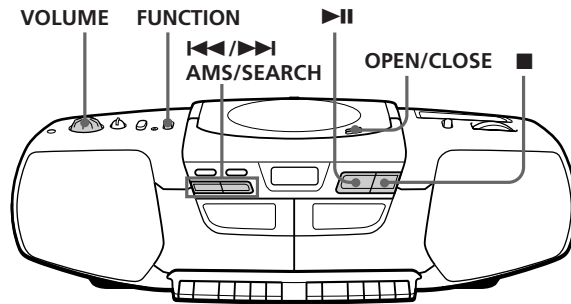
Press **▶||**.  
The player plays all the tracks once.

Display



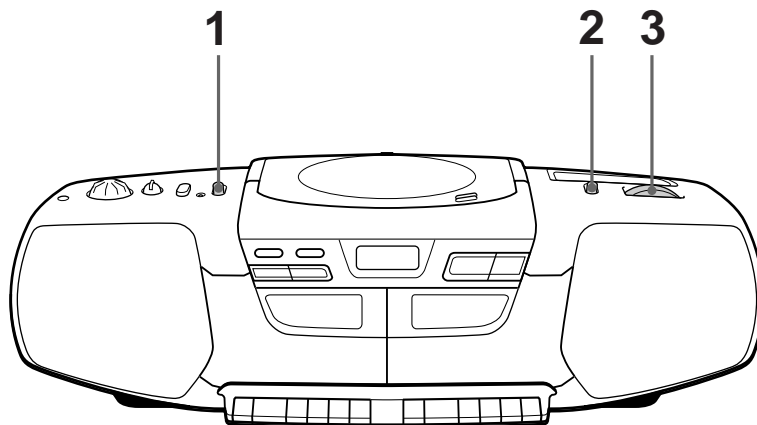
Track number    Playing time

**Use these buttons for additional operations**



To	Do this
Adjust the volume	Turn VOLUME.
Stop playback	Press ■.
Pause playback	Press ▶  . Press again to resume play after pause.
Go to the next track	Press ▶▶ AMS/SEARCH.
Go back to the previous track	Press ◀◀ AMS/SEARCH.
Remove the CD	Press OPEN/CLOSE.
Turn off the player	Set FUNCTION to TAPE (CD/RADIO OFF).

## Listening to the radio



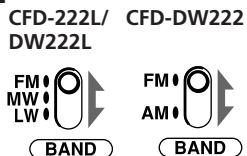
Connect the supplied AC power cord (see page 16).

**1**



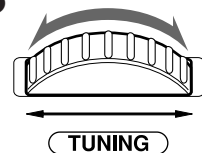
Set FUNCTION to RADIO.

**2**



Set BAND to the band you want.

**3**

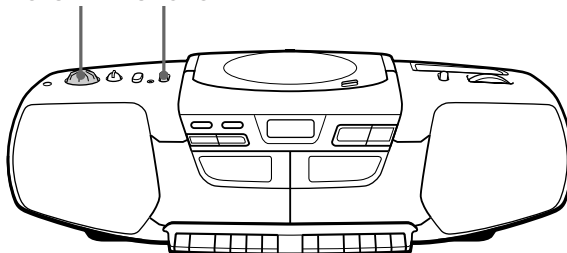


Turn TUNING to tune in a radio station.

If the received FM stereo is too weak, the reception becomes monaural.

**Use these buttons for additional operations**

VOLUME FUNCTION



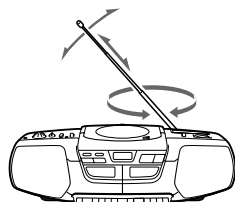
To	Do this
Adjust the volume	Turn VOLUME.
Turn off the radio	Set FUNCTION to TAPE (CD/RADIO OFF).

**Tip**

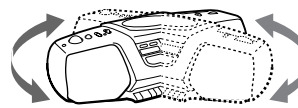
*CFD-222L/DW222L only:*  
 To receive an FM stereo program  
 Set the FM MODE/ISS switch at the rear to STEREO. If the FM broadcast is noisy, set the switch to MONO. The radio will play in monaural.

**To improve broadcast reception**

Reorient the antenna for FM. Reorient the player itself for MW/LW (CFD-222L/DW222L) or AM (CFD-DW222) .

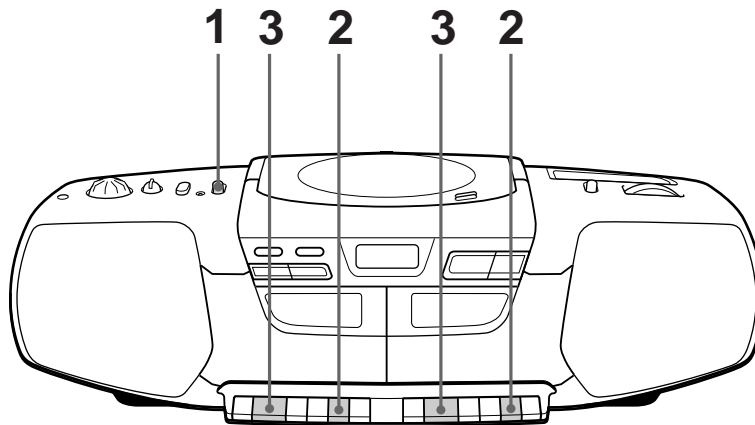


For FM



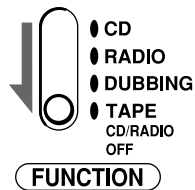
For AM (MW)/LW

## Playing a tape



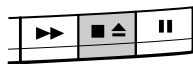
Connect the supplied AC power cord (see page 16).


1



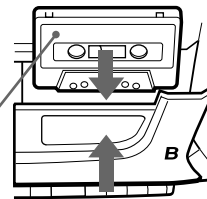
Set FUNCTION to TAPE(CD/RADIO OFF).

2




Press  to open the tape compartment on deck A or deck B and insert a recorded tape. Use TYPE I (normal) tape only. Close the compartment.

With the side you want to play facing forward



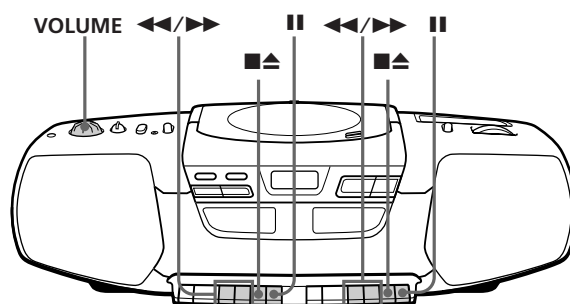
3



Press .



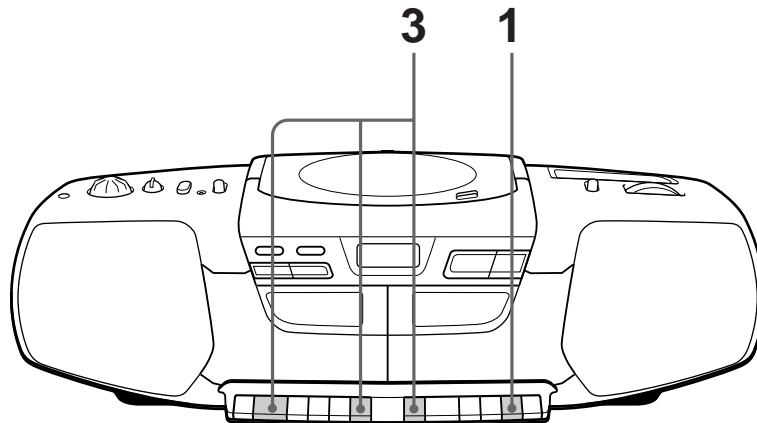
Use these buttons for additional operations



**Note**  
 During playback, do not press buttons on the other deck. Otherwise the playback speed may change.

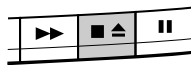
To	Do this
Adjust the volume	Turn VOLUME.
Stop playback	Press ■▲
Fast-forward or rewind the tape	Press ►► or ◀◀
Pause playback	Press   . Press the button again to resume play after pause.
Eject the cassette	Press ■▲.

## Recording on a tape



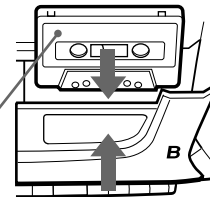
Connect the supplied AC power cord (see page 16).

1



Press to open the tape compartment on deck B and insert a blank tape. Use TYPE I (normal) tape only.

With the side you want to record on facing forward



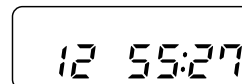
2



Select the program source you want to record.

To record from the CD player, set FUNCTION to CD and insert a CD (see page 4).

Display



To record from the radio, set FUNCTION to RADIO, select the band, and tune in the station you want (see page 6).



To record from the tape, insert a recorded tape into deck A (see page 8) and set FUNCTION to DUBBING.

### 3

#### Deck B



#### Deck A



#### Deck B



Start recording.

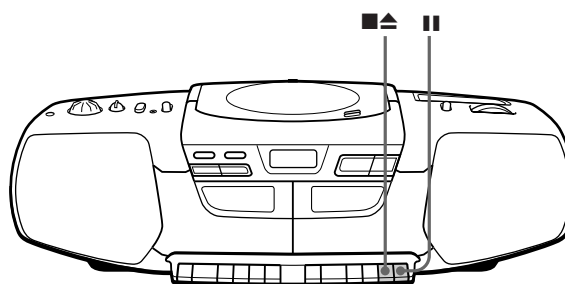
To record from the CD player or the radio, press ● on deck B (▶ is depressed automatically.)

To record from the tape, press ■▲ and ▶ on deck A. (For high speed dubbing, press HIGH SPEED DUBBING instead.) Then press ● on deck B (▶ is depressed automatically).

#### Tips

- Adjusting the volume or the audio emphasis (see page 17) will not affect the recording level.
- For the best results, use the AC power as a power source for recording.
- If the AM (MW)/LW program makes a whistling sound after you've pressed ● in step 3, set the FM MODE/ISS (Interference Suppress Switch) (CFD-222L/DW222L) or ISS (CFD-DW222) at the rear to the position that most decreases the noise.
- To erase a recording, proceed as follows:
  - 1 Insert the tape whose recording you want to erase into the tape compartment on deck B.
  - 2 Set FUNCTION to TAPE (CD/RADIO OFF).
  - 3 Press ● on deck B.

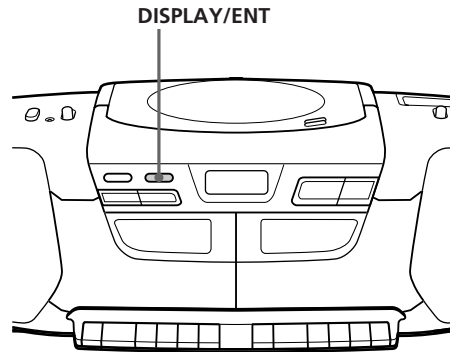
#### Use these buttons for additional operations



To	Press
Stop recording	■▲ on deck B
Pause recording	on deck B Press the button again to resume recording.

## Using the display

You can check information about the CD using the display.



### Checking the total track numbers and playing time

Press DISPLAY/ENT in stop mode.



### Checking the remaining time

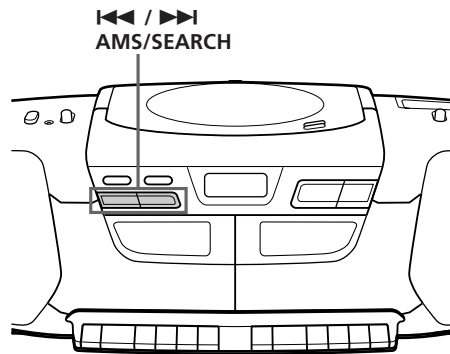
Press DISPLAY/ENT while playing a CD.

To display	Press DISPLAY/ENT
Remaining time on the current track*	Once
Remaining time on the CD and the number of tracks left	Twice
Playing time and the current track number	Three times

\* For a track whose number is more than 20, the remaining time appears as "--:--" in the display.

## Locating a specific point in a track

You can locate a specific point in a track while playing a CD using ►► or ◀◀ AMS/SEARCH.



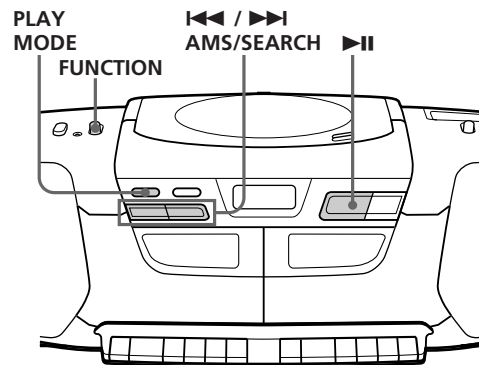
The CD Player

To locate	Press
a point while listening to the sound	►► (forward) or ◀◀ (backward) AMS/SEARCH while playing and hold down until you find the point.
a point while observing the display	►► (forward) or ◀◀ (backward) AMS/SEARCH in pause and hold down until you find the point.

## Playing tracks repeatedly

### (Repeat Play)

You can play tracks repeatedly in normal, shuffle or program play modes (see page 15).



- 1 Set FUNCTION to CD.
- 2 Press PLAY MODE until the repeat mode you want appears in the display.

To repeat	Select
a single track	REP 1
all tracks	REP ALL
tracks in random order	SHUF REP
programed tracks	PGM REP

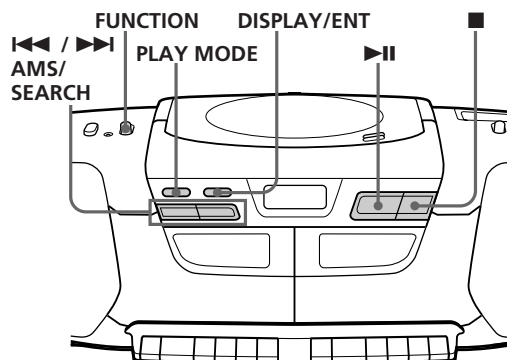
- 3 Do either of the following to start repeat play:
  - **When you've selected REP1**, select the track by pressing ►► or ◀◀ AMS/SEARCH and press ►►.
  - **When you've selected REP ALL and SHUF REP**, press ►►.
  - **When you've selected PGM REP**, program tracks (see step 3 on page 15), then press ►►.

#### To cancel Repeat Play

Press PLAY MODE until "REP" disappears in the display.

## Creating your own program (Program Play)

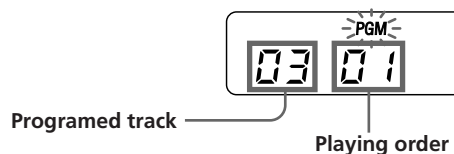
You can arrange the playing order of the tracks on a CD.



### Tips

- You can play the same program again, since the program is saved until you open the CD compartment or switch FUNCTION.
- The current program will be erased if you switch FUNCTION or open the CD compartment.
- You can record your own program. After you've created the program, insert a blank tape into deck B and press ● on deck B to start recording.

- 1 Set FUNCTION to CD.
- 2 Press PLAY MODE until "PGM" appears in the display.
- 3 Press ►► or ◀◀ AMS/SEARCH then press DISPLAY/ENT for the tracks you want to program in the order you want. You can program up to 20 tracks.



- 4 Press ►► to start program play.

### To cancel Program Play

Press PLAY MODE until "PGM" disappears in the display.

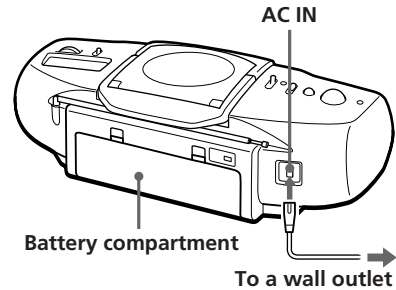
### To change the current program

Press ■ once if the CD is stopped and twice if the CD is playing. The current program will be erased. Then create a new program following the programming procedure.

## Choosing the power sources

You can use the AC power or batteries as a power source.

Use the AC power source whenever you record since recording consumes much power.



**Tip**

**Only for the customers supplied with an AC plug adaptor:**

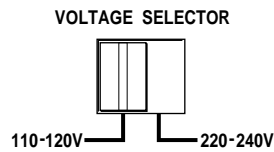
Use the supplied AC plug adaptor if the plug of the AC power cord does not match your outlet.

### Connecting the AC power cord

Insert one end of the supplied AC power cord to the AC IN socket located at the rear of the player, and the other end to the wall outlet.

### Adjusting the voltage (CFD-DW222 only)

Be sure to set the VOLTAGE SELECTOR (at the bottom) to your local power supply.



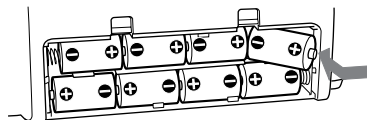
**Tip**

Replace the batteries when the OPR/BATT indicator dims or when the player stops operating. Replace all the batteries with new ones. Before you replace the batteries, be sure to take out the CD from the player.

### Using the player on batteries

Insert eight R20 (size D) batteries (not supplied) into the battery compartment.

To use the player on batteries, disconnect the AC power cord from the player.

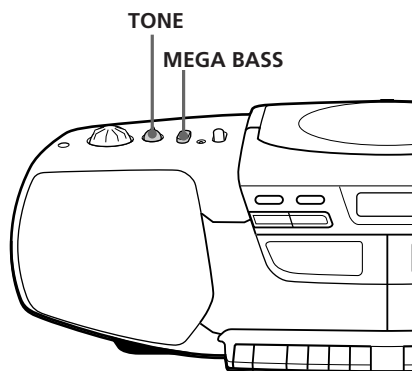




---

## Adjusting the sound emphasis (TONE/MEGA BASS)

You can adjust the tone and reinforce the bass sound.



Setting Up

### Adjusting the tone

Turn TONE.

Turn the control clockwise to enhance the high tone and counterclockwise to enhance the low tone.

### Reinforcing the bass sound

Press MEGA BASS.

To return to normal sound, press the button again.

## Precautions

### On safety

- As the laser beam used in the CD player section is harmful to the eyes, do not attempt to disassemble the casing. Refer servicing to qualified personnel only.
- Should any solid object or liquid fall into the player, unplug the player, and have it checked by qualified personnel before operating it any further.

### On power sources

- For AC operation, check that the player's operating voltage is identical with your local power supply (see "Specifications") and use the supplied AC power cord; do not use any other type. The voltage selector is located at the bottom of the player (CFD-DW222 only).
- The player is not disconnected from the AC power source (mains) as long as it is connected to the wall outlet, even if the player itself has been turned off.
- For battery operation, use eight R20 (size D) batteries.
- When the batteries are not to be used, remove them to avoid damage that can be caused by battery leakage or corrosion.
- The nameplate indicating operating voltage, power consumption, etc. is located at the bottom.

### On placement

- Do not leave the player in a location near heat sources, or in a place subject to direct sunlight, excessive dust or mechanical shock.
- Do not place the player on an inclined or unstable place.
- Do not place anything within 10 mm of the side of the cabinet. The ventilation holes must be unobstructed for the player to operate properly and prolong the life of its components.
- If the player is left in a car parked in the sun, be sure to choose a location in the car where the player will not be subjected to the direct rays of the sun.
- Since a strong magnet is used for the speakers, keep personal credit cards using magnetic coding or spring-wound watches away from the player to prevent possible damage from the magnet.

### On operation

- If the player is brought directly from a cold to a warm location, or is placed in a very damp room, moisture may condense on the lenses inside the CD player section. Should this occur, the player will not operate properly. In this case, remove the CD and wait about an hour for the moisture to evaporate.
- If the player has not been used for a long time, set it in the playback mode to warm it up for a few minutes before inserting a cassette.

If you have any questions or problems concerning your player, please consult your nearest Sony dealer.

---

### Notes on CDs

- Before playing, clean the CD with a cleaning cloth. Wipe the CD from the center out.

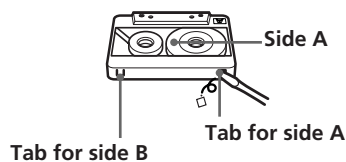


- Do not use solvents such as benzine, thinner, commercially available cleaners or anti-static spray intended for vinyl LPs.
- Do not expose the CD to direct sunlight or heat sources such as hot air ducts, nor leave it in a car parked in direct sunlight as there can be a considerable rise in temperature inside the car.
- Do not stick paper or sticker on the CD, nor scratch the surface of the CD.
- After playing, store the CD in its case.

If there is a scratch, dirt or fingerprints on the CD, it may cause tracking error.

### Notes on cassettes

- Break off the cassette tab from side A or B to prevent accidental recording. If you want to reuse the tape for recording, cover the broken tab with adhesive tape.



- To record on a tape with its tab broken off, cover the respective tab hole for side A or B with adhesive tape.
- The use of a cassette with more than 90 minutes of play time is not recommended except for long, continuous recording or playback.

# Troubleshooting

	Symptom	Remedy
General	The power does not come on.	<ul style="list-style-type: none"> <li>• Connect the AC power cord securely.</li> <li>• Make sure the batteries are inserted correctly.</li> <li>• Replace all the batteries with new ones if they are weak.</li> </ul>
	There is no audio.	<ul style="list-style-type: none"> <li>• Make sure the FUNCTION selector is set to the function you want to operate.</li> <li>• Adjust the volume.</li> <li>• Unplug the headphones when listening through speakers.</li> </ul>
Radio	The audio is weak or has poor quality.	<ul style="list-style-type: none"> <li>• Replace all the batteries with new ones if they are weak.</li> <li>• Move the player away from the TV.</li> </ul>
	The picture of your TV becomes unstable.	<ul style="list-style-type: none"> <li>• If you are listening to an FM program near the TV with an indoor antenna, move the player away from the TV.</li> </ul>
CD Player	The CD does not play / "00 -- --" lights in the display even when a CD is in place.	<ul style="list-style-type: none"> <li>• Make sure that the disc compartment is closed.</li> <li>• Place the CD with the label surface up.</li> <li>• Clean the CD.</li> <li>• Take out the CD and leave the disc compartment open for about an hour to dry moisture condensation.</li> <li>• Make sure the FUNCTION selector is set to CD.</li> </ul>
	The sound drops out.	<ul style="list-style-type: none"> <li>• Reduce the volume.</li> <li>• Clean the CD, or replace it if the CD is badly damaged</li> <li>• Place the player in a location free from vibration.</li> </ul>
Tape Player	The tape does not move when you press an operation button.	<ul style="list-style-type: none"> <li>• Close the cassette compartment securely.</li> </ul>
	The REC ● button does not function/The tape does not play.	<ul style="list-style-type: none"> <li>• Make sure the safety tab on the cassette is in place.</li> </ul>
	The tape does not erase completely.	<ul style="list-style-type: none"> <li>• Clean the erasing heads (see page 22.)</li> <li>• Replace all the batteries with new ones if they are weak.</li> </ul>

	Symptom	Remedy
<b>Tape Player</b>	The tape does not record.	<ul style="list-style-type: none"> <li>• Make sure the tape is inserted properly.</li> <li>• Make sure the safety tab of the cassette is in place.</li> </ul>
	The audio is weak/The audio quality is poor.	<ul style="list-style-type: none"> <li>• Clean the heads, pinch roller and capstan (See page 22).</li> <li>• Demagnetize the heads using a demagnetizer (see page 22).</li> </ul>
	The sound is distorted.	<ul style="list-style-type: none"> <li>• The TYPE II (high position) or TYPE IV (metal) tape is being used. Use TYPE I (normal) tape only.</li> </ul>

After trying the above remedies, if you still have problems, unplug the AC power cord and remove all the batteries. After all the indications in the display disappear, plug the power cord and insert the batteries again. If the problem persists, please consult your nearest Sony dealer.

---

## Maintenance

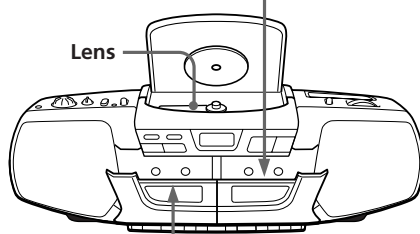
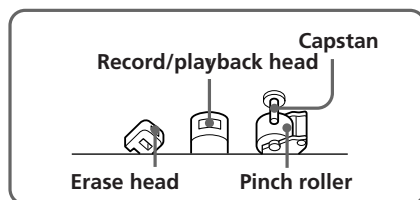
### Cleaning the lens

If the lens becomes dirty, it may cause a skipping of sound during CD operation. Clean with a commercially available blower.

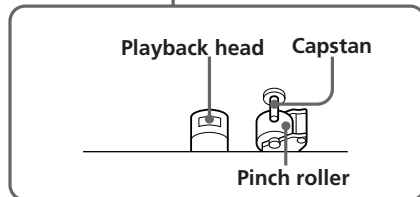
### Cleaning the tape heads and tape path

Wipe the heads, the pinch roller and the capstan with a cleaning swab slightly moistened with cleaning fluid or alcohol after every 10 hours of operation for optimum playback and recording quality. To make the best possible recording, however, we recommend that you clean all surfaces over which tape travels before each recording.

#### Deck B



#### Deck A



After cleaning, insert a tape when the areas cleaned are completely dry.

### Demagnetizing the tape heads

After 20 to 30 hours of use, enough residual magnetism will have built up on the tape heads to begin to cause loss of high frequency sound and hiss. At this time, you should demagnetize the heads and all metal parts in the tape path with a commercially available tape head demagnetizer.

### Cleaning the cabinet

Clean the cabinet, panel and controls with a soft cloth slightly moistened with a mild detergent solution. Do not use any type of abrasive pad, scouring powder, or solvent, such as alcohol or benzine.

# Specifications

## CD player section

- System  
Compact disc digital audio system
- Laser diode properties  
Material: GaAlAs  
Wave length: 780 nm  
Emission duration: Continuous  
Laser output: Less than 44.6  $\mu$ W  
(This output is the value measured at a distance of about 200 mm from the objective lens surface on the optical pick-up block with 7 mm aperture.)
- Spindle speed  
200 r/min (rpm) to 500 r/min (rpm) (CLV)
- Number of channels  
2
- Frequency response  
20 - 20,000 Hz  $\pm$ 1/-2 dB
- Wow and flutter  
Below measurable limit

## Radio section

Frequency range

CFD-222L/DW222L		
FM	Italy	87.5 - 108 MHz
	Central and eastern Europe	65 - 108 MHz
	Other countries	87.6 - 107 MHz
MW	Italy	526.5 - 1606.5 kHz
	Other countries	531 - 1,602 kHz
LW	Italy	148.5 - 283.5 kHz
	Other countries	153 - 279 kHz

CFD-DW222		
FM	Saudi Arabia	87.6 - 107 MHz
	Tourist model	76 - 108 MHz
	Other countries	87.6 - 108 MHz
AM	Tourist model	530 - 1,629 kHz
	Other countries	530 - 1,605 kHz

- IF  
FM: 10.7 MHz  
AM (MW)/LW: 455 kHz
- Aerials  
FM: Telescopic aerial  
AM (MW)/LW: Built-in ferrite bar aerial

## Cassette-corder section

- Recording system  
4-track 2 channel stereo
- Fast winding time  
Approx. 140 s (sec.) with Sony cassette C-60
- Frequency response  
TYPE I (normal): 70 - 10,000 Hz

## General

- Speaker  
Full range: 10 cm dia., 4 ohms, cone type (2)
- Outputs  
Headphones jack (stereo minijack)  
For 16 - 68 ohms impedance headphones
- Maximum power output  
4.5 W + 4.5 W
- Power requirements

### CFD-222L/DW222L

United Kingdom	230 - 240 V AC, 50 Hz
Other countries	220 - 230 V AC, 50 Hz

### CFD-DW222

110 - 120 V, 220 - 240 V AC selectable	50/60 Hz
--	----------

- 12 V DC, 8 R20 (size D) batteries
- Power consumption  
AC 26 W
- Battery life  
For CD radio cassette-corder:

### FM recording

Sony R20P: approx. 13.5 h

Sony alkaline LR20: approx. 19 h

### Tape playback

Sony R20P: approx. 7.5 h

Sony alkaline LR20: approx. 12 h

### CD playback

Sony R20P: approx. 2.5 h

Sony alkaline LR20: approx. 4.5 h

- Dimensions  
Approx. 580  $\times$  164  $\times$  250 mm (w/h/d)  
(22  $\frac{7}{8}$   $\times$  6  $\frac{1}{2}$   $\times$  9  $\frac{7}{8}$  inches) (incl. projecting parts)

- Mass  
Approx. 5 kg (11 lb.) (incl. batteries)

- Supplied accessory  
AC power cord (1)

Design and specifications are subject to change without notice.

## Optional accessories

- Sony MDR headphone series

---

# Index

## A

Adjusting  
  sound emphasis 17  
  tone 17

## B

Batteries for player 16

## C

CD player 12  
Choosing power sources 16  
Cleaning  
  cabinet 22  
  tape heads and tape path  
  22  
Creating your own  
  program 15

## D, E, F, G, H

Demagnetizing the tape  
  heads 22  
Display 12

## I, J, K

Improving broadcast  
  reception 7

## L

Listening to the radio 6  
Locating a specific point in a  
  track 13

## M, N, O

MEGA BASS 17

## P, Q

Playing  
  a CD 4  
  a tape 8  
  tracks repeatedly 14  
Power sources 16  
Program Play 15

## R

Recording on a tape 10  
Repeat Play 14

## S

Selecting tracks 5  
Setting up 16  
Sound emphasis 17

## T

Troubleshooting 20  
TONE 17

## U

Using the display 12

## V, W, X, Y, Z

Voltage selector 16



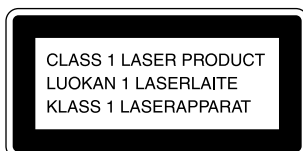
---

## **VORSICHT**

**Um Feuergefahr und die Gefahr eines elektrischen Schlages zu vermeiden, darf das Gerät weder Regen noch Feuchtigkeit ausgesetzt werden.**

**Um einen elektrischen Schlag zu vermeiden, darf das Gehäuse nicht geöffnet werden. Überlassen Sie Wartungsarbeiten stets nur einem Fachmann.**

### **Hinweis für Europa-Modell**



Bei diesem CD-Spieler handelt es sich um ein Laser-Produkt der Klasse 1. Ein Aufkleber mit der Aufschrift CLASS 1 LASER PRODUCT befindet sich an der Geräterückseite.

## **VORSICHT**

Stellen Sie das Gerät nicht an einem Ort auf, an dem ausreichende Luftzufuhr nicht gegeben ist, zum Beispiel in einem engen Regalfach oder in einem Einbauschränk.

Der Wählschalter FUNCTION befindet sich außen an der Oberseite.

Wenn Sie den Player einschalten, leuchtet die Anzeige OPR/BATT auf.

2<sup>D</sup> | Einführung

CFD-222L/DW222.E.G.\_3-858-169-3X.CED.CEK.EE1.E23.EA1.JEC

---

# Inhalt

---

## Grundfunktionen

- 4 Wiedergeben einer CD
  - 6 Radioempfang
  - 8 Wiedergeben einer Kassette
  - 10 Bespielen einer Kassette
- 

## Der CD-Player

- 12 Das Display
- 13 Wiedergeben einer bestimmten Passage in einem Titel
- 14 Wiederholtes Wiedergeben von Titeln (Repeat Play)
- 15 Erstellen eines eigenen Programms (Program Play)

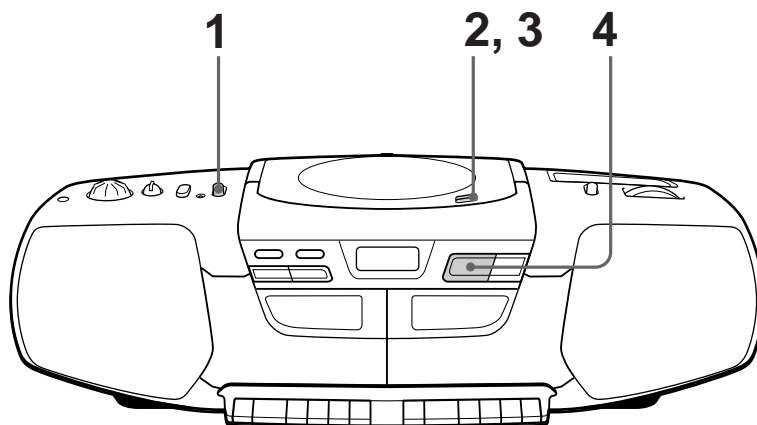
## Vorbereitungen

- 16 Auswählen der Stromquellen
- 17 Einstellen der Klangbetonung (TONE/MEGA BASS)

## Zusätzliche Informationen

- 18 Sicherheitsmaßnahmen
  - 20 Störungsbehebung
  - 22 Wartung
  - 23 Technische Daten
- Rückwärtige Umschlagseite  
Index

## Wiedergeben einer CD



Schließen Sie das mitgelieferte Netzkabel an (siehe Seite 16).

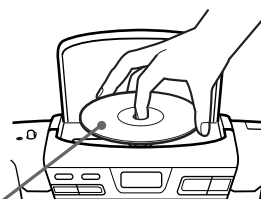
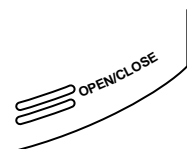
**1**

Stellen Sie FUNCTION auf CD.



**2**

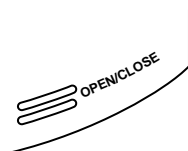
Drücken Sie OPEN/CLOSE nach unten. Das CD-Fach öffnet sich. Legen Sie die CD in das CD-Fach ein.



Mit der beschrifteten Seite nach oben

**3**

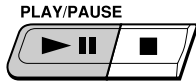
Schließen Sie das CD-Fach.



4<sup>D</sup> Grundfunktionen

CFD-222L/DW222.E.G.\_3-858-169-3X.CED.CEK.EE1.E23.EA1.JEC

4



Drücken Sie ►||.

Alle Titel werden einmal wiedergegeben.

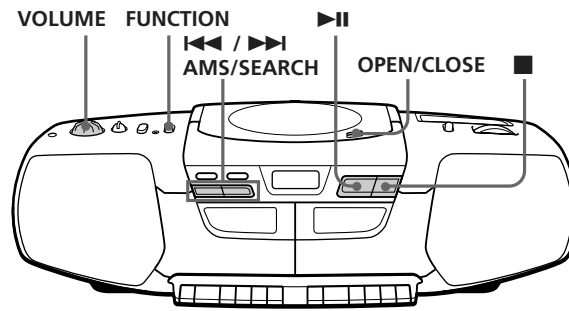
Display



Titelnummer Spieldauer

Grundfunktionen

Folgende Tasten stehen für weitere Funktionen zur Verfügung:

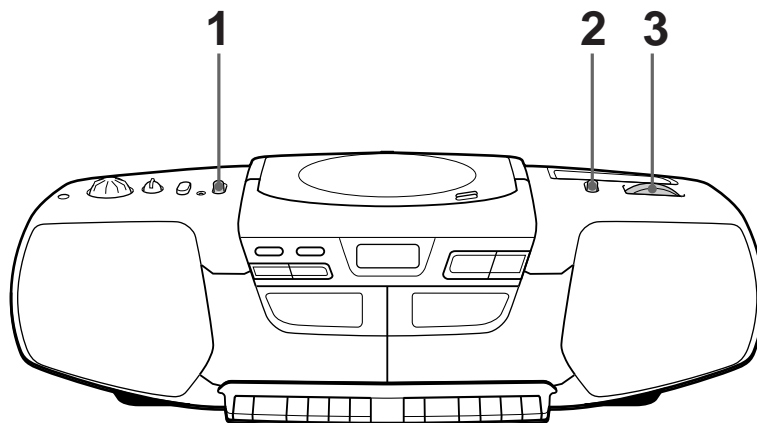


Um	Gehen Sie folgendermaßen vor
die Lautstärke einzustellen	Drehen Sie VOLUME.
die Wiedergabe zu beenden (Stopmodus)	Drücken Sie ■.
die Wiedergabe zu unterbrechen (Pausemodus)	Drücken Sie ►  . Drücken Sie die Taste erneut, um die Wiedergabe nach einer Pause wiederaufzunehmen.
zum nächsten Titel zu wechseln	Drücken Sie ►► AMS/SEARCH.
zum vorherigen Titel zu wechseln	Drücken Sie ◀◀ AMS/SEARCH.
die CD zu entnehmen	Drücken Sie OPEN/CLOSE.
den Player auszuschalten	Stellen Sie FUNCTION auf TAPE (CD/RADIO OFF).

Grundfunktionen | 5<sup>p</sup>

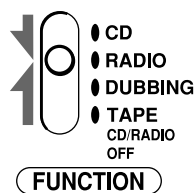
CFD-222L/DW222.E.G.\_3-858-169-3X.CED.CEK.EE1.E23.EA1.JEC

## Radioempfang



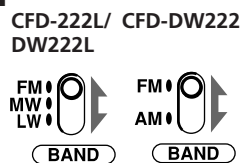
Schließen Sie das mitgelieferte Netzkabel an (siehe Seite 16).

1



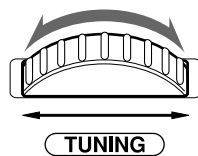
Stellen Sie FUNCTION auf RADIO.

2



Stellen Sie BAND auf den gewünschten Frequenzbereich ein.

3



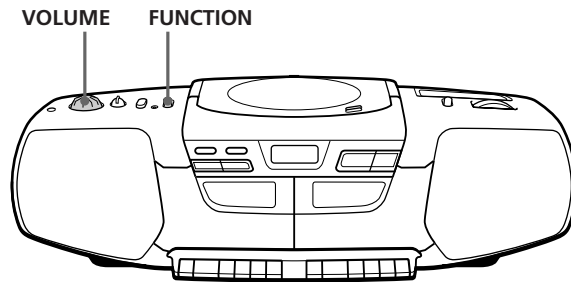
Drehen Sie TUNING, um einen Radiosender einzustellen.

Wenn der UKW-Stereosender zu schwach empfangen wird, wird der Empfang monaural.

6<sup>D</sup> Grundfunktionen

CFD-222L/DW222.E.G.\_3-858-169-3X.CED.CEK.EE1.E23.EA1.JEC

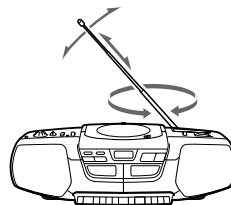
Folgende Tasten stehen für weitere Funktionen zur Verfügung:



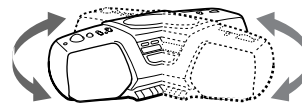
Um	Gehen Sie folgendermaßen vor
die Lautstärke einzustellen	Drehen Sie VOLUME.
das Radio auszuschalten	Stellen Sie FUNCTION auf TAPE (CD/RADIO OFF).

**So verbessern Sie den Radioempfang**

Richten Sie beim UKW-Empfang die Antenne aus. Drehen Sie beim MW-/LW-Empfang (CFD-222L/DW222L) bzw. AM-Empfang (CFD-DW222) das Gerät selbst.



Für UKW

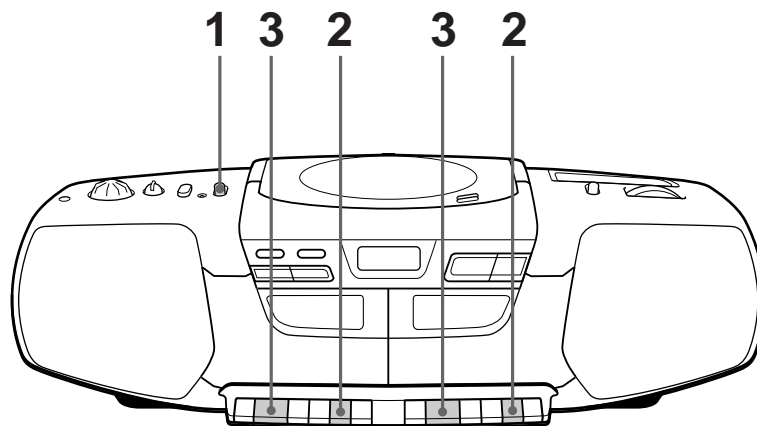


Für AM (MW)/LW

**Tip**

Nur CFD-222L/DW222L:  
So können Sie einen UKW-Stereosender empfangen  
Stellen Sie den Schalter FM MODE/ISS an der Rückseite auf STEREO.  
Sind beim UKW-Empfang Störgeräusche zu hören, stellen Sie den Wählschalter auf MONO, und der Empfang ist monaural.

## Wiedergeben einer Kassette



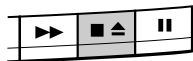
Schließen Sie das mitgelieferte Netzkabel an (siehe Seite 16).


1



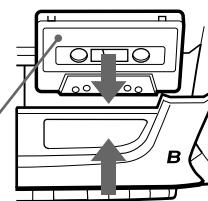
Stellen Sie FUNCTION auf TAPE (CD/RADIO OFF).

2



Drücken Sie , um das Kassettenfach an Deck A oder Deck B zu öffnen, und legen Sie eine bespielte Kassette ein. Verwenden Sie ausschließlich Kassetten des Typs TYPE I (normal). Schließen Sie das Fach.

Mit der wiederzugebenden Seite nach vorne



3

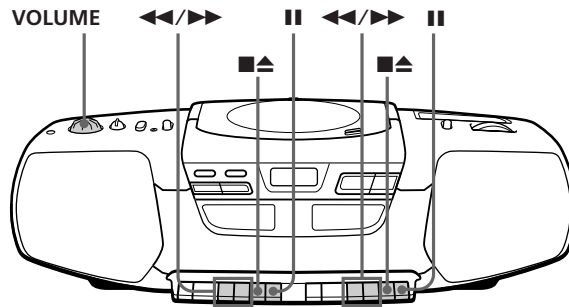


Drücken Sie .

8<sup>D</sup> Grundfunktionen

CFD-222L/DW222.E.G.\_3-858-169-3X.CED.CEK.EE1.E23.EA1.JEC

Folgende Tasten stehen für weitere Funktionen zur Verfügung:



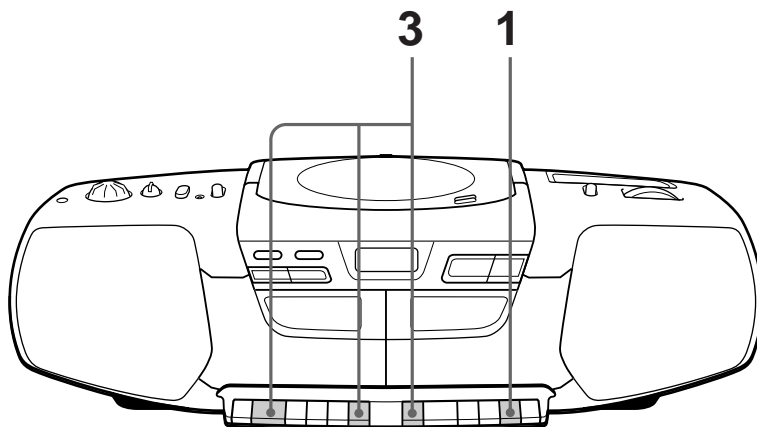
**Hinweis**

Drücken Sie während der Wiedergabe keine Taste am anderen Deck. Andernfalls kann sich die Wiedergabegeschwindigkeit ändern.

Um	Gehen Sie folgendermaßen vor
die Lautstärke einzustellen	Drehen Sie VOLUME.
die Wiedergabe zu beenden (Stopmodus)	Drücken Sie ■▲.
das Band vor- oder zurückzuspulen	Drücken Sie ►► oder ◀◀.
die Wiedergabe zu unterbrechen (Pausemodus)	Drücken Sie ■■. Drücken Sie die Taste erneut, um die Wiedergabe nach einer Pause wiederaufzunehmen.
die Kassette auszuwerfen	Drücken Sie ■▲.

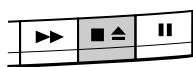


## Bespielen einer Kassette



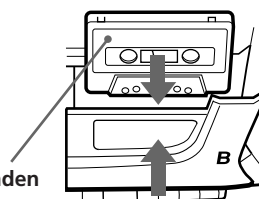
Schließen Sie das mitgelieferte Netzkabel an (siehe Seite 16).

1



Öffnen Sie mit **■▲** das Kassettenfach and Deck B, und legen Sie ein unbespieltes Band ein. Verwenden Sie ausschließlich Kassetten des Typs TYPE I (normal).

Mit der aufzunehmenden Seite nach vorne



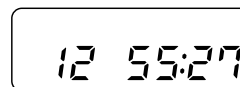
2



Wählen Sie das Gerät, von dem Sie aufnehmen möchten.

Um vom CD-Player aufzunehmen, stellen Sie FUNCTION auf CD und legen eine CD ein (siehe Seite 4).

Display



Um vom Radio aufzunehmen, stellen Sie FUNCTION auf RADIO, wählen den Frequenzbereich und stellen den gewünschten Sender ein (siehe Seite 6).



Um von einer Kassette aufzunehmen, legen Sie eine bespielte Kassette in Deck A ein (siehe Seite 8) und stellen Sie FUNCTION auf DUBBING.

10<sup>D</sup> Grundfunktionen

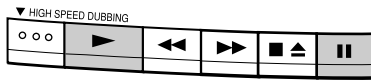
CFD-222L/DW222.E.G.\_3-858-169-3X.CED.CEK.EE1.E23.EA1.JEC

### 3

#### Deck B



#### Deck A



#### Deck B



Starten Sie die Aufnahme.

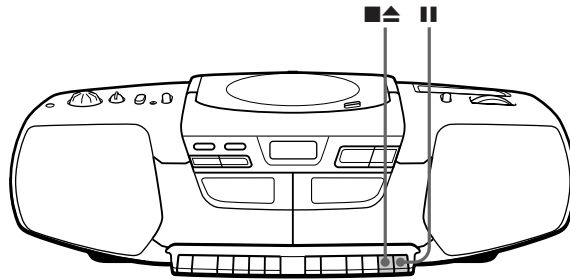
Wenn Sie vom CD-Player oder vom Radio aufnehmen wollen, drücken Sie ● an Deck B. ▶ wird dabei automatisch gedrückt.

Wenn Sie von einer Kassette aufnehmen wollen, drücken Sie || und ▶ an Deck A. Wenn Sie mit hoher Geschwindigkeit überspielen wollen, drücken Sie statt dessen HIGH SPEED DUBBING. Drücken Sie ● an Deck B. ▶ wird dabei automatisch gedrückt.

#### Tips

- Durch Einstellen der Lautstärke oder der Klangbetonung (siehe Seite 17) wird der Aufnahmepegel nicht beeinflusst.
- Die besten Ergebnisse erzielen Sie, wenn Sie das Gerät für die Aufnahme an das Stromnetz anschließen.
- Wenn bei AM (MW)/LW-Sendern ein Pfeifton zu hören ist, nachdem Sie in Schritt 3 die Taste ● gedrückt haben, bringen Sie den FM MODE/ISS-Schalter (Interference Suppress Switch - Interferenzunterdrückungsschalter) (CFD-222L/DW222L) bzw. ISS-Schalter (CFD-DW222) an der Rückseite in die Stellung, in der die Pfeifgeräusche am geringsten sind.

#### Folgende Tasten stehen für weitere Funktionen zur Verfügung:



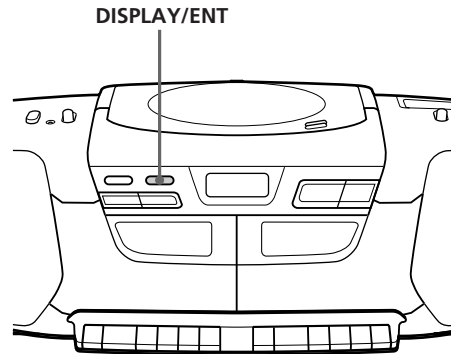
Um	Drücken Sie
die Aufnahme zu beenden (Stopmodus)	■▲ an Deck B
die Aufnahme zu unterbrechen (Pausemodus)	an Deck B Drücken Sie die Taste erneut, um die Aufnahme wiederaufzunehmen.

#### Zum Löschen einer Aufnahme gehen Sie folgendermaßen vor:

- 1 Legen Sie die Kassette, deren Aufnahme gelöscht werden soll, in das Kassettenfach von Deck B ein.
- 2 Stellen Sie FUNCTION auf TAPE (CD/RADIO OFF).
- 3 Drücken Sie ● an Deck B.

## Das Display

Im Display werden Informationen zur jeweils eingelegten CD angezeigt.



### Prüfen der Gesamttitelanzahl und -spieldauer

Drücken Sie im Stopmodus DISPLAY/ENT.



### Prüfen der Restspieldauer

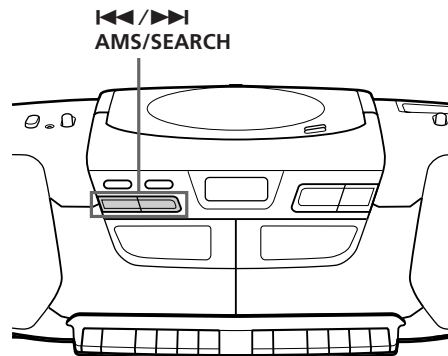
Drücken Sie während der Wiedergabe einer CD DISPLAY/ENT.

Zum Anzeigen	Drücken Sie DISPLAY/ENT
der Restspieldauer des aktuellen Titels*	einmal
der Restspieldauer der CD und der Anzahl der restlichen Titel	zweimal
der Spieldauer und der aktuellen Titelnummer	dreimal

\* Bei einem Titel, dessen Nummer höher als 20 ist, erscheint statt der Restspieldauer die Anzeige "--:--" im Display.

## Wiedergeben einer bestimmten Passage in einem Titel

Mit der Taste **▶▶|** oder **◀◀** AMS/SEARCH können Sie während der Wiedergabe einer CD eine bestimmte Passage in einem Titel ansteuern.



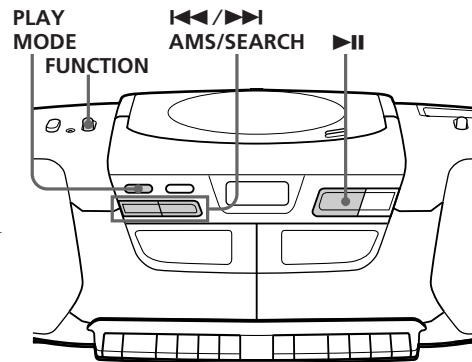
Der CD-Player

Zum Ansteuern	Drücken Sie
einer Passage während der Wiedergabe	<b>▶▶ </b> (vorwärts) oder <b>◀◀</b> (rückwärts) AMS/SEARCH während der Wiedergabe, und halten Sie die Taste gedrückt, bis Sie die Passage gefunden haben.
einer Passage mit Hilfe der Anzeige im Display	<b>▶▶ </b> (vorwärts) oder <b>◀◀</b> (rückwärts) AMS/SEARCH im Pausemodus, und halten Sie die Taste gedrückt, bis Sie die Passage gefunden haben.

## Wiederholtes Wiedergeben von Titeln

### (Repeat Play)

Sie können Titel im normalen Modus, im Shuffle Play-Modus oder im Program Play-Modus wiederholt wiedergeben (siehe Seite 15).



- 1 Stellen Sie FUNCTION auf CD.
- 2 Drücken Sie PLAY MODE so oft, bis der gewünschte Repeat Play-Modus im Display erscheint.

Zur wiederholten Wiedergabe	Wählen Sie
eines einzelnen Titels	REP 1
aller Titel	REP ALL
der Titel in willkürlicher Reihenfolge	SHUF REP
programmierter Titel	PGM REP

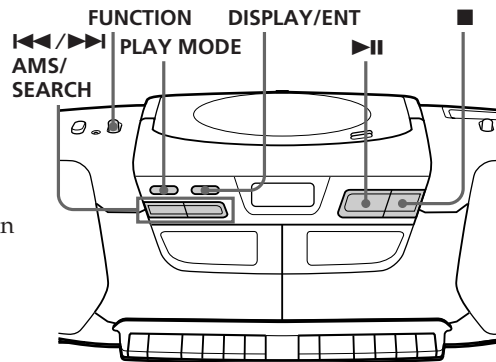
- 3 Starten Sie Repeat Play:
  - **Wenn Sie REP1 gewählt haben**, wählen Sie den Titel, indem Sie ►► oder ◀◀ AMS/SEARCH und dann ►◄ drücken.
  - **Wenn Sie REP ALL und SHUF REP gewählt haben**, drücken Sie ►◄.
  - **Wenn Sie PGM REP gewählt haben**, stellen Sie ein Programm zusammen (siehe Schritt 3 auf Seite 15) und drücken anschließend ►◄ drücken.

#### So beenden Sie Repeat Play

Drücken Sie PLAY MODE, bis "REP" nicht mehr im Display angezeigt wird.

## Erstellen eines eigenen Programms (Program Play)

Sie können die Reihenfolge festlegen, in der die Titel auf einer CD wiedergegeben werden sollen.

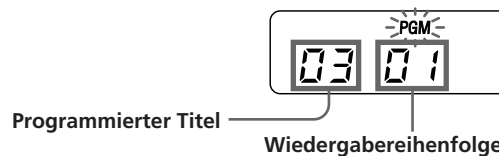


Der CD-Player

### Tips

- Sie können ein Programm wiederholt wiedergeben, da das Programm im Player gespeichert wird, bis Sie das CD-Fach öffnen oder FUNCTION umstellen.
- Das aktuelle Programm wird gelöscht, wenn Sie FUNCTION anders einstellen oder das CD-Fach öffnen.
- Sie können ein selbst zusammengestelltes Programm aufnehmen. Wenn Sie das Programm erstellt haben, legen Sie ein unbespieltes Band ein in Deck B und starten die Aufnahme mit ● am Deck B.

- 1 Stellen Sie FUNCTION auf CD.
- 2 Drücken Sie PLAY MODE, bis "PGM" im Display erscheint.
- 3 Drücken Sie ►► oder ◀◀ AMS/SEARCH und dann DISPLAY/ENT, um die gewünschten Titel in der gewünschten Reihenfolge zu programmieren. Sie können bis zu 20 Titel programmieren.



- 4 Drücken Sie ►►, um Program Play zu starten.

### So brechen Sie Program Play ab

Drücken Sie PLAY MODE, bis "PGM" nicht mehr im Display angezeigt wird.

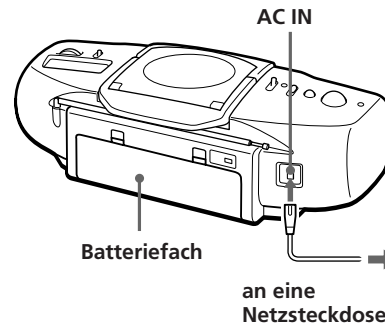
### So ändern Sie das aktuelle Programm

Drücken Sie ■ einmal, wenn gerade keine CD wiedergegeben wird, oder zweimal, wenn gerade eine CD wiedergegeben wird. Das aktuelle Programm wird gelöscht. Danach können Sie anhand des oben beschriebenen Programmierverfahrens ein neues Programm erstellen.

## Auswählen der Stromquellen

Sie können das Gerät an den Netzstrom anschließen oder es über Batterien betreiben.

Da der Stromverbrauch beim Aufnehmen relativ hoch ist, empfiehlt es sich, das Gerät während der Aufnahme am Netzstrom zu betreiben.



### Tip

**Nur für Geräte, die mit einem Zwischenstecker ausgestattet sind:**

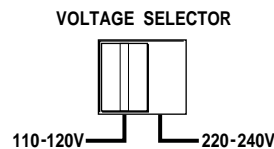
Verwenden Sie den mitgelieferten Zwischenstecker, wenn der Netzkabelstecker nicht in die Netzsteckdose paßt.

### Anschließen des Netzkabels

Verbinden Sie ein Ende des mitgelieferten Netzkabels mit der Buchse AC IN an der Rückseite des Geräts und das andere Ende mit einer Netzsteckdose.

### Einstellen der Betriebsspannung (nur CFD-DW222)

Achten Sie darauf, daß der Spannungswählschalter (VOLTAGE SELECTOR) an der Unterseite auf die örtliche Stromversorgung eingestellt ist.



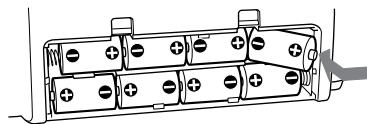
### Tip

Wechseln Sie die Batterien aus, wenn die Anzeige OPR/BATT schwächer wird oder das Gerät nicht mehr betrieben werden kann. Ersetzen Sie immer alle Batterien durch neue. Achten Sie darauf, vor dem Austauschen der Batterien die CD aus dem Player zu nehmen.

### Betrieb des Geräts mit Batterien

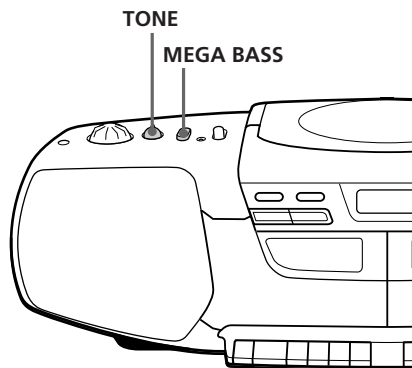
Legen Sie acht R20-Batterien (Größe D) (nicht mitgeliefert) in das Batteriefach ein.

Wollen Sie das Gerät mit Batteriestrom betreiben, lösen Sie das Netzkabel.



## Einstellen der Klangbetonung (TONE/MEGA BASS)

Sie können den Klang einstellen und die Bässe verstärken.



### Einstellen des Klangs

Drehen Sie den Regler TONE.

Drehen Sie den Regler im Uhrzeigersinn, um die Höhen zu betonen, und gegen den Uhrzeigersinn, um die Tiefen zu betonen.

### Verstärken der Bässe

Drücken Sie MEGA BASS.

Um wieder zur normalen Klangeinstellung zurückzukehren, drücken Sie die Taste erneut.



## Sicherheitsmaßnahmen

### Sicherheit

- Der Laser-Strahl, den dieses Gerät generiert, schädigt die Augen. Versuchen Sie daher nicht, das Gehäuse zu öffnen. Überlassen Sie Wartungsarbeiten stets nur qualifiziertem Fachpersonal.
- Sollten Fremdkörper oder Flüssigkeiten in das Gerät gelangen, trennen Sie es von der Netzsteckdose, und lassen Sie es von qualifiziertem Fachpersonal überprüfen, bevor Sie es wieder benutzen.

### Stromquellen

- Überprüfen Sie bei Netzbetrieb, ob die Betriebsspannung des Geräts der örtlichen Stromversorgung entsprechend eingestellt ist (siehe "Technische Daten"). Verwenden Sie ausschließlich das mitgelieferte Netzkabel. Der Spannungswählschalter befindet sich an der Unterseite des Geräts (nur CFD-DW222).
- Das Gerät bleibt auch in ausgeschaltetem Zustand mit dem Stromnetz verbunden, solange das Netzkabel mit der Netzsteckdose verbunden ist.
- Bei Batteriebetrieb verwenden Sie acht R20-Batterien (Größe D).
- Wenn das Gerät nicht über Batterien betrieben werden soll, nehmen Sie die Batterien heraus, damit nicht durch auslaufende oder korrodierende Batterien Schäden entstehen.
- Das Typenschild mit Angaben zur Betriebsspannung, Leistungsaufnahme etc. befindet sich an der Unterseite.

### Aufstellort

- Stellen Sie das Gerät nicht in der Nähe von Wärmequellen oder an einem Ort auf, an dem es direkter Sonneneinstrahlung, übermäßiger Staubentwicklung oder mechanischen Stößen ausgesetzt ist.
- Stellen Sie den Player nicht auf eine geneigte oder unebene Oberfläche.
- Lassen Sie seitlich am Gerät 10 mm frei. Die Ventilationsöffnungen dürfen nicht blockiert werden, andernfalls können Betriebsstörungen auftreten, und die Lebensdauer der Komponenten kann sich verringern.
- Wenn Sie das Gerät in einem in der Sonne geparkten Wagen lassen, stellen Sie es an einen Platz, an dem es nicht direkter Sonneneinstrahlung ausgesetzt ist.
- Da die Lautsprecher mit einem starken Magneten arbeiten, müssen Kreditkarten mit Magnetstreifen und Uhren mit Federwerk ferngehalten werden, da sie sonst beschädigt werden können.

### Betrieb

- Wird das Gerät direkt von einem kalten in einen warmen Raum gebracht oder in einem sehr feuchten Raum aufgestellt, kann sich auf den Linsen im CD-Player Feuchtigkeit niederschlagen. In diesem Fall funktioniert der CD-Player unter Umständen nicht mehr richtig. Nehmen Sie die CD heraus, und lassen Sie das Gerät etwa eine Stunde lang stehen, bis die Feuchtigkeit verdunstet ist.
- Wurde der Player längere Zeit nicht benutzt, schalten Sie ihn zum Aufwärmen einige Minuten in den Wiedergabemodus, bevor Sie eine Kassette einlegen.

Wenn Sie Fragen zum Player haben oder Probleme damit auftreten, wenden Sie sich bitte an Ihren Sony-Händler.

### Hinweise zu CDs

- Vor der Wiedergabe reinigen Sie die CDs mit einem Reinigungstuch. Wischen Sie dabei von der Mitte nach außen.



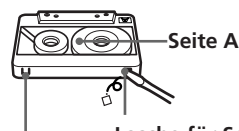
- Verwenden Sie keine Lösungsmittel wie Benzin, Verdünner, handelsübliche Reinigungsmittel oder Antistatikspray für Schallplatten.

- Setzen Sie CDs nicht direktem Sonnenlicht oder Wärmequellen wie Warmluftauslässen aus. Lassen Sie sie auch nicht in einem in der Sonne geparkten Wagen, da die Temperaturen im Wageninneren stark ansteigen können.
- Kleben Sie kein Papier und keine Aufkleber auf die CD, und zerkratzen Sie die Oberfläche der CD nicht.
- Legen Sie die CDs nach der Wiedergabe immer in ihre Hülle zurück.

Befinden sich auf der Oberfläche einer CD Kratzer, Schmutz oder Fingerabdrücke, kann es zu Fehlern bei der Spurführung kommen.

### Hinweise zu Kassetten

- Wenn Sie verhindern möchten, daß eine Kassette versehentlich überspielt wird, brechen Sie die Überspielschutzlasche von Seite A oder B ab. Wenn Sie die Kassette später doch überspielen möchten, überkleben Sie die Öffnung mit Klebeband.



- Um auf einer Kassette mit abgebrochener Lasche aufzunehmen, überkleben Sie die Aussparung für Seite A oder B mit Klebeband.
- Kassetten mit einer Spieldauer von mehr als 90 Minuten sollten im allgemeinen nicht verwendet werden. Verwenden Sie solche Kassetten nur für langes, ununterbrochenes Aufnehmen und Wiedergeben.

Zusätzliche Informationen | 19<sup>D</sup>

# Störungsbehebung

	Symptom	Abhilfe
Allgemeines	Das Gerät läßt sich nicht einschalten.	<ul style="list-style-type: none"> <li>• Schließen Sie das Netzkabel richtig an.</li> <li>• Achten Sie darauf, daß die Batterien richtig eingelegt sind.</li> <li>• Tauschen Sie alle Batterien gegen neue aus, wenn die Batterien erschöpft sind.</li> </ul>
	Es ist kein Ton zu hören.	<ul style="list-style-type: none"> <li>• Der Wählschalter FUNCTION muß zur Wiedergabe auf die gewünschte Komponente eingestellt sein.</li> <li>• Erhöhen Sie die Lautstärke.</li> <li>• Lösen Sie die Kopfhörer vom Gerät, wenn Sie über Lautsprecher hören möchten.</li> </ul>
	Der Ton ist schwach oder von schlechter Qualität.	<ul style="list-style-type: none"> <li>• Wenn die Batterien schwach sind, ersetzen Sie alle Batterien durch neue.</li> <li>• Stellen Sie das Gerät weiter vom Fernsehgerät entfernt auf.</li> </ul>
Radio	Das Fernsehbild ist instabil.	<ul style="list-style-type: none"> <li>• Beim UKW-Empfang über eine Innenantenne kann diese Störung auftreten, wenn das Gerät in der Nähe des Fernsehgeräts aufgestellt ist. Stellen Sie das Gerät weiter vom Fernsehgerät entfernt auf.</li> </ul>
CD-Player	Die CD wird nicht wiedergegeben/ "00 -- --" leuchtet im Display, obwohl eine CD eingelegt wurde.	<ul style="list-style-type: none"> <li>• Das CD-Fach muß geschlossen sein.</li> <li>• Legen Sie die CD mit der beschrifteten Seite nach oben ein.</li> <li>• Reinigen Sie die CD.</li> <li>• Nehmen Sie die CD heraus, und lassen Sie das CD-Fach ca. eine Stunde geöffnet, bis die Feuchtigkeit verdunstet ist.</li> <li>• Der Wählschalter FUNCTION muß auf CD stehen.</li> </ul>
	Der Ton setzt aus.	<ul style="list-style-type: none"> <li>• Verringern Sie die Lautstärke.</li> <li>• Reinigen Sie die CD, oder ersetzen Sie sie, wenn sie stark beschädigt ist.</li> <li>• Stellen Sie das Gerät an einem vor Vibrationen geschützten Ort auf.</li> </ul>

20<sup>D</sup> | Zusätzliche Informationen

CFD-222L/DW222.E.G.\_3-858-169-3X.CED.CEK.EE1.E23.EA1.JEC

	Symptom	Abhilfe
<b>Kassetendeck</b>	Die Kassette läuft nicht, wenn eine Bandlauftaste gedrückt wird.	<ul style="list-style-type: none"> <li>• Schließen Sie das Kassettenfach richtig.</li> </ul>
	Die Taste REC ● funktioniert nicht/die Kassette wird nicht wiedergegeben.	<ul style="list-style-type: none"> <li>• Die Überspielschutzlasche muß intakt sein.</li> </ul>
	Die Kassette wird nicht vollständig gelöscht.	<ul style="list-style-type: none"> <li>• Reinigen Sie die Löschköpfe (siehe Seite 22).</li> <li>• Wenn die Batterien schwach sind, ersetzen Sie alle Batterien durch neue.</li> </ul>
	Die Kassette läßt sich nicht bespielen.	<ul style="list-style-type: none"> <li>• Achten Sie darauf, daß die Kassette richtig eingelegt ist.</li> <li>• Achten Sie darauf, daß die Überspielschutzlasche nicht von der Kassette entfernt wurde.</li> </ul>
	Der Ton ist schwach oder von schlechter Qualität.	<ul style="list-style-type: none"> <li>• Reinigen Sie Tonköpfe, Andruckwalze und Kapstan (siehe Seite 22).</li> <li>• Entmagnetisieren Sie die Tonköpfe mit einer Entmagnetisierungskassette (siehe Seite 22).</li> </ul>
	Der Ton ist verzerrt.	<ul style="list-style-type: none"> <li>• Eine Kassette des Typs TYPE II (High Position) oder TYPE IV (Metall) wird verwendet. Verwenden Sie ausschließlich Kassetten des Typs TYPE I (normal).</li> </ul>

Wenn sich ein Problem anhand dieser Liste nicht beheben läßt, lösen Sie das Netzkabel, und entnehmen Sie alle Batterien. Nachdem alle Anzeigen im Display erloschen sind, schließen Sie das Netzkabel wieder an und legen die Batterien wieder ein. Läßt sich das Problem auch dadurch nicht beheben, wenden Sie sich bitte an Ihren Sony-Händler.

# Wartung

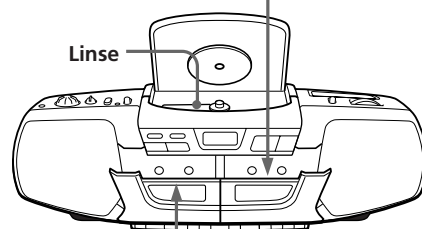
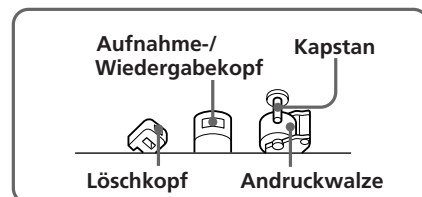
## Reinigen der Linse

Wenn die Linse verschmutzt ist, kann es während der Wiedergabe einer CD zu Tonsprüngen kommen. Reinigen Sie die Linse mit einem handelsüblichen Staubbläser.

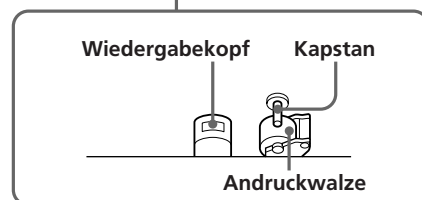
## Reinigen der Tonköpfe und des Bandpfads

Um eine gute Wiedergabe- und Aufnahmequalität sicherzustellen, wischen Sie Tonköpfe, Andruckwalzen und Kapstan nach jeweils 10 Betriebsstunden mit einem Wattestäbchen ab, das Sie leicht mit einer Reinigungsflüssigkeit oder Alkohol angefeuchtet haben. Um eine optimale Aufnahmequalität zu erzielen, empfiehlt es sich, alle Oberflächen, über die das Band transportiert wird, vor jeder Aufnahme zu reinigen.

### Deck B



### Deck A



Lassen Sie die Teile vollständig trocknen, bevor Sie eine Kassette einlegen.

## Entmagnetisieren der Tonköpfe

Nach 20 bis 30 Betriebsstunden hat sich Abrieb des Magnetbands auf den Köpfen abgelagert, der Signalverlust im Hochfrequenzbereich und Rauschen verursachen kann. Entmagnetisieren Sie die Köpfe und alle Metallteile des Bandpfads mit einer im Handel erhältlichen Entmagnetisierungskassette.

## Reinigen des Gehäuses

Reinigen Sie Gehäuse, Bedienfeldabdeckung und Bedienelemente mit einem weichen, leicht mit einem milden Reinigungsmittel angefeuchteten Tuch. Verwenden Sie keine Scheuerschwämme, kein Scheuerpulver und keine Lösungsmittel wie Alkohol oder Benzin.

22<sup>D</sup> Zusätzliche Informationen

CFD-222L/DW222.E.G.\_3-858-169-3X.CED.CEK.EE1.E23.EA1.JEC

# Technische Daten

## CD-Player

System  
 Digitales CD-Audiosystem

Eigenschaften der Laserdiode  
 Material: GaAlAs  
 Wellenlänge: 780 nm  
 Emissionsdauer: kontinuierlich  
 Laser-Ausgangsleistung: unter 44,6 µW  
 (gemessen im Abstand von 200 mm von der  
 Linsenoberfläche am optischen Sensorblock mit  
 einer Öffnung von 7 mm)

Rotationsgeschwindigkeit  
 200 U/min bis 500 U/min (CLV)

Anzahl der Kanäle  
 2

Frequenzgang  
 20 - 20.000 Hz +1/-2 dB

Gleichlaufschwankungen  
 Unterhalb der Meßgrenze

## Radio

Frequenzbereich

### CFD-222L/DW222L

UKW	Italien	87,5 - 108 MHz
	Mittel- und Osteuropa	65 - 108 MHz
	Andere Länder	87,6 - 107 MHz

MW	Italien	526,5 - 1.606,5 kHz
	Andere Länder	531 - 1.602 kHz

LW	Italien	148,5 - 283,5 kHz
	Andere Länder	153 - 279 kHz

### CFD-DW222

UKW	Saudi-Arabien	87,6 - 107 MHz
	Touristenmodell	76 - 108 MHz
	Andere Länder	87,6 - 108 MHz

AM	Touristenmodell	530 - 1.629 kHz
	Andere Länder	530 - 1.605 kHz

IF

UKW: 10,7 MHz  
 AM (MW)/LW: 455 kHz

Antennen

UKW: Teleskopantenne  
 AM (MW)/LW: Eingebaute Ferritstabantenne

## Kassettendeck

Aufnahmesystem  
 4 spurig, 2 Kanäle, stereo

Spuldauer  
 ca. 140 Sek. bei Sony-Kassette C-60

Frequenzgang  
 TYPE I (normal): 70 - 10.000 Hz

## Allgemeines

Lautsprecher  
 Voller Frequenzbereich: 10 cm Durchmesser,  
 4 Ohm, Konus (2)

Ausgänge  
 Kopfhörerbuchsen (Stereominibuchse)  
 für Kopfhörer mit einer Impedanz von 16 - 68 Ohm

Maximale Leistungsabgabe  
 4,5 W + 4,5 W

Betriebsspannung

### CFD-222L/DW222L

Großbritannien 230 - 240 V Wechselstrom, 50 Hz

Andere Länder 220 - 230 V Wechselstrom, 50 Hz

### CFD-DW222

110 - 120 V, 220 - 240 V Wechselstrom 50/60 Hz,  
 umschaltbar

12 V Gleichstrom, 8 R20-Batterien (Größe D)

Leistungsaufnahme  
 26 W Wechselstrom

Batterielebensdauer  
 CD/Radio/Kassettendeck:

### UKW-Aufnahme

R20P von Sony: ca. 13,5 Std.

Alkali-Batterie LR20 von Sony: ca. 19 Std.

### Kassettenwiedergabe

R20P von Sony: ca. 7,5 Std.

Alkali-Batterie LR20 von Sony: ca. 12 Std.

### CD-Wiedergabe

R20P von Sony: ca. 2,5 Std.

Alkali-Batterie LR20 von Sony: ca. 4,5 Std.

Abmessungen

ca. 580 x 164 x 250 mm (B/H/T)  
 (einschl. vorstehender Teile)

Gewicht

ca. 5 kg (einschl. Batterien)  
 Mitgeliefertes Zubehör  
 Netzkabel (1)

Änderungen, die dem technischen Fortschritt dienen,  
 bleiben vorbehalten.

## Zusätzlich erhältliches Zubehör

MDR-Kopfhörerserie von Sony

Zusätzliche Informationen | 23<sup>o</sup>

CFD-222L/DW222.E.G.\_3-858-169-3X.CED.CEK.EE1.E23.EA1.JEC

---

# Index

## A

Aufnehmen auf eine  
Kassette 10  
Auswählen der Stromquelle  
16  
Auswählen von Titeln 5

## B

Batterien für das Gerät 16

## C

CD-Player 12

## D

Display 12

## E

Einstellen  
Klang 17  
Klangbetonung 17  
Entmagnetisieren der  
Tonköpfe 22  
Erstellen eines eigenen  
Programms 15

## K

Klangbetonung 17

## M

MEGA BASS 17

## P

Program Play 15

## R

Radioempfang 6  
Reinigen  
Gehäuse 22  
Tonköpfe und  
Bandtransportweg 22  
Repeat Play 14

## S

Spannungswählschalter 16  
Störungsbehebung 20  
Stromquellen 16

## V

Verbessern des  
Radioempfangs 7  
Vorbereitungen 16

## W

Wiedergabe  
einer CD 4  
einer Kassette 8  
wiederholen 14  
Wiedergeben einer  
bestimmten Passage in  
einem Titel 13

CFD-222L/DW222.E.G.\_3-858-169-3X.CED.CEK.EE1.E23.EA1.JEC



## Free Manuals Download Website

<http://myh66.com>

<http://usermanuals.us>

<http://www.somanuals.com>

<http://www.4manuals.cc>

<http://www.manual-lib.com>

<http://www.404manual.com>

<http://www.luxmanual.com>

<http://aubethermostatmanual.com>

Golf course search by state

<http://golfingnear.com>

Email search by domain

<http://emailbydomain.com>

Auto manuals search

<http://auto.somanuals.com>

TV manuals search

<http://tv.somanuals.com>